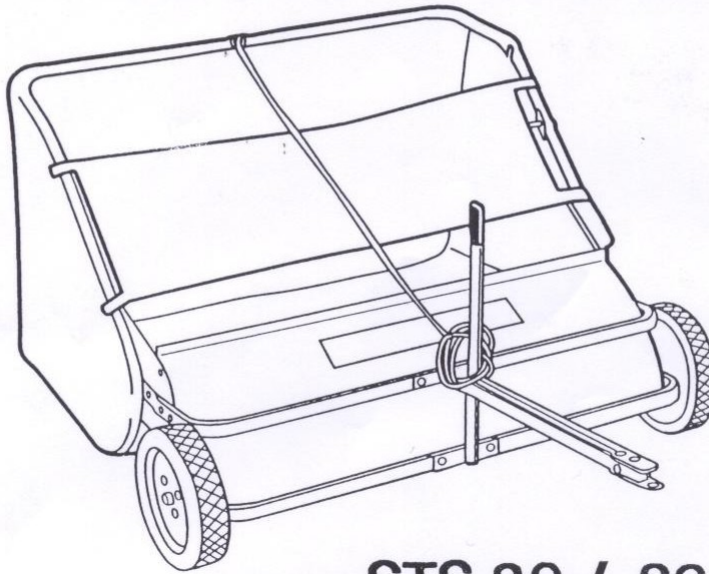


SINCE 1839

BRINLY



OWNER'S MANUAL



STS-30 / 36 BH

SWEEPERS

MODELS STS-300 / 360 BH

"IMPORTANT: THIS MANUAL CONTAINS INFORMATION FOR THE SAFETY OF PERSONS AND PROPERTY. READ IT CAREFULLY BEFORE ASSEMBLY AND OPERATION OF THE EQUIPMENT!"

LIMITED WARRANTY

Brinly-Hardy Company warrants only to the original retail purchaser that this product will remain free of defects in workmanship and materials under normal use and service for a period of two (2) years (NOTE: ninety (90) days for commercial or rental use) commencing with the date of purchase.

Any parts found to be defective within the warranty period will be replaced, with proof of date of purchase, at Brinly-Hardy Company's expense. Our obligation under this warranty is expressly limited to replacement or repair, at our option of parts which are defective in material or workmanship within thirty (30) days of receipt of the parts. This warranty does not apply to damage caused by unreasonable use, including failure to provide necessary maintenance, nor does it apply to any transportation or labor charges.

WE MAKE NO OTHER EXPRESS WARRANTY NOR IS ANYONE AUTHORIZED TO MAKE ANY ON OUR BEHALF. ANY IMPLIED OR STATUTORY WARRANTIES, INCLUDING ANY WARRANTY OF MERCHANTABILITY OR FITNESS FOR A PARTICULAR PURPOSE, ARE LIMITED TO THE DURATION OF THIS WRITTEN WARRANTY. WE SHALL NOT BE LIABLE FOR CONSEQUENTIAL OR INCIDENTAL DAMAGES OF ANY KIND.

BRINLY-HARDY COMPANY (877) 728-8224

MADE IN U.S.A.

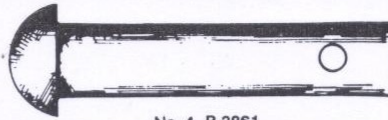
HARDWARE



No. 1 B-1673P
Hex (Lock) Nut, 1/4"



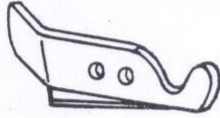
No. 2 B-1674P
Hex Lock Nut, 5/16"



No. 4 B-3861
Drawbar Pin
1/2" x 2-1/4"



No. 8 R-618
Special Washer



No. 9 R-644A-01
Frame Latch



No. 10 R-646
Latch Spring



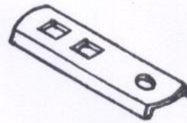
No. 7 D-146P
Hairpin Cotter, 1/8"



No. 54 45M0909P
Flat Washer, 1/4"



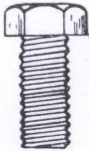
No. 55 45M1111P
Flat Washer, 5/16"



No. 12 R-892-10
Drawbar Clevis



No. 46 2M0832P
Hex Head Bolt
5/16" x 3/4"



No. 47 2M1012P
Hex Head Bolt
5/16" x 3/4"



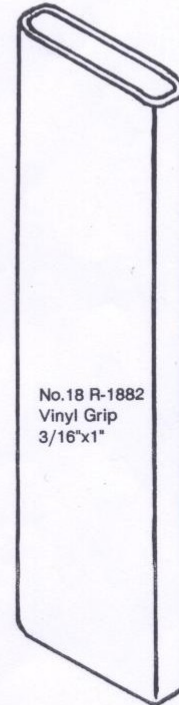
No. 48 2M1016P
Hex Head Bolt
5/16" x 1"



No. 49 1M1020P
Hex Head Bolt
5/16" x 1-1/4"



No. 50 10M1020P
Carriage Bolt
5/16" x 1-1/2"



No. 18 R-1882
Vinyl Grip
3/16" x 1"



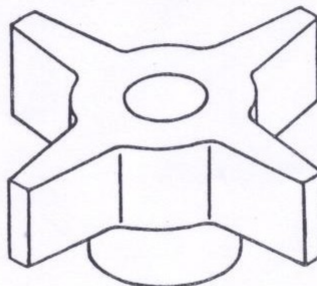
No. 36 R-2225
Hamper Spacer



No. 45 1M0824P
Hex Head Bolt
1/4" x 1-1/2"



No. 51 10M1032P
Carriage Bolt
5/16" x 2"



No. 37 F-782
Adjusting Knob



No. 53 30M1200P
Hex Nut, 3/8"

ASSEMBLY

NOTES

It is recommended that you **CAREFULLY READ** this Owner's Manual **BEFORE STARTING ASSEMBLY OF THE UNIT.**

Before starting assembly, arrange each kind of hardware into a group to ease assembly. Lock Nuts must be used where specified. They have a slightly oblong hole and are domed on one end. References to the right and left are made while standing at the rear of the unit and facing forward.

HOUSING ASSEMBLY

Refer to Figure 1

Remove Brush Housing Assembly from carton.

IMPORTANT

Wheel Support Tube (41) is out of position for packaging purposes. Rotate Wheel Support Tube (and wheels) UP and align with "5" (High) position on Height Adjust Decal (25) located at lower right corner of Brush Housing before beginning assembly.

This Sweeper is designed to fit all lawn and Garden Tractors having wide range of Drawbar heights. Measure your Tractor Drawbar height and select Mounting Holes for Tow Bar Support Tube (40) and Baffle (32) as shown in Inset "A" and described in Chart below:

Tractor Drawbar Height	Towbar Location	Hamper Leveling
7" to 8"	B	1
8" to 9"	B	3
9" to 10"	C	1
10" to 11"	C	3
11" to 12"	D	1

● Attach Baffle (32) to the mounting holes at rear of Housing Assembly (33) selected from Chart above using two 5/16"x3/4" Hex Bolts (47) and Hex Lock Nuts (2). Tighten securely.

● Slide Towbar Tube (40) over front of Housing Assembly (33). Decals are at front of Housing Assembly. Push back until slots in Towbar Tube are near adjusting holes in rear of Housing. Select mounting hole required for your Tractor from Chart above and attach using two 5/16"x3/4" Hex Bolts (47), 5/16" Flat Washers (55-next to slots) and hex Lock Nuts (2). Do not tighten.

● Insert a 5/16"x1" Hex Bolt (48) in both front mounting holes of Towbar Tube and Housing Assembly to align holes (do not put nuts on yet). Tighten rear 5/16"x3/4" Hex Bolts and Lock Nuts previously assembled.

● Fasten the two Hamper Support Bars (35- with offsets out), to inside of Housing Assembly. Use 5/16"x1" Hex Bolts (48) previously inserted in front mounting holes and 5/16"x3/4" Hex Bolts (47) in upper holes. Secure with four 5/16" Hex Lock Nuts (2), tightened securely.

TOOLS REQUIRED FOR ASSEMBLY:

- (2) 7/16" Wrenches
- (2) 1/2" Wrenches
- (2) 9/16" Wrenches
- OR
- (2) Adjustable Wrenches

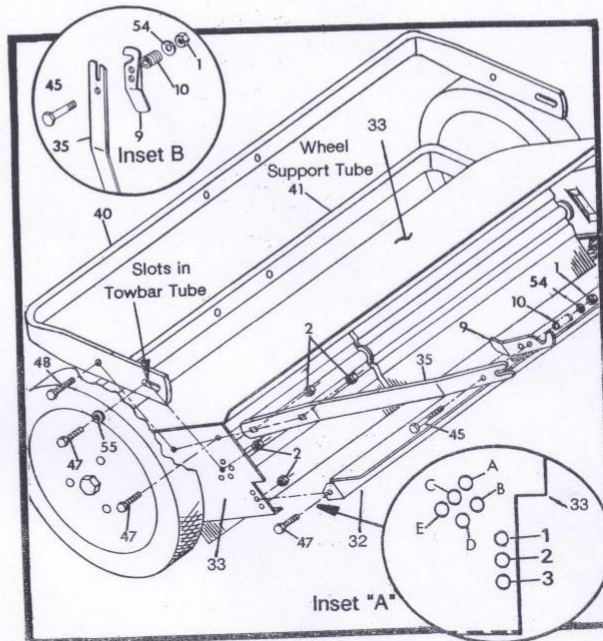


Fig. 1

● Refer to Inset B. Install a Frame Latch (9) to inside of each Hamper Support Bar (35) using 1/4"x1-1/2" Hex Bolt (45- assembled from Outside), through Frame Latch (9- hole nearest slot opening), Latch Spring (10), 1/4" Flat Washer (54), and 1/4" Hex Lock Nut (1). Tighten until Spring is flattened to about 1/2" long.

TOWBAR ASSEMBLY

Refer to Figure 2

● Assemble the Towbar Assembly (43) to the Towbar Support Tube (40- upper rectangular tube). Secure with two 5/16x1-1/4" Hex Bolts (49), Special (thick) Washers (8) at rear of tube, and 5/16" Hex Lock Nuts (2). Tighten securely.

NOTE: Towbars may need to be spread apart slightly for the following assembly.

● Slide the Handle Assembly (42) between opening in Towbar Assembly (43) and position it on Wheel Support Assembly (41- lower rectangular tube). Attach with two

5/16"x1-1/4" Hex Bolts (49), Special (thick) Washers (8) at rear of tube, and 5/16" Hex Lock Nuts (2). Tighten securely.

▶ Assemble the two Drawbar Clevis Straps (12) above and below the front of Towbar Assembly bars(43), using two 5/16"x2" Carriage Bolts (51- Bolts fit **BETWEEN** Towbar openings) and 5/16" Hex Lock Nuts (2). Do not tighten at this time.

▶ Insert a 5/16"x1-1/4" Carriage Bolt (50) through square holes at front of Towbar, **between** the two Carriage Bolts (51) previously installed. Secure with a 5/16" Hex Lock Nut (2). Slide the Drawbar Clevis Straps (12) **forward** as far as possible and tighten all three bolts securely.

▶ Insert a 5/16"x1-1/4" Carriage Bolt (50) through long slot in Towbar assembly (43), at back of Handle Assembly (42). Attach with large, plastic Adjusting Knob (37). This is used to adjust Brush Height and will be explained in Operations Section.

▶ Slide the Handle Grip (18) on end of Handle Assembly (42).
 Note: Soapy water will ease assembly of Grip.

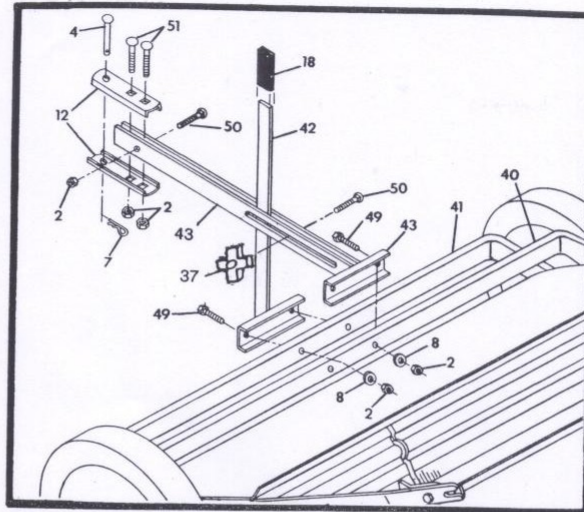


Fig. 2

HAMPER ASSEMBLY
 Refer to Figure 3

Carefully slide a Rear Hamper Tube (13) through the **PPER** seam of Hamper (38) and lay the other Rear Hamper Tube (13) on the Hamper base.

Push the 3/8" diameter Stop Rod (14) through the formed plastic guide on the front edge of Hamper base and thread 3/8" Hex Nut (53) approximately 3/4" on each end of Rod.

Slide Upper Tubes (29-with two bends) through seams at each side of Hamper- straight ends to top of Hamper.

Insert straight ends of Upper Tubes (29) into the (upper) Rear Tube (13) until small holes in underside of tubes align.

Insert the straight ends of (lower) Side Tubes (31) into (lower) Side Tube until small holes in tubes align.

Align the holes in the flattened ends of Upper and Lower Side Tubes (29 & 31). Insert each end of Stop Rod (14) through one pair of these holes. It is necessary to rotate the side tubes outward to complete this assembly.

Secure each side with one 3/8" Hex Lock Nut (57)- tighten both sides at the same time. Tighten securely. Snap the Buttons at each side of Hamper at lower front corners.

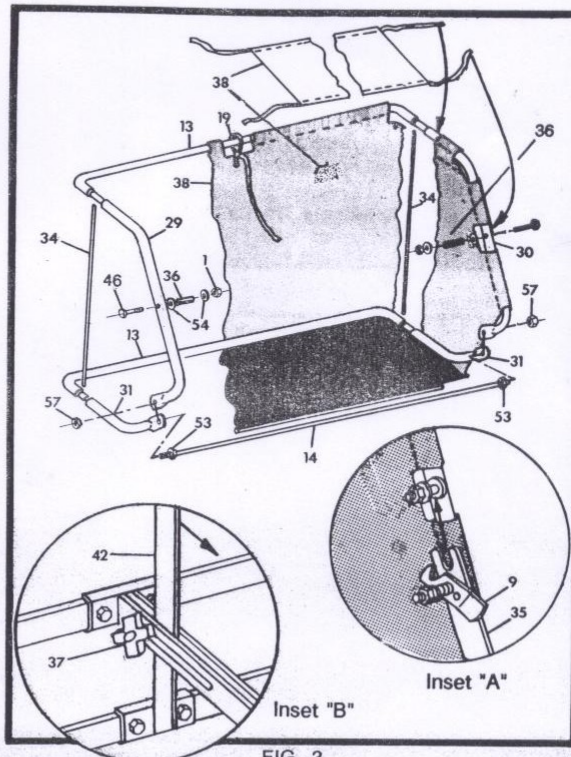


FIG. 3

● Open Hamper (38), tightening Hamper material, and align the small holes in the Rear Hamper Tubes (13) with holes in Upper and Lower Side Tubes (29, & 31).

● Insert the 3/16" Hamper (Spring) Rods (34) in the small holes located in the **BOTTOM** assembly and flex (bow out) each Rod while inserting in the matching holes in underside of Top Tube Assembly.

- Insert 1/4" x 2" Hex Bolts (46- from OUTSIDE OF Hamper) into holes at both sides in Upper Side Tubes (29). Assemble a 1/4" Flat Washer (54- inside Hamper), Hamper Spacer (36), another 1/4" Flat Washer (54) and secure with 1/4" Hex Lock Nut (1). Tighten securely- DO NOT OVER TIGHTEN, can cause Tube to collapse.

- Complete this assembly by tightening all fasteners securely.

- Open the Frame Latches (9) and place Hamper over Support Bars (35) and position the Hamper (Spacers) into slots (see Inset "A"-Fig. 3). Close Latches to retain.

- Tie the Windscreen (38) to Hamper Frame as shown in Figure 3 (ties to both sides of Frame).

- Tie the Hamper Pull Rope (19) around Rear Hamper Tube (13) at cut-out. Rope can be tied to tractor seat or fender for easy access.

- Pull forward on Rope- Hamper must pivot freely. Check all fasteners for proper tightness. Your Sweeper is now ready for use.

ADJUSTMENTS

Attach the Sweeper to your Tractor Drawbar using the 1/2" Hitch Pin (4) and Hairpin Cotter (7) supplied. Tie the end of Pull Rope (19- attached to Hamper) to a convenient location at rear of Tractor. Move Tractor and Sweeper to a flat area (driveway, garage, etc.). Refer to chart in Figure 1 to make sure your Sweeper is assembled properly for your Tractor Drawbar Height.

HAMPER LEVELING

- Observe the ground clearance at rear of Hamper with Sweeper in operating position. The Hamper should be between 3" and 5" from ground. If adjustment is required, refer to Figure 1 and select Hamper Leveling mounting hole required. Number 1 hole is for lowering Hamper to ground clearance; number 3 hole is for increasing hamper to ground clearance.

BRUSH HEIGHT

Refer to Figure 3, Inset "B"

- Adjust Brush Tip height (from ground) by loosening plastic Adjusting Knob (37) and pulling FORWARD on handle Assembly (42) to RAISE brushes or push Handle BACK to LOWER brushes to obtain desired height:

LOW SETTING--- on ground to 1" above (for smooth surfaces such as driveways, parking lots, sidewalks).

MEDIUM SETTING- 1" to 3" above ground (for mowed lawns under normal conditions or light leaves).

HIGH SETTING--- 3" to 6" above ground (for high grass, heavy leaves, or heavy grass clippings).

IMPORTANT: Excessive Wheel slippage is caused by having the brushes too low for sweeping conditions. For maximum performance, always operate Sweeper with the brushes adjusted as high as possible for sweeping conditions.

OPERATION

OPERATING HINTS

- Remove from area any large objects (such as branches, wood, rocks) that are too big to be picked up by Sweeper.
- Mow lawn before using Sweeper, especially when leaves are present.
- Wind row grass or leaves with side discharge mower before sweeping.
- For best results, sweep only when turf conditions are dry.
- When sweeping heavy amounts of leaves or grass clippings, always start with Sweeper Brushes in a higher position and picking up in layers, lowering brushes after each pass.
- To dump load, carefully back to pile and pull on Rope until material is clear of Hamper. Drive Tractor forward.

- To remove Hamper, release both Frame Latches at sides of Hamper and lift out of slotted Hamper Support Bars (35). To fold up for storage, remove the two Hamper Rods (34) at rear and push down.

TRACTOR SPEED

The faster the Tractor speed, the further the material is thrown into Hamper. Operate your Tractor at a speed which will throw material toward rear of Hamper, usually between 3 and 4 M.P.H. (a brisk walk).



CAUTION

When backing, carefully back straight to avoid Jack-knifing, which could result in damage to equipment.

MAINTENANCE

Note: The key to years of trouble-free service is to keep your Sweeper clean and dry.

- Never allow wet material to remain in the Hamper for extended periods of time.
- Occasionally check all moving parts for free movement and if necessary, lubricate with oil.
- Should rust develop, sandpaper lightly and then paint

spot with enamel.

- Periodically check all fasteners for tightness.
- Periodically lubricate Brush Reels with a drop of oil. Apply the oil in both Lubrication Holes (LH). One is located in each Brush Holder Half (21), near the center.

TO ORDER PARTS:
Brinly-Hardy Company
P.O. Box 18
Jeffersonville, IN 47131-0018
(877) 728-8224

