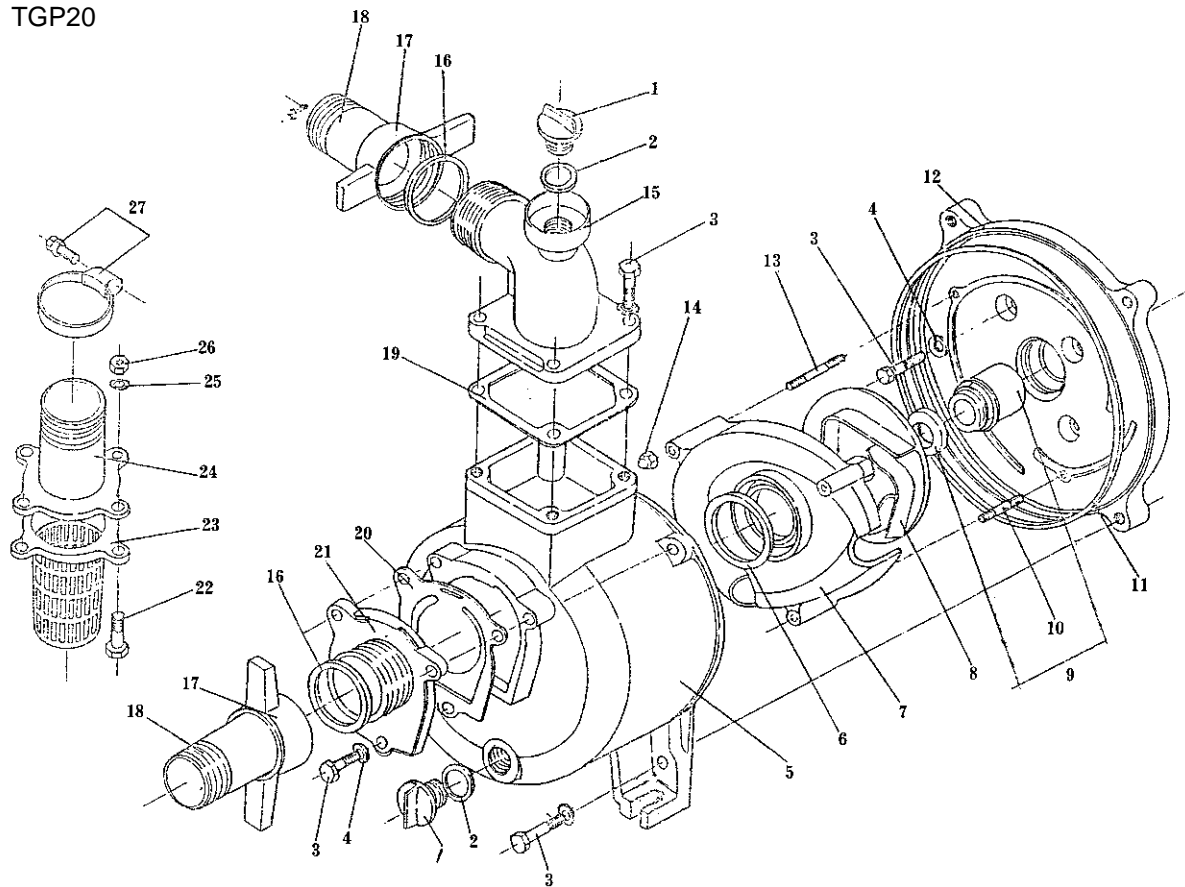


TGP20



| POS | QTY | PARTNUMBER | BESKRIVELSE            | DESCRIPTION        |
|-----|-----|------------|------------------------|--------------------|
| 1   | 2   | 600143     | PROP                   | PLUG               |
| 2   | 2   | 290455     | O-RING 34.5X1.8        | O-RING 34.5X1.8    |
| 3   | 11  | 90102912   | BOLT M8X25             | BOLT M8X25         |
| 3   | 4   | 90102914   | BOLT M8X35             | BOLT M8X35         |
| 4   | 4   | 600144     | PAKNING                | GASKET             |
| 5   | 1   | 600145     | PUMPEHUS               | PUMPHOUSING        |
| 6   | 1   | 600146     | O-RING                 | O-RING             |
| 7   | 1   | 600147     | RETNINGSPLADE          | DIVERSION PLATE    |
| 8   | 1   | 600148     | SKOVLHJUL              | IMPELLER           |
| 9   | 1   | 600149     | PAKNING                | GASKET             |
| 10  | 2   | 600150     | PINBOLT M6X40          | STUD M6X40         |
| 11  | 1   | 290455     | O-RING 34.5X1.8        | O-RING 34.5X1.8    |
| 12  | 1   | 600151     | DÆKSEL                 | COVER              |
| 13  | 1   | 290492     | PINDBOLT AM6X50        | STUD AM6X50        |
| 14  | 3   | 90100661   | MØTRIK M6              | NUT M6             |
| 15  | 1   | 600152     | OUTLET 90 GRADERVINKEL | OUTLET ELBOW       |
| 16  | 2   | 600153     | PAKNING                | GASKET             |
| 17  | 2   | 600154     | FORSKRUENING 2"        | NUT 2"             |
| 18  | 2   | 600155     | SLANGESTUDS 2"         | INLET 2"           |
| 19  | 1   | 600156     | PAKNING                | GASKET             |
| 20  | 1   | 600157     | ENSRETTER / PAKNING    | DOOR / GASKET      |
| 21  | 1   | 600158     | INLET                  | INLET              |
| 22  | 4   | 90102883   | BOLT M6X20             | BOLT M6X20         |
| 23  | 1   | 322002     | SUGEKURV 2"            | SUCTIONBASKET 2"   |
| 24  | 1   | 322002A    | RØR FOR SUGEKURV 2"    | PIPE FOR BASKET 2" |
| 25  | 4   | 90102309   | PLANSKIVE M6           | WASHER M6          |
| 26  | 4   | 90100661   | STÅLMØTRIK M6          | NUT M6             |
| 27  | 2   | 600159     | SPÆNDEBÅND 2"          | HOOP 2"            |
|     |     |            |                        |                    |
|     |     | 600160     | PAKNINGSSÆT            | GASKET ASSY        |