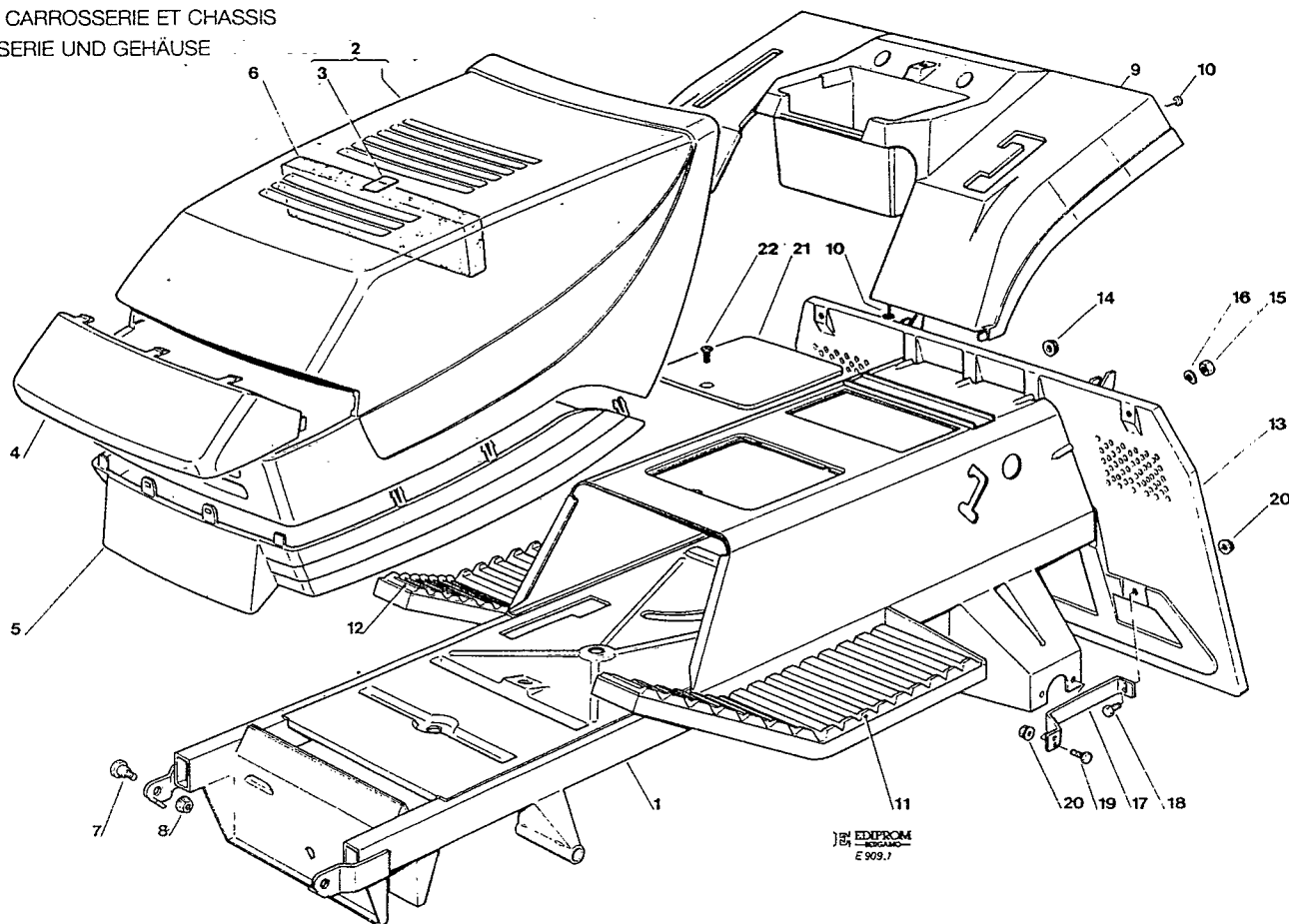


GRUPPO CARROZZERIA E CHASSIS
 BODY AND CHASSIS GROUP
 GROUPE CARROSSERIE ET CHASSIS
 KARROSSERIE UND GEHÄUSE

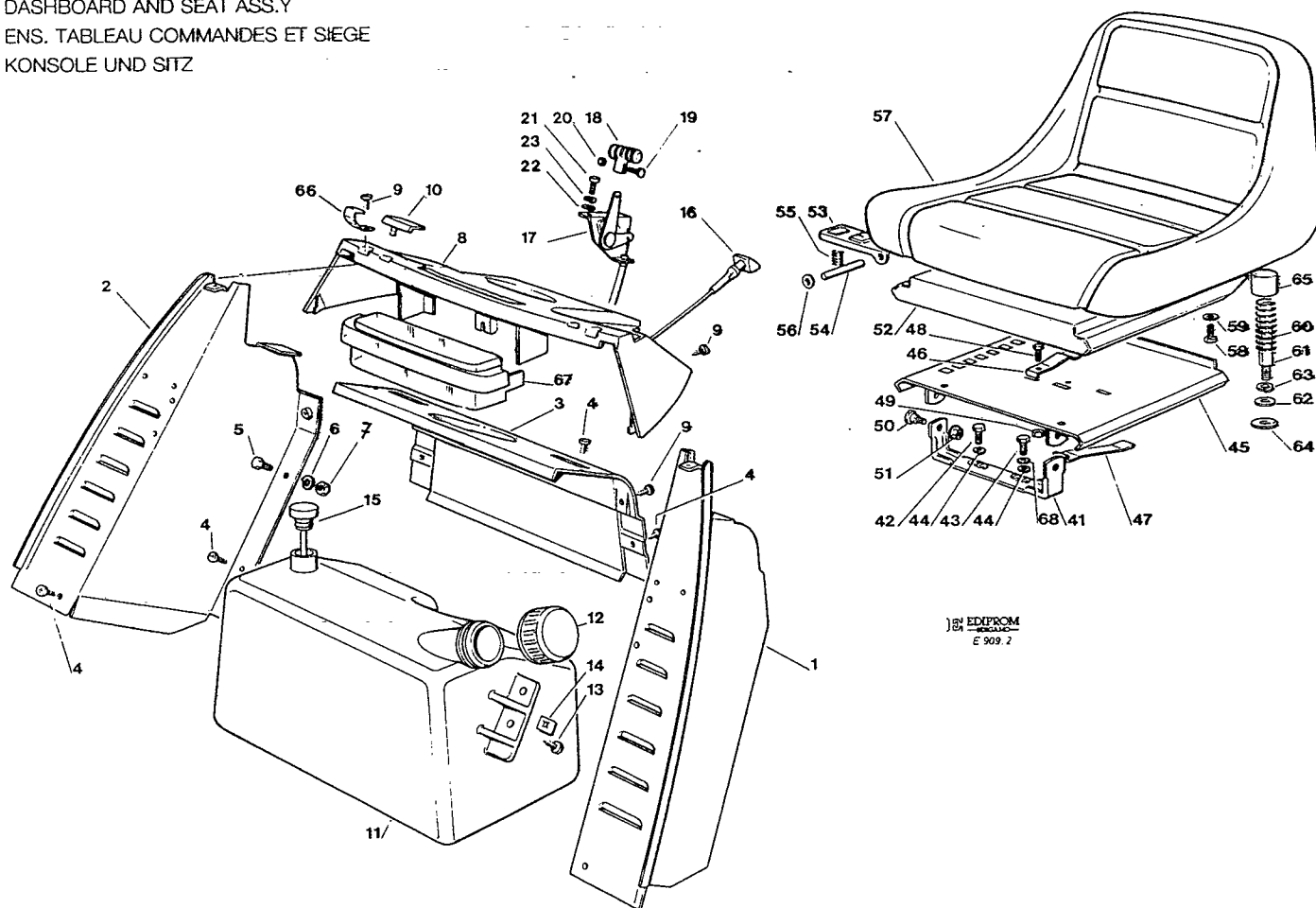
Mod. 1993



Pos. Nr.	Codice Kodex Code	Descrizione	Description	Description	Beschreibung	Q.tà Q.ty Q.té Menge
1	82800005/0	ASS. TELAIO	CHASSIS ASS.Y	ENSEMBLE CHASSIS	RAHMENSATZ	1
2	82076801/0	ASS. COFANO SUPER.	UPPER ENGINE HOOD	ENSEMBLE CAPOT SUP.	OBERHAUBESATZ	1
3	25547016/0	PIASTRINA	PLATE	PLAQUE	PLATTE	1
4	25410858/0	MASCHERINA	GRILL	PANNEAU	SCHUTZ	1
5	25076802/0	COFANO INFERIORE	LOWER ENGINE HOOD	ENSEMBLE CAPOT INF.	UNTERHAUBESATZ	1
6	25730000/0	SEPARATORE ASPIRAZ. (14 HP B&S BICILINDRICO)	INTAKE SEPARATOR (14 HP B&S TWINCYLINDER)	SEPARATEUR ASPIRATION (14 CV B&S BICYLINDRIQUE)	SAUGENABSCHIEDER (14 PS B&S ZWEIZYLINDER)	1
7	25510015/0	PERNO	PIN	PIVOT	BOLZEN	2
8	12155000/0	DADO	NUT	ECROU	MUTTER	2
9	25110157/0	COPERTURA RUOTE	WHEELS COVER	COUVRE-ROUES	RADENKAPPE	1
10	12731350/0	VITE	SCREW	VIS	SCHRAUBE	4
11	25110260/0	COPRIPEDANA SX	LEFT FOOTBOARD COVER	COUVRE MARCHEPIED GAUCHE	LINKE FUSSBRETTDECKEL	1
12	25110261/0	COPRIPEDANA DX	RIGHT FOOTBOARD COVER	COUVRE MARCHEPIED DOITE	RECHTE FUSSBRETTDECKEL	1
13	82547001/0	ASS. PIASTRA POST.	REAR PLATE ASS.Y	ENS. PLAQUE POSTERIEURE	HINTERPLATTESATZ	1
14	12293201/0	DADO	NUT	ECROU	MUTTER	5
15	12295200/0	DADO	NUT	ECROU	MUTTER	2
16	12585100/0	GROWER	GROWER	GROWER	GROWER	2
17	25650021/0	RINFORZO PIASTRA POST.	REAR PLATE STIFFENING	RENFORCEMENT PLAQUE POST.	HINTERPLATTEVERSTA- ERKUNG	2
18	12792610/0	VITE	SCREW	VIS	SCHRAUBE	2
19	12793301/0	VITE	SCREW	VIS	SCHRAUBE	2
20	12293201/0	DADO	NUT	ECROU	MUTTER	4
21	82597120/0	PORTINA	HANDHOLE	GRILLE	GITTER	1
22	12728440/0	VITE	SCREW	VIS	MUTTER	1

GRUPPO CRUSCOTTO E SEDILE
 DASHBOARD AND SEAT ASS.Y
 ENS. TABLEAU COMMANDES ET SIEGE
 KONSOLE UND SITZ

Mod. 1993

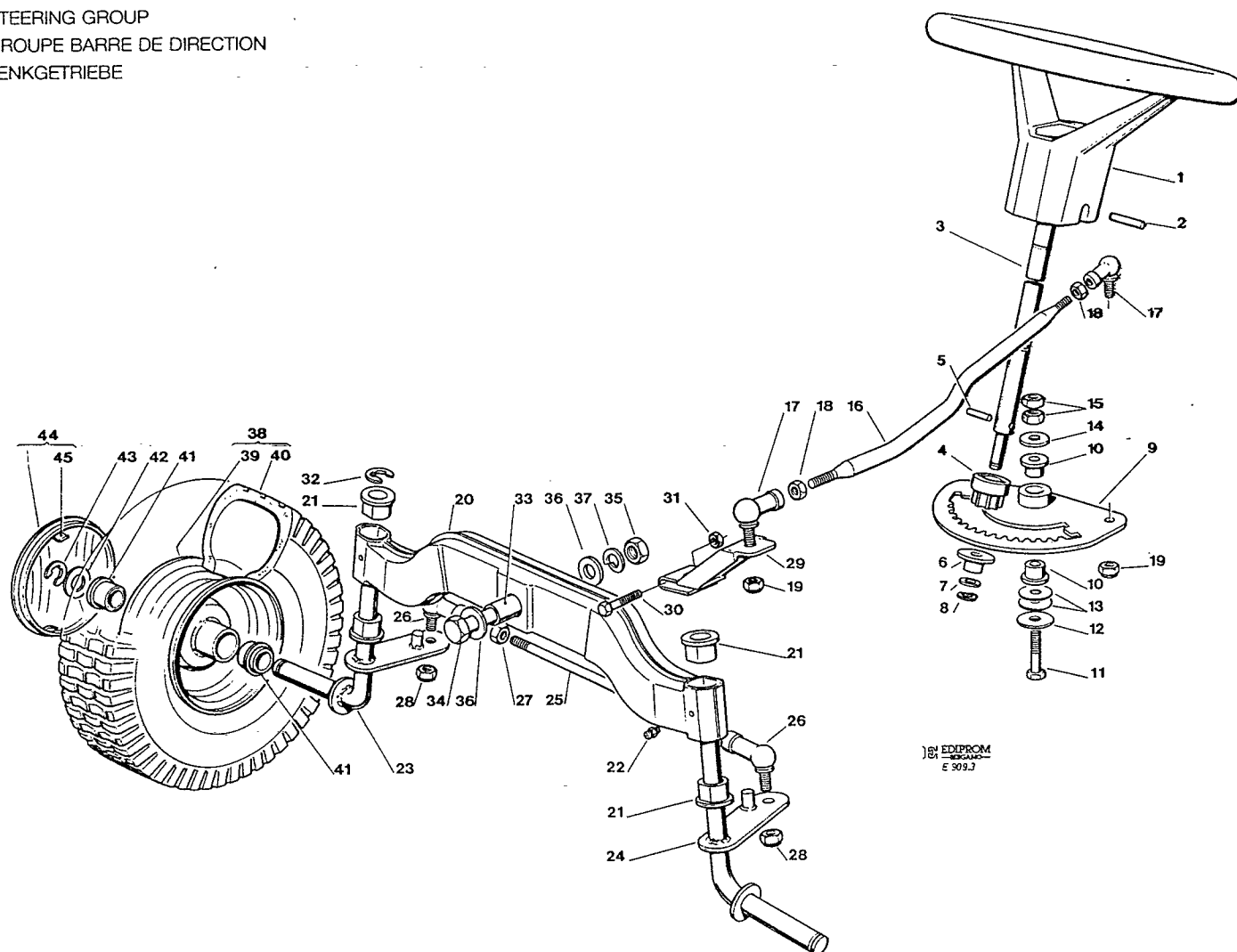


Pos. Nr.	Codice Kodex Code	Descrizione	Description	Description	Beschreibung	Q.tà Q.ty Q.té Menge
1	82785021/0	SUPP. CRUSCOTTO SX	LEFT DASHBOARD SUPP.	SUPPORT TABLEAU GAUCHE	LINKER KONSOLEHALTER	1
2	82785022/0	SUPP. CRUSCOTTO DX	RIGHT DASHBOARD SUPP.	SUPPORT TABLEAU DROITE	RECHTER KONSOLEHALTER	1
3	82785023/0	SUPP. CRUSCOTTO CENTR.	CENTRAL DASHBOARD SUPP.	SUPPORT TABLEAU CENTRAL	ZENTRALER KONSOLE HALTER	1
4	12728440/0	VITE	SCREW	VIS	SCHRAUBE	8
5	12790780/0	VITE	SCREW	VIS	SCHRAUBE	2
6	12582100/0	GROWER	GROWER	GROWER	GROWER	2
7	12292100/0	DADO	NUT	ECROU	MUTTER	2
8	25120144/0	CRUSCOTTO COMANDI	DASHBOARD	TABLEAU COMMANDES	KONSOLE	1
9	12728440/0	VITE	SCREW	VIS	SCHRAUBE	4
10	25260000/0	GOMMINO	GROMMET	PROTECTION	SCHUTZ	2
11	25735110/0	SERBATOIO (12,5 HP)	TANK (12,5 HP)	RESERVOIR (12,5 HP)	TANK (12,5 HP)	1
11A	25735111/0	SERBATOIO (14 HP)	TANK (14 HP)	RESERVOIR (14 HP)	TANK (14 HP)	1
12	25795000/0	TAPPO	CAP	BOUCHON	TANKVERSCHLUSS	1
13	12731350/0	VITE	SCREW	VIS	SCHRAUBE	2
14	12437500/0	PIASTRINA	PLATE	PLAQUE	PLATTE	2
15	25290000/0	INDICATORE LIVELLO (14 HP)	FUEL LEVEL INDICATOR (14 HP)	INDICATEUR NIVEAU (14 HP)	KRAFTSTOFFMESSER (14 HP)	1
16	25090000/0	COMANDO STARTER (14 HP)	STARTER DRIVE (14 HP)	COMMANDE STARTER (14 HP)	STARTER BETAETIGUNG (14 HP)	1
17	82000200/1	ASS. ACCELERATORE (12,5 HP)	ACCELERATOR ASS.Y (12,5 HP)	ENSEMBLE ACCELERATEUR (12,5 HP)	GAS ZUG (12,5 HP)	1
17A	82000201/1	ASS. ACCELERATORE (14 HP)	ACCELERATOR ASS.Y (14 HP)	ENSEMBLE ACCELERATEUR (14 HP)	GAS ZUG (14 HP)	1
18	25394501/0	MANOPOLA	HANDLE	POIGNE	GRIFF	1
19	12726388/0	VITE	SCREW	VIS	SCHRAUBE	1

Pos. Nr.	Codice Kodex Code	Descrizione	Description	Description	Beschreibung	Q.tà Q.tà Q.tà Menge
20	12290800/0	DADO	NUT	ECROU	MUTTER	1
21	12788512/0	VITE	SCREW	VIS	SCHRAUBE	2
22	12521310/0	RONDELLA	WASHER	RONDELLE	SCHEIBE	2
23	12581200/0	GROWER	GROWER	GROWER	GROWER	2
41	82774207/0	STAFFA SUPP. SEDILE	SEAT CLAMP SUPPORT	ETRIER SUPPORT SIEGE	BRIDE F. SITZHALTER	1
42	12793500/0	VITE	SCREW	VIS	SCHRAUBE	1
43	12792610/0	VITE	SCREW	VIS	SCHRAUBE	1
44	12583500/0	GROWER	GROWER	GROWER	GROWER	2
45	82785089/0	ASS- SUPP. SEDILE FISSO	FIXED SEAT SUPP.	SUPPORT SIEGE FIXE	FEST SITZHALTER	1
46	25430203/0	MOLLA ARRESTO	SPRING	RESSORT D'ARRET	RASTFEDER	1
47	25430204/0	MOLLA COMANDO	SPRING	RESSORT DE COMMANDE	FEDER	1
48	12789000/0	VITE	SCREW	VIS	SCHRAUBE	2
49	12154330/0	DADO	NUT	ECROU	MUTTER	2
50	22524970/1	PERNO	PIN	PIVOT	BOLZEN	2
51	12293201/0	DADO	NUT	ECROU	MUTTER	2
52	82785087/0	SUPPORTO SEDILE	SEAT SUPPORT	SUPPORT SIEGE	SITZHALTER	1
53	25318109/0	LEVA ARRESTO	STOP LEVER	LEVIER D'ARRET	ABSTELLHEBEL	1
54	25510000/0	PERNO	PIN	PIVOT	BOLZEN	1
55	25430202/0	MOLLA	SPRING	RESSORT	FEDER	1
56	12604897/0	RONDELLA	WASHER	RONDELLE	SCHEIBE	2
57	25722450/0	SEDILE	SEAT	SIEGE	SITZ	1
58	12793101/0	VITE	SCREW	VIS	SCHRAUBE	4
59	12583500/0	GROWER	GROWER	GROWER	GROWER	4
60	25430205/0	MOLLA	SPRING	RESSORT	FEDER	2
61	25510016/0	PERNO	PIN	PIVOT	BOLZEN	2
62	12521350/0	RONDELLA	WASHER	RONDELLE	SCHEIBE	2
63	12583500/0	GROWER	GROWER	GROWER	GROWER	2
64	12523070/0	RONDELLA	WASHER	RONDELLE	SCHEIBE	2
65	25122000/0	CUFFIA PROTEZ.	HOOD	PROTECTEUR	SCHUTZKASTEN	2
66	25430215/0	MOLLA AGGANCIO	COUPLING SPRING	RESSORT ACCROCHAGE	KUPPLUNGSFEDER	2
67	25600002/0	PROTEZIONE SCHEDA	CARD PROTECTION	PROTECTION DE CARTE	KARTESCHUTZ	1
68	12540060/0	RONDELLA	WASHER	RONDELLE	SCHEIBE	1

GRUPPO STERZO
 STEERING GROUP
 GROUPE BARRE DE DIRECTION
 LENKGETRIEBE

Mod. 1993

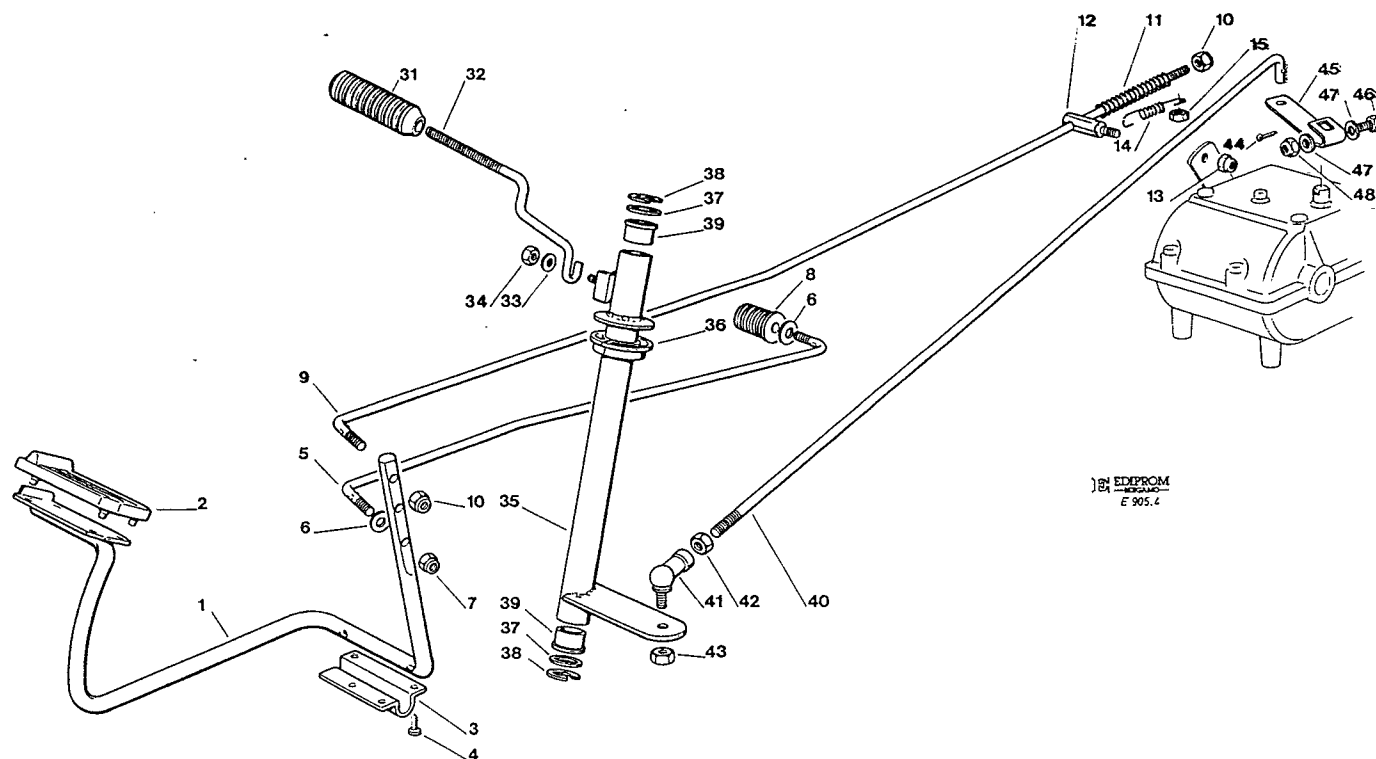


Pos. Nr.	Codice Kodex Code	Descrizione	Description	Description	Beschreibung	Q.tà Q.ty Q.té Menge
1	25961200/0	VOLANTE	STEERING WHEEL	VOLANT	LENKRAD	1
2	12620299/0	SPINA	PIN	GOUILLE	STIFT	1
3	25520000/0	PIANTONE	STEERING COLUMN	TUBE DE DIRECTION	LENKUNGSÄULE	1
4	25570000/0	PIGNONE	PINION	PIGNON	RITZEL	1
5	12622650/0	SPINA	PIN	GOUILLE	STIFT	1
6	25034001/0	BRONZINA	BRASS	COUSSINET	BÜCHSE	1
7	12521370/0	RONDELLA	WASHER	RONDELLE	SCHEIBE	1
8	12436030/0	PIASTRINA	PLATE	PLAQUETTE	PLATTECHEN	1
9	82735504/0	ASS. SETTORE STERZO	STEERING SHAFT ASS.Y	ENSEMBLE ARBRE DIRECTION	LENKUNGSWELLE	1
10	25160001/0	BRONZINA	BRASS	COUSSINET	BÜCHSE	2
11	12692420/0	VITE	SCREW	VIS	SCHRAUBE	1
12	12523090/0	RONDELLA	WASHER	RONDELLE	SCHEIBE	1
13	22672150/0	RONDELLA	WASHER	RONDELLE	SCHEIBE	2
14	25670002/0	RONDELLA	WASHER	RONDELLE	SCHEIBE	1
15	12156602/0	DADO	NUT	ECROU	MUTTER	2
16	25033003/0	ASS. ASTA COMANDO STERZO	STEERING ROD ASS.Y	ENS. LEVIER BARRE DE DIRECTION	LENKUNGSSTAB	1
17	22746600/0	SNODO M10	JOINT M10	JOINT M10	GELENK M10	2
18	12295200/0	DADO	NUT	ECROU	MUTTER	2
19	12156602/0	DADO	NUT	ECROU	MUTTER	2

Pos. Nr.	Codice Kodex Code	Descrizione	Description	Description	Beschreibung	Q.tà Q.ty Q.té Menge
20	82034001/1	BILANCIERE COMPLETO DI BRONZINA ED INGRASSATORE	EQUALIZER WITH BUSH AND LUBRICATOR	BALANCIER AVEC COUSSINET ET GRAISSEUR	KIPPHEBEL MIT BRONZE- LAGER UND FETTBÜCHSE	1
21	25034002/0	BRONZINA	BRASS	COUSSINET ET	BÜCHSE	4
22	12379511/0	INGRASSATORE	GREASE DISPENSER	GRAISSEUR	FETTBÜCHSE	2
23	82230353/0	ASS. FUSELLO DX	R. STUB AXLE ASS.Y	ENSEMBLE FUSEAU DROITE	RECHTER ACHSSCHENKEL	1
24	82230352/0	ASS. FUSELLO SX	L. STUB AXLE ASS.Y	ENSEMBLE FUSEAU GAUCHE	LINKER ACHSSCHENKEL	1
25	25840001/0	TIRANTE	TIE ROD	TIRANT	KUPPLUNG	1
26	22746600/0	SNODO M10	JOINT M10	JOINT M10	GELENK M10	2
27	12295200/0	DADO	NUT	ECROU	MUTTER	2
28	12156602/0	DADO	NUT	ECROU	MUTTER	2
29	82318101/0	ASS. LEVA COMANDO	LEVER ASS.Y	ENSEMBLE LEVIER	HEBEL	1
30	12691700/0	VITE	SCREW	VIS	SCHRAUBE	1
31	12155000/0	DADO	NUT	ECROU	MUTTER	1
32	12001000/0	ANELLO ELASTICO	SNAP RING	ANNEAU RESSORT	SPRENGRING	1
33	25160005/0	DISTANZIALE	SPACER	ENTRETOISE	ENTFERNUNGSSTUECK	1
34	12694100/0	VITE	SCREW	VIS	SCHRAUBE	1
35	12295800/0	DADO	NUT	ECROU	MUTTER	1
36	12521390/0	RONDELLA	WASHER	RONDELLE	SCHEIBE	2
37	12587900/0	GROWER	GROWER	GROWER	GROWER	1
38	82680000/0	RUOTA COMPLETA CON CUSCINETTI (TURF-SAVER)	WHEEL ASS.Y WITH BEARINGS (TURF-SAVER)	ENSEMBLE ROUE AVEC ROULEMENTS (TURF-SAVER)	VORDERRAD MIT KUGEL LAGER (TURF-SAVER)	2
39	82000590/0	ASS. CERCHIO RUOTA ANT.	FRONT RIMM ASS.Y	BANDAGE ROUE ANT.	VORDERRAD FELGER	2
40	25590000/0	PNEUMATICO (TURF-SAVER)	SHOE (TURF-SAVER)	PNEU (TURF-SAVER)	REIFEN (TURF-SAVER)	2
41	25038001/0	BOCCOLA	BUSHING	DOUILLE	BÜCHSE	4
41A	25122200/1	CUSCINETTO	BEARING	ROULEMENT	LAGER	4
42	25670005/0	RONDELLA SPESSORE 1,5 MM	WASHER THICKNEE 1.5 MM	RONDELLE EPAISSEUR 1,5 MM	SCHEIBE DICKE 1,5 MM	2
42A	25670005/1	RONDELLA SPESSORE 2,5 MM	WASHER THICKNEE 2.5 MM	RONDELLE EPAISSEUR 2,5 MM	SCHEIBE DICKE 2,5 MM	2
43	12001000/0	ANELLO ELASTICO	SNAP RING	ANNEAU RESSORT	SPRENGRING	2
44	82110250/0	ASS. COPRIDISCO RUOTA ANTERIORE	FRONT WHEEL COVER ASS.Y	ENS. COUVRE DISQUE ROUE ANTERIEURE	VORDERRAD DECKEL	2
45	25430209/0	MOLLA AGGANCIO	SPRING	RESSORT	FEDER	8

GRUPPO COMANDO CAMBIO E FRENO
 GEARBOX AND BRAKE ASS.Y
 GROUPE BOITE DE VITESSE ET FREIN
 WECHSEL UND BREMSE SATZ

Mod. 1993

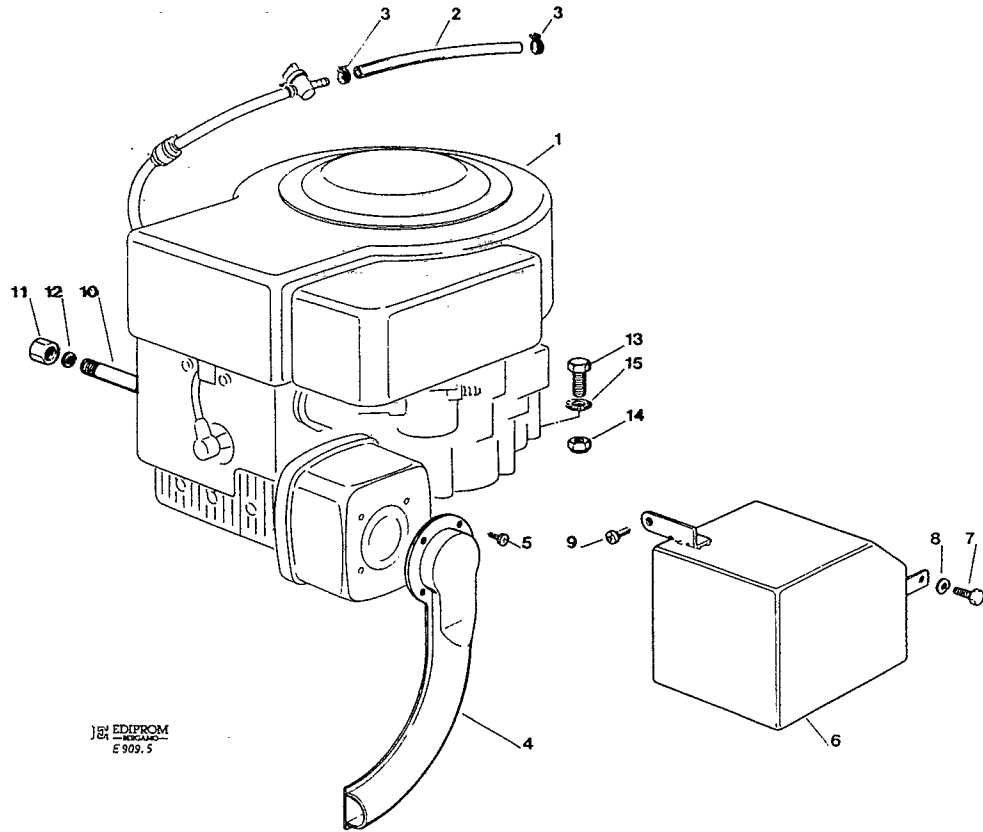


Pos. Nr.	Codice Kodex Code	Descrizione	Description	Description	Beschreibung	Q.tà Q.ty Q.té Menge
1	82500000/0	ASS. PEDALE FRENO	BRAKE PEDAL ASS.Y	ENSEMBLE PEDALE DE FREIN	BREMSPEDAL	1
2	25110262/0	COPRISTAFFA	CLAMP COVER	COUVRE ETRIER	BRIDEDECKEL	1
3	25547012/0	PIASTRINA	PLATE	PLAQUE	PLATTE	1
4	12728510/0	VITE	SCREW	VIS	SCHRAUBE	4
5	25033008/0	ASTA	ROD	BARRE	STANGE	1
6	12521350/0	RONDELLA	WASHER	RONDELLE	SCHIEBE	2
7	12155000/0	DADO	NUT	ECROU	MUTTER	1
8	82394500/0	ASS. MANOPOLA FRENO	BRAKE KNOB ASS.Y	ENS. POIGNEE DE FREIN	BREMSEKNOPF	1
9	25033006/0	ASTA COMANDO FRENO CAMBIO	BRAKE CONTROL ASS.Y	ENSEMBLE CONTROLE FREIN	BREMSE KONTROLLESATZ	1
10	12154510/0	DADO	NUT	ECROU	MUTTER	2
11	25430212/0	MOLLA	SPRING	RESSORT	FEDER	1
12	25510017/0	PERNO	PIN	PIVOT	BOLZEN	1
13	12155000/0	DADO	NUT	ECROU	MUTTER	1
14	25430213/0	MOLLA RICHIAMO FRENO	SPRING BRAKE	RESSORT FREIN	FEDER BREMSE	1
15	12155000/0	DADO	NUT	ECROU	MUTTER	1
31	82394502/0	ASS. MANOPOLA CAMBIO	GEARBOX KNOB ASS.Y	POIGNEE BOITE DE VITESSE	WECHSELGETRIEBE	1
32	25318111/0	LEVA COMANDO CAMBIO	GEARSHIFT	LEVIER CHANGEMENT DE VITESSE	GETRIEBE HEBEL	1
33	25670007/0	RONDELLA	WASHER	RONDELLE	SCHIEBE	1
34	12155000/0	DADO	NUT	ECROU	MUTTER	1
35	82869003/0	ASS. TUBO COMANDO MARCE	SPEED DRIVE TUBE	TUBE COMMANDE CHANGEMENT DE VITESSE	GAENGESCHALTUNG ROHR	1

Pcs. Nr.	Codice Kodex Code	Descrizione	Description	Description	Beschreibung	Q.tà Q.ty Q.té Menge
36	25040602/0	BUSSOLA	BUSH	DOUILLE	BÜCHSE	2
37	25670006/0	RONDELLA	WASHER	RONDELLE	SCHEIBE	2
38	12001000/0	SEEGER	SEEGER	SEEGER	SEEGER	2
39	25040601/0	BUSSOLA	BUSH	DOUILLE	BÜCHSE	2
40	25033004/0	ASTA	ROD	BARRE	STANGE	1
41	22746601/0	SNODO M8	JOINT M8	JOINT M8	GELENK M8	1
42	12293200/0	DADO	NUT	ECROU	MUTTER	1
43	12155000/0	DADO	NUT	ECROU	MUTTER	1
44	12141418/0	COPPIGLIA	COTTER PIN	GOUPILLE	SPLIT	
45	25318117/0	LEVA CAMBIO	GEARSHIFT	LEVIER CHANGEMENT DE VITESSE	GETRIEBE HEBEL	1
46	12689500/0	VITE	SCREW	VIS	SCHRAUBE	1
47	12521330/0	RONDELLA	WASHER	RONDELLE	SCHEIBE	2
48	12154510/0	DADO	NUT	ECROU	MUTTER	1

GRUPPO MOTORE B&S 12,5 HP
 ENGINE B&S 12.5 HP ASS.Y
 GROUPE MOTEUR B&S 12.5 HP
 MOTORSATZ B&S 12,5 PS

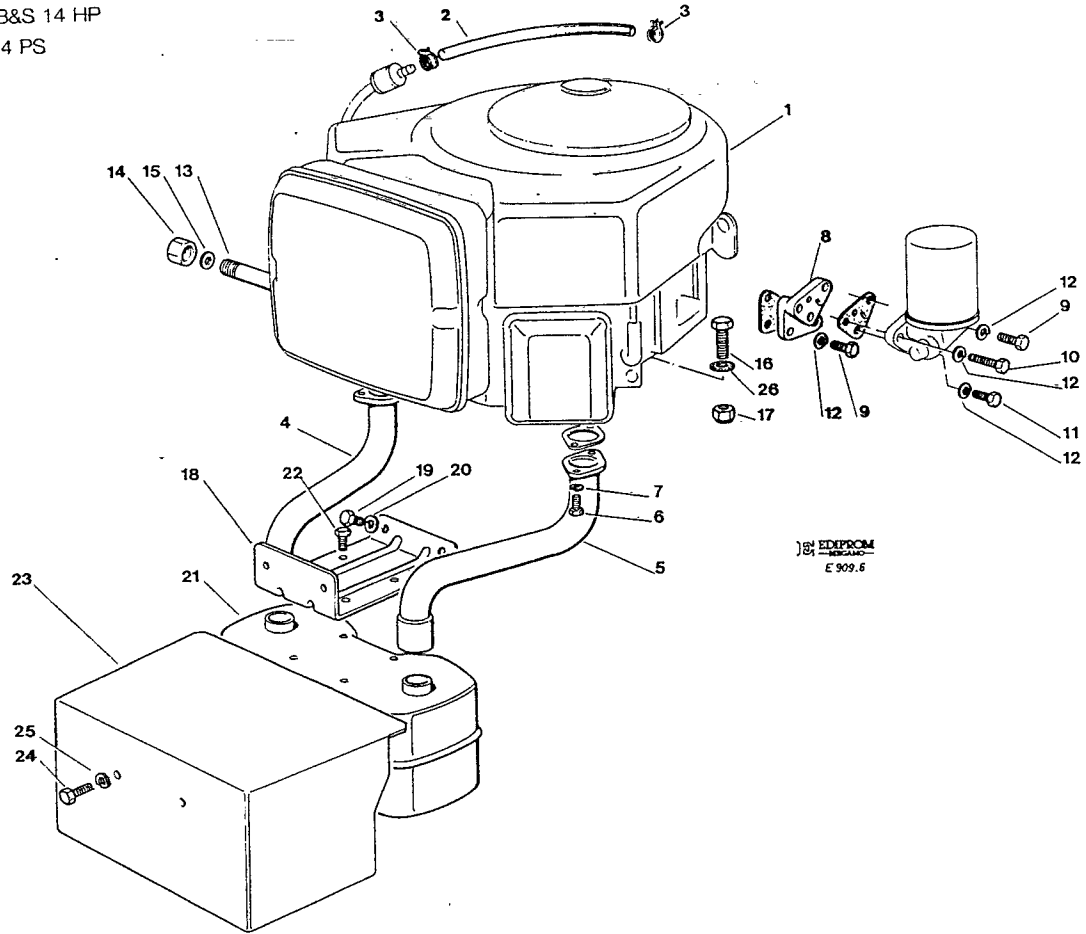
Mod. 1993



Pos. Nr.	Codice Kodex Code	Descrizione	Description	Description	Beschreibung	Q.tà Q.ty Q.té Menge
1	—	MOTORE	ENGINE	MOTEUR	MOTOR	1
2	25869003/0	TUBO COLLEGAMENTO	CONNECTING TUBE	TUBE DE CONNEXION	VERBINDUNGSROHR	1
3	18375051/0	FASCETTA	FAIR LED	FIXATION DE CABLE	KABELBEFESTIGUNG	6
4	82640001/0	ASS. RACCORDO SCARICO	EXHAUST CONNECTION	CONNEXION ECHAPPEMENT	AUSPUFFANSCHLUSS	1
5	12735106/0	VITE	SCREW	VIS	SCHRAUBE	4
6	82598001/0	ASS. PROTEZIONE SILENZIATORE	MUFFLER PROTECTION ASS.Y	PROTECTION SILENCIEUX	AUSPUFFSCHUTZ	1
7	12735350/0	VITE	SCREW	VIS	SCHRAUBE	1
8	12582100/0	GROWER	GROWER	GROWER	GROWER	1
9	12735104/0	VITE	SCREW	VIS	SCHRAUBE	1
10	25598050/0	PROLUNGA SCARICO	DISCHARGE EXTENSION	RALLONGE DE DECHAR- MENT	ENTLERUNGSVERLAEN- GERUNG	1
11	18737849/0	TAPPO PER PROLUNGA	OIL CAP	BOUCHON HUILE	OELVERSCHLUSS	1
12	18401001/0	GUARNIZIONE	OIL SEAL	GARNITURE	DICHTUNG	1
13	12793600/0	VITE	SCREW	VIS	SCHRAUBE	4
14	12155000/0	DADO	NUT	ECROU	MUTTER	4
15	12540060/0	RONDELLA	WASHER	RONDELLE	SCHEIBE	1

Mod. 1993

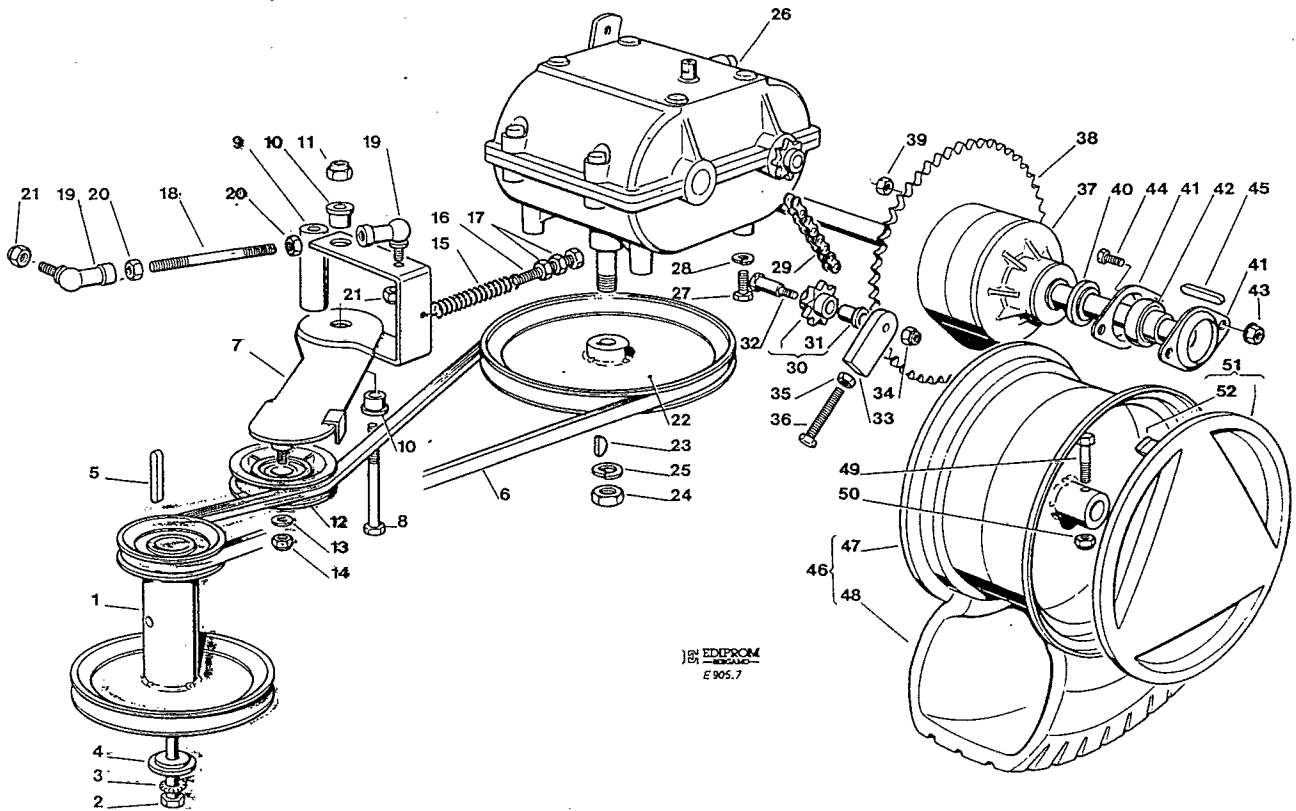
GRUPPO MOTORE B&S 14 HP
 ENGINE B&S 14 HP ASS.Y
 GROUPE MOTEUR B&S 14 HP
 MOTORSATZ B&S 14 PS



Pos. Nr.	Codice Kodex Code	Descrizione	Description	Description	Beschreibung	Q.tà Q.ty Q.té Menge
1	—	MOTORE	ENGINE	MOTEUR	MOTOR	1
2	25869004/0	TUBO COLLEGAMENTO	CONNECTING TUBE	TUBE DE CONNEXION	VERBINDUNGSROHR	1
3	18375051/0	FASCETTA	FAIR LED	FIXATION DE CABLE	KABELBEFESTIGUNG	2
4	18738202/0	TUBO RACCORDO SCARICO DX	EXHAUST RIGHT CONNECTING TUBE	TUBE DE CONNEXION DROIT POUR ECHAPPEMENT	RECHTES VERBINDUNGSROHR FÜR ABGASUNG	1
5	18738203/0	TUBO RACCORDO SCARICO SX	EXHAUST LEFT CONNECTING TUBE	TUBE DE CONNEXION GAUCHE POUR ECHAPP.	LINKES VERBINDUNGSROHR FÜR ABGASUNG	1
6	12793101/0	VITE	SCREW	VIS	SCHRAUBE	4
7	12583500/0	GROWER	GROWER	GROWER	GROWER	4
8	25785095/0	SUPPORTO FILTRO	FILTER SUPPORT	SUPPORTE DU FILTRE	WECHSELFILTER HALTER	1
9	12791400/0	VITE	SCREW	VIS	SCHRAUBE	3
10	12689500/0	VITE	SCREW	VIS	SCHRAUBE	1
11	12791213/0	VITE	SCREW	VIS	SCHRAUBE	1
12	12582100/0	GROWER	GROWER	GROWER	GROWER	5
13	25598050/0	PROLUNGA SCARICO OLIO	OIL DISCHARGE	EXTENSION RALLONGE DE DESCHERGEMENT HUILE	ENTLERUNGSVERLAENGERUNG	1
14	18737849/0	TAPPO PROLUNGA	OIL CAP	BOUCHON HUILE	OELVERSCHLUSS	1
15	18401001/0	GUARNIZIONE	OIL SEAL	GARNITURE	DICHTUNG	1
16	12793600/0	VITE	SCREW	VIS	SCHRAUBE	4
17	12155000/0	DADO	NUT	ECROU	MUTTER	4
18	82785093/0	ASS. SUPPORTO SILENZIATORE	MUFFLER SUPPORT ASS.Y	GROUPS SUPPORT SILENCEUX	AUSPUFFHALTER	1
19	12792610/0	VITE	SCREW	VIS	SCHRAUBE	2
20	12583500/0	GROWER	GROWER	GROWER	GROWER	2
21	18716131/0	SILENZIATORE	MUFFLER	SILENCEUX	AUSPUFF	1
22	12735107/0	VITE	SCREW	VIS	SCHRAUBE	4

GRUPPO CAMBIO E TRASMISSIONE
 GEARBOX AND TRANSMISSION GROUP
 GROUPE CHANGEMENT DE VITESSE
 WECHSEL UND ANTRIEB

Mod. 1993

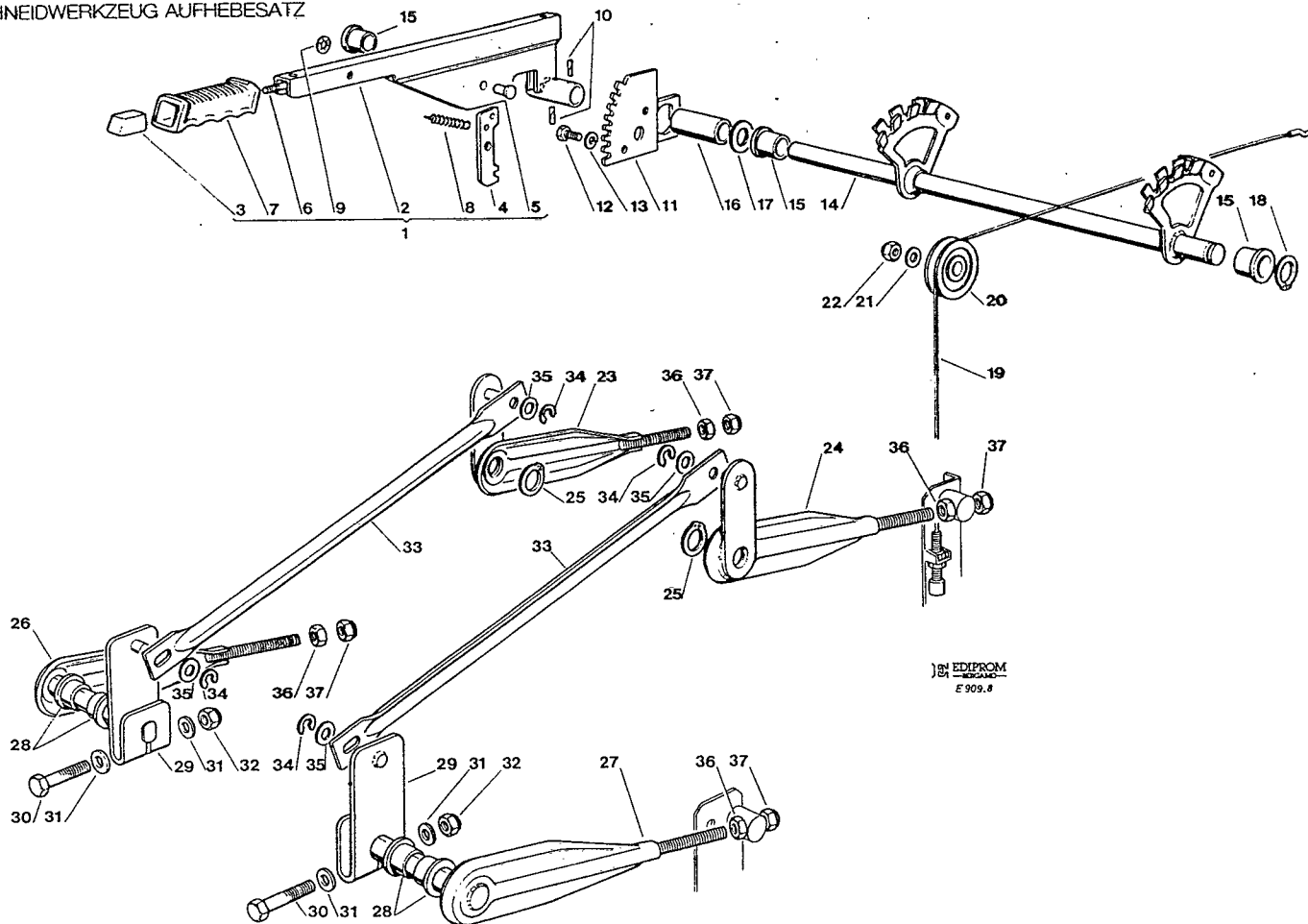


Pos. Nr.	Codice Kodex Code	Descrizione	Description	Description	Beschreibung	Q.tà Q.ty Q.té Menge
1	25601552/0	ASS. PULEGGIA MOTORE	ENGINE PULLEY ASS.Y	ENS. POULIE MOTEUR	RIEMENSCHLEIBE	1
2	12737310/0	VITE	SCREW	VIS	SCHRAUBE	1
3	12540280/0	RONDELLA	WASHER	RONDELLE	SCHEIBE	1
4	22671433/0	BOCCOLA	BUSHING	DOUILLE	BÜCHSE	1
5	12139490/0	CHIAVETTA	KEY	CLAVETTE	KEIL	1
6	35061501/0	CINGHIA	BELT	COURROIE	RIEMEN	1
7	82318111/0	ASS. LEVA GALOPPINO	TIGHTENER LEVER	LEVIER GALOPIN	LEIT ROLLE	1
8	12692080/0	VITE	SCREW	VIS	SCHRAUBE	1
9	25160008/0	DISTANZIALE	SPACER	ENTRETOISE	ENTFERNUNGSSTUECK	1
10	25038002/0	BOCCOLA	BUSHING	DOUILLE	BÜCHSE	2
11	12155000/0	DADO	NUT	ECROU	MUTTER	1
12	25601554/0	PULEGGIA	PULLEY	POULIE	RIEMENSCHLEIBE	1
13	12523060/0	RONDELLA	WASHER	RONDELLE	SCHEIBE	1
14	12155000/0	DADO	NUT	ECROU	MUTTER	1
15	25430214/0	MOLLA	SPRING	RESSORT	FEDER	1
16	22943005/0	VITE	SCREW	VIS	SCHRAUBE	1
17	12293200/0	DADO	NUT	ECROU	MUTTER	2
18	25598002/0	PRIGIONIERO	STUD SCREW	PRISONNIER	STIFTSCHLEIBE	1
19	22746601/0	SNODO M8	JOINT M8	JOINT M8	GELENK M8	2
20	12293200/0	DADO	NUT	ECROU	MUTTER	2
21	12293201/0	DADO	NUT	ECROU	MUTTER	2
22	25601551/0	PULEGGIA	PULLEY	POULIE	RIEMENSCHLEIBE	1
23	12138810/0	LINGUETTA	KEY	CLAVETTE	KEIL	1
24	12361010/0	DADO	NUT	ECROU	MUTTER	1
25	12587100/0	GROWER	GROWER	GROWER	GROWER	1
26	18159002/0	CAMBIO	GEAR BOX	BOITE DE VITESSE	GETRIEBE	1

Pos. Nr.	Codice Kodex Code	Descrizione	Description	Description	Beschreibung	Q.tà Cav. Cil. Menge
27	12735530/0	VITE	SCREW	VIS	SCHRAUBE	4
28	12583500/0	GROWER	GROWER	GROWER	GROWER	4
29	15189000/0	CATENA	CHAIN	CHAINE	KETTE	1
30	81000471/0	PIGNONE+BRONZINA	PINION+BRASS	PIGNON+COUSSINET	RITZEL+BÜCHSE	1
31	22038110/0	BRONZINA	BRASS	COUSSINET	BÜCHSE	1
32	25510002/0	PERNO	PIN	PIVOT	BOLZEN	1
33	25785094/0	SUPPORTO PIGNONE	PINION SUPPORT	SUPPORT PIGNON	RITZEL HALTER	1
34	12155000/0	DADO	NUT	ECROU	MUTTER	1
35	12293200/0	DADO	NUT	ECROU	MUTTER	1
36	12793905/0	VITE	SCREW	VIS	SCHRAUBE	1
37	25140200/0	DIFFERENZIALE	DIFFERENTIAL GEAR	DIFFERENTIEL	DIFFERENTIAL	1
38	16694600/0	CORONA	RING GEAR	COURONNE	KRANZ	1
39	12360354/0	DADO	NUT	ECROU	MUTTER	4
40	25160010/0	DISTANZIALE	SPACER	ENTRETOISE	ENTFERNUNGSSTUECK	2
41	22207319/0	FLANGIA	FLANGE	BRIDE	FLANSCH	6
42	25122201/0	CUSCINETTO	BEARING	COUSSINET	KUGELLAGER	3
43	12293201/0	DADO	NUT	ECROU	MUTTER	4
44	12793301/0	VITE	SCREW	VIS	SCHRAUBE	2
45	24451425/0	CHIAVETTA	KEY	CLAVETTE	KEIL	2
46	82680001/0	RUOTA COMPLETA (TURF-SAVER)	WHEEL ASS.Y (TURF-SAVER)	ENSEMBLE ROUE (TURF-SAVER)	RAD (TURF-SAVER)	2
46A	82680001/1	RUOTA COMPLETA (TURF-SAVER II)	WHEEL ASS.Y (TURF-SAVER II)	ENSEMBLE ROUE (TURF-SAVER II)	RAD (TURF-SAVER)	2
47	82000591/0	ASS. CERCHIO RUOTA POST.	REAR RIMM ASS.Y	BANDAGE ROUE POST.	HINTERRAD FELGER	2
48	25590001/0	PNEUMATICO (TURF-SAVER)	SHOE (TURF-SAVER)	PNEU (TURF-SAVER)	REIFEN (TURF-SAVER)	2
48A	25590001/1	PNEUMATICO (TURF-SAVER II)	SHOE (TURF-SAVER II)	PNEU (TURF-SAVER II)	REIFEN (TURF-SAVER II)	2
49	12691200/0	VITE	SCREW	VIS	SCHRAUBE	2
50	12155000/0	DADO	NUT	ECROU	MUTTER	2
51	82110251/0	COPRIRUOTA POST.	REAR WHEEL DECK	COUVRE ROUE POST.	HINTERRADDECKEL	2
52	25430209/0	MOLLA AGGANCI	SPRING	RESSORT	FEDER	8

GRUPPO SOLLEVAMENTO PIATTO
 CUTTING PLATE LIFTING ASS.Y
 ENS. SOULEVEMENT PLATEAU DE COUPE
 SCHNEIDWERKZEUG AUFHEBESATZ

Mod. 1993

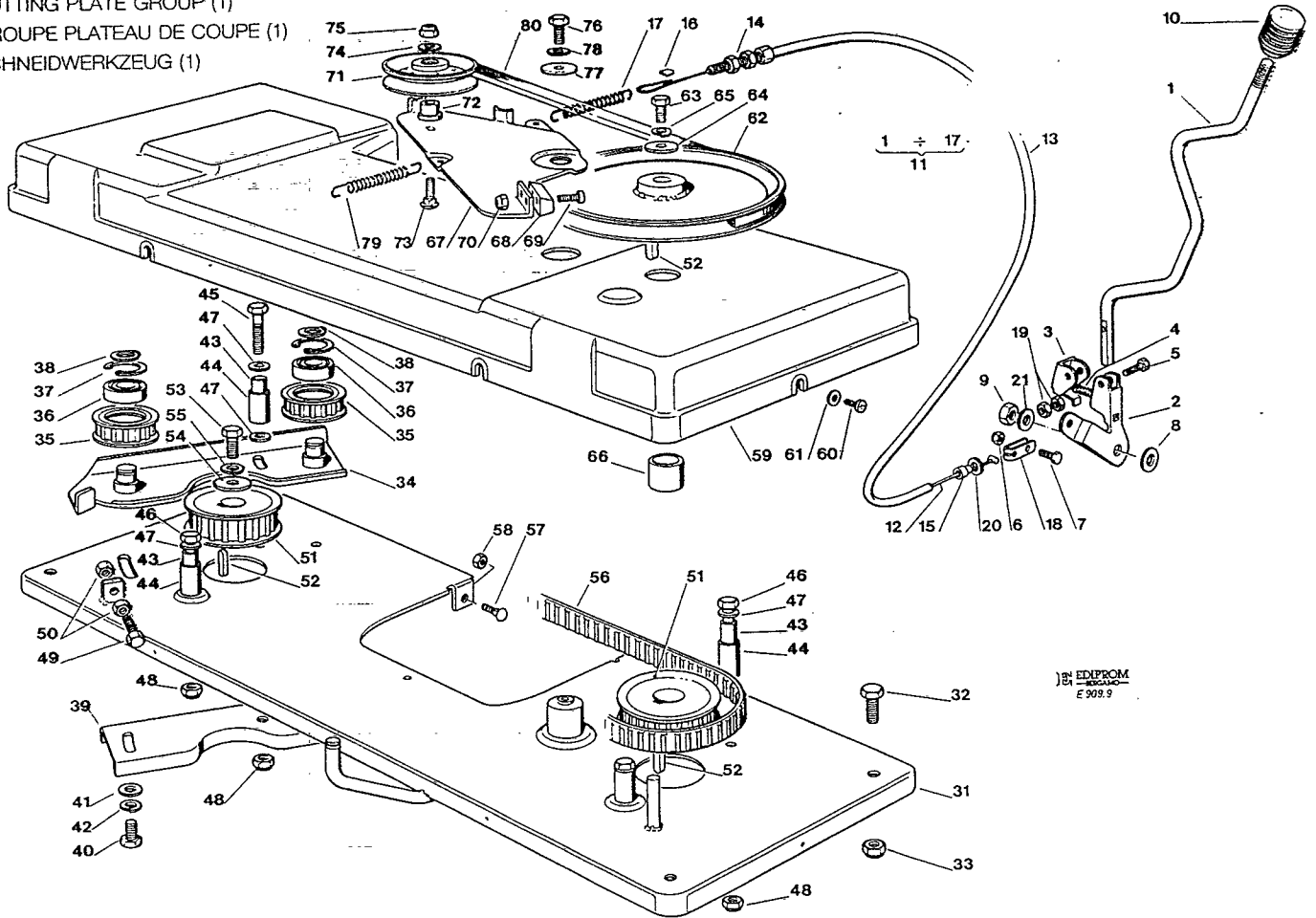


Pos. Nr.	Codice Kodex Code	Descrizione	Description	Description	Beschreibung	Q.tà Q.ty Q.té Menge
1	82300000/0	ASS. GRUPPO LEVA SOLLEVAMENTO PIATTO	LIFTING LEVER ASS.Y	ENS. LEVIER SOULEVEMENT PLATEAU DE COUPE	SCHNEIDWERKZEUG AUFHEBENHEBEL	1
2	82318103/0	LEVA SOLLEVAMENTO	LIFTING LEVER	LEVIER DE SOULEVEMENT	AUFHEBENHEBEL	1
3	82605000/0	PULSANTE	BUTTON	POUSSOIR	DRUCKKNOPF	1
4	25470901/0	NASELLO	DOG	DÉCLIC	NASE	1
5	25510011/0	PERNO	PIN	PIVOT	BOLZEN	1
6	25033002/0	ASTA COMANDO	PUSHROD	TIGE COMMANDE	BETAETIGUNGSSTAB	1
7	25394504/0	MANOPOLA	KNOB	POIGNEE	GRIF	1
8	25430208/0	MOLLA	SPRING	RESSORT	FEDER	1
9	12604899/0	RONDELLA	WASHER	RONDELLE	SCHEIBE	1
10	12620206/0	SPINA	PIN	GOUPILLE	STIFT	1
11	25735501/0	SETTORE REGOLAZIONE	ADJ. SECTOR	SECTEUR REGLEMENT	EINSTELLESEKTOR	1
12	12792611/0	VITE	SCREW	VIS	SCHRAUBE	2
13	12583500/0	GROWER	GROWER	GROWER	GROWER	2
14	82000401/0	ASS. ASSE SOLLEVAMENTO	LIFTING SHAFT	ARBRE SOULEVEMENT	AUFHEBENACHSE	1
15	22034523/0	BOCCOLA	BUSH	DOUILLE	BÜCHSE	3
16	25160004/0	DISTANZIALE	SPACER	ENTRETOISE	ENTFERNUNGSSTUECK	1
17	12521410/0	RONDELLA	WASHER	RONDELLE	SCHEIBE	1
18	12609300/0	SEGER	SEGER	SEGER	SEGER	1
19	82004600/0	ASS. FILO SOLLEVAMENTO	LIFTING WIRE	ENS. FIL SOULEVEMENT	AUFHEBENKABEL	2
20	22601904/0	PULEGGIA	PULLEY	POULIE	SCHEIBE	2
21	12521350/0	RONDELLA	WASHER	RONDELLE	SCHEIBE	2
22	12155000/0	DADO	NUT	ECROU	MUTTER	2

Pos. Nr.	Codice Kodex Code	Descrizione	Description	Description	Beschreibung	Q.tà Q.ty Q.té Menge
23	82318105/0	ASS. LEVA FULCRO DX	RIGHT FULCRUM LEVER ASS.Y	LEVIER POINT D'APPUI DROITE	RECHTER SCHWENKPUNKT HEBEL	1
24	82318107/0	ASS. LEVA FULCRO SX	LEFT FULCRUM LEVER ASS.Y	LEVIER POINT D'APPUI GAUCHE	LINKER SCHWENKPUNKT HEBEL	1
25	12609255/0	ANELLO	RING	ANNEAU	RING	2
26	82318115/0	ASS. LEVA FULCRO ANT. DX	FRONT FULCRUM LEVER ASS.Y RIGHT	LEVIER POINT D'APPUI ANTERIEUR - DROITE	RECHTER VORDERSCH- WENKPUNKTHEBEL	1
27	82318117/0	ASS. LEVA FULCRO ANT. SX	FRONT FULCRUM LEVER ASS.Y LEFT	LEVIER POINT D'APPUI ANTERIEUR - GAUCHE	LINKER VORDERSCHWENK- PUNKTHEBEL	1
28	25040605/0	BUSSOLA	BUSH	DOUILLE	BÜCHSE	4
29	82318109/0	ASS. LEVA ASTA COLLEGAMENTO	CONNECTING ROD LEVER	LEVIER TIGE DE CONNEXION	VERBINDUGSSTAB HEBEL	2
30	12691700/0	VITE	SCREW	VIS	SCHRAUBE	2
31	12521350/0	RONDELLA	WASHER	RONDELLE	SCHEIBE	4
32	12155000/0	DADO	NUT	ECROU	MUTTER	2
33	25033001/0	ASTA COLLEGAMENTO	CONNECTING ROD	TIGE DE CONNEXION	VERBINDUNGSSTAB	2
34	12000955/0	ANELLO ELASTICO	SNAP RING	ANNEAU RESSORT	SPRENGRING	4
35	25670008/0	RONDELLA	WASHER	RONDELLE	SCHEIBE	4
36	12295200/0	DADO	NUT	ECROU	MUTTER	4
37	12156602/0	DADO	NUT	ECROU	MUTTER	4

Mod. 1993

GRUPPO PIATTO DI TAGLIO (1)
 CUTTING PLATE GROUP (1)
 GROUPE PLATEAU DE COUPE (1)
 SCHNEIDWERKZEUG (1)



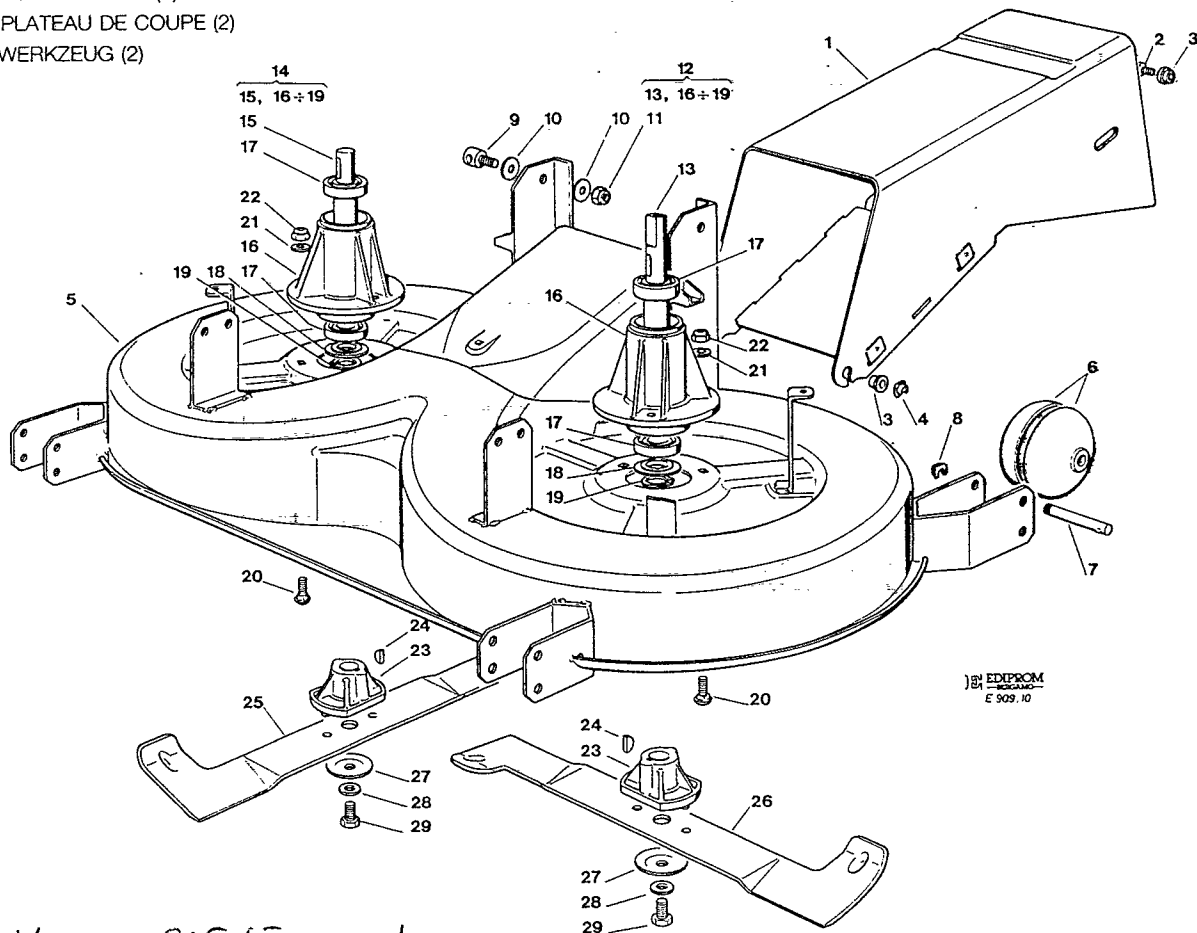
EDIPROM
 E 909.9

Pos. Nr.	Codice Kodex Code	Descrizione	Description	Description	Beschreibung	Q.tà Q.ty Q.té Menge
1	25318113/0	LEVA INNESTO	ENGAGING LEVER	LEVIER D'EMBRAYAGE	EINSCHALTENHEBEL	1
2	82774209/0	STAFFA LEVA	CLAMP LEVER	BRIDE POUR LEVIER	BRIDE FÜR HEBEL	1
3	25774211/0	STAFFA MOLLA	CLAMP SPRING	BRIDE POUR RESSORT	BRIDE FÜR FEDER	1
4	25430206/0	MOLLA	SPRING	RESSORT	FEDER	1
5	12674550/0	VITE	SCREW	VIS	SCHRAUBE	1
6	12154510/0	DADO	NUT	ECROU	MUTTER	1
7	12791213/0	VITE	SCREW	VIS	SCHRAUBE	1
8	22672151/0	RONDELLA	WASHER	RONDELLE	SCHEIBE	1
9	12155000/0	DADO	NUT	ECROU	MUTTER	1
10	82394503/0	ASSIEME MANOPOLA	HANDLE ASS.Y	ENSEMBLE POIGNÉE	GRIF	1
11	82004601/0	ASSIEME FILO	WIRE ASS.Y	ENSEMBLE FIL	KABEL	1
12	25207100/0	FILO	WIRE	FIL	KABEL	1
13	25265000/0	GUAINA	SHEATH	GAINÉ	KABEL MANTEL	1
14	25646000/0	REGISTRO	ADJUSTER	REGISTRE	ZUGREGLER	1
15	13120101/0	BUSSOLA	BUSHING	DOUILLE	BÜCHSE	1
16	15407030/0	FASCETTA	CLIP	COLLIER	KABEL BAND	1
17	25430211/0	MOLLA	SPRING	RESSORT	FEDER	1
18	22061337/0	CAVALLOTTO	CONNECTING PLATE	PLAQUE DE CONNEXION	BUGEL BOLZEN	1
19	12292100/0	DADO	NUT	ECROU	MUTTER	2
20	12523040/0	RONDELLA	WASHER	RONDELLE	SCHEIBE	1
21	12523060/0	RONDELLA	WASHER	RONDELLE	SCHEIBE	1
31	82547003/0	ASSIEME PIASTRA	PLATE ASS.Y	ENSEMBLE PLATE	PLATTE	1
32	12792611/0	VITE	SCREW	VIS	SCHRAUBE	4
33	12293201/0	DADO	NUT	ECROU	MUTTER	4
34	82785084/0	ASS. SUPPORTO	SUPPORT ASS.Y	ENS. SUPPORT	HALTERSATZ	1

Pos. Nr.	Code Codex Code	Descrizione	Description	Description	Beschreibung	Q.tà Q.ty Q.té Menge
35	25601559/0	PULEGGIA	PULLEY	POULIE	RIEMENSCHLEIBE	2
36	19216033/0	CUSCINETTO	BEARING	ROULEMENT	KUEGELLAGER	2
37	12610800/0	SEEGER	SEEGER	SEEGER	SEEGER	2
38	12609200/0	SEEGER	SEEGER	SEEGER	SEEGER	2
39	25650037/0	RINF. PULEGGE	PULLEY STIFFENING	REINFORCEMENT DES POULIE	RIEMENSCHLEIBE VERSTAERKUNG	1
40	12793102/0	VITE	SCREW	VIS	SCHRAUBE	2
41	12521350/0	RONDELLA	WASHER	RONDELLE	SCHEIBE	2
42	12583500/0	GROWER	GROWER	GROWER	GROWER	2
43	25160003/0	DISTANZIALE	SPACER	ENTRETOISE	DISTANZRING	4
44	25038000/0	BOCCOLA	BUSHING	DOUILLE	BUCHSE	4
45	12691700/0	VITE	SCREW	VIS	SCHRAUBE	1
46	12691200/0	VITE	SCREW	VIS	SCHRAUBE	3
47	12521350/0	RONDELLA	WASHER	RONDELLE	SCHEIBE	5
48	12155000/0	DADO	NUT	ECROU	MUTTER	4
49	12793900/0	VITE	SCREW	VIS	SCHRAUBE	1
50	12293200/0	DADO	NUT	ECROU	MUTTER	2
51	25601560/0	PULEGGIA	PULLEY	POULIE	RIEMENSCHLEIBE	2
52	12139480/0	CHIAVETTA	KEY	CLAVETTE	KEIL	3
53	12793102/0	VITE	SCREW	VIS	SCHRAUBE	1
54	22670007/0	RONDELLA	WASHER	RONDELLE	SCHEIBE	1
55	12583500/0	GROWER	GROWER	GROWER	GROWER	1
56	35065600/0	CINGHIA	BELT	COURROIRE	KEILRIEMEN	1
57	12815200/0	VITE	SCREW	VIS	SCHRAUBE	3
58	12292102/0	DADO	NUT	ECROU	MUTTER	3
59	25060100/0	CARTER	CASE	CARTER	BLECH	1
60	12728440/0	VITE	SCREW	VIS	SCHRAUBE	6
61	12521320/0	RONDELLA	WASHER	RONDELLE	SCHEIBE	6
62	25601550/0	PULEGGIA	PULLEY	POULIE	RIEMENSCHLEIBE	1
63	12793102/0	VITE	SCREW	VIS	SCHRAUBE	1
64	22670007/0	RONDELLA	WASHER	RONDELLE	SCHEIBE	1
65	12583500/0	GROWER	GROWER	GROWER	GROWER	1
66	25160002/0	DISTANZIALE	SPACER	ENTRETOISE	DISTANZRING	1
67	25318115/0	LEVA FRENO	BRAKE LEVER	LEVIER FREIN	BREMSHEBEL	1
68	25207000/0	FERODO	LINING	PASTILLE FREIN	BREMSBELAG	1
69	12771400/0	VITE	SCREW	VIS	SCHRAUBE	2
70	12154330/0	DADO	NUT	ECROU	MUTTER	2
71	25601555/0	PULEGGIA	PULLEY	POULIE	RIEMENSCHLEIBE	1
72	25160007/0	DISTANZIALE	SPACER	ENTRETOISE	DISTANZRING	1
73	12818900/0	VITE	SCREW	VIS	SCHRAUBE	1
74	12523060/0	RONDELLA	WASHER	RONDELLE	SCHEIBE	1
75	12155000/0	DADO	NUT	ECROU	MUTTER	1
76	12793101/0	VITE	SCREW	VIS	SCHRAUBE	1
77	12523070/0	RONDELLA	WASHER	RONDELLE	SCHEIBE	1
78	12583500/0	GROWER	GROWER	GROWER	GROWER	1
79	25430210/0	MOLLA FRENO LAMA	BLADE BRAKE SPRING	RESSORT FREIN LAME	MESSER BREMSE FEDER	1
80	35062811/0	CINGHIA	BELT	COURROIE	KEIL RIEMEN	1

GRUPPO PIATTO DI TAGLIO (2)
 CUTTING PLATE GROUP (2)
 GROUPE PLATEAU DE COUPE (2)
 SCHNEIDWERKZEUG (2)

Mod. 1993



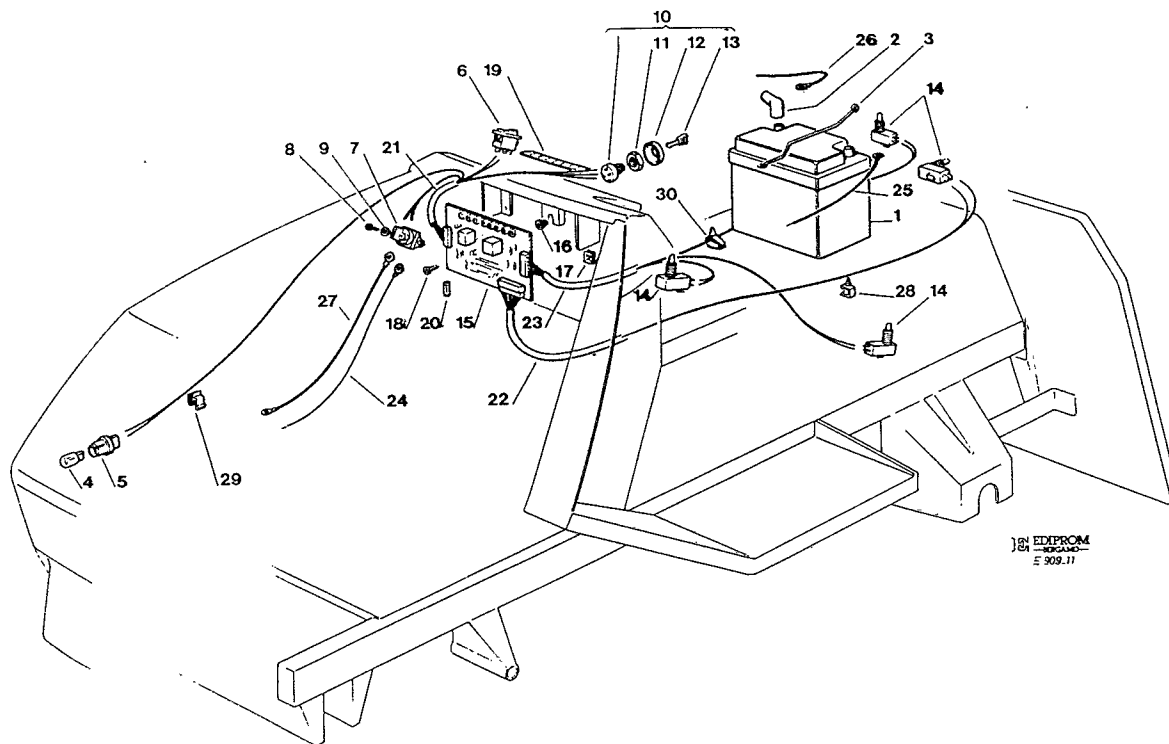
Komplet Kupfer 825 65000 -1.

Pos. Nr.	Codice Kodex Code	Descrizione	Description	Description	Beschreibung	Q.tà Q.ty Q.té Menge
1	82108004/0	ASSIEME CONVOGLIATORE POST.	REAR CONVEYOR ASS.Y	ENS. CONVOYEUR POST.	HINTERLEITBLECH SATZ	1
2	12793101/0	VITE	SCREW	VIS	SCHRAUBE	2
3	25038002/0	BOCCOLA	BUSHING	DOUILLE	BUCHSE	1
4	12436050/0	PIASTRINA	PLATE	PLAQUE	PLATTE	2
5	82564001/0	ASSIEME PIATTO DI TAGLIO	CUTTING PLATE ASS.Y	ENS. PLATEAU DE COUPE	SCHNEIDWERKZEUG	1
6	82700000/0	RUOTINO ANTISCALPO	LEVELLING SMALL WHEEL	PETITE ROUE DE NIVELLEMENT	EBENUNG RAEDCHEN	4
7	25510006/0	PERNO	PIN	PIVOT	BOLZEN	4
8	12436030/0	PIASTRINA	PLATE	PLAQUE	PLATTE	4
9	25510007/0	PERNO	PIN	PIVOT	BOLZEN	4
10	25670008/0	RONDELLA	WASHER	RONDELLE	SCHEIBE	8
11	12156602/0	DADO	NUT	ECROU	MUTTER	4
12	82207200/0	ASS. FLANGIA ALBERO PRINCIPALE (13, 16÷19)	BLADE MAIN SHAFT SUPPORT (13, 16÷19)	SUPPORT ARBRE LAME PRINCIPAL (13, 16÷19)	MASSERWELLE HAPT-SATZ (13, 16÷19)	1
13	25020800/0	ALBERO LAMA PRINCIPALE	MAIN BLADE SHAFT	ARBRE LAME PRINCIPAL	HAUP MESSERWELLE	1
14	82207201/0	ASS. FLANGIA ALBERO SECONDARIO (15, 16÷19)	BLADE SECONDARY SHAFT SUPPORT (15, 16÷19)	SUPPORT ARBRE LAME SECONDAIRE (15, 16÷19)	MASSERWELLE ZWEITER-SATZ (15, 16÷19)	1
15	25020801/0	ALBERO LAMA SECONDARIO	SECONDARY BLADE SHAFT	ARBRE LAME SECONDAIRE	ZWEITE MESSERWELLE	1
16	25207200/0	FLANGIA ALBERO LAMA	BLADE SHAFT SUPPORT	SUPPORT ARBRE LAME	MESSERWELLE	2
17	19216032/0	CUSCINETTO	BEARING	ROULEMENT	KUEGELLAGER	2
18	25160501/0	DISCO PARAPOLVERE	DUST COVER	PROTEGE-POUSSIÈRE	STAUBSCHUTTSCHIEBE	2
19	12609300/0	SEGER	SEGER	SEGER	SEGER	2
20	12818700/0	VITE	SCREW	VIS	SCHRAUBE	6
21	12521350/0	RONDELLA	WASHER	RONDELLE	SCHEIBE	6
22	12155000/0	DADO	NUT	ECROU	MUTTER	6

Pos. Nr.	Codice Kodex Code	Descrizione	Description	Description	Beschreibung	Q.tà Q.ty Q.té Menge
23	25463200/0	MOZZO COLTELLO	BLADE HUB	MOYEU LAME	MESSERHALTER	2
24	12139100/0	LINGUETTA	KEY	CLAVETTE	KEIL	2
25	82004341/0	ASS. COLTELLO DX	RIGHT BLADE ASS.Y	ENS. LAME DROITE	RECHTER MESSERSATZ	1
26	82004340/0	ASS. COLTELLO SX	LEFT BLADE ASS.Y	ENS. LAME GAUCHE	LINKER MESSERSATZ	1
27	22160400/0	DISCO ELASTICO	ELASTIC WASHER	RONDELLE ELASTIQUE	FEDERSCHEIBE	2
28	12523080/0	RONDELLA	WASHER	RONDELLE	SCHEIBE	2
29	12735694/0	VITE	SCREW	VIS	SCHRAUBE	2
—	82565000/0	PIATTO DI TAGLIO, ASSEMBLATO (009, 31÷80 + 010, 5÷29)	CUTTING PLATE, ASSEMBLED (009, 31÷80 + 010, 5÷29)	PLATEAU DE COUPE, COMPLETE (009, 31÷80 + 010, 5÷29)	SCHNEIDWERKZEUG. KOMPLETT (009, 31÷80 + 010, 5÷29)	1

GRUPPO PARTI ELETTRICHE
 ELECTRICAL PARTS GROUP
 GROUPE PARTIES ELECTRIQUES
 ELETRISCHETEILE

Mod. 1993



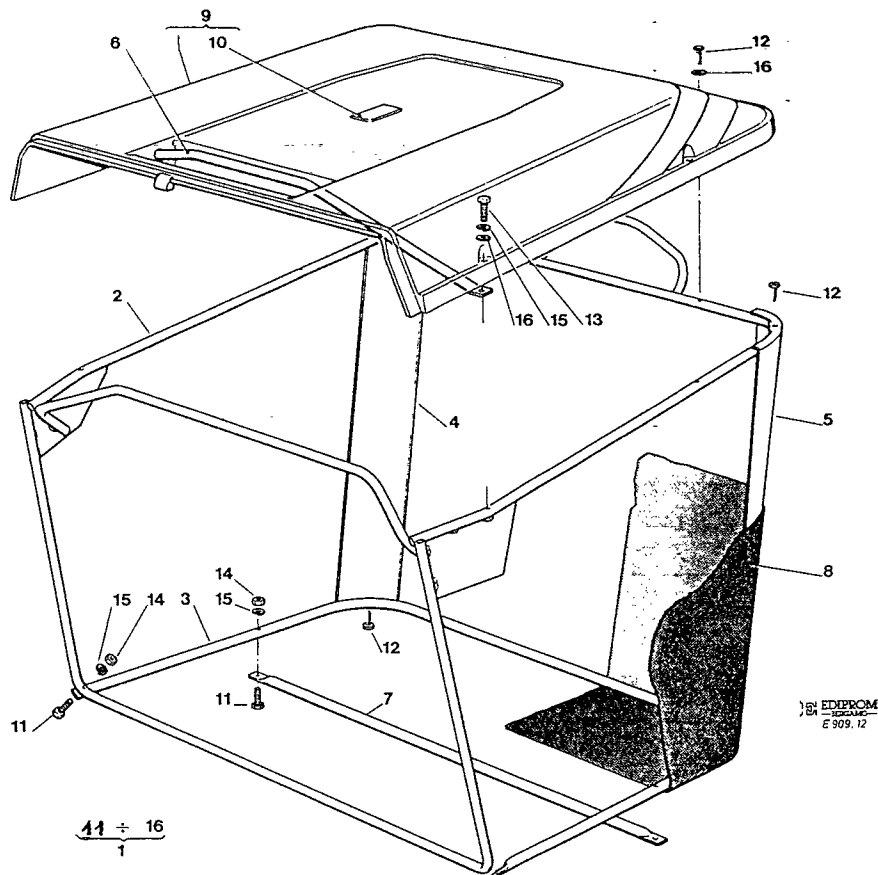
Pos. Nr.	Codice Kodex Code	Descrizione	Description	Description	Beschreibung	Q.tà Q.ty Q.té Menge
1	18120000/0	BATTERIA 12V - 20Ah	BATTERY 12V - 20Ah	BATTERIE 12V - 20Ah	BATTERIE 12V - 20Ah	1
2	25600001/0	PROTEZIONE	PROTECTION	PROTECTION	SCHUTZ	1
3	25430200/0	MOLLA	SPRING	RESSORT	FEDER	2
4	18459100/0	LAMPADA FARI	LAMP FOR LIGHTS	LAMPE POUR PHARES	LAMPENFASSUN	2
5	33500030/0	PORTALAMPADE	LAMP HOLDER	DOUILLE DE LAMPE	SCHEINWERFERLAMPE	2
6	18450060/0	INTERRUTTORE FARI	LAMP SWITCH	INTERRUPTEUR PHARES	LICHTEN SCHALTER	1
7	18736110/0	SOLENOIDE	SOLENOID	SOLENOIDE	SOLENOID	1
8	12728510/0	VITE	SCREW	VIS	SCHRAUBE	2
9	12521320/0	RONDELLA	WASHER	RONDELLE	SCHEIBE	2
10	18450065/1	INTERRUTTORE AVVIAMENTO	STARTING SWITCH	INTERRUPTEUR DEMARRAGE	SCHALTER	1
11	18400861/0	GHIERA	SCREWED RING	EMBOUT	NUTMUTTER	1
12	18565351/0	PROTEZIONE GHIERA	SCREWED RING PROTECTION	PROTECTION EMBOUT	NUTMUTTER SCHUTZ	1
13	18210016/0	CHIAVE AVVIAMENTO	STARTING KEY	CLEF A DEMARRAGE	SCHLÜSSEL FÜR START	1
14	19410603/0	MICRO INTERRUTTORE	MICRO	MICRO	MIKRO	4
15	25722400/1	SCHEDA ELETTRONICA (6 FUNZ.) 12,5 HP	ELECTRONIC CARD (6 FUNCTIONS) 12.5 HP	CARTE ELECTRONIQUE (6 INDICATIONS) 12.5 HP	ELEKTRONISCHE KARTE (6 ANGABEN) 12.5 HP	1
15A	25722401/1	SCHEDA ELETTRONICA (8 FUNZ.) 14 HP	ELECTRONIC CARD (8 FUNCTIONS) 14 HP	CARTE ELECTRONIQUE (8 INDICATIONS) 14 HP	ELEKTRONISCHE KARTE (8 ANGABEN) 14 HP	1
16	12395000/0	MADREVITE	INTERNAT THREAD	VIS-MERE	MUTTER GEWINDE	1
17	12437501/0	PIASTRINA DOPPIA	DOUBLE PLATE	PLAQUETTE DOUBLE	DOPPEL PLATTE	2
18	12735105/0	VITE	SCREW	VIS	SCHRAUBE	3
19	25420000/0	MEMBRANA (12,5 HP)	CHECK CONTROLL (12.5 HP)	PANNEAU DE CONTROLE (12.5 HP)	KONTROLLTAFEL (12.5 HP)	1
19A	25420001/0	MEMBRANA (14 HP)	CHECK CONTROLL (14 HP)	PANNEAU DE CONTROLE (14 HP)	KONTROLLTAFEL (14 HP)	1
20	33340033/0	FUSIBILE 6,3 A	FUSE 6.3 A	FUSIBLE 6,3 A	SICHERUNG 6.3 A	1

33340033/0 500419 Sikung

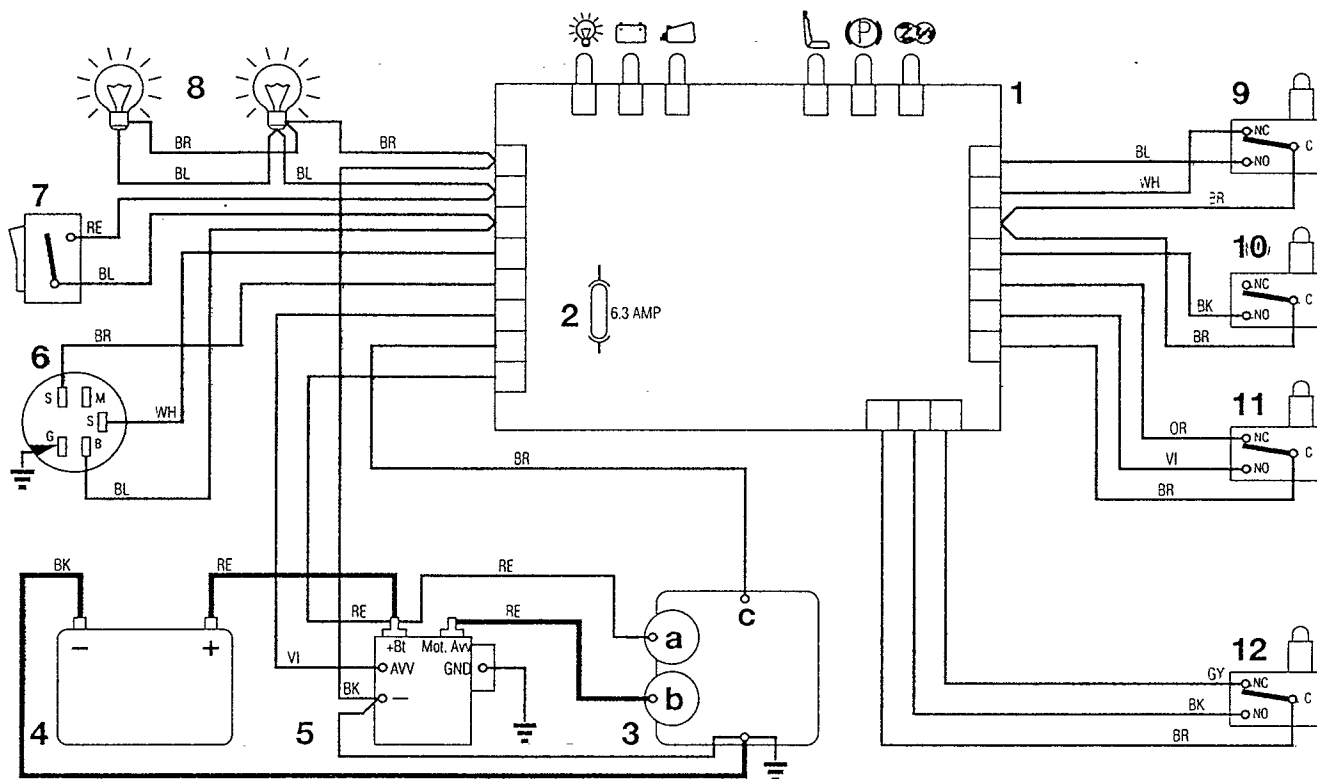
Pos. Nr.	Codice Kodex Code	Descrizione	Description	Description	Beschreibung	Q.tà Q.ty Q.té Menge
21	82040000/1	ASS. CABLAGGIO (12,5 HP)	CABLES ASS.Y (12.5 HP)	ENS. CABLAGES (12,5 HP)	KABELSATZ (12,5 HP)	1
21A	82040001/1	ASS. CABLAGGIO (14 HP)	CABLES ASS.Y (14 HP)	ENS. CABLAGES (14 HP)	KABELSATZ (14 HP)	1
22	82040002/0	ASS. CABLAGGIO (12,5 HP)	CABLES ASS.Y (12.5 HP)	ENS. CABLAGES (12,5 HP)	KABELSATZ (12,5 HP)	1
22A	82040003/0	ASS. CABLAGGIO (14 HP)	CABLES ASS.Y (14 HP)	ENS. CABLAGES (14 HP)	KABELSATZ (14 HP)	1
23	82040004/0	ASS. CABLAGGIO (12,5 HP)	CABLES ASS.Y (12.5 HP)	ENS. CABLAGES (12,5 HP)	KABELSATZ (12,5 HP)	1
23A	82040005/0	ASS. CABLAGGIO (14 HP)	CABLES ASS.Y (14 HP)	ENS. CABLAGES (14 HP)	KABELSATZ (14 HP)	1
24	25065003/0	CAVO RICARICA	CABLE	CABLES	KABEL	1
25*	25065004/0	CAVO MASSA BATTERIA	CABLE	CABLES	KABEL	1
26	25065001/0	CAVO BATT. SOLENOIDE	CABLE	CABLES	KABEL	1
27	25065002/0	CAVO SOLENOIDE MOTORINO 1 AVV.	CABLE	CABLES	KABEL	1
28	33320504/0	FERMACAVO	FAIRLED	FIXATION CABLE	KABELBEFESTIGUNG	1
29	33320505/0	FERMACAVO	FAIRLED	FIXATION CABLE	KABELBEFESTIGUNG	1
30	33320506/0	FERMACAVO	FAIRLED	FIXATION CABLE	KABELBEFESTIGUNG	2
*		FINO ALLA MATRICOLA N. 0012200 UTILIZZARE IL COD. 25065000/0	UP TO SERIAL NBR. 0012200 USE CODE 25065000/0	JUSQU'À MATRICULE NR. 0012200 UTILISER LE CODE 25065000/0	BIS ZUR KENNNUMMER 0012200 VERWENDEN SIE 25065000/0	

GRUPPO SACCO
 GRASSCATCHER GROUP
 GROUPE SAC
 GRASFANGEINRICHTUNG

Mod. 1993



Pos. Nr.	Codice Kodex Code	Descrizione	Description	Description	Beschreibung	Q.tà Q.ty Q.té Menge
1	82180000/1	DOTAZIONE SACCO	GRASS-BOX OUTFIT	DOTATION BAC	KORBAUSSTATTUNG I	1
2	82800001/1	ASS. TELAIO SUP.	UPPER FRAME ASS.Y	ENS. CHASSIS SUPERIEUR	OBERERRAHMEN SATZ	1
3	82800002/0	ASS. TELAIO INF.	LOWER FRAME ASS.Y	ENS. CHASSIS INFERIEUR	UNTERERRAHMEN SATZ	1
4	25032001/0	ANGOLARE DX	RIGHT ANGULAR SUPPORT	SUPPORT ANGULAIRE DROITE	RECHTER HALTER	1
5	25032002/0	ANGOLARE SX	LEFT ANGULAR SUPPORT	SUPPORT ANGULAIRE GAUCHE	LINKER HALTER	1
6	82394001/0	MANIGLIA ANT.	FRONT HANDLE	POIGNEE ANTERIEURE	VORDERGRIF	1
7	82650038/0	RINFORZO INF.	LOWER STIFFENING	RENFORCEMENT SUPER.	OBERE VERSTAERKUNG	1
8	82106000/0	SACCO	GRASSCATCHER	SAC	SACK	1
9	82110158/0	ASS. COPERTURA SACCO	GRASSCATCHER PLASTIC	COVER ENS. COUVERTURE	BACK SACKABDECKUNG	1
10	25547016/0	PIASTRINA	PLATE	PLAQUE	PLATTE	1
11	12792099/0	VITE	SCREW	VIS	SCHRAUBE	4
12	12729600/0	VITE	SCREW	VIS	SCHRAUBE	8
13	12674700/0	VITE	SCREW	VIS	SCHRAUBE	2
14	12292100/0	DADO	NUT	ECROU	MUTTER	4
15	12582100/0	GROWER	GROWER	GROWER	GROWER	6
16	12521330/0	RONDELLA	WASHER	RONDELLE	SCHEIBE	6



- | | | | | |
|----|--------------------------|---------------------------|--------------------------|-----------------------------------|
| 1 | SCHEDA | ELECTRONIC CARD | CARTE ELECTRONIQUE | ELECTRONISCHE KARTE |
| 2 | FUSIBILE 6,3 A | FUSE 6.3 A | FUSIBLE 6,3 A | SICHERUNG 6,3 A |
| 3 | MOTORE | ENGINE | MOTEUR | MOTOR |
| 3a | Generatore | Generator | Genérateur | Generator |
| 3b | Motorino avviamento | Starter | Demarreur | Anlasser |
| 3c | Stop motore | Engine stop | Calage du moteur | Motor abstellung |
| 4 | BATTERIA | BATTERY | BATTERIE | BATTERIE |
| 5 | RELE AVVIAMENTO | STARTER RELAY | RELAIS DE DEMARRAGE | ANLASSER RELAIS |
| 6 | INTERRUTTORE A CHIAVE | ELECTROLOCK | INTERRUPTEUR D'ALLUMAGE | SCHLÜSSELCHALTER |
| 7 | INTERRUTTORE FARI | HEADLIGHT SWITCH | INTERRUPTEUR PHARES | LICHTSCHALTER |
| 8 | FARI | HEADLIGHT | PHARES | LICHT |
| 9 | MICROINTERRUTTORE LAME | BLADES MICRO SWITCH | MICRO INTERRUPTEUR LAMES | MESSER MIKROSCHALTER |
| 10 | MICROINTERRUTTORE FRENO | BRAKE MICRO SWITCH | MICRO INTERRUPTEUR FREIN | BREMSE MIKROSCHALTER |
| 11 | MICROINTERRUTTORE SEDILE | SEAT MICRO SWITCH | MICRO INTERRUPTEUR SIEGE | SITZ MIKROSCHALTER |
| 12 | MICROINTERRUTTORE SACCO | GRASSCATCHER MICRO SWITCH | MICRO INTERRUPTEUR BAC | GRASFANGEINRICHTUNG MIKROSCHALTER |

COLORI CAVI

- BK NERO
 BL BLU
 BR MARRONE
 GY GRIGIO
 OR ARANCIONE
 RE ROSSO
 VI VIOLA
 YG GIALLO/VERDE
 WH BIANCO

CABLE COLOURS

- BLACK
 BLUE
 BROWN
 GREY
 ORANGE
 RED
 VIOLET
 YELLOW/GREEN
 WHITE

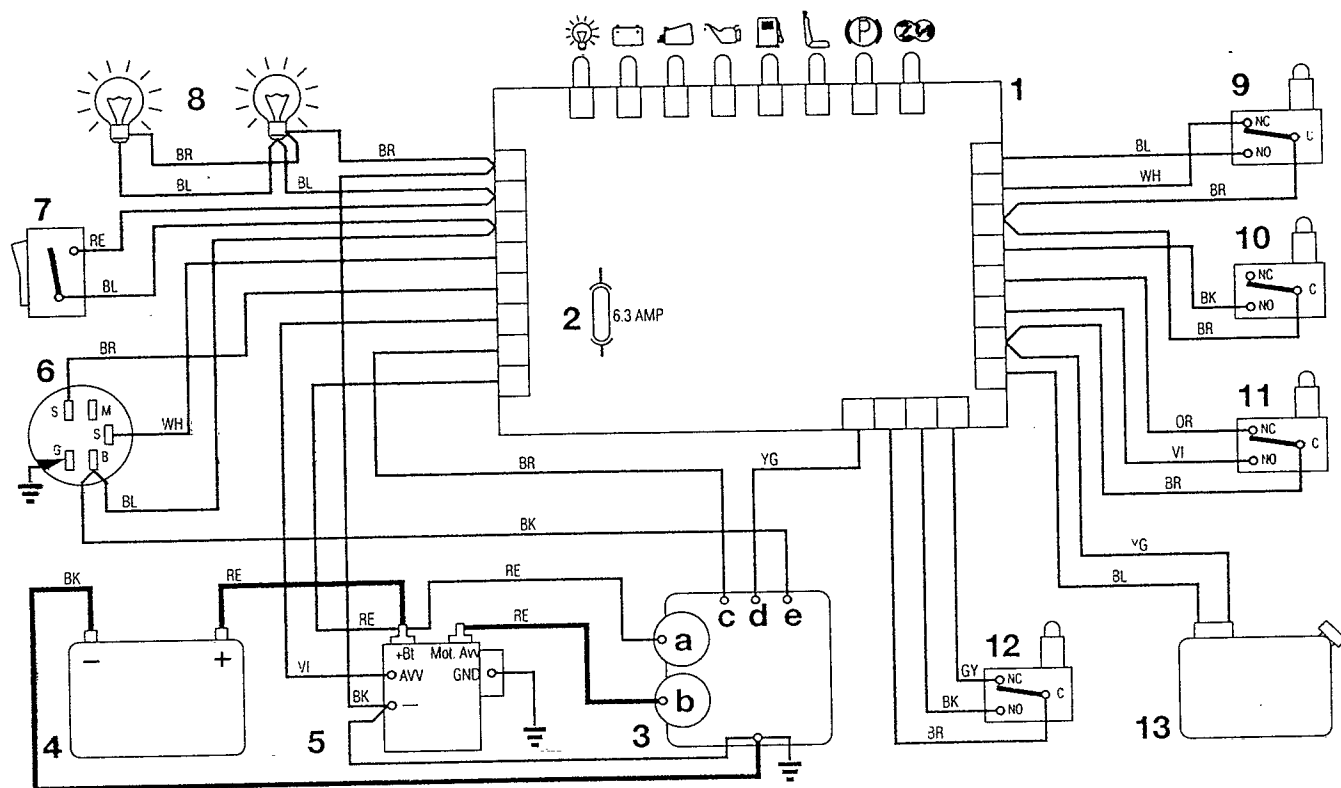
COULEUR CABLES

- NOIR
 BLEU
 BUN
 GRIS
 ORANGE
 ROUGE
 VIOLET
 JAUNE/VERT
 BLANC

KABEL FARBEN

- SCHWARZ
 BLAU
 BRAUN
 GRAU
 ORANGE
 ROT
 VIOLETT
 GELB/GRÜN
 WEISS

Mod. 1993



1	SCHEDA	ELECTRONIC CARD	CARTE ELECTRONIQUE	ELECTRONISCHE KARTE
2	FUSIBILE 6,3 A	FUSE 6,3 A	FUSIBLE 6,3 A	SICHERUNG 6,3 A
3	MOTORE	ENGINE	MOTEUR	MOTOR
3a	Generatore	Generator	Generateur	Generator
3b	Motorino avviamento	Starter	Demarreur	Anlasser
3c	Stop motore	Engine stop	Calage du moteur	Motor abstellung
3d	Olio	Oil	Huile	Öl
3e	Carburatore	Carburetor	Carburateur	Vergaser
4	BATTERIA	BATTERY	BATTERIE	BATTERIE
5	RELE AVVIAMENTO	STARTER RELAY	RELAIS DE DEMARRAGE	ANLASSER RELAIS
6	INTERRUTTORE A CHIAVE	ELECTROLOCK	INTERRUPTEUR D'ALLUMAGE	SCHLÜSSELSCHALTER
7	INTERRUTTORE FARI	HEADLIGHT SWITCH	INTERRUPTEUR PHARES	LICHTSCHALTER
8	FARI	HEADLIGHT	PHARES	LICHT
9	MICROINTERRUTTORE LAME	BLADES MICRO SWITCH	MICRO INTERRUPTEUR LAMES	MESSER MIKROSCHALTER
10	MICROINTERRUTTORE FRENO	BRAKE MICRO SWITCH	MICRO INTERRUPTEUR FREIN	BREMSE MIKROSCHALTER
11	MICROINTERRUTTORE SEDILE	SEAT MICRO SWITCH	MICRO INTERRUPTEUR SIEGE	SITZ MIKROSCHALTER
12	MICROINTERRUTTORE SACCO	GRASSCATCHER MICRO SWITCH	MICRO INTERRUPTEUR BAC	GRASFANGEINRICHTUNG MIKROSCHALTER
13	SERBATOIO	TANK	RESERVIOIR	TANK

COLORI CAVI	CABLE COLOURS	COULEUR CABLES	KABEL FARBEN
BK NERO	BLACK	NOIR	SCHWARZ
BL BLU	BLUE	BLEU	BLAU
BR MARRONE	BROWN	BUN	BRAUN
GY GRIGIO	GREY	GRIS	GRAU
OR ARANCIONE	ORANGE	ORANGE	ORANGE
RE ROSSO	RED	ROUGE	ROT
VI VIOLA	VIOLET	VIOLEY	VIOLETT
YG GIALLO/VERDE	YELLOW/GREEN	JAUNE/VERT	GELB/GRÜN
WH BIANCO	WHITE	BLANC	WEISS