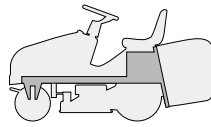


J JP JT JR JTP JB

92 92 hydro 98s 98s hydro

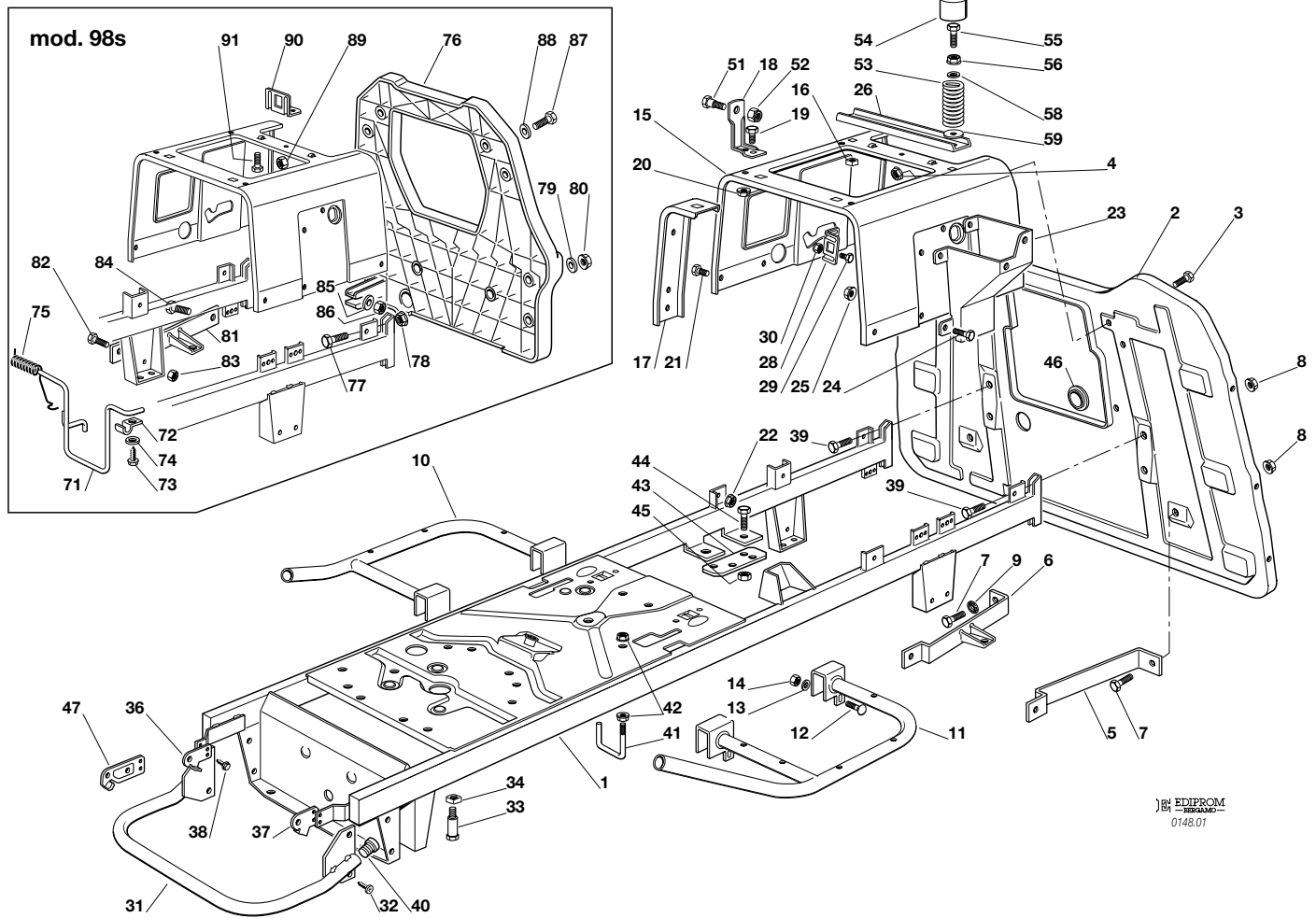


TELAIO
CHASSIS
CHASSIS
RAHMENSATZ

2002

001.0

1 / 2



EDIPROM
0148.01

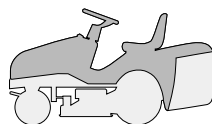
N.	CODE	Q.TY	DESCRIZIONE	DESCRIPTION	DESCRIPTION	BESCHREIBUNG
2	82547021/1	1	PIASTRA	PLATE	PLAQUE	PLATTE
3	12790780/0	4	VITE	SCREW	VIS	SCHRAUBE
4	12292102/0	4	DADO	NUT	ECROU	MUTTER
5	25650046/0	1	RINFORZO SINISTRO	PLATE STIFFENING, LEFT	RENFORCEMENT PLAQUE GAUCHE	LINKE PLATTE-VERSTAERKUNG
7	12792610/0	4	VITE	SCREW	VIS	SCHRAUBE
8	12293201/0	6	DADO	NUT	ECROU	MUTTER
9	12540260/0	1	ROSETTA	WASHER	RONDELLE	SCHEIBE
10	82800019/0	1	SUPPORTO PEDANA DESTRA	RIGHT FOOTBOARD SUPPORT	MARCHEPIED DROITE SUPPORT	RECHTE FUSSBRETTHALTER
11	82800021/0	1	SUPPORTO PEDANA SINISTRA	LEFT FOOTBOARD SUPPORT	SUPPORT MARCHEPIED GAUCHE	LINKE FUSSBRETTHALTER
12	12815240/0	4	VITE	SCREW	VIS	SCHRAUBE
13	12523040/0	4	ROSETTA	WASHER	RONDELLE	SCHEIBE
14	12154510/0	4	DADO	NUT	ECROU	MUTTER
15	25785119/1	1	SUPPORTO SEDILE	SEAT SUPPORT	SUPPORT SIEGE	SITZHALTER
16	12360420/0	2	DADO	NUT	ECROU	MUTTER
17	25650055/0	2	RINFORZO	PLATE STIFFENING	RENFORCEMENT PLAQUE	PLATTEVERSTAERKUNG
18	25755008/0	2	SQUADRETTA	BRACKET	EQUERRE-SUPPORT	WINKEL
19	12792610/0	2	VITE	SCREW	VIS	SCHRAUBE
20	12293201/0	2	DADO	NUT	ECROU	MUTTER
21	12790780/0	4	VITE	SCREW	VIS	SCHRAUBE
22	12292102/0	4	DADO	NUT	ECROU	MUTTER
23	25785057/0	1	SUPPORTO	SUPPORT	SUPPORT	HALTER
24	12790780/0	4	VITE	SCREW	VIS	SCHRAUBE
25	12292102/0	4	DADO	NUT	ECROU	MUTTER
26	25650056/0	1	RINFORZO	PLATE STIFFENING	RENFORCEMENT PLAQUE	PLATTEVERSTAERKUNG
28	25755016/0	1	SQUADRETTA	BRACKET	EQUERRE-SUPPORT	WINKEL
29	12789000/0	2	VITE	SCREW	VIS	SCHRAUBE
30	12154330/0	2	DADO	NUT	ECROU	MUTTER
31	82869011/0	1	PROTEZIONE SILENZIATORE	MUFFLER PROTECTION	PROTECTION SILENCIEUX	AUSPUFFSCHUTZ





N.	CODE	Q.TY	DESCRIZIONE	DESCRIPTION	DESCRIPTION	BESCHREIBUNG
	82869006/0	1	PROTEZIONE SILENZIAT. (JTP)	MUFFLER PROTECTION (JTP)	PROTECTION SILEN. (JTP)	AUSPUFFSCHUTZ (JTP)
32	12734995/0	4	VITE	SCREW	VIS	SCHRAUBE
33	25580023/0	2	PIOLO GUIDACINGHIA (mecc.)	BELT GUIDE (mech.)	GUIDE DE COURROIRE (mec.)	RIEMENFÜHRUNG (mech.)
34	12360425/0	2	DADO (mecc.)	NUT (mech.)	ECROU (mec.)	MUTTER (mech.)
36	25547089/0	1	PIASTRINA DESTRA	RIGHT PLATE	PLAQUE DROITE	RECHTE PLATTE
37	25547091/0	1	PIASTRINA SINISTRA	LEFT PLATE	PLAQUE GAUCHE	LINKE PLATTE
38	12731580/0	4	VITE	SCREW	VIS	SCHRAUBE
39	12792610/0	2	VITE	SCREW	VIS	SCHRAUBE
40	18566110/0	2	PUNTALE	CAP	BOUCHON	PFROPFEN
41	25580019/0	1	PIOLO GUIDACINGHIA	BELT GUIDE	GUIDE DE COURROIRE	RIEMENFÜHRUNG
42	12292102/0	2	DADO	NUT	ECROU	MUTTER
43	25547101/0	2	PIASTRINA	PLATE	PLAQUETTE	PLATTE
44	12793102/0	2	VITE	SCREW	VIS	SCHRAUBE
45	12155000/0	2	DADO	NUT	ECROU	MUTTER
46	22110275/0	1	TAPPO	CAP	BOUCHON	TANKVERSCHLUSS
47	25547109/0	2	PIASTRINA (JB)	PLATE (JB)	PLAQUE (JB)	PLATTE (JB)
51	22524970/1	2	PERNO	PIN	PIVOT	BOLZEN
52	12155010/0	2	DADO	NUT	ECROU	MUTTER
53	25430205/0	2	MOLLA	SPRING	RESSORT	FEDER
55	25943001/0	2	VITE	SCREW	VIS	SCHRAUBE
56	12293201/0	2	DADO	NUT	ECROU	MUTTER
58	12521350/0	2	RONDELLA	WASHER	RONDELLE	SCHEIBE
59	12523060/0	2	RONDELLA	WASHER	RONDELLE	SCHEIBE
<hr/>						
			Per modelli 92:	For models 92:	Pour modèles 92:	Bei Modellen 92:
1	82800059/1	1	TELAIO	CHASSIS	CHASSIS	RAHMENSATZ
6	82650201/0	1	RINFORZO DESTRO	PLATE STIFFENING, RIGHT	RENFORCEMENT PLAQUE,	RECHTE PLATTE-
54	25122000/1	2	CUFFIA	HOOD	PROTECTEUR	SCHUTZKASTEN
						DROIT
						VERSTAERKUNG
<hr/>						
			Per modelli 98s:	For models 98s:	Pour modèles 98s:	Bei Modellen 98s:
1	82800063/0	1	TELAIO	CHASSIS	CHASSIS	RAHMENSATZ
71	25270315/0	1	GUIDACINGHIA	BELT GUIDE	GUIDE DE COURROIRE	RIEMENFÜHRUNG
72	25774220/0	2	PIASTRINA	PLATE	PLAQUETTE	PLATTE
73	12734995/0	2	VITE	SCREW	VIS	SCHRAUBE
74	12521330/0	2	RONDELLA	WASHER	RONDELLE	SCHEIBE
75	25430244/0	1	MOLLA	SPRING	RESSORT	FEDER
76	25547106/0	1	PIASTRA	PLATE	PLAQUE	PLATTE
77	12793301/0	2	VITE	SCREW	VIS	SCHRAUBE
78	12293201/0	2	DADO	NUT	ECROU	MUTTER
79	12523060/0	2	RONDELLA	WASHER	RONDELLE	SCHEIBE
80	12293201/0	2	DADO	NUT	ECROU	MUTTER
81	82650203/0	1	RINFORZO	PLATE STIFFENING	RENFORCEMENT PLAQUE	PLATTEVERSTAERKUNG
82	12792611/0	1	VITE	SCREW	VIS	SCHRAUBE
83	12293201/0	1	DADO	NUT	ECROU	MUTTER
84	12691115/0	1	VITE	SCREW	VIS	SCHRAUBE
85	12521350/0	1	RONDELLA	WASHER	RONDELLE	SCHEIBE
86	12155000/0	1	DADO	NUT	ECROU	MUTTER
87	12791213/0	4	VITE	SCREW	VIS	SCHRAUBE
88	12523040/0	4	RONDELLA	WASHER	RONDELLE	SCHEIBE
89	12154510/0	4	DADO	NUT	ECROU	MUTTER
90	25755025/0	1	SQUADRETTA	BRACKET	EQUERRE-SUPPORT	WINKEL
91	12731580/0	2	VITE	SCREW	VIS	SCHRAUBE

J	JP	JT	JR	JTP	JB
92	92 hydro	98s	98s hydro		

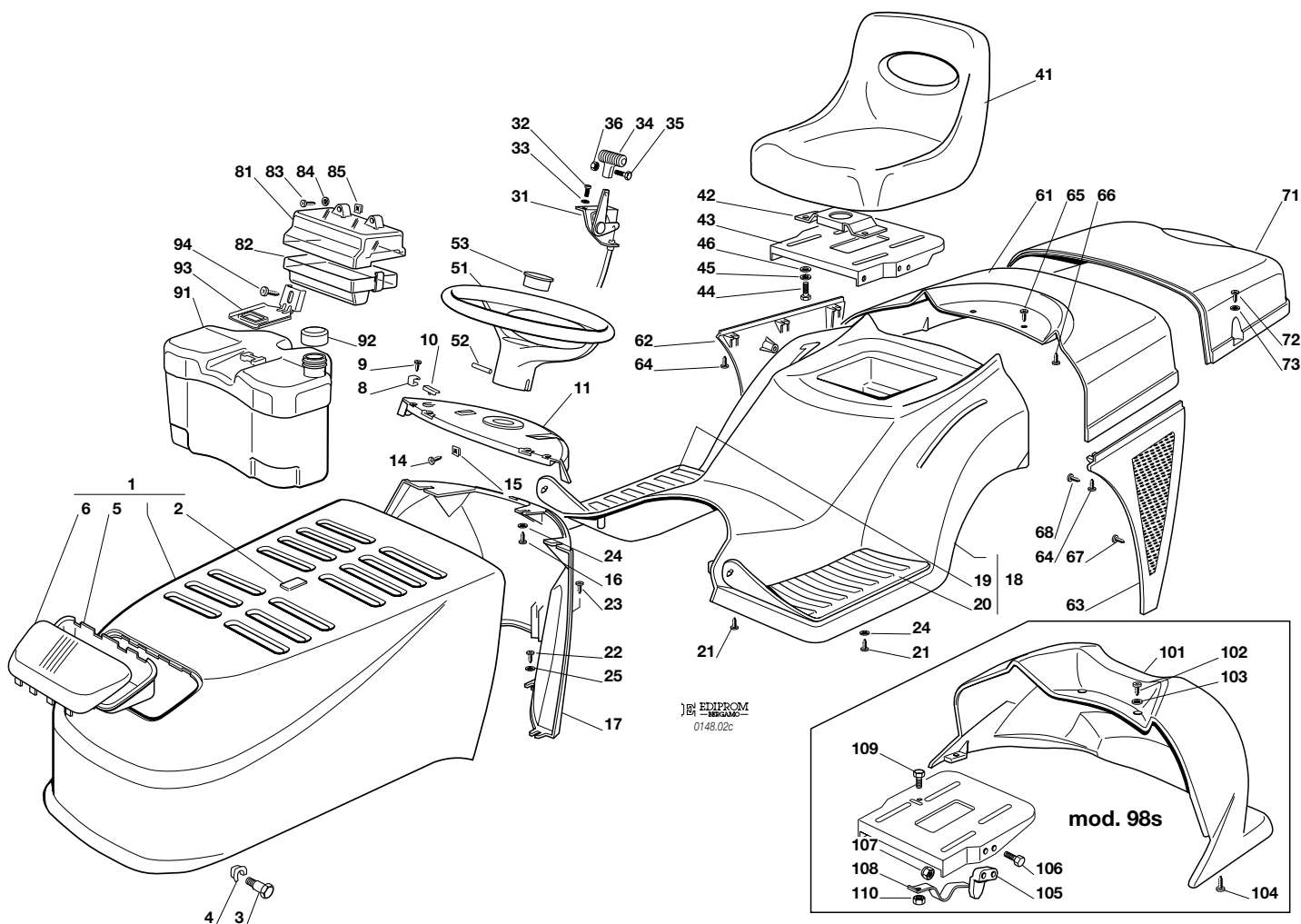


CARROZZERIA
BODY
CARROSSERIE
KARROSSERIE

2002

002c.0

1 / 2



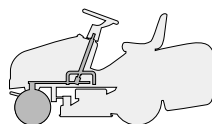
N.	CODE	Q.TY	DESCRIZIONE	DESCRIPTION	DESCRIPTION	BESCHREIBUNG
1	82076817/0 82076818/0 82076819/0	1	COFANO ROSSO VERDE GIALLO	ENGINE HOOD RED GREEN YELLOW	CAPOT ROUGE VERT JAUNE	HAUBESATZ ROT GRÜN GELB
2	25547016/1 25547015/0 25547014/0	1	PIASTRINA ROSSA VERDE GIALLA	PLATE RED GREEN YELLOW	PLAQUE ROUGE VERT JAUNE	PLATTE ROT GRÜN GELB
3	25510023/1	2	PERNO	PIN	PIVOT	BOLZEN
4	12436050/0	2	PIASTRINA	PLATE	PLAQUE	PLATTE
5	25485001/0	1	PARABOLA FARI	LIGHTS PARABOLA	PARABOLE	SCHEINWERFERPARABEL
6	25410865/0	1	MASCHERINA	GRILL	PANNEAU	SCHUTZ
8	25430215/0	2	MOLLA AGGANCIAMENTO	COUPLING SPRING	RESSORT ACCROCHAGE	KUPPLUNGSFEDER
9	12728450/0	2	VITE	SCREW	VIS	SCHRAUBE
10	25260000/0	2	GOMMINO	GROMMET	PROTECTION	SCHUTZ
11	25120151/0	1	CRUSCOTTO	DASHBOARD	TABLEAU COMMANDES	KONSOLE
14	12735110/0	2	VITE	SCREW	VIS	SCHRAUBE
15	12437502/0	2	PIASTRINA	PLATE	PLAQUE	PLATTE
16	12735402/0	3	VITE	SCREW	VIS	SCHRAUBE
17	25785062/0	1	SUPPORTO CRUSCOTTO	DASHBOARD SUPPORT	SUPPORT TABLEAU COMM.	KONSOLEHALTER
18	82110001/2 82110002/2 82110003/2	1	COPERTURA RUOTE ROSSO VERDE GIALLO	WHEELS COVER RED GREEN YELLOW	COUVRE-ROUES ROUGE VERT JAUNE	RADENKAPPE ROT GRÜN GELB
18	82110007/2 82110008/2 82110009/2	1	COPERTURA RUOTE (hydro) ROSSO VERDE GIALLO	WHEELS COVER (hydro) RED GREEN YELLOW	COUVRE-ROUES (hydro) ROUGE VERT JAUNE	RADENKAPPE (hydro) ROT GRÜN GELB
19	25110264/1	1	COPRIPEDANA DESTRA	RIGHT FOOTBOARD COVER	COUVRE MARCHEPIED DRO.	RECHTE FUSSBRETTDECKEL
20	25110263/1	1	COPRIPEDANA SINISTRA	LEFT FOOTBOARD COVER	COUVRE MARCHEPIED GAU.	LINKE FUSSBRETTDECKEL
21	12735410/0	6	VITE	SCREW	VIS	SCHRAUBE
22	12735402/0	4	VITE	SCREW	VIS	SCHRAUBE
23	12728680/0	1	VITE	SCREW	VIS	SCHRAUBE





N.	CODE	Q.TY	DESCRIZIONE	DESCRIPTION	DESCRIPTION	BESCHREIBUNG
24	12523040/0	5	ROSETTA	WASHER	RONDELLE	SCHEIBE
25	12523050/0	4	ROSETTA	WASHER	RONDELLE	SCHEIBE
31	82000207/0	1	ACCELERATORE	ACCELERATOR	ACCELERATEUR	GAS ZUG
32	12788512/0	2	VITE	SCREW	VIS	SCHRAUBE
33	12581200/0	2	GROWER	GROWER	GROWER	GROWER
34	25394501/0	1	MANOPOLINA	HANDLE	POIGNE	GRIF
35	12726388/0	1	VITE	SCREW	VIS	SCHRAUBE
36	12290800/0	1	DADO	NUT	ECROU	MUTTER
41	25722453/1	1	SEDILE	SEAT	SIEGE	SITZ
42	25785114/0	1	SUPPORTO	SUPPORT	SUPPORT	HALTER
43	25547033/1	1	PIASTRA	PLATE	PLAQUE	PLATTE
44	12793101/0	4	VITE	SCREW	VIS	SCHRAUBE
45	12583500/0	4	GROWER	GROWER	GROWER	GROWER
46	12523060/0	4	RONDELLA	WASHER	RONDELLE	SCHEIBE
51	25961201/0	1	VOLANTE	STEERING WHEEL	VOLANT	LENKRAD
52	12620299/0	1	SPINA	PIN	GOUPILLE	STIFT
53	25120230/0	1	TAPPO	CAP	BOUCHON	STOPFEN
81	25600020/0	1	PROTEZIONE SUPERIORE	UPPER GUARD	PROTECTION SUPERIEUR	OBERSCHUTZ
82	25600021/1	1	PROTEZIONE INFERIORE	LOWER GUARD	PROTECTION INFERIEUR	UNTERSCHUTZ
83	12728460/0	2	VITE	SCREW	VIS	SCHRAUBE
84	12521320/0	2	ROSETTA	WASHER	RONDELLE	SCHEIBE
85	12437502/0	2	PIASTRINA	PLATE	PLAQUE	PLÄTTE
91	25735116/1	1	SERBATOIO	TANK	RESERVOIR	TANK
92	25795000/0	1	TAPPO	CAP	BOUCHON	TANKVERSCHLUSS
93	25774258/0	1	SUPPORTO	SUPPORT	SUPPORT	HALTER
94	12735110/0	1	VITE	SCREW	VIS	SCHRAUBE
			Per modelli 92:	For models 92:	Pour modèles 92:	Bei Modellen 92:
61	25110179/0	1	COPERTURA ROSSO	COVER RED	COUVRE ROUGE	KAPPE ROT
	25110199/0		VERDE	GREEN	VERT	GRÜN
	25110200/0		GIALLO	YELLOW	JAUNE	GELB
62	25600033/0	1	PROTEZIONE DESTRA, NERA	RIGHT GUARD, BLACK	PROTECTION DROITE, NOIR	RECHTE SCHUTZE, SCHWARZ
63	25600034/0	1	PROTEZIONE SINISTRA, NERA	LEFT GUARD, BLACK	PROTECTION GAUCHE, NOIR	LINKE SCHUTZE, SCHWARZ
64	12735402/0	6	VITE	SCREW	VIS	SCHRAUBE
65	12734995/0	2	VITE	SCREW	VIS	SCHRAUBE
66	12735402/0	2	VITE	SCREW	VIS	SCHRAUBE
67	12735402/0	3	VITE	SCREW	VIS	SCHRAUBE
68	12735402/0	4	VITE	SCREW	VIS	SCHRAUBE
71	25110178/1	1	COPERTURA SACCO ROSSO	GRASS-CATCHER COVER RED	COUVRE-BAC ROUGE	SACKKAPPE ROT
	25110196/1		VERDE	GREEN	VERT	GRÜN
	25110197/1		GIALLO	YELLOW	JAUNE	GELB
72	12729601/0	4	VITE	SCREW	VIS	SCHRAUBE
73	12521331/0	4	RONDELLA	WASHER	RONDELLE	SCHEIBE
			Per modelli 98s:	For models 98s:	Pour modèles 98s:	Bei Modellen 98s:
101	25110098/0	1	COPERTURA ROSSO	COVER RED	COUVRE ROUGE	KAPPE ROT
	25110096/0		VERDE	GREEN	VERT	GRÜN
	25110095/0		GIALLO	YELLOW	JAUNE	GELB
102	12735410/0	2	VITE	SCREW	VIS	SCHRAUBE
103	12521330/0	2	RONDELLA	WASHER	RONDELLE	SCHEIBE
104	12735402/0	2	VITE	SCREW	VIS	SCHRAUBE
105	27063021/0	1	CAMMA	CAM	CAME	NOCKEN
106	12789100/0	2	VITE	SCREW	VIS	SCHRAUBE
107	12154330/0	2	DADO	NUT	ECROU	MUTTER
108	25430223/0	1	MOLLA	SPRING	RESSORT	FEDER
109	12789000/0	1	VITE	SCREW	VIS	SCHRAUBE
110	12154330/0	1	DADO	NUT	ECROU	MUTTER

J	JP	JT	JR	JTP	JB
92	92 hydro	98s	98s hydro		

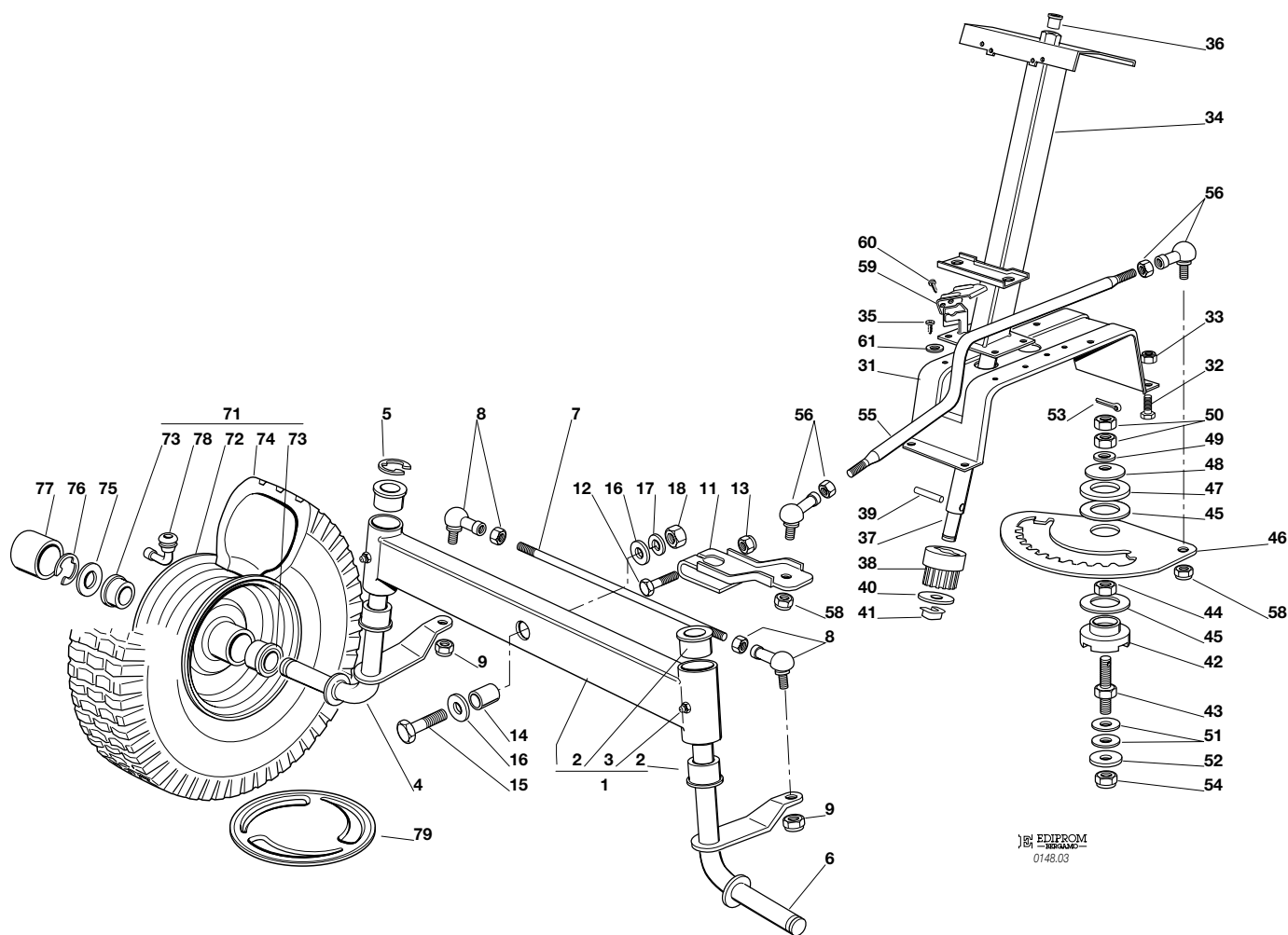


STERZO
STEERING
BARRE DE DIRECTION
LENKGETRIEBE

2002

003.0

1 / 2



J&B EDIPROM
0148.03

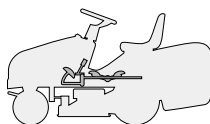
N.	CODE	Q.TY	DESCRIZIONE	DESCRIPTION	DESCRIPTION	BESCHREIBUNG
1	82034008/0	1	BILANCIERE CON BOCCOLA ED INGRASSATORE	EQUALIZER WITH BUSH AND LUBRICATOR	BALANCIER AVEC DOUILLE ET GRAISSEUR	KIPPHEBEL MIT BÜCHSE UND FETTBÜCHSE
2	25034002/1	4	BOCCOLA	BUSH	DOUILLE	BÜCHSE
3	12379511/0	2	INGRASSATORE	GREASE DISPENSER	GRAISSEUR	FETTBÜCHSE
4	82230355/0	1	FUSELLO DESTRO	RIGHT STUB AXLE	FUSEAU DROITE	RECHTER ACHSSCHENKEL
5	12001000/0	1	ANELLO ELASTICO	SNAP RING	ANNEAU RESSORT	SPRENGRING
6	82230357/0	1	FUSELLO SINISTRO	LEFT STUB AXLE	FUSEAU GAUCHE	LINKER ACHSSCHENKEL
7	25840006/0	1	TIRANTE COLLEG. FUSELLI	TIE ROD	TIRANT	SPANNSTANGE
8	22746600/0	2	SNODO	JOINT	JOINT	GELENK
9	12156602/0	2	DADO	NUT	ECROU	MUTTER
11	25318142/0	1	LEVA	LEVER	LEVIER	HEBEL
12	12692390/0	1	VITE	SCREW	VIS	SCHRAUBE
13	12156602/0	1	DADO	NUT	ECROU	MUTTER
14	25160016/0	1	DISTANZIALE	SPACER	ENTRETOISE	ENTFERNUNGSSTÜCK
15	12692695/0	1	VITE	SCREW	VIS	SCHRAUBE
16	12523100/0	2	RONDELLA	WASHER	RONDELLE	SCHEIBE
17	12587100/0	1	GROWER	GROWER	GROWER	GROWER
18	12295300/0	1	DADO	NUT	ECROU	MUTTER
31	25785101/0	1	SUPPORTO	SUPPORT	SUPPORT	HALTER
32	12792611/0	4	VITE	SCREW	VIS	SCHRAUBE
33	12155000/0	4	DADO	NUT	ECROU	MUTTER
34	82785101/0	1	SUPPORTO	SUPPORT	SUPPORT	HALTER
35	12735120/0	4	VITE	SCREW	VIS	SCHRAUBE
36	25038003/0	1	BOCCOLA	BUSH	DOUILLE	BÜCHSE
37	25520003/0	1	PIANTONE	STEERING COLUMN	TUBE DE DIRECTION	LENKUNGSÄULE
38	25570000/0	1	PIGNONE	PINION	PIGNON	RITZEL
39	12622650/0	1	SPINA	PIN	GOUPILLE	STIFT
40	12521370/0	1	RONDELLA	WASHER	RONDELLE	SCHEIBE
41	12436030/0	1	PIASTRINA	PLATE	PLAQUETTE	PLATTECHEN





N.	CODE	Q.TY	DESCRIZIONE	DESCRIPTION	DESCRIPTION	BESCHREIBUNG
42	25040617/0	1	BUSSOLA	BUSH	DOUILLE	BÜCHSE
43	25510065/1	1	PERNO	PIN	PIVOT	BOLZEN
44	12295200/0	1	DADO	NUT	ECROU	MUTTER
45	25670012/0	2	RONDELLA	WASHER	RONDELLE	SCHEIBE
46	25735507/0	1	SETTORE	STEERING SHAFT	ARBRE DIRECTION	LENKUNGSWELLE
47	25670014/0	1	RONDELLA	WASHER	RONDELLE	SCHEIBE
48	22160400/0	1	DISCO ELASTICO	ELASTIC WASHER	DISQUE ELASTIQUE	FEDERSCHEIBE
49	12521360/0	1	ROSETTA	WASHER	RONDELLE	SCHEIBE
50	12295200/0	2	DADO	NUT	ECROU	MUTTER
51	22672150/0	2	RONDELLA	WASHER	RONDELLE	SCHEIBE
52	12523080/0	1	RONDELLA	WASHER	RONDELLE	SCHEIBE
53	12141418/0	1	COPPIGLIA	COTTER PIN	GOUPILLE	SPLIT
54	12156602/0	1	DADO	NUT	ECROU	MUTTER
55	25033025/0	1	ASTA COM. STERZO	STEERING ROD	LEVIER BARRE DE	LENKUNGSSTAB
				DIRECTION		
56	22746600/0	2	SNODO	JOINT	JOINT	GELENK
58	12156602/0	2	DADO	NUT	ECROU	MUTTER
59	25600036/0	1	PROTEZIONE MICRO (hydro)	MICRO PROTECTION (hydro)	PROTECTION MICRO (hydro)	SCHUTZ (hydro)
60	12727810/0	2	VITE (hydro)	SCREW (hydro)	VIS (hydro)	SCHRAUBE (hydro)
61	12521330/0	2	RONDELLA (J - JP)	WASHER (J - JP)	RONDELLE (J - JP)	SCHEIBE (J - JP)
71	☛	2	RUOTA ANTERIORE	FRONT WHEEL	ROUE AVANT	VORDERRAD
	82680002/1		TURF SAVER CARLISLE	TURF SAVER CARLISLE	TURF SAVER CARLISLE	TURF SAVER CARLISLE
	82680005/0		DELI TIRE	DELI TIRE	DELI TIRE	DELI TIRE
72	82000590/0	2	CERCHIO RUOTA	RIMM	BANDAGE ROUE	VORDERRAD FELGER
73	25122200/2	4	CUSCINETTO	BEARING	ROULEMENT	LAGER
74	☛	2	PNEUMATICO	SHOE	PNEU	REIFEN
	25590000/0		TURF SAVER CARLISLE	TURF SAVER CARLISLE	TURF SAVER CARLISLE	TURF SAVER CARLISLE
	25590002/0		DELI TIRE	DELI TIRE	DELI TIRE	DELI TIRE
75	25670005/1	2	RONDELLA	WASHER	RONDELLE	SCHEIBE
76	12001000/0	2	ANELLO ELASTICO	SNAP RING	ANNEAU RESSORT	SPRENGRING
77	22110230/0	2	COPRIMOZZO	HUB COVER	COUVRE MOYEU	NABEDECKEL
78	25950002/0	2	VALVOLA	VALVE	SOUPAPE	VENTIL
79	82110252/0	2	COPRIMOZZO	HUB COVER	COUVRE MOYEU	NABEDECKEL

J	JP	JT	JR	JTP	JB
92	92 hydro	98s	98s hydro		

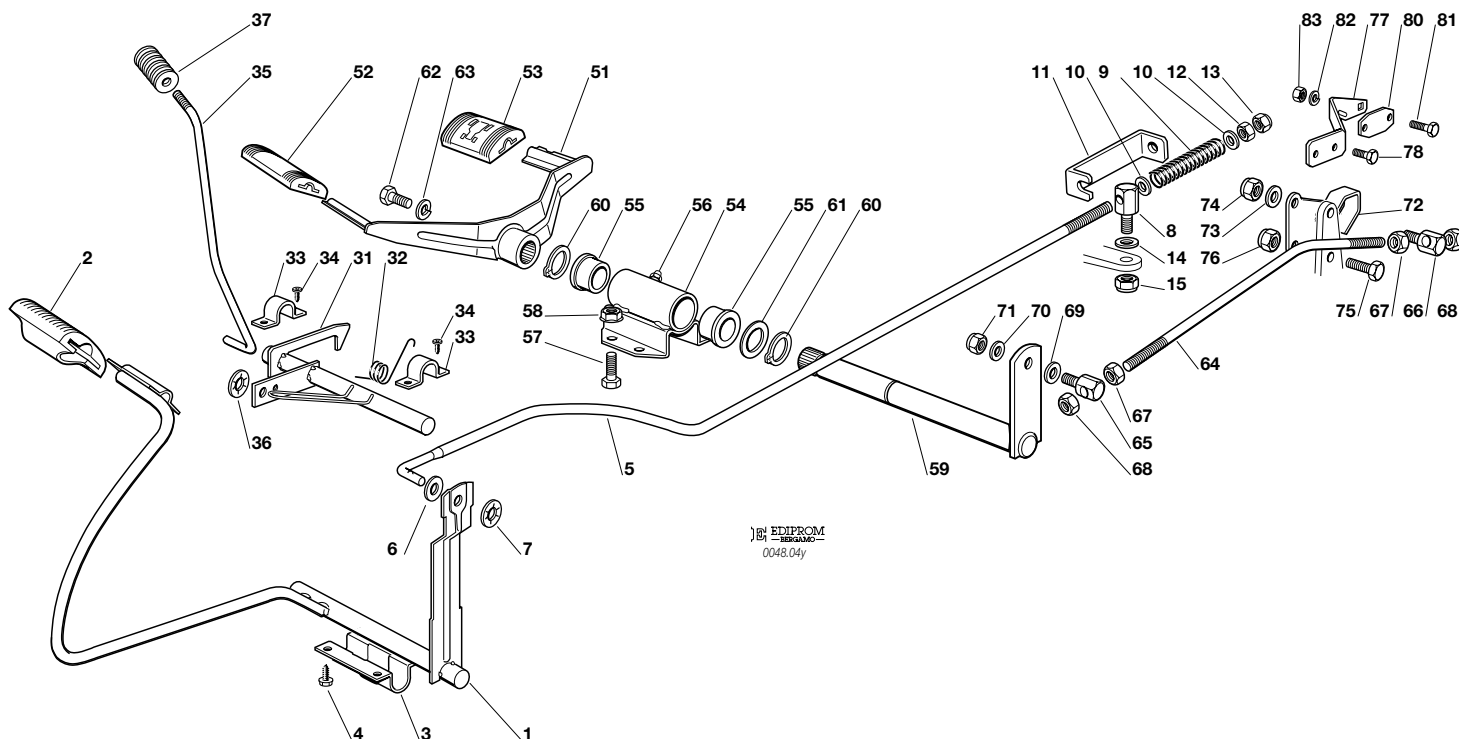


COMANDO TRASMISSIONE E FRENO
DRIVE AND BRAKE CONTROLS
COMMANDE TRANSMISSION ET FREIN
GETRIEBE UND BREMSE ANTRIEB

2002

004Y.0

1 / 2



EDIPROM
0048.04y

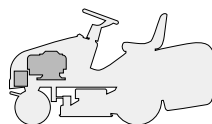
N.	CODE	Q.TY	DESCRIZIONE	DESCRIPTION	DESCRIPTION	BESCHREIBUNG
1	82500017/0	1	PEDALE	PEDAL	PEDAL	PEDAL
2	25110267/0	1	COPRISTAFFA	CLAMP COVER	COUVRE ETRIER	BRIDEDECKEL
3	25547039/0	1	PIASTRINA	PLATE	PLAQUE	PLATTE
4	12731601/0	4	VITE	SCREW	VIS	SCHRAUBE
5	25033041/0	1	ASTA	ROD	BARRE	STANGE
6	12521350/0	1	ROSETTA	WASHER	RONDELLE	SCHEIBE
7	12604899/0	1	FISSATORE A CORONA	CROWN FASTENER	FIXATEUR A COURONNE	KRONESCHEIBE
8	25510067/0	1	PERNO	PIN	PIVOT	BOLZEN
9	25430236/0	1	MOLLA	SPRING	RESSORT	FEDER
10	12521360/0	2	ROSETTA	WASHER	RONDELLE	SCHEIBE
11	25774275/0	1	STAFFA	CLAMP	ETRIER	BRIDE
12	12295200/0	1	DADO	NUT	ECROU	MUTTER
13	12156602/0	1	DADO	NUT	ECROU	MUTTER
14	12521350/0	1	RONDELLA	WASHER	RONDELLE	SCHEIBE
15	12155000/0	1	DADO	NUT	ECROU	MUTTER
31	82000361/0	1	ASSE AZIONAM. MICRO	AXLE	AXE	ACHSE
32	25430234/0	1	MOLLA	SPRING	RESSORT	FEDER
33	25547049/0	2	PIASTRINA	PLATE	PLAQUE	PLATTE
34	12731601/0	4	VITE	SCREW	VIS	SCHRAUBE
35	25033043/0	1	ASTA	ROD	BARRE	STANGE
36	12604898/0	1	FISSATORE A CORONA	CROWN FASTENER	FIXATEUR A COURONNE	KRONESCHEIBE
37	27395050/1	1	MANOPOLA	KNOB	POIGNEE	KNOPF
51	82500008/0	1	PEDALE AVANZAMENTO	DRIVE PEDAL	PEDALE TRANSMISSION	GETRIEBEPEDAL
52	25110265/0	1	COPRISTAFFA ANTERIORE	CLAMP COVER FRONT	COUVRE ETRIER AVANT	BRIDEDECKEL VORDE
53	25110266/0	1	COPRISTAFFA POSTERIORE	CLAMP COVER REAR	COUVRE ETRIER ARRIERE	BRIDEDECKEL HINTER
54	82785079/0	1	SUPPORTO	SUPPORT	SUPPORT	HALTER
55	25034002/1	2	BRONZINA	BUSH	DOUILLE	BÜCHSE





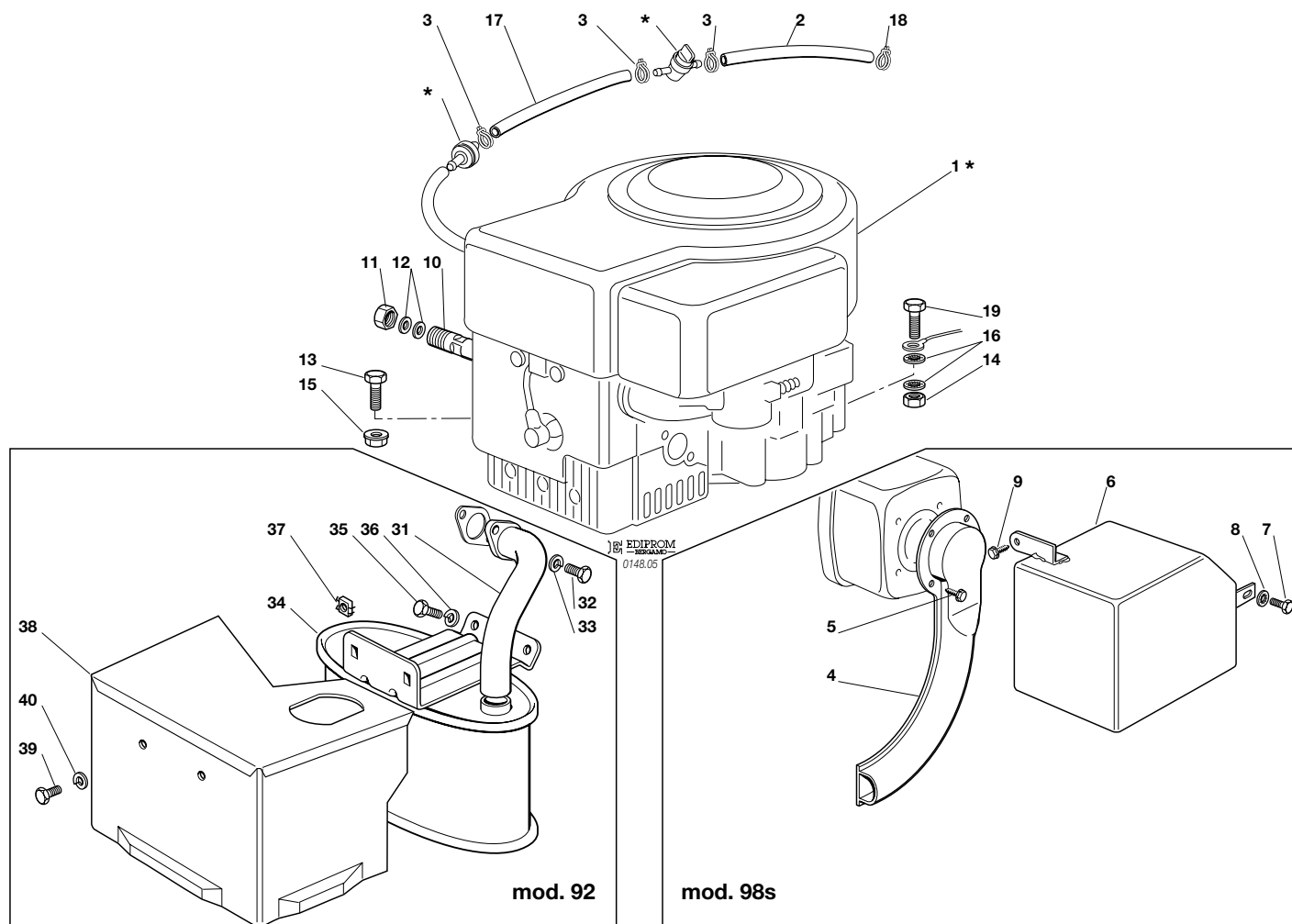
N.	CODE	Q.TY	DESCRIZIONE	DESCRIPTION	DESCRIPTION	BESCHREIBUNG
56	12379511/0	1	INGRASSATORE	GREASE DISPENSER	GRAISSEUR	FETTBÜCHSE
57	12791011/0	2	VITE	SCREW	VIS	SCHRAUBE
58	12292102/0	2	DADO	NUT	ECROU	MUTTER
59	82318183/0	1	LEVA	GEARSHIFT	LEVIER	HEBEL
60	12609260/0	2	SEEGER	SEEGER	SEEGER	SEEGER
61	22672153/0	1	RONDELLA	WASHER	RONDELLE	SCHEIBE
62	12792612/0	1	VITE	SCREW	VIS	SCHRAUBE
63	12583501/0	1	GROWER	GROWER	GROWER	GROWER
64	25033042/0	1	ASTA	ROD	BARRE	STANGE
65	25510054/0	1	PERNO	PIN	PIVOT	BOLZEN
66	25510066/0	1	PERNO	PIN	PIVOT	BOLZEN
67	12293200/0	2	DADO	NUT	ECROU	MUTTER
68	12155000/0	2	DADO	NUT	ECROU	MUTTER
69	12521360/0	1	RONDELLA	WASHER	RONDELLE	SCHEIBE
70	12521340/0	1	RONDELLA	WASHER	RONDELLE	SCHEIBE
71	12154510/0	1	DADO	NUT	ECROU	MUTTER
72	82774231/0	1	CAMMA	CAM	CAME	KAMM
73	12523040/0	1	RONDELLA	WASHER	RONDELLE	SCHEIBE
74	12154510/0	1	DADO	NUT	ECROU	MUTTER
75	12791213/0	1	VITE	SCREW	VIS	SCHRAUBE
76	12154510/0	1	DADO	NUT	ECROU	MUTTER
77	25774289/0	1	STAFFA	CLAMP	ETRIER	BRIDE
78	12735110/0	2	VITE	SCREW	VIS	SCHRAUBE
80	27546019/0	1	PIASTRINA	PLATE	PLAQUETTE	PLATTE
81	12735597/0	2	VITE	SCREW	VIS	SCHRAUBE
82	12581100/0	2	GROWER	GROWER	GROWER	GROWER
83	12290791/0	2	DADO	NUT	ECROU	MUTTER

J	JP	JT	JR	JTP	JB
92	92 hydro	98s	98s hydro		



MOTORE
ENGINE
MOTEUR
MOTOR
12 - 12,5 - 13,5 HP B&S

2002
005.0
1 / 2



N.	CODE	Q.TY	DESCRIZIONE	DESCRIPTION	DESCRIPTION	BESCHREIBUNG
1*	—	1	MOTORE	ENGINE	MOTEUR	MOTOR
2	25869016/0	1	TUBO COLLEGAMENTO	CONNECTING TUBE	TUBE DE CONNEXION	VERBINDUNGSROHR
3	18375051/1	3	FASCETTA	FAIR LED	FIXATION DE CABLE	KABELBEFESTIGUNG
10	25598050/0	1	PROLUNGA SCARICO OLIO	OIL DISCHARGE EXTENSION	EXTENSION RALLONGE DE DECH. HUILE	ÖL ENTLEERUNGSVERLAENGERUNG
11	18737849/0	1	TAPPO PER PROLUNGA	OIL CAP	BOUCHON HUILE	OELVERSCHLUSS
12	18401001/0	2	GUARNIZIONE	OIL SEAL	GARNITURE	DICHTUNG
13	12691100/0	3	VITE	SCREW	VIS	SCHRAUBE
14	12293200/0	1	DADO	NUT	ECROU	MUTTER
15	12293201/0	3	DADO	NUT	ECROU	MUTTER
16	12540260/0	2	RONDELLA	WASHER	RONDELLE	SCHEIBE
17	25869006/0	1	TUBO COLLEGAMENTO	CONNECTING TUBE	TUBE DE CONNEXION	VERBINDUNGSROHR
18	18375053/0	1	FASCETTA	FAIR LED	FIXATION DE CABLE	KABELBEFESTIGUNG
19	12691115/0	1	VITE	SCREW	VIS	SCHRAUBE

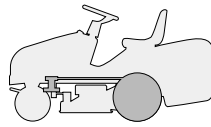
<i>Per modelli 92:</i>			<i>For models 92:</i>		<i>Pour modèles 92:</i>		<i>Bei Modellen 92:</i>	
31	18738223/0	1	TUBO RACCORDO SCARICO	EXHAUST CONNECTING TUBE	TUBE DE CONNEXION POUR ECHAPPEMENT	VERBINDUNGSROHR FÜR ABGASUNG		
32	12735530/0	2	VITE	SCREW	VIS	SCHRAUBE		
33	12583500/0	2	GROWER	GROWER	GROWER	GROWER		
34	82750005/0	1	SILENZIATORE	MUFFLER	SILENCEUX	AUSPUFF		
35	12793102/0	2	VITE	SCREW	VIS	SCHRAUBE		
36	12540260/0	2	RONDELLA	WASHER	RONDELLE	SCHEIBE		
37	12360425/0	2	DADO	NUT	ECROU	MUTTER		
38	82598025/0	1	PROTEZIONE SILENZIATORE	MUFFLER PROTECTION	PROTECTION SILENCEUX	AUSPUFFSCHUTZ		
39	12792611/0	2	VITE	SCREW	VIS	SCHRAUBE		
40	12583500/0	2	GROWER	GROWER	GROWER	GROWER		



N.	CODE	Q.TY	DESCRIZIONE	DESCRIPTION	DESCRIPTION	BESCHREIBUNG
			Per modelli 98s:	For models 98s:	Pour modèles 98s:	Bei Modellen 98s:
4	82640001/1	1	RACCORDO SCARICO	EXHAUST CONNECTION	CONNEXION ECHAPPEMENT	AUSPUFFANSCHLUSS
5	12735106/0	4	VITE	SCREW	VIS	SCHRAUBE
6	82598001/0	1	PROTEZIONE SILENZIATORE	MUFFLER PROTECTION	PROTECTION SILENCIEUX	AUSPUFFSCHUTZ
7	12735510/0	1	VITE	SCREW	VIS	SCHRAUBE
8	12540260/0	1	RONDELLA	WASHER	RONDELLE	SCHEIBE
9	12735104/0	1	VITE	SCREW	VIS	SCHRAUBE

PER LA SOSTITUZIONE DELLE PARTI CONTRASSEGNALE CON «*» RIVOLGERSI AL SERVIZIO ASSISTENZA DEL COSTRUTTORE DEL MOTORE.
TO REPLACE THE PARTS MARKED «*» SEEK ASSISTANCE FROM THE ENGINE MANUFACTURER'S AFTER SALES SERVICE.
POUR LE REMPLACEMENT DES PIÈCES MARQUÉES AVEC «*» S'ADRESSER AU SERVICE APRÈS VENTES DU CONSTRUCTEUR DU MOTEUR.
ZUM AUSTAUSCH DER MIT «*» GEKENNZEICHNETEN TEILE, WENDEN SIE SICH AN DEN KUNDENDIENST DES HERSTELLERS DES MOTOR.

J	JP	JT	JR	JTP	JB
92	92 hydro	98s	98s hydro		

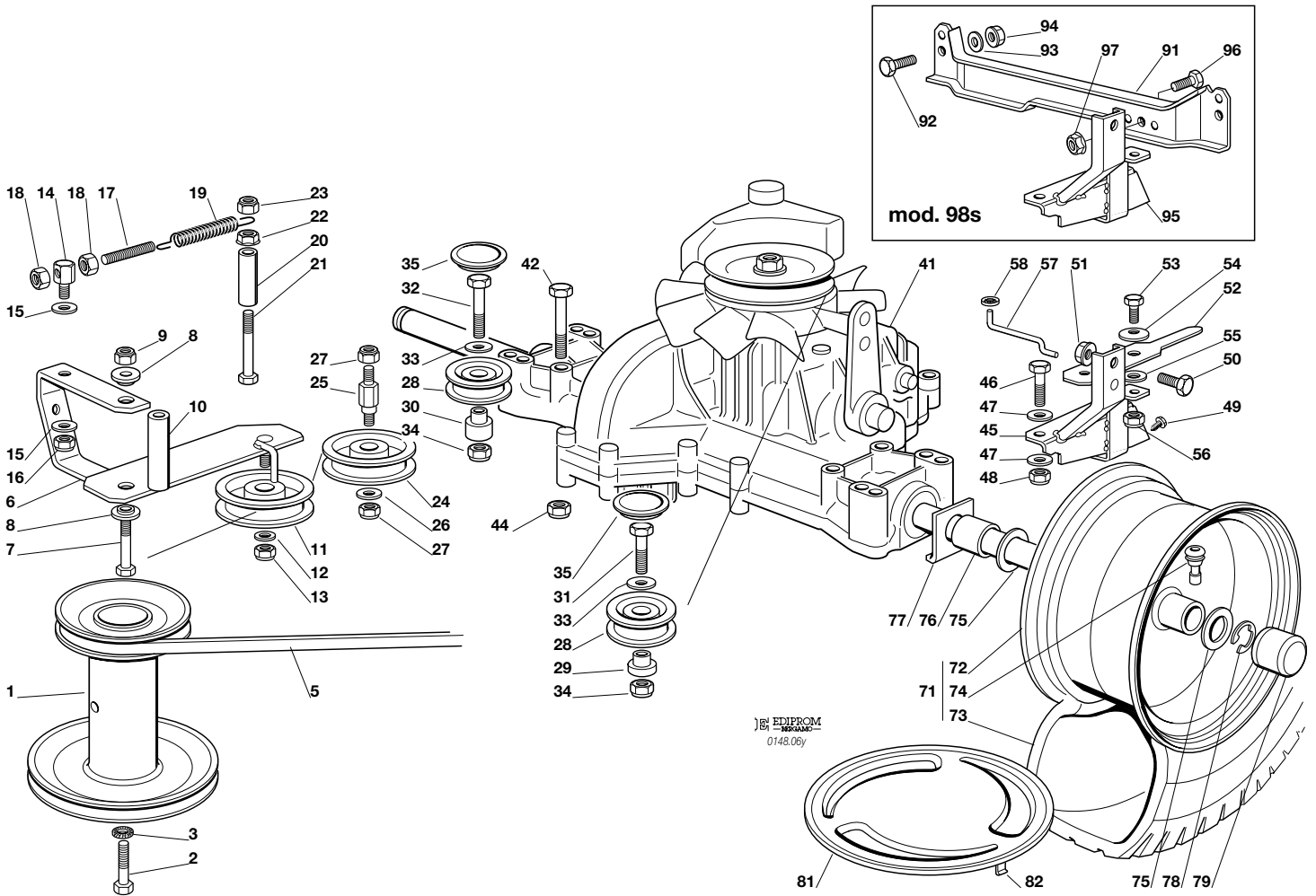


TRASMISSIONE
TRANSMISSION
TRANSMISSION
GETRIEBE

2002

006Y.0

1 / 2



N.	CODE	Q.TY	DESCRIZIONE	DESCRIPTION	DESCRIPTION	BESCHREIBUNG
1	25601548/1	1	PULEGGIA	PULLEY	POULIE	RIEMENSCHLEIBE
2	12737310/0	1	VITE	SCREW	VIS	SCHRAUBE
3	12543000/0	1	ROSETTA	WASHER	RONDELLE	SCHEIBE
5	35061980/0	1	CINGHIA	BELT	COURROIE	RIEMEN
6	82318133/0	1	LEVA	LEVER	LEVIER	HEBEL
7	12692080/0	1	VITE	SCREW	VIS	SCHRAUBE
8	25038002/1	2	BOCCOLA	BUSH	DOUILLE	BÜCHSE
9	12155000/0	1	DADO	NUT	ECROU	MUTTER
10	25160017/0	1	DISTANZIALE	SPACER	ENTRETOISE	ENTFERNUNGSSTÜCK
11	25601554/0	1	PULEGGIA	PULLEY	POULIE	RIEMENSCHLEIBE
12	12523060/0	1	RONDELLA	WASHER	RONDELLE	SCHEIBE
13	12155000/0	1	DADO	NUT	ECROU	MUTTER
14	25510040/1	1	PERNO	PIN	PIVOT	BOLZEN
15	25670011/0	2	RONDELLA	WASHER	RONDELLE	SCHEIBE
16	12155000/0	1	DADO	NUT	ECROU	MUTTER
17	25840005/0	1	TIRANTE	TIE ROD	TIRANT	SPANNSTANGE
18	12293200/0	2	DADO	NUT	ECROU	MUTTER
19	25430219/0	1	MOLLA	SPRING	RESSORT	FEDER
20	25160008/0	1	DISTANZIALE	SPACER	ENTRETOISE	ENTFERNUNGSSTÜCK
21	12692050/0	1	VITE	SCREW	VIS	SCHRAUBE
22	12293201/0	1	DADO	NUT	ECROU	MUTTER
23	12155000/0	1	DADO	NUT	ECROU	MUTTER
24	25601555/0	1	PULEGGIA	PULLEY	POULIE	RIEMENSCHLEIBE
25	25510036/0	1	PERNO	PIN	PIVOT	BOLZEN
26	12523060/0	1	RONDELLA	WASHER	RONDELLE	SCHEIBE
27	12155000/0	2	DADO	NUT	ECROU	MUTTER
28	25601570/0	2	PULEGGIA	PULLEY	POULIE	RIEMENSCHLEIBE
29	25160030/0	1	DISTANZIALE SINISTRO	LEFT SPACER	ENTRETOISE GAUCHE	LINKER ENTFERNUNGSSTÜCK
30	25160024/1	1	DISTANZIALE DESTRO	RIGHT SPACER	ENTRETOISE DROITE	RECHTER ENTFERNUNGSSTÜCK





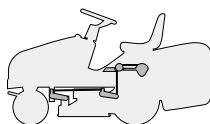
N.	CODE	Q.TY	DESCRIZIONE	DESCRIPTION	DESCRIPTION	BESCHREIBUNG
31	12691115/0	1	VITE SINISTRA	LEFT SCREW	VIS GAUCHE	LINKE SCHRAUBE
32	12691400/0	1	VITE DESTRA	RIGHT SCREW	VIS DROITE	RECHTE SCHRAUBE
33	12523060/0	2	RONDELLA	WASHER	RONDELLE	SCHEIBE
34	12155000/0	2	DADO	NUT	ECROU	MUTTER
35	25109521/1	2	COPERCHIO	COVER	COUVERCLE	DECKEL
41*	18400960/0	1	ASSE POSTERIORE	REAR AXLE	AXE ARRIERE	HINTERACHSE
42	12691800/0	4	VITE	SCREW	VIS	SCHRAUBE
44	12154210/0	4	DADO	NUT	ECROU	MUTTER
46	12691200/0	1	VITE	SCREW	VIS	SCHRAUBE
47	12521350/0	2	RONDELLA	WASHER	RONDELLE	SCHEIBE
48	12155000/0	1	DADO	NUT	ECROU	MUTTER
50	12792611/0	1	VITE	SCREW	VIS	SCHRAUBE
51	12293201/0	1	DADO	NUT	ECROU	MUTTER
52	25318157/0	1	LEVA	LEVER	LEVIER	HEBEL
53	12793102/0	1	VITE	SCREW	VIS	SCHRAUBE
54	12369500/0	1	DISCO ELASTICO	ELASTIC WASHER	DISQUE ELASTIQUE	FEDERSCHEIBE
55	25670011/0	1	RONDELLA	WASHER	RONDELLE	SCHEIBE
56	12155000/0	1	DADO	NUT	ECROU	MUTTER
57	25033033/0	1	ASTA	ROD	BARRE	STANGE
58	12604896/0	1	FISSATORE A CORONA	CROWN FASTENER	FIXATEUR A COURONNE	KRONESCHEIBE
71	82680003/0	2	RUOTA POSTERIORE	REAR WHEEL	ROUE ARRIERE	HINTERRAD
	82680006/0		TURF SAVER CARLISLE DELI TIRE	TURF SAVER CARLISLE DELI TIRE	TURF SAVER CARLISLE DELI TIRE	TURF SAVER CARLISLE DELI TIRE
72	82000592/0	2	CERCHIO RUOTA	RIMM	BANDAGE ROUE	HINTRERRAD FELGER
73	25590001/0	2	PNEUMATICO	SHOE	PNEU	REIFEN
	25590003/0		TURF SAVER CARLISLE DELI TIRE	TURF SAVER CARLISLE DELI TIRE	TURF SAVER CARLISLE DELI TIRE	TURF SAVER CARLISLE DELI TIRE
74	25950000/0	2	VALVOLA	VALVE	SOUPAPE	VENTIL
75	25670005/1	4	RONDELLA	WASHER	RONDELLE	SCHEIBE
76	25160031/0	2	DISTANZIALE	SPACER	ENTRETOISE	ENTFERNUNGSSTÜCK
77	25670017/0	2	RONDELLA	WASHER	RONDELLE	SCHEIBE
78	12001010/0	2	ANELLO ELASTICO	SNAP RING	ANNEAU RESSORT	SPRENGRING
79	22110230/0	2	COPRIMOZZO	HUB COVER	COUVRE MOYEU	NABEDECKEL
81	82110253/0	2	COPRIRUOTA POST.	REAR WHEEL DECK	COUVRE ROUE POST.	HINTERRADDECKEL
82	25430209/0	8	MOLLA AGGANCIO	SPRING	RESSORT	FEDER
			Per modelli 92:	For models 92:	Pour modèles 92:	Bei Modellen 92:
45	82785117/0	1	SUPPORTO	SUPPORT	SUPPORT	HALTER
49	12735120/0	2	VITE	SCREW	VIS	SCHRAUBE
			Per modelli 98s:	For models 98s:	Pour modèles 98s:	Bei Modellen 98s:
91	25650087/0	1	RINFORZO	STIFFENING	RENFORCEMENT	VERSTAERKUNG
92	12793600/0	2	VITE	SCREW	VIS	SCHRAUBE
93	12521350/0	2	RONDELLA	WASHER	RONDELLE	SCHEIBE
94	12293201/0	2	DADO	NUT	ECROU	MUTTER
95	82785121/0	1	SUPPORTO	SUPPORT	SUPPORT	HALTER
96	12793611/0	1	VITE	SCREW	VIS	SCHRAUBE
97	12293201/0	1	DADO	NUT	ECROU	MUTTER

PER LA SOSTITUZIONE IN GARANZIA DELLE PARTI CONTRASSEGNAE CON «*» RIVOLGERSI AL SERVIZIO ASSISTENZA DEL COSTRUTTORE (TECUMSEH).

TO REPLACE UNDER GUARANTEE THE PARTS MARKED «*» SEEK ASSISTANCE FROM MANUFACTURER'S AFTER SALES SERVICE (TECUMSEH).
POUR LE REMPLACEMENT, SOUS GARANTIE DES PIÈCES MARQUÉES AVEC «*» S'ADRESSER AU SERVICE APRÈS VENTES DU CONSTRUCTEUR (TECUMSEH).

ZUM AUSTAUSCH DER MIT «*» GEKENNZEICHNETEN TEILE IM RAHMEN DER GARANTIE, WENDEN SIE SICH AN DEN KUNDENDIENST DES HERSTELLERS (TECUMSEH).

J	JP	JT	JR	JTP	JB
92	92 hydro	98s	98s hydro		

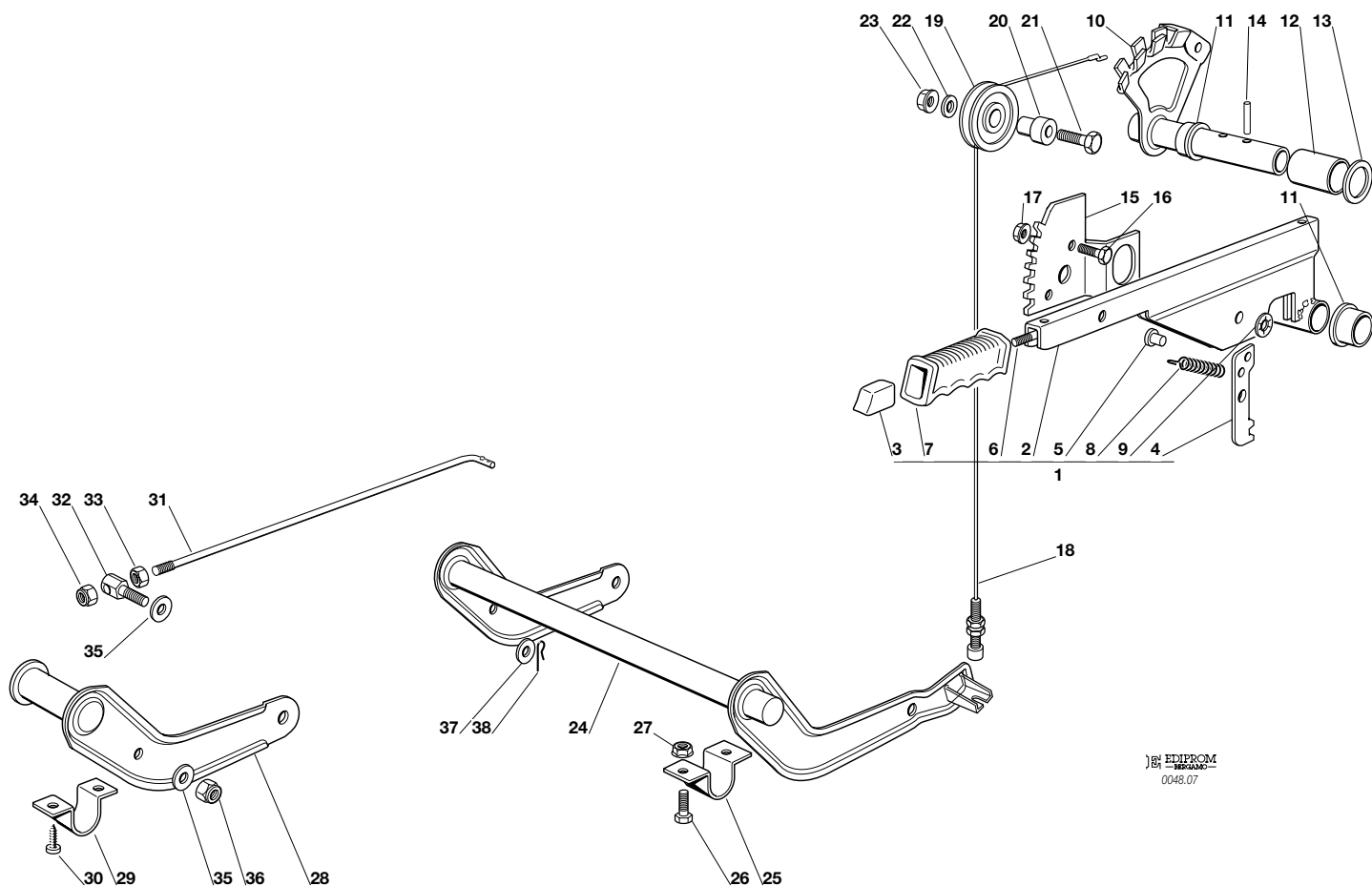


SOLLEVAMENTO PIATTO DI TAGLIO
CUTTING PLATE LIFTING
SOULEVEMENT PLATEAU DE COUPE
SCHNEIDWERKZEUG AUFHEBESATZ

2002

007.0

1 / 2



JB PROM
-REGAL-
0048.07

N.	CODE	Q.TY	DESCRIZIONE	DESCRIPTION	DESCRIPTION	BESCHREIBUNG
1	82300002/1	1	ASSIEME LEVA (2÷9)	LEVER ASS.Y (2÷9)	ENS. LEVIER (2÷9)	SCHNEIDWERKZEUG AUFHEBENHEBEL (2÷9)
2	82318139/0	1	LEVA	LEVER	LEVIER	HEBEL
3	25605000/1	1	PULSANTE	BUTTON	POUSSOIR	DRUCKKNOPF
4	25470901/0	1	NASELLO	DOG	DECLIC	NASE
5	25510011/0	1	PERNO	PIN	PIVOT	BOLZEN
6	25033002/0	1	ASTA	ROD	TIGE	STAB
7	25394504/1	1	MANOPOLA	KNOB	POIGNEE	GRIFF
8	25430208/0	1	MOLLA	SPRING	RESSORT	FEDER
9	12604899/0	1	RONDELLA	WASHER	RONDELLE	SCHEIBE
10	82000403/0	1	ASSE	AXLE	AXE	ACHSE
11	22034523/0	2	BOCCOLA	BUSH	DOUILLE	BÜCHSE
12	25160013/0	1	DISTANZIALE	SPACER	ENTRETOISE	ENTFERNUNGSSTÜCK
13	12521410/0	1	RONDELLA	WASHER	RONDELLE	SCHEIBE
14	12620206/0	2	SPINA	PIN	GOUPILLE	STIFT
15	25735506/1	1	SETTORE	SECTOR	SECTEUR	SEKTOR
16	12792611/0	2	VITE	SCREW	VIS	SCHRAUBE
17	12293201/0	2	DADO	NUT	ECROU	MUTTER
18	82004603/0	1	FILO	WIRE	FIL	KABEL
19	25601557/0	1	PULEGGIA	PULLEY	POULIE	RIEMENSCHIEBE
20	25510032/0	1	PERNO	PIN	PIVOT	BOLZEN
21	12691400/0	1	VITE	SCREW	VIS	SCHRAUBE
22	12523060/0	1	RONDELLA	WASHER	RONDELLE	SCHEIBE
23	12293201/0	1	DADO	NUT	ECROU	MUTTER
24	82000381/2	1	ASSE SOLLEVAMENTO	AXLE	AXE	ACHSE
25	25547037/0	2	PIASTRINA	PLATE	PLAQUE	PLATTE
26	12791011/0	4	VITE	SCREW	VIS	SCHRAUBE
27	12292102/0	4	DADO	NUT	ECROU	MUTTER
28	82318137/0	1	LEVA	LEVER	LEVIER	HEBEL
29	25547041/0	2	PIASTRINA	PLATE	PLAQUE	PLATTE
30	12731601/0	4	VITE	SCREW	VIS	SCHRAUBE

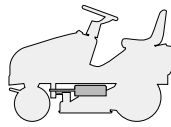




N.	CODE	Q.TY	DESCRIZIONE	DESCRIPTION	DESCRIPTION	BESCHREIBUNG
31	25033013/0	1	ASTA	ROD	TIGE	STAB
32	25510040/1	1	PERNO	PIN	PIVOT	BOLZEN
33	12293200/0	1	DADO	NUT	ECROU	MUTTER
34	12155000/0	1	DADO	NUT	ECROU	MUTTER
35	25670011/0	2	RONDELLA	WASHER	RONDELLE	SCHEIBE
36	12155000/0	1	DADO	NUT	ECROU	MUTTER
37	12521350/0	1	RONDELLA	WASHER	RONDELLE	SCHEIBE
38	24487997/0	1	COPPIGLIA	COTTER PIN	GOUPILLE	SPLIT

J JP JT JR JTP JB

92 92 hydro 98s 98s hydro

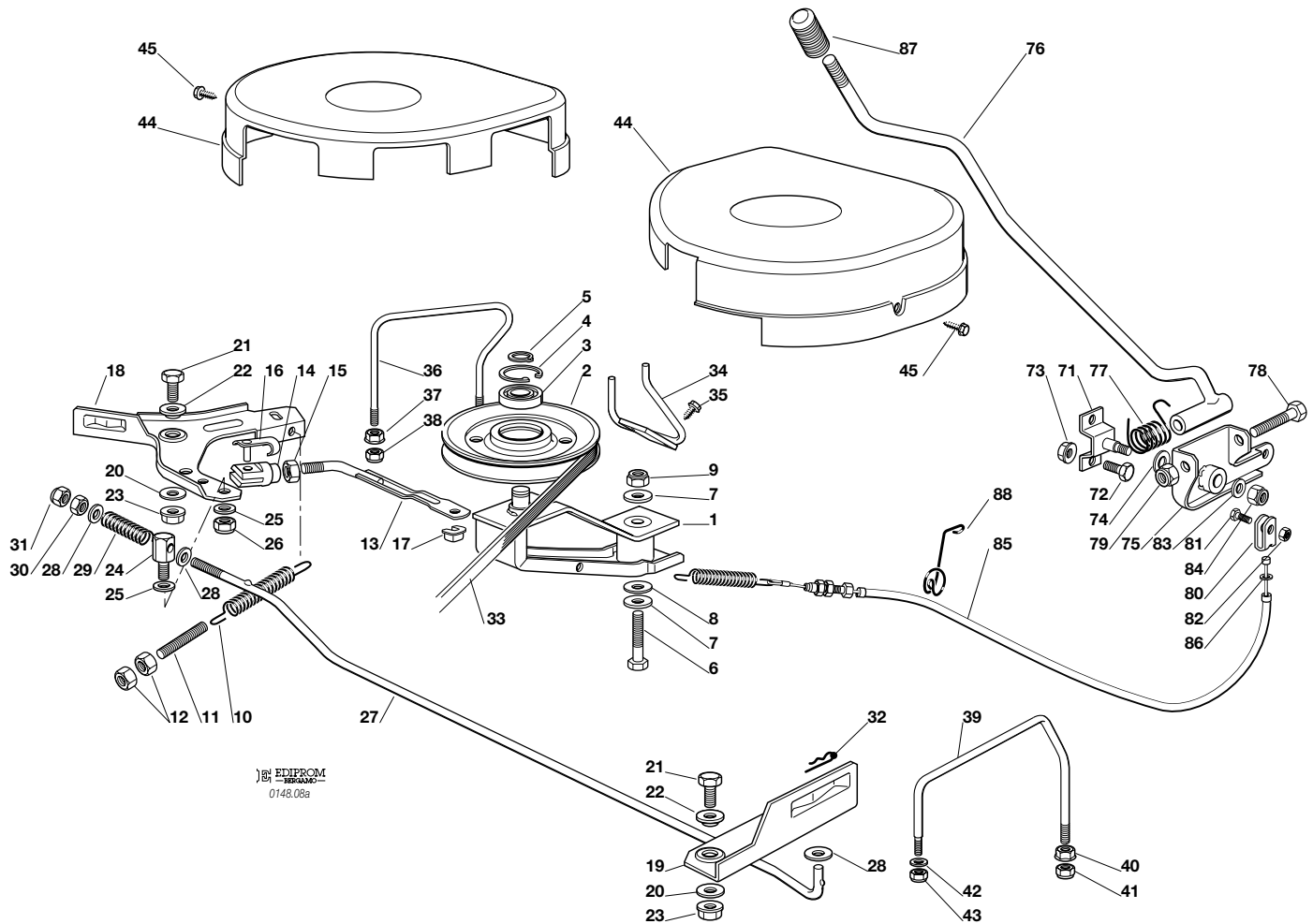


PIATTO DI TAGLIO (1)
CUTTING PLATE (1)
PLATEAU DE COUPE (1)
SCHNEIDWERKZEUG (1)

2002

008a.0

1 / 2



EMIPROM
0148.08a

N.	CODE	Q.TY	DESCRIZIONE	DESCRIPTION	DESCRIPTION	BESCHREIBUNG
1	82318141/1	1	LEVA	LEVER	LEVIER	HEBEL
2	25601572/0	1	PULEGGIA	PULLEY	POULIE	RIEMENSCHLEIBE
3	19216033/1	1	CUSCINETTO	BEARING	ROULEMENT	KUEGELLAGER
4	12610800/0	1	ANELLO ELASTICO	SNAP RING	ANNEAU RESSORT	SPRENGRING
5	12609200/0	1	ANELLO ELASTICO	SNAP RING	ANNEAU RESSORT	SPRENGRING
6	12691700/0	1	VITE	SCREW	VIS	SCHRAUBE
7	12523070/0	2	RONDELLA	WASHER	RONDELLE	SCHEIBE
8	22672152/0	1	RONDELLA	WASHER	RONDELLE	SCHEIBE
9	12155000/0	1	DADO	NUT	ECROU	MUTTER
10	22430214/0	1	MOLLA	SPRING	RESSORT	FEDER
11	25840005/0	1	TIRANTE	TIE ROD	TIRANT	SPANNSTANGE
12	12293200/0	2	DADO	NUT	ECROU	MUTTER
13	82000495/0	1	ASTA	ROD	TIGE	STAB
14	18393001/0	1	FORCELLA	FORK	FOURCHE	GABEL
15	12292100/0	1	DADO	NUT	ECROU	MUTTER
16	18210201/0	1	CLIP	CLIP	CLIP	SPERRBOLZEN
17	12436050/0	1	PIASTRINA	PLATE	PLAQUE	PLATTE
18	25318136/0	1	LEVA DESTRA	RIGHT LEVER	LEVIER DROITE	RECHTE HEBEL
19	25318135/0	1	LEVA SINISTRA	LEFT LEVER	LEVIER GAUCHE	LINKE HEBEL
20	22672152/0	2	RONDELLA	WASHER	RONDELLE	SCHEIBE
21	12792611/0	2	VITE	SCREW	VIS	SCHRAUBE
22	22041980/0	2	BUSSOLA	BUSH	DOUILLE	BUEHSE
23	12293201/0	2	DADO	NUT	ECROU	MUTTER
24	25510076/0	1	PERNO	PIN	PIVOT	BOLZEN
25	25670011/0	2	RONDELLA	WASHER	RONDELLE	SCHEIBE
26	12155000/0	1	DADO	NUT	ECROU	MUTTER
27	25033045/0	1	ASTA	ROD	TIGE	STAB
28	12521350/0	3	RONDELLA	WASHER	RONDELLE	SCHEIBE
29	25430243/0	1	MOLLA	SPRING	RESSORT	FEDER
30	12293200/0	1	DADO	NUT	ECROU	MUTTER
31	12155000/0	1	DADO	NUT	ECROU	MUTTER

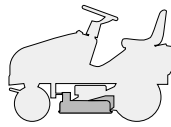




N.	CODE	Q.TY	DESCRIZIONE	DESCRIPTION	DESCRIPTION	BESCHREIBUNG
32	24487997/0	1	COPPIGLIA	COTTER PIN	GOUPILLE	SPLIT
33	35061503/0	1	CINGHIA	BELT	COURROIRE	KEILRIEMEN
34	25270311/0	1	GUIDACINGHIA	BELT GUIDE	GUIDE DE COURROIRE	RIEMENFÜHRUNG
35	12729601/0	2	VITE	SCREW	VIS	SCHRAUBE
36	25270313/0	1	GUIDACINGHIA	BELT GUIDE	GUIDE DE COURROIRE	RIEMENFÜHRUNG
37	12293201/0	2	DADO	NUT	ECROU	MUTTER
38	12155000/0	2	DADO	NUT	ECROU	MUTTER
39	25270312/0	1	GUIDACINGHIA	BELT GUIDE	GUIDE DE COURROIRE	RIEMENFÜHRUNG
40	12293201/0	1	DADO	NUT	ECROU	MUTTER
41	12155000/0	1	DADO	NUT	ECROU	MUTTER
42	12521330/0	1	RONDELLA	WASHER	RONDELLE	SCHEIBE
43	12154510/0	1	DADO	NUT	ECROU	MUTTER
44	25060106/0	2	CARTER	CASE	CARTER	BLECH
45	12735110/0	4	VITE	SCREW	VIS	SCHRAUBE
71	82785073/0	1	SUPPORTO	SUPPORT	SUPPORT	HALTER
72	12792611/0	2	VITE	SCREW	VIS	SCHRAUBE
73	12293201/0	2	DADO	NUT	ECROU	MUTTER
74	22672151/0	1	RONDELLA	WASHER	RONDELLE	SCHEIBE
75	82774204/1	1	STAFFA	CLAMP	BRIDE	BRIDE
76	82318135/0	1	LEVA	LEVER	LEVIER	HEBEL
77	25430227/0	1	MOLLA	SPRING	RESSORT	FEDER
78	12692050/0	1	VITE	SCREW	VIS	SCHRAUBE
79	12155000/0	1	DADO	NUT	ECROU	MUTTER
80	22061337/0	1	CAVALLOTTO	CONNECTING PLATE	PAQUE DE CONNEXION	BUGEL BOLZEN
81	12791213/0	1	VITE	SCREW	VIS	SCHRAUBE
82	12154510/0	1	DADO	NUT	ECROU	MUTTER
83	12523060/0	1	RONDELLA	WASHER	RONDELLE	SCHEIBE
84	12155010/0	1	DADO	NUT	ECROU	MUTTER
85	84207104/1	1	FILO	WIRE	FIL	KABEL
86	12523060/0	1	RONDELLA	WASHER	RONDELLE	SCHEIBE
87	25394510/0	1	MANOPOLA	KNOB	POIGNEE	GRIFF
88	27430557/0	1	MOLLA	SPRING	RESSORT	FEDER

J JP JT JR JTP JB

92 92 hydro 98s 98s hydro

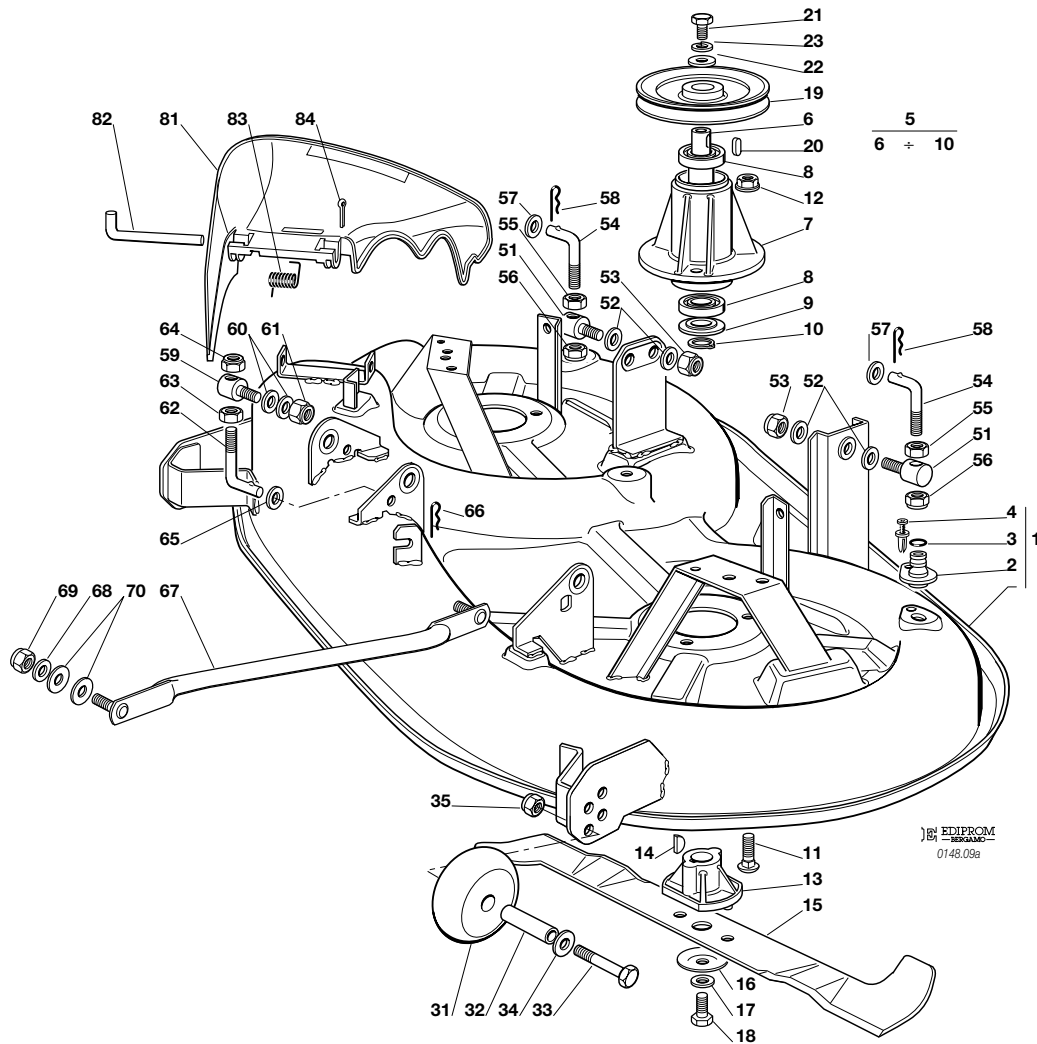


PIATTO DI TAGLIO (2)
CUTTING PLATE (2)
PLATEAU DE COUPE (2)
SCHNEIDWERKZEUG (2)

2002

009a.0

1 / 2



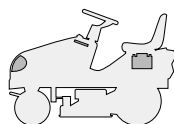
N.	CODE	Q.TY	DESCRIZIONE	DESCRIPTION	DESCRIPTION	BESCHREIBUNG
1	82564041/0	1	PIATTO	PLATE	PLATEAU	SCHNEID
2	25033060/0	2	ATTACCO	WATER HOSE CONNECTION	RACCORD TUYAU D'EAU	WASSERANSCHLUSS
3	19035000/0	2	ANELLO OR	O RING	O RING	O RING
4	12500030/0	2	RIVETTO	RIVET	RIVET	NIET
5	82207202/0	2	ASS. FLANGIA (6÷10)	FLANGE ASS.Y (6÷10)	ENSAMBLE BRIDE (6÷10)	NABE, KOMPLETT (6÷10)
6	25020802/0	2	ALBERO	SHAFT	ARBRE	WELLE
7	25207200/0	2	FLANGIA	FLANGE	BRIDE	FLANSCH
8	19216032/0	4	CUSCINETTO	BEARING	ROULEMENT	KUEGELLAGER
9	25160501/0	2	DISCO PARAPOLVERE	DUST COVER	PROTEGE-POUSSIERE	STAUBSCHUTSCHEIBE
10	12609260/0	2	SEEGER	SEEGER	SEEGER	SEEGER
11	12818700/0	6	VITE	SCREW	VIS	SCHRAUBE
12	12154210/0	6	DADO	NUT	ECROU	MUTTER
13	25463200/0	2	MOZZO COLTELLO	BLADE HUB	MOYEU LAME	MESSERHALTER
14	12139100/0	2	LINGUETTA	KEY	CLAVETTE	KEIL
15	82004346/0	2	COLTELLO	BLADE	LAME	MESSER
16	22160400/0	2	DISCO ELASTICO	SPRING WASHER	RONDELLE ELASTIQUE	SPRENGRING
17	12523080/0	2	RONDELLA	WASHER	RONDELLE	SCHEIBE
18	12735694/0	2	VITE	SCREW	VIS	SCHRAUBE
19	25601571/0	2	PULEGGIA	PULLEY	POULIE	RIEMENSCHIEBE
20	12139480/0	2	CHIAVETTA	KEY	CLAVETTE	KEIL
21	12793102/0	2	VITE	SCREW	VIS	SCHRAUBE
22	25670007/0	2	RONDELLA	WASHER	RONDELLE	SCHEIBE
23	12583500/0	2	GROWER	GROWER	GROWER	GROWER
31	82700002/0	2	RUOTINO ANTISCALPO	ANTI SCALP WHEEL	ROULETTES ANTISCALP	SKALPIERSCHUTZRÄDCHEN
32	25510072/2	2	DISTANZIALE	SPACER	ENTRETOISE	ENTFERNUNGSSTÜCK
33	12692050/0	2	VITE	SCREW	VIS	SCHRAUBE
34	12523060/0	2	RONDELLA	WASHER	RONDELLE	SCHEIBE
35	12293201/0	2	DADO	NUT	ECROU	MUTTER





N.	CODE	Q.TY	DESCRIZIONE	DESCRIPTION	DESCRIPTION	BESCHREIBUNG
—	82564040/0	1	PIATTO DI TAGLIO ASSEMBLATO (008a.0, 1÷35 + 009a.0, 1÷35)	CUTTING PLATE, ASSEMBLED (008a.0, 1÷35 + 009a.0, 1÷35)	PLATEAU DE COUPE, COMPLETE (008a.0, 1÷35 + 009a.0, 1÷35)	SCHNEIDWERKZEUG, KOMPLETT (008a.0, 1÷35 + 009a.0, 1÷35)
51	25510024/0	2	PERNO	PIN	PIVOT	BOLZEN
52	25670008/0	4	RONDELLA	WASHER	RONDELLE	SCHEIBE
53	12156602/0	2	DADO	NUT	ECROU	MUTTER
54	25840003/0	2	TIRANTE	TIE ROD	TIRANT	SPANNSTANGE
55	12295200/0	2	DADO	NUT	ECROU	MUTTER
56	12156602/0	2	DADO	NUT	ECROU	MUTTER
57	12521360/0	2	RONDELLA	WASHER	RONDELLE	SCHEIBE
58	24487997/0	2	COPPIGLIA	COTTER PIN	GOUPILLE	SPLIT
59	25510024/0	1	PERNO	PIN	PIVOT	BOLZEN
60	25670008/0	2	RONDELLA	WASHER	RONDELLE	SCHEIBE
61	12156602/0	1	DADO	NUT	ECROU	MUTTER
62	25840012/0	1	TIRANTE	TIE ROD	TIRANT	SPANNSTANGE
63	12295200/0	1	DADO	NUT	ECROU	MUTTER
64	12156602/0	1	DADO	NUT	ECROU	MUTTER
65	12521360/0	1	RONDELLA	WASHER	RONDELLE	SCHEIBE
66	24487997/0	1	COPPIGLIA	COTTER PIN	GOUPILLE	SPLIT
67	82000474/0	2	ASTA BILANCIERE	EQUALIZER ROD	TIGE BALANCIER	KIPPEBEL
68	12523060/0	4	RONDELLA	WASHER	RONDELLE	SCHEIBE
69	12156602/0	4	DADO	NUT	ECROU	MUTTER
70	25670008/0	8	RONDELLA	WASHER	RONDELLE	SCHEIBE
81	25600056/0	1	PROTEZIONE USCITA	EXIT PROTECTION	PROTECTION EN SORTIE	AUSWURFSCHUTZ
82	25510073/0	1	PERNO	PIN	PIVOT	BOLZEN
83	25430242/0	1	MOLLA	SPRING	RESSORT	FEDER
84	12141418/0	1	COPPIGLIA	COTTER PIN	GOUPILLE	SPLIT

J	JP	JT	JR	JTP	JB
92	92 hydro	98s	98s hydro		

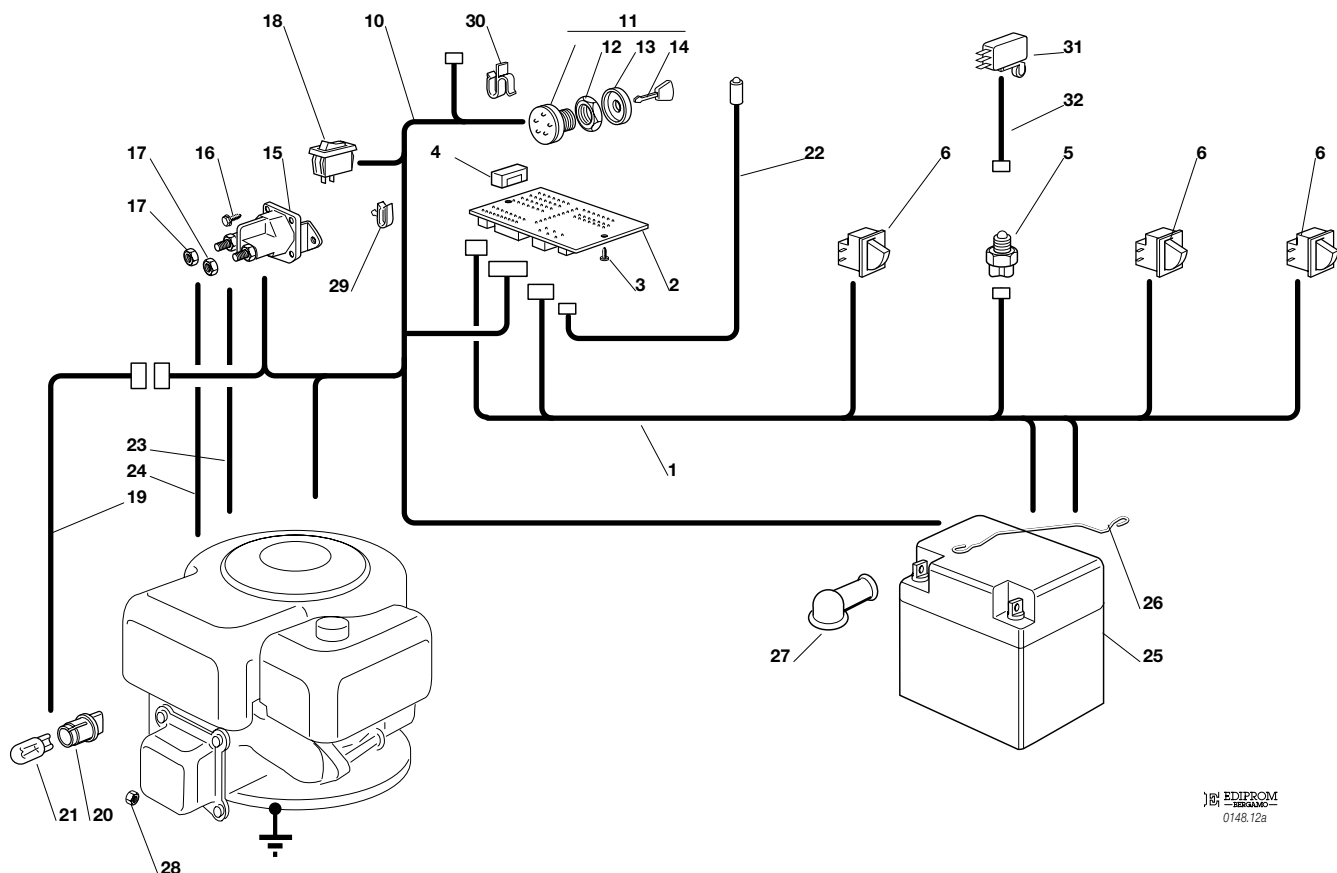


PARTI ELETTRICHE
ELECTRICAL PARTS
PARTIES ELECTRIQUES
ELETRISCHETEILE

2002

012a.0

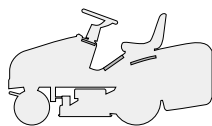
1 / 1



EDIPROM
0148.12a

N.	CODE	Q.TY	DESCRIZIONE	DESCRIPTION	DESCRIPTION	BESCHREIBUNG
1	82040081/0	1	CABLAGGIO POSTERIORE	CABLES ASS.Y	ENS. CABLAGES	KABELSATZ
2	25722417/0	1	SCHEDA ELETTRONICA	ELECTRONIC CARD	CARTE ELECTRONIQUE	ELEKTRONISCHE KARTE
3	12727810/0	2	VITE	SCREW	VIS	SCHRAUBE
4	33340033/0	1	FUSIBILE	FUSE	FUSIBLE	SICHERUNG
5	19410608/1	1	INTERRUTT. CAMBIO (mecc.)	GEARBOX SWITCH (mech.)	INT. BOÎTE DE VITESSE (mec.)	ANTRIEB SCHALTER (mech.)
6	19410606/0	3	MICRO INTERRUTTORE	MICROSWITCH	MICROINTERRUPTEUR	MIKROSCHALTER
10	82040082/1	1	CABLAGGIO ANTERIORE	CABLES ASS.Y	ENS. CABLAGES	KABELSATZ
11	18450065/1	1	INTERRUTTORE AVVIAM.	STARTING SWITCH	INTERRUPTEUR DEMARR.	SCHALTER
12	18400861/0	1	GHIERA	RINGNUT	EMBOUT	NUTMUTTER
13	18565351/0	1	PROTEZIONE GHIERA	RINGNUT PROTECTION	PROTECTION EMBOUT	NUTMUTTER SCHUTZ
14	18210016/0	1	CHIAVE AVVIAMENTO	STARTING KEY	CLEF A DEMARRAGE	SCHLÜSSEL FÜR START
15	18736111/0	1	RELÉ AVVIAMENTO	STARTER RELAY	RELAIS D'ALLUMAGE	ANLASSRELAIS
16	12791213/0	2	VITE	SCREW	VIS	SCHRAUBE
17	12292102/0	2	DADO	NUT	ECROU	MUTTER
18	18450060/1	1	INTERRUTTORE	FARILAMP SWITCH	INTERRUPTEUR PHARES	LICHTEN SCHALTER
19	82040070/0	1	CAVO FARI	CABLE	CABLES	KABEL
20	33500030/0	2	PORTALAMPADE	LAMP HOLDER	DOUILLE DE LAMPE	SCHENWERFERLAMPE
21	18459100/0	2	LAMPADA	FARILAMP FOR LIGHTS	LAMPE POUR PHARES	LAMPENFASSUN
22	25065014/1	1	CAVO LED SEGNALEZIONE	CABLE	CABLES	KABEL
23	25065012/0	1	CAVO RICARICA	CABLE	CABLES	KABEL
24	25065017/0	1	CABLAGGIO SOLEN. AVV.	CABLES ASS.Y	ENS. CABLAGES	KABELSATZ
25	18120002/1	1	BATTERIA	BATTERY	BATTERIE	BATTERIE
26	25430230/0	1	MOLLA	SPRING	RESSORT	FEDER
27	18564861/1	1	CAPPUCCIO	PROTECTION	CAPUCHON	STECKER
28	12361005/0	1	DADO	NUT	ECROU	MUTTER
29	33320506/0	4	FERMACAVO	FAIRLED	FIXATION CABLE	KABELBEFESTIGUNG
30	33320504/0	1	FERMACAVO	FAIRLED	FIXATION CABLE	KABELBEFESTIGUNG
31	19410609/0	1	INTERRUTT. FOLLE (hydro)	MICROSWITCH (hydro)	MICROINTERRUPTEUR (hydro)	MIKROSCHALTER (hydro)
32	25065025/0	1	CAVO MICRO FOLLE (hydro)	CABLE (hydro)	CABLES (hydro)	KABEL (hydro)

J	JP	JT	JR	JTP	JB
92	92 hydro	98s	98s hydro		

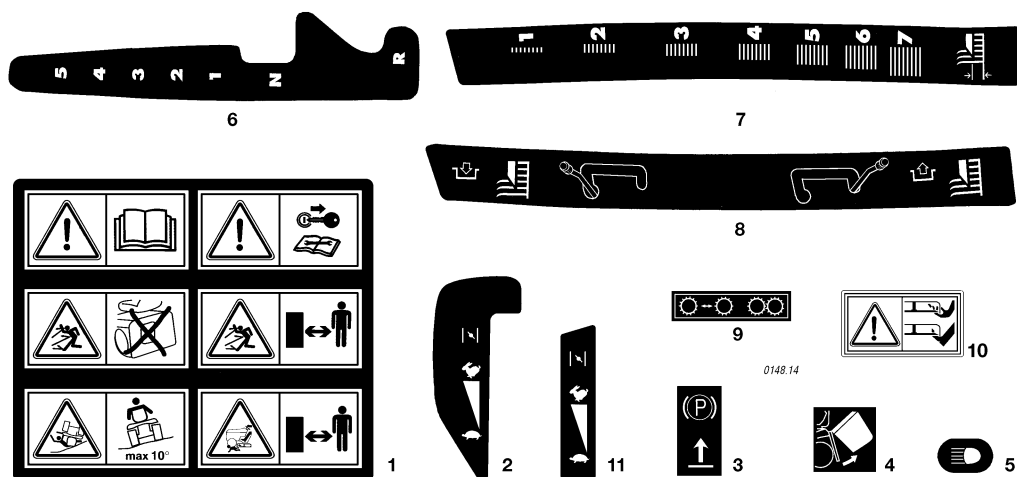


ETICHETTE
LABELS
ETIQUETTES
KLEBZETTEL

2002

014.0

1 / 1



N.	CODE	Q.TY	DESCRIZIONE	DESCRIPTION	DESCRIPTION	BESCHREIBUNG
1	14357190/0	1	ETICHETTA (<i>mod. 92</i>)	LABEL (<i>mod. 92</i>)	ETIQUETTE (<i>mod. 92</i>)	KLEBZETTEL (<i>mod. 92</i>)
1	14358526/0	1	ETICHETTA (<i>mod. 98s</i>)	LABEL (<i>mod. 98s</i>)	ETIQUETTE (<i>mod. 98s</i>)	KLEBZETTEL (<i>mod. 98s</i>)
2	14357209/1	1	ETICHETTA (<i>J - JP - JTP</i>)	LABEL (<i>J - JP - JTP</i>)	ETIQUETTE (<i>J - JP - JTP</i>)	KLEBZETTEL (<i>J - JP - JTP</i>)
3	14356185/1	1	ETICHETTA	LABEL	ETIQUETTE	KLEBZETTEL
4	14357189/0	1	ETICHETTA (<i>mod. 92</i>)	LABEL (<i>mod. 92</i>)	ETIQUETTE (<i>mod. 92</i>)	KLEBZETTEL (<i>mod. 92</i>)
5	14357424/1	1	ETICHETTA	LABEL	ETIQUETTE	KLEBZETTEL
6	14357210/1	1	ETICHETTA (<i>mecc.</i>)	LABEL (<i>mech.</i>)	ETIQUETTE (<i>mec.</i>)	KLEBZETTEL (<i>mech.</i>)
7	14357211/1	1	ETICHETTA	LABEL	ETIQUETTE	KLEBZETTEL
8	14357360/1	1	ETICHETTA	LABEL	ETIQUETTE	KLEBZETTEL
9	14357423/1	1	ETICHETTA (<i>92 hydro</i>)	LABEL (<i>92 hydro</i>)	ETIQUETTE (<i>92 hydro</i>)	KLEBZETTEL (<i>92 hydro</i>)
10	14356699/0	2	ETICHETTA (<i>mod. 92</i>)	LABEL (<i>mod. 92</i>)	ETIQUETTE (<i>mod. 92</i>)	KLEBZETTEL (<i>mod. 92</i>)
10	14356699/0	1	ETICHETTA (<i>mod. 98s</i>)	LABEL (<i>mod. 98s</i>)	ETIQUETTE (<i>mod. 98s</i>)	KLEBZETTEL (<i>mod. 98s</i>)
11	14357357/1	1	ETICHETTA (<i>JT - JR - JB</i>)	LABEL (<i>JT - JR - JB</i>)	ETIQUETTE (<i>JT - JR - JB</i>)	KLEBZETTEL (<i>JT - JR - JB</i>)