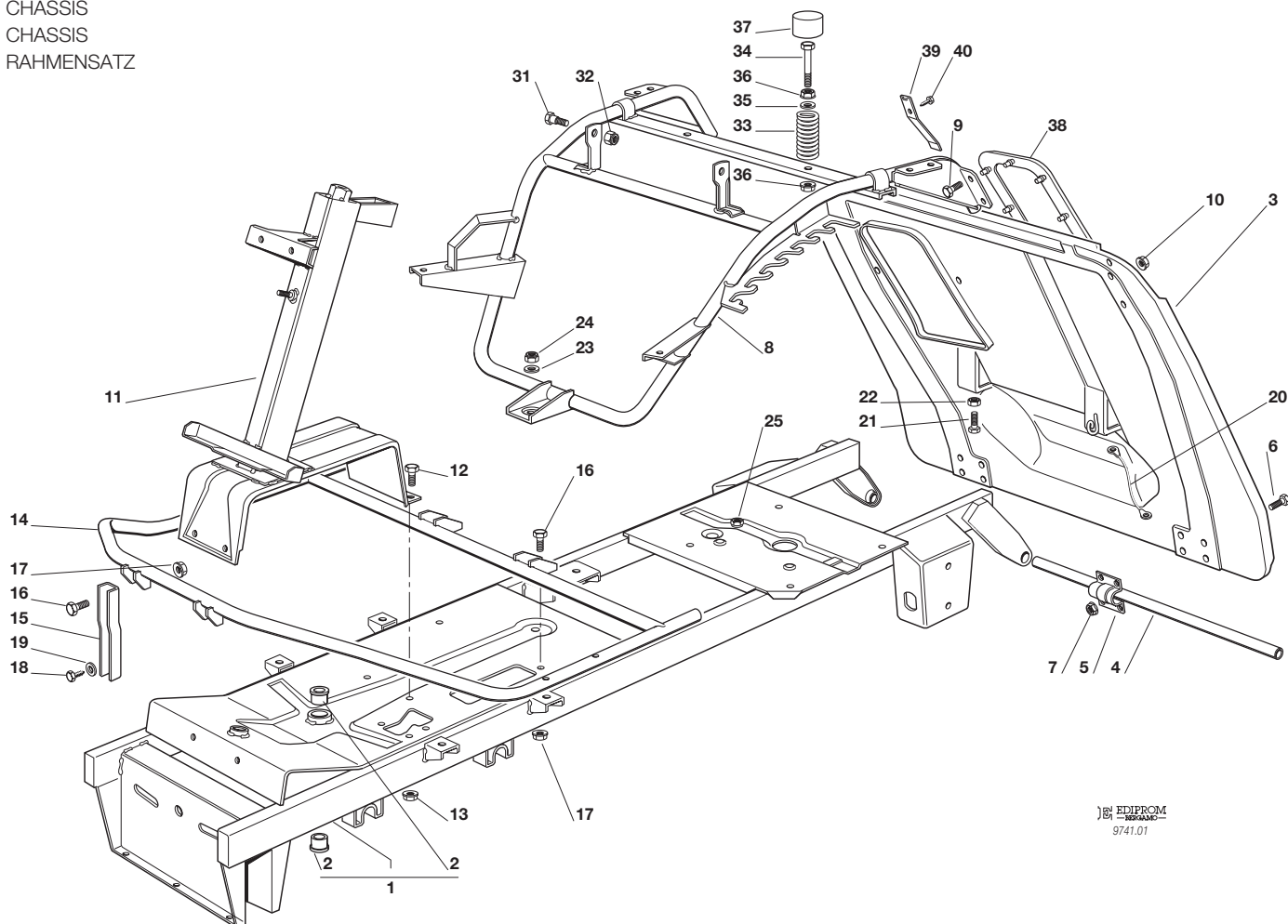


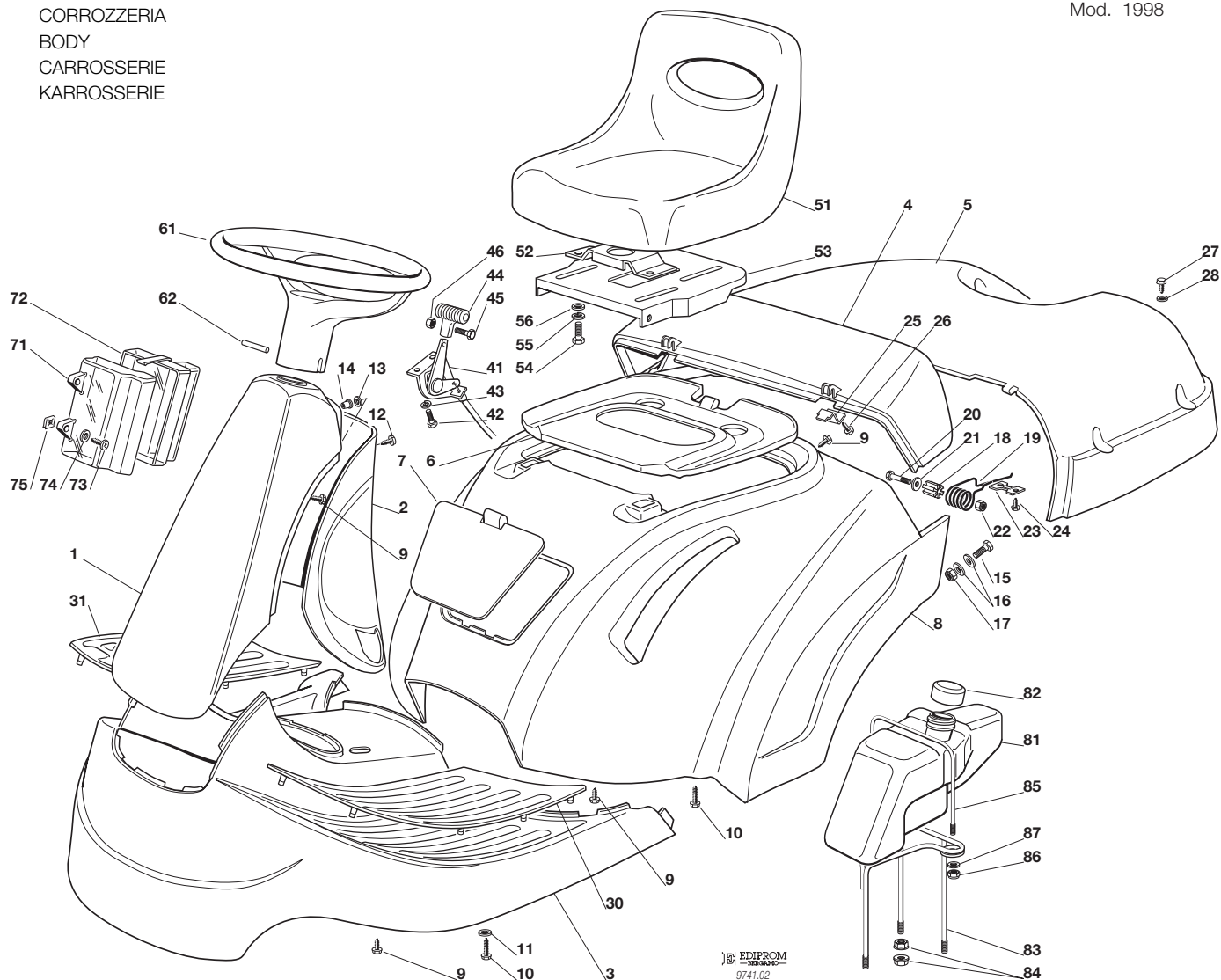
TELAIO
 CHASSIS
 CHASSIS
 RAHMENSATZ



Pos. Nr.	Codice Kodex Code	Descrizione	Description	Description	Beschreibung	Q.tà Q.ty Q.té Menge
1	84801101/0	TELAIO	CHASSIS	CHASSIS	RAHMENSATZ	1
2	25034002/1	BOCCOLA	BUSH	DOUILLE	BÜCHSE	2
3	84545051/1	PIASTRA	PLATE	PLAQUE	PLATTE	1
4	27037000/0	PERNO	PIN	PIVOT	BOLZEN	1
5	25547012/1	PIASTRA	PLATE	PLAQUE	PLATTE	2
6	12791200/0	VITE	SCREW	VIS	SCHRAUBE	8
7	12792102/0	DADO	NUT	ECROU	MUTTER	8
8	84801109/0	TELAIO SEDILE	CHASSIS	CHASSIS	RAHMENSATZ	1
9	12702611/0	VITE	SCREW	VIS	SCHRAUBE	4
10	12293201/0	DADO	NUT	ECROU	MUTTER	4
11	84783001/0	SUPPORTO PIANTONE	SUPPORT	SUPPORT	HALTER	1
12	12792611/0	VITE	SCREW	VIS	SCHRAUBE	4
13	12293201/0	DADO	NUT	ECROU	MUTTER	4
14	84801107/1	SUPPORTO PEDANE	FOTTBOARD SUPPORT	SUPPORT MARCHEPIED	FUSSBRETTHALTER	1
15	27787025/0	SUPPORT	SUPPORT	SUPPORT	HALTER	2
16	12792611/0	VITE	SCREW	VIS	SCHRAUBE	4
17	12293201/0	DADO	NUT	ECROU	MUTTER	4
18	12734995/0	VITE	SCREW	VIS	SCHRAUBE	2
19	12521331/0	RONDELLA	WASHER	RONDELLE	SCHEIBE	2
20	84040300/0	CAVO AGGANCI	CORD	CORDE	SEIL	1
21	12793701/0	VITE	SCREW	VIS	SCHRAUBE	2
22	12293200/0	DADO	NUT	ECROU	MUTTER	2
23	12523060/0	RONDELLA	WASHER	RONDELLE	SCHEIBE	1
24	12155000/0	DADO	NUT	ECROU	MUTTER	1
25	12500090/0	DADO	NUT	ECROU	MUTTER	1

Pos. Nr.	Codice Kodex Code	Descrizione	Description	Description	Beschreibung	Q.tà Q.ty Q.té Menge
31	22524970/1	PERNO	PIN	PIVOT	BOLZEN	2
32	12155010/0	DADO	NUT	ECROU	MUTTER	2
33	25430205/0	MOLLA	SPRING	RESSORT	FEDER	2
34	25943001/0	VITE	SCREW	VIS	SCHRAUBE	2
35	12521350/0	RONDELLA	WASHER	RONDELLE	SCHEIBE	2
36	12293201/0	DADO	NUT	ECROU	MUTTER	4
37	25122000/0	CUFFIA	HOOD	PROTECTEUR	SCHUTZKASTEN	2
38	27285000/0	GUARNIZIONE CONVOGLIAT.	JOINTING	JOINT	PACKUNG	1
39	27430554/0	MOLLA	SPRING	RESSORT	FEDER	1
40	12728440/0	VITE	SCREW	VIS	SCHRAUBE	1

CORROZZERIA
 BODY
 CARROSSERIE
 KARROSSERIE



EDIPROM
 9741.02

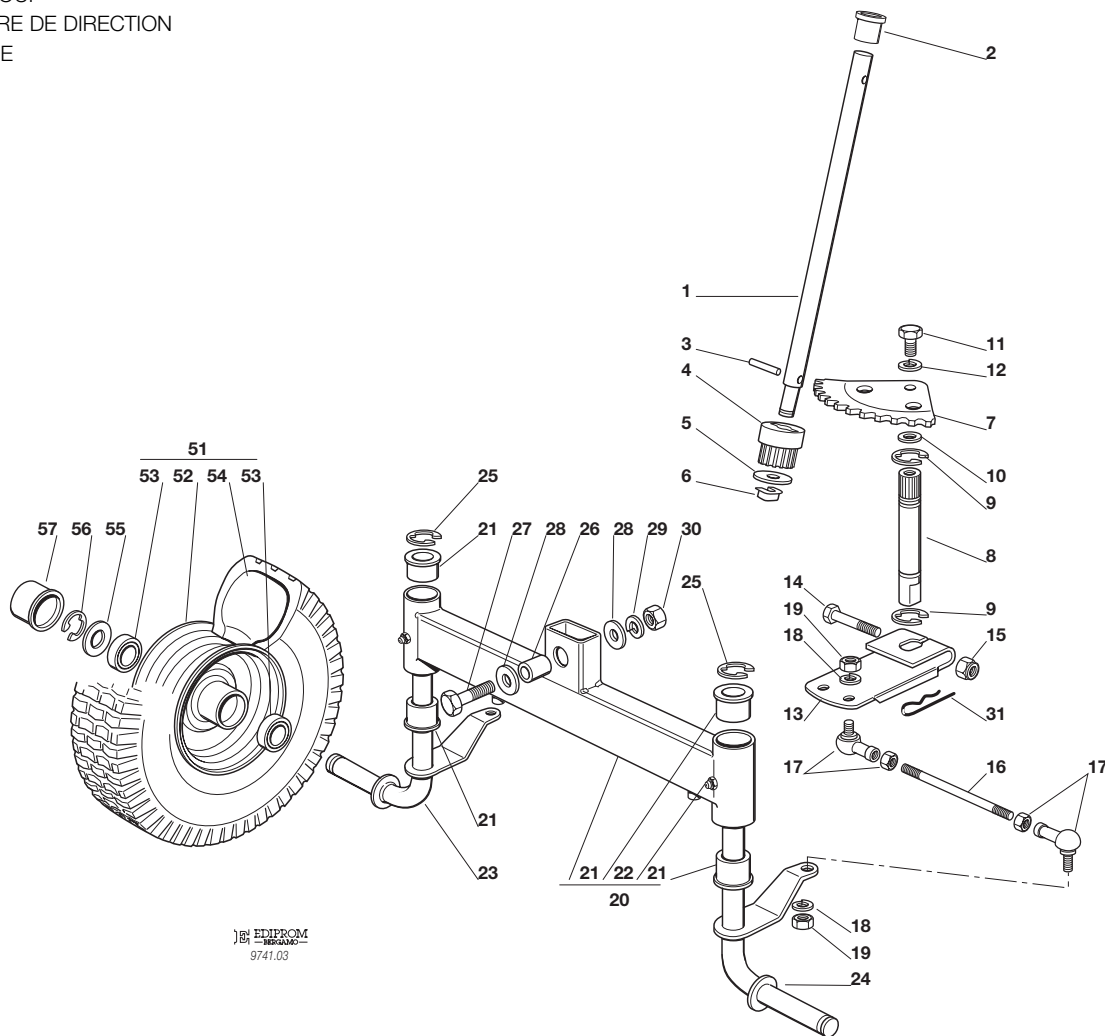
Pos. Nr.	Codice Kodex Code	Descrizione	Description	Description	Beschreibung	Q.tà Q.ty Q.té Menge
1	84598050/0 84598056/0 84598057/0 84598058/0	PROTEZIONE ANTERIORE ROSSO VERDE GIALLO BLU	FRONT COVER RED GREEN YELLOW BLUE	COUVERCLE AVANT ROUGE VERT JAUNE BLEU	VORDERDECKEL ROT GRÜN GELB BLAU	1
2	27600055/0 27600078/0 27600079/0 27600080/0	PROTEZIONE POSTERIORE ROSSO VERDE GIALLO BLU	REAR COVER RED GREEN YELLOW BLUE	COUVERCLE ARRIER ROUGE VERT JAUNE BLEU	HINTERDECKEL ROT GRÜN GELB BLAU	1
3	27110300/1 27110309/1 27110310/1 27110311/1	COPERTURA PEDANA ROSSO VERDE GIALLO BLU	FOOTBOARD COVER RED GREEN YELLOW BLUE	COUVRE MARCHEPIED ROUGE VERT JAUNE BLEU	FUSSBRETTDECKEL ROT GRÜN GELB BLAU	1
4	27110302/0 27110317/0 27110318/0 27110319/0	COPERTURA SACCO FISSA ROSSO VERDE GIALLO BLU	GRASS-CATCHER COVER, FIXED RED GREEN YELLOW BLUE	COUVRE-BAC FIXE ROUGE VERT JAUNE BLEU	FESTER SACKKAPPE ROT GRÜN GELB BLAU	1
5	27110303/0 27110321/0 27110322/0 27110323/0	COPERTURA SACCO MOBILE ROSSO VERDE GIALLO BLU	GRASS-CATCHER COVER, MOBILE RED GREEN YELLOW BLUE	COUVRE-BAC MOBILE ROUGE VERT JAUNE BLEU	BEWEGLICHER SACKKAPPE ROT GRÜN GELB BLAU	1

Pos. Nr.	Codice Kodex Code	Descrizione	Description	Description	Beschreibung	Q.tà Q.ty Q.té Menge
6	27110306/0	COPERTURA MOTORE	ENGINE COVER	COUVRE MOTEUR	MOTORKAPPE	1
7	☛	COPERCHIO ANTERIORE	FRONT COVER	COUVERCLE AVANT	DECKEL	1
	27109501/0	ROSSO	RED	ROUGE	ROT	
	27109505/0	VERDE	GREEN	VERT	GRÜN	
	27109506/0	GIALLO	YELLOW	JAUNE	GELB	
	27109507/0	BLU	BLUE	BLEU	BLAU	
8	☛	COPERTURA RUOTE	WHEELS COVER	COUVRE ROUES	RADENKAPPE	1
	84110100/0	ROSSO	RED	ROUGE	ROT	
	84110102/0	VERDE	GREEN	VERT	GRÜN	
	84110103/0	GIALLO	YELLOW	JAUNE	GELB	
	84110104/0	BLU	BLUE	BLEU	BLAU	
9	12735402/0	VITE	SCREW	VIS	SCHRAUBE	10
10	12735410/0	VITE	SCREW	VIS	SCHRAUBE	8
11	12523040/0	RONDELLA	WASHER	RONDELLE	SCHEIBE	2
12	12735135/0	VITE	SCREW	VIS	SCHRAUBE	1
13	12437500/0	PIASTRINA	PLATE	PLAQUE	PLATTE	1
14	12500041/0	MADREVITE	NUT SCREW	ECROU	MUTTER	1
15	12791200/0	VITE	SCREW	VIS	SCHRAUBE	2
16	12523040/0	RONDELLA	WASHER	RONDELLE	SCHEIBE	2
17	12154510/0	DADO	NUT	ECROU	MUTTER	2
18	27047003/0	BUSSOLA	BUSH	DOUILLE	BUCHSE	2
19	27430551/1	MOLLA	SPRING	RESSORT	FEDER	2
20	12691200/0	VITE	SCREW	VIS	SCHRAUBE	2
21	12523070/0	RONDELLA	WASHER	RONDELLE	SCHEIBE	2
22	12155000/0	DADO	NUT	ECROU	MUTTER	2
23	27546001/0	PIASTRINA	PLATE	PLAQUE	PLATTE	2
24	12735402/0	VITE	SCREW	VIS	SCHRAUBE	4
25	27546003/0	PIASTRINA	PLATE	PLAQUE	PLATTE	2
26	12735402/0	VITE	SCREW	VIS	SCHRAUBE	2
27	12729601/0	VITE	SCREW	VIS	SCHRAUBE	4
28	12521331/0	RONDELLA	WASHER	RONDELLE	SCHEIBE	4
29	27110304/0	COPRIPEDANA DESTRA	RIGHT FOOTBOARD COVER	COUVRE MARCHEPIED DRO.	RECHTE FUSSBRETTDECKEL	1
30	27110305/0	COPRIPEDANA SINISTRA	LEFT FOOTBOARD COVER	COUVRE MARCHEPIED GAU.	LINKE FUSSBRETTDECKEL	1
41	84000250/0	ACCELERATORE	ACCELERATOR	ACCELERATEUR	GAS ZUG	1
42	12788512/0	VITE	SCREW	VIS	SCHRAUBE	2
43	12581200/0	GROWER	GROWER	GROWER	GROWER	2
44	25394501/0	MANOPOLINA	HANDLE	POIGNE	GRIFF	1
45	12726388/0	VITE	SCREW	VIS	SCHRAUBE	1
46	12290800/0	DADO	NUT	ECROU	MUTTER	1
51	25722453/1	SEDILE	SEAT	SIEGE	SITZ	1
52	25785114/0	SUPPORTO	SUPPORT	SUPPORT	HALTER	1
53	25547033/0	PIASTRA	PLATE	PLAQUE	PLATTE	1
54	12793101/0	VITE	SCREW	VIS	SCHRAUBE	4
55	12583500/0	GROWER	GROWER	GROWER	GROWER	4
56	12523060/0	RONDELLA	WASHER	RONDELLE	SCHEIBE	4
61	25961201/0	VOLANTE	STEERING WHEEL	VOLANT	LENKRAD	1
62	12620299/0	SPINA	PIN	GOUPILLE	STIFT	1
71	25600020/0	PROTEZIONE SUPERIORE	UPPER GUARD	PROTECTION SUPERIEUR	OBERSCHUTZ	1
72	25600021/0	PROTEZIONE INFERIORE	LOWER GUARD	PROTECTION INFERIEUR	UNTERSCHUTZ	1
73	12728460/0	VITE	SCREW	VIS	SCHRAUBE	2
74	12521320/0	ROSETTA	WASHER	RONDELLE	SCHEIBE	2
75	12437502/0	PIASTRINA	PLATE	PLAQUE	PLÄTTE	2
81	27733000/1	SERBATOIO	TANK	RESERVOIR	TANK	1
82	25795000/0	TAPPO	CAP	BOUCHON	TANKVERSCHLUSS	1
83	84783005/1	SUPPORTO	SUPPORT	SUPPORT	HALTER	1
85	12293201/0	DADO	NUT	ECROU	MUTTER	6
86	27034056/0	ASTA	ROD	TIGE	STAB	1
87	12154510/0	DADO	NUT	ECROU	MUTTER	2
88	12523040/0	ROSETTA	WASHER	RONDELLE	SCHEIBE	2

GRUPPO STERZO
 STEERING GROUP
 GROUPE BARRE DE DIRECTION
 LENKGETRIEBE

Mod. 1998

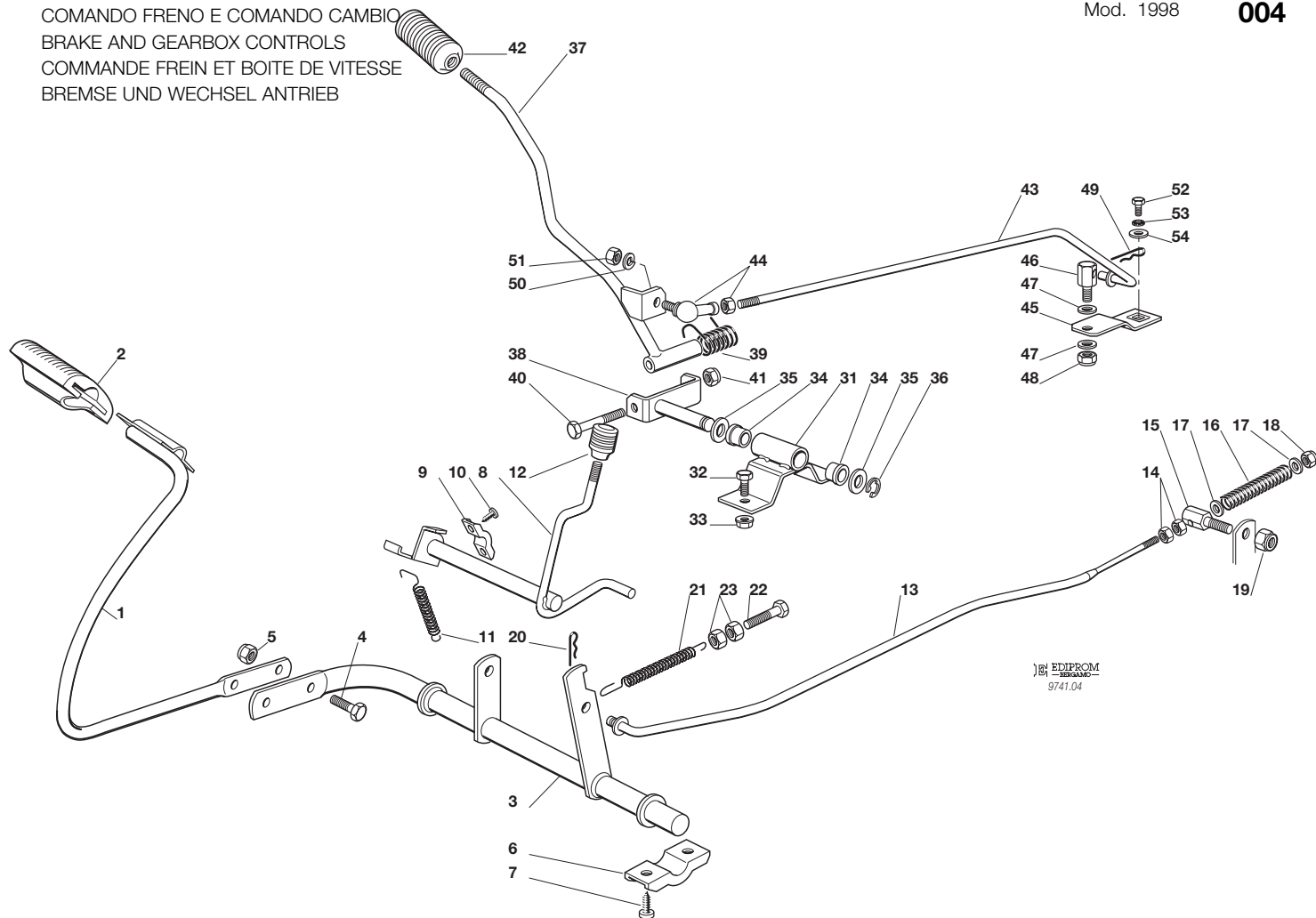
003



Pos. Nr.	Codice Kodex Code	Descrizione	Description	Description	Beschreibung	Q.tà Q.ty Q.té Menge
1	27520050/0	PIANTONE	STEERING COLUMN	TUBE DE DIRECTION	LENKUNGSÄEULE	1
2	25038003/0	BOCCOLA	BUSH	DOUILLE	BÜCHSE	1
3	12622650/0	SPINA	PIN	GOUPILLE	STIFT	1
4	27570050/0	PIGNONE	PINION	PIGNON	RITZEL	1
5	12521370/0	RONDELLA	WASHER	RONDELLE	SCHEIBE	1
6	12436030/0	PIASTRINA	PLATE	PLAQUETTE	PLATTECHEN	1
7	84735551/0	SETTORE	STEERING SHAFT	ARBRE DIRECTION	LENKUNGSWELLE	1
8	27023001/0	ALBERO STERZO	SHAFT	ARBRE	WELLE	1
9	12001000/0	ANELLO ELASTICO	SNAP RING	ANNEAU RESSORT	SPRENGRING	2
10	12520031/0	RONDELLA	WASHER	RONDELLE	SCHEIBE	1
11	12793102/0	VITE	SCREW	VIS	SCHRAUBE	1
12	12583501/0	GROWER	GROWER	GROWER	GROWER	1
13	27315053/0	LEVA	LEVER	LEVIER	HEBEL	1
14	12692420/0	VITE	SCREW	VIS	SCHRAUBE	1
15	12156602/0	DADO	NUT	ECROU	MUTTER	1
16	27840050/0	TIRANTE COLLEG. FUSELLI	TIE ROD	TIRANT	SPANNSTANGE	2
17	22746600/0	SNODO	JOINT	JOINT	GELENK	4
18	12585100/0	GROWER	GROWER	GROWER	GROWER	4
19	12295200/0	DADO	NUT	ECROU	MUTTER	4
20	84034053/0	BILANCIERE COMPLETO DI BOCCOLA ED INGRASSATORE	EQUALIZER WITH BUSH AND LUBRICATOR	BALANCIER AVEC DOUILLE ET GRAISSEUR	KIPPHEBEL MIT BÜCHSE UND FETTBÜCHSE	1
21	25034002/1	BOCCOLA	BUSH	DOUILLE	BÜCHSE	4

Pos. Nr.	Codice Kodex Code	Descrizione	Description	Description	Beschreibung	Q.tà Q.ty Q.té Menge
22	12379511/0	INGRASSATORE	GREASE DISPENSER	GRAISSEUR	FETTBÜCHSE	2
23	84230401/0	FUSELLO DESTRO	RIGHT STUB AXLE	FUSEAU DROITE	RECHTER ACHSSCHENKEL	1
24	84230403/0	FUSELLO SINISTRO	LEFT STUB AXLE	FUSEAU GAUCHE	LINKER ACHSSCHENKEL	1
25	12001000/0	ANELLO ELASTICO	SNAP RING	ANNEAU RESSORT	SPRENGRING	2
26	25160016/0	DISTANZIALE	SPACER	ENTRETOISE	ENTFERNUNGSSTÜCK	1
27	12692695/0	VITE	SCREW	VIS	SCHRAUBE	1
28	12523100/0	RONDELLA	WASHER	RONDELLE	SCHEIBE	1
29	12587100/0	GROWER	GROWER	GROWER	GROWER	1
30	12295300/0	DADO	NUT	ECROU	MUTTER	1
31	24487999/0	COPPIGLIA	COTTER PIN	GOUPILLE	SPLIT	1
51	84680052/0	RUOTA ANTERIORE	FRONT WHEEL	ROUE AVANT	VORDERRAD	2
52	84044000/0	CERCHIO RUOTA	RIMM	BANDAGE ROUE	VORDERRAD FELGER	1
53	25122200/1	CUSCINETTO	BEARING	ROULEMENT	LAGER	2
54	27590050/0	PNEUMATICO	SHOE	PNEU	REIFEN	1
55	25670005/1	RONDELLA	WASHER	RONDELLE	SCHEIBE	2
56	12001000/0	ANELLO ELASTICO	SNAP RING	ANNEAU RESSORT	SPRENGRING	2
57	22110230/0	COPRIMOZZO	HUB COVER	COUVRE MOYEU	NABEDECKEL	2

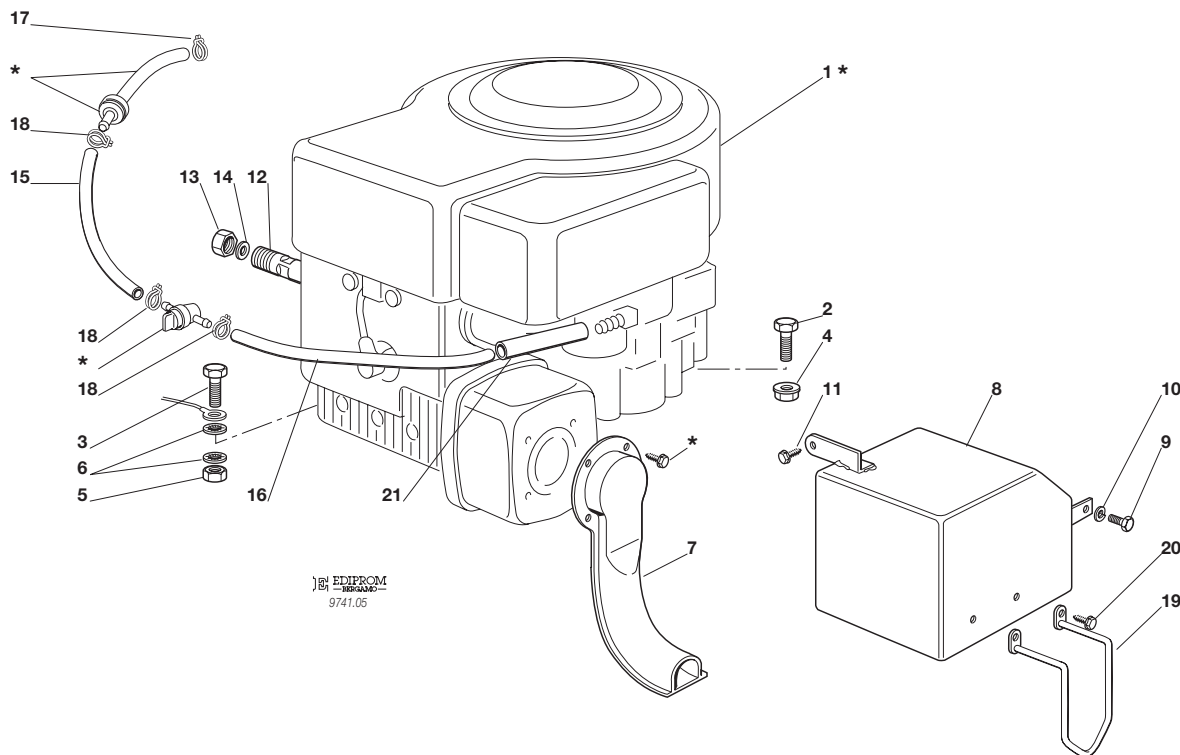
COMANDO FRENO E COMANDO CAMBIO
 BRAKE AND GEARBOX CONTROLS
 COMMANDE FREIN ET BOITE DE VITESSE
 BREMSE UND WECHSEL ANTRIEB



Pos. Nr.	Codice Kodex Code	Descrizione	Description	Description	Beschreibung	Q.tà Q.ty Q.té Menge
1	84503001/0	PEDALE	PEDAL	PEDAL	PEDAL	1
2	25110269/0	COPRISTAFFA	CLAMP COVER	COUVRE ETRIER	BRIDEDECKEL	1
3	84001009/0	ASSE FRENO	AXLE	AXE	ACHSE	1
4	12793301/0	VITE	SCREW	VIS	SCHRAUBE	2
5	12155000/0	DADO	NUT	ECROU	MUTTER	2
6	27546015/0	PIASTRINA	PLATE	PLAQUE	PLATTE	2
7	12731350/0	VITE	SCREW	VIS	SCHRAUBE	4
8	84001011/0	ASSE FRENO STAZIONAM	AXLE	AXE	ACHSE	1
9	25547049/0	PIASTRINA	PLATE	PLAQUE	PLATTE	2
10	12731601/0	VITE	SCREW	VIS	SCHRAUBE	4
11	27430552/0	MOLLA	SPRING	RESSORT	FEDER	1
12	27395050/0	MANOPOLA	KNOB	POIGNEE	KNOPF	1
13	27034055/0	ASTA	ROD	BARRE	STANGE	1
14	12292100/0	DADO	NUT	ECROU	MUTTER	2
15	27510095/0	PERNO	PIN	PIVOT	BOLZEN	1
16	25430212/1	MOLLA	SPRING	RESSORT	FEDER	1
17	12521330/0	ROSETTA	WASHER	RONDELLE	SCHIBE	2
18	12154510/0	DADO	NUT	ECROU	MUTTER	1
19	12155000/0	DADO	NUT	ECROU	MUTTER	1
20	24487997/0	COPPIGLIA	COTTER PIN	GOUPILLE	SPLIT	1
21	25430220/0	MOLLA	SPRING	RESSORT	FEDER	1
22	22943005/0	VITE	SCREW	VIS	SCHRAUBE	1
23	12293200/0	DADO	NUT	ECROU	MUTTER	2
31	84773551/0	STAFFA	CLAMP	ETRIER	BRIDE	1

Pos. Nr.	Codice Kodex Code	Descrizione	Description	Description	Beschreibung	Q.tà Q.ty Q.té Menge
32	12793102/0	VITE	SCREW	VIS	SCHRAUBE	1
33	12293201/0	DADO	NUT	ECROU	MUTTER	1
34	27047002/0	BUSSOLA	BUSHING	DOUILLE	LAGER	2
35	12521370/0	RONDELLA	WASHER	RONDELLE	SCHEIBE	2
36	12608600/0	SEEGER	SEEGER	SEEGER	SEEGER	1
37	84317051/0	LEVA	GEARSHIFT	LEVIER	HEBEL	1
38	84773553/0	STAFFA	CLAMP	ETRIER	BRIDE	1
39	25430226/0	MOLLA	SPRING	RESSORT	FEDER	1
40	12692050/0	VITE	SCREW	VIS	SCHRAUBE	1
41	12155000/0	DADO	NUT	ECROU	MUTTER	1
42	82394503/0	MANOPOLA	KNOB	POIGNEE	WECHSEL	1
43	27034052/0	ASTA	ROD	BARRE	STANGE	1
44	22746601/0	SNODO	JOINT	JOINT	GELENK	2
45	27315077/0	LEVA	GEARSHIFT	LEVIER	HEBEL	1
46	25510040/0	PERNO	PIN	PIVOT	BOLZEN	1
47	25670011/0	RONDELLA	WASHER	RONDELLE	SCHEIBE	2
48	12155000/0	DADO	NUT	ECROU	MUTTER	1
49	24487997/0	COPPIGLIA	COTTER PIN	GOUPILLE	SPLIT	1
50	12583500/0	GROWER	GROWER	GROWER	GROWER	1
51	12293200/0	DADO	NUT	ECROU	MUTTER	1
52	12735520/0	VITE	SCREW	VIS	SCHRAUBE	1
53	12540040/0	RONDELLA	WASHER	RONDELLE	SCHEIBE	1
54	22680009/0	RONDELLA	WASHER	RONDELLE	SCHEIBE	1

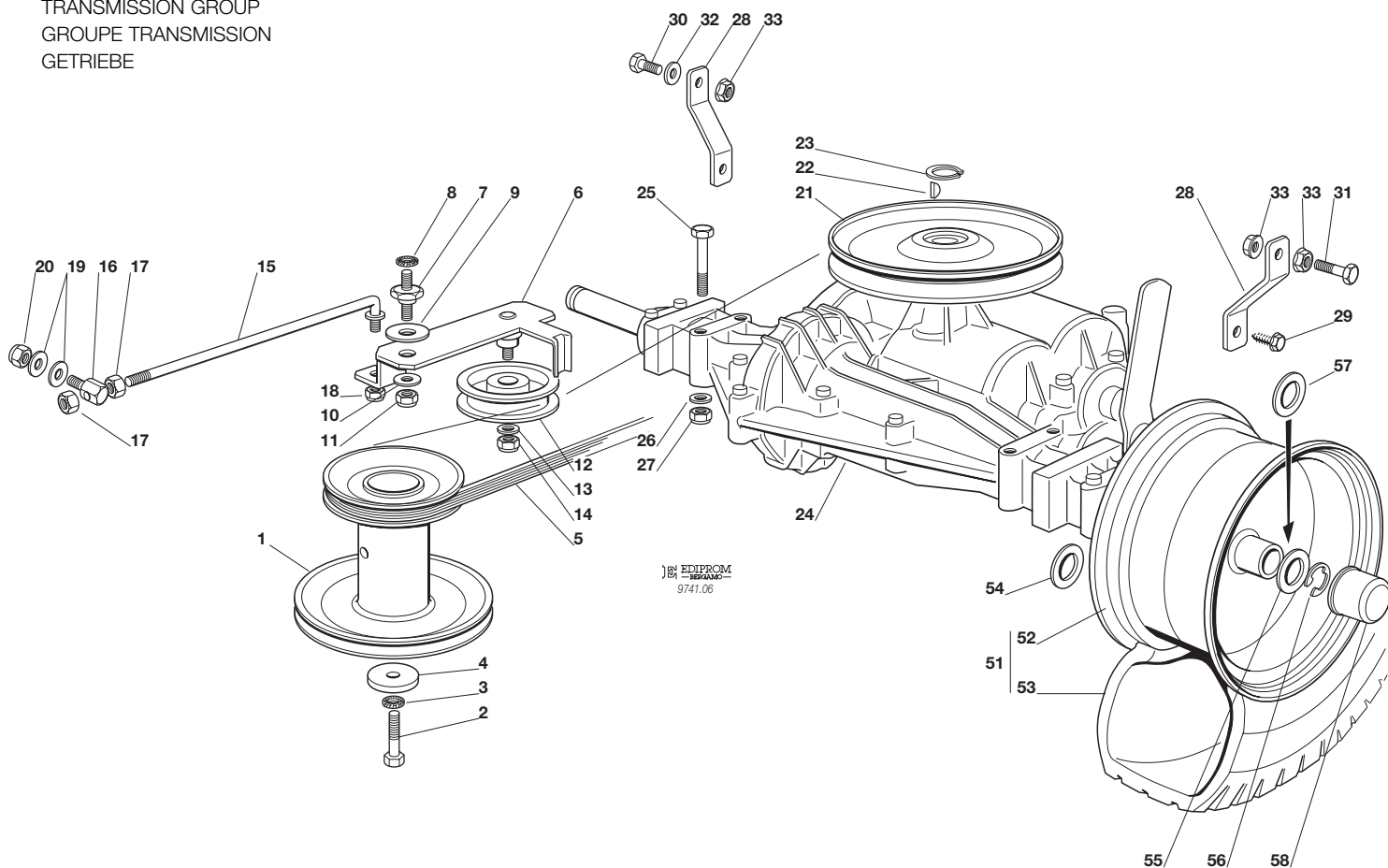
GRUPPO MOTORE 10,5 HP B&S
 ENGINE ASS.Y 10,5 HP B&S
 GROUPE MOTEUR 10,5 HP B&S
 MOTORSATZ 10,5 HP B&S



Pos. Nr.	Codice Kodex Code	Descrizione	Description	Description	Beschreibung	Q.tà Q.ty Q.té Menge
1*	-	MOTORE	ENGINE	MOTEUR	MOTOR	1
2	12793701/0	VITE	SCREW	VIS	SCHRAUBE	3
3	12691100/0	VITE	SCREW	VIS	SCHRAUBE	1
4	12293201/0	DADO	NUT	ECROU	MUTTER	3
5	12293200/0	DADO	NUT	ECROU	MUTTER	1
6	12540260/0	RONDELLA	WASHER	RONDELLE	SCHEIBE	2
7	84640550/0	RACCORDO SCARICO	EXHAUST CONNECTION	CONNEXION ECHAPPEMENT	AUSPUFFANSCHLUSS	1
8	82598001/0	PROTEZIONE SILENZIATORE	MUFFLER PROTECTION	PROTECTION SILENCIEUX	AUSPUFFSCHUTZ	1
9	12735510/0	VITE	SCREW	VIS	SCHRAUBE	1
10	12582100/0	GROWER	GROWER	GROWER	GROWER	1
11	12735104/0	VITE	SCREW	VIS	SCHRAUBE	1
12	27598060/0	PROLUNGA SCARICO OLIO	OIL DISCHARGE EXTENSION	RALLONGE DE DECHAR- MENT HUILE	ÖL ENTLEERUNGSVERLAEN- GERUNG	1
13	18737849/0	TAPPO PER PROLUNGA	OIL CAP	BOUCHON HUILE	OELVERSCHLUSS	1
14	18401001/0	GUARNIZIONE	OIL SEAL	GARNITURE	DICHTUNG	1
15	25869004/0	TUBO FILTRO	TUBE	TUBE	ROHR	1
16	25869011/0	TUBO SERBATOIO	TUBE	TUBE	ROHR	1
17	18375052/0	FASCETTA	FAIR LED	FIXATION DE CABLE	KABELBEFESTIGUNG	1
18	18375051/1	FASCETTA	FAIR LED	FIXATION DE CABLE	KABELBEFESTIGUNG	3
19	27600059/0	PROTEZIONE SCARICO	EXHAUST PROTECTION	PROTECTION ECHAPPEMENT	AUSPUFFSCHUTZ	1
20	12735510/0	VITE	SCREW	VIS	SCHRAUBE	2
21	18565400/0	PROTEZIONE TUBO	TUBE PROTECTION	PROTECTION TUBE	ROHRSCHUTZ	1

PER LA SOSTITUZIONE DELLE PARTI CONTRASSEGNALE CON «*» RIVOLGERSI AL SERVIZIO ASSISTENZA DEL COSTRUTTORE DEL MOTORE.
 TO REPLACE THE PARTS MARKED «*» SEEK ASSISTANCE FROM THE ENGINE MANUFACTURER'S AFTER SALES SERVICE.
 POUR LE REMPLACEMENT DES PIÈCES MARQUÉES AVEC «*» S'ADRESSER AU SERVICE APRÈS VENTES DU CONSTRUCTEUR DU MOTEUR.
 ZUM AUSTAUSCH DER MIT «*» GEKENNZEICHNETEN TEILE, WENDEN SIE SICH AN DEN KUNDENDIENST DES HERSTELLERS DES MOTOR.

GRUPPO TRASMISSIONE
 TRANSMISSION GROUP
 GROUPE TRANSMISSION
 GETRIEBE



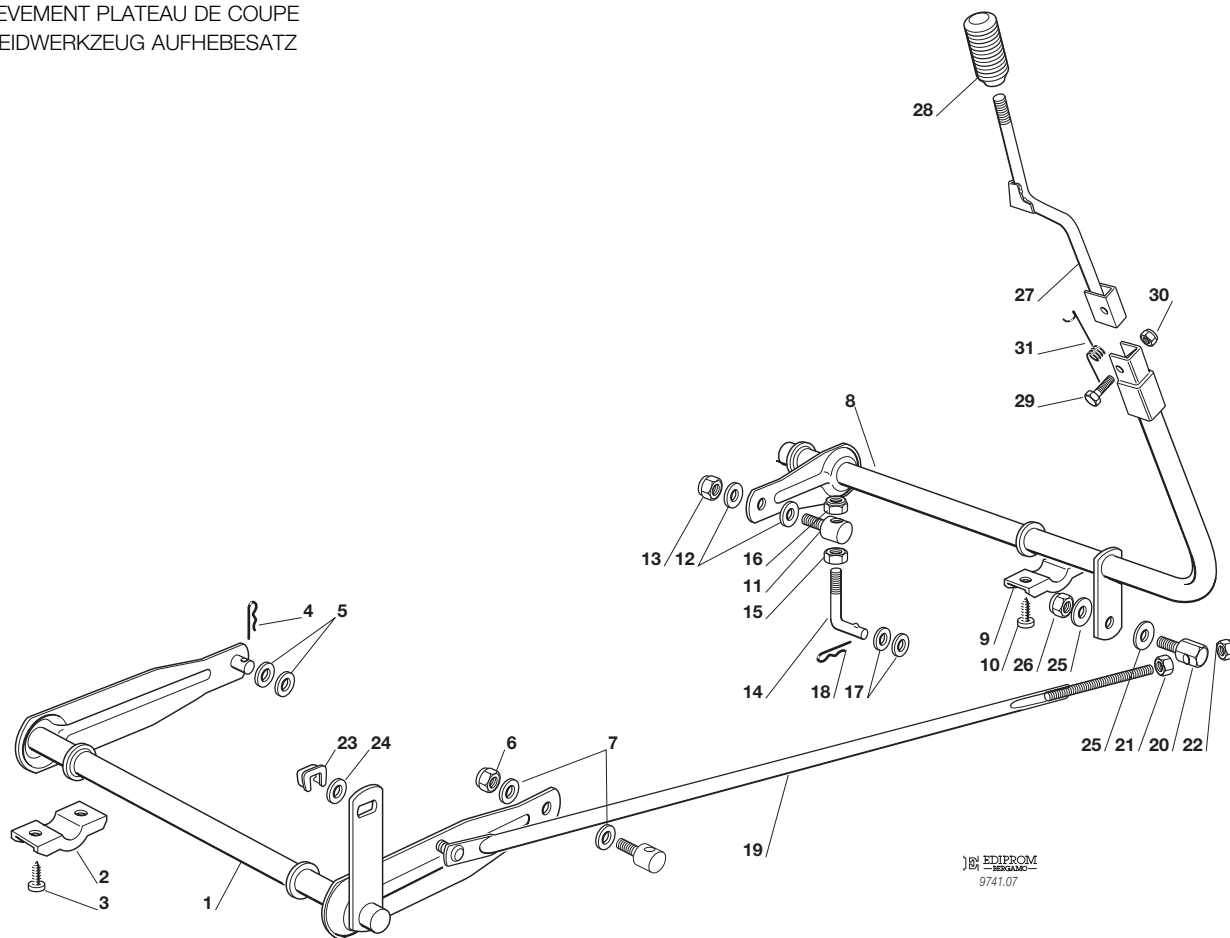
EDIPROM
 9741.06

Pos. Nr.	Codice Kodex Code	Descrizione	Description	Description	Beschreibung	Q.tà Q.ty Q.té Menge
1	27604003/0	PULEGGIA	PULLEY	POULIE	RIEMENSCHIEBE	1
2	12737310/0	VITE	SCREW	VIS	SCHRAUBE	1
3	12543000/0	ROSETTA	WASHER	RONDELLE	SCHEIBE	1
4	22671433/0	RONDELLA	WASHER	RONDELLE	SCHEIBE	1
5	35061400/0	CINGHIA	BELT	COURROIE	RIEMEN	1
6	84317055/0	LEVA	LEVER	LEVIER	HEBEL	1
7	27510096/0	PERNO	PIN	PIVOT	BOLZEN	1
8	12540260/0	RONDELLA	WASHER	RONDELLE	SCHEIBE	1
9	22672151/0	RONDELLA	WASHER	RONDELLE	SCHEIBE	1
10	25670011/0	RONDELLA	WASHER	RONDELLE	SCHEIBE	1
11	12155010/0	DADO	NUT	ECROU	MUTTER	1
12	25601554/0	PULEGGIA	PULLEY	POULIE	RIEMENSCHIEBE	1
13	12523060/0	RONDELLA	WASHER	RONDELLE	SCHEIBE	1
14	12155000/0	DADO	NUT	ECROU	MUTTER	2
15	27034054/0	TIRANTE	TIE ROD	TIRANT	SPANNSTANGE	1
16	25510040/0	PERNO	PIN	PIVOT	BOLZEN	1
17	12293200/0	DADO	NUT	ECROU	MUTTER	2
18	12155000/0	DADO	NUT	ECROU	MUTTER	1
19	25670011/0	RONDELLA	WASHER	RONDELLE	SCHEIBE	2
20	12155000/0	DADO	NUT	ECROU	MUTTER	2
21	82601503/0	PULEGGIA	PULLEY	POULIE	RIEMENSCHIEBE	1
22	12139430/0	LINGUETTA	KEY	CLAVETTE	KEIL	1
23	12608950/0	ANELLO ELASTICO	SNAP RING	ANNEAU RESSORT	SPRENGRING	1
24*	18400915/0	ASSE POSTERIORE	REAR AXLE	AXE ARRIERE	HINTERACHSE	1
25	12691800/0	VITE	SCREW	VIS	SCHRAUBE	4
26	12521350/0	RONDELLA	WASHER	RONDELLE	SCHEIBE	4

Pos. Nr.	Codice Kodex Code	Descrizione	Description	Description	Beschreibung	Q.tà Q.ty Q.té Menge
27	12155000/0	DADO	NUT	ECROU	MUTTER	4
28	27772067/0	STAFFA	CLAMP	ETRIER	BRIDE	2
29	12735150/0	VITE	SCREW	VIS	SCHRAUBE	2
30	12793102/0	VITE	SCREW	VIS	SCHRAUBE	1
31	12691100/0	VITE	SCREW	VIS	SCHRAUBE	1
32	12523060/0	RONDELLA	WASHER	RONDELLE	SCHEIBE	1
33	12293201/0	DADO	NUT	ECROU	MUTTER	3
51	84680050/0	RUOTA POSTERIORE	REAR WHEEL	ROUE ARRIERE	HINTERRAD	1
52	84044001/0	CERCHIO RUOTA	RIMM	BANDAGE ROUE	HINTRERRAD FELGER	1
53	27590051/0	PNEUMATICO	SHOE	PNEU	REIFEN	1
54	12521410/0	RONDELLA	WASHER	RONDELLE	SCHEIBE	2
55	25670005/1	RONDELLA	WASHER	RONDELLE	SCHEIBE	2
56	12001010/0	ANELLO ELASTICO	SNAP RING	ANNEAU RESSORT	SPRENGRING	2
57	12520010/0	ROSETTA	WASHER	RONDELLE	SCHEIBE	0 ÷ 4
58	22110230/0	COPRIMOZZO	HUB COVER	COUVRE MOYEU	NABEDECKEL	2

PER LA SOSTITUZIONE DELLE PARTI CONTRASSEGNAE CON «*» RIVOLGERSI AL SERVIZIO ASSISTENZA DEL COSTRUTTORE (TECUMSEH).
TO REPLACE THE PARTS MARKED «*» SEEK ASSISTANCE FROM MANUFACTURER'S AFTER SALES SERVICE (TECUMSEH).
POUR LE REMPLACEMENT DES PIÈCES MARQUÉES AVEC «*» S'ADRESSER AU SERVICE APRÈS VENTES DU CONSTRUCTEUR (TECUMSEH).
ZUM AUSTAUSCH DER MIT «*» GEKENNZEICHNETEN TEILE, WENDEN SIE SICH AN DEN KUNDENDIENST DES HERSTELLERS (TECUMSEH).

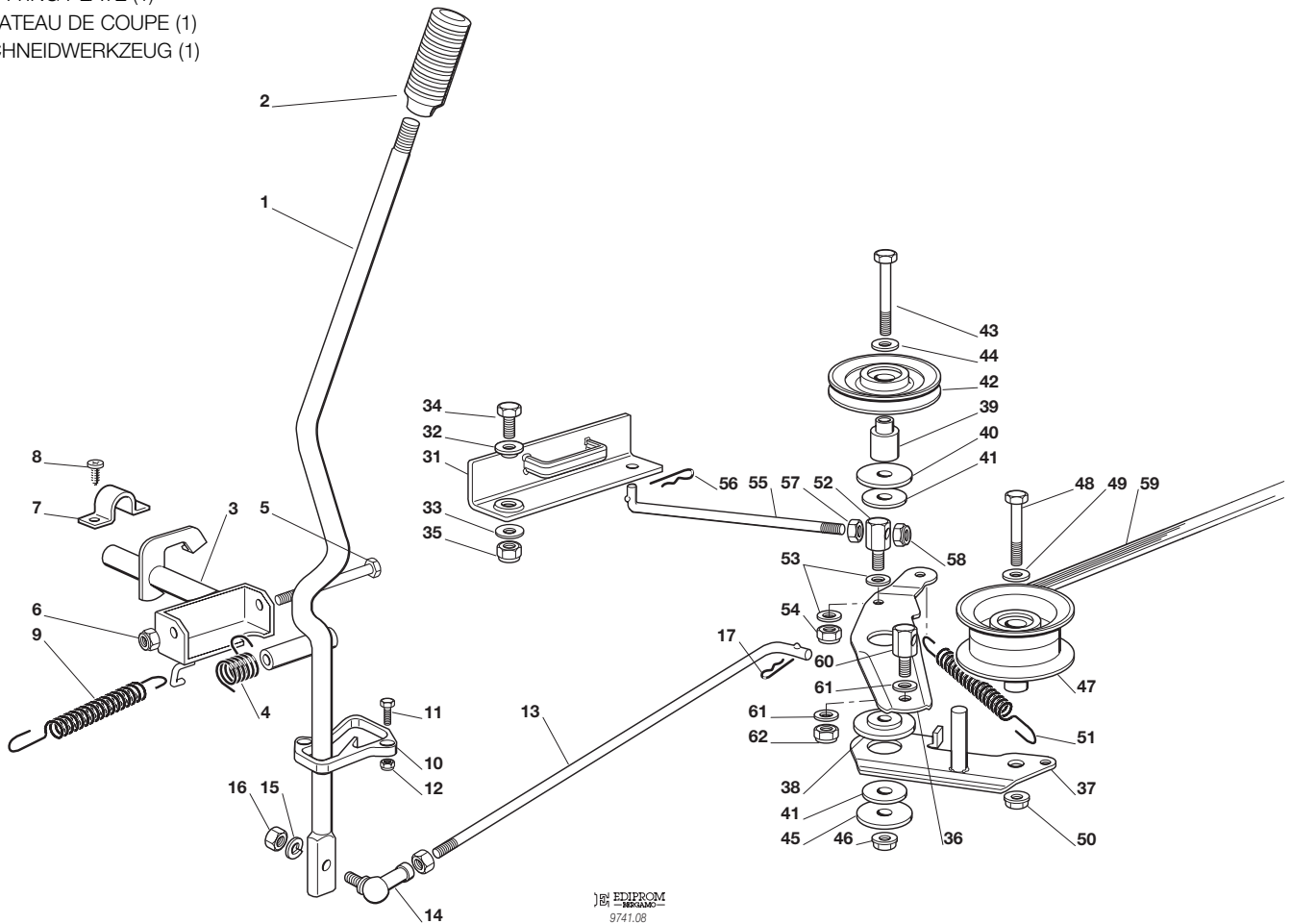
SOLLEVAMENTO PIATTO
 CUTTING PLATE LIFTING
 SOULEVEMENT PLATEAU DE COUPE
 SCHNEIDWERKZEUG AUFHEBESATZ



Pos. Nr.	Codice Kodex Code	Descrizione	Description	Description	Beschreibung	Q.tà Q.ty Q.té Menge
1	84001003/0	ASSE FULCRO PIATTO	AXLE	AXE	ACHSE	1
2	27546015/0	PIASTRINA	PLATE	PLAQUE	PLATTE	2
3	12731350/0	VITE	SCREW	VIS	SCHRAUBE	4
4	24487997/0	COPPIGLIA	COTTER PIN	GOUPILLE	SPLIT	1
5	25670008/0	RONDELLA	WASHER	RONDELLE	SCHEIBE	2
6	12156602/0	DADO	NUT	ECROU	MUTTER	1
7	25670008/0	RONDELLA	WASHER	RONDELLE	SCHEIBE	2
8	84001005/1	ASSE FULCRO PIATTO	AXLE	AXE	ACHSE	1
9	27546015/0	PIASTRINA	PLATE	PLAQUE	PLATTE	2
10	12731350/0	VITE	SCREW	VIS	SCHRAUBE	4
11	25510007/1	PERNO	PIN	PIVOT	BOLZEN	1
12	25670008/0	RONDELLA	WASHER	RONDELLE	SCHEIBE	2
13	12156602/0	DADO	NUT	ECROU	MUTTER	1
14	25840003/0	TIRANTE	TIE ROD	TIRANT	SPANNSTANGE	1
15	12295200/0	DADO	NUT	ECROU	MUTTER	1
16	12156602/0	DADO	NUT	ECROU	MUTTER	1
17	25670008/0	RONDELLA	WASHER	RONDELLE	SCHEIBE	2
18	24487997/0	COPPIGLIA	COTTER PIN	GOUPILLE	SPLIT	1
19	84002051/0	ASTA COLLEGAMENTO	ROD	TIGE	STAB	1
20	25510040/0	PERNO	PIN	PIVOT	BOLZEN	1
21	12293200/0	DADO	NUT	ECROU	MUTTER	1
22	12155000/0	DADO	NUT	ECROU	MUTTER	1
23	12436050/0	PIASTRINA	PLATE	PLAQUE	PLATTE	1
24	25670011/0	RONDELLA	WASHER	RONDELLE	SCHEIBE	1
25	25670011/0	RONDELLA	WASHER	RONDELLE	SCHEIBE	2
26	12155000/0	DADO	NUT	ECROU	MUTTER	1

Pos. Nr.	Codice Kodex Code	Descrizione	Description	Description	Beschreibung	Q.tà Q.ty Q.té Menge
27	84317053/0	LEVA SOLLEVAMENTO	LEVER	LEVIER	HEBEL	1
28	27395052/0	MANOPOLA	KNOB	POIGNEE	GRIFF	1
29	12674700/0	VITE	SCREW	VIS	SCHRAUBE	1
30	12154510/0	DADO	NUT	ECROU	MUTTER	1
31	27430555/0	MOLLA	SPRING	RESSORT	FEDER	1

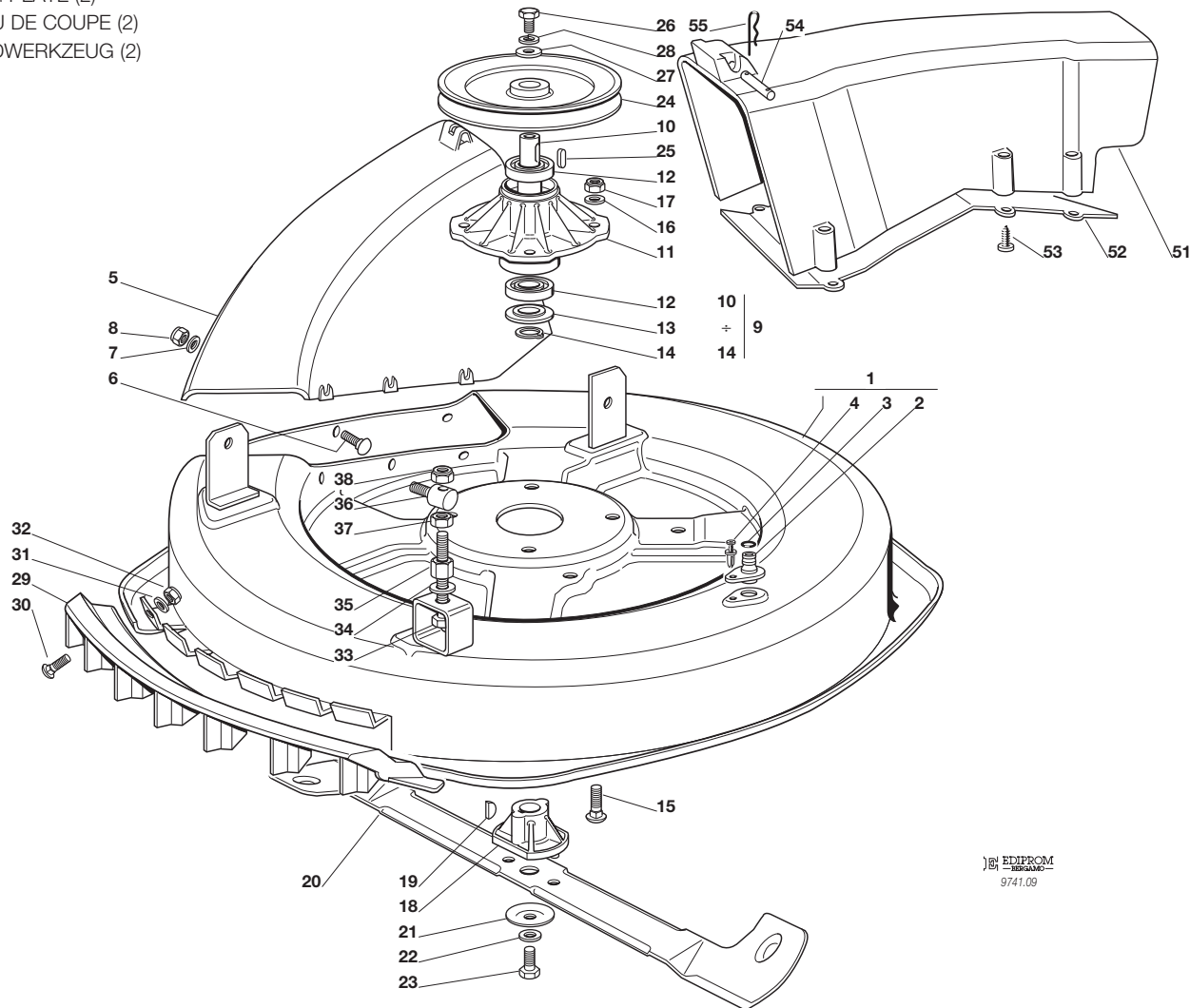
PIATTO DI TAGLIO (1)
 CUTTING PLATE (1)
 PLATEAU DE COUPE (1)
 SCHNEIDWERKZEUG (1)



Pos. Nr.	Codice Kodex Code	Descrizione	Description	Description	Beschreibung	Q.tà Q.ty Q.té Menge
1	84317059/0	LEVA	LEVER	LEVIER	HEBEL	1
2	27395051/0	MANOPOLA	KNOB	POIGNEE	GRIFF	1
3	84001007/0	ASSE INNESTO LAMA	AXLE	AXE	ACHSE	1
4	25430226/0	MOLLA	SPRING	RESSORT	FEDER	1
5	12692050/0	VITE	SCREW	VIS	SCHRAUBE	1
6	12155000/0	DADO	NUT	ECROU	MUTTER	1
7	25547049/0	PIASTRINA	PLATE	PLAQUE	PLATTE	2
8	12731601/0	VITE	SCREW	VIS	SCHRAUBE	4
9	25430220/0	MOLLA	SPRING	RESSORT	FEDER	1
10	27487000/0	PATTINO	SHOE	BLOC DE GLISSEMENT	GLEITBLOCK	1
11	12791200/0	VITE	SCREW	VIS	SCHRAUBE	2
12	12154510/0	DADO	NUT	ECROU	MUTTER	2
13	27034053/0	ASTA	ROD	TIGE	STAB	1
14	22746601/0	SNODO	JOINT	JOINT	GELENK	1
15	12583500/0	GROWER	GROWER	GROWER	GROWER	1
16	12293200/0	DADO	NUT	ECROU	MUTTER	1
17	24487997/0	COPPIGLIA	COTTER PIN	GOUPILLE	SPLIT	1
31	84220501/0	FRENO LAMA	BRAKE	FREIN	BREMSE	1
32	22041980/0	BUSSOLA	BUSH	DOUILLE	BÜCHSE	1
33	22672152/0	RONDELLA	WASHER	RONDELLE	SCHIBE	1
34	12793102/0	VITE	SCREW	VIS	SCHRAUBE	1
35	12155010/0	DADO	NUT	ECROU	MUTTER	1
36	27315059/0	LEVA	LEVER	LEVIER	HEBEL	1
37	84317061/0	LEVA	LEVER	LEVIER	HEBEL	1

Pos. Nr.	Codice Kodex Code	Descrizione	Description	Description	Beschreibung	Q.tà Q.ty Q.té Menge
38	27047000/0	BUSSOLA	BUSH	DOUILLE	BÜCHSE	1
39	27160051/0	DISTANZIALE	SPACER	ENTRETOISE	ENTFERNUNGSSTÜCK	1
40	12523070/0	RONDELLA	WASHER	RONDELLE	SCHEIBE	1
41	22672152/0	RONDELLA	WASHER	RONDELLE	SCHEIBE	2
42	81000772/1	PULEGGIA	PULLEY	POULIE	RIEMENSCHLEIBE	1
43	12692080/0	VITE	SCREW	VIS	SCHRAUBE	1
44	12523060/0	ROSETTA	WASHER	RONDELLE	SCHEIBE	1
45	12523070/0	RONDELLA	WASHER	RONDELLE	SCHEIBE	1
46	12155000/0	DADO	NUT	ECROU	MUTTER	1
47	27604002/0	PULEGGIA	PULLEY	POULIE	RIEMENSCHLEIBE	1
48	12691900/0	VITE	SCREW	VIS	SCHRAUBE	1
49	12523060/0	ROSETTA	WASHER	RONDELLE	SCHEIBE	1
50	12293201/0	DADO	NUT	ECROU	MUTTER	1
51	25430210/0	MOLLA	SPRING	RESSORT	FEDER	1
52	25510040/0	PERNO	PIN	PIVOT	BOLZEN	1
53	25670011/0	RONDELLA	WASHER	RONDELLE	SCHEIBE	2
54	12155000/0	DADO	NUT	ECROU	MUTTER	1
55	27034051/0	ASTA	ROD	TIGE	STAB	1
56	24487997/0	COPPIGLIA	COTTER PIN	GOUPILLE	SPLIT	1
57	12293200/0	DADO	NUT	ECROU	MUTTER	1
58	12155000/0	DADO	NUT	ECROU	MUTTER	1
59	35061424/0	CINGHIA	BELT	COURROIE	RIEMEN	1
60	25510040/0	PERNO	PIN	PIVOT	BOLZEN	1
61	25670011/0	RONDELLA	WASHER	RONDELLE	SCHEIBE	2
62	12155000/0	DADO	NUT	ECROU	MUTTER	1

PIATTO DI TAGLIO (2)
 CUTTING PLATE (2)
 PLATEAU DE COUPE (2)
 SCHNEIDWERKZEUG (2)



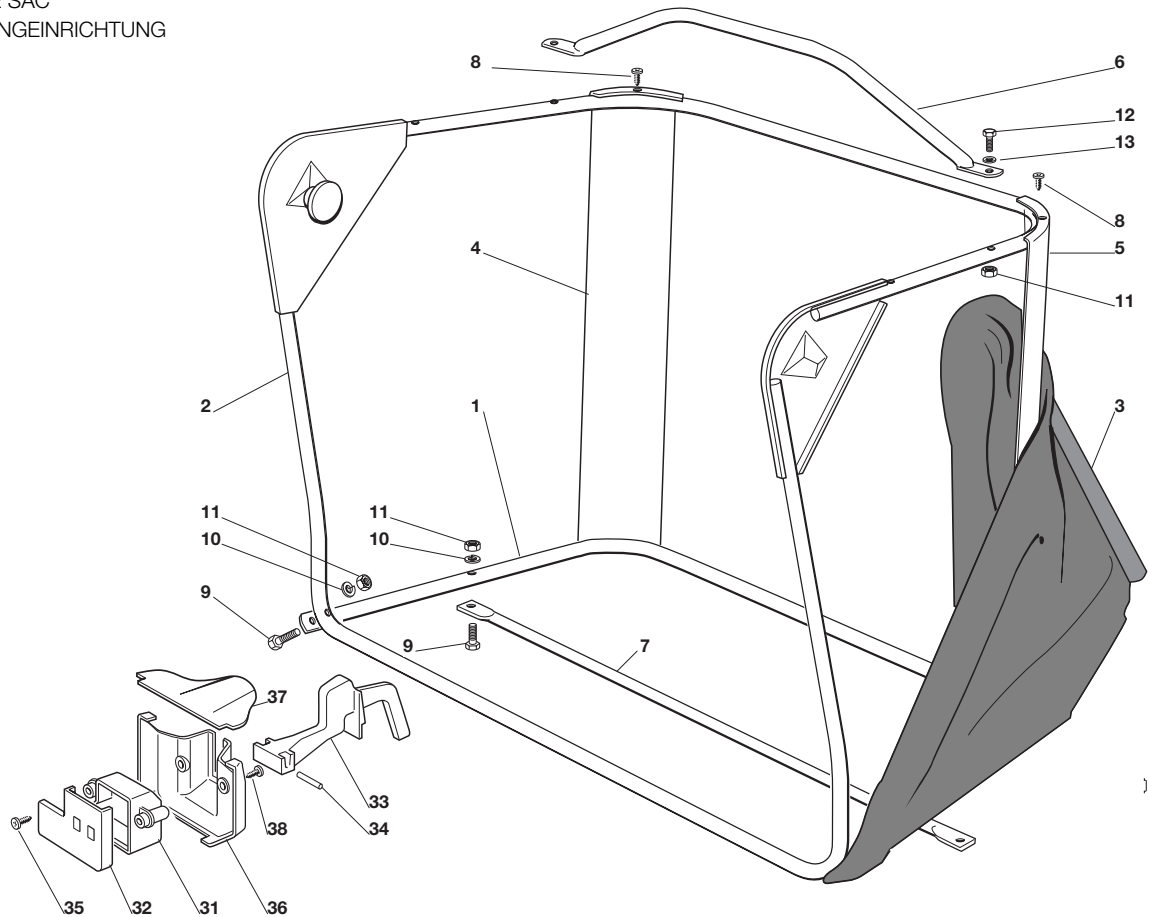
EDIPROM
 9741.09

Pos. Nr.	Codice Kodex Code	Descrizione	Description	Description	Beschreibung	Q.tà Q.ty Q.té Menge
1	84564092/0	PIATTO	PLATE	PLATEAU	SCHNEID	1
2	25033060/0	ATTACCO	WATER HOSE CONNECTION	RACCORD TUYAU D'EAU	WASSERANSCHLUSS	1
3	19035000/0	ANELLO OR	O RING	O RING	O RING	1
4	12500030/0	RIVETTO	RIVET	RIVET	NIET	1
5	27045000/0	BOCCA CONVOGLIATORE	CONVEYOR INLET	BOUCHE CONVOYEUR	BLECHSATZZEINGANG	1
6	12815210/0	VITE	SCREW	VIS	SCHRAUBE	6
7	12523040/0	ROSETTA	WASHER	RONDELLE	SCHEIBE	6
8	12154510/0	DADO	NUT	ECROU	MUTTER	6
9	84207250/0	ASS. FLANGIA (10÷14)	FLANGE ASS.Y (10÷14)	ENS. BRIDE (10÷14)	NABE, KOMPLETT (10÷14)	1
10	27023000/0	ALBERO	SHAFT	ARBRE	WELLE	1
11	27208402/0	FLANGIA	FLANGE	BRIDE	FLANSCH	1
12	19216032/0	CUSCINETTO	BEARING	ROULEMENT	KUEGELLAGER	2
13	25160501/0	DISCO PARAPOLVERE	DUST COVER	PROTEGE-POUSSIÈRE	STAUBSCHUTTSCHIEBE	1
14	12609260/0	SEEGER	SEEGER	SEEGER	SEEGER	1
15	12818700/0	VITE	SCREW	VIS	SCHRAUBE	4
16	12521350/0	RONDELLA	WASHER	RONDELLE	SCHEIBE	4
17	12155000/0	DADO	NUT	ECROU	MUTTER	4
18	25463200/0	MOZZO COLTELLO	BLADE HUB	MOYEU LAME	MESSERHALTER	1
19	12139100/0	LINGUETTA	KEY	CLAVETTE	KEIL	1
20	84109500/0	COLTELLO	BLADE	LAME	MESSER	1
21	22160400/0	DISCO PARAPOLVERE	DUST COVER	PROTEGE-POUSSIÈRE	STAUBSCHUTTSCHIEBE	1
22	12523080/0	RONDELLA	WASHER	RONDELLE	SCHEIBE	1

Pos. Nr.	Codice Kodex Code	Descrizione	Description	Description	Beschreibung	Q.tà Q.ty Q.té Menge
23	12735694/0	VITE	SCREW	VIS	SCHRAUBE	1
24	27604000/0	PULEGGIA	PULLEY	POULIE	RIEMENSCHLEIBE	1
25	12139480/0	CHIAVETTA	KEY	CLAVETTE	KEIL	1
26	12793102/0	VITE	SCREW	VIS	SCHRAUBE	1
27	25670007/0	RONDELLA	WASHER	RONDELLE	SCHLEIBE	1
28	12583500/0	GROWER	GROWER	GROWER	GROWER	1
29	27488000/0	GRIGLIA ASPIRAZIONE	AIR INTAKE GRILL	GRILLE D'ASPIRATION	ANSAUGGITTER	1
30	12815200/0	VITE	SCREW	VIS	SCHRAUBE	4
31	12523040/0	ROSETTA	WASHER	RONDELLE	SCHLEIBE	4
32	12154510/0	DADO	NUT	ECROU	MUTTER	4
33	12794970/0	VITE	SCREW	VIS	SCHRAUBE	1
34	12523080/0	ROSETTA	WASHER	RONDELLE	SCHLEIBE	1
35	12154250/0	DADO	NUT	ECROU	MUTTER	1
36	25510007/0	PERNO	PIN	PIVOT	BOLZEN	1
37	12295200/0	DADO	NUT	ECROU	MUTTER	1
38	12156602/0	DADO	NUT	ECROU	MUTTER	1
—	84564090/0	PIATTO DI TAGLIO ASSEMBLATO (008, 31÷62 + 009, 1÷38)	CUTTING PLATE, ASSEMBLED (008, 31÷62 + 009, 1÷38)	PLATEAU DE COUPE,S COMPLETE (008, 31÷62 + 009, 1÷38)	CHNEIDWERKZEUG, KOMPLETT (008, 31÷62 + 009, 1÷38)	
51	27107500/0	CONVOGLIATORE	CONVEYOR	CONVOYEUR	BLECHSATZ	1
52	27140051/0	DEFLETTORE	DEFLECTOR	DEFLECTEUR	ABWEISER	1
53	12735402/0	VITE	SCREW	VIS	SCHRAUBE	6
54	27510097/1	PERNO	PIN	PIVOT	BOLZEN	1
55	24487997/0	COPPIGLIA	COTTER PIN	GOUPILLE	SPLIT	2

GRUPPO SACCO
 GRASSCATCHER GROUP
 GROUPE SAC
 GRASFANGEINRICHTUNG

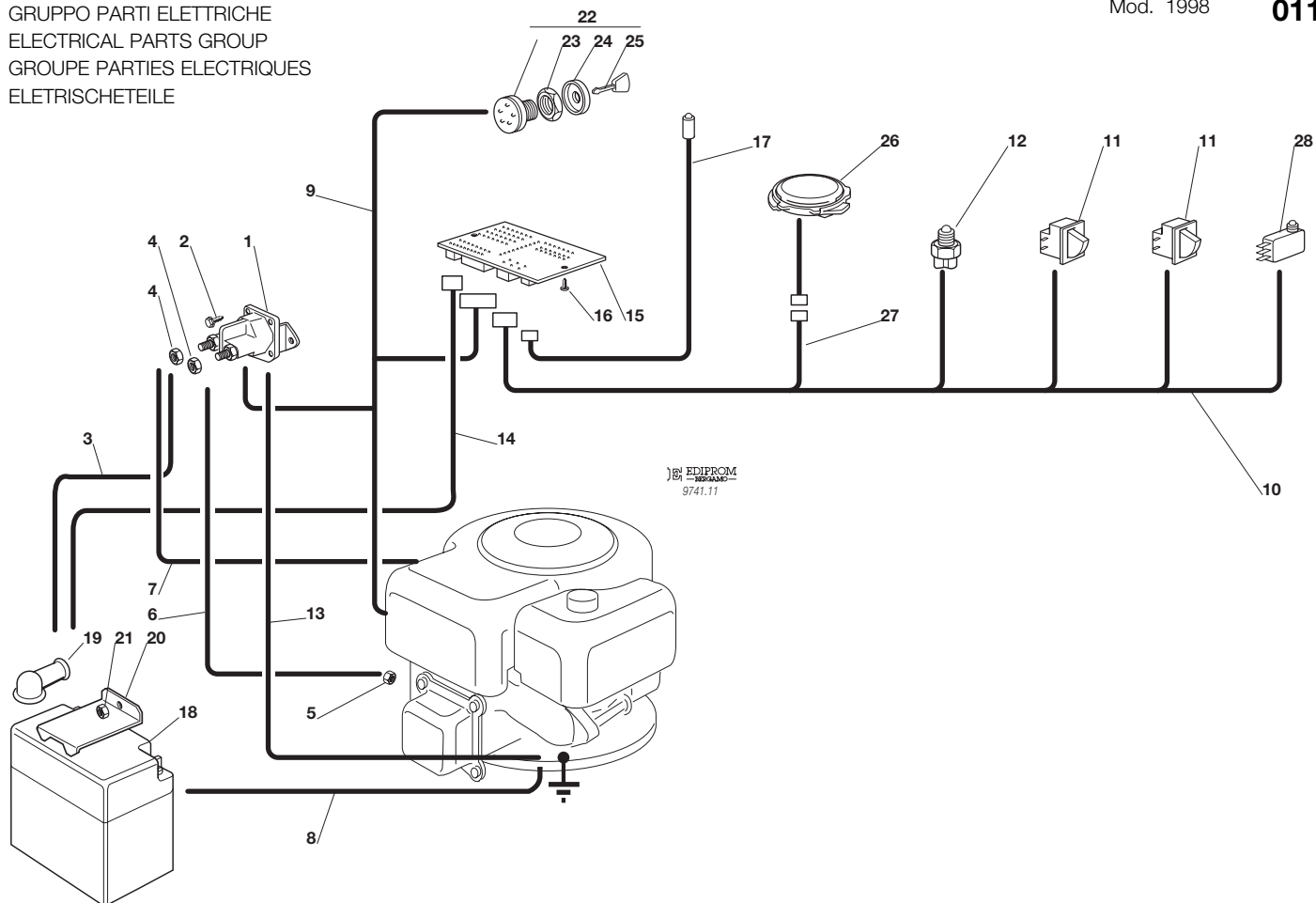
Mod. 1998 **010**



EDIPROM
 9741.10

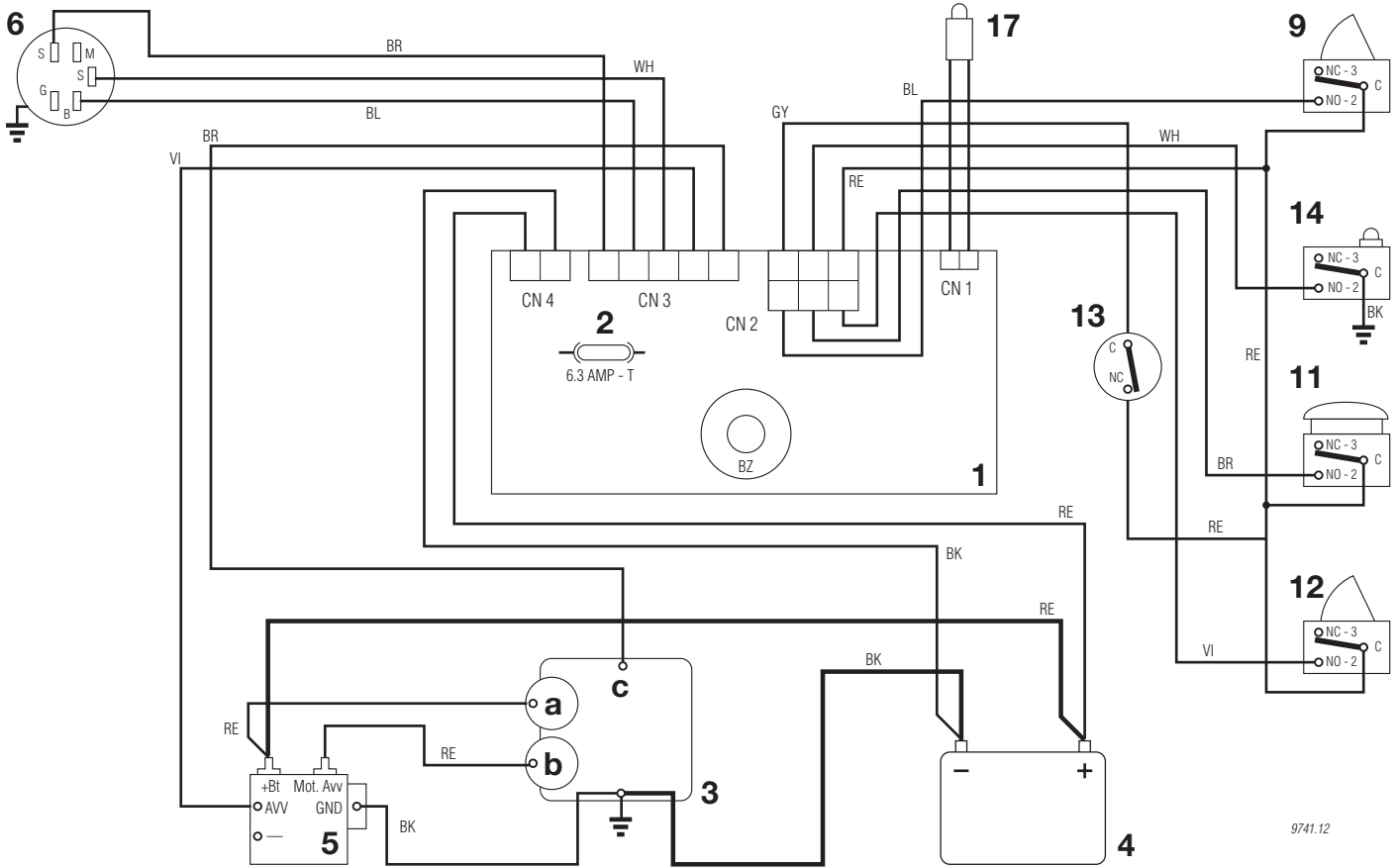
Pos. Nr.	Codice Kodex Code	Descrizione	Description	Description	Beschreibung	Q.tà Q.ty Q.té Menge
1	84801103/0	TELAIO INFERIORE	LOWER FRAME	CHASSIS INFERIEUR	UNTERERRAHMEN	1
2	84801105/0	TELAIO SUPERIORE	UPPER FRAME	CHASSIS SUPERIEUR	OBERERRAHMEN	1
3	84106050/0	CONFEZIONE SACCO	GRASSCATCHER	BAC	SACK	1
4	27010205/0	ANGOLARE DESTRO	RIGHT ANGULAR SUPPORT	SUPPORT ANGULAIRE DROITE	RECHTER HALTER	1
5	27010207/0	ANGOLARE SINISTRO	LEFT ANGULAR SUPPORT	SUPPORT ANGULAIRE	LINKER HALTER	1
6	84869051/0	TUBO	ROD	TIGE	STANGE	1
7	84650100/0	RINFORZO	STIFFENING	RENFORCEMENT	VERSTAERKUNG	1
8	12729601/0	VITE	SCREW	VIS	SCHRAUBE	4
9	12792099/0	VITE	SCREW	VIS	SCHRAUBE	2
10	12582101/0	GROWER	GROWER	GROWER	GROWER	4
11	12292100/0	DADO	NUT	ECROU	MUTTER	4
12	12674701/0	VITE	SCREW	VIS	SCHRAUBE	2
13	12521331/0	RONDELLA	WASHER	RONDELLE	SCHEIBE	2
31	25600022/0	PROTEZIONE MICRO	MICRO PROTECTION	PROTECTION MICRO	SCHUTZ	1
32	25600023/0	COPERCHIO PROTEZIONE	PROTECTION COVER	COUVERCLE PROTECTION	SCHUTZDEKEL	1
33	25318124/0	LEVA	LEVER	LEVIER	HEBEL	1
34	12400030/0	PERNO	PIN	PIVOT	BOLZEN	1
35	12728510/0	VITE	SCREW	VIS	SCHRAUBE	3
36	27600058/0	DEFLETTORE	DEFLECTOR	DEFLECTEUR	ABWEISER	1
37	27109500/0	CHIUSURA DEFLETTORE	DEFLECTOR COVER	COUVERCLE DEFLECTEUR	ABWEISERDEKEL	1
38	12728510/0	VITE	SCREW	VIS	SCHRAUBE	4

GRUPPO PARTI ELETTRICHE
 ELECTRICAL PARTS GROUP
 GROUPE PARTIES ELECTRIQUES
 ELETRISCHETEILE



EDIPROM
 9741.11

Pos. Nr.	Codice Kodex Code	Descrizione	Description	Description	Beschreibung	Q.tà Q.ty Q.té Menge
1	18736110/0	SOLENOIDE	SOLENOID	SOLENOIDE	SOLENOID	1
2	12735110/0	VITE	SCREW	VIS	SCHRAUBE	2
3	27065050/0	CAVO BATT. SOLENOIDE	CABLE	CABLES	KABEL	1
4	12360352/0	DADO	NUT	ECROU	MUTTER	2
5	12361005/0	DADO	NUT	ECROU	MUTTER	1
6	25065001/0	CABLAGGIO SOLEN. AVV.	CABLES ASS.Y	ENS. CABLAGES	KABELSATZ	1
7	27065051/0	CAVO RICARICA	CABLE	CABLES	KABEL	1
8	25065004/0	CAVO MASSA BATTERIA	CABLE	CABLES	KABEL	1
9	84040100/0	CABLAGGIO AVV.	CABLES ASS.Y	ENS. CABLAGES	KABELSATZ	1
10	84040101/0	CABLAGGIO MICRO	CABLES ASS.Y	ENS. CABLAGES	KABELSATZ	1
11	19410606/0	MICRO INTERRUOTTORE	MICRO	MICRO	MIKRO	2
12	19410608/0	INTERRUPTORE CAMBIO	GEARBOX SWITCH	INT. BOÎTE DE VITESSE	ANTRIEB SCHALTER	1
13	25065018/0	CAVO MASSA SOLENOIDE	CABLE	CABLES	KABEL	1
14	27065052/0	CAVO ALIM. SCHEDA	CABLE	CABLES	KABEL	1
15	25722410/0	SCHEDA ELETTRONICA	ELECTRONIC CARD	CARTE ELECTRONIQUE	ELEKTRONISCHE KARTE	1
16	12735101/0	VITE	SCREW	VIS	SCHRAUBE	2
17	25065014/1	CAVO LED SEGNAZIONE	CABLE	CABLES	KABEL	1
18	18120002/1	BATTERIA	BATTERY	BATTERIE	BATTERIE	1
19	18564861/0	CAPPUCCIO	PROTECTION	CAPUCHON	STECKER	1
20	27772099/0	STAFFA	CLAMP	ETRIER	BRIDE	1
21	12155000/0	DADO	NUT	ECROU	MUTTER	1
22	18450065/1	INTERRUPTORE AVVIAMENTO	STARTING SWITCH	INTERRUPTEUR DEMARRAGE	SCHALTER	1
23	18400861/0	GHIERA	SCREWED RING	EMBOUT	NUTMUTTER	1
24	18565351/0	PROTEZIONE GHIERA	SCREWED RING PROTECTION	PROTECTION EMBOUT	NUTMUTTER SCHUTZ	1
25	18210016/0	CHIAVE AVVIAMENTO	STARTING KEY	CLEF A DEMARRAGE	SCHLÜSSEL FÜR START	1
26	19410607/0	MICRO SEDILE	MICRO	MICRO	MIKRO	1
27	25065020/0	CAVO MICRO SEDILE	CABLE	CABLES	KABEL	1
28	19410605/1	MICRO SACCO PIENO	FULL GRASSCATCHER MICROSWITCH	MICRO BAC PLEIN	VOLLKORB VORRICHTUNG	1



9741.12

2 33340033-0 FUSE 6,3 amp. T

1	SCHEDA CON BUZZER	ELECTRONIC CARD WITH BUZZER	CARTE ELECTRONIQUE AVEC BUZZER	ELECTRONISCHE KARTE MIT BUZZER
2	FUSIBILE 6,3 Amp. T	FUSE 6.3 Amp. T	FUSIBLE 6,3 Amp. T	SICHERUNG 6,3 Amp. T
3	MOTORE	ENGINE	MOTEUR	MOTOR
3a	Generatore	Generator	Genérateur	Generator
3b	Motorino avviamento	Starter	Demarreur	Anlasser
3c	Stop motore	Engine stop	Calage du moteur	Motor abstellung
4	BATTERIA	BATTERY	BATTERIE	BATTERIE
5	RELE AVVIAMENTO	STARTER RELAY	RELAIS DE DEMARRAGE	ANLASSER RELAIS
6	INTERRUTTORE A CHIAVE	ELECTROLOCK	INTERRUPTEUR D'ALLUMAGE	SCHLÜSSELSCHALTER
9	MICROINTERRUTTORE LAME	BLADES MICRO SWITCH	MICRO INTERRUPTEUR LAMES	MESSER MIKROSCHALTER
11	MICROINTERRUTTORE SEDILE	SEAT MICRO SWITCH	MICRO INTERRUPTEUR SIEGE	SITZMIKROSCHALTER
12	MICROINTERRUTTORE SACCO	GRASSCATCHER MICRO SWITCH	MICRO INTERRUPTEUR BAC	GRASFANGEINRICHTUNG MIKROSCHALTER
13	MICROINTERRUTTORE CAMBIO	GERARBOX MICROSWITCH	MICRO INT. BOÎTE DE VITESSE	ANTRIEB MICROSCHALTER
14	MICROINTERRUTTORE SACCO PIENO	FULL GRASSCATCHER MICRO SWITCH	MICRO BAC PLEIN	VOLLKORB VORRICHTUNG

COLORI CAVI

BK	NERO
BL	BLU
BR	MARRONE
GY	GRIGIO
RE	ROSSO
VI	VIOLETTA
YG	GIALLO/VERDE
WH	BIANCO

CABLE COLOURS

BK	BLACK
BL	BLUE
BR	BROWN
GY	GREY
RE	RED
VI	VIOLET
YG	YELLOW/GREEN
WH	WHITE

COULEUR CABLES

BK	NOIR
BL	BLEU
BR	BUN
GY	GRIS
RE	ROUGE
VI	VIOLETT
YG	JAUNE/VERT
WH	BLANC

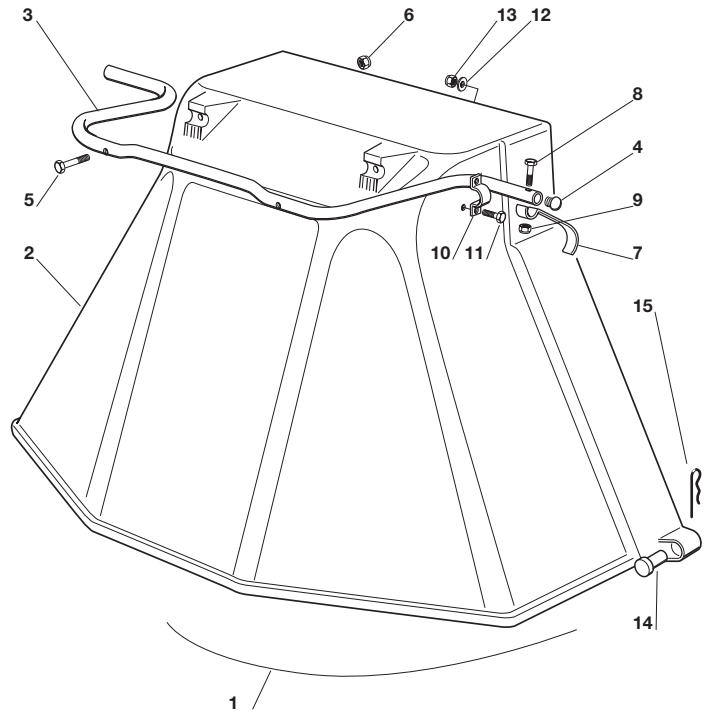
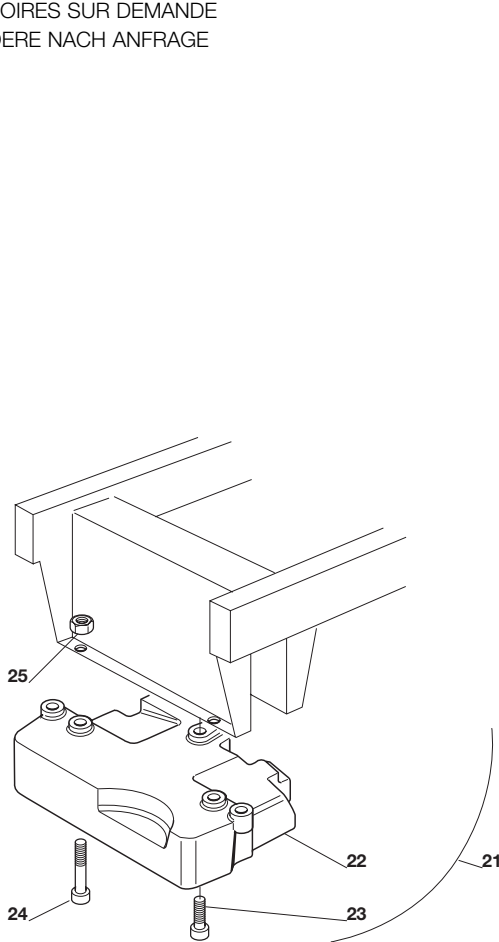
KABEL FARBEN

BK	SCHWARZ
BL	BLAU
BR	BRAUN
GY	GRAU
RE	ROT
VI	ROTLETT
YG	GELB/GRÜN
WH	WEISS

ACCESSORI A RICHIESTA
 OPTIONALS ON REQUEST
 ACCESSOIRES SUR DEMANDE
 ZUBEHOERE NACH ANFRAGE

Mod. 1998

013



EDIPROM
 9741.13

Pos. Nr.	Codice Kodex Code	Descrizione	Description	Description	Beschreibung	Q.tà Q.ty Q.té Menge
1	99900090/0	ASS. KIT PROTEZIONE USCITA	EJECTION-GUARD ASS.Y	KIT PROTECTION SORTIE	VORRICHTUNG FÜR AUSWURESCHUTZ	1
2	84598062/0	PROTEZIONE USCITA	EJECTION GUARD	PROTECTION SORTIE	AUSWURFSCHUTZ	1
3	27869053/0	TUBO DI AGGANCIO	SUPPORT	SOPPORT	HALTER	1
4	18566113/0	PUNTALE	CAP	BOUCHON	PFROPFEN	2
5	12674701/0	VITE	SCREW	VIS	SCHRAUBE	2
6	12154510/0	DADO	NUT	ECROU	MUTTER	2
7	25547053/0	PIASTRINA	PLATE	PLAQUETTE	PLÄTTCHEN	1
8	12791500/0	VITE	SCREW	VIS	SCHRAUBE	1
9	12154510/0	DADO	NUT	ECROU	MUTTER	1
10	27547049/0	PIASTRINA	PLATE	PLAQUETTE	PLÄTTCHEN	2
11	12789008/0	VITE	SCREW	VIS	SCHRAUBE	4
12	12523020/0	ROSETTA	WASHER	RONDELLE	SCHEIBE	4
13	12154320/0	DADO	NUT	ECROU	MUTTER	4
14	25510022/0	PERNO	PIN	PIVOT	BOLZEN	2
15	24487998/0	COPPIGLIA	COTTER PIN	GOUPILLE	SPLIT	2
21	99900030/4	ASS. KIT PESO ANT.	FRONT WEIGHT KIT	KIT POIDS ANTERIEUR	VORDERGEWICHT VORRICHTUNG	1
22	25519999/2	PESO	WEIGHT	POIDS	GEWICHT	1
23	12760510/0	VITE	SCREW	VIS	SCHRAUBE	1
24	12760530/0	VITE	SCREW	VIS	SCHRAUBE	2
25	12155000/0	DADO	NUT	ECROU	MUTTER	3