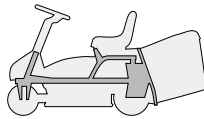
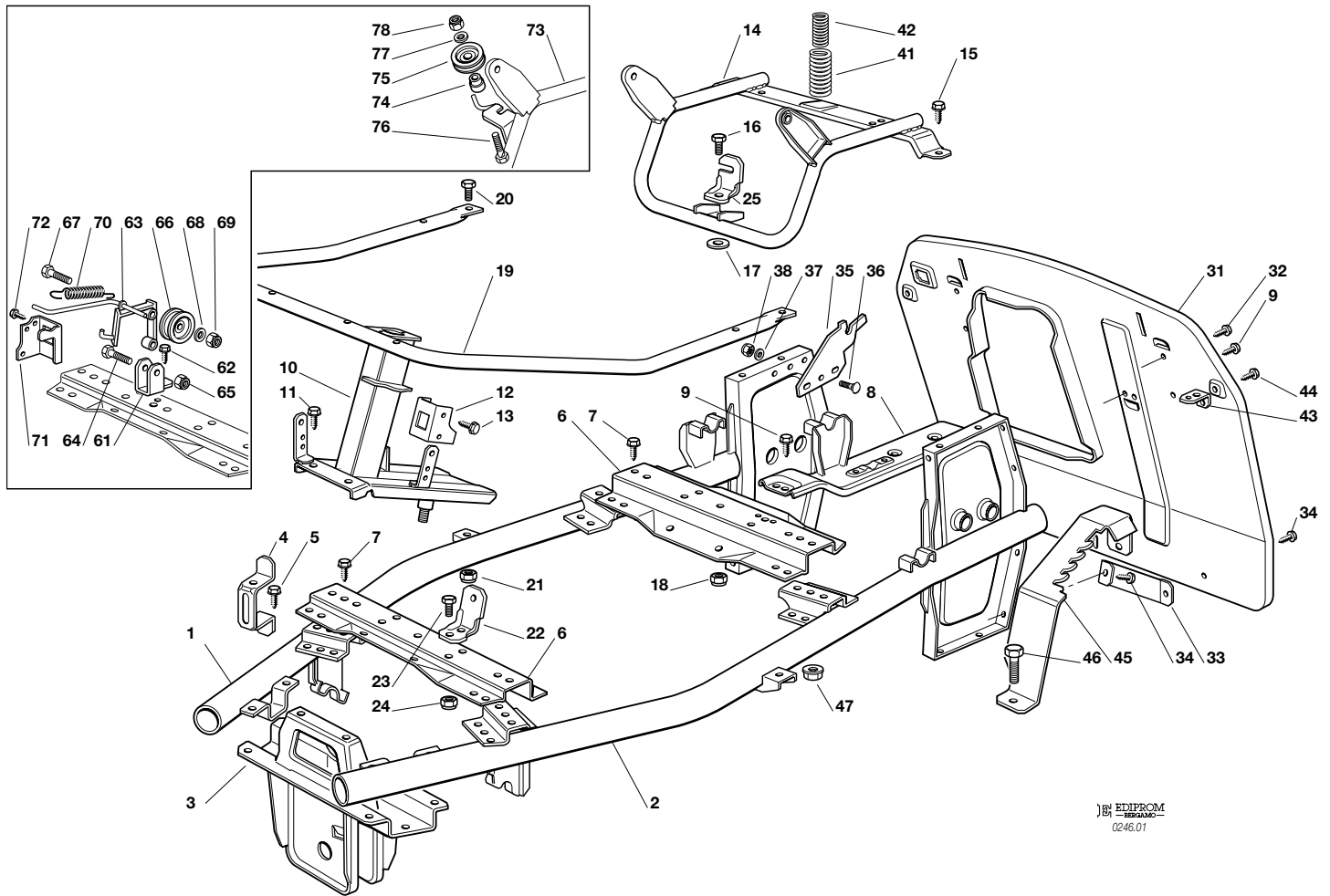


EL63
TELAIO
CHASSIS
CHASSIS
RAHMENSATZ

2003

001.0

1 / 2


 EDIPROM
 0246.01

N.	CODE	Q.TY	DESCRIZIONE	DESCRIPTION	DESCRIPTION	BESCHREIBUNG
1	84318401/0	1	LONGHERONE DX	SIDE FRAME, RIGHT	LONGERON, DROIT	LÄNGSTRÄGER, RECHTER
2	84318403/0	1	LONGHERONE SX	SIDE FRAME, LEFT	LONGERON, GAUCHE	LÄNGSTRÄGER, LINKER
3	84783015/0	1	SUPPORTO AVANTRENO	SUPPORT	SUPPORT	HALTER
4	27772121/0	2	STAFFA	CLAMP	ETRIER	BRIDE
5	12735121/0	6	VITE	SCREW	VIS	SCHRAUBE
6	27650115/1	2	RINFORZO CENTRALE	STIFFENING	REINFORCEMENT	VERSTAERKUNG
7	12735121/0	12	VITE	SCREW	VIS	SCHRAUBE
8	84650105/0	1	RINFORZO	STIFFENING	REINFORCEMENT	VERSTAERKUNG
9	12735121/0	4	VITE	SCREW	VIS	SCHRAUBE
10	84783017/1	1	SUPPORTO PIANTONE	SUPPORT	SUPPORT	HALTER
11	12735121/0	6	VITE	SCREW	VIS	SCHRAUBE
12	27772095/0	1	SUPPORTO MICRO LAMA	SUPPORT	SUPPORT	HALTER
13	12735106/0	2	VITE	SCREW	VIS	SCHRAUBE
15	12735121/0	2	VITE	SCREW	VIS	SCHRAUBE
16	12793701/0	1	VITE	SCREW	VIS	SCHRAUBE
17	12523070/0	1	RONDELLA	WASHER	RONDELLE	SCHEIBE
18	12155000/0	1	DADO	NUT	ECROU	MUTTER
19	27869057/0	1	SUPPORTO PEDANE	SUPPORT	SUPPORT	HALTER
20	12792099/0	4	VITE	SCREW	VIS	SCHRAUBE
21	12154510/0	4	DADO	NUT	ECROU	MUTTER
22	27773077/0	1	SQUADRETTA	ANGLE BRACKET	EQUERRE	WINKEL
23	12791011/0	1	VITE	SCREW	VIS	SCHRAUBE
24	12154510/0	1	DADO	NUT	ECROU	MUTTER
25	27753081/0	1	SQUADRETTA	ANGLE BRACKET	EQUERRE	WINKEL
31	84545061/0	1	PIASTRA POSTERIORE	REAR PLATE	PLAQUE ARRIERE	HINTERE PLATTE
32	12735121/0	4	VITE	SCREW	VIS	SCHRAUBE
33	27650111/0	2	RINFORZO	STIFFENING	REINFORCEMENT	VERSTAERKUNG
34	12735121/0	4	VITE	SCREW	VIS	SCHRAUBE
35	27772131/0	2	STAFFA	CLAMP	ETRIER	BRIDE
36	12818690/0	2	VITE	SCREW	VIS	SCHRAUBE





N.	CODE	Q.TY	DESCRIZIONE	DESCRIPTION	DESCRIPTION	BESCHREIBUNG
37	12521350/0	2	RONDELLA	WASHER	RONDELLE	SCHEIBE
38	12155000/0	2	DADO	NUT	ECROU	MUTTER
41	27430567/0	1	MOLLA	SPRING	RESSORT	FEDER
42	27430569/0	1	MOLLA	SPRING	RESSORT	FEDER
43	27753073/0	2	SQUADRETTA	ANGLE BRACKET	EQUERRE	WINKEL
44	12729601/0	2	VITE	SCREW	VIS	SCHRAUBE
45	27734059/0	1	SETTORE SOLLEVAMENTO	RACK	CREMAILLERE	ZAHNSCHIENE
46	12791200/0	2	VITE	SCREW	VIS	SCHRAUBE
47	12292102/0	2	DADO	NUT	ECROU	MUTTER

***Nei modelli
con avviamento elettrico:***

***For models
with electric start:***

***Dans les modèles avec
démarrage électrique:***

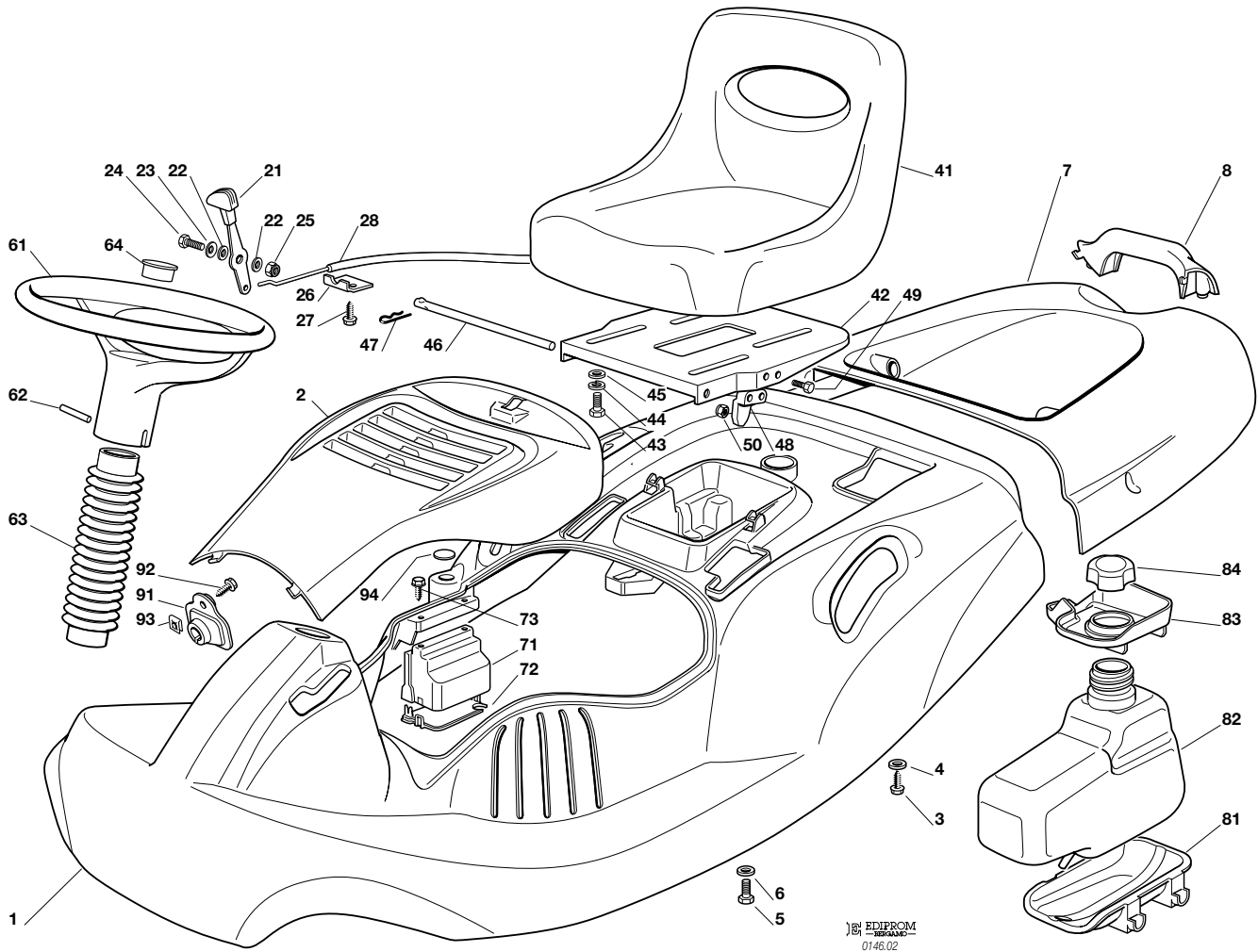
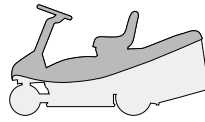
***Bei Modellen mit
elektrischem Anlassen:***

14 84801117/1 1 SUPPORTO SEDILE

SUPPORT

SUPPORT

HALTER



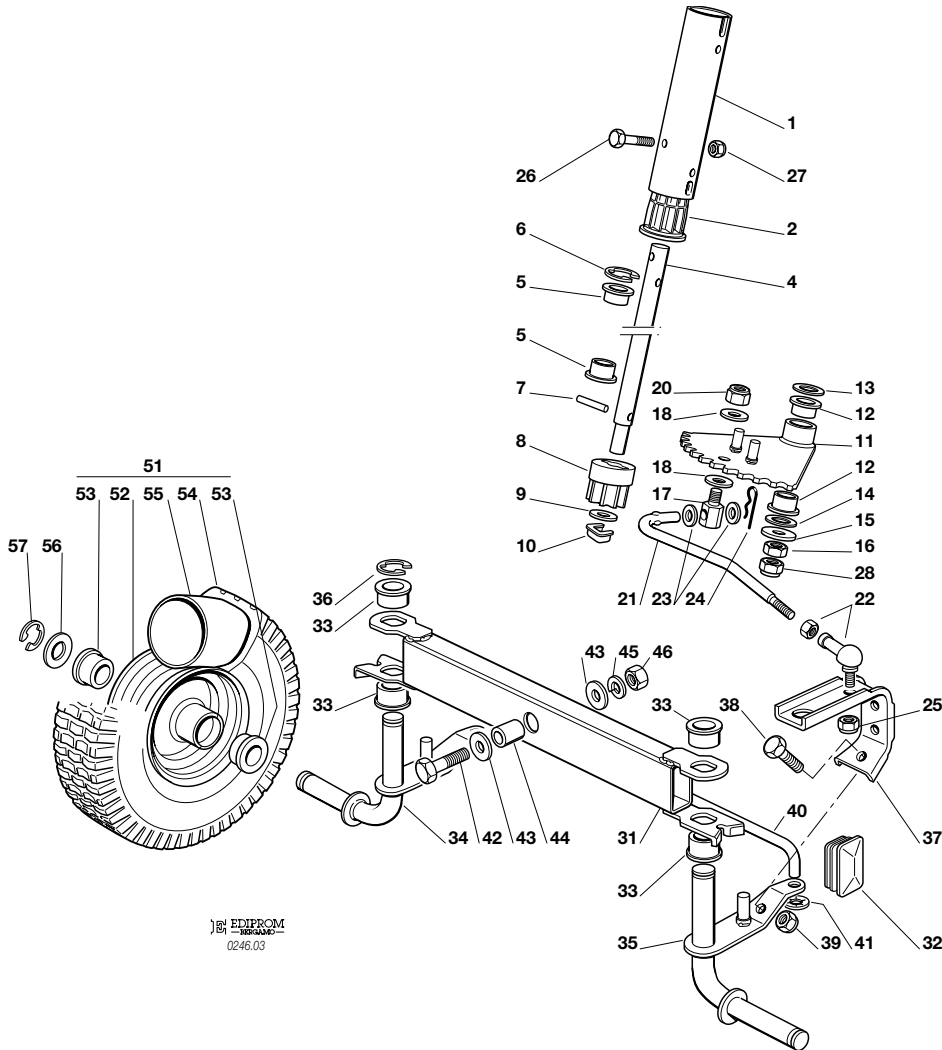
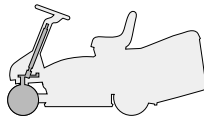
EDIPROM
0146.02

N.	CODE	Q.TY	DESCRIZIONE	DESCRIPTION	DESCRIPTION	BESCHREIBUNG
2		1	COPERTURA MOTORE	ENGINE COVER	COUVRE MOTEUR	MOTORKAPPE
	27110366/0	1	GIALLO	YELLOW	JAUNE	GELB
3	12735410/0	4	VITE	SCREW	VIS	SCHRAUBE
4	12523040/0	4	ROSETTA			
5	12735402/0	2	VITE	SCREW	VIS	SCHRAUBE
6	12521331/0	4	ROSETTA	WASHER	RONDELLE	SCHEIBE
7		1	COPERTURA SACCO	GRASS-CATCHER COVER,	COUVRE-BAC	SACKKAPPE
	27110367/0		GIALLO	YELLOW	JAUNE	GELB
	27110070/0		BLU	BLUE	BLEU	BLAU
8	27394000/0	1	MANIGLIA	HANDLE	POIGNEE	GRIF
21	81007280/2	1	LEVA ACCELERATORE	ACCELERATOR LEVER	LEVIER ACCELERATEUR	GASHEBEL
22	12523040/0	2	ROSETTA	WASHER	RONDELLE	SCHEIBE
23	12530060/0	1	ROSETTA	WASHER	RONDELLE	SCHEIBE
24	12791500/0	1	VITE	SCREW	VIS	SCHRAUBE
25	12154510/0	1	DADO	NUT	ECROU	MUTTER
26	22981467/0	1	PIASTRINA	PLATE	PLAQUE	PLATTE
27	12735105/0	2	VITE	SCREW	VIS	SCHRAUBE
28	84000252/0	1	CAVO ACCELERAT.	THROTTLE CABLE	CABLE ACCELERATEUR	BESCHLEUNIGER KABEL
41	25722453/1	1	SEDILE	SEAT	SIEGE	SITZ
42	27546039/1	1	SUPPORTO SEDILE	SUPPORT	SUPPORT	HALTER





N.	CODE	Q.TY	DESCRIZIONE	DESCRIPTION	DESCRIPTION	BESCHREIBUNG
43	12793101/0	4	VITE	SCREW	VIS	SCHRAUBE
44	12583500/0	4	GROWER	GROWER	GROWER	GROWER
45	12523060/0	4	RONDELLA	WASHER	RONDELLE	SCHEIBE
46	27864052/0	1	PERNO SEDILE	PIN	PIVOT	BOLZEN
47	24487997/0	1	COPPIGLIA	COTTER PIN	GOUPILLE	SPLIT
48	27063021/0	1	CAMMA	CAM	CAME	NOCKEN
49	12789100/0	2	VITE	SCREW	VIS	SCHRAUBE
50	12154330/0	2	DADO	NUT	ECROU	MUTTER
61	27961230/0	1	VOLANTE	STEERING WHEEL	VOLANT	LENKRAD
62	12620305/0	1	SPINA	PIN	GOUPILLE	STIFT
63	27600114/1	1	PROTEZIONE	GUARD	PROTECTION	SCHUTZ
64	25120230/0	1	TAPPO	CAP	BOUCHON	STOPFEN
71	27600119/0	1	PROTEZIONE SCHEDA	GUARD	PROTECTION	SCHUTZ
72	27600118/0	1	PROTEZIONE SCHEDA	GUARD	PROTECTION	SCHUTZ
73	12727810/0	2	VITE	SCREW	VIS	SCHRAUBE
81	27787057/0	1	SUPPORTO	SUPPORT	SUPPORT	HALTER
82	27733002/0	1	SERBATOIO	TANK	RESERVOIR	TANK
83	27600113/0	1	PROTEZIONE BENZINA	GUARD	PROTECTION	SCHUTZ
84	27790000/0	1	TAPPO SERBATOIO	CAP	BOUCHON	TANKVERSCHLUSS
			Nei modelli con avviamento elettrico:	For models with electric start:	Dans les modèles avec démarrage électrique:	Bei Modellen mit elektrischem Anlassen:
1		1	COPERTURA RUOTE	WHEELS COVER	COUVRE ROUES	RADENKAPPE
	27110365/0		GIALLO	YELLOW	JAUNE	GELB



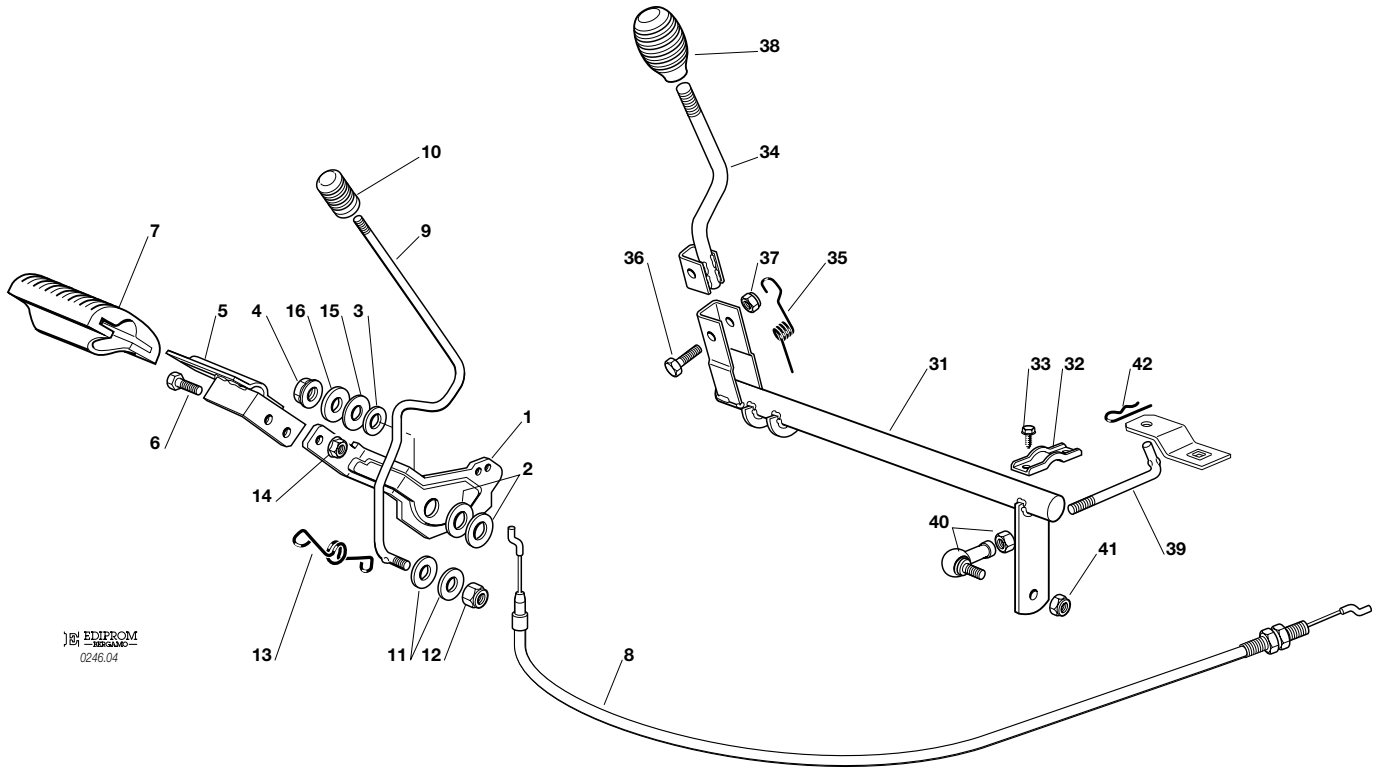
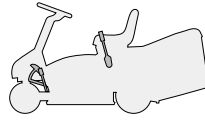
EDIPROM
0246.03

N.	CODE	Q.TY	DESCRIZIONE	DESCRIPTION	DESCRIPTION	BESCHREIBUNG
1	27340305/1	1	PROLUNGA PIANTONE	COLUM EXTENSION	TUBE EXTENSION	VERLÄNGERUNGSSTÜCK
2	27047005/1	1	BUSSOLA	BUSH	DOUILLE	BUCHSE
4	27520052/0	1	PIANTONE STERZO	STEERING COLUMN	TUBE DE DIRECTION	LENKUNGSÄULE
5	27047004/0	2	BUSSOLA	BUSH	DOUILLE	BUCHSE
6	12001010/0	1	ANELLO ELASTICO	SNAP RING	ANNEAU RESSORT	SPRENGRING
7	12622650/0	1	SPINA	PIN	GOUPILLE	STIFT
8	27570050/0	1	PIGNONE	PINION	PIGNON	RITZEL
9	12521370/0	1	RONDELLA	WASHER	RONDELLE	SCHEIBE
10	12436030/0	1	PIASTRINA	PLATE	PLAQUETTE	PLATTECHEN
11	84735553/1	1	CORONA STERZO	RING GEAR	COURONNE	ZAHNKRANZ
12	27047004/0	2	BUSSOLA	BUSH	DOUILLE	BUCHSE
13	27670054/0	1	RONDELLA	WASHER	RONDELLE	SCHEIBE
14	22672152/0	1	RONDELLA	WASHER	RONDELLE	SCHEIBE
15	12523060/0	1	RONDELLA	WASHER	RONDELLE	SCHEIBE
16	12293200/0	1	DADO	NUT	ECROU	MUTTER
17	25510056/0	1	PERNO	PIN	PIVOT	BOLZEN
18	25670008/1	2	RONDELLA	WASHER	RONDELLE	SCHEIBE
20	12156602/0	1	DADO	NUT	ECROU	MUTTER
21	27034066/1	1	ASTA	ROD	BARRE	STANGE
22	22746601/0	1	SNODO	JOINT	JOINT	GELENK
23	25670008/1	2	RONDELLA	WASHER	RONDELLE	SCHEIBE
24	24487998/0	1	COPPIGLIA	COTTER PIN	GOUPILLE	SPLIT
25	12155000/0	1	DADO	NUT	ECROU	MUTTER
26	12689515/0	2	VITE	SCREW	VIS	SCHRAUBE
27	12154510/0	2	DADO	NUT	ECROU	MUTTER
28	12155000/0	1	DADO	NUT	ECROU	MUTTER
31	84034059/0	1	BILANCIERE	EQUALIZER	BALANCIER	KIPPHEBEL
32	18737852/0	2	TAPPO CHIUSURA	CAP	BOUCHON	VERSCHLUSS
33	27047004/0	4	BRONZINA	BUSH	DOUILLE	BÜCHSE



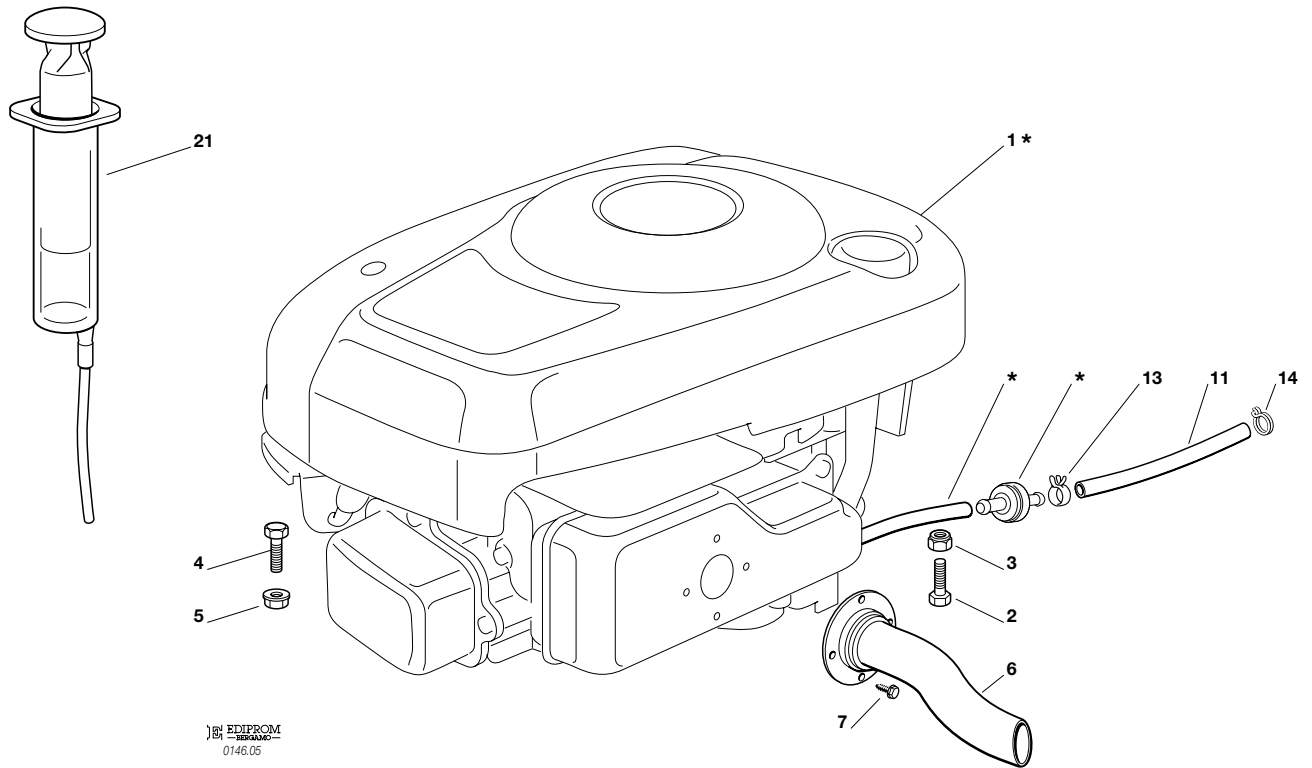
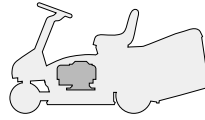


N.	CODE	Q.TY	DESCRIZIONE	DESCRIPTION	DESCRIPTION	BESCHREIBUNG
34	84230405/0	1	FUSELLO DESTRO	RIGHT STUB AXLE	FUSEAU DROITE	RECHTER ACHSSCHENKEL
35	84230407/0	1	FUSELLO SINISTRO	LEFT STUB AXLE	FUSEAU GAUCHE	LINKER ACHSSCHENKEL
36	12000970/0	1	ANELLO ELASTICO	SNAP RING	ANNEAU RESSORT	SPRENGRING
37	27787041/0	1	SUPPORTO	SUPPORT	SUPPORT	HALTER
38	12793102/0	1	VITE	SCREW	VIS	SCHRAUBE
39	12155000/0	1	DADO	NUT	ECROU	MUTTER
40	27840051/0	1	TIRANTE	TIE ROD	TIRANT	SPANNSTANGE
41	12604899/0	2	FISSATORE A CORONA	CROWN FASTENER	FIXATEUR A COURONNE	KRONESCHEIBE
42	12692695/0	1	VITE	SCREW	VIS	SCHRAUBE
43	12523100/0	2	RONDELLA	WASHER	RONDELLE	SCHEIBE
44	25160016/0	1	DISTANZIALE	SPACER	ENTRETOISE	ENTFERNUNGSSTUCK
45	12587100/0	1	GROWER	GROWER	GROWER	GROWER
46	12295300/0	1	DADO	NUT	ECROU	MUTTER
51	84680056/0	2	ASS. RUOTA ANTERIORE	FRONT WHEEL	ROUE AVANT	VORDERRAD
52	84044002/0	1	CERCHIO	RIMM	BANDAGE ROUE	VORDERRAD FELGER
53	27045070/0	4	BOCCOLA	BUSH	DOUILLE	BUCHSE
54	27590054/0	1	PNEUMATICO	SHOE	PNEU	REIFEN
55	27590056/0	1	CAMERA D'ARIA	INNER TUBE	CHAMBRE A AIRE	REIFENSCHLAUCH
56	12521390/0	2	RONDELLA	WASHER	RONDELLE	SCHEIBE
57	12000970/0	2	ANELLO ELASTICO	SNAP RING	ANNEAU RESSORT	SPRENGRING



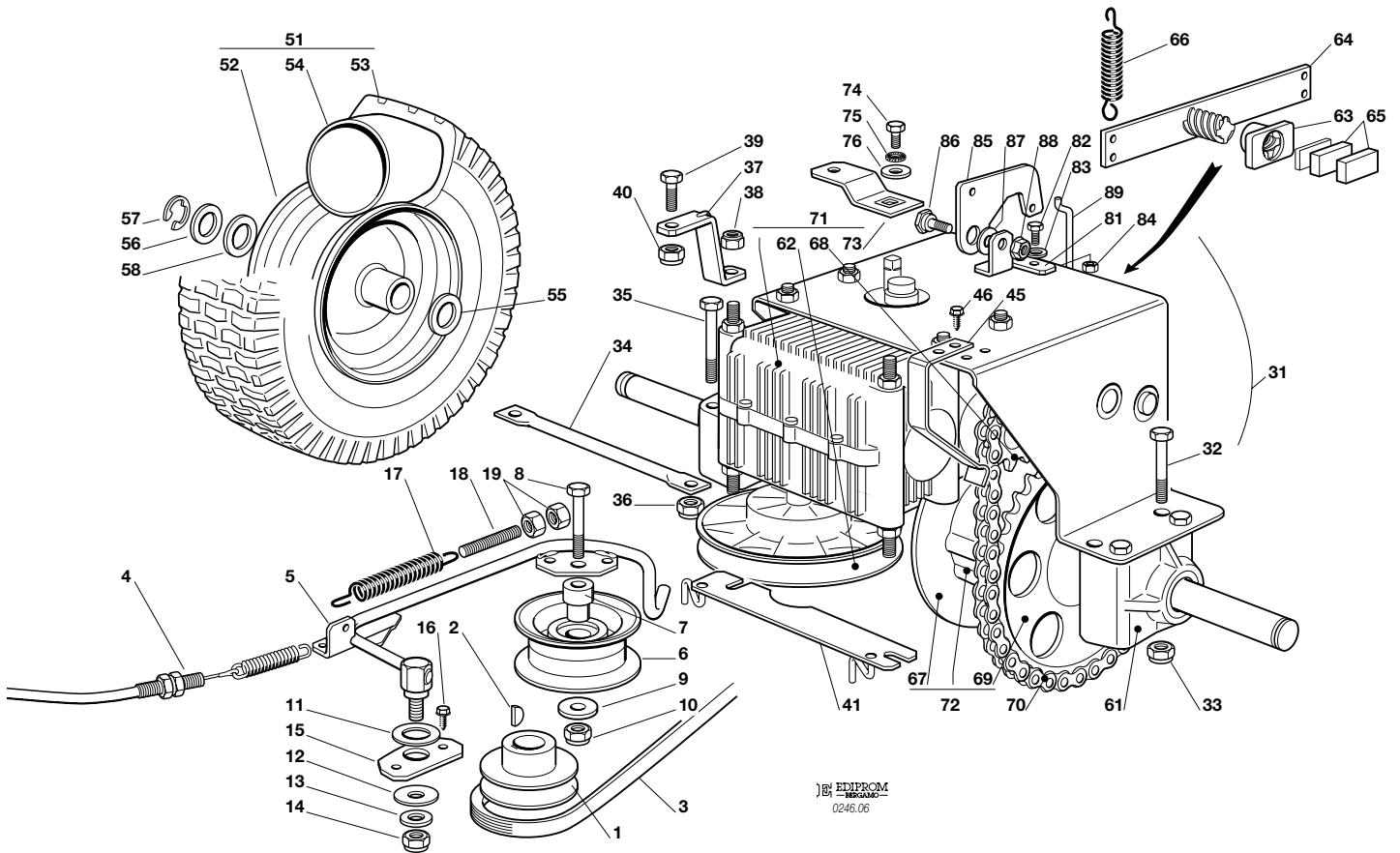
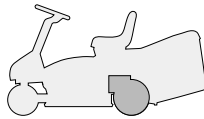
EDIPROM
0246.04

N.	CODE	Q.TY	DESCRIZIONE	DESCRIPTION	DESCRIPTION	BESCHREIBUNG
1	27500051/0	1	PEDALE FRENO	PEDAL	PEDAL	PEDAL
2	27670054/0	2	RONDELLA	WASHER	RONDELLE	SCHEIBE
3	12521350/0	1	RONDELLA	WASHER	RONDELLE	SCHEIBE
4	12154210/0	1	DADO	NUT	ECROU	MUTTER
5	84503005/0	1	PEDALE FRENO SUP.	PEDAL UPPER	PEDAL SUPERIEUR	PEDAL, OBER
6	12791200/0	2	VITE	SCREW	VIS	SCHRAUBE
7	25110269/0	1	COPRISTAFFA	CLAMP COVER	COUVRE ETRIER	BRIDEDECKEL
8	84207105/0	1	FILO	CABLE	FIL	KABEL
9	27034064/0	1	ASTA	ROD	BARRE	STANGE
10	27395050/1	1	MANOPOLINA	KNOB	POIGNEE	KNOPF
11	25670011/0	2	RONDELLA	WASHER	RONDELLE	SCHEIBE
12	12155000/0	1	DADO	NUT	ECROU	MUTTER
13	27430564/0	1	MOLLA	SPRING	RESSORT	FEDER
14	12292102/0	2	DADO	NUT	ECROU	MUTTER
15	27670055/0	1	RONDELLA	WASHER	RONDELLE	SCHEIBE
16	12523060/0	1	RONDELLA	WASHER	RONDELLE	SCHEIBE
31	84001021/0	1	ASSE CAMBIO	AXLE	AXE	ACHSE
32	27546015/1	2	PIASTRINA	PLATE	PLAQUE	PLATTE
33	12729601/0	4	VITE	SCREW	VIS	SCHRAUBE
34	84317071/0	1	LEVA	GEARSHIFT	LEVIER	HEBEL
35	27430570/1	1	MOLLA	SPRING	RESSORT	FEDER
36	12674700/0	1	VITE	SCREW	VIS	SCHRAUBE
37	12154510/0	1	DADO	NUT	ECROU	MUTTER
38	25394510/0	1	MANOPOLA	KNOB	POIGNEE	KNOPF
39	27034063/0	1	ASTA	ROD	BARRE	STANGE
40	22746601/0	1	SNODO	JOINT	JOINT	GELENK
41	12155000/0	1	DADO	NUT	ECROU	MUTTER
42	24487997/0	1	COPPIGLIA	COTTER PIN	GOUPILLE	SPLIT



N.	CODE	Q.TY	DESCRIZIONE	DESCRIPTION	DESCRIPTION	BESCHREIBUNG
1*	-	1	MOTORE	ENGINE	MOTEUR	MOTOR
2	12691900/0	1	VITE	SCREW	VIS	SCHRAUBE
3	12155000/0	1	DADO	NUT	ECROU	MUTTER
4	12691100/0	2	VITE	SCREW	VIS	SCHRAUBE
5	12293201/0	2	DADO	NUT	ECROU	MUTTER
6	84869053/0	1	TUBO SCARICO	EXAUSTE TUBE	TUBE DE ECHAPPEMENT	ROHR FÜR APGASUNG
7	12735111/0	4	VITE	SCREW	VIS	SCHRAUBE
11	38780530/1	1	TUBO CARBURANTE	TUBE	TUBE	ROHR
13	18375051/1	1	FASCETTA	FAIR LED	FIXATION DE CABLE	KABELBEFESTIGUNG
14	18375053/0	1	FASCETTA	FAIR LED	FIXATION DE CABLE	KABELBEFESTIGUNG
21	18718000/0	1	SIRINGA	SYRINGE	SERINGUE	SPRITZE

PER LA SOSTITUZIONE DELLE PARTI CONTRASSEGNALE CON «*» RIVOLGERSI AL SERVIZIO ASSISTENZA DEL COSTRUTTORE DEL MOTORE.
 TO REPLACE THE PARTS MARKED «*» SEEK ASSISTANCE FROM THE ENGINE MANUFACTURER'S AFTER SALES SERVICE.
 POUR LE REMPLACEMENT DES PIÈCES MARQUÉES AVEC «*» S'ADRESSER AU SERVICE APRÈS VENTES DU CONSTRUCTEUR DU MOTEUR.
 ZUM AUSTAUSCH DER MIT «*» GEKENNZEICHNETEN TEILE, WENDEN SIE SICH AN DEN KUNDENDIENST DES HERSTELLERS DES MOTOR.



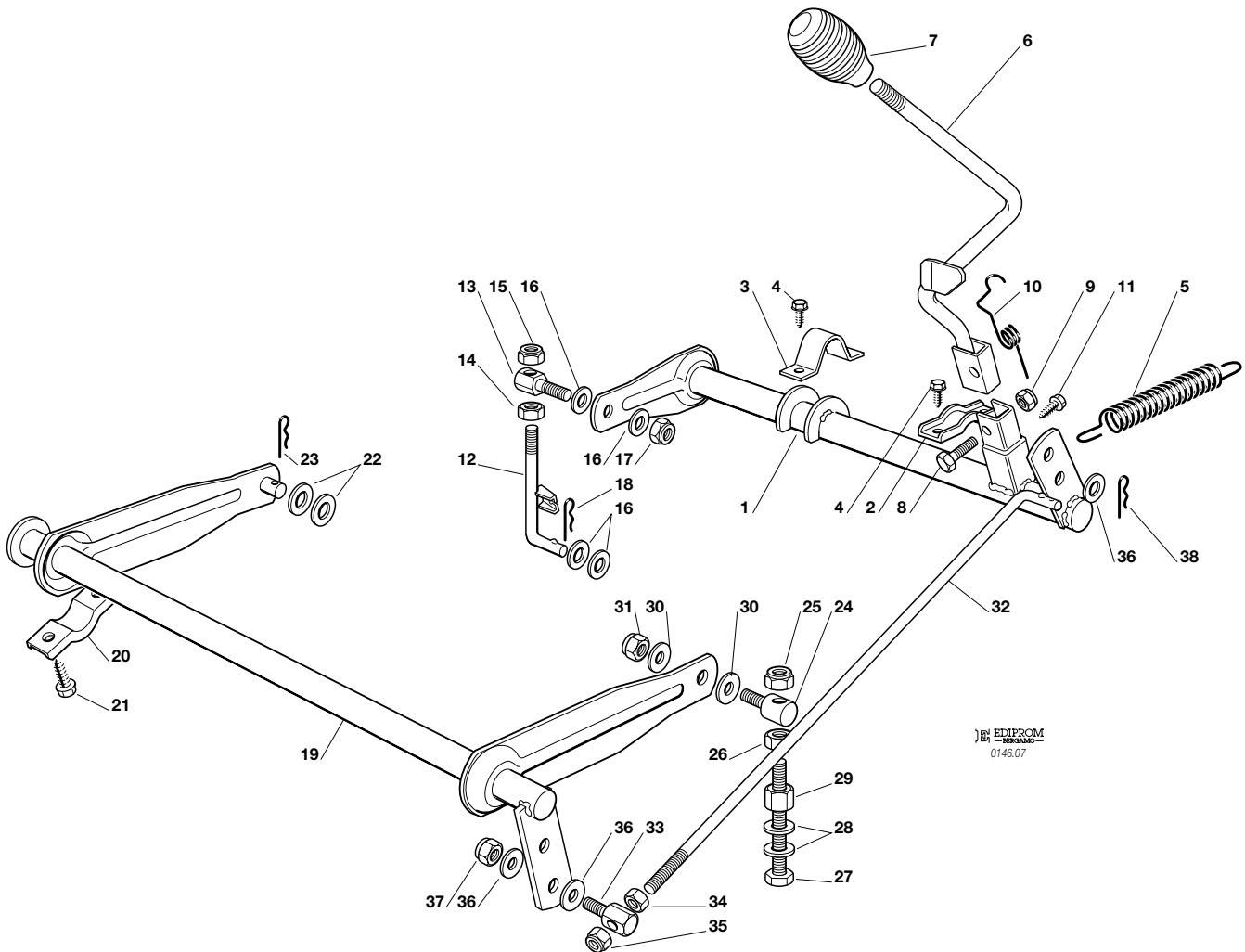
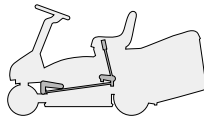
EDIPROM
0246.06

N.	CODE	Q.TY	DESCRIZIONE	DESCRIPTION	DESCRIPTION	BESCHREIBUNG
1	27604006/2	1	PULEGGIA	PULLEY	POULIE	RIEMENSCHLEIBE
2	12139100/0	1	LINGUETTA	KEY	CLAVETTE	KEIL
3	35061406/0	1	CINGHIA	BELT	COURROIE	RIEMEN
4	84207103/1	1	FILO	CABLE	FIL	KABEL
5	84317077/0	1	LEVA	LEVER	LEVIER	HEBEL
6	27604007/0	1	PULEGGIA	PULLEY	POULIE	RIEMENSCHLEIBE
7	27047007/0	1	BUSSOLA	BUSH	DOUILLE	BUCHSE
8	12691200/0	1	VITE	SCREW	VIS	SCHRAUBE
9	12523070/0	1	ROSETTA	WASHER	RONDELLE	SCHEIBE
10	12155000/0	1	DADO	NUT	ECROU	MUTTER
11	27670054/0	1	RONDELLA	WASHER	RONDELLE	SCHEIBE
12	25670011/0	1	RONDELLA	WASHER	RONDELLE	SCHEIBE
13	12523060/0	1	RONDELLA	WASHER	RONDELLE	SCHEIBE
14	12155000/0	1	DADO	NUT	ECROU	MUTTER
15	27546029/0	1	PIASTRINA	PLATE	PLAQUE	PLATTE
16	12734995/0	2	VITE	SCREW	VIS	SCHRAUBE
17	25430219/0	1	MOLLA	SPRING	RESSORT	FEDER
18	25840005/0	1	TIRANTE	TIE ROD	TIRANT	SPANNSTANGE
19	12293200/0	2	DADO	NUT	ECROU	MUTTER
31	18400970/1	1	GRUPPO TRASMISSIONE	TRANSMISSION UNIT	GRUPE TRANSMISSION	ANTRIEBSGRUPPE
32	12692050/0	3	VITE	SCREW	VIS	SCHRAUBE
33	12154210/0	4	DADO	NUT	ECROU	MUTTER
34	27840053/0	1	RINFORZO	STIFFENING	RENFORCEMENT	VERSTAERKUNG
35	25943001/0	1	VITE	SCREW	VIS	SCHRAUBE
36	12155000/0	2	DADO	NUT	ECROU	MUTTER
37	27650119/0	2	RINFORZO	STIFFENING	RENFORCEMENT	VERSTAERKUNG
38	12155000/0	2	DADO	NUT	ECROU	MUTTER
39	12792611/0	1	VITE	SCREW	VIS	SCHRAUBE
40	12155000/0	1	DADO	NUT	ECROU	MUTTER
41	84250051/0	1	GUIDACINGHIA	BELT GUIDE	GUIDE DE COURROIE	RIEMENFUHRUN





N.	CODE	Q.TY	DESCRIZIONE	DESCRIPTION	DESCRIPTION	BESCHREIBUNG
45	84394830/0	1	MOLLA	SPRING	RESSORT	FEDER
46	12735104/0	2	VITE	SCREW	VIS	SCHRAUBE
51	84680057/0	2	RUOTA POSTERIORE	REAR WHEEL	ROUE ARRIERE	HINTERRAD
52	84044001/0	1	CERCHIO	RIMM	BANDAGE ROUE	HINTERRAD FELGER
53	27590055/0	1	PNEUMATICO	SHOE	PNEU	REIFEN
54	27590057/0	1	CAMERA D'ARIA	INNER TUBE	CHAMBRE A AIRE	REIFENSCHLAUCH
55	12520010/0	4	ROSETTA	WASHER	RONDELLE	SCHEIBE
56	25670005/1	2	RONDELLA	WASHER	RONDELLE	SCHEIBE
57	12001010/0	2	ANELLO	RING	ANNEAU	RING
58	12521410/0	2	RONDELLA	WASHER	RONDELLE	SCHEIBE
61	19700056/0	3	BUSSOLA	BUSH	DOUILLE	BUCHSE
62	19700050/0	1	PULEGGIA	PULLEY	POULIE	RIEMENSCHLEIBE
63	19700051/0	1	MADREVITE	NUT SCREW	ECROU	MUTTER
64	19700053/0	1	LEVA CON VITE	LEVER WITH SCREW	LEVIER AVEC VIS	HEBEL MIT SCHRAUBE
65	19700052/0	2	PASTIGLIA	PAD	PLAQUETTE	BREMSBELÄGE
66	19700048/0	1	MOLLA	SPRING	RESSORT	FEDER
67	19700054/0	1	DISCO FRENO	BRAKE DISC	DISQUE FREIN	BREMSSCHLEIBE
68	19700049/0	1	PIGNONE	PINION	PIGNON	RITZEL
69	19700055/0	1	RUOTA DENTATA	SPROCKET	COURONNE	ZAHNKETTENRAD
70	19700047/0	1	CATENA	CHAIN	CHAÎNE	KETTE
71	18400972/0	1	CAMBIO (con 62, 68, 73)	GEAR BOX (with 62, 68, 73)	BOÎTE DE VITESSE (avec 62, 68, 73)	GETRIEBE (mit 62, 68, 73)
72	18400971/0	1	DIFFERENZIALE (con 67, 69)	DIFFERENTIAL (with 67, 69)	DIFFERENTIEL (avec 67, 69)	DIFFERENTIAL (mit 67, 69)
73	27315105/0	1	LEVA	GEARSHIFT	LEVIER	HEBEL
74	12791011/0	1	VITE	SCREW	VIS	SCHRAUBE
75	12540040/0	1	ROSETTA	WASHER	RONDELLE	SCHEIBE
76	22680009/0	1	RONDELLA	WASHER	RONDELLE	SCHEIBE
81	27753079/0	1	SQUADRETTA	ANGLE BRACKET	EQUERRE	WINKEL
82	12791200/0	2	VITE	SCREW	VIS	SCHRAUBE
83	12523040/0	2	RONDELLA	WASHER	RONDELLE	SCHEIBE
84	12292102/0	2	DADO	NUT	ECROU	MUTTER
85	27772145/0	1	STAFFA	CLAMP	ETRIER	BRIDE
86	22524970/2	1	PERNO	PIN	PIVOT	BOLZEN
87	25670011/0	1	RONDELLA	WASHER	RONDELLE	SCHEIBE
88	12154210/0	1	DADO	NUT	ECROU	MUTTER
89	27034076/0	1	ASTA	ROD	TIGE	STANGE



EDIPROM
0146.07

N.	CODE	Q.TY	DESCRIZIONE	DESCRIPTION	DESCRIPTION	BESCHREIBUNG
1	84001017/0	1	ASSE SOLLEVAMENTO POST.	AXLE	AXE	ACHSE
2	27546015/1	1	PIASTRINA	PLATE	PLAQUE	PLATTE
3	25547037/0	1	PIASTRINA	PLATE	PLAQUE	PLATTE
4	12729601/0	4	VITE	SCREW	VIS	SCHRAUBE
5	27430568/0	1	MOLLA	SPRING	RESSORT	FEDER
6	84317075/0	1	LEVA	GEARSHIFT	LEVIER	HEBEL
7	25394510/0	1	MANOPOLA	KNOB	POIGNEE	KNOPF
8	12674700/0	1	VITE	SCREW	VIS	SCHRAUBE
9	12154510/0	1	DADO	NUT	ECROU	MUTTER
10	27430574/0	1	MOLLA	SPRING	RESSORT	FEDER
11	12731600/0	1	VITE	SCREW	VIS	SCHRAUBE
12	84002073/0	1	ASTA POSTERIORE	ROD	BARRE	STANGE
13	25510056/0	1	PERNO	PIN	PIVOT	BOLZEN
14	12295200/0	1	DADO	NUT	ECROU	MUTTER
15	12156602/0	1	DADO	NUT	ECROU	MUTTER
16	25670008/1	4	RONDELLA	WASHER	RONDELLE	SCHEIBE
17	12156602/0	1	DADO	NUT	ECROU	MUTTER
18	24487997/0	1	COPPIGLIA	COTTER PIN	GOUPILLE	SPLIT
19	84001019/0	1	ASSE SOLLEVAMENTO ANT.	AXLE	AXE	ACHSE
20	27546015/1	2	PIASTRINA	PLATE	PLAQUE	PLATTE
21	12731350/0	4	VITE	SCREW	VIS	SCHRAUBE
22	25670008/1	2	RONDELLA	WASHER	RONDELLE	SCHEIBE
23	24487997/0	1	COPPIGLIA	COTTER PIN	GOUPILLE	SPLIT
24	25510007/1	1	PERNO	PIN	PIVOT	BOLZEN
25	12156602/0	1	DADO	NUT	ECROU	MUTTER
26	12295200/0	1	DADO	NUT	ECROU	MUTTER
27	12794970/0	1	VITE	SCREW	VIS	SCHRAUBE
28	12521360/0	2	RONDELLA	WASHER	RONDELLE	SCHEIBE
29	12154250/0	1	DADO	NUT	ECROU	MUTTER
30	25670008/1	2	RONDELLA	WASHER	RONDELLE	SCHEIBE
31	12156602/0	1	DADO	NUT	ECROU	MUTTER



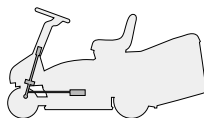
**EL63 •**

2003

007.0

2 / 2

N.	CODE	Q.TY	DESCRIZIONE	DESCRIPTION	DESCRIPTION	BESCHREIBUNG
32	27034065/0	1	ASTA	ROD	BARRE	STANGE
33	25510040/1	1	PERNO	PIN	PIVOT	BOLZEN
34	12293200/0	1	DADO	NUT	ECROU	MUTTER
35	12155000/0	1	DADO	NUT	ECROU	MUTTER
36	25670011/0	3	RONDELLA	WASHER	RONDELLE	SCHEIBE
37	12155000/0	1	DADO	NUT	ECROU	MUTTER
38	24487997/0	1	COPPIGLIA	COTTER PIN	GOUPILLE	SPLIT

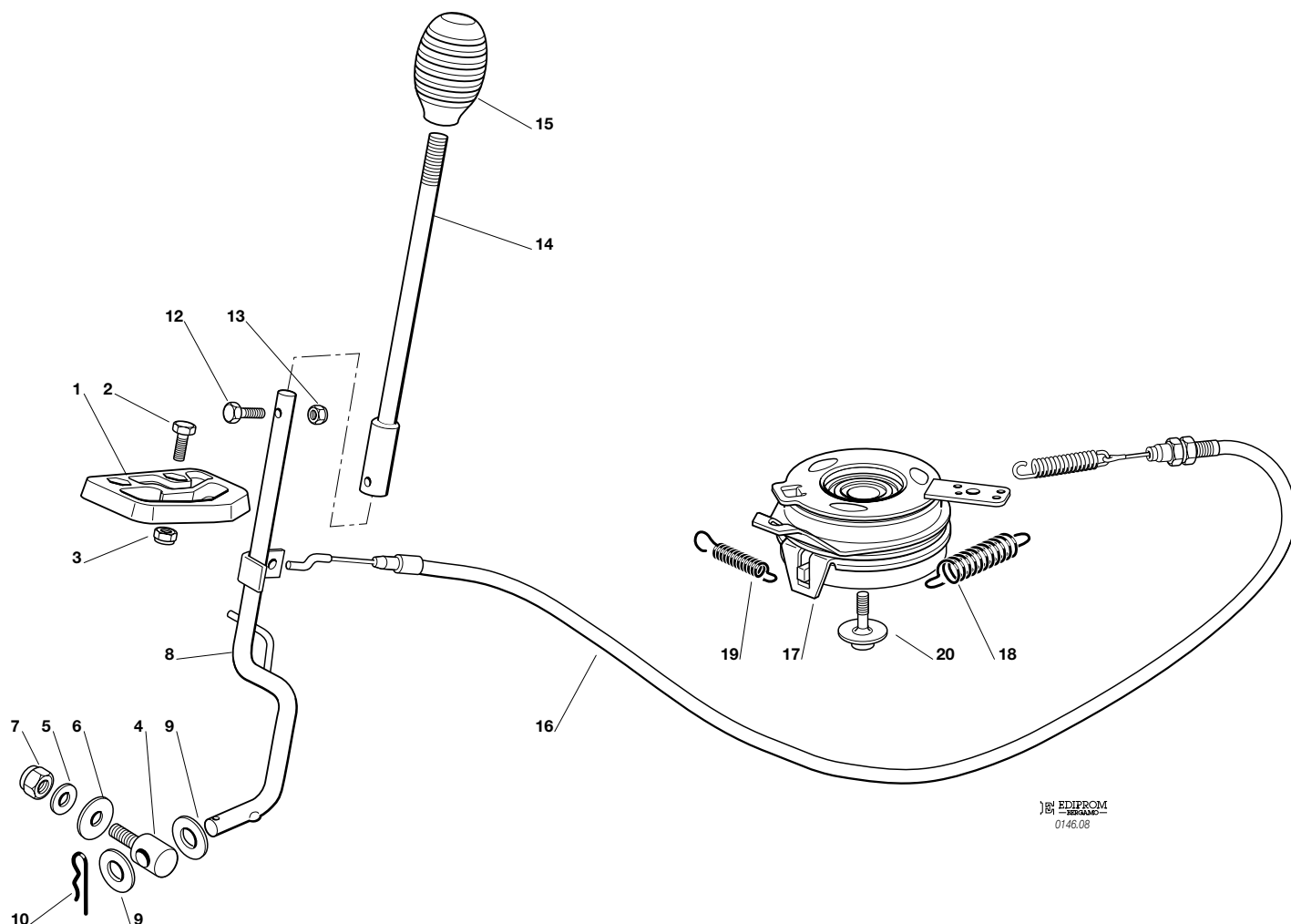
EL63

PIATTO DI TAGLIO (1)
CUTTING PLATE (1)
PLATEAU DE COUPE (1)
SCHNEIDWERKZEUG (1)

2003

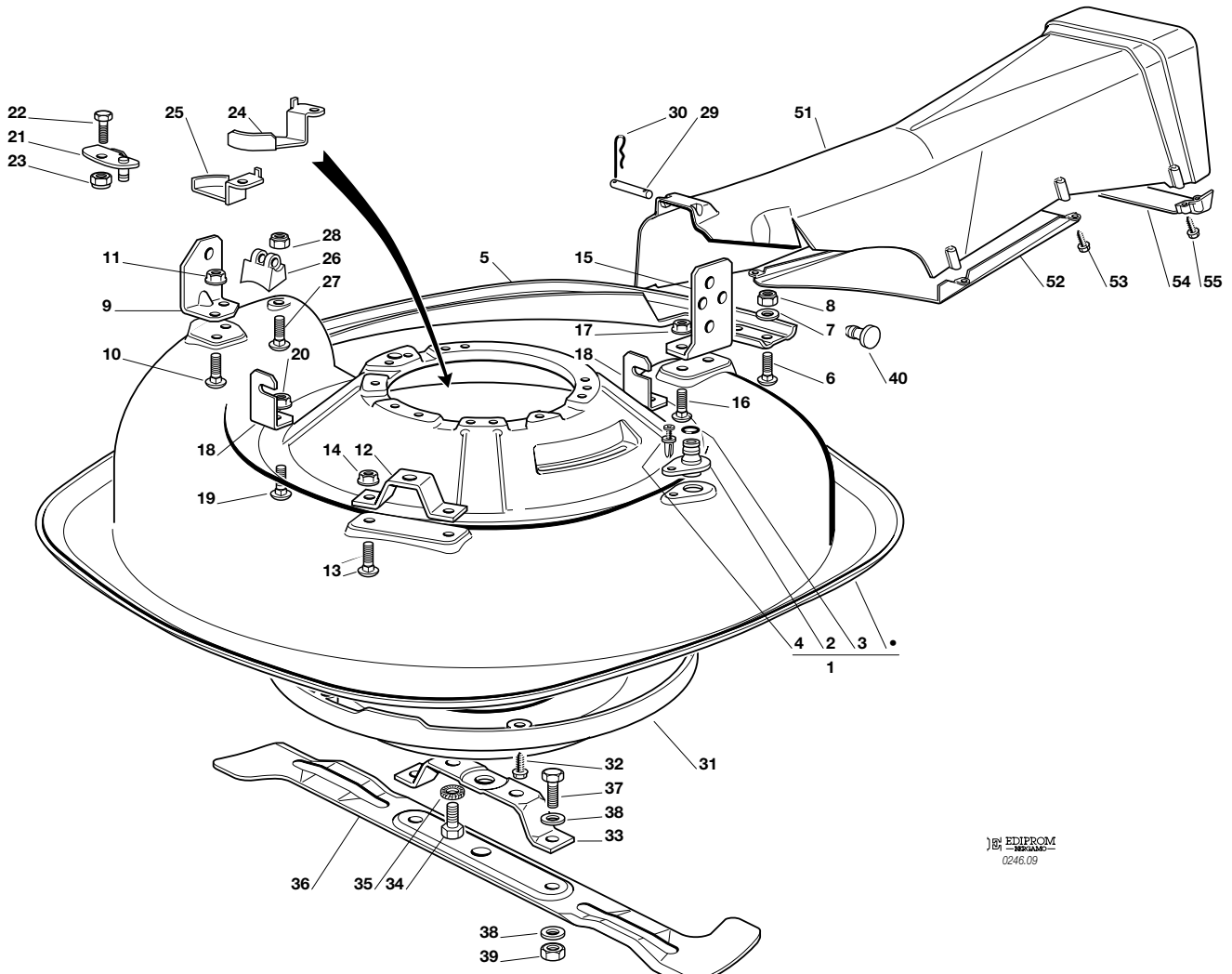
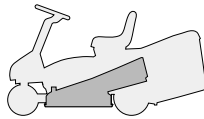
008.0

1 / 1



EDIPROM
 0146.08

N.	CODE	Q.TY	DESCRIZIONE	DESCRIPTION	DESCRIPTION	BESCHREIBUNG
1	27487001/0	1	PATTINO	SHOE	BLOC DE GLISSEMENT	GLEITBLOCK
2	12791200/0	2	VITE	SCREW	VIS	SCHRAUBE
3	12154510/0	2	DADO	NUT	ECROU	MUTTER
4	27510107/0	1	PERNO	PIN	PIVOT	BOLZEN
5	25670011/0	1	RONDELLA	WASHER	RONDELLE	SCHEIBE
6	22672152/0	1	RONDELLA	WASHER	RONDELLE	SCHEIBE
7	12155000/0	1	DADO	NUT	ECROU	MUTTER
8	84317073/0	1	LEVA	GEARSHIFT	LEVIER	HEBEL
9	21660100/0	2	RALLA	THURST WASHER	BUTEE	SCHEIBE
10	24487998/0	1	COPPIGLIA	COTTER PIN	GOUPILLE	SPLIT
11	12789020/0	1	VITE	SCREW	VIS	SCHRAUBE
12	12154330/0	1	DADO	NUT	ECROU	MUTTER
13	84317079/0	1	LEVA	GEARSHIFT	LEVIER	HEBEL
14	25394510/0	1	MANOPOLA	KNOB	POIGNEE	KNOPF
15	84207104/1	1	FILO	CABLE	FIL	KABEL
16	18399065/0	1	FRIZIONE MECCANICA	MECHANICAL CLUTCH	EMBAYAGE MECANIQUE	MECHANISCHE KUPPLUNG
17	27430579/0	1	MOLLA	SPRING	RESSORT	FEDER
18	22450110/0	1	MOLLA	SPRING	RESSORT	FEDER
19	12735460/0	1	VITE	SCREW	VIS	SCHRAUBE



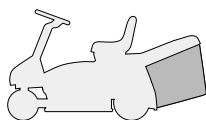
EDIPROM
 0248.09

N.	CODE	Q.TY	DESCRIZIONE	DESCRIPTION	DESCRIPTION	BESCHREIBUNG
1	84564095/0	1	PIATTO DI TAGLIO	CUTTING PLATE	PLATEAU DE COUPE	SCHNEIDWERKZEUG
2	25033060/0	1	ATTACCO ACQUA	WATER HOSE CONNECTION	RACCORD TUYAU D'EAU	WASSERANSCHLUSS
3	19035000/0	1	ANELLO OR	O RING	RACCORD TUYAU D'EAU	O RING
4	12500030/0	1	RIVETTO	RIVET	RIVET	NIET
5	84650103/0	1	RINFORZO	STIFFENING	RENFORCEMENT	VERSTAERKUNG
6	12815200/0	4	VITE	SCREW	VIS	SCHRAUBE
7	12521330/0	4	ROSETTA	WASHER	RONDELLE	SCHEIBE
8	12154510/0	4	DADO	NUT	ECROU	MUTTER
9	27772119/0	1	STAFFA	CLAMP	ETRIER	BRIDE
10	12818690/0	2	VITE	SCREW	VIS	SCHRAUBE
11	12293201/0	2	DADO	NUT	ECROU	MUTTER
12	27772133/0	1	STAFFA	CLAMP	ETRIER	BRIDE
13	12818690/0	2	VITE	SCREW	VIS	SCHRAUBE
14	12293201/0	2	DADO	NUT	ECROU	MUTTER
15	27772127/1	1	STAFFA	CLAMP	ETRIER	BRIDE
16	12818690/0	2	VITE	SCREW	VIS	SCHRAUBE
11	12293201/0	2	VITE	SCREW	VIS	SCHRAUBE
17	12293201/0	2	DADO	NUT	ECROU	MUTTER
18	27753071/0	2	SQUADRETTA	ANGLE BRACKET	EQUERRE	WINKEL
19	12818690/0	2	VITE	SCREW	VIS	SCHRAUBE
20	12293201/0	2	DADO	NUT	ECROU	MUTTER
21	84545063/0	1	PIASTRINA	PLATE	PLAQUE	PLATTE
22	12792611/0	1	VITE	SCREW	VIS	SCHRAUBE
23	12155000/0	1	DADO	NUT	ECROU	MUTTER
24	27546041/0	1	PIASTRINA	PLATE	PLAQUE	PLATTE
25	27546043/0	1	PIASTRINA	PLATE	PLAQUE	PLATTE
26	27230200/1	1	GANCIO	HOOK	ACCROCHAGE	HAKEN
27	12815210/0	1	VITE	SCREW	VIS	SCHRAUBE
28	12154510/0	1	DADO	NUT	ECROU	MUTTER
29	27510097/1	1	PERNO	PIN	PIVOT	BOLZEN
30	24487997/0	2	COPPIGLIA	COTTER PIN	GOUPILLE	SPLIT





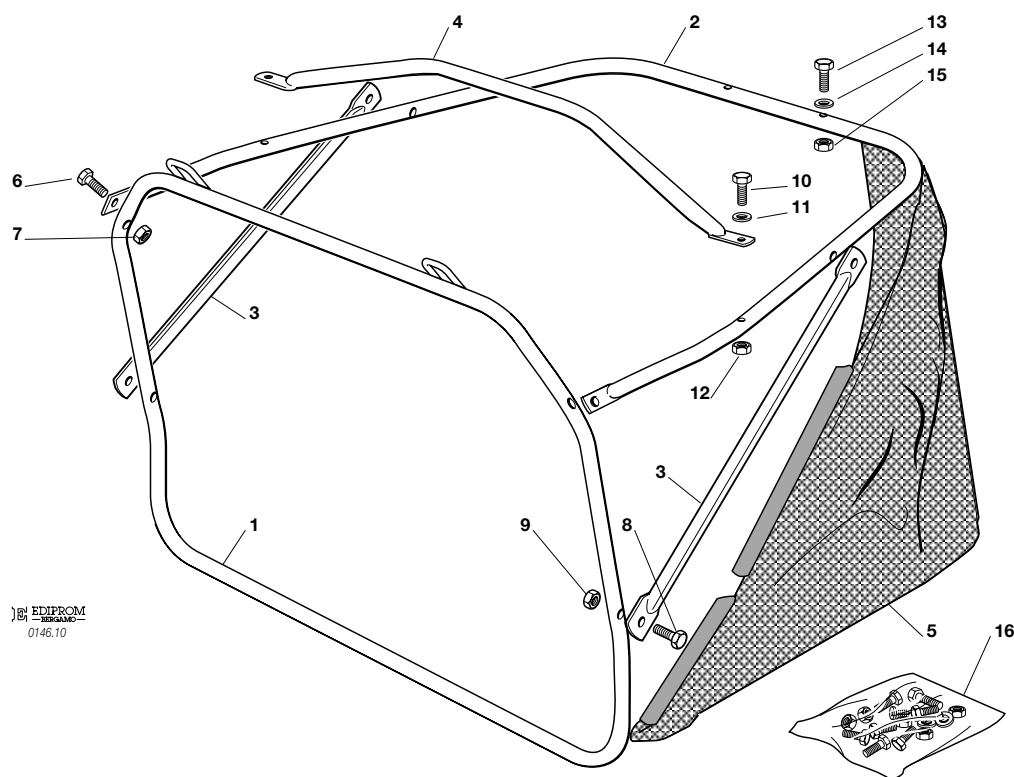
N.	CODE	Q.TY	DESCRIZIONE	DESCRIPTION	DESCRIPTION	BESCHREIBUNG
31	27600122/0	1	PROTEZIONE	GUARD	PROTECTION	SCHUTZ
32	12728530/0	5	VITE	SCREW	VIS	SCHRAUBE
33	27787045/1	1	SUPPORTO COLTELLO	BRACKET	SUPPORT	HALTER
34	12794110/0	2	VITE	SCREW	VIS	SCHRAUBE
35	12540070/0	2	ROSETTA	WASHER	RONDELLE	SCHEIBE
36	84109501/0	1	COLTELLO	BLADE	LAME	MESSER
37	12793102/0	2	VITE	SCREW	VIS	SCHRAUBE
38	12523060/0	4	RONDELLA	WASHER	RONDELLE	SCHEIBE
39	12155010/0	2	DADO	NUT	ECROU	MUTTER
40	27275000/0	1	GOMMINO	GROMMET	CAOUTCHOUC	GUMMI
51	27107502/0	1	CONVOGLIATORE	CONVEYOR	CONVOYEUR	BLECHSATZ
52	27140053/0	1	DEFLETTORE	DEFLECTOR	DEFLECTEUR	ABWEISER
53	12735402/0	6	VITE	SCREW	VIS	SCHRAUBE
54	27650120/0	1	RINFORZO	STIFFENING	RENFORCEMENT	VERSTAERKUNG
55	12735410/0	2	VITE	SCREW	VIS	SCHRAUBE

EL63
**SACCO
GRASSCATCHER
BAC
AUFFANGSACK**

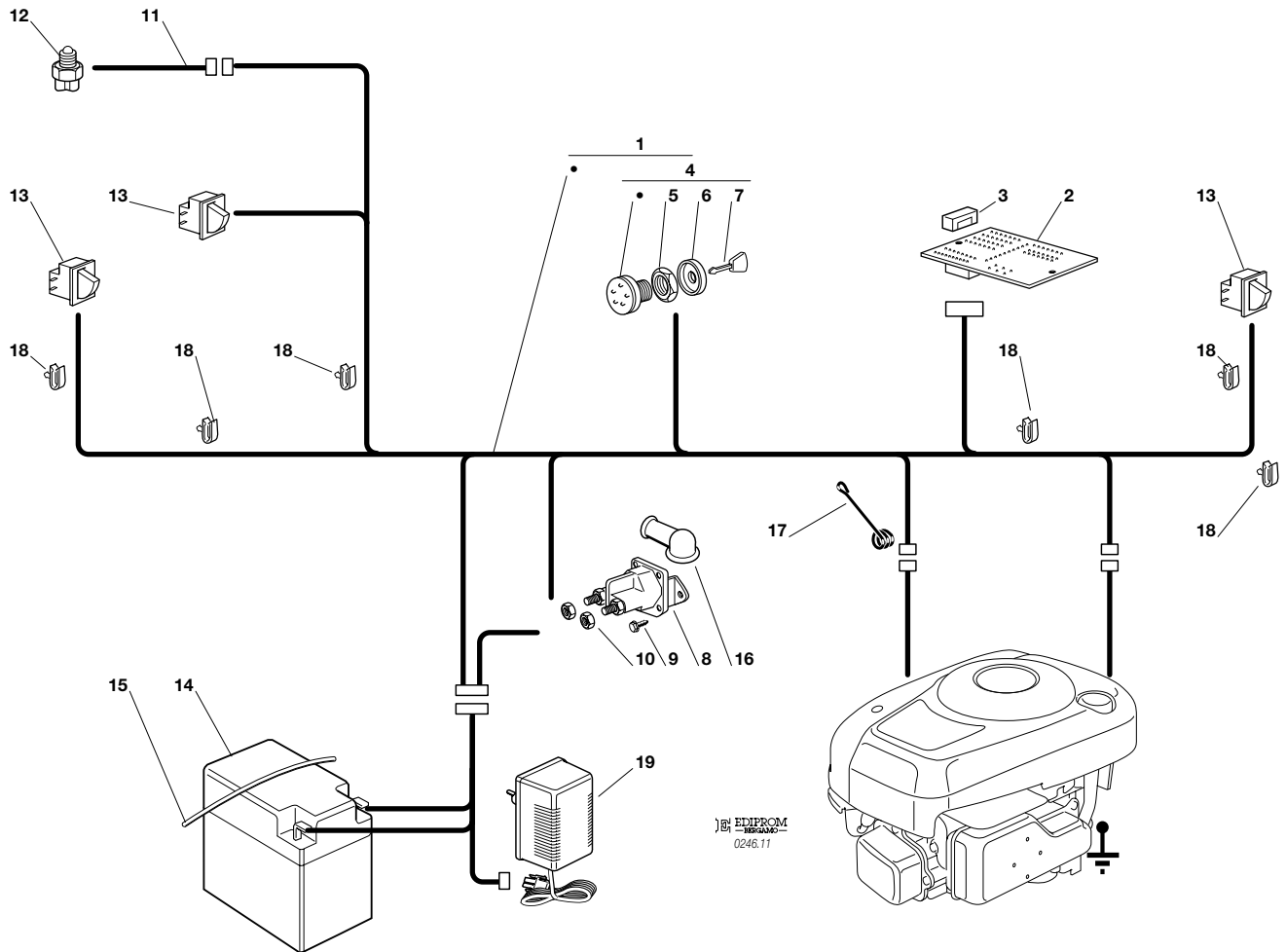
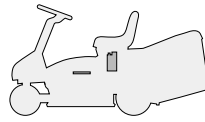
2003

010.0

1 / 1

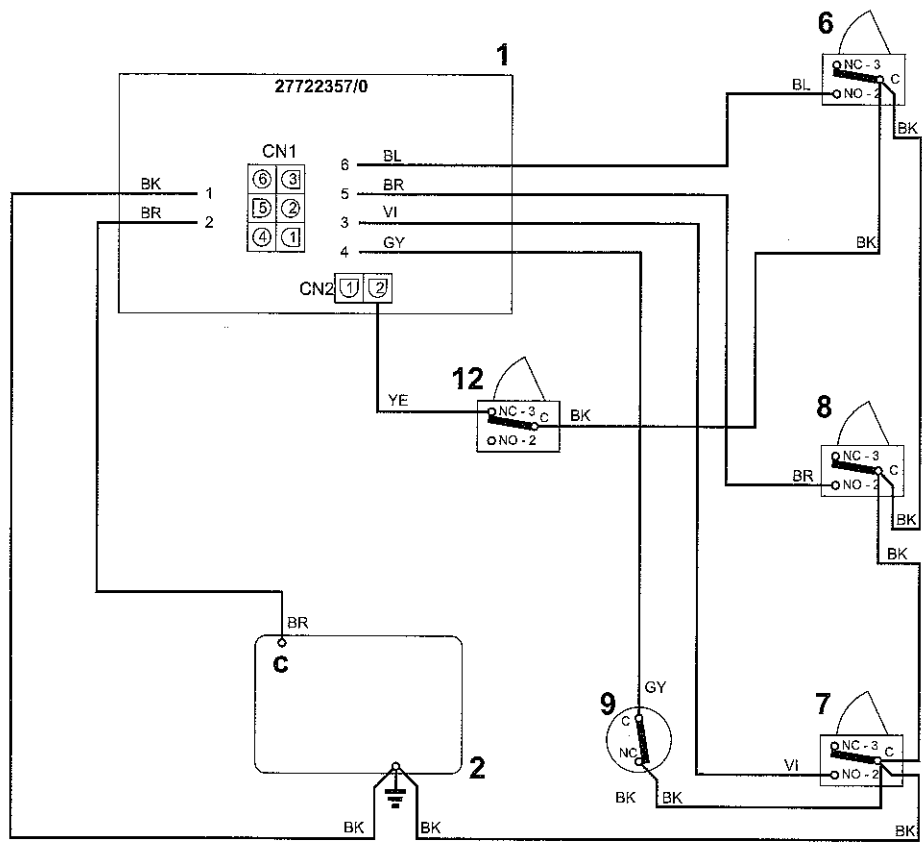

 EDIPROM
 0146.10

N.	CODE	Q.TY	DESCRIZIONE	DESCRIPTION	DESCRIPTION	BESCHREIBUNG
1	84801121/0	1	TELAIO ANTERIORE	FRONT FRAME	CHASSIS ANTERIEUR	VORDERRAHMEN
2	84801119/0	1	TELAIO SUPERIORE	UPPER FRAME	CHASSIS SUPERIEUR	OBERERRAHMEN
3	27650117/0	2	RINFORZO	STIFFENING	RENFORCEMENT	VERSTAERKUNG
4	84394051/0	1	MANIGLIA	HANDLE	POIGNEE	GRIFF
5	84106055/0	1	CONFEZIONE SACCO	GRASSCATCHER	BAC	SACK
6	12789020/0	2	VITE	SCREW	VIS	SCHRAUBE
7	12154330/0	2	DADO	NUT	ECROU	MUTTER
8	12789020/0	4	VITE	SCREW	VIS	SCHRAUBE
9	12154330/0	4	DADO	NUT	ECROU	MUTTER
10	12789210/0	2	VITE	SCREW	VIS	SCHRAUBE
11	12521331/0	2	ROSETTA	WASHER	RONDELLE	SCHEIBE
12	12154330/0	2	DADO	NUT	ECROU	MUTTER
13	12674530/0	2	VITE	SCREW	VIS	SCHRAUBE
14	12521331/0	2	ROSETTA	WASHER	RONDELLE	SCHEIBE
15	12154330/0	2	DADO	NUT	ECROU	MUTTER
16	84180186/0	1	DOTAZIONE VITERIA (6÷15)	SCREWS OUTFIT (6÷15)	ENSEMBLE DES VIS (6÷15)	SCHRAUBENAUSRÜSTUNG (6÷15)



EDIPROM
0246.11

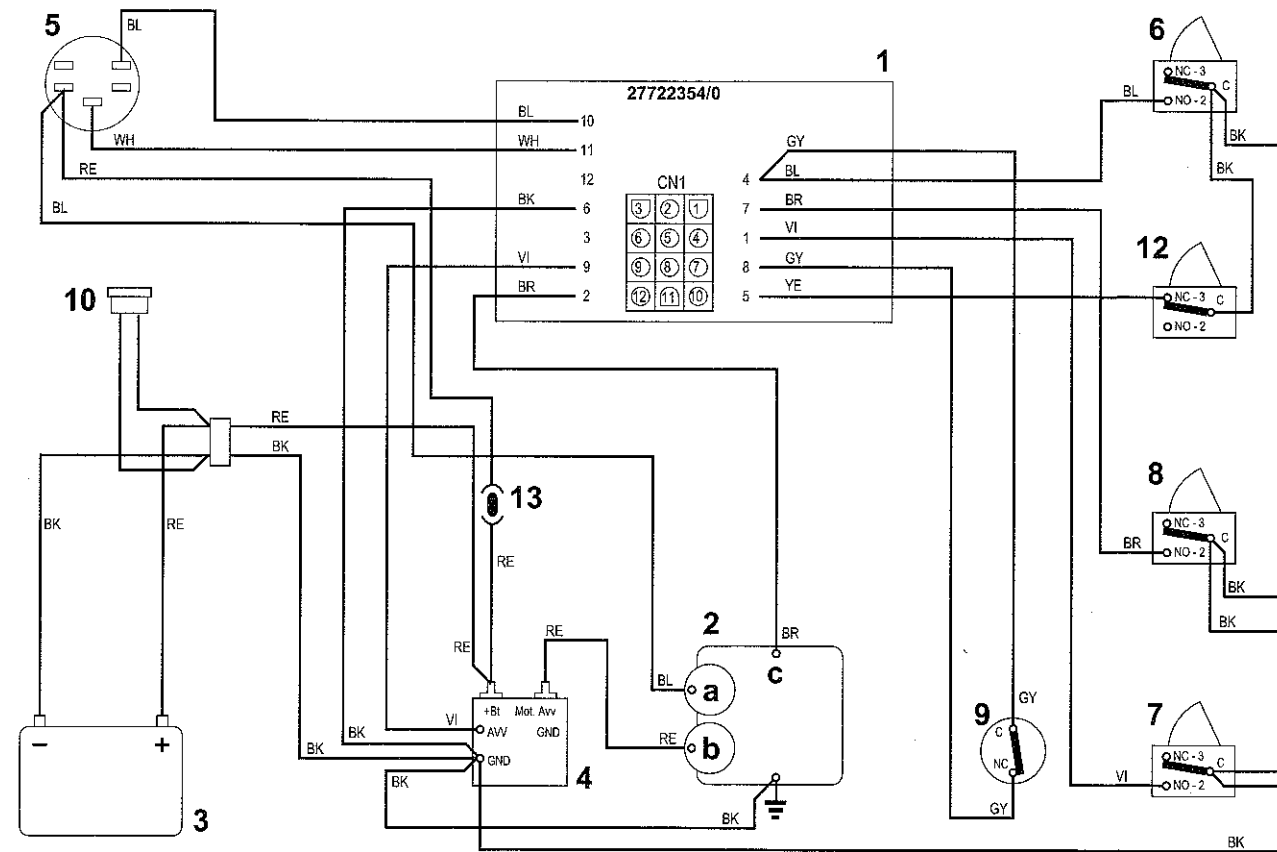
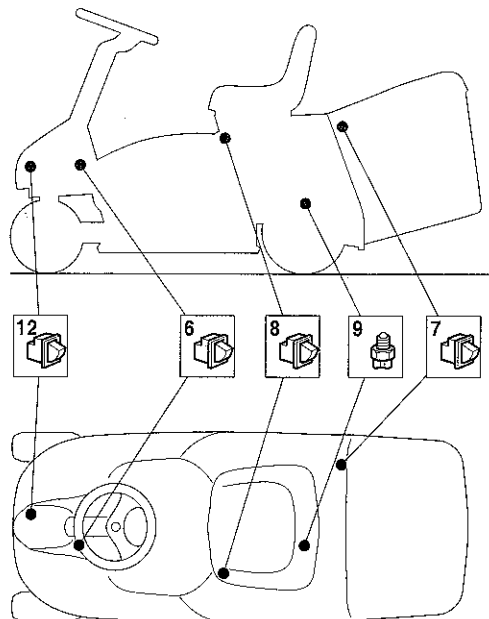
N.	CODE	Q.TY	DESCRIZIONE	DESCRIPTION	DESCRIPTION	BESCHREIBUNG
1	84040116/0	1	CABLAGGIO	CABLES	CABLAGES	KABELSATZ
2	27722352/0	1	SCHEDA ELETTRONICA	ELECTRONIC CARD	CARTE ELECTRONIQUE	ELEKTRONISCHE KARTE
3	33340033/0	1	FUSIBILE	FUSE	FUSIBLE	SICHERUNG
4	18450065/1	1	INTERRUTTORE AVVIAMENTO	STARTING SWITCH	INTERRUPTEUR DEMARRAGE	SCHALTER
5	18400861/0	1	GHIERA	SCREWED RING	EMBOUT	NUTMUTTER
6	18565351/0	1	PROTEZIONE GHIERA	SCREWED RING PROTECTION	PROTECTION EMBOUT	NUTMUTTER SCHUTZ
7	18210016/0	1	CHIAVE AVVIAMENTO	STARTING KEY	CLEF A DEMARRAGE	SCHLÜSSEL FÜR START
8	18736111/0	1	RELÈ AVVIAMENTO	STARTER RELAY	RELAIS D'ALLUMAGE	ANLASSRELAIS
9	12791213/0	2	VITE	SCREW	VIS	SCHRAUBE
10	12292102/0	2	DADO	NUT	ECROU	MUTTER
11	27065060/0	1	CAVO	CABLE	CABLES	KABEL
12	19700046/0	1	INTERRUTTORE CAMBIO	GEARBOX SWITCH	INT. BOÎTE DE VITESSE	ANTRIEB SCHALTER
13	19410606/0	3	MICRO INTERRUTTORE	MICROSWITCH	MICROINTERRUPTEUR	MIKROSCHALTER
14	18120004/0	1	BATTERIA	BATTERY	BATTERIE	BATTERIE
15	27430572/0	1	MOLLA	SPRING	RESSORT	FEDER
16	18564861/1	1	CAPPUCCIO	PROTECTION	CAPUCHON	STECKER
17	25430239/1	1	MOLLA	SPRING	RESSORT	FEDER
18	33320506/0	6	FERMACAVO	FAIRLEAD	FIXATION CABLE	KABELBEFESTIGUNG
19	82180051/0	1	CARICA BATTERIE	BATTERY CHARGER	CHARGEUR DE BATTERIES	BATTERIELADEGERÄT



- 1 Electronic card
- 2 Engine
- 2a Generator
- 2c Engine Stop
- 6 Blade microswitch
- 7 Grass-catcher microswitch
- 8 Seat microswitch
- 9 Neutral microswitch
- 10 Recharge connector
- 12 Brake microswitch

CABLE COLOURS

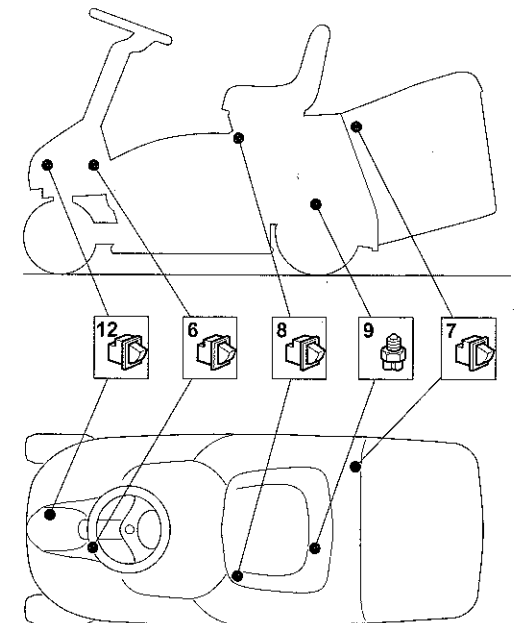
- BK Black
- BL Blue
- BR Brown
- GY Grey
- OR Orange
- VI Violet
- YE Yellow

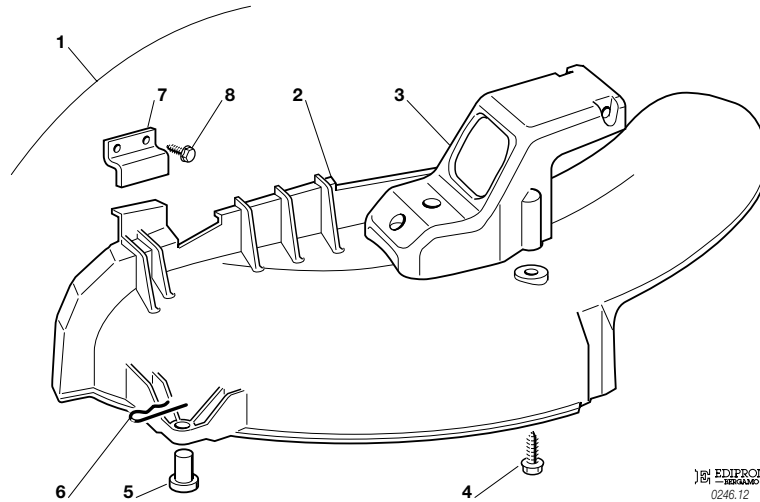
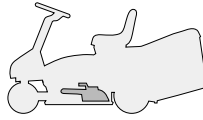


- 1 Electronic card
- 2 Engine
- 2a Generator
- 2b Starter
- 2c Engine Stop
- 3 Battery
- 4 Starter relay
- 5 Key ignition switch
- 6 Blade microswitch
- 7 Grass-catcher microswitch
- 8 Seat microswitch
- 9 Neutral microswitch
- 10 Recharge connector
- 12 Brake microswitch
- 13 Fuse 10A

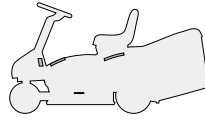
CABLE COLOURS

- BK Black
- BL Blue
- BR Brown
- GY Grey
- OR Orange
- RE Red
- VI Violet
- WH White
- YE Yellow





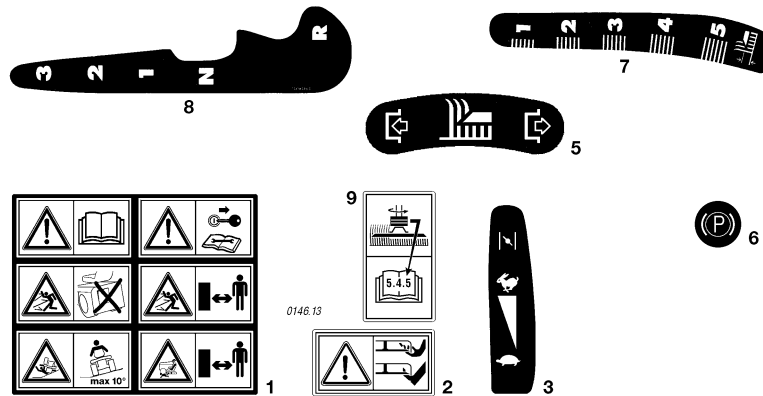
N.	CODE	Q.TY	DESCRIZIONE	DESCRIPTION	DESCRIPTION	BESCHREIBUNG
1	99900035/0	1	KIT PER MULCHING	MULCHING KIT	KIT POUR MULCHING	VORRICHTUNG FÜR MULCHING
2	27140052/0	1	DEFLETTORE	DEFLECTOR	DEFLECTEUR	ABWEISER
3	27230201/0	1	FULCRO	FULCRUM	POINT D'APPUI	DREHPUNKT
4	12735410/0	3	VITE	SCREW	VIS	SCHRAUBE
5	25510022/0	1	PERNO	PIN	PIVOT	BOLZEN
6	24487998/0	1	COPPIGLIA	COTTER PIN	GOUPILLE	SPLIT
7	27772139/0	1	STAFFA	CLAMP	ETRIER	BRIDE
8	12735110/0	2	VITE	SCREW	VIS	SCHRAUBE

EL63
**ETICHETTE
LABELS
ETIQUETTES
KLEBZETTEL**

2003

013.0

1 / 1



N.	CODE	Q.TY	DESCRIZIONE	DESCRIPTION	DESCRIPTION	BESCHREIBUNG
1	14357428/0	1	ETICHETTA	LABEL	ETIQUETTE	KLEBZETTEL
2	14356699/0	1	ETICHETTA	LABEL	ETIQUETTE	KLEBZETTEL
3	14358415/0	1	ETICHETTA (EL63)	LABEL (EL63)	ETIQUETTE (EL63)	KLEBZETTEL (EL63)
4	14358717/0	1	ETICHETTA (EL63 M)	LABEL (EL63 M)	ETIQUETTE (EL63 M)	KLEBZETTEL (EL63 M)
5	14358418/0	1	ETICHETTA	LABEL	ETIQUETTE	KLEBZETTEL
6	14358460/0	1	ETICHETTA	LABEL	ETIQUETTE	KLEBZETTEL
7	14358417/0	1	ETICHETTA	LABEL	ETIQUETTE	KLEBZETTEL
8	14358416/0	1	ETICHETTA	LABEL	ETIQUETTE	KLEBZETTEL
9	14358654/0	1	ETICHETTA	LABEL	ETIQUETTE	KLEBZETTEL