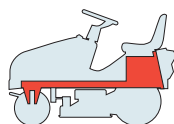


J JP JT JR JTP JB JX JS

98 S

98 S hydro

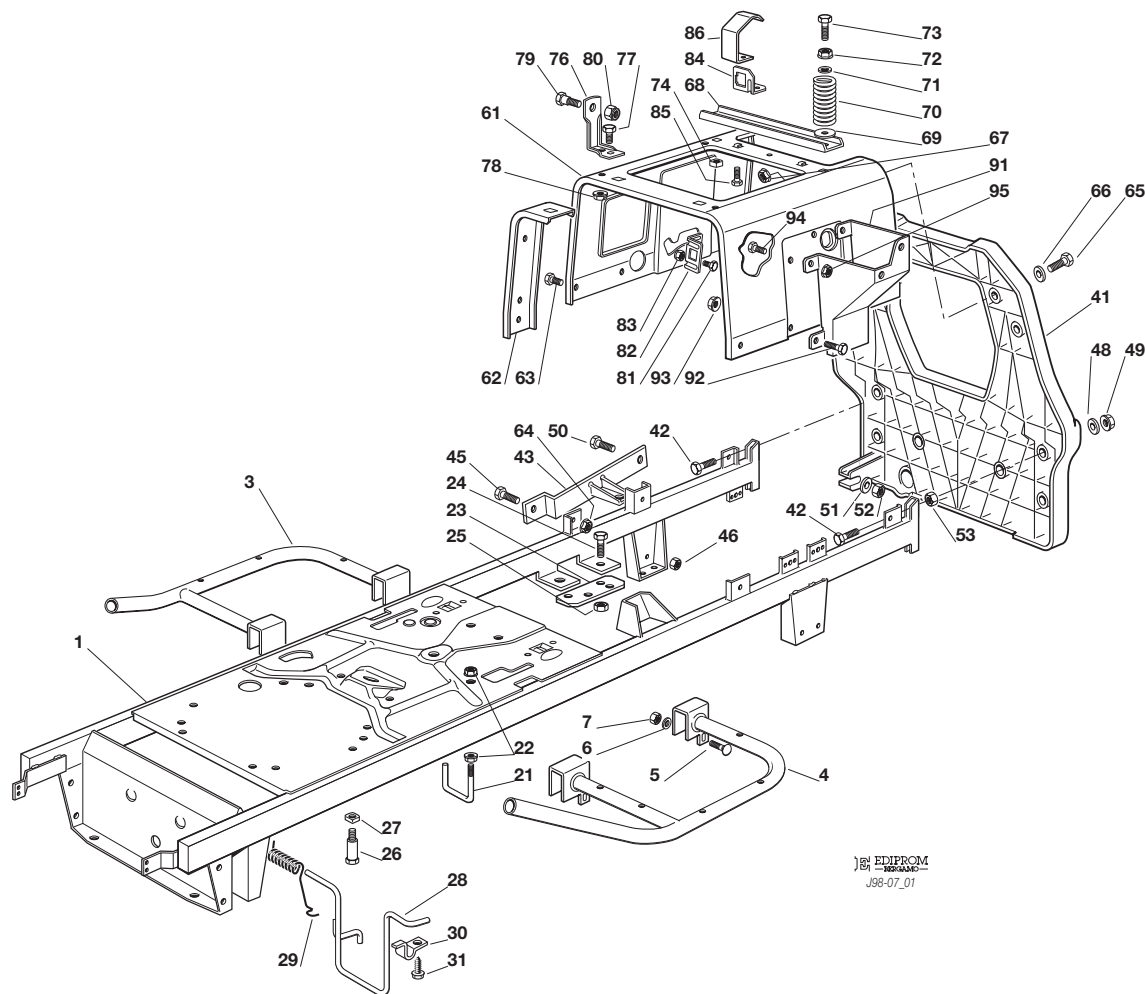


TELAIO
CHASSIS
CHASSIS
RAHMENSATZ

2007

501.0

1 / 2



N.	CODE	Q.TY	DESCRIZIONE	DESCRIPTION	DESCRIPTION	BESCHREIBUNG
1	82800083/1	1	TELAIO	CHASSIS	CHASSIS	RAHMENSATZ
3	82800019/0	1	SUPPORTO PEDANA DESTRA	RIGHT FOOTBOARD SUPPORT	MARCHEPIED DROITE SUPPORT	RECHTE FUSSBRETTHALTER
4	82800021/0	1	SUPPORTO PEDANA SINISTRA	LEFT FOOTBOARD SUPPORT	SUPPORT MARCHEPIED GAUCHE	LINKE FUSSBRETTHALTER
5	12815240/0	4	VITE	SCREW	VIS	SCHRAUBE
6	12523040/0	4	ROSETTA	WASHER	RONDELLE	SCHEIBE
7	12154510/0	4	DADO	NUT	ECROU	MUTTER
21	25580019/0	1	PIOLO GUIDACINGHIA (hydro)	BELT GUIDE (hydro)	GUIDE DE COURROIRE (hydro)	RIEMENFÜHRUNG (hydro)
22	12292102/0	2	DADO (hydro)	NUT (hydro)	ECROU (hydro)	MUTTER (hydro)
23	25547101/0	2	PIASTRINA (hydro)	PLATE (hydro)	PLAQUETTE (hydro)	PLATTE (hydro)
24	12793102/0	2	VITE (hydro)	SCREW (hydro)	VIS (hydro)	SCHRAUBE (hydro)
25	12155000/0	2	DADO (hydro)	NUT (hydro)	ECROU (hydro)	MUTTER (hydro)
26	25580023/0	2	PIOLO GUIDACINGHIA (mecc.)	BELT GUIDE (mecc.)	GUIDE DE COURROIRE (mec.)	RIEMENFÜHRUNG (mecc.)
27	12360425/0	2	DADO (mecc.)	NUT (mecc.)	ECROU (mec.)	MUTTER (mecc.)
28	25270315/0	1	GUIDACINGHIA	BELT GUIDE	GUIDE DE COURROIRE	RIEMENFÜHRUNG
29	25430244/1	1	MOLLA	SPRING	RESSORT	FEDER
30	25774299/0	2	PIASTRINA	PLATE	PLAQUETTE	PLATTE
31	12734995/0	2	VITE	SCREW	VIS	SCHRAUBE
41	25547106/0	1	PIASTRA	PLATE	PLAQUE	PLATTE
42	12793301/0	2	VITE	SCREW	VIS	SCHRAUBE
43	82650203/0	1	RINFORZO DESTRO	PLATE STIFFENING, RIGHT	RENFORCEMENT PLAQUE,	RECHTE PLATTE
45	12792611/0	1	VITE	SCREW	VIS	SCHRAUBE
46	12293201/0	1	DADO	NUT	ECROU	MUTTER
48	12523060/0	2	RONDELLA	WASHER	RONDELLE	SCHEIBE
49	12155000/0	2	DADO	NUT	ECROU	MUTTER





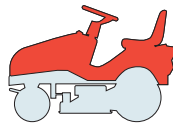
N.	CODE	Q.TY	DESCRIZIONE	DESCRIPTION	DESCRIPTION	BESCHREIBUNG
50	12691115/0	1	VITE	SCREW	VIS	SCHRAUBE
51	12521350/0	1	RONDELLA	WASHER	RONDELLE	SCHEIBE
52	12155000/0	1	DADO	NUT	ECROU	MUTTER
53	12293201/0	2	DADO	NUT	ECROU	MUTTER
61	25785119/1	1	SUPPORTO SEDILE	SEAT SUPPORT	SUPPORT SIEGE	SITZHALTER
62	25650055/0	2	RINFORZO	PLATE STIFFENING	RENFORCEMENT PLAQUE	PLATTEVERSTAERKUG
63	12790781/0	4	VITE	SCREW	VIS	SCHRAUBE
64	12292102/0	4	DADO	NUT	ECROU	MUTTER
65	12791213/1	4	VITE	SCREW	VIS	SCHRAUBE
66	12523040/0	4	RONDELLA	WASHER	RONDELLE	SCHEIBE
67	12154510/0	4	DADO	NUT	ECROU	MUTTER
68	25650056/0	1	RINFORZO	PLATE STIFFENING	RENFORCEMENT PLAQUE	PLATTEVERSTAERKUNG
69	12523060/0	2	RONDELLA	WASHER	RONDELLE	SCHEIBE
70	25430205/1	2	MOLLA	SPRING	RESSORT	FEDER
71	12521350/0	2	RONDELLA	WASHER	RONDELLE	SCHEIBE
72	12293201/0	2	DADO	NUT	ECROU	MUTTER
73	25943001/0	2	VITE	SCREW	VIS	SCHRAUBE
74	12360420/0	2	DADO	NUT	ECROU	MUTTER
76	25755008/0	2	SQUADRETTA	BRACKET	EQUERRE-SUPPORT	WINKEL
77	12792611/0	2	VITE	SCREW	VIS	SCHRAUBE
78	12293201/0	2	DADO	NUT	ECROU	MUTTER
79	22524970/2	2	PERNO	PIN	PIVOT	BOLZEN
80	12155010/0	2	DADO	NUT	ECROU	MUTTER
81	12789000/0	2	VITE	SCREW	VIS	SCHRAUBE
82	25755016/0	1	SQUADRETTA	BRACKET	EQUERRE-SUPPORT	WINKEL
83	12154330/0	2	DADO	NUT	ECROU	MUTTER
84	25755025/1	1	SQUADRETTA	BRACKET	EQUERRE-SUPPORT	WINKEL
85	12731580/0	2	VITE	SCREW	VIS	SCHRAUBE
86	25430255/0	1	MOLLA	SPRING	RESSORT	FEDER
91	25785057/0	1	SUPPORTO	SUPPORT	SUPPORT	HALTER
92	12790781/0	2	VITE	SCREW	VIS	SCHRAUBE
93	12292102/0	2	DADO	NUT	ECROU	MUTTER
94	12790781/0	2	VITE	SCREW	VIS	SCHRAUBE
95	12292102/0	2	DADO	NUT	ECROU	MUTTER



J JP JT JR JTP JB JX JS

98 S

98 S hydro

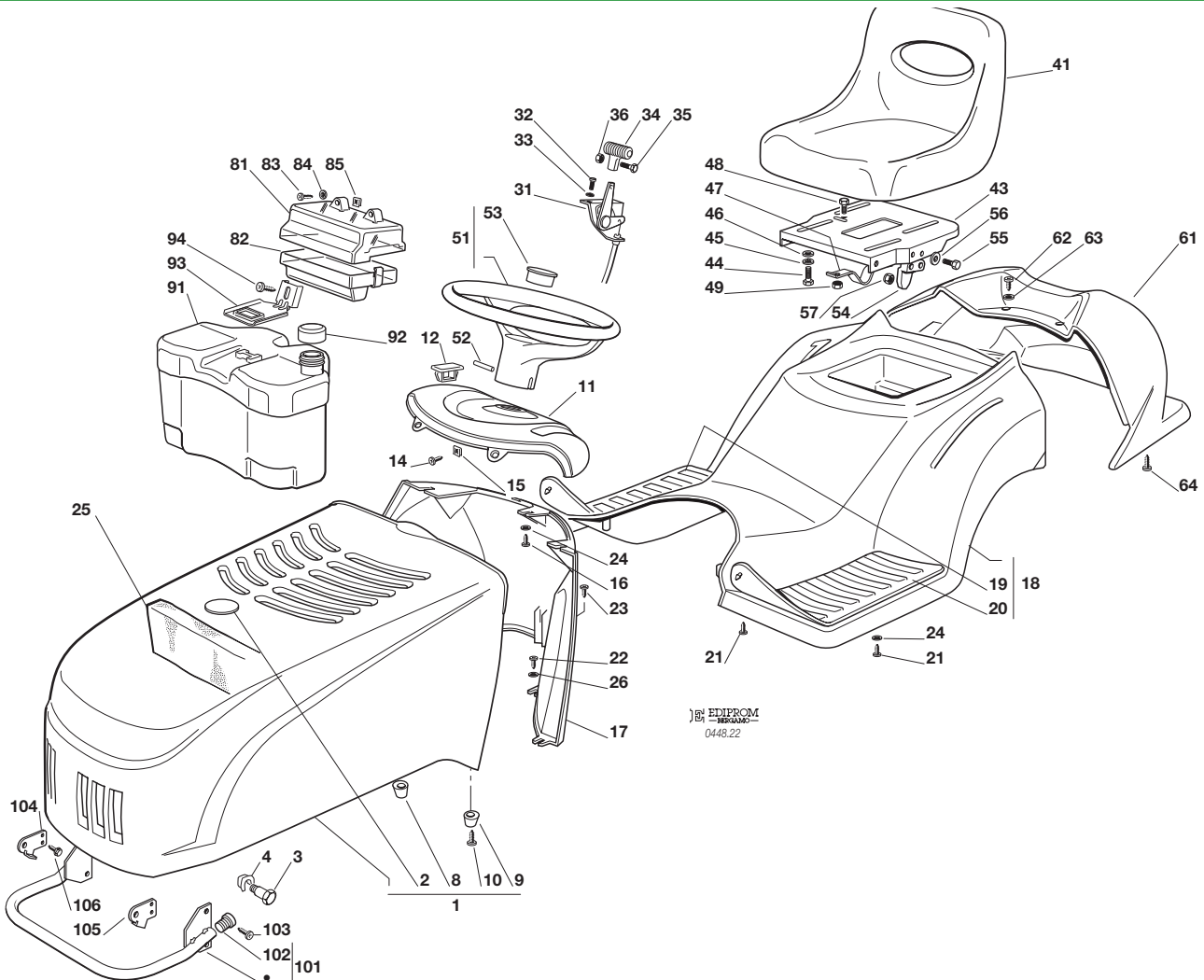


CARROZZERIA
BODY
CARROSSERIE
KARROSSERIE

2007

502.0

1 / 2



EDIPROM
0448.22

N.	CODE	Q.TY	DESCRIZIONE	DESCRIPTION	DESCRIPTION	BESCHREIBUNG
----	------	------	-------------	-------------	-------------	--------------

1	82076902/1 82076903/0 82076905/0	1	COFANO ROSSO VERDE BLU	ENGINE HOOD RED GREEN BLUE	CAPOT ROUGE VERT BLEU	HAUBESATZ ROT GRÜN BLAU
2	25547025/1 25547026/0 25547028/0	1	PIASTRINA ROSSA VERDE BLU	PLATE RED GREEN BLUE	PLAQUE ROUGE VERT BLEU	PLATTE ROT GRÜN BLAU
3	25510045/0	2	PERNO	PIN	PIVOT	BOLZEN
4	12436050/0	2	PIASTRINA	PLATE	PLAQUE	PLATTE
8	25580012/0	1	PIOLO DESTRO	RIGHT PIN	BONDON DROITE	RECHTE DÜBEL
9	25580013/0	1	PIOLO SINISTRO	LEFT PIN	BONDON GAUCHE	LINKE DÜBEL
10	12727356/0	2	VITE	SCREW	VIS	SCHRAUBE
11	25120164/1	1	CRUSCOTTO	DASHBOARD	TABLEAU COMMANDES	KONSOLE
12	25547054/1	1	PIASTRINA	PLATE	PLAQUE	PLATTE
14	12735110/0	2	VITE	SCREW	VIS	SCHRAUBE
15	12437502/0	2	PIASTRINA	PLATE	PLAQUE	PLATTE
16	12735402/0	3	VITE	SCREW	VIS	SCHRAUBE
17	25785035/3	1	SUPPORTO CRUSCOTTO	DASHBOARD SUPPORT	SUPPORT TABLEAU COMM.	KONSOLEHALTER
18	82110001/3 82110002/2 82110004/2	1	COPERTURA RUOTE ROSSO VERDE BLU	WHEELS COVER RED GREEN BLUE	COUVRE-ROUES ROUGE VERT BLEU	RADENKAPPE ROT GRÜN BLAU
18	82110007/3 82110008/2 82110010/2	1	COPERTURA RUOTE (hydro) ROSSO VERDE BLU	WHEELS COVER (hydro) RED GREEN BLUE	COUVRE-ROUES (hydro) ROUGE VERT BLEU	RADENKAPPE (hydro) ROT GRÜN BLAU
19	25110264/1	1	COPRIPEDANA DESTRA	RIGHT FOOTBOARDCOVER	COUVRE MARCHEPIED DRO.	RECHTE FUSSBRETTDECKEL
20	25110263/1	1	COPRIPEDANA SINISTRA	LEFT FOOTBOARD COVER	COUVRE MARCHEPIED GAU.	LINKE FUSSBRETTDECKEL
21	12735410/0	6	VITE	SCREW	VIS	SCHRAUBE





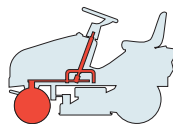
N.	CODE	Q.TY	DESCRIZIONE	DESCRIPTION	DESCRIPTION	BESCHREIBUNG
22	12735402/0	4	VITE	SCREW	VIS	SCHRAUBE
23	12728680/0	1	VITE	SCREW	VIS	SCHRAUBE
24	12523040/0	5	ROSETTA	WASHER	RONDELLE	SCHEIBE
25	25730005/1	1	SEPARATORE ASPIRAZ. (●)	INTAKE SEPARATOR (●)	SEPARATEUR ASPIRAT. (●)	AUGENABSCHIEDER (●)
26	12523050/0	4	ROSETTA	WASHER	RONDELLE	SCHEIBE
31	82000207/0	1	ACCELERATORE	ACCELERATOR	ACCELERATEUR	GAS ZUG
32	12788512/0	2	VITE	SCREW	VIS	SCHRAUBE
33	12581200/0	2	GROWER	GROWER	GROWER	GROWER
34	25394501/0	1	MANOPOLINA	HANDLE	POIGNE	GRIFF
35	12726388/0	1	VITE	SCREW	VIS	SCHRAUBE
36	12290800/0	1	DADO	NUT	ECROU	MUTTER
41	25722453/1	1	SEDILE	SEAT	SIEGE	SITZ
43	25547033/1	1	PIASTRA	PLATE	PLAQUE	PLATTE
44	12793101/0	4	VITE	SCREW	VIS	SCHRAUBE
45	12583500/0	4	GROWER	GROWER	GROWER	GROWER
46	12523060/0	4	RONDELLA	WASHER	RONDELLE	SCHEIBE
47	25430223/2	1	MOLLA	SPRING	RESSORT	FEDER
48	12789000/0	1	VITE	SCREW	VIS	SCHRAUBE
49	12154330/0	1	DADO	NUT	ECROU	MUTTER
51	25961201/0	1	VOLANTE	STEERING WHEEL	VOLANT	LENKRAD
52	12620299/0	1	SPINA	PIN	GOUPILLE	STIFT
53	25120230/0	1	TAPPO	CAP	BOUCHON	STOPFEN
54	27063021/1	1	CAMMA	CAM	CAME	NOCKEN
55	12789100/0	2	VITE	SCREW	VIS	SCHRAUBE
56	12523020/0	2	RONDELLA	WASHER	RONDELLE	SCHEIBE
57	12154330/0	2	DADO	NUT	ECROU	MUTTER
61	●	1	COPERTURA	COVER	COUVRE	KAPPE
	25110098/1		ROSSO	RED	ROUGE	ROT
	25110096/0		VERDE	GREEN	VERT	GRÜN
	25110094/0		BLU	BLUE	BLEU	BLAU
62	12735410/0	2	VITE	SCREW	VIS	SCHRAUBE
63	12521330/0	2	RONDELLA	WASHER	RONDELLE	SCHEIBE
64	12735402/0	2	VITE	SCREW	VIS	SCHRAUBE
81	25600020/0	1	PROTEZIONE SUPERIORE	UPPER GUARD	PROTECTION SUPERIEUR	OBERSCHUTZ
82	25600021/1	1	PROTEZIONE INFERIORE	LOWER GUARD	PROTECTION INFERIEUR	UNTERSCHUTZ
83	12728460/0	2	VITE	SCREW	VIS	SCHRAUBE
84	12521320/0	2	ROSETTA	WASHER	RONDELLE	SCHEIBE
85	12437502/0	2	PIASTRINA	PLATE	PLAQUE	PLÄTTE
91	25735116/2	1	SERBATOIO	TANK	RESERVOIR	TANK
92	25795000/1	1	TAPPO	CAP	BOUCHON	TANKVERSCHLUSS
93	25774258/0	1	SUPPORTO	SUPPORT	SUPPORT	HALTER
94	12735110/0	1	VITE	SCREW	VIS	SCHRAUBE
101	82869011/0	1	PROTEZIONE SILENZIATORE	MUFFLER PROTECTION	PROTECTION SILENCIEUX	AUSPUFFSCHUTZ
102	18566110/0	2	PUNTALE	CAP	BOUCHON	PFROPFEN
103	12734995/0	4	VITE	SCREW	VIS	SCHRAUBE
104	25547089/0	1	PIASTRINA DESTRA	RIGHT PLATE	PLAQUE DROITE	RECHTE PLATTE
105	25547091/0	1	PIASTRINA SINISTRA	LEFT PLATE	PLAQUE GAUCHE	LINKE PLATTE
106	12731580/0	4	VITE	SCREW	VIS	SCHRAUBE



J JP JT JR JTP JB JX JS

98 S

98 S hydro

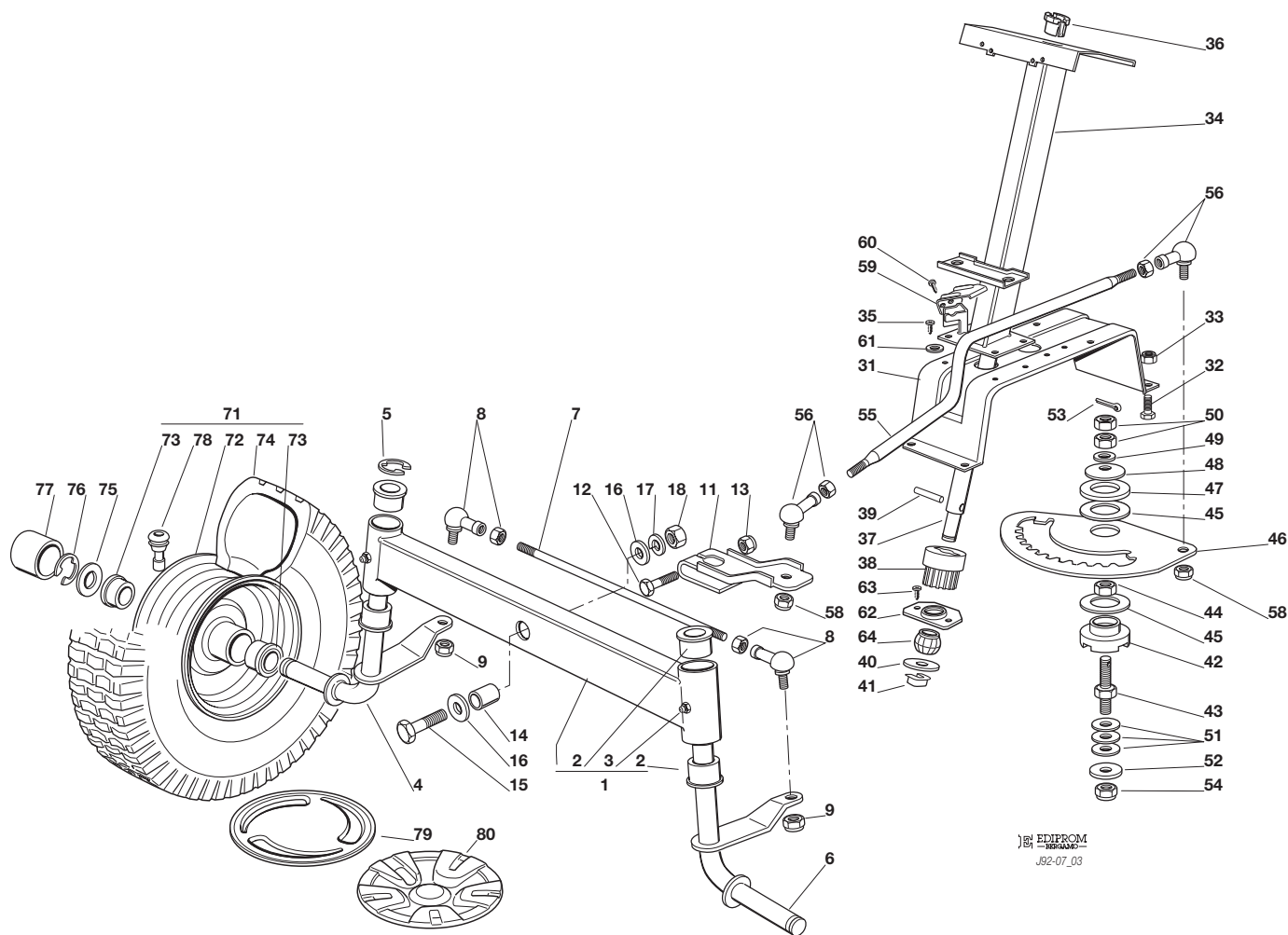


STERZO
STEERING
BARRE DE DIRECTION
LENKGETRIEBE

2007

503.0

1 / 2



EDIPROM
J82-07_03

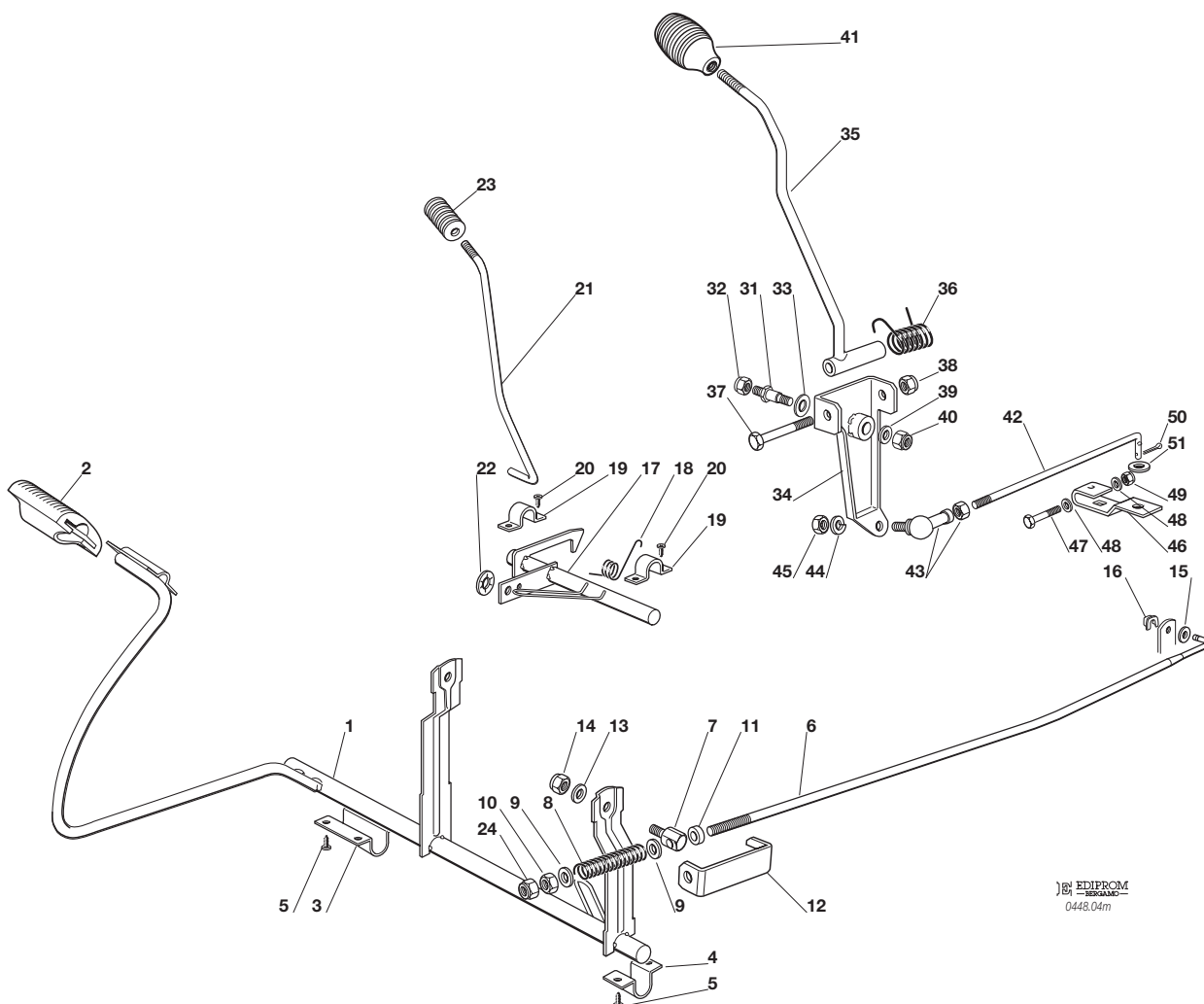
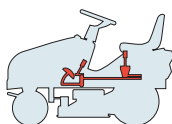
N.	CODE	Q.TY	DESCRIZIONE	DESCRIPTION	DESCRIPTION	BESCHREIBUNG
1	82034008/0	1	BILANCIERE CON BOCCOLA ED INGRASSATORE	EQUALIZER WITH BUSH AND LUBRICATOR	BALANCIER AVEC DOULIE ET GRAISSEUR	KIPPEBEL MIT BÜCHSE UND FETTBÜCHSE
2	25034002/1	4	BOCCOLA	BUSH	DOUILLE	BÜCHSE
3	12379511/0	2	INGRASSATORE	GREASE DISPENSER	GRAISSEUR	FETTBÜCHSE
4	82230355/0	1	FUSELLO DESTRO	RIGHT STUB AXLE	FUSEAU DROITE	RECHTER ACHSSCHENKEL
5	12001000/0	1	ANELLO ELASTICO	SNAP RING	ANNEAU RESSORT	SPRENGRING
6	82230357/0	1	FUSELLO SINISTRO	LEFT STUB AXLE	FUSEAU GAUCHE	LINKER ACHSSCHENKEL
7	25840006/0	1	TIRANTE COLLEG. FUSELLI	TIE ROD	TIRANT	SPANNSTANGE
8	22746600/0	2	SNODO	JOINT	JOINT	GELENK
9	12156602/0	2	DADO	NUT	ECROU	MUTTER
11	25318142/0	1	LEVA	LEVER	LEVIER	HEBEL
12	12692390/0	1	VITE	SCREW	VIS	SCHRAUBE
13	12156602/0	1	DADO	NUT	ECROU	MUTTER
14	25160016/0	1	DISTANZIALE	SPACER	ENTRETOISE	ENTFERNUNGSSTÜCK
15	12692695/0	1	VITE	SCREW	VIS	SCHRAUBE
16	12523100/0	2	RONDELLA	WASHER	RONDELLE	SCHEIBE
17	12587100/0	1	GROWER	GROWER	GROWER	GROWER
18	12295300/0	1	DADO	NUT	ECROU	MUTTER
31	25785101/0	1	SUPPORTO	SUPPORT	SUPPORT	HALTER
32	12792611/0	4	VITE	SCREW	VIS	SCHRAUBE
33	12155000/0	4	DADO	NUT	ECROU	MUTTER
34	82785135/0	1	SUPPORTO	SUPPORT	SUPPORT	HALTER
35	12735120/0	4	VITE	SCREW	VIS	SCHRAUBE
36	25038004/0	1	BOCCOLA	BUSH	DOUILLE	BÜCHSE
37	25520004/0	1	PIANTONE	STEERING COLUMN	TUBE DE DIRECTION	LENKUNGSÄULE
38	25570000/2	1	PIGNONE	PIGNON	PIGNON	RITZEL
39	12622650/0	1	SPINA	PIN	GOUPILLE	STIFT
40	12521370/0	1	RONDELLA	WASHER	RONDELLE	SCHEIBE





N.	CODE	Q.TY	DESCRIZIONE	DESCRIPTION	DESCRIPTION	BESCHREIBUNG
41	12436030/0	1	PIASTRINA	PLATE	PLAQUETTE	PLATTECHEN
42	25040617/0	1	BUSSOLA	BUSH	DOUILLE	BÜCHSE
43	25510065/1	1	PERNO	PIN	PIVOT	BOLZEN
44	12295200/0	1	DADO	NUT	ECROU	MUTTER
45	25670012/0	2	RONDELLA	WASHER	RONDELLE	SCHEIBE
46	25735507/0	1	SETTORE	STEERING SHAFT	ARBRE DIRECTION	LENKUNGSWELLE
47	25670014/0	1	RONDELLA	WASHER	RONDELLE	SCHEIBE
48	22160400/0	1	DISCO ELASTICO	ELASTIC WASHER	DISQUE ELASTIQUE	FEDERSCHEIBE
49	12521360/0	1	ROSETTA	WASHER	RONDELLE	SCHEIBE
50	12295200/0	2	DADO	NUT	ECROU	MUTTER
51	22672150/0	3	RONDELLA	WASHER	RONDELLE	SCHEIBE
52	12523080/0	1	RONDELLA	WASHER	RONDELLE	SCHEIBE
53	12141418/0	1	COPPIGLIA	COTTER PIN	GOUPILLE	SPLINT
54	12156602/0	1	DADO	NUT	ECROU	MUTTER
55	25033025/0	1	ASTA COM. STERZO	STEERING ROD DIRECTION	LEVIER BARRE DE DIRECTION	LENKUNGSSTAB
56	22746600/0	2	SNODO	JOINT	JOINT	GELENK
58	12156602/0	2	DADO	NUT	ECROU	MUTTER
59	25600036/0	1	PROTEZIONE MICRO	MICRO PROTECTION	PROTECTION MICRO	SCHUTZ
60	12727810/0	2	VITE	SCREW	VIS	SCHRAUBE
61	12521330/0	2	RONDELLA (J - JP)	WASHER (J - JP)	RONDELLE (J - JP)	SCHEIBE (J - JP)
62	25785213/0	1	SUPPORTO	SUPPORT	SUPPORT	HALTER
63	12729601/1	2	VITE	SCREW	VIS	SCHRAUBE
64	25743000/0	1	SNODO	JOINT	JOINT	GELENK
71	82680002/2	2	RUOTA ANTERIORE TURF SAVER CARLISLE	FRONT WHEEL TURF SAVER CARLISLE	ROUE AVANT TURF SAVER CARLISLE	VORDERRAD TURF SAVER CARLISLE
	82680005/1		DELI TIRE	DELI TIRE	DELI TIRE	DELI TIRE
72	82000590/1	2	CERCHIO RUOTA	RIMM	BANDAGE ROUE	VORDERRAD FELGER
73	25122200/2	4	CUSCINETTO	BEARING	ROULEMENT	LAGER
74	25590000/0	2	PNEUMATICO TURF SAVER CARLISLE	SHOE TURF SAVER CARLISLE	PNEU TURF SAVER CARLISLE	REIFEN TURF SAVER CARLISLE
	25590002/0		DELI TIRE	DELI TIRE	DELI TIRE	DELI TIRE
75	25670005/1	2	RONDELLA	WASHER	RONDELLE	SCHEIBE
76	12001000/0	2	ANELLO ELASTICO	SNAP RING	ANNEAU RESSORT	SPRENGRING
77	22110230/0	2	COPRIMOZZO	HUB COVER	COUVRE MOYEU	NABEDECKEL
78	25950000/0	2	VALVOLA	VALVE	SOUPAPE	VENTIL
79	82110252/0	2	COPRIMOZZO	HUB COVER	COUVRE MOYEU	NABEDECKEL
80	82110274/0	2	COPRIMOZZO	HUB COVER	COUVRE MOYEU	NABEDECKEL





EDIPROM
0448,04m

N.	CODE	Q.TY	DESCRIZIONE	DESCRIPTION	DESCRIPTION	BESCHREIBUNG
1	82500002/1	1	PEDALE	PEDAL	PEDAL	PEDAL
2	25110269/0	1	COPRISTAFFA	CLAMP COVER	COUVRE ETRIER	BRIDEDECKEL
3	25547039/0	1	PIASTRINA DESTRA	RIGHT PLATE	PLAQUE DROITE	RECHTE PLATTE
4	25547041/0	1	PIASTRINA SINISTRA	LEFT PLATE	PLATE GAUCHE	LINKE PLATTE
5	12731601/0	6	VITE	SCREW	VIS	SCHRAUBE
6	25033036/0	1	ASTA	ROD	BARRE	STANGE
7	25510060/0	1	PERNO	PIN	PIVOT	BOLZEN
8	25430236/0	1	MOLLA	SPRING	RESSORT	FEDER
9	12521360/0	2	ROSETTA	WASHER	RONDELLE	SCHEIBE
10	12295200/0	1	DADO	NUT	ECROU	MUTTER
11	25160026/0	1	DISTANZIALE	SPACER	ENTRETOISE	ENTFERNUNGSSTÜCK
12	25774275/0	1	STAFFA	CLAMP	ETRIER	BRIDE
13	12523040/0	1	RONDELLA	WASHER	RONDELLE	SCHEIBE
14	12154510/0	1	DADO	NUT	ECROU	MUTTER
15	12521350/0	1	RONDELLA	WASHER	RONDELLE	SCHEIBE
16	12436050/0	1	PIASTRINA	PLATE	PLAQUE	PLATTE
17	82000361/0	1	ASSE AZIONAM. MICRO	AXLE	AXE	ACHSE
18	25430234/0	1	MOLLA	SPRING	RESSORT	FEDER
19	25547049/0	2	PIASTRINA	PLATE	PLAQUE	PLATTE
20	12731601/0	4	VITE	SCREW	VIS	SCHRAUBE
21	25033043/0	1	ASTA	ROD	BARRE	STANGE
22	12604898/0	1	FISSATORE A CORONA	CROWN FASTENER	FIXATEUR A COURONNE	KRONESCHEIBE
23	27395050/1	1	MANOPOLA	KNOB	POIGNEE	KNOPF
24	12156602/0	1	DADO	NUT	ECROU	MUTTER
31	25510035/0	1	PERNO	PIN	PIVOT	BOLZEN
32	12155010/0	1	DADO	NUT	ECROU	MUTTER
33	22672151/0	1	RONDELLA	WASHER	RONDELLE	SCHEIBE
34	82774206/0	1	STAFFA	CLAMP	ETRIER	BRIDE





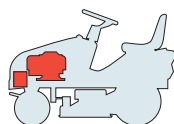
N.	CODE	Q.TY	DESCRIZIONE	DESCRIPTION	DESCRIPTION	BESCHREIBUNG
35	82318134/1	1	LEVA	GEARSHIFT	LEVIER	HEBEL
36	25430226/0	1	MOLLA	SPRING	RESSORT	FEDER
37	12692050/0	1	VITE	SCREW	VIS	SCHRAUBE
38	12155000/0	1	DADO	NUT	ECROU	MUTTER
39	12523060/0	1	RONDELLA	WASHER	RONDELLE	SCHEIBE
40	12155010/0	1	DADO	NUT	ECROU	MUTTER
41	25394510/0	1	MANOPOLA	KNOB	POIGNEE	WECHSEL
42	25033012/0	1	ASTA (Peerless)	ROD (Peerless)	BARRE (Peerless)	STANGE (Peerless)
	25840020/0	1	ASTA (Dana)	ROD (Dana)	BARRE (Dana)	STANGE (Dana)
43	22746601/0	1	SNODO	JOINT	JOINT	GELENK
44	12583500/0	1	GROWER	GROWER	GROWER	GROWER
45	12293200/0	1	DADO	NUT	ECROU	MUTTER
46	25318128/0	1	LEVA	GEARSHIFT	LEVIER	HEBEL
47	12689500/0	1	VITE	SCREW	VIS	SCHRAUBE
48	12521330/0	2	RONDELLA	WASHER	RONDELLE	SCHEIBE
49	12154510/0	1	DADO	NUT	ECROU	MUTTER
50	12141418/0	1	COPPIGLIA	COTTER PIN	GOUPILLE	SPLINT
51	12521340/0	1	RONDELLA (Dana)	WASHER (Dana)	RONDELLE (Dana)	SCHEIBE (Dana)



J JP JT JR JTP JB JX JS

98 S

98 S hydro



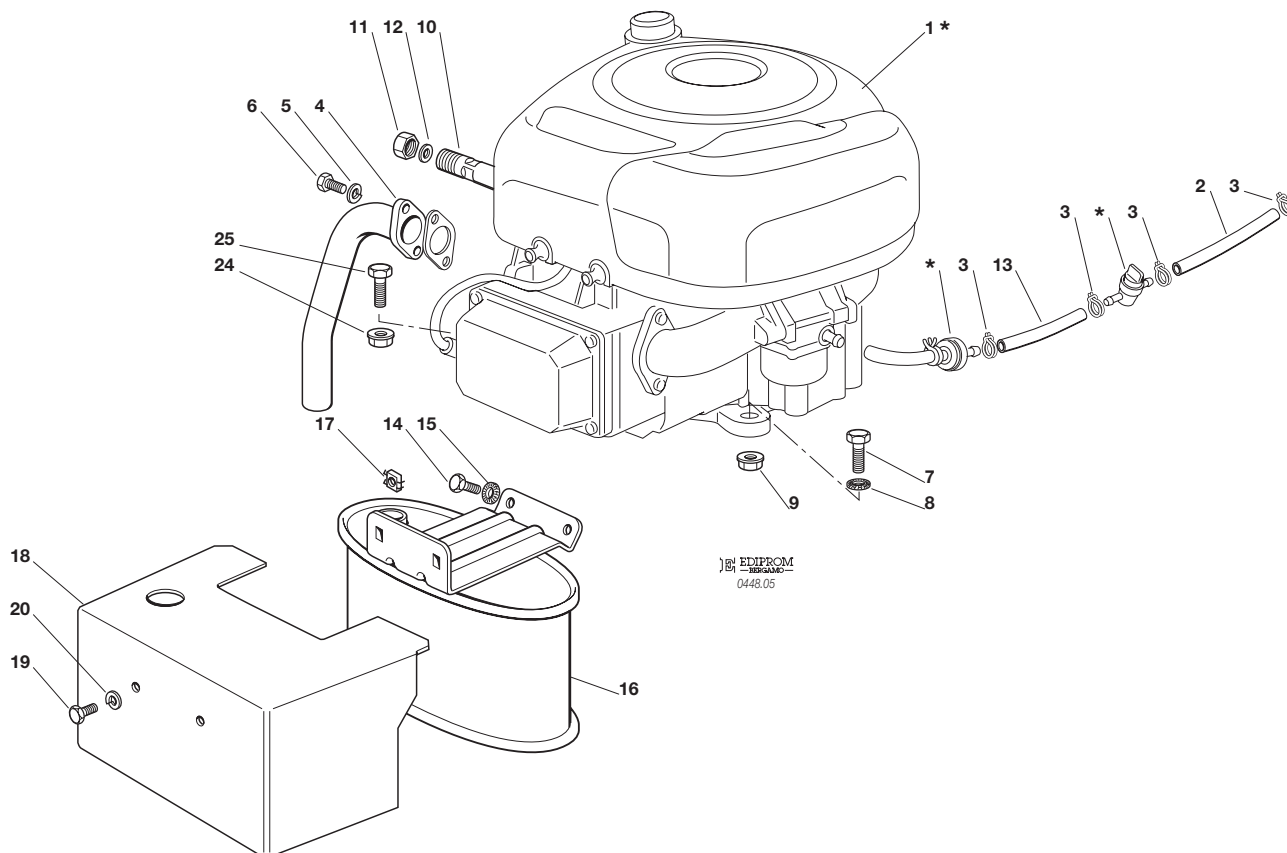
**MOTORE
ENGINE
MOTEUR
MOTOR**
B&S 13,5 HP



2007

505.0

1 / 1



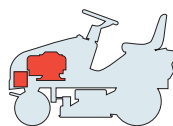
EDIPROM
0448.05

N.	CODE	Q.TY	DESCRIZIONE	DESCRIPTION	DESCRIPTION	BESCHREIBUNG
1*	—	1	MOTORE	ENGINE	MOTEUR	MOTOR
2	25869009/1	1	TUBO COLLEGAMENTO	CONNECTING TUBE	TUBE DE CONNEXION	VERBINDUNGSROHR
3	18375051/1	4	FASCETTA	FAIR LED	FIXATION DE CABLE	KABELBEFESTIGUNG
4	18738224/0	1	TUBO SCARICO	EXHAUST TUBE	TUBE ECHAPPEMENT	ABGASUNGROHR
5	12583500/0	2	GROWER	GROWER	GROWER	GROWER
6	12735530/0	2	VITE	SCREW	VIS	SCHRAUBE
7	12691115/0	1	VITE	SCREW	VIS	SCHRAUBE
8	12540260/0	1	RONDELLA	WASHER	RONDELLE	SCHEIBE
9	12154210/0	1	DADO	NUT	ECROU	MUTTER
10	25598050/0	1	PROLUNGA SCARICO OLIO	OIL DISCHARGE EXTENSION	EXTENSION DECH. HUILE	ÖL ABFLUSS
11	18737849/0	1	TAPPO PROLUNGA	OIL CAP	BOUCHON HUILE	OELVERSCHLUSS
12	18401001/1	1	GUARNIZIONE	OIL SEAL	GARNITURE	DICHTUNG
13	25869006/1	1	TUBO COLLEGAMENTO	CONNECTING TUBE	TUBE DE CONNEXION	VERBINDUNGSROHR
14	12793102/0	2	VITE	SCREW	VIS	SCHRAUBE
15	12540260/0	2	RONDELLA	WASHER	RONDELLE	SCHEIBE
16	82750004/0	1	SILENZIATORE	MUFFLER	SILENCEUX	AUSPUFF
17	12360425/0	2	DADO	NUT	ECROU	MUTTER
18	82598009/2	1	PROTEZIONE	GUARD	PROTECTION	SCHUTZE
19	12792611/0	2	VITE	SCREW	VIS	SCHRAUBE
20	12583500/0	2	GROWER	GROWER	GROWER	GROWER
24	12154210/0	3	DADO	NUT	ECROU	MUTTER
25	12691100/0	3	VITE	SCREW	VIS	SCHRAUBE

PER LA SOSTITUZIONE DELLE PARTI CONTRASSEGNALE CON «*» RIVOLGERSI AL SERVIZIO ASSISTENZA DEL COSTRUTTORE DEL MOTORE.
 TO REPLACE THE PARTS MARKED «*» SEEK ASSISTANCE FROM THE ENGINE MANUFACTURER'S AFTER SALES SERVICE.
 POUR LE REMPLACEMENT DES PIÈCES MARQUÉES AVEC «*» S'ADRESSER AU SERVICE APRÈS VENTES DU CONSTRUCTEUR DU MOTEUR.
 ZUM AUSTAUSCH DER MIT «*» GEKENNZEICHNETEN TEILE, WENDEN SIE SICH AN DEN KUNDENDIENST DES HERSTELLERS DES MOTOR.



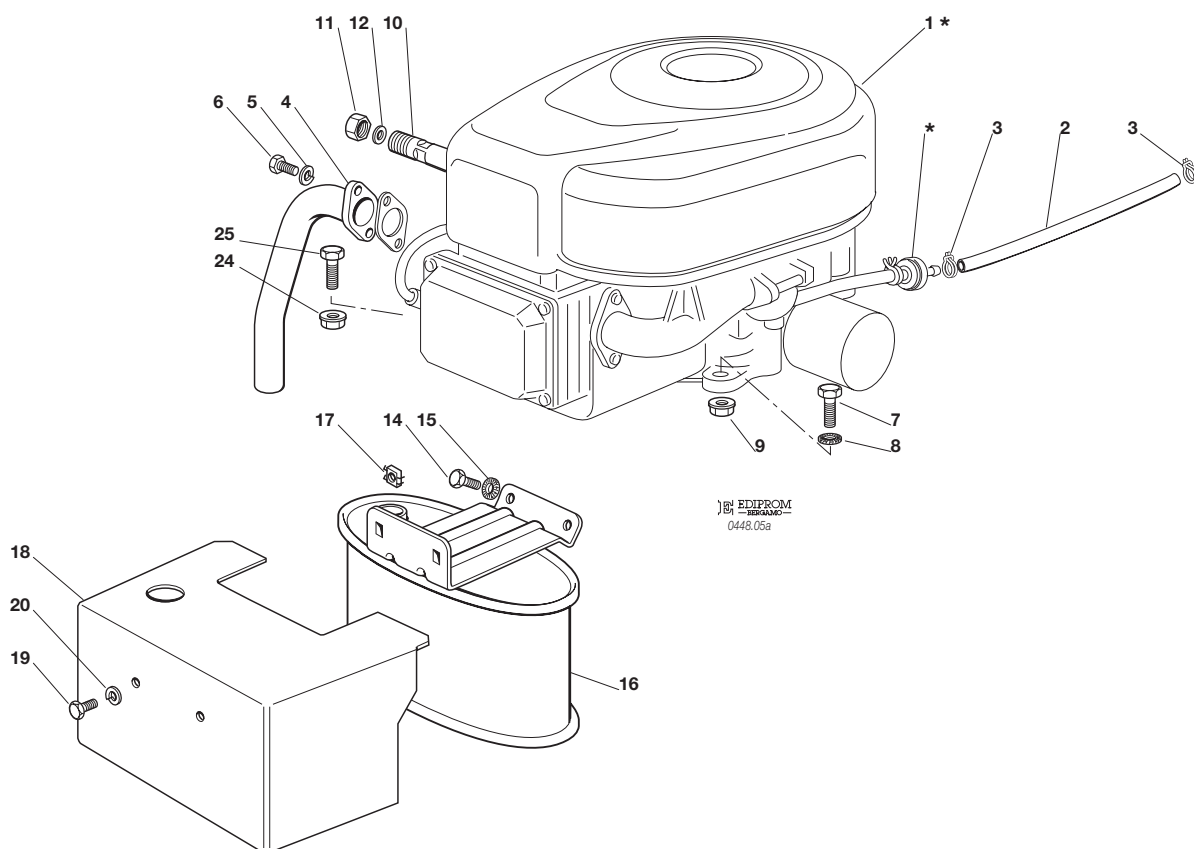
J	JP	JT	JR	JTP	JB	JX	JS
98 S				98 S hydro			



**MOTORE
ENGINE
MOTEUR
MOTOR**
B&S 15,5 HP



2007
505a.0
1 / 1

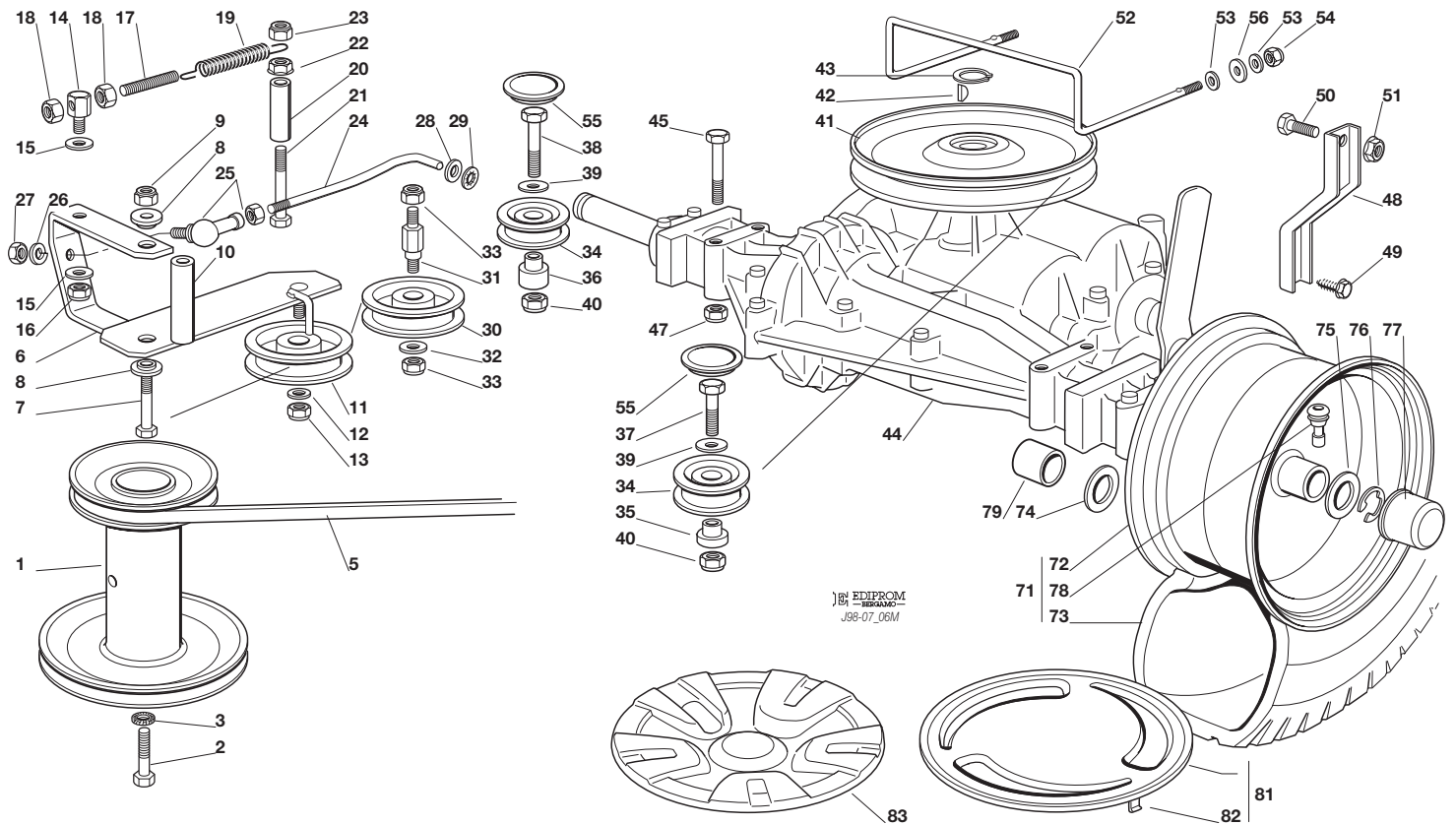
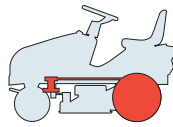


EDIPROM
0448.06a

N.	CODE	Q.TY	DESCRIZIONE	DESCRIPTION	DESCRIPTION	BESCHREIBUNG
1*	—	1	MOTORE	ENGINE	MOTEUR	MOTOR
2	25869016/1	1	TUBO COLLEGAMENTO	CONNECTING TUBE	TUBE DE CONNEXION	VERBINDUNGSROHR
3	18375051/1	2	FASCETTA	FAIR LED	FIXATION DE CABLE	KABELBEFESTIGUNG
4	18738206/0	1	TUBO SCARICO	EXHAUST TUBE	TUBE ECHAPPEMENT	ABGASUNGROHR
5	12583500/0	2	GROWER	GROWER	GROWER	GROWER
6	12735530/0	2	VITE	SCREW	VIS	SCHRAUBE
7	12691115/0	1	VITE	SCREW	VIS	SCHRAUBE
8	12540260/0	1	RONDELLA	WASHER	RONDELLE	SCHEIBE
9	12154210/0	1	DADO	NUT	ECROU	MUTTER
10	25598050/0	1	PROLUNGA SCARICO OLIO	OIL DISCHARGE EXTENSION	EXTENSION DECH. HUILE	ÖL ABFLUSS
11	18737849/0	1	TAPPO PROLUNGA	OIL CAP	BOUCHON HUILE	OELVERSCHLUSS
12	18401001/1	1	GUARNIZIONE	OIL SEAL	GARNITURE	DICHTUNG
14	12793102/0	2	VITE	SCREW	VIS	SCHRAUBE
15	12540260/0	2	RONDELLA	WASHER	RONDELLE	SCHEIBE
16	82750004/0	1	SILENZIATORE	MUFFLER	SILENCEUX	AUSPUFF
17	12360425/0	2	DADO	NUT	ECROU	MUTTER
18	82598009/2	1	PROTEZIONE	GUARD	PROTECTION	SCHUTZE
19	12792611/0	2	VITE	SCREW	VIS	SCHRAUBE
20	12583500/0	2	GROWER	GROWER	GROWER	GROWER
24	12154210/0	3	DADO	NUT	ECROU	MUTTER
25	12691100/0	3	VITE	SCREW	VIS	SCHRAUBE

PER LA SOSTITUZIONE DELLE PARTI CONTRASSEGNALE CON «*» RIVOLGERSI AL SERVIZIO ASSISTENZA DEL COSTRUTTORE DEL MOTORE.
TO REPLACE THE PARTS MARKED «*» SEEK ASSISTANCE FROM THE ENGINE MANUFACTURER'S AFTER SALES SERVICE.
POUR LE REMPLACEMENT DES PIÈCES MARQUÉES AVEC «*» S'ADRESSER AU SERVICE APRÈS VENTES DU CONSTRUCTEUR DU MOTEUR.
ZUM AUSTAUSCH DER MIT «*» GEKENNZEICHNETEN TEILE, WENDEN SIE SICH AN DEN KUNDENDIENST DES HERSTELLERS DES MOTOR.





EDIPROM
-REDACTED-
J98-07_05M

N.	CODE	Q.TY	DESCRIZIONE	DESCRIPTION	DESCRIPTION	BESCHREIBUNG
1	25601547/1	1	PULEGGIA	PULLEY	POULIE	RIEMENSCHLEIBE
2	12737310/0	1	VITE	SCREW	VIS	SCHRAUBE
3	12543000/0	1	ROSETTA	WASHER	RONDELLE	SCHEIBE
5	35062000/1	1	CINGHIA	BELT	COURROIE	RIEMEN
6	82318133/0	1	LEVA	LEVER	LEVIER	HEBEL
7	12692080/0	1	VITE	SCREW	VIS	SCHRAUBE
8	25038002/1	2	BOCCOLA	BUSH	DOUILLE	BÜCHSE
9	12155000/0	1	DADO	NUT	ECROU	MUTTER
10	25160017/0	1	DISTANZIALE	SPACER	ENTRETOISE	ENTFERNUNGSSTÜCK
11	25601554/0	1	PULEGGIA	PULLEY	POULIE	RIEMENSCHLEIBE
12	12523060/0	1	RONDELLA	WASHER	RONDELLE	SCHEIBE
13	12155000/0	1	DADO	NUT	ECROU	MUTTER
14	25510040/1	1	PERNO	PIN	PIVOT	BOLZEN
15	25670011/0	2	RONDELLA	WASHER	RONDELLE	SCHEIBE
16	12155000/0	1	DADO	NUT	ECROU	MUTTER
17	25840005/0	1	TIRANTE	TIE ROD	TIRANT	SPANNSTANGE
18	12293200/0	2	DADO	NUT	ECROU	MUTTER
19	25430219/0	1	MOLLA	SPRING	RESSORT	FEDER
20	25160008/0	1	DISTANZIALE	SPACER	ENTRETOISE	ENTFERNUNGSSTÜCK
21	12692050/0	1	VITE	SCREW	VIS	SCHRAUBE
22	12293201/0	1	DADO	NUT	ECROU	MUTTER
23	12155000/0	1	DADO	NUT	ECROU	MUTTER
24	25840002/0	1	TIRANTE	TIE ROD	TIRANT	SPANNSTANGE
25	22746601/0	1	SNODO	JOINT	JOINT	GELENK
26	12583500/0	1	GROWER	GROWER	GROWER	GROWER
27	12293200/0	1	DADO	NUT	ECROU	MUTTER
28	12521350/0	1	RONDELLA	WASHER	RONDELLE	SCHEIBE
29	12604899/0	1	ANELLO ELASTICO	SNAP RING	ANNEAU RESSORT	SPRENGRING
30	25601555/0	1	PULEGGIA	PULLEY	POULIE	RIEMENSCHLEIBE
31	25510036/1	1	PERNO	PIN	PIVOT	BOLZEN





N.	CODE	Q.TY	DESCRIZIONE	DESCRIPTION	DESCRIPTION	BESCHREIBUNG
32	12523060/0	1	RONDELLA	WASHER	RONDELLE	SCHEIBE
33	12155000/0	2	DADO	NUT	ECROU	MUTTER
34	25601570/0	2	PULEGGIA	PULLEY	POULIE	RIEMENSCHLEIBE
35	25160018/0	1	DISTANZIALE SINISTRO	LEFT SPACER	ENTRETOISE GAUCHE	LINKER ENTFERNUNGSSTÜCK
36	25160014/0	1	DISTANZIALE DESTRO	RIGHT SPACER	ENTRETOISE DROITE	RECHTER ENTFERNUNGSSTÜCK
37	12691100/0	1	VITE SINISTRA	LEFT SCREW	VIS GAUCHE	LINKE SCHRAUBE
38	12691200/0	1	VITE DESTRA	RIGHT SCREW	VIS DROITE	RECHTE SCHRAUBE
39	12523060/0	2	RONDELLA	WASHER	RONDELLE	SCHEIBE
40	12155000/0	2	DADO	NUT	ECROU	MUTTER
41	82601503/0	1	PULEGGIA	PULLEY	POULIE	RIEMENSCHLEIBE
42	12139430/0	1	LINGUETTA	KEY	CLAVETTE	KEIL
43	12608950/0	1	ANELLO ELASTICO	SNAP RING	ANNEAU RESSORT	SPRENGRING
44*	18400910/2	1	ASSE POSTERIORE	REAR AXLE	AXE ARRIERE	HINTERACHSE
	18400912/0	1	ASSE POSTERIORE Tecumseh-Peerless MST 205-535 E Dana 4360-211	REAR AXLE Tecumseh-Peerless MST 205-535 E Dana 4360-211	AXE ARRIERE Tecumseh-Peerless MST 205-535 E Dana 4360-211	HINTERACHSE Tecumseh-Peerless MST 205-535 E Dana 4360-211
45	12691800/0	4	VITE (Peerless)	SCREW (Peerless)	VIS (Peerless)	SCHRAUBE (Peerless)
	12691900/0	4	VITE (Dana)	SCREW (Dana)	VIS (Dana)	SCHRAUBE (Dana)
47	12154210/0	4	DADO	NUT	ECROU	MUTTER
48	25774247/0	2	STAFFA	CLAMP	ETRIER	BRIDE
49	12735150/0	2	VITE	SCREW	VIS	SCHRAUBE
50	12792611/0	2	VITE	SCREW	VIS	SCHRAUBE
51	12293201/0	2	DADO	NUT	ECROU	MUTTER
52	25270303/2	1	GUIDACINGHIA	BELT GUIDE	GUIDE DE COURROIRE	RIEMENFÜHRUNG
53	12521330/0	4	RONDELLA	WASHER	RONDELLE	SCHEIBE
54	12155000/0	2	DADO	NUT	ECROU	MUTTER
55	25109521/1	2	COPERCHIO	COVER	COUVERCLE	DECKEL
56	12524005/0	2	RONDELLA (Dana)	WASHER (Dana)	RONDELLE (Dana)	SCHEIBE (Dana)
71	82680003/0	2	RUOTA POSTERIORE TURF SAVER CARLISLE	REAR WHEEL TURF SAVER CARLISLE	ROUE ARRIERE TURF SAVER CARLISLE	HINTERRAD TURF SAVER CARLISLE
	82680006/0		DELI TIRE	DELI TIRE	DELI TIRE	DELI TIRE
72	82000592/0	2	CERCHIO RUOTA	RIMM	BANDAGE ROUE	HINTERRAD FELGER
73	25590001/0	2	PNEUMATICO TURF SAVER CARLISLE	SHOE TURF SAVER CARLISLE	PNEU TURF SAVER CARLISLE	REIFEN TURF SAVER CARLISLE
	25590003/0		DELI TIRE	DELI TIRE	DELI TIRE	DELI TIRE
74	12521410/0	2-4	RONDELLA	WASHER	RONDELLE	SCHEIBE
75	25670005/1	2	RONDELLA	WASHER	RONDELLE	SCHEIBE
76	12001010/0	2	ANELLO ELASTICO	SNAP RING	ANNEAU RESSORT	SPRENGRING
77	22110230/0	2	COPRIMOZZO	HUB COVER	COUVRE MOYEU	NABEDECKEL
78	25950000/0	2	VALVOLA	VALVE	SOUPAPE	VENTIL
79	25160034/0	2	DISTANZIALE (Dana)	SPACER (Dana)	ENTRETOISE (Dana)	ENTFERNUNGSSTÜCK (Dana)
81	82110253/0	2	COPRIRUOTA POST.	REAR WHEEL DECK	COUVRE ROUE POST.	HINTERRADDECKEL
82	25430209/0	8	MOLLA AGGANCI	SPRING	RESSORT	FEDER
83	82110275/0	2	COPRIRUOTA POST.	REAR WHEEL DECK	COUVRE ROUE POST.	HINTERRADDECKEL

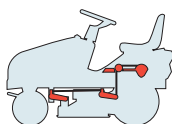
PER LA SOSTITUZIONE DELLE PARTI CONTRASSEGNALE CON «*» RIVOLGERSI AL SERVIZIO ASSISTENZA DEL COSTRUTTORE DELLA TRASMISSIONE.
 TO REPLACE THE PARTS MARKED «*» SEEK ASSISTANCE FROM THE TRANSMISSION MANUFACTURER'S AFTER SALES SERVICE.
 POUR LE REMPLACEMENT DES PIÈCES MARQUÉES AVEC «*» S'ADRESSER AU SERVICE APRÈS VENTES DU CONSTRUCTEUR DE LA TRANSMISSION.
 ZUM AUSTAUSCH DER MIT «*» GEKENNZEICHNETEN TEILE, WENDEN SIE SICH AN DEN KUNDENDIENST DES HERSTELLERS DES ANTRIEBS.



J JP JT JR JTP JB JX JS

98 S

98 S hydro

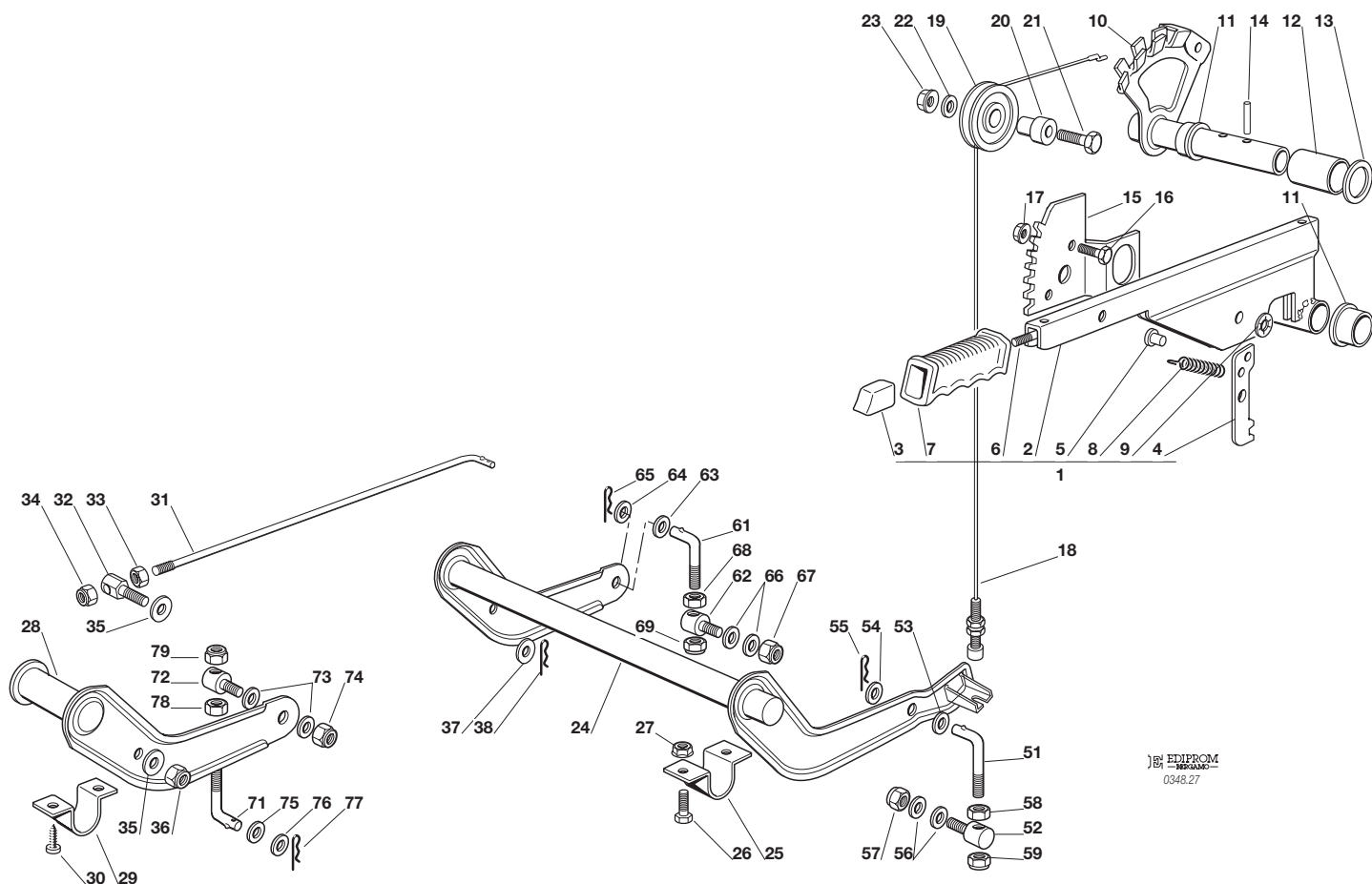


SOLLEVAMENTO PIATTO DI TAGLIO
CUTTING PLATE LIFTING
SOULEVEMENT PLATEAU DE COUPE
SCHNEIDWERKZEUG AUFHEBESATZ

2007

507.0

1 / 2



EDIPROM
0348.27

N.	CODE	Q.TY	DESCRIZIONE	DESCRIPTION	DESCRIPTION	BESCHREIBUNG
1	82300002/1	1	ASSIEME LEVA (2÷9)	LEVER ASS.Y (2÷9)	ENS. LEVIER (2÷9)	SCHNEIDWERKZEUG AUFHEBENHEBEL (2÷9)
2	82318139/0	1	LEVA	LEVER	LEVIER	HEBEL
3	25605000/1	1	PULSANTE	BUTTON	POUSSOIR	DRUCKKNOPF
4	25470901/0	1	NASELLO	DOG	DECLIC	NASE
5	25510011/0	1	PERNO	PIN	PIVOT	BOLZEN
6	25033002/0	1	ASTA	ROD	TIGE	STAB
7	25394504/1	1	MANOPOLA	KNOB	POIGNEE	GRIFF
8	25430208/0	1	MOLLA	SPRING	RESSORT	FEDER
9	12604899/0	1	RONDELLA	WASHER	RONDELLE	SCHEIBE
10	82000403/0	1	ASSE	AXLE	AXE	ACHSE
11	22034523/0	2	BOCCOLA	BUSH	DOUILLE	BÜCHSE
12	25160013/0	1	DISTANZIALE	SPACER	ENTRETOISE	ENTFERNUNGSSTÜCK
13	12521410/0	1	RONDELLA	WASHER	RONDELLE	SCHEIBE
14	12620206/0	2	SPINA	PIN	GOUPILLE	STIFT
15	25735506/1	1	SETTORE	SECTOR	SECTEUR	SEKTOR
16	12792611/0	2	VITE	SCREW	VIS	SCHRAUBE
17	12293201/0	2	DADO	NUT	ECROU	MUTTER
18	82004603/0	1	FILO	WIRE	FIL	KABEL
19	25601557/0	1	PULEGGIA	PULLEY	POULIE	RIEMENSCHIEBE
20	25510032/0	1	PERNO	PIN	PIVOT	BOLZEN
21	12691400/0	1	VITE	SCREW	VIS	SCHRAUBE
22	12523060/0	1	RONDELLA	WASHER	RONDELLE	SCHEIBE
23	12293201/0	1	DADO	NUT	ECROU	MUTTER
24	82000381/2	1	ASSE SOLLEVAMENTO	AXLE	AXE	ACHSE
25	25547037/1	2	PIASTRINA	PLATE	PLAQUE	PLATTE
26	12791011/0	4	VITE	SCREW	VIS	SCHRAUBE
27	12292102/0	4	DADO	NUT	ECROU	MUTTER
28	82318137/0	1	LEVA	LEVER	LEVIER	HEBEL
29	25547041/0	2	PIASTRINA	PLATE	PLAQUE	PLATTE





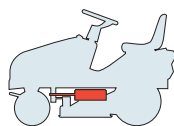
N.	CODE	Q.TY	DESCRIZIONE	DESCRIPTION	DESCRIPTION	BESCHREIBUNG
30	12731601/0	4	VITE	SCREW	VIS	SCHRAUBE
31	25033013/0	1	ASTA	ROD	TIGE	STAB
32	25510040/1	1	PERNO	PIN	PIVOT	BOLZEN
33	12293200/0	1	DADO	NUT	ECROU	MUTTER
34	12155000/0	1	DADO	NUT	ECROU	MUTTER
35	25670011/0	2	RONDELLA	WASHER	RONDELLE	SCHEIBE
36	12155000/0	1	DADO	NUT	ECROU	MUTTER
37	12521350/0	1	RONDELLA	WASHER	RONDELLE	SCHEIBE
38	24487997/0	1	COPPIGLIA	COTTER PIN	GOUPILLE	SPLINT
51	25840003/2	1	TIRANTE	TIE ROD	TIRANT	SPANNSTANGE
52	25510024/0	1	PERNO	PIN	PIVOT	BOLZEN
53	12521360/0	1	RONDELLA	WASHER	RONDELLE	SCHEIBE
54	25670008/1	1	RONDELLA	WASHER	RONDELLE	SCHEIBE
55	24487997/0	1	COPPIGLIA	COTTER PIN	GOUPILLE	SPLINT
56	25670008/1	2	RONDELLA	WASHER	RONDELLE	SCHEIBE
57	12156602/0	1	DADO	NUT	ECROU	MUTTER
58	12295200/0	1	DADO	NUT	ECROU	MUTTER
59	12156602/0	1	DADO	NUT	ECROU	MUTTER
61	25840003/2	1	TIRANTE	TIE ROD	TIRANT	SPANNSTANGE
62	25510024/0	1	PERNO	PIN	PIVOT	BOLZEN
63	12521360/0	1	RONDELLA	WASHER	RONDELLE	SCHEIBE
64	25670008/1	1	RONDELLA	WASHER	RONDELLE	SCHEIBE
65	24487997/0	1	COPPIGLIA	COTTER PIN	GOUPILLE	SPLINT
66	25670008/1	2	RONDELLA	WASHER	RONDELLE	SCHEIBE
67	12156602/0	1	DADO	NUT	ECROU	MUTTER
68	12295200/0	1	DADO	NUT	ECROU	MUTTER
69	12156602/0	1	DADO	NUT	ECROU	MUTTER
71	25840012/0	1	TIRANTE	TIE ROD	TIRANT	SPANNSTANGE
72	25510024/0	1	PERNO	PIN	PIVOT	BOLZEN
73	25670008/1	2	RONDELLA	WASHER	RONDELLE	SCHEIBE
74	12156602/0	1	DADO	NUT	ECROU	MUTTER
75	12521360/0	1	RONDELLA	WASHER	RONDELLE	SCHEIBE
76	25670008/1	1	RONDELLA	WASHER	RONDELLE	SCHEIBE
77	24487997/0	1	COPPIGLIA	COTTER PIN	GOUPILLE	SPLINT
78	12295200/0	1	DADO	NUT	ECROU	MUTTER
79	12156602/0	1	DADO	NUT	ECROU	MUTTER



J JP JT JR JTP JB JX JS

98 S

98 S hydro

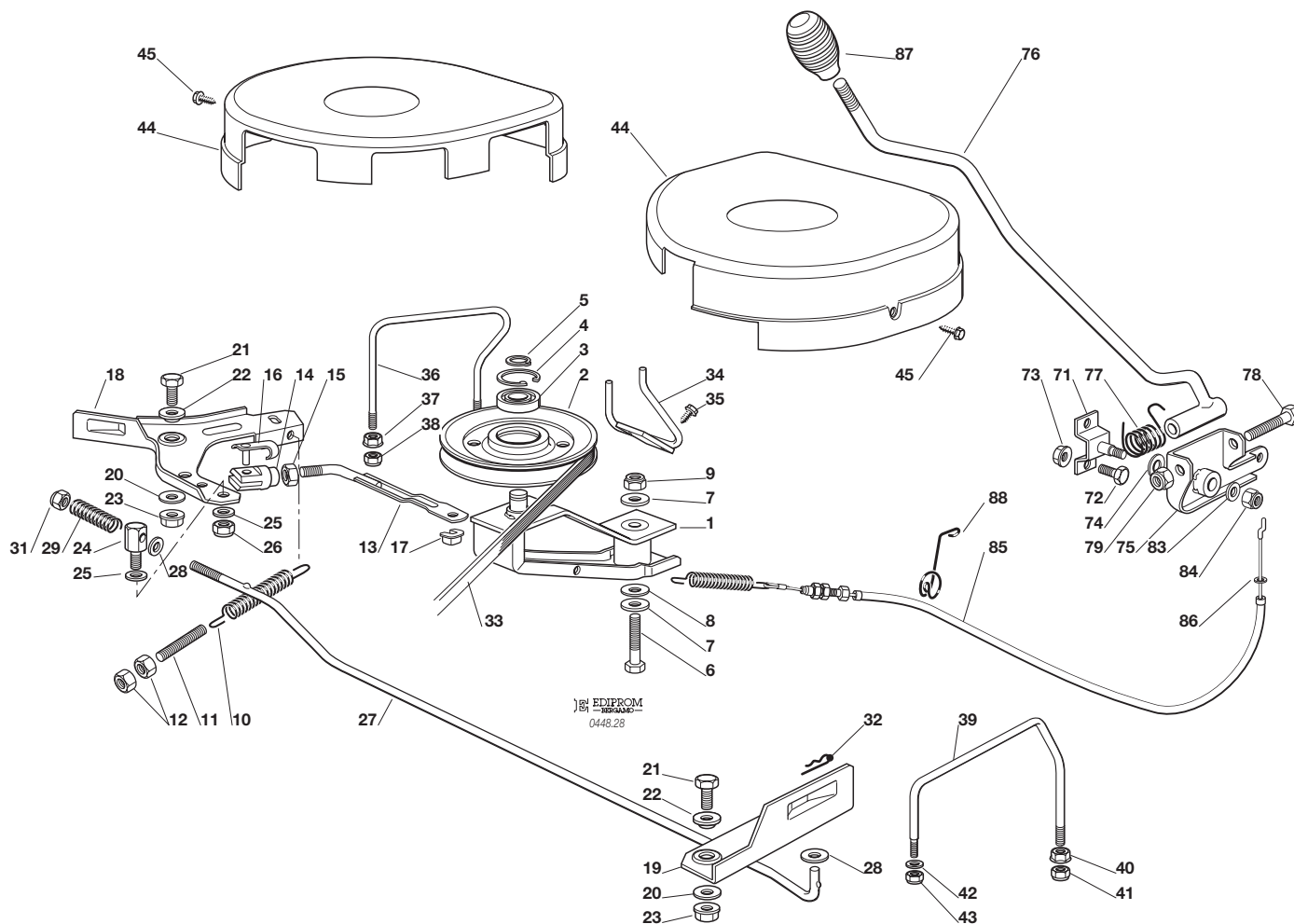


PIATTO DI TAGLIO (1)
CUTTING PLATE (1)
PLATEAU DE COUPE (1)
SCHNEIDWERKZEUG (1)

2007

508.0

1 / 2



N.	CODE	Q.TY	DESCRIZIONE	DESCRIPTION	DESCRIPTION	BESCHREIBUNG
1	82318141/2	1	LEVA	LEVER	LEVIER	HEBEL
2	25601572/0	1	PULEGGIA	PULLEY	POULIE	RIEMENSCHLEIBE
3	19216033/1	1	CUSCINETTO	BEARING	ROULEMENT	KUEGELLAGER
4	12610800/0	1	ANELLO ELASTICO	SNAP RING	ANNEAU RESSORT	SPRENGRING
5	12609200/0	1	ANELLO ELASTICO	SNAP RING	ANNEAU RESSORT	SPRENGRING
6	12691700/0	1	VITE	SCREW	VIS	SCHRAUBE
7	12523070/0	2	RONDELLA	WASHER	RONDELLE	SCHEIBE
8	22672152/0	1	RONDELLA	WASHER	RONDELLE	SCHEIBE
9	12155000/0	1	DADO	NUT	ECROU	MUTTER
10	25430214/1	1	MOLLA	SPRING	RESSORT	FEDER
11	25840005/0	1	TIRANTE	TIE ROD	TIRANT	SPANNSTANGE
12	12293200/0	2	DADO	NUT	ECROU	MUTTER
13	82000525/0	1	ASTA	ROD	TIGE	STAB
14	18399001/0	1	FORCELLA	FORK	FOURCHE	GABEL
15	12293200/0	1	DADO	NUT	ECROU	MUTTER
16	18210201/0	1	CLIP	CLIP	CLIP	SPERRBOLZEN
17	12436050/0	1	PIASTRINA	PLATE	PLAQUE	PLATTE
18	25318136/1	1	LEVA DESTRA	RIGHT LEVER	LEVIER DROITE	RECHTE HEBEL
19	25318135/1	1	LEVA SINISTRA	LEFT LEVER	LEVIER GAUCHE	LINKE HEBEL
20	22672152/0	2	RONDELLA	WASHER	RONDELLE	SCHEIBE
21	12792611/0	2	VITE	SCREW	VIS	SCHRAUBE
22	22041980/0	2	BUSSOLA	BUSH	DOUILLE	BUEHSE
23	12293201/0	2	DADO	NUT	ECROU	MUTTER
24	25510076/0	1	PERNO	PIN	PIVOT	BOLZEN
25	25670011/0	2	RONDELLA	WASHER	RONDELLE	SCHEIBE
26	12155000/0	1	DADO	NUT	ECROU	MUTTER
27	25033045/1	1	ASTA	ROD	TIGE	STAB
28	12521350/0	2	RONDELLA	WASHER	RONDELLE	SCHEIBE
29	25430243/0	1	MOLLA	SPRING	RESSORT	FEDER
31	12154210/0	1	DADO	NUT	ECROU	MUTTER





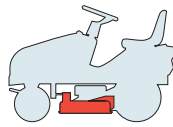
N.	CODE	Q.TY	DESCRIZIONE	DESCRIPTION	DESCRIPTION	BESCHREIBUNG
32	24487997/0	1	COPPIGLIA	COTTER PIN	GOUPILLE	SPLINT
33	35061503/0	1	CINGHIA	BELT	COURROIRE	KEILRIEMEN
34	25270311/0	1	GUIDACINGHIA	BELT GUIDE	GUIDE DE COURROIRE	RIEMENFÜHRUNG
35	12729601/1	2	VITE	SCREW	VIS	SCHRAUBE
36	25270313/0	1	GUIDACINGHIA	BELT GUIDE	GUIDE DE COURROIRE	RIEMENFÜHRUNG
37	12293201/0	2	DADO	NUT	ECROU	MUTTER
38	12155000/0	2	DADO	NUT	ECROU	MUTTER
39	25270312/0	1	GUIDACINGHIA	BELT GUIDE	GUIDE DE COURROIRE	RIEMENFÜHRUNG
40	12293201/0	1	DADO	NUT	ECROU	MUTTER
41	12155000/0	1	DADO	NUT	ECROU	MUTTER
42	12521330/0	1	RONDELLA	WASHER	RONDELLE	SCHEIBE
43	12154510/0	1	DADO	NUT	ECROU	MUTTER
44	25060106/0	2	CARTER	GUARD	CARTER	BLECH
44	25060117/0	2	CARTER (JX)	GUARD (JX)	CARTER (JX)	BLECH (JX)
45	12735110/0	4	VITE	SCREW	VIS	SCHRAUBE
71	82785073/0	1	SUPPORTO	SUPPORT	SUPPORT	HALTER
72	12792611/0	2	VITE	SCREW	VIS	SCHRAUBE
73	12293201/0	2	DADO	NUT	ECROU	MUTTER
74	22672151/0	1	RONDELLA	WASHER	RONDELLE	SCHEIBE
75	82774204/1	1	STAFFA	CLAMP	BRIDE	BRIDE
76	82318135/0	1	LEVA	LEVER	LEVIER	HEBEL
77	25430227/0	1	MOLLA	SPRING	RESSORT	FEDER
78	12692050/0	1	VITE	SCREW	VIS	SCHRAUBE
79	12155000/0	1	DADO	NUT	ECROU	MUTTER
83	12523060/0	1	RONDELLA	WASHER	RONDELLE	SCHEIBE
84	12155010/0	1	DADO	NUT	ECROU	MUTTER
85	84207104/1	1	FILO	WIRE	FIL	KABEL
86	12523060/0	1	RONDELLA	WASHER	RONDELLE	SCHEIBE
87	25394510/0	1	MANOPOLA	KNOB	POIGNEE	GRIFF
88	27430557/0	1	MOLLA	SPRING	RESSORT	FEDER



J JP JT JR JTP JB JX JS

98 S

98 S hydro

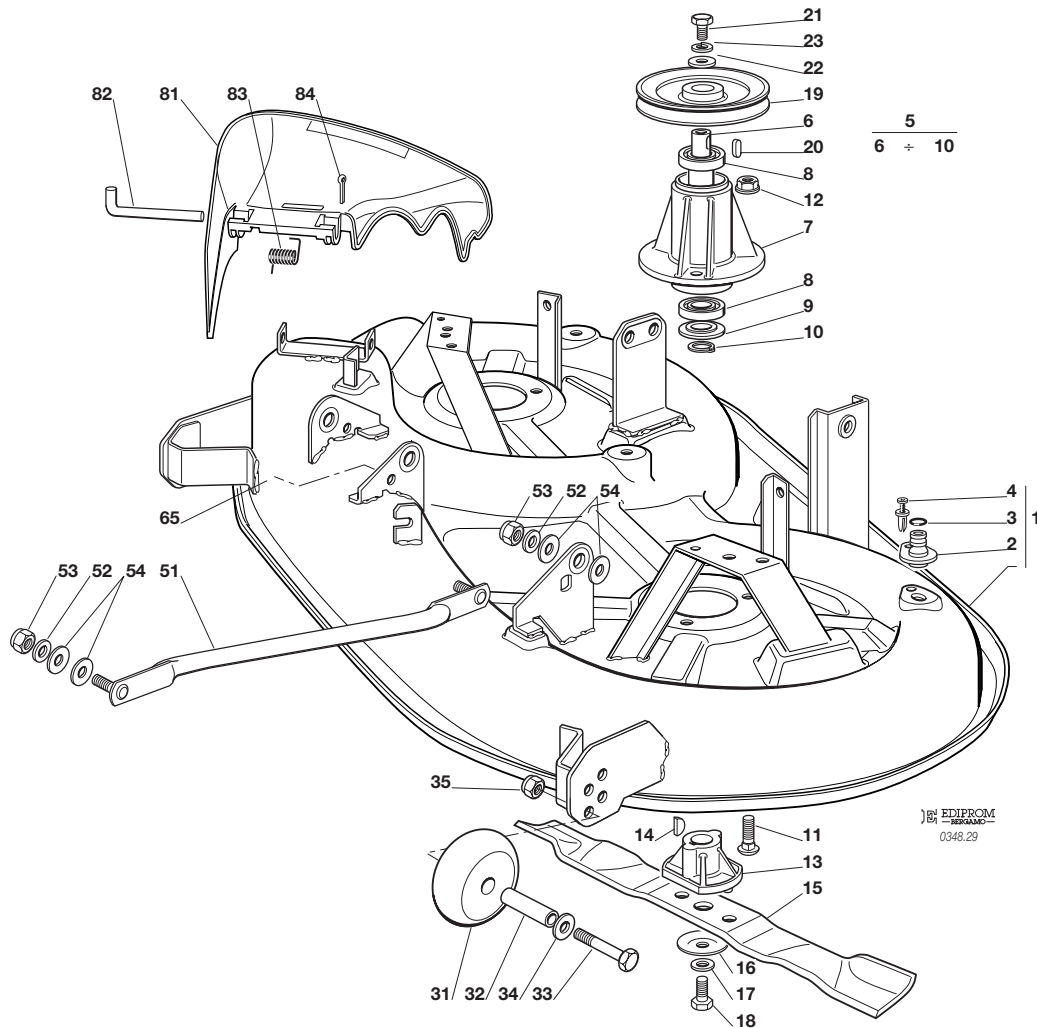


PIATTO DI TAGLIO (2)
CUTTING PLATE (2)
PLATEAU DE COUPE (2)
SCHNEIDWERKZEUG (2)

2007

509.0

1 / 2



EDIPROM
0348.29

N.	CODE	Q.TY	DESCRIZIONE	DESCRIPTION	DESCRIPTION	BESCHREIBUNG
1	82564041/0	1	PIATTO	PLATE	PLATEAU	SCHNEID
2	25033060/0	2	ATTACCO	WATER HOSE CONNECTION	RACCORD TUYAU D'EAU	WASSERANSCHLUSS
3	19035000/0	2	ANELLO OR	O RING	O RING	O RING
4	12500030/0	2	RIVETTO	RIVET	RIVET	NIET
5	82207202/0	2	ASS. FLANGIA (6÷10)	FLANGE ASS.Y (6÷10)	ENSAMBLE BRIDE (6÷10)	NABE, KOMPLETT (6÷10)
6	25020802/0	2	ALBERO	SHAFT	ARBRE	WELLE
7	25207200/0	2	FLANGIA	FLANGE	BRIDE	FLANSCH
8	19216032/0	4	CUSCINETTO	BEARING	ROULEMENT	KUEGELLAGER
9	25160501/0	2	DISCO PARAPOLVERE	DUST COVER	PROTEGE-POUSSIERE	STAUBSCHUTTSCHIEBE
10	12609260/0	2	SEEGER	SEEGER	SEEGER	SEEGER
11	12818700/0	6	VITE	SCREW	VIS	SCHRAUBE
12	12154210/0	6	DADO	NUT	ECROU	MUTTER
13	25463200/0	2	MOZZO COLTELLO	BLADE HUB	MOYEU LAME	MESSERHALTER
14	12139100/0	2	LINGUETTA	KEY	CLAVETTE	KEIL
15	82004346/0	2	COLTELLO	BLADE	LAME	MESSER
16	22160400/0	2	DISCO ELASTICO	SPRING WASHER	RONDELLE ELASTIQUE	SPRENGRING
17	12523080/0	2	RONDELLA	WASHER	RONDELLE	SCHEIBE
18	12735694/0	2	VITE	SCREW	VIS	SCHRAUBE
19	25601571/0	2	PULEGGIA	PULLEY	POULIE	RIEMENSCHIEBE
20	12139480/0	2	CHIAVETTA	KEY	CLAVETTE	KEIL
21	12793102/0	2	VITE	SCREW	VIS	SCHRAUBE
22	25670007/0	2	RONDELLA	WASHER	RONDELLE	SCHEIBE
23	12583500/0	2	GROWER	GROWER	GROWER	GROWER
31	82700002/0	2	RUOTINO ANTISCALPO	ANTI SCALP WHEEL	ROULETTES ANTISCALP	SKALPIERSCHUTZRÄDCHEN
32	25510072/0	2	DISTANZIALE	SPACER	ENTRETOISE	ENTFERNUNGSSTÜCK
33	12692050/0	2	VITE	SCREW	VIS	SCHRAUBE
34	12523060/0	2	RONDELLA	WASHER	RONDELLE	SCHEIBE
35	12293201/0	2	DADO	NUT	ECROU	MUTTER





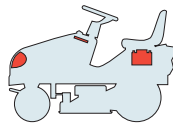
N.	CODE	Q.TY	DESCRIZIONE	DESCRIPTION	DESCRIPTION	BESCHREIBUNG
—	82564040/0	1	PIATTO DI TAGLIO ASSEMBLATO (008, 1÷43 + 009, 1÷35)	CUTTING PLATE, ASSEMBLED (008, 1÷43 + 009, 1÷35)	PLATEAU DE COUPE, COMPLETE (008, 1÷43 + 009, 1÷35)	SCHNEIDWERKZEUG, KOMPLETT (008, 1÷43 + 009, 1÷35)
51	82000474/1	2	ASTA BILANCIERE	EQUALIZER ROD	TIGE BALANCIER	KIPPEBEL
52	12521360/0	4	RONDELLA	WASHER	RONDELLE	SCHEIBE
53	12156602/0	4	DADO	NUT	ECROU	MUTTER
54	25670008/1	8	RONDELLA	WASHER	RONDELLE	SCHEIBE
81	25600056/0	1	PROTEZIONE USCITA	EXIT PROTECTION	PROTECTION EN SORTIE	AUSWURFSCHUTZ
82	25510073/0	1	PERNO	PIN	PIVOT	BOLZEN
83	25430242/0	1	MOLLA	SPRING	RESSORT	FEDER
84	12141418/0	1	COPPIGLIA	COTTER PIN	GOUPILLE	SPLINT



J JP JT JR JTP JB JX JS

98 S

98 S hydro

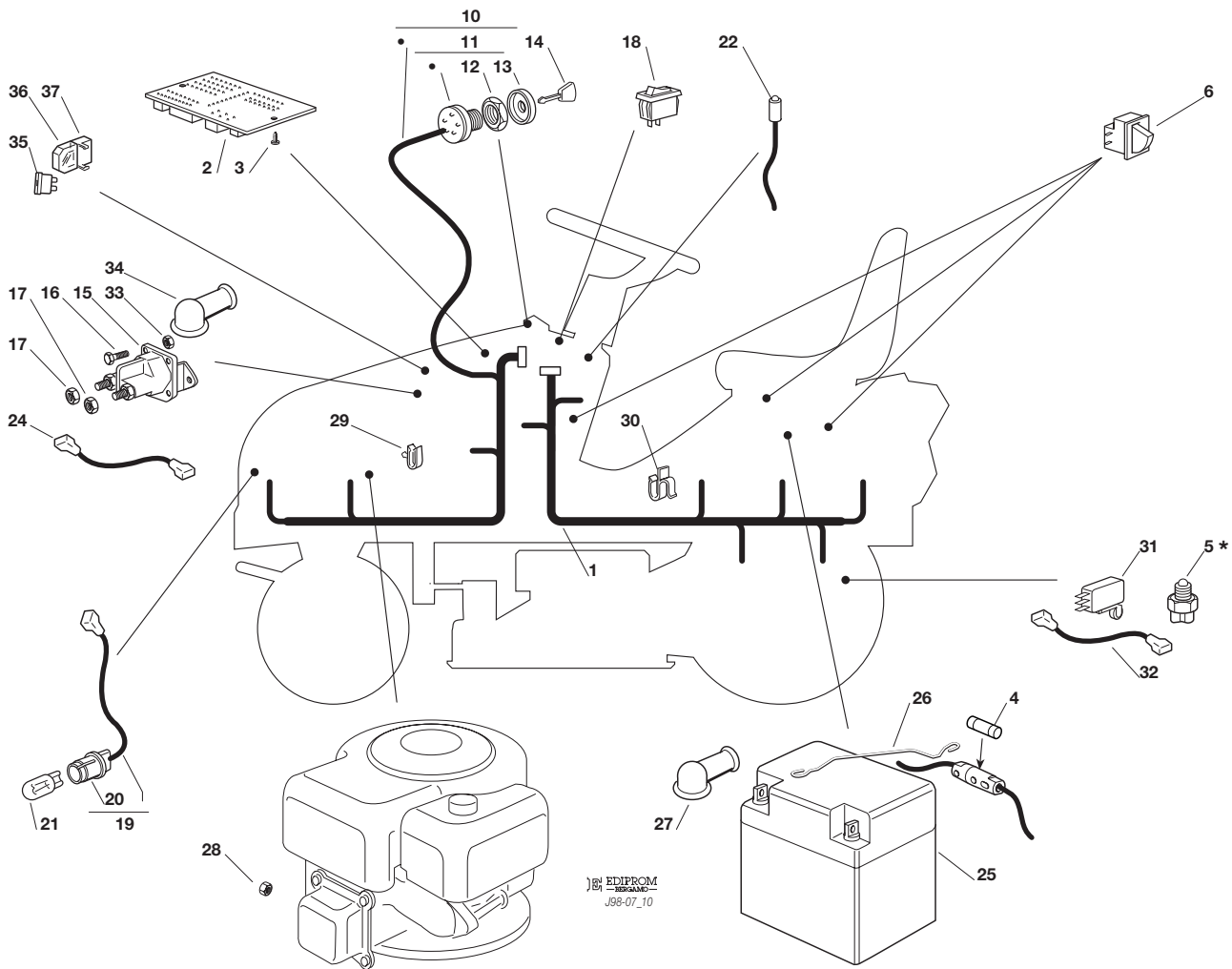


PARTI ELETTRICHE
ELECTRICAL PARTS
PARTIES ELECTRIQUES
ELETRISCHETEILE

2007

510.0

1 / 2



EDIPROM
J98-07_10

N.	CODE	Q.TY	DESCRIZIONE	DESCRIPTION	DESCRIPTION	BESCHREIBUNG
1	82040130/0	1	CABLAGGIO POSTERIORE	CABLES ASS.Y	ENS. CABLAGES	KABELSATZ
2	25722417/1	1	SCHEDA ELETTRONICA	ELECTRONIC CARD	CARTE ELECTRONIQUE	ELEKTRONISCHE KARTE
3	12727810/0	2	VITE	SCREW	VIS	SCHRAUBE
4	33340033/0	1	FUSIBILE 6,3A	FUSE 6,3A	FUSIBLE 6,3A	SICHERUNG 6,3A
5*	-	1	INTERRUTT. CAMBIO (mecc.)	GEARBOX SWITCH (mech.)	INT. BOÎTE DE VITESSE (mec.)	ANTRIEB SCHALTER (mech.)
6	19410606/0	3	MICRO INTERRUTTORE	MICROSWITCH	MICROINTERRUPTEUR	MIKROSCHALTER
10	82040128/0	1	CABLAGGIO ANTERIORE	CABLES ASS.Y	ENS. CABLAGES	KABELSATZ
11	18450065/1	1	INTERRUTTORE AVVIAM.	STARTING SWITCH	INTERRUPTEUR DEMARR.	SCHALTER
12	18400861/0	1	GHIERA	RINGNUT	EMBOUT	NUTMUTTER
13	18565351/0	1	PROTEZIONE GHIERA	RINGNUT PROTECTION	PROTECTION EMBOUT	NUTMUTTER SCHUTZ
14	18210016/1	1	CHIAVE AVVIAMENTO	STARTING KEY	CLEF A DEMARRAGE	SCHLÜSSEL FÜR START
15	18736111/0	1	RELÉ AVVIAMENTO	STARTER RELAY	RELAIS D'ALLUMAGE	ANLASSRELAIS
16	12791213/1	2	VITE	SCREW	VIS	SCHRAUBE
17	12360352/0	2	DADO	NUT	ECROU	MUTTER
18	18450060/1	1	INTERRUTTORE	FARILAMP SWITCH	INTERRUPTEUR PHARES	LICHTEN SCHALTER
19	82040070/0	1	CAVO FARI	CABLE	CABLES	KABEL
19	82040073/0	1	CAVO FARI (JX - JS)	CABLE (JX - JS)	CABLES (JX - JS)	KABEL (JX - JS)
20	33500030/0	2	PORTALAMPADE	LAMP HOLDER	DOUILLE DE LAMPE	SCHEINWERFERLAMPE
21	18459100/0	2	LAMPADA	FARILAMP FOR LIGHTS	LAMPE POUR PHARES	LAMPENFASSUN
22	25065014/1	1	CAVO LED SEGNALAZIONE	CABLE	CABLES	KABEL
24	25065017/0	1	CABLAGGIO SOLEN. AVV.	CABLES ASS.Y	ENS. CABLAGES	KABELSATZ
25	18120002/1	1	BATTERIA	BATTERY	BATTERIE	BATTERIE
26	25430230/0	1	MOLLA	SPRING	RESSORT	FEDER
27	18564861/1	1	CAPPUCCIO	PROTECTION	CAPUCHON	STECKER
28	12361005/0	1	DADO	NUT	ECROU	MUTTER
29	33320506/0	4	FERMACAVO	FAIRLED	FIXATION CABLE	KABELBEFESTIGUNG
30	33320504/0	1	FERMACAVO	FAIRLED	FIXATION CABLE	KABELBEFESTIGUNG
31	19410609/0	1	INTERRUTT. FOLLE (hydro)	MICROSWITCH (hydro)	MICROINTERRUPTEUR (hydro)	MIKROSCHALTER (hydro)
32	25065025/0	1	CAVO MICRO FOLLE (hydro)	CABLE (hydro)	CABLES (hydro)	KABEL (hydro)





N.	CODE	Q.TY	DESCRIZIONE	DESCRIPTION	DESCRIPTION	BESCHREIBUNG
33	12292102/0	2	DADO	NUT	ECROU	MUTTER
34	18564864/1	1	CAPPUCCIO	PROTECTION	CAPUCHON	STECKER
35	33340036/0	1	FUSIBILE 25 A	FUSE 25 A	FUSIBLE 25 A	SICHERUNG 25 A
36	33215000/0	1	COPERCHIO	COVER	COUVERCLE	DECKEL
37	33500007/0	1	PORTAFUSIBILE	FUSE CARRIER	TABLEAU DE FUSIBLE	SICHERUNGHALTER

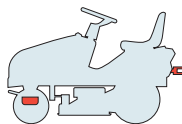
PER LA SOSTITUZIONE DELLE PARTI CONTRASSEGNALE CON «*» RIVOLGERSI AL SERVIZIO ASSISTENZA DEL COSTRUTTORE DELLA TRASMISSIONE.
TO REPLACE THE PARTS MARKED «*» SEEK ASSISTANCE FROM THE TRANSMISSION MANUFACTURER'S AFTER SALES SERVICE.
POUR LE REMPLACEMENT DES PIÈCES MARQUÉES AVEC «*» S'ADRESSER AU SERVICE APRÈS VENTES DU CONSTRUCTEUR DE LA TRANSMISSION.
ZUM AUSTAUSCH DER MIT «*» GEKENNZEICHNETEN TEILE, WENDEN SIE SICH AN DEN KUNDENDIENST DES HERSTELLERS DES ANTRIEBS.



J JP JT JR JTP JB JX JS

98 S

98 S hydro

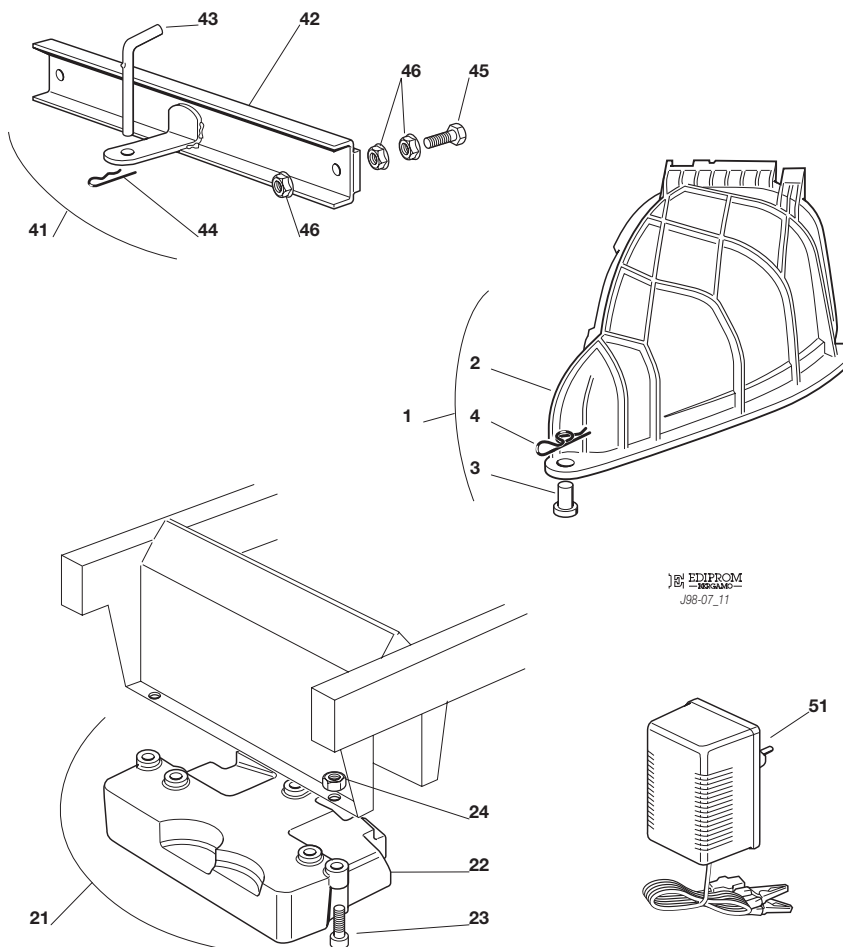


ACCESSORI A RICHIESTA
 OPTIONALS ON REQUEST
 ACCESSOIRES SUR DEMANDE
 ZUBEHOERE NACH ANFRAGE

2007

511.0

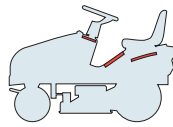
1 / 1



N.	CODE	Q.TY	DESCRIZIONE	DESCRIPTION	DESCRIPTION	BESCHREIBUNG
1	99900040/0	1	KIT PER MULCHING	MULCHING KIT	KIT POUR MULCHING	VORRICHTUNG FÜR MULCHING
2	25190092/0	1	DEFLETTORE	DEFLECTOR	DEFLECTEUR	ABWEISER
3	25510022/0	1	PERNO	PIN	PIVOT	BOLZEN
4	24487998/0	1	COPPIGLIA	COTTER PIN	GOUPILLE	SPLINT
21	99900030/6	1	ASS. KIT PESO ANT.	FRONT WEIGHT KIT	KIT POIDS ANTERIEUR	VORDERGEWICHTVORRICHTUNG
22	25519997/1	1	PESO	WEIGHT	POIDS	GEWICHT
23	12760520/0	3	VITE	SCREW	VIS	SCHRAUBE
24	12155000/0	3	DADO	NUT	ECROU	MUTTER
41	99900080/2	1	ASS. KIT TRAINO	HITCH KIT	KIT DE TRAINAGE	ZUGVORRICHTUNG
42	82033103/1	1	BARRA	ROD	BARRE	STANGE
43	25510021/1	1	PERNO	PIN	PIVOT	BOLZEN
44	24487999/0	1	COPPIGLIA	COTTER PIN	GOUPILLE	SPLINT
45	12793301/0	2	VITE	SCREW	VIS	SCHRAUBE
46	12293201/0	6	DADO	NUT	ECROU	MUTTER
51	82180050/0	1	CARICA BATTERIE	BATTERY CHARGER	CHARGEUR DE BATTERIES	BATTERIELADEGERÄT
	82180052/0	1	CARICA BATTERIE (U.K.)	BATTERY CHARGER (U.K.)	CHARGEUR DE BATTERIES (U.K.)	BATTERIELADEGERÄT (U.K.)

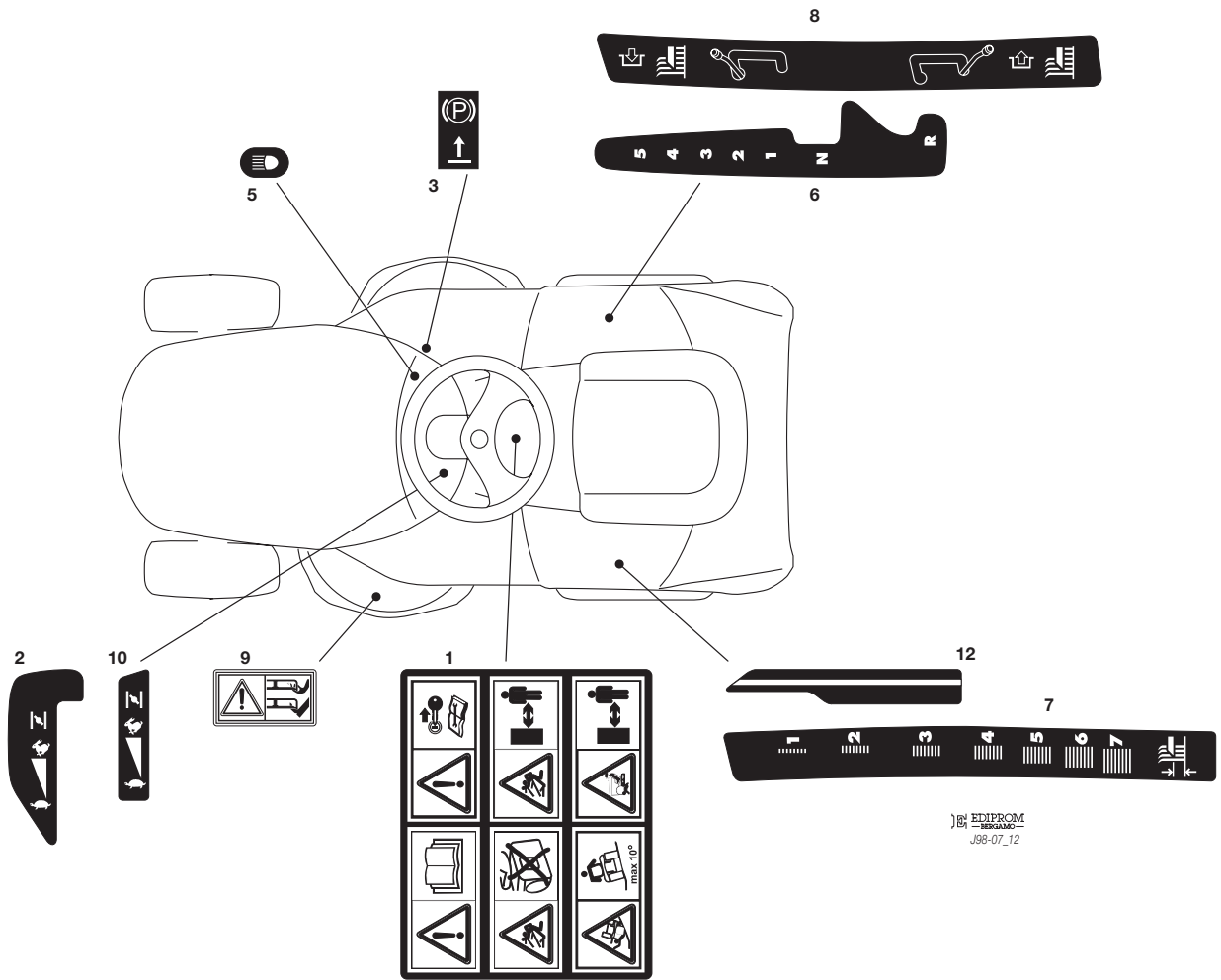


J	JP	JT	JR	JTP	JB	JX	JS
98 S				98 S hydro			



ETICHETTE
LABELS
ETIQUETTES
KLEBZETTEL

2007
512.0
1 / 1



BY EDIPROM
J98-07_12

N.	CODE	Q.TY	DESCRIZIONE	DESCRIPTION	DESCRIPTION	BESCHREIBUNG
1	14358526/0	1	ETICHETTA	LABEL	ETIQUETTE	KLEBZETTEL
2	14357209/1	1	ETICHETTA (J - JP - JTP - JX - JS)	LABEL (J - JP - JTP - JX - JS)	ETIQUETTE (J - JP - JTP - JX - JS)	KLEBZETTEL (J - JP - JTP - JX - JS)
3	14356185/1	1	ETICHETTA	LABEL	ETIQUETTE	KLEBZETTEL
5	14357424/1	1	ETICHETTA	LABEL	ETIQUETTE	KLEBZETTEL
6	14357210/1	1	ETICHETTA (mecc.)	LABEL (mech.)	ETIQUETTE (mec.)	KLEBZETTEL (mech.)
7	14357211/1	1	ETICHETTA	LABEL	ETIQUETTE	KLEBZETTEL
8	14357360/1	1	ETICHETTA	LABEL	ETIQUETTE	KLEBZETTEL
9	14356699/0	1	ETICHETTA	LABEL	ETIQUETTE	KLEBZETTEL
10	14357357/1	1	ETICHETTA (JT - JR - JB)	LABEL (JT - JR - JB)	ETIQUETTE (JT - JR - JB)	KLEBZETTEL (JT - JR - JB)
11	14357361/1	1	ETICHETTA	LABEL	ETIQUETTE	KLEBZETTEL

