

# REPAIR PARTS MANUAL

## 32" - 8 H.P. LAWN TRACTOR

### MODEL C3554-200

1992

#### ONE YEAR LIMITED WARRANTY

For one (1) year from date of purchase by the first consumer for residential use (thirty (30) days commercial use), NOMA Outdoor Products Incorporated warrants that it will replace free of charge, including labor, any original part of any NOMA Outdoor Products Incorporated product found to be defective by any authorized Service Dealer or the factory, except the battery which is warranted for ninety (90) days from date of purchase.

This warranty does not cover engine, transmission, transaxle or differential (these items are covered by their manufacturer's own warranty). This warranty does not cover parts that have failed due to normal wear or parts that have failed subject to misuse or abuse. Transportation of the unit or part to and from an authorized Service Dealer or factory is the responsibility of the owner.

A step by step explanation as to what procedure should be followed for this warranty is:

1. If a part becomes defective, contact the store where the unit was purchased for the name and address of the authorized Service Dealer nearest to you.
2. If you cannot locate an authorized Service Dealer, write Service Department of NOMA Outdoor Products Incorporated for the name and address of the authorized Service Dealer in your area or call the Service Department at 1-901-422-1690.
3. Return the defective product, along with proof of purchase to such authorized Service Dealer for replacement of any defective part where covered by this warranty.

There is no other express warranty. Implied warranties, including those of merchantability and fitness for a particular purpose are limited to one (1) year from date of purchase. Liability for incidental or consequential damages are excluded.

Some states do not allow limitations on how long an implied warranty lasts, so the above limitation may not apply to you. Some states do not allow the exclusion of incidental or consequential damages, so the above exclusion may not apply to you. This warranty gives you specific legal rights, and you may have other rights which vary from state to state.

**NOMA Outdoor Products Incorporated**

**Caller 8000**

**Jackson, TN 38308-8000**

#### UNIT PARTS AND SERVICE

Fill in and mail the registration card packed with the unit. For service other than covered in this manual, contact an authorized service dealer. A nationwide parts and service organization has been established to provide locally available parts and service. A list of authorized parts distributors has been included in this manual. When ordering repair parts, always give the following information: 1. The Part Name; 2. The Part Number; 3. The Quantity desired; 4. The Full (eight digit) Model Number of the unit. The model number will be found on a plate attached to the unit.



Look for this symbol.

It means - **ATTENTION! BECOME ALERT! A HAZARD TO OPERATOR, BYSTANDER, PROPERTY OR EQUIPMENT MAY EXIST.**

**NOMA Outdoor Products Incorporated**

**Caller 8000**

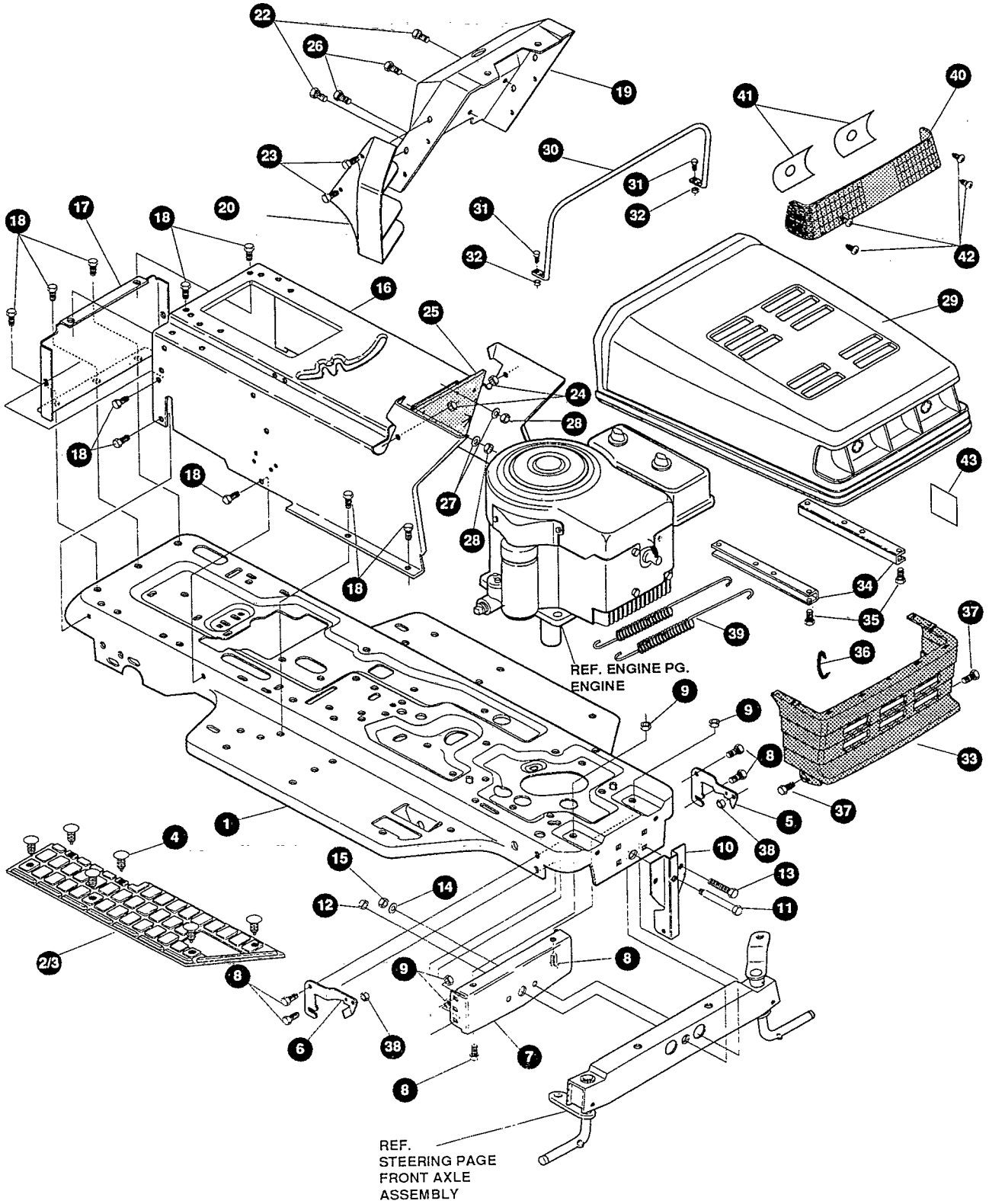
**Jackson, TN 38308-8000**

Part No. 323220A

4791

# 32" LAWN TRACTOR MODEL C3554-200

## CHASSIS & HOOD ASSEMBLY



**NOTE:** ALWAYS USE ORIGINAL EQUIPMENT PARTS. Use of service/replacement parts other than original equipment parts may void your warranty.

ALL UNNUMBERED  
ITEMS ARE INTERCHANGABLE  
WITH OPPOSITE SIDE

323151A

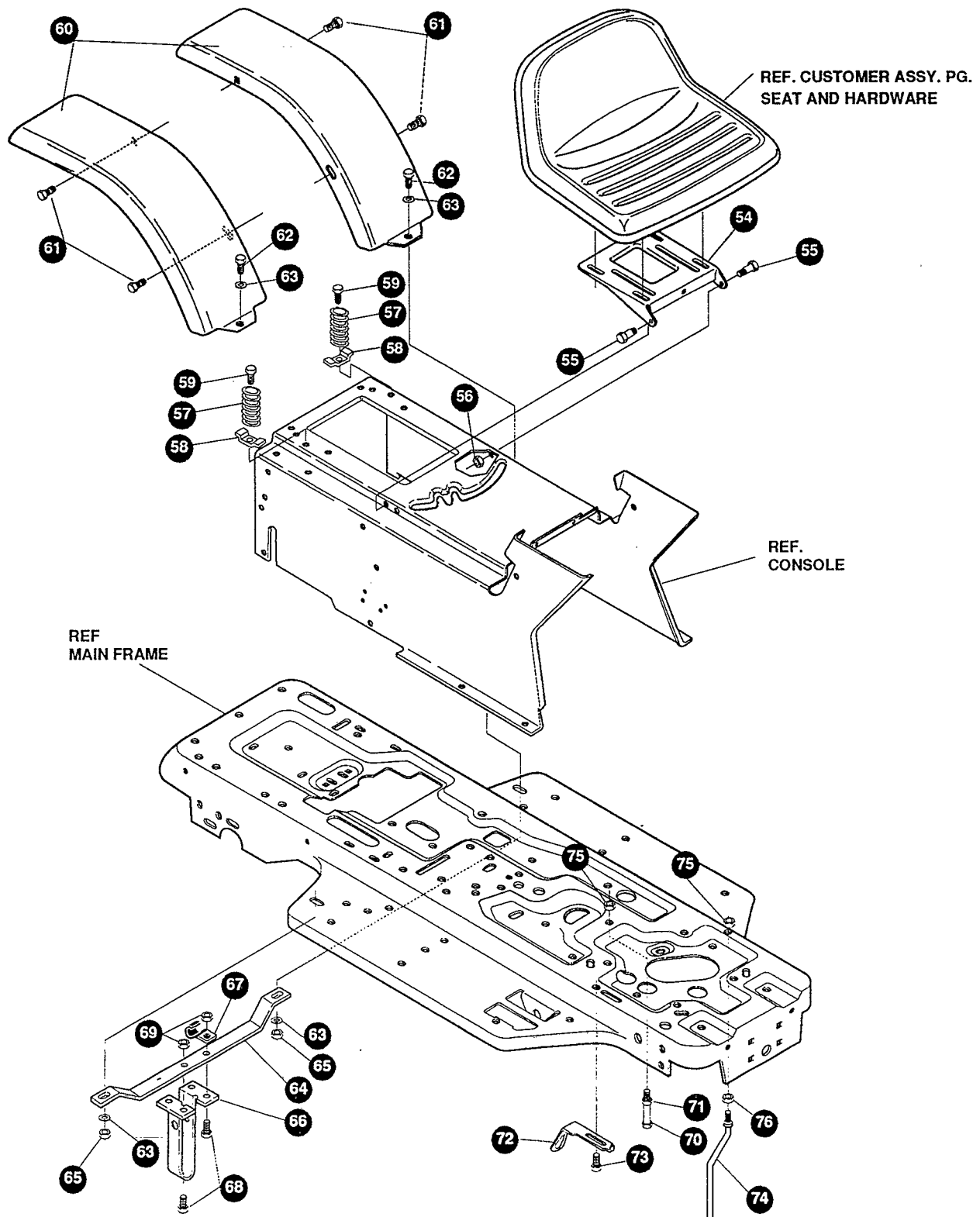
## 32" LAWN TRACTOR MODEL C3554-200

key#	part#	description	qty
1	314883-889	FRAME,MAIN	1
2	310003	FOOTPAD,LH SF MOLDED	1
3	310004	FOOTPAD,RH SF MOLDED	1
4	309235	FASTENER, RATCHET	12
5	313003-853	BRACKET,GRILLE L.H	1
6	313004-853	BRACKET,GRILLE R.H.	1
7	56362-853	BRKT,SUPT FRT AXLE	1
8	◇56030	SCREW, 5/16-18X.75WDFLLK	6
9	◇55273	NUT, 5/16-18 HXWDFLLK	6
10	56261-889	BRACKET, FRONT HANGER	1
11	◇50720	BOLT, .625X2.875 SPSH 1/2-20	1
12	◇274654	NUT, 1/2-20 REGHXCTRLK	1
13	◇122201	SCREW, 3/8-16X2.75 HHC	1
14	◇2483	WASHER, .39IDX1.25DX.07	1
15	◇1499	NUT, 3/8-16 REGHXCTRLK	1
16	309732-889	CONSOLE	1
17	56235-889	CONSOLE, REAR COVER	1
18	◇995346	SCREW, 1/4-20X .50 WAHHTAP	15
19	321278-853	DASH,SM.FR.W/O AMMET	1
20	302723	INSERT,DASH,LH	1
21	302724	INSERT,DASH,RH	1
22	◇995338	SCREW, 1/4-20X .63 HHWATAP	2
23	◇274672	SCREW, 1/4-20X .63 WAHHC	4
24	◇51335	NUT, 1/4-20 WDFLLK	4
25	312306	BAFFLE CONSOLE	1
26	◇300314	SCREW, 1/4-20X .88WAHHTAP	2
27	◇120393	WASHER, FLAT .344X .69X.065	2
28	◇1502	NUT, 1/4-20 REGHEXCTRLK	2
29	307060-689	HOOD	1
30	307278	SUPPORT,HOOD	1
31	◇301542	SCREW, 10-24X1.00HWATAP	4
32	◇271166	NUT, #10-24 HEXKEPS	4
33	302722	GRILLE, SM LWR	1
34	302875-953	BRACKET,TIE.HOOD	2
35	◇35055	SCREW, 10-24X.50 SLHWATAP	8
36	310203	CLIP HOG RING	1
37	◇56676	BOLT, .375X .580 HSH 5/16-18	2
38	◇1498	NUT, 5/16-18 REGHEXCTRLK	2
39	57478	SPRING, HOOD LATCH	2
40	305716	LENS, SMOKED	1
41	304979	FOIL, REFLECTOR LENS- BULB	2
42	◇57796	SCREW, #6 X .50 PLASTITE	4
43	301452	FOIL, HEAT REFLECTOR	1
44	323221	DANISH OPERATOR MANUAL (NOT ILLUSTRATED)	1
45	323220	PARTS MANUAL (NOT ILLUSTRATED)	1

◇ Indicates STANDARD HARDWARE ITEMS.

# 32" LAWN TRACTOR MODEL C3554-200

## CHASSIS & HOOD ASSEMBLY



**NOTE:** ALWAYS USE ORIGINAL EQUIPMENT PARTS. Use of service/replacement parts other than original equipment parts may void your warranty.

ALL UNNUMBERED ITEMS ARE INTERCHANGABLE WITH OPPOSITE SIDE

323151A

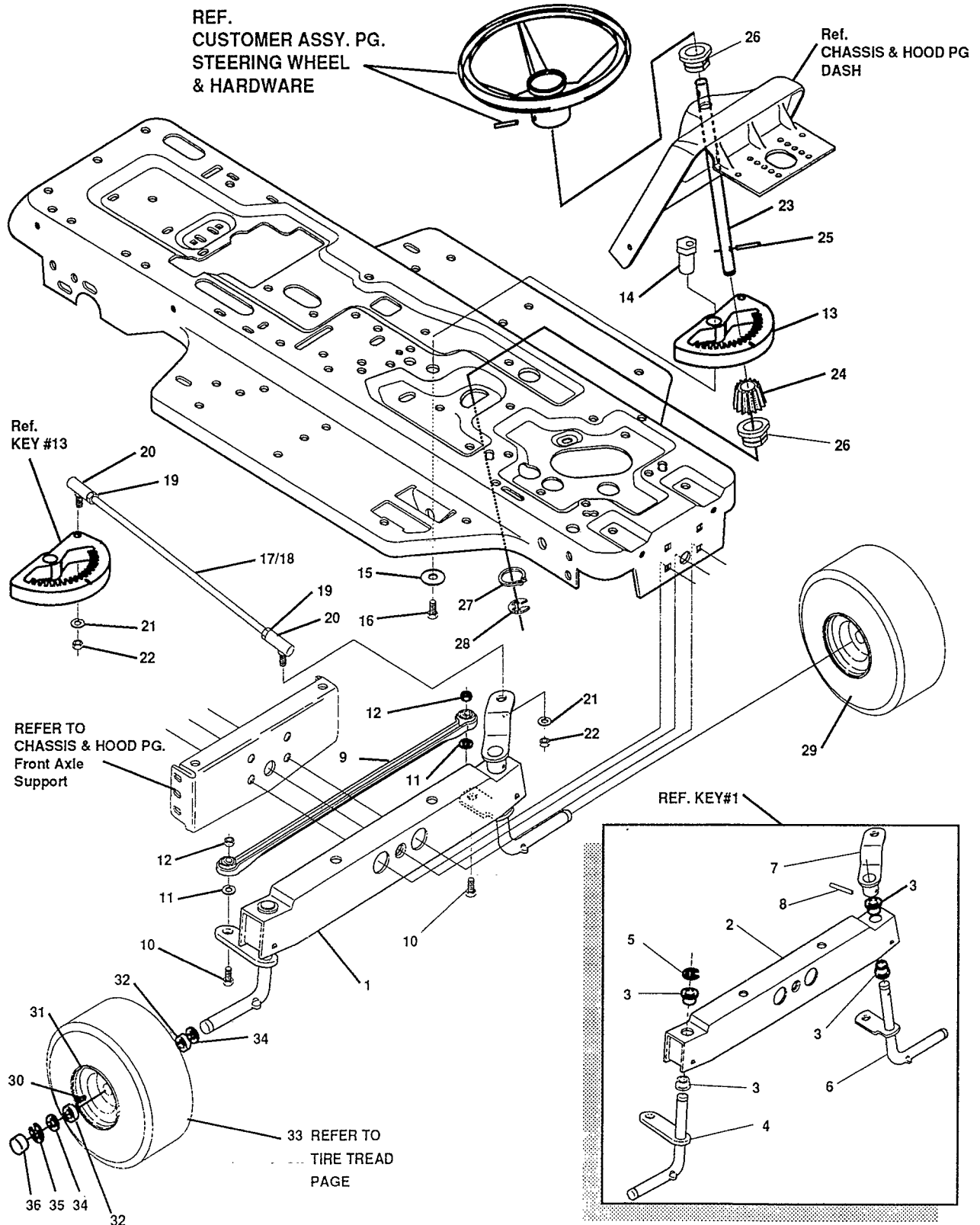
## 32" LAWN TRACTOR MODEL C3554-200

key#	part#	description	qty.
54	58367-889	PLATE, SEAT	1
55	◇ 20507	BOLT, .437X .156 HSH 5/16-18	2
56	◇ 1498	NUT, 5/16-18 REGHEXCTRLK	2
57	56220	SPRING, 1.43X2.38X.162	2
58	300284-953	CLAMP, SPRING 1.17"ID	2
59	◇ 995346	SCREW, 1/4-20X .50 WAHTAP	2
60	43970-889	FENDER	2
61	◇ 995346	SCREW, 1/4-20X .50 WAHTAP	4
62	◇ 122017	SCREW, 5/16-18X1.00 HHC	2
63	◇ 446363	WASHER, FLAT .375X .88X.082	4
64	43964-930	SUPPORT, GUIDE	1
65	◇ 1498	NUT, 5/16-18 REGHEXCTRLK	2
66	49899-930	BRACKET, DECK GUIDE	1
67	57569	RETAINER, .31IDX.62X.03 WIRE	1
68	◇ 122017	SCREW, 5/16-18X1.00 HHC	2
69	◇ 1498	NUT, 5/16-18 REGHEXCTRLK	2
70	◇ 49930	SCREW, 3/8-16X7.25 HHC	1
71	◇ 1499	NUT, 3/8-16 REGHXCTRLK	2
72	302610-853	BRACKET, SWITCH MOUNT	1
73	◇ 995346	SCREW, 1/4-20X .50 WAHTAP	1
74	50653	GUIDE, BELT	1
75	◇ 41529	NUT, 3/8-16 HXCTRLKJAM GRD	1
76	◇ 271190	NUT, 3/8-16 HEXKEPS	1

◇ Indicates STANDARD HARDWARE ITEMS.

# 32" LAWN TRACTOR MODEL C3554-200

## STEERING ASSEMBLY



### 32" LAWN TRACTOR MODEL C3554-200

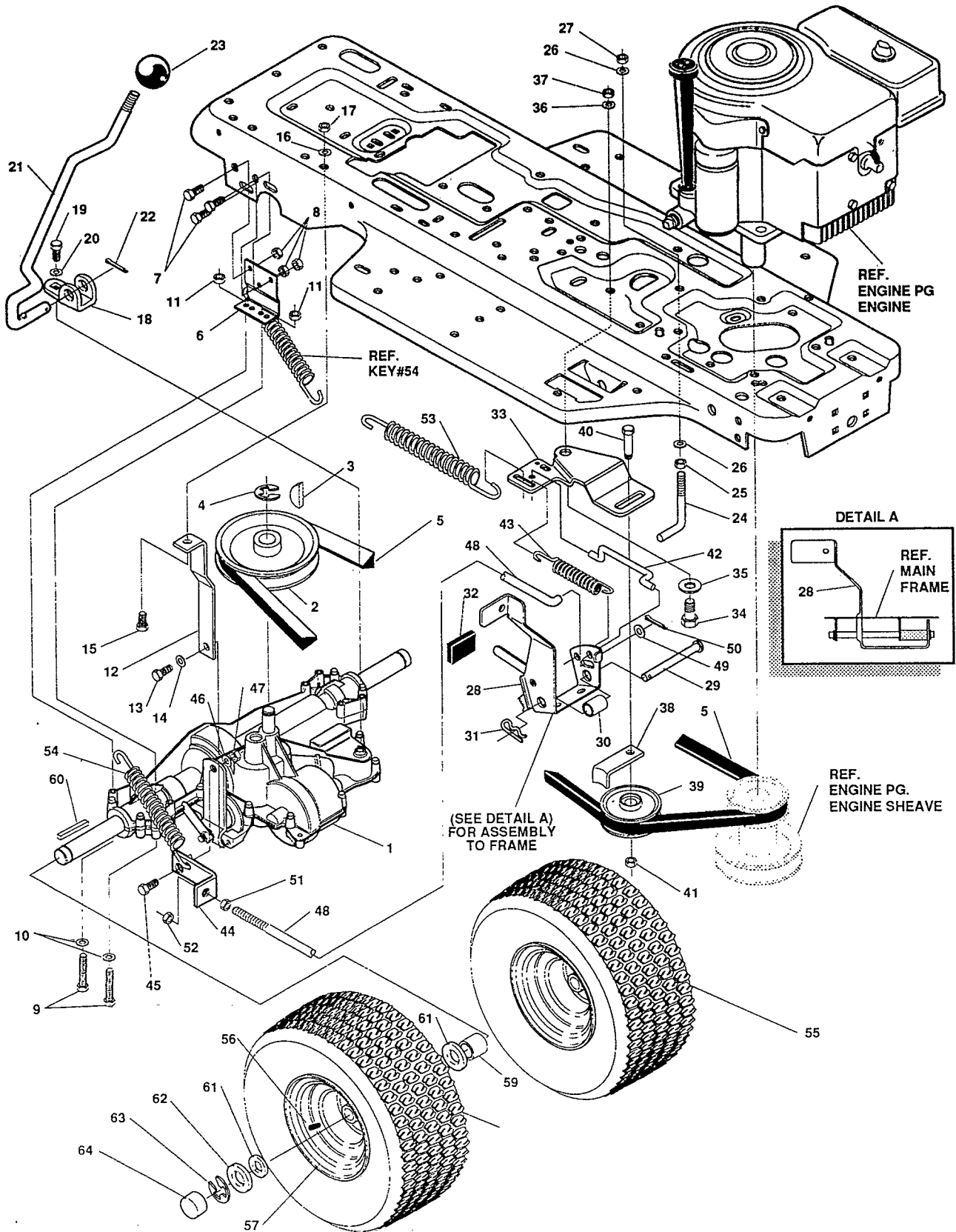
key#	part#	description	qty.
1	*	FRONT AXLE ASSEMBLY	1
2	56400	AXLE, FRONT	1
3	50546	BEARING, FLANGE	4
4	310368	SPINDLE, RH	1
5	36625	RING, RETEX	1
6	310367	SPINDLE, LH	1
7	49447	ARM, STEERING LH	1
8	454565	PIN, SPRING	1
9	302691	TIE ROD	1
10	◇ 122145	SCREW, 3/8-16X1.25 HHC	2
11	◇ 120382	WASHER, .393X.68X.10 REGSPTLK	2
12	◇ 1499	NUT, 3/8-16 REGHCTRLK	2
13	304245	SECTOR, GEAR	1
14	44011	BOLT, .750X1.40 SPSH	1
15	2483	WASHER, .391DX1.25ODX.07	1
16	39573	SCREW, 3/8-24X1.00 NYL	1
17	56191	DRAG LINK ASSEMBLY	1
18	56190	DRAG LINK	1
19	◇ 124925	NUT, 3/8-24 REGHEXJAM	2
20	21275	BALL JOINT	2
21	◇ 120382	WASHER, REGSPTLK	2
22	◇ 120369	NUT, 3/8-24 REGHEX	2
23	44008-930	STEERING SHAFT	1
24	44009	PINION, STEERING SHAFT	1
25	454565	PIN, SPRING	1
26	54902	BEARING, 1.370X.50 FLANGE STEERING	2
27	39492	RING, RETEX 1.27X.05	1
28	36625	RING, RETEX .57X.05	1
29	*	ASSEMBLY, TIRE & RIM	2
30	24167	VALVE STEM	1
31	39937	WHEEL W/BEARING	1
32	39979	BEARING, 1.380DX.753ID FLANGE	2
33		REFER TO TIRE TREAD PAGE	
34	642	WASHER, FLAT .755X1.31X.075	4
35	36625	RING, RETEX .57X.05	2
36	40394	HUB CAP	2

\* Order Individual Parts.

◇ Indicates STANDARD HARDWARE ITEMS.

# 32" LAWN TRACTOR MODEL C3554-200

## MOTION DRIVE ASSEMBLY



**NOTE: ALWAYS USE ORIGINAL EQUIPMENT PARTS.**  
Use of service/replacement parts other than original equipment parts may void your warranty.

**ALL UNNUMBERED  
ITEMS ARE INTERCHANGABLE  
WITH OPPOSITE SIDE**

320304A



### 32" LAWN TRACTOR MODEL C3554-200

key#	part#	description	qty.
1	~	TRANSAXLE FOOTE 4360-3	1
2	302745	PULLEY,V 4L 6.60 OD	1
3	3021	KEY, WDRF 606 .750X.187X.312	1
4	22053	RING, RETEX .58X.04TRU5100-62	1
5	54758	BELT, V 4L 82.00 SF DRIVE	1
6	7707	BRACKET, TRANSAXLE	2
7	◇120228	SCREW, 5/16-18X .63 HHC	6
8	◇1498	NUT, 5/16-18 REGHEXCTRLK	6
9	◇180112	SCREW, 5/16-18X2.75 HHC	4
10	120393	WASHER, FLAT .344X .69X.065	4
11	◇1498	NUT, 5/16-18 REGHEXCTRLK	4
12	309770-930	BRACKET,STABILIZER	1
13	◇35498	SCREW, 5/16-18X .75 WAHTAP	1
14	120638	WASHER, HVSPTLK .328X.60X.09	1
15	◇122017	SCREW, 5/16-18X1.00 HHC	1
16	138485	WASHER, EXLK .320X.61X.03	1
17	◇1498	NUT, 5/16-18 REGHEXCTRLK	1
18	57480	BRKT,SHIFT P920-5/F4360-5&3	1
19	◇56255	SCREW, 1/4-28X .75 NYLHHC	1
20	57157	WASHER,.750X.250	1
21	302283	SHIFT LEVER	1
22	137185	PIN, COTTER .125 DIA X1.00LG	1
23	55514	KNOB,SHIFT NOMA 1/2-13	1
24	49896	BELT GUIDE	1
25	◇271184	NUT, 5/16-18 HEXKEPS	1
26	120393	WASHER, FLAT .344X .69X.0652	2
27	◇1498	NUT, 5/16-18 REGHEXCTRLK	1
28	302603	ASSY,BRAKE PEDAL	1
29	319676	ROD,PIVOT	1
30	302601	SPACER,.53IDX.62DX1.406	1
31	56180	PIN, HAIR	1
32	48761	PAD,CLUTCH/BRAKE PEDAL	1
33	1306	IDLER ARM BRKT TRACTION	1
34	41890	BOLT, .625X .218 HSH 5/16-18	1
35	4107	WASHER, FLAT .635X1.31X.07	1
36	45602	WASHER, FLAT .333X .87X.119	1
37	◇1498	NUT, 5/16-18 REGHEXCTRLK	1
38	39659	RETAINER, STRAP BELT	1
39	35374	PULLEY, IDLER	1
40	45892	BOLT, 3/8-16X1.50 CARR	1
41	◇1499	NUT, 3/8-16 REGHXCTRLK	1
42	43980	ROD, .268 DIA CLUTCH	1
43	50562	SPRING,3/8ODX1.625X.055	1
44	54723-930	BRACKET, BRAKE ROD	1
45	20507	BOLT, .437X .156 HSH 5/16-18	1
46	120393	WASHER, FLAT .344X .69X.065	1
47	◇1498	NUT, 5/16-18 REGHEXCTRLK	1
48	310189-930	BRAKE ROD	1
49	120393	WASHER, FLAT .344X .69X.065	1
50	121222	PIN, COTTER .090/.086X.75LG	1
51	◇271184	NUT, 5/16-18 HEXKEPS	1
52	◇1498	NUT, 5/16-18 REGHEXCTRLK	1
53	49276	SPRING,3/4 ODX6.75X.091	1
54	35410	SPRING .071 X .62 X 4.37	1
55	*	TIRE&RIM ASM,18X6.50-8	2
56	24167	VALVE STEM	1
57	36182	WHEEL HUB	1
58		REFER TO TIRE TREAD PAGE	
59	57479	SPACER, .75 X 1.25 X 1.32	2
60	52928	KEY, SQUARE .187SQX2.25L	2
61	642	WASHER, FLAT .755X1.31X.075	4
62	42815	WASHER, FLAT .755X1.53X.07	2
63	36625	RING, RETEX .57X.05TRU5133-75	2
64	40394	CAP, 1.500ID X 7/8LG HUB	2

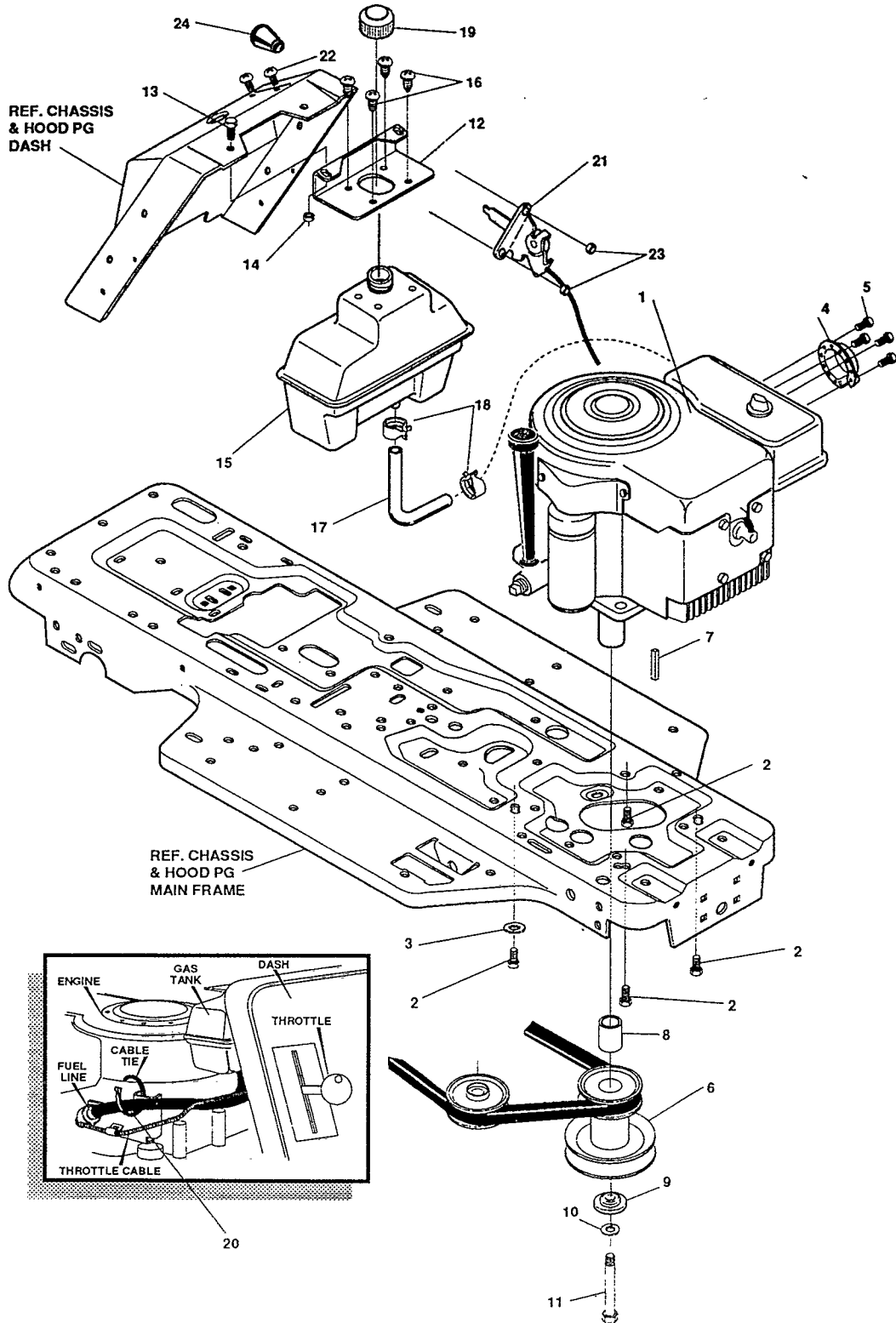
\* Order Individual Parts.

~ Contact your nearest Foote Transaxle Dealer for parts and service.

◇ Indicates STANDARD HARDWARE ITEMS

# 32" LAWN TRACTOR MODEL C3554-200

## ENGINE & CONTROL ASSEMBLY



**NOTE:** ALWAYS USE ORIGINAL EQUIPMENT PARTS. Use of service/replacement parts other than original equipment parts may void your warranty.

**ALL UNNUMBERED ITEMS ARE INTERCHANGABLE WITH OPPOSITE SIDE**

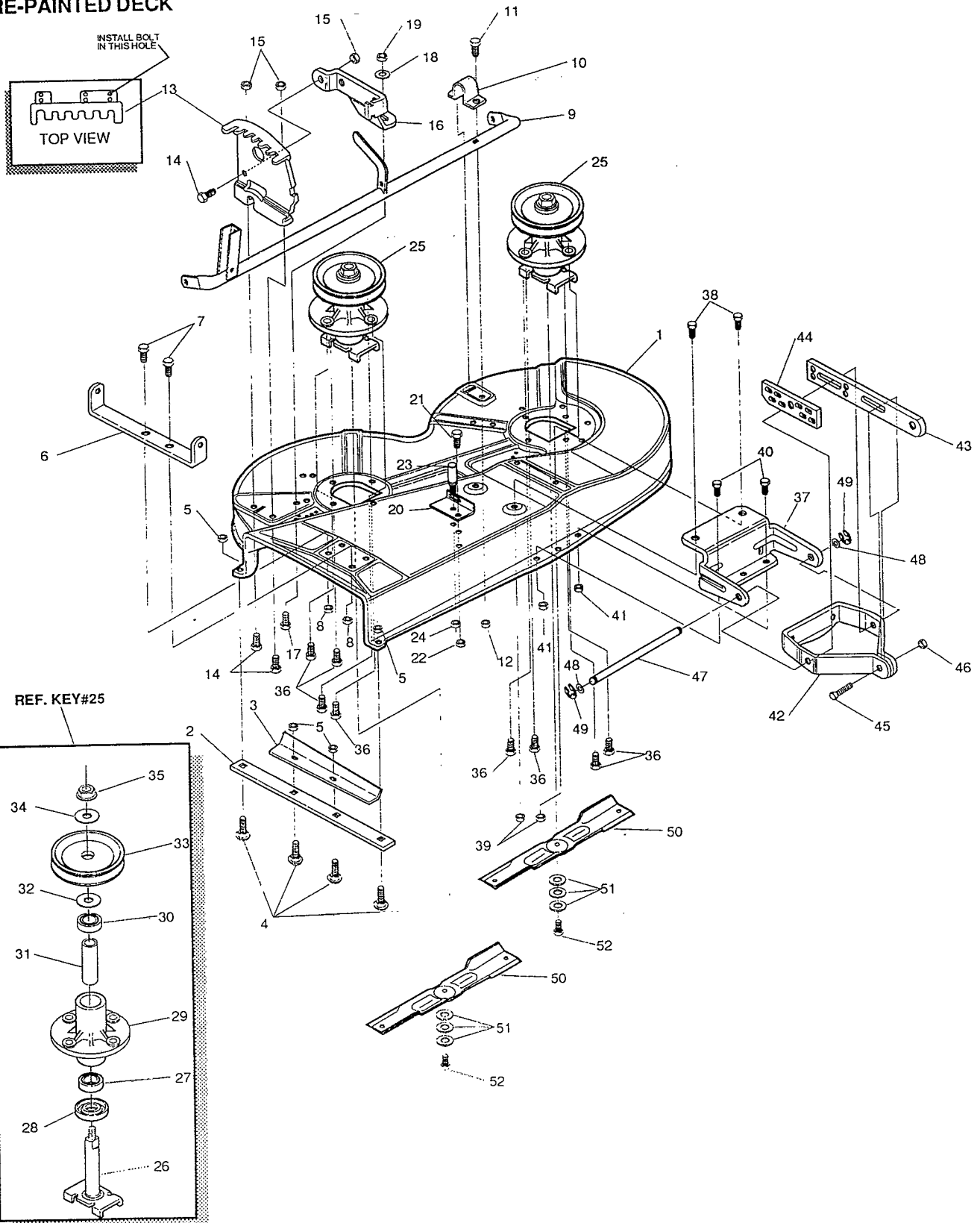
### 32" LAWN TRACTOR MODEL C3554-200

key#	part#	description	qty.
1	ENGINE	8 B&S VER ELEC (SEE ENGINE MANUAL)	1
2	◇ 50947	SCREW, 3/8-16X1.25 WAHHTAP	4
3	138489	WASHER, EXLK .384X.69X.04	1
4	301476	DEFLECTOR SIDE OUT	1
5	◇ 35287	SCREW, #8-32X .38 HHWATAP	4
6	310250	PULLEY,ENGINE	1
7	303151	KEY, SQUARE .249SQX4.50	1
8	304246	SPACER	1
9	56431	WASHER,.980IDX1.38ODX.437PILOT	1
10	120383	WASHER, REGSPTLK.459X.78X.12	1
11	◇ 433146	SCREW, 7/16-20X4.25 HHC	1
12	302814-857	BRACKET,GAS TANK 853	1
13	◇ 55686	SCREW, 1/4-20X .63 SLTRMA	2
14	◇ 51335	NUT, 1/4-20 WDFLLK	2
15	314989	TANK, FUEL 1 GAL	1
16	◇ 49050	SCREW, 1/4-10X .75PHPNTAP	4
17	47452	GAS LINE .25ID BULK LENGTH	14.5IN
18	48672	CLAMP, FUEL LINE	2
19	46704	GAS CAP 1-1/2-7	1
20	57444	TIE,CABLE	1
21	320031	THROTTLE, CONTROL	1
22	◇ 35291	SCREW, 10-24X .50PHPNMA	2
23	271166	NUT, #10-24 HEXKEPS	2
24	50607	KNOB,THROTTLE CONTROL	1

◇ Indicates STANDARD HARDWARE ITEMS.

# 32" LAWN TRACTOR MODEL C3554-200

## PRE-PAINTED DECK



**NOTE:** ALWAYS USE ORIGINAL EQUIPMENT PARTS. Use of service/replacement parts other than original equipment parts may void your warranty.

**ALL UNNUMBERED ITEMS ARE INTERCHANGABLE WITH OPPOSITE SIDE**

12562E

## 32" LAWN TRACTOR MODEL C3554-200

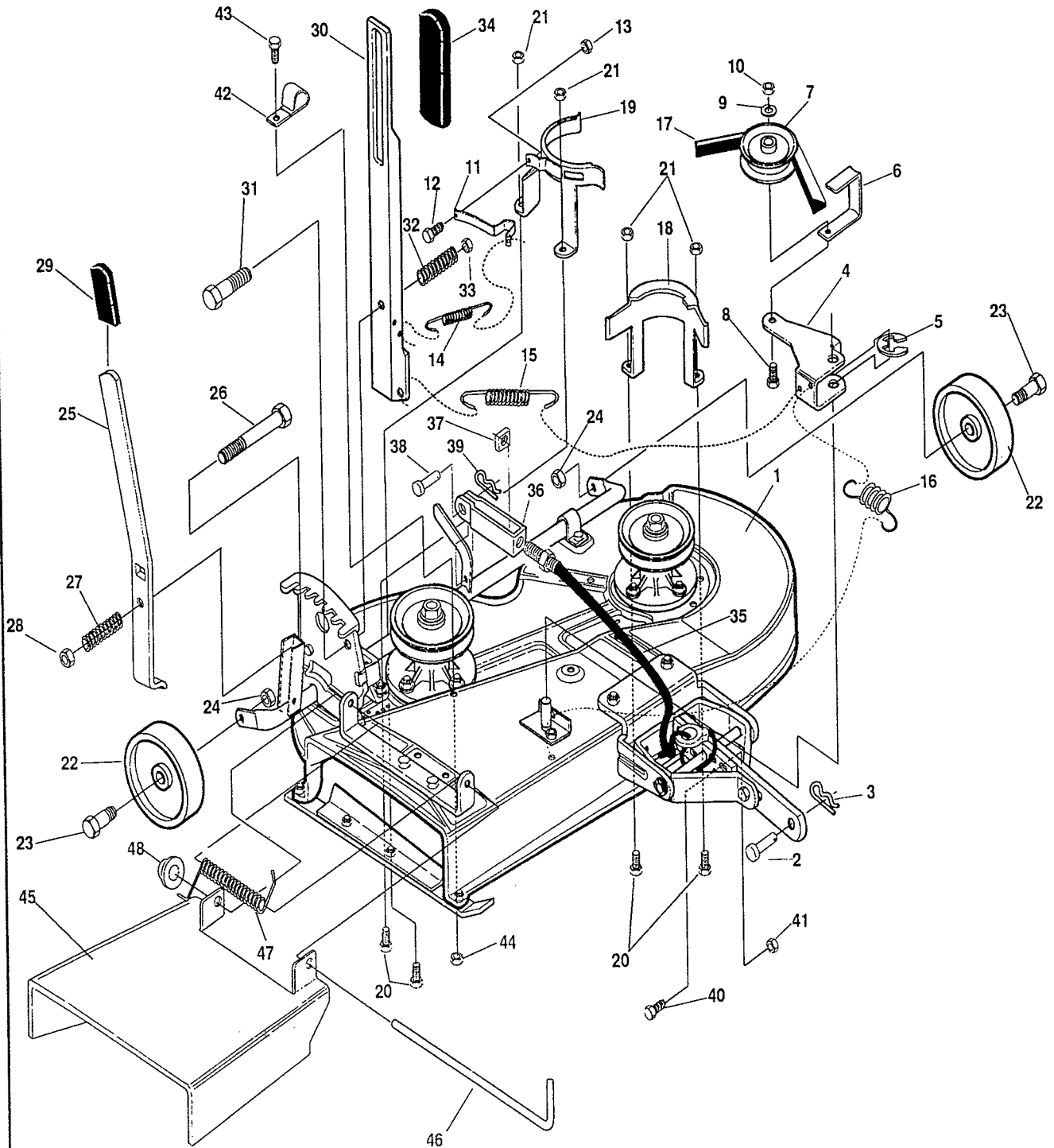
key#	part#	description	qty.
1	12560-853	32"SD DECK	1
2	55370	SKID BAR	1
3	55368	CHUTE DEFL-RIDER	1
4	126216	BOLT, 5/16-18X .75 CARR	4
5	◇ 271184	NUT, 5/16-18 HEXKEPS	4
6	57432	CHUTE PIVOT BRKT	1
7	◇ 122007	SCREW, 5/16-18X .75 HHC	2
8	◇ 1498	NUT, 5/16-18 REGHEXCTRLK	2
9	12561	ASSY.PIVOT TUBE	1
10	51985	SUPPORT,PIVOT TUBE	1
11	◇ 120228	SCREW, 5/16-18X .63 HHC	1
12	◇ 1498	NUT, 5/16-18 REGHEXCTRLK	1
13	12559	BRKT.HEIGHT ADJUST	1
14	◇ 120228	SCREW, 5/16-18X .63 HHC	3
15	◇ 1498	NUT, 5/16-18 REGHEXCTRLK	3
16	53781	BRACE 30"SD DECK	1
17	◇ 180120	SCREW, 3/8-16X .75 HHC	1
18	◇ 120394	WASHER, FLAT .406X .81X.065	1
19	◇ 1499	NUT, 3/8-16 REGHXCTRLK	1
20	57519	BRACKET, SWITCH	1
21	◇ 120228	SCREW, 5/16-18X .63 HHC	1
22	◇ 1498	NUT, 5/16-18 REGHEXCTRLK	1
23	40305	SHOULDER PIN	1
24	◇ 1499	NUT, 3/8-16 REGHXCTRLK	1
25	56283	QUILL, 32/42" ASSEMBLY	2
26	56623	SHAFT/SADDLE ASSY.	1
27	49562	BEARING, BALL	1
28	50616	DUST SHIELD	1
29	55547	QUILL CASTING	1
30	49562	BRNG, BALL	1
31	50818	SPACER,3.797LGX.669IDX.88OD	1
32	56280	SPACER	1
33	56391	QUILL PULLEY	1
34	56365	SPECIAL WASHER	1
35	1282	NUT, 7/16-20 WDFLLK	1
36	50634	SCREW, 5/16-18X .88 WAHHTAP	8
37	48676	LIFT PLATE	1
38	◇ 120228	SCREW, 5/16-18X .75 HHC	2
39	◇ 1498	NUT, 5/16-18 REGHEXCTRLK	2
40	55686	SCREW, 1/4-20X .63 SLTRMA	2
41	◇ 271172	NUT, 1/4-20 REGHEXKEPS	2
42	50613	BRACKET,PIVOT	1
43	49059	BAR, HITCH	1
44	49058	BRACKET, LOCK	1
45	◇ 120918	SCREW, 3/8-16X1.50 HHC	1
46	◇ 1499	NUT, 3/8-16 REGHXCTRLK	1
47	55724	PIN, PIVOT ROD .50DX7.55	1
48	◇ 996425	WASHER, FLAT .515X .88X.064	2
49	20864	RING, RET E .39X.04	2
50	56820	BLADE, 32" LOW-LIFT 16	2
51	2483	WASHER,.39IDX1.25DX.07 BELLVIL	6
52	39573	SCREW, 3/8-24X1.00 NYLHHC	2

◇ Indicates STANDARD HARDWARE ITEMS.

# 32" LAWN TRACTOR MODEL C3554-200

## FINAL DECK ASSEMBLY

\*12562 - DECK ASSY. PRE-PAINT



**NOTE:** ALWAYS USE ORIGINAL EQUIPMENT PARTS.  
Use of service/replacement parts other than original equip-  
ment parts may void your warranty.

**ALL UNNUMBERED  
ITEMS ARE INTERCHANGABLE  
WITH OPPOSITE SIDE**

320590A

### 32" LAWN TRACTOR MODEL C3554-200

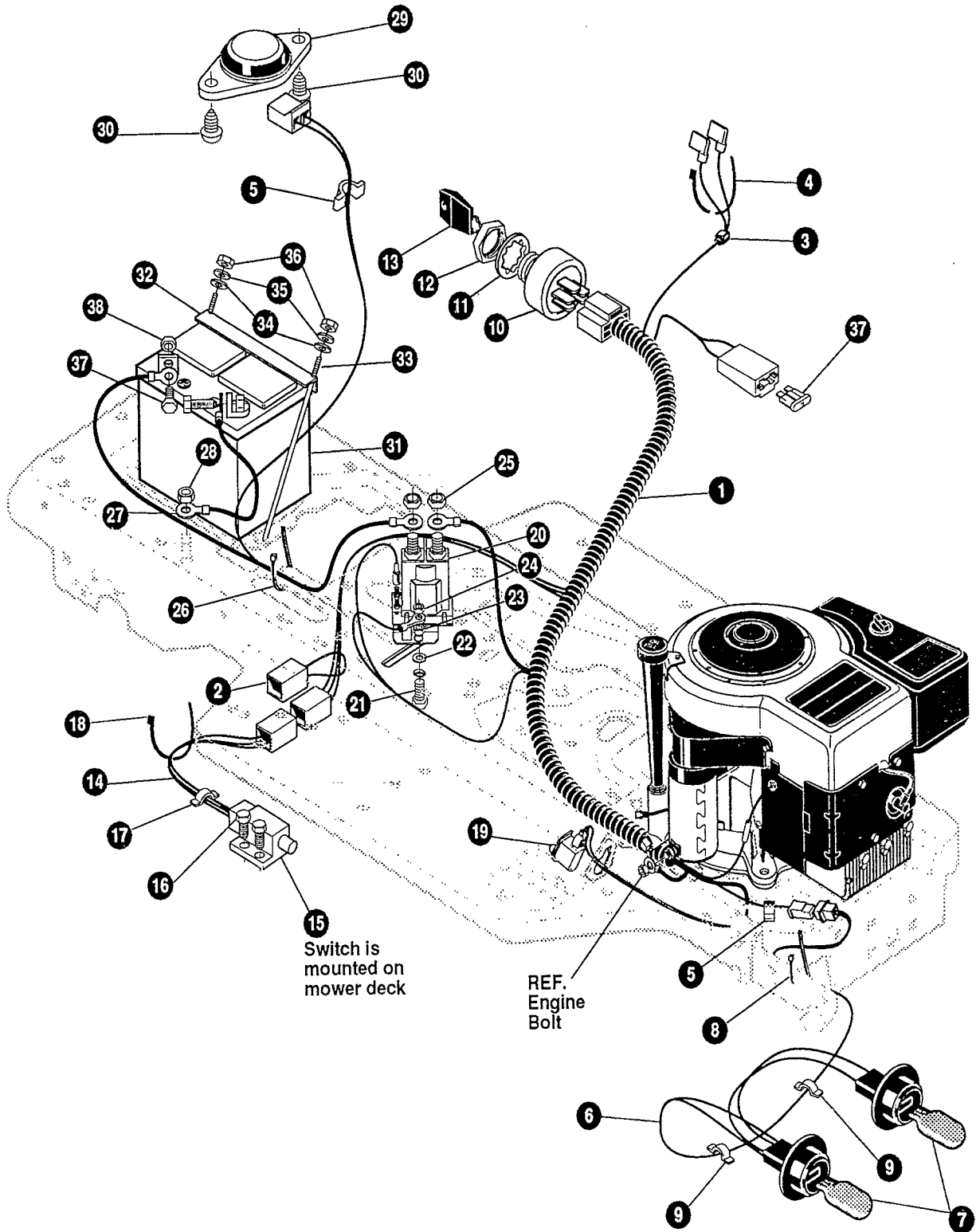
key#	part#	description	qty.
1	*	32" MOWER DECK ASSEMBLY	1
2	47816	PIN, .495X1.750 CLEVIS-SHORT	1
3	56180	PIN, HAIR .091 DIA X1.62LG	1
4	304883	BRACKET IDLER 32SD	1
5	20864	RING, RET E .39X.04	1
6	3382	RETAINER, STRAP BELT	1
7	39498	IDLER PULLEY, DRIVE	1
8	◇ 122181	SCREW, 3/8-16X2.00 HHC	1
9	120382	SPLIT LOCKWASHER .393 X .68 X .10 Z	1
10	◇ 120377	NUT, 3/8-16 REGHX	1
11	44992	BELT BRAKE SPRING	1
12	◇ 443874	SCREW, 10-24X .50 HHMA	1
13	◇ 997316	NUT, #10-24 REGHEXCTRLK	1
14	12556	SPRING,BRAKE RELEASE	1
15	12557	SPRING,DECK ENGAGE	1
16	41357	RETURN SPRING	1
17	45186	BELT, V 4L 63.00	1
18	307652	COVER QUILL L.H	1
19	307653	COVER QUILL R.H.	1
20	◇ 120228	SCREW, 5/16-18X1.00 HHC	4
21	◇ 1498	NUT, 5/16-18 REGHEXCTRLK	4
22	302611	WHEEL, SD 6.00ODX1.38WD SMO	2
23	23763	BOLT, .500X1.656 HSSH 3/8-16	2
24	◇ 1499	NUT, 3/8-16 REGHXCTRLK	2
25	8903	LEVER, HT. ADJ.	1
26	◇ 120696	SCREW, 5/16-18X2.25 HHC	1
27	53246	SPRING	1
28	◇ 1498	NUT, 5/16-18 REGHEXCTRLK	1
29	53995	GRIP HANDLE	1
30	9126	HANDLE, DECK ENGAGE BLK	1
31	◇ 122040	SCREW, 5/16-18X1.50 HHC	1
32	29170	SPRING	1
33	◇ 1498	NUT, 5/16-18 REGHEXCTRLK	1
34	55213	GRIP	1
35	57511	LIFT CABLE	1
36	9405	CLEVIS, LIFT CABLE	1
37	◇ 120372	NUT, 1/4-20 REGSQ	1
38	39522	PIN CLEVIS .312 X .812	1
39	56180	PIN, HAIR .091 DIA X1.62LG	1
40	◇ 120228	SCREW, 5/16-18X .63 HHC	1
41	◇ 1498	NUT, 5/16-18 REGHEXCTRLK	1
42	57569	RETAINER, .31IDX.62X.03 WIRE	1
43	◇ 120228	SCREW, 5/16-18X .63 HHC	1
44	◇ 1498	NUT, 5/16-18 REGHEXCTRLK	1
45	8905	CHUTE, DISCHARGE	1
46	57430	DEFLECTOR CHUTE PIVOT ROD	1
47	57431	SPRING TORSION CHUTE DEF	1
48	57507	PUSH NUT	1

\* Order Individual Parts.

◇ Indicates STANDARD HARDWARE ITEMS.

# 32" LAWN TRACTOR MODEL C3554-200

## ELECTRICAL ASSEMBLY



ALL UNNUMBERED  
ITEMS ARE INTERCHANGABLE  
WITH OPPOSITE SIDE

**NOTE:** ALWAYS USE ORIGINAL EQUIPMENT PARTS.  
Use of service/replacement parts other than original equipment parts may void your warranty.

322209A



### 32" LAWN TRACTOR MODEL C3554-200

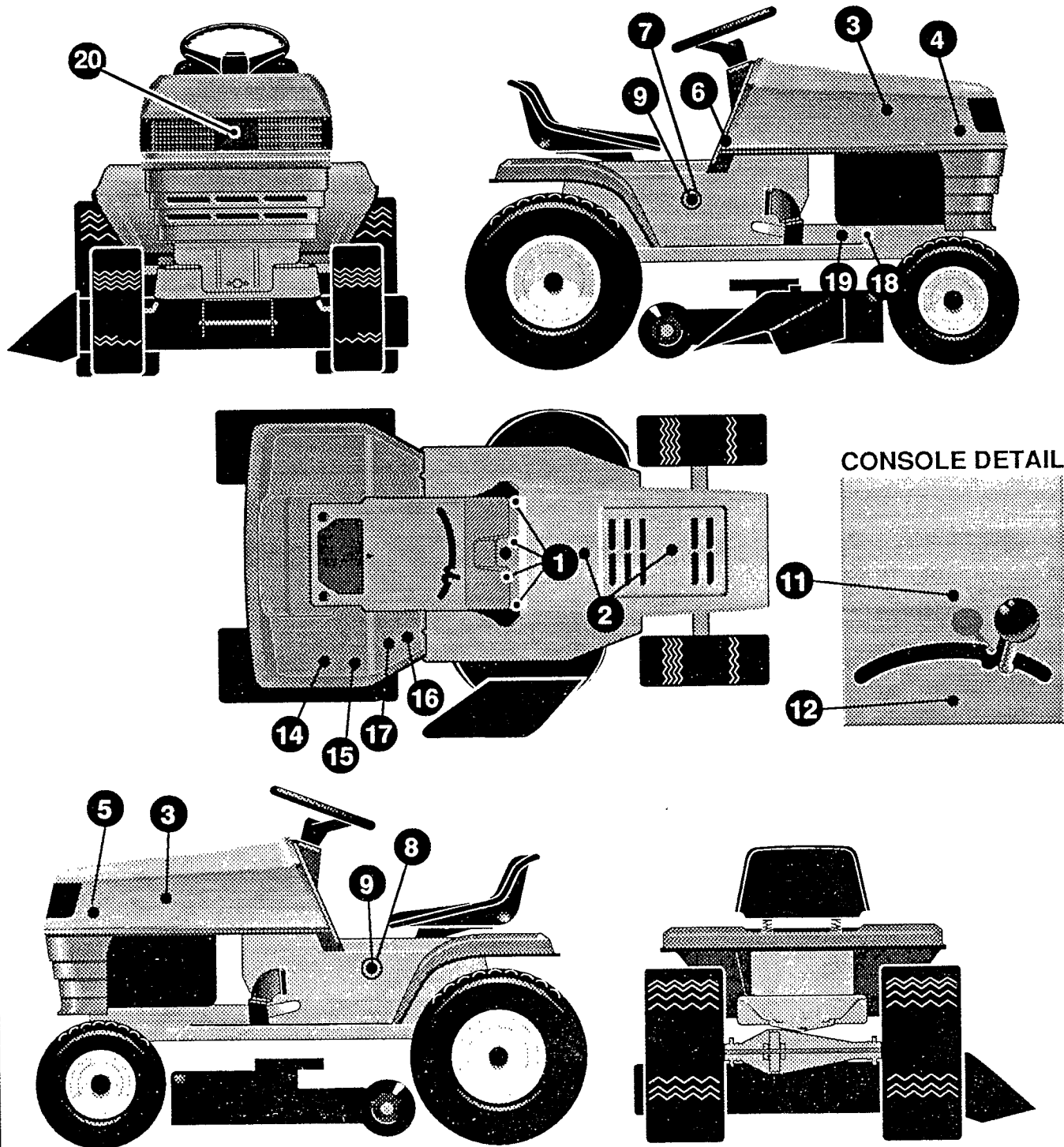
key#	part#	description	qty.
1.	322087	WIRE HARNESS 8-12B&S W/AMM	1
2.	322296	BY-PASS FOR GROUND SUPPORT	1
3.	322298	SPLICER	1
4.	57444	CABLE TIE	1
5.	41482	PRESS CLIP,1.380LG .255ID	2
6.	303064	ASSY,LIGHT WIRE-1/4 TURN	1
7.	52572	BULB, HEADLAMP	2
8.	57444	TIE, CABLE BLACK NYLON 5.62	1
9.	41482	PRESS CLIP,1.380LG .255ID	2
10.	300687	SWITCH, IGNITION & LIGHTS	1
11.	138557	WASHER, REGINTLK.640X1.1X.05	1
12.	• 48140	NUT, 5/8-32 HXHD IGN SWIT	1
13.	49643	2 KEYS & RING, ASSY BLANK	1
14.	57564	HARNESS, 24.5" DECK WIRE	1
15.	57476	SWITCH,SCR MNT DP NC NO BLK	1
16.	• 57220	SCREW, #12 X .50 PHPNHTAP BLK	2
17.	41482	PRESS CLIP,1.380LG .255ID	1
18.	57444	TIE, CABLE BLACK NYLON 5.62	1
19.	300220	SWITCH,SNAPMNT NO .055/.116BLK	1
20.	53716	SOLENOID	1
21.	• 187745	SCREW, 1/4-20X .75 HXSEMMA	2
22.	1084	WASHER,FLAT .281X1.00X.063	1
23.	• 1502	NUT, 1/4-20 REGHEXCTRLK	2
24.	• 271172	NUT, 1/4-20 REGHEXKEPS	1
25.	• 271187	NUT, 5/16-24 HKEPS	2
26.	57444	TIE, CABLE BLACK NYLON 5.62	1
27.	55511	WIRE, GROUND, 12.5"	1
28.	• 271184	NUT, 5/16-18 HEXKEPS	1
29.	57547	SWITCH, SEAT	1
30.	• 160505	SCREW, 1/4-20X .38PHPNHMAGR2	2
31.	302257	BATTERY, YUASA 12V 7-PLATE	1
32.	56360	BATTERY BRACKET	1
33.	40234	BATTERY ROD	2
34.	120392	WASHER, FLAT .281X .63X.065	2
35.	120380	WASHER, REGSPTLK.263X.49X.07	2
36.	• 120375	NUT, 1/4-20 REGHEX	2
37.	• 120854	SCREW, 1/4-20X .63 HHC	2
38.	• 271172	NUT, 1/4-20 REGHEXKEPS	2
39.	••302031	FUSE, 15 AMP SPADE TYPE	1

• INDICATES STANDARD HARDWARE ITEMS  
 ••Spade type fuse included with the wire harness.

#### SCHEMATIC DRAWING

# 32" LAWN TRACTOR MODEL C3554-200

## DECALS

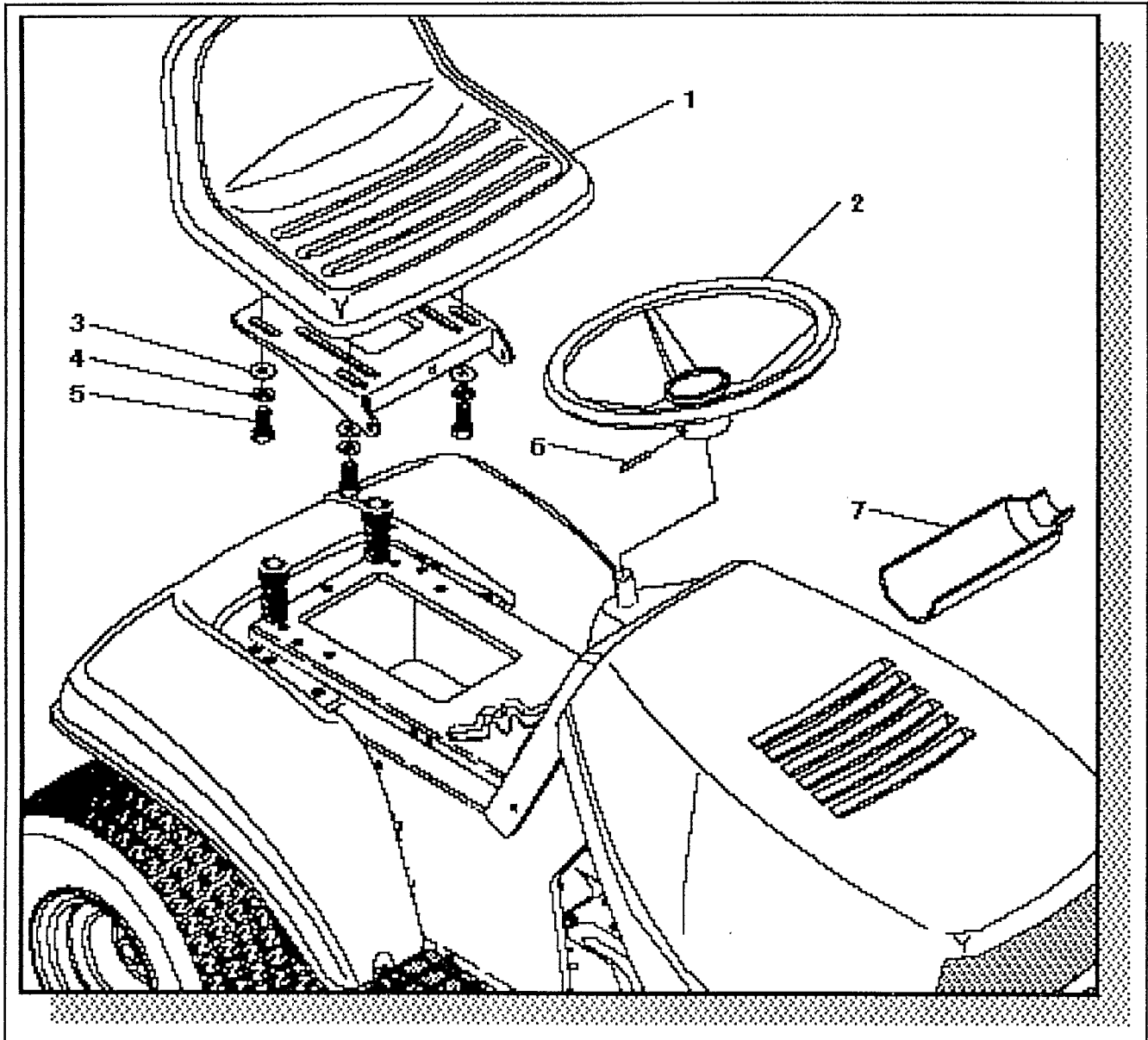


### 32" LAWN TRACTOR MODEL C3554-200

key#	part#	description	qty.
1.	318197	PAD, ADHESIVE 1.00 X 1.50 X .12	4
2.	305602	FOAM, HOOD 4 X 15	2
3.	305603	PAD, 18 X 6 FOAM HOOD	2
4.	312018	DECAL, HOOD SIDE, RH 832 TEX H12	1
5.	312019	DECAL, HOOD SIDE, LH 832 TEX H12	1
6.	320721	DECAL, DASH PLAIN EXPORT	1
7.	312016	DECAL, CONSOLE SIDE R TEXAS SF	1
8.	312017	DECAL, CONSOLE SIDE L TEXAS SF	1
9.	300556	NAMEPLATE 8/32	1
10.		REFERENCE ONLY	1
11.	307047	DECAL, 3-SPEED CONSOLE TOP	1
12.	307376	DECAL, INSTRUCTION CONS DANISH	1
13.		REFERENCE ONLY	1
14.	68900	DECAL, BLADE ENGAGE, EUROPE	1
15.	68901	DECAL, BLADE HEIGHT ADJ. EUROPE	1
16.	305770	DECAL, CAUTION TRIANGLE, EUROPE	1
17.	307377	DECAL, WARNING, DANISH	1
18.	67667	DECAL, CHECK OIL LEVEL	1
19.	68903	DECAL, BRAKE/CLUTCH, EUROPE	1
20.	307732	DECAL, LENS CENTER, SMOKE	1

32" LAWN TRACTOR MODEL C3554-200

CUSTOMER ASSEMBLY

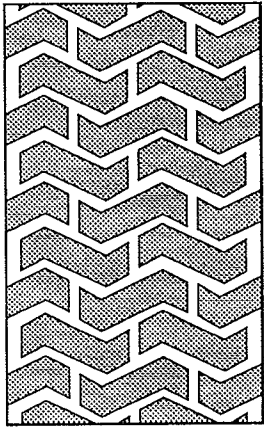


**CUSTOMER ASSEMBLY VIEW**

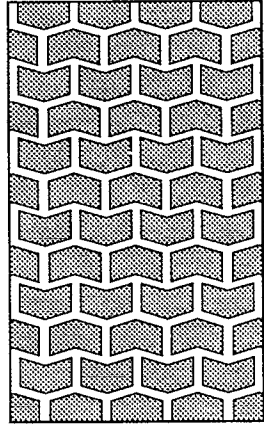
315108 PARTS BAG ASSY QTY1

key#	part#	decription	qty
1	57452	SEAT MV350	1
2	301251	STEERING WHEEL	1
3	120393	WASHER, FLAT .344X.69X.065	4
4	120638	WASHER, HVSP LTK .328X.60X.109	4
5	122007	SCREW, 5/16-18X.75 HHC	4
6	456378	ROLL PIN .250DIAX2.0LG	1
7	54873	OIL TROUGH	1

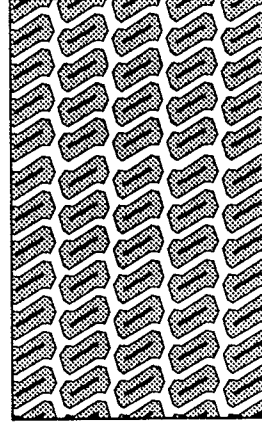
# TREAD PATTERNS



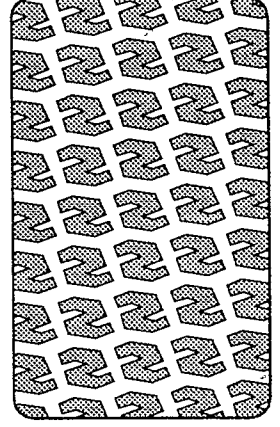
**"A"**



**"B"**



**"C"**



**"D"**

TIRE SIZE	"A"	"B"	"C"	"D"
11 X 4.00 - 5	42295	319679		
13 X 5.00 - 6	41060	319680		
15 X 6.00 - 6	39830	316702	301140	313952
16 X 6.50 - 8	41081	319682		314539
18 X 8.50 - 8	319683	317400		
18 X 9.50 - 8	41106	316701		313950
20 X 8.00 - 8	319685	319684	57164	314584
20 X 10.00 - 8	58276	319686		313654
20 X 10.00 - 10	55893	319687		
23 X 9.50 - 12	53655	319690	319689	314370

## ACCESSORIES

Contact the dealer where your tractor was purchased for the available accessories. If you are unable to contact the dealer, write to the address on the front cover of this manual.

### Rear Engine Rider

Model	Description
5708-16	Bagger - Fits 32" Side Discharge
5708-17	Bagger - Fits 36" Side Discharge
5709-02	Front Weight Box - holds 35 lbs.
5648-16	Lawn Sweeper w/dump Release

### Lawn Tractor

Model	Description
5708-22	Bagger - Fits 30" Side Discharge
5708-13	Bagger - Fits 36", 38", 39" & 45" Side Discharge
5705-04	36" Two-Stage Snowblower - Fits 36", 38", 39", & 45" Side Discharge
5661-06	42" Snowblade - Fits 36", 38", 39", & 45"
5592-00	Tire Chains - 18" x 6.50"
5585-00	Tire Chains - 18" x 9.50" & 20" x 8"
5672-01	Wheel Weights - Front - 1 pr. w/mtg. hdw. - Fits 15" tires
5673-02	Wheel Weights - Rear - 1 pr. w/mtg. hdw. - Fits 18" & 20" tires
5709-03	Front Weights - Fits 30" & 32" Side Discharge
5648-16	Lawn Sweeper w/dump Release

### Garden Tractor - Light Ground Engaging

Model	Description
5708-13	Bagger - Fits 36", 38", 39", & 45" Side Discharge
5705-04	36" Two - Stage Snowblower - Fits 36", 38", 39", & 45"
5661-06	42" Snowblade - Fits 36", 38", 39", & 45"
5672-01	Wheel Weights - Front 1 pr. w/mtg. hdw. - Fits 15" tires
5673-02	Wheel Weights - Rear - 1 pr. w/mtg. hdw. - Fits 18" & 20" tires
5648-16	Lawn Sweeper w/dump Release
5667-02	Sleeve Hitch - w/lift bar - Fits 45"
5668-01	Adaptor (sleeve hitch) for use w/23" tires
5706-00	Tire Chains - 20" x 10"
5671-00	Tire Chains - 23" x 9.50"
5672-02	Wheel Weights - Front - 1 pr. w/mtg. hdw. Fits 16" tires
5673-00	Wheel Weights - Rear - 1 pr. w/mtg. hdw. Fits 23" tires
5674-01*	10" One Bottom Moldboard Plow
5675-01*	Cultivator - 7 row - Adj. 6" - 42" width
5676-01*	Disc Harrow - 8" & 11" disc - Adj. width & disc angle
5677-02*	Tiller - 5 H.P. Self-Powered - 28" width

### Four Wheel Steer

Model	Description
5708-14	Bagger - Fits 40" & 46" Side Discharge
5705-05	42" One-Stage Snowblower - Fits 40" & 46"
5661-07	48" Snowblade - Fits 40" & 46"
5709-04	Rear Weight Box for 40" & 46"
5648-16	Lawn Sweeper w/dump Release
5706-00	Tire Chains 20" x 10"
5671-00	Tire Chains 23" x 9.50"
5672-02	Wheel Weights - Front - 1 pr. w/mtg. hdw. Fits 16" tires
5673-00	Wheel Weights - Rear - 1 pr. w/mtg. hdw. Fits 23" tires
5672-01	Wheel Weights - Front - 1 pr. w/mtg. hdw. Fits 15" tires

### Two Wheel Steer Garden Tractor

Model	Description
5667-04	Sleeve Hitch - w/lift bar Fits 46"
5674-01*	10" One Bottom Moldboard Plow
5675-01*	Cultivator - 7 row - Adj. 6" - 42" width
5676-01*	Disc Harrow 8" & 11" Disc. Adj. width & disc angle
5677-02*	Tiller 5 H.P. Self-Powered - 28" width

\*Requires a sleeve hitch