

# REPAIR PARTS MANUAL

## 18 H.P. LIGHT GROUND ENGAGING TRACTOR

### MODEL 4518-2700 18-45

#### ONE YEAR LIMITED WARRANTY

For one (1) year from date of purchase by the first consumer for residential use (thirty (30) days commercial use), NOMA Outdoor Products Incorporated warrants that it will replace free of charge, including labor, any original part of any NOMA Outdoor Products Incorporated product found to be defective by any authorized Service Dealer or the factory, except the battery which is warranted for ninety (90) days from date of purchase.

This warranty does not cover engine, transmission, transaxle or differential (these items are covered by their manufacturer's own warranty). This warranty does not cover parts that have failed due to normal wear or parts that have failed subject to misuse or abuse. Transportation of the unit or part to and from an authorized Service Dealer or factory is the responsibility of the owner.

A step by step explanation as to what procedure should be followed for this Warranty is:

1. If a part becomes defective, contact the store where the unit was purchased for the name and address of the authorized Service Dealer nearest to you.
2. If you cannot locate an authorized Service Dealer, write Service Department of NOMA Outdoor Products Incorporated for the name and address of the authorized Service Dealer in your area or call the Service Department at 1-901-422-1690.
3. Return the defective product, along with proof of purchase to such authorized Service Dealer for replacement of any defective part where covered by this warranty.

There is no other express warranty. Implied warranties, including those of merchantability and fitness for a particular purpose are limited to one (1) year from date of purchase. Liability for incidental or consequential damages are excluded.

Some states do not allow limitations on how long an implied warranty lasts, so the above limitation may not apply to you. Some states do not allow the exclusion of incidental or consequential damages, so the above exclusion may not apply to you. This warranty gives you specific legal rights, and you may have other rights which vary from state to state.

NOMA Outdoor Products Incorporated      Caller 8000      Jackson, TN 38308-8000

#### UNIT PARTS AND SERVICE

This manual contains instructions for safety, assembly and maintenance. Read this manual carefully and completely so that you will know proper assembly, use and care of your unit. Also fill in and mail the registration card packed with the unit. For service other than covered in this manual, contact an authorized service dealer. A nationwide parts and service organization has been established to provide locally available parts and service. A list of authorized parts distributors has been included in this manual. When ordering repair parts, always give the following information: 1. The Part Name; 2. The Part Number; 3. The Quantity desired; 4. The Full (eight digit) Model Number of the unit. The model number will be found on a plate attached to the unit.



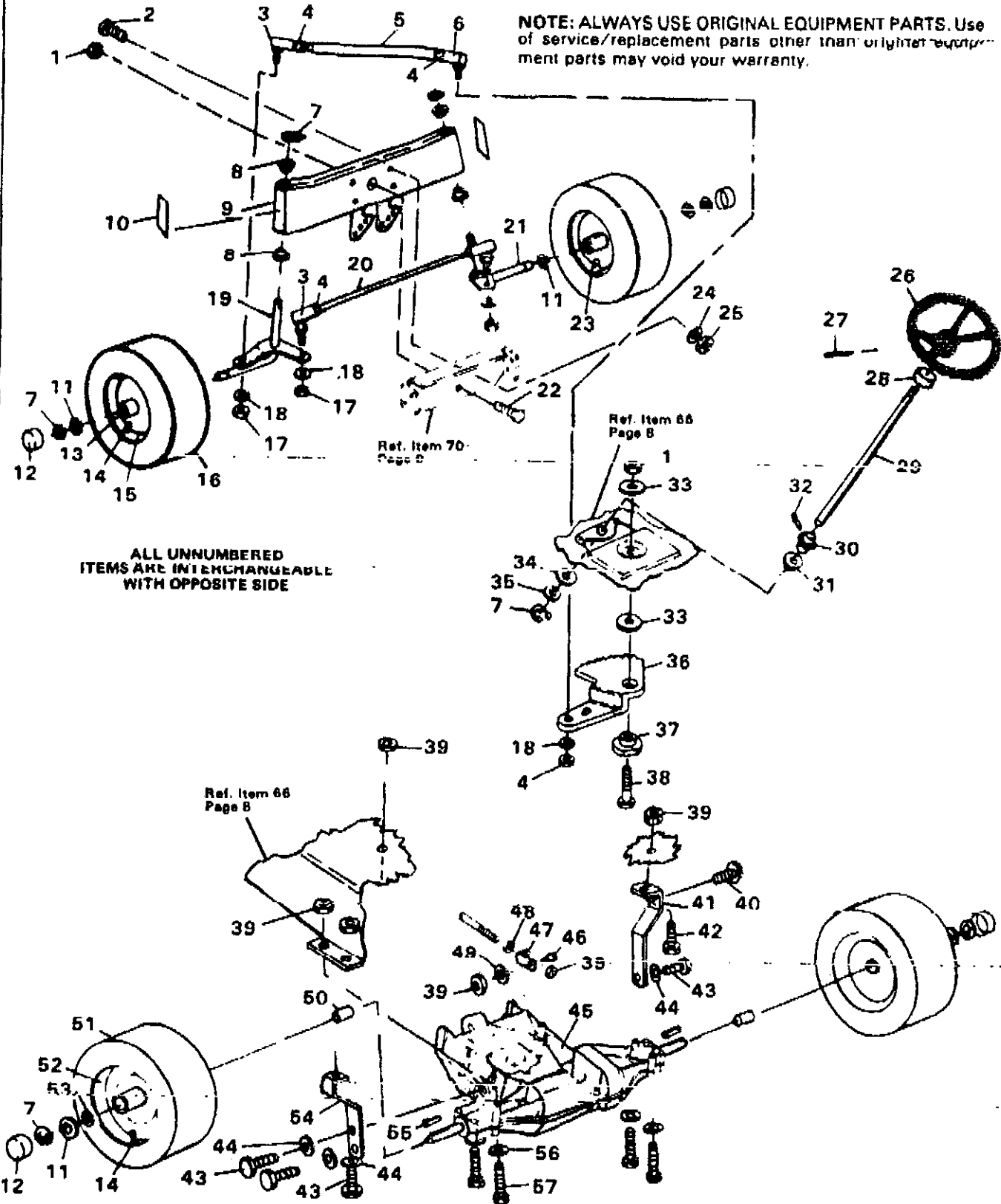
Look for this symbol. **It means - ATTENTION! BECOME ALERT! A HAZARD TO OPERATOR, BYSTANDER, PROPERTY OR EQUIPMENT MAY EXIST.**

NOMA Outdoor Products Incorporated  
Caller 8000  
Jackson, TN 38308-8000

# REPAIR PARTS

## LIGHT GROUND ENGAGING TRACTOR MODEL 4518-2700

NOTE: ALWAYS USE ORIGINAL EQUIPMENT PARTS. Use of service/replacement parts other than original equipment parts may void your warranty.



# LIGHT GROUND ENGAGING TRACTOR MODEL 4518-2700

ALWAYS GIVE THE FOLLOWING INFORMATION WHEN ORDERING REPAIR PARTS:

1. The PART NUMBER; 2. The PART NAME; 3. QUANTITY DESIRED; 4. The MODEL NUMBER (As shown on Model Plate).

SEND PART ORDERS AS PER INSTRUCTIONS ON THE FRONT PAGE.

YOUR UNIT IS RIGHT HAND (RH) OR LEFT HAND (LH) AS YOUR STAND BEHIND IT.

DO NOT USE KEY NUMBERS WHEN ORDERING REPAIR PARTS, ALWAYS USE PART NUMBERS.

All replacement parts will be supplied in current production colors or in a neutral color.

A handling fee is applicable to small parts orders.

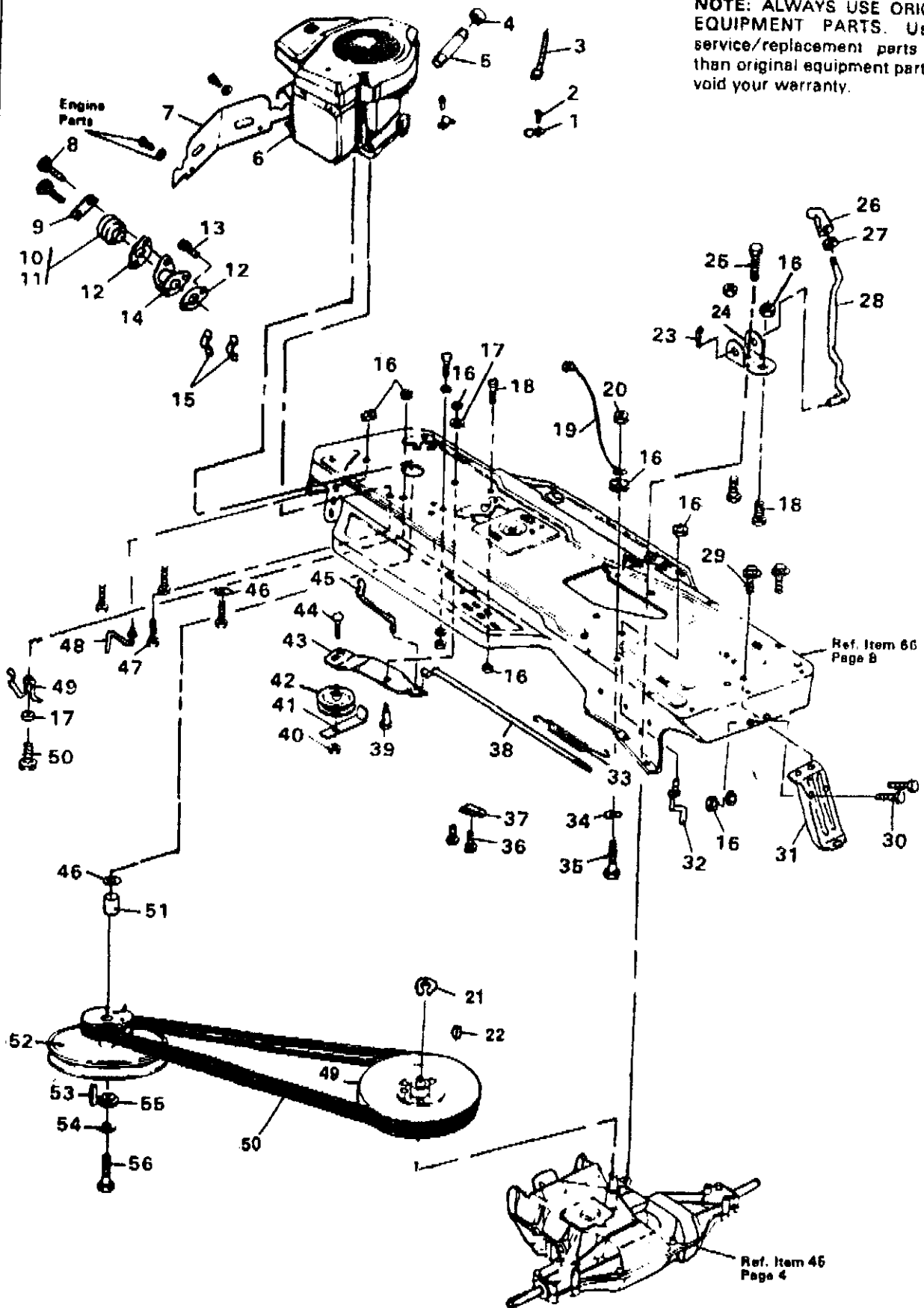
Key No.	Part No.	Description	Key No.	Part No.	Description
1	1500	Locknut, 1/2-13 Thd.	33	22265	Washer
2	122207	*Screw, Hex Hd, 3/8-16 x 3 In.	34	301398	Flatwasher
3	21275	Ball Joint Assembly	35	21682	Flatwasher, 3/4 In.
4	124925	Nut, Hex Jam, 3/8-24 Thd.	36	58289	Sector Gear
5	302864	Drag Link	37	52406	Eccentric, Steering Adjust
6	57158	Ball Joint Assembly	38	180177	*Screw, Hex Hd, 1/2-13 x 1-1/2 In.
7	36625	"E" Ring	39	1498	Locknut, Hex, 5/16-18 Thd.
8	52407	Bearing, Front Spindle	40	50947	Screw, Tapite 5/16-18 x 1-1/4 In.
9	303200	Front Axle Assembly	41	57563	Bracket, Stabilizer
10	53373	Cover, Axle End	42	122017	*Screw, Hex Hd 5/16-18 x 1 In.
11	642	Flatwasher	43	35498	Screw, Hex Wa Hd, 5/16-18 x 3/4 In.
12	40394	Hub Cap	44	120000	Lockwasher, Split, 3/16 In.
13	39979	Bearing	45	Transaxle	^Peerless, 5 Speed, Model 801
14	24167	Valve Stem	46	20507	Shoulder Bolt
15	39829	Wheel w/Bearing	47	57217	Bracket, Brake
16	41108	Tire, Front	48	271184	*Nut, Keps, 5/16-18 Thd.
17	120369	*Nut, Hex, 3/8-24 Thd.	49	45602	Washer
18	120382	*Lockwasher, Split, 3/8 In.	50	57744	Spacer
19	9781	Front Spindle Assembly, L.H.	51	39380	Tire, Rear
20	300327	Tie Rod Assembly	52	301366	Wheel Assembly, Rear
21	9180	Front Spindle Assembly, R.H.	53	42815	Flatwasher
22	58246	Bolt, Front Axle Pivot	54	52648	Bracket, Stabilizer
23	273326	Zerk, Grease	55	30020	Key
24	2483	Spring Washer	56	120999	Flatwasher, 5/16 In.
25	1499	Locknut, 3/8-16 Thd.	57	180112	*Screw, Hex Hd, 5/16-18 x 2-3/4 In.
26	301251	Steering Wheel	58	301596	Operator's Manual (Not Illustrated)
27	456836	Roll Pin, 1/4 x 2-1/4 In.	59	307619	Repair Parts Manual (Not Illustrated)
28	57212	Cover, Steering Shaft			
29	58243	Shaft, Steering Wheel			
30	58244	Pinion			
31	301410	Bushing			
32	58274	Roll Pin, 1/4 x 1-3/4 In.			

(\*) Standard Hardware Items - May Be Purchased Locally.

(^) Contact Tecumseh/Peerless authorized service dealer for parts and warranty.

# LIGHT GROUND ENGAGING TRACTOR MODEL 4518-2700

NOTE: ALWAYS USE ORIGINAL EQUIPMENT PARTS. Use of service/replacement parts other than original equipment parts may void your warranty.



# LIGHT GROUND ENGAGING TRACTOR MODEL 4518-2700

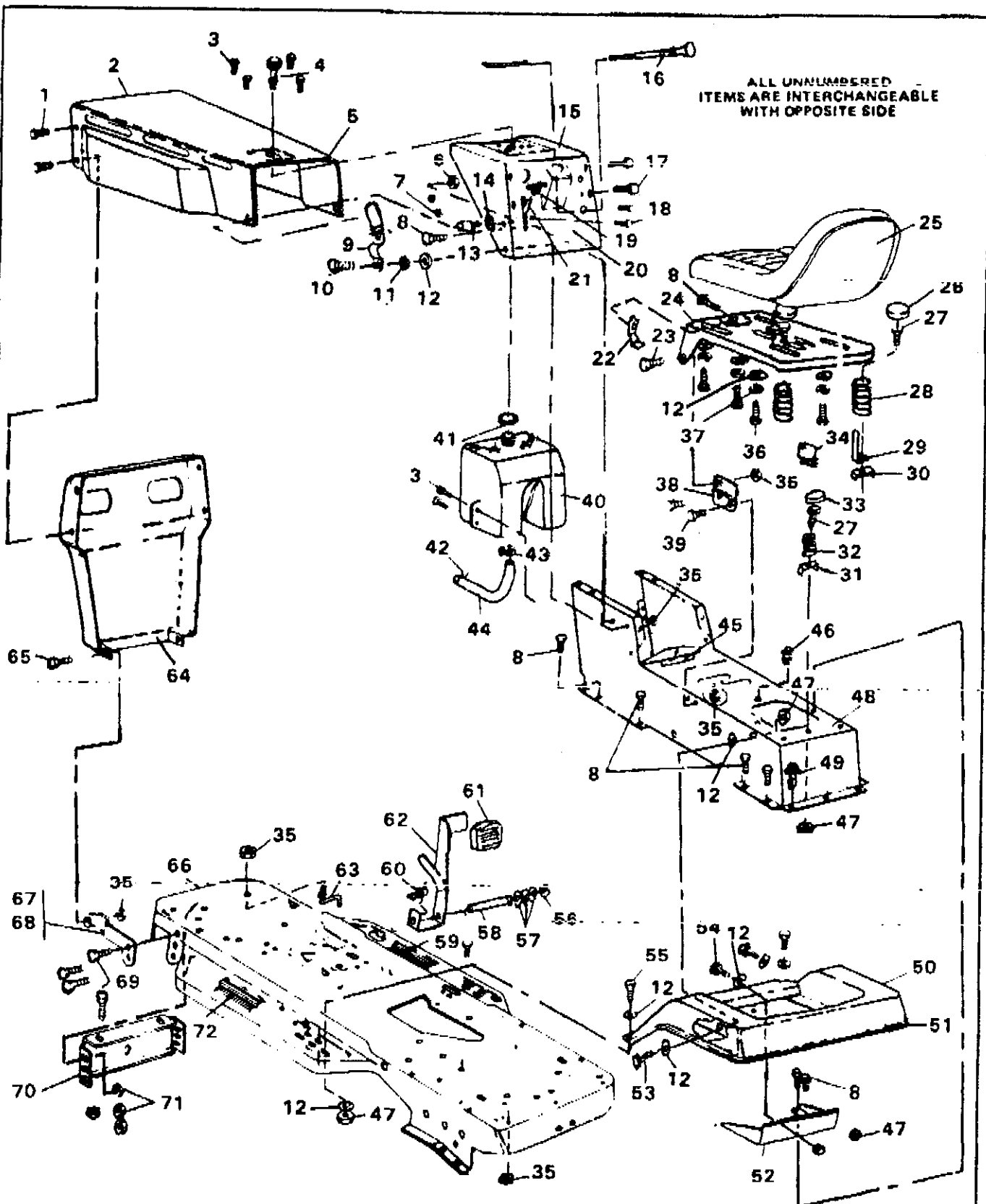
Key No.	Part No.	Description
1	56538	Wire Retainer
2	35258	Screw, Taplts, No. 10-24 x 3/8 in.
3	57444	Wire Tie
4	47828	Cap, Oil Drain Tube
5	52404	Tube Oil Drain
6	Engine	-See Footnote Below
7	52796	Bulkhead, Hood
8	173063	Screw, Hex Hd, 5/16-18 x 3-1/2 in.
9		Engine Part
10	56539	Muffler, L.H.
11	56540	Muffler, R.H.
12		Gasket, Muffler (Engine Part)
13	186923	Screw, Hex Soc Hd, 1/4-20 x 5/8 in.
14	56615	Bracket, Muffler Assembly
15	41482	Press Clip
16	9413447	Locknut, Hex, 5/16-18 Thd.
17	45602	Washer, 5/16 in.
18	120229	*Screw, Hex hd, 5/16-18 x 7/8 in.
19	55511	Ground Wire
20	271184	*Nut, Keps, 5/16-18 Thd.
21	22053	Retaining Ring
22	3021	Key, Woodruff No. 606
23	137185	Cotter Pin
24	55517	Bracket, Shift
25	56255	Screw, Nylock, 1/4-28 x 3/4 in.
26	58284	Knob, Shift Lever
27	120238	Jam Nut, 1/2-13 Thd.
28	57660	Shift Lever

Key No.	Part No.	Description
29	48148	Screw, Taplts, 3/8-16 x 1 in.
30	120228	*Screw, Hex Hd, 5/16-18 x 5/8 in.
31	302605	Hitch, Tractor
32	52401	Belt Guide
33	56359	Spring, Clutch
34	138538	Lockwasher, Internal Tooth
35	122017	*Screw, Hex Hd, 5/16-18 x 1 in.
36	57220	Screw, Hex Hd Tap, No 12 x 1/2 in.
37	57211	Switch
38	57203	Brake Rod
39	300793	Shoulder Bolt
40	1499	Locknut, Hex, 3/8-16 Thd.
41	39659	Belt Retainer
42	35374	Puller, Idler
43	300154	Idler Arm
44	45892	Carriage Bolt, 3/8-16 x 1-1/2 in.
45	57204	Rod, Clutch
46	138489	Lockwasher, External Tooth
47	50947	Screw, Taplts, 5/16-18 x 1-1/4 in.
48	300634	Belt Guide
49	54692	Pulley, Input
50	57556	V-Belt
51	304246	Spacer, Engine Pulley
52	300743	Pulley, Engine
53	57791	Key, Square
54	120383	Lockwasher, Split, 7/16 in.
55	56431	Washer, Pilot
56	180796	Screw, Hex Hd, 7/16-20 x 5-3/4 in.

(\*) Standard Hardware Items - May Be Purchased Locally.

(-) Contact Engine Manufacturer's authorized service dealer (see Engine Manual) for parts and warranty.

# LIGHT GROUND ENGAGING TRACTOR MODEL 4516-2700

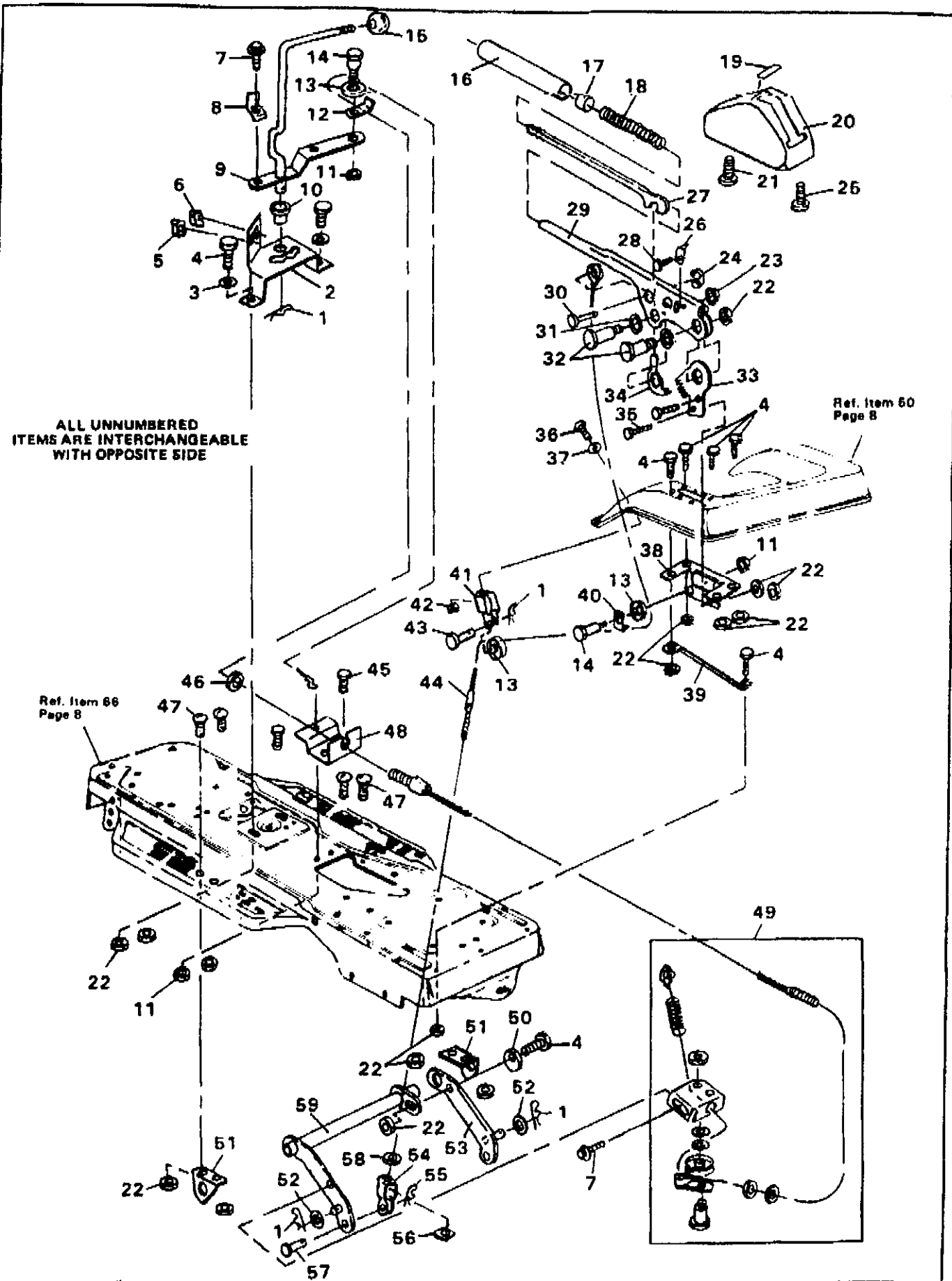


# LIGHT GROUND ENGAGING TRACTOR MODEL 4518-2700

Key No.	Part No.	Description	Key No.	Part No.	Description
1	57215	Screw, Hex Tap, 5/16-9 x 3/4 In.	38	300289	Support, LH
2	7342	Hood Assembly	39	120228	*Screw, Hex Hd, 5/16 - 18 x 5/8 In.
3	49050	Screw, Plastite, 1/4-10 x 3/4 In.	40	302580	Tank, Fuel
4	56183	Gas Gauge	41	54885	Pad, Fuel Tank
5	56304	Edging, Hood	42	41008	Clamp, Fuel Line
6	45174	Locknut, Wide Fl 5/16-18 Thd.	43	47345	Clamp, Fuel Line
7	271166	*Nut, Keps, No. 10-24 Thd.	44	47452	Tubing, Fuel Line
8	995346	*Screw, Taptite, 1/4-20 x 1/2 In.	45	300712	Decal, Caution
9	57159	Latch, Hood	46	38211	Switch, Seat
10	8482	Shoulder Bolt	47	9424215	Locknut, Hex, 1/4-20 Thd.
11	120394	*Flatwasher, 3/8 In.	48	301237	Console
12	120393	*Flatwasher, 1/16 In. I.D.	49	35497	Screw, Taptite, 5/16-18 x 1/2 In.
13	53446	Pin, Hood Latch	50	306422	Fender Assembly
14	138538	Lock Washer, Internal Tooth, 5/16	51	55021	Trim, Fender
15	306129	Dash Assembly	52	58279	Bracket, Fender
16	300432	Cable, Chok	53	180020	*Screw, Hex Hd, 1/4-20 x 3/4 In.
17	995338	*Screw, Hex Hd, 1/4-20 x 5/8 In.	54	48900	Screw, Hex Wa Hd, 1/4-20 x 1 In.
18	35291	Screw, Hex Hd, No. 10-24 x 1/2 In.	55	180022	*Screw, Hex Hd, 1/4-20 x 1 In.
19	50607	Knob, Throttle Control	56	20864	Retaining Ring
20	300785	Decal, Dash	57	2968	Spacer
21	300456	Throttle Control	58	57196	Rod, Brake-Clutch
22	300291	Bracket, Seat Switch	59	12662	Foot Pad, R.H.
23	20507	Shoulder Bolt	60	57847	Spring
24	9104	Mounting Bracket, Seat	61	48160	Rubber Pad, Pedal
25	303024	Seat	62	57399	Brake Pedal Assembly
26	53205	Cover, Seat Spring	63	300440	Belt Guide
27	44811	Screw, Taptite, 1/4 - 20 x 3/4 In.	64	52651	Grill
28	49335	Spring, Seat	65	36149	Shoulder Bolt
29	300292	Stop, Seat	66	97482	Main Frame
30	53744	Clip, Seat Spring	67	58089	Bracket, Grille, L.H.
31	300285	Clip, Spring	68	58088	Bracket, Grille, R.H.
32	58366	Spring	69	56030	Screw, Hex Wa Hs, 5/16-18 x 3/4 In.
33	300815	Cover, Spring	70	56361	Bracket, Axle Support, Front
34	9233	Support, R.H.	71	55273	Locknut Wide Fls, 5/16-18 Thd.
35	9413447	Locknut, Hex, 5/16-18 Thd.	72	12381	Foot Pad, L.H.
36	122007	*Screw, Hex Hd, 5/16 - 18 x 3/4 In.			
37	9228	* Lockwasher, Split, 5/16 In.			

(\* Standard Hardware Items - May Be Purchased Locally.

# LIGHT GROUND ENGAGING TRACTOR MODEL 4518-2700





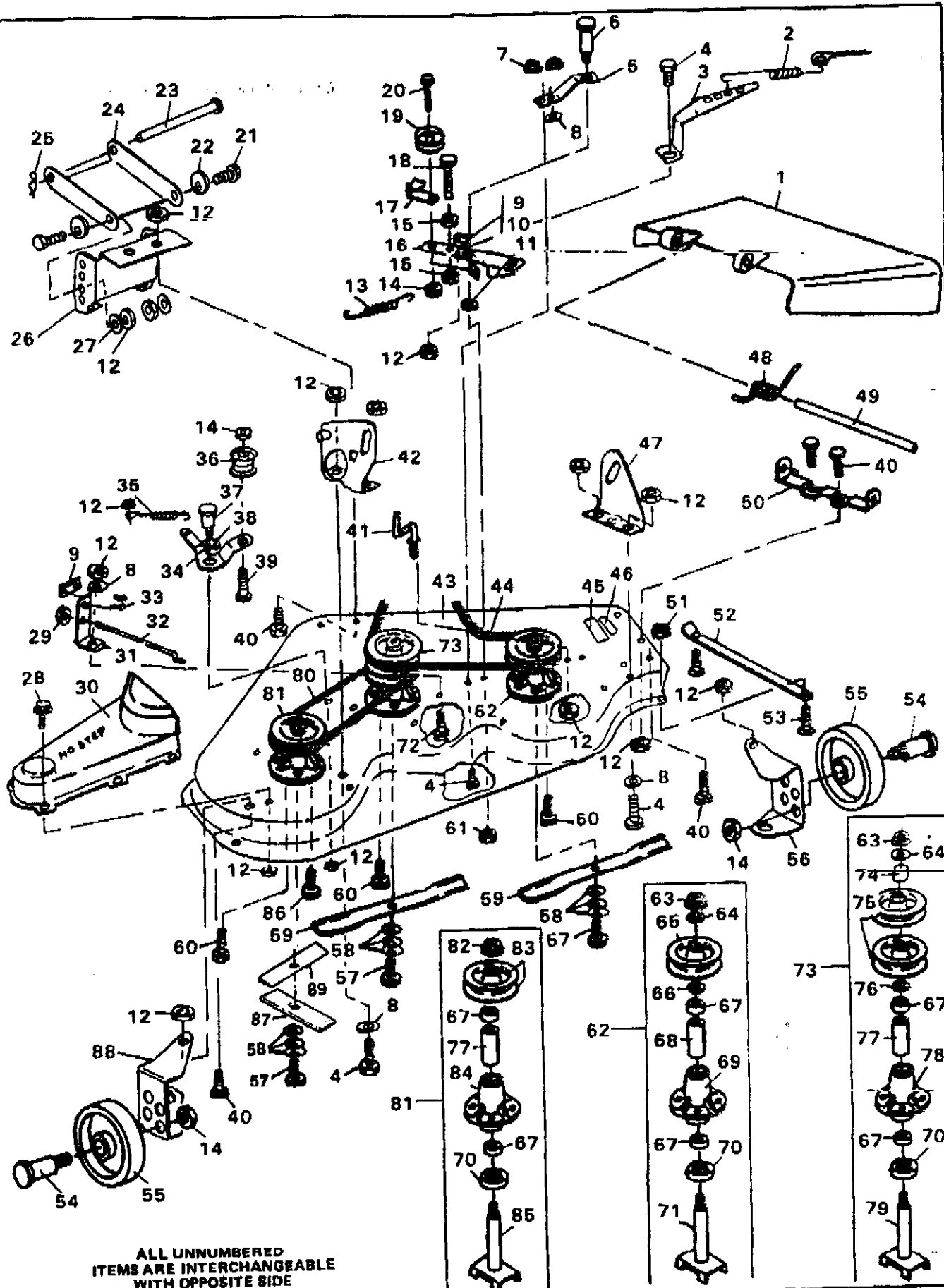
# LIGHT GROUND ENGAGING TRACTOR MODEL 4518-2700

Key No.	Part No.	Description
1	8260	Hair Pin Cotter
2	300702	Bracket, Clutch Lever Assembly
3	120393	*Flatwasher, 11/32 In.
4	180079	*Screw, Hex Hd, 5/16-18 x 1 In.
5	300220	Switch, Start
6	58277	Switch, Seat
7	35498	Screw, Taplite, 5/16-18 x 3/4 In.
8	300699	Bracket
9	304791	Clutch Lever Assembly
10	50148	Bearing, Flanged
11	1502	Locknut, Hex, 1/4-20 Thd.
12	52456	Bracket, Retainer
13	39298	Pulley
14	58336	Shoulder Bolt
15	55514	Knob, Clutch Lever Assembly
16	58329	Hand Grip, Height Adjust Lever
17	58325	Knob, Height Adjust Lever
18	58326	Spring, Height Adjust Lever
19	300840	Decal, Height Adjust
20	300335	Cover, Height Adjust Lever
21	301538	Screw, No. 10 x 1 In.
22	946418	Locknut, Hex, 5/16-18 Thd.
23	44108	Wide Flange Locknut, 5/16-18 Thd.
24	300311	E-Ring
25	300302	Screw, No. 10 x 1/2 In.
26	300782	Pointer, Height Adjust Lever
27	58330	Actuator Rod, Height Adjust Lever
28	35287	Screw, Hex Wa Hd, No. 8-32 x 3/8 In.
29	58332	Lever Height Adjust
30	300310	Pin, Clevis

Key No.	Part No.	Description
31	998418	*Flatwasher, 1/2 In.
32	300171	Shoulder Bolt
33	301238	Quadrant Assembly
34	301239	Pawl Assembly
35	180077	*Screw, Hex Hd, 5/16-18 x 3/4 In.
36	439455	Screw, Pan Hd, 5/16-18 x 9/16 In.
37	301551	Washer, Curved, 11/32 In.
38	58333	Bracket, Support, Height Adjust Lever
39	300217	Brace, Support, Height Adjust Lever
40	58335	Bracket, Retainer
41	300298	Clevis
42	120373	Nut, Square, 5/16-18 Thd.
43	300317	Pin, Clevis
44	300329	Cable, Deck Lift
45	180020	*Screw, Hex Hd, 1/4-20 x 3/4 In.
46	120613	*Nut, Hex, 1/4-28 Thd.
47	126211	*Carriage Bolt, 5/16-18 x 5/8 In.
48	300698	Bracket, Frame, Cable Anchor
49	301502	Cable Assy, Blade Engage/Disengage
50	58247	Nut, Adjusting
51	58248	Bracket, Rear Hanger
52	120396	*Flatwasher, 17/32 In.
53	300169	Link Assembly, Right Side
54	300703	Rear Clevis, Lift Cable
55	121222	*Cotter Pin, 3/32 x 3/4 In.
56	120372	*Nut, Square, 1/4-20 Thd.
57	39522	Clevis Pin
58	120375	*Nut, Hex, 1/4-20 Thd.
59	301185	Rear Lift Assembly

(\*) Standard Hardware Items - May Be Purchased Locally.

# LIGHT GROUND ENGAGING TRACTOR MODEL 4518-2700



ALL UNNUMBERED  
ITEMS ARE INTERCHANGEABLE  
WITH OPPOSITE SIDE

# LIGHT GROUND ENGAGING TRACTOR MODEL 4518-2700

Key No.	Part No.	Description
1	57361	Chute Guard
2	300473	Spring
3	300700	Extension, Idler Arm
4	180077	*Screw, Hex Hd, 5/16-18 x 3/4 In.
5	9401	Bracket, Idler
6	300180	Shoulder Bolt
7	44108	Nut, Hex, Wide Fl, 5/16-18 Thd.
8	120393	Flatwasher, 11/32 In.
9	41471	Brake Pad
10	41601	Rivet, Brake Pad
11	996416	*Flatwasher, 3/8 In.
12	1498	Locknut, 5/16-18 Thd.
13	34510	Spring
14	1499	Locknut, 3/8-16 Thd.
15	271172	*Keps Nut, 1/4-20 Thd.
16	300491	Idler Arm Assy. (Incl. Nos. 9 & 39)
17	300844	Retainer, Belt
18	121954	*Screw, Hex Hd, 1/4-20 x 2 In.
19	300841	Pulley, Idler
20	57325	Carriage Bolt, 3/8-16 x 2 In.
21	122017	*Screw, Hex Hd, 5/16-18 x 1 In.
22	58247	Nut, Adjusting
23	58306	Rod, Deck Hitch
24	301091	Bracket, Deck Front
25	8260	Hairpin Cotter
26	58315	Lift Support Plate
27	35214	Flatwasher, 21/64 In.
28	40886	Screw, Tapite, 1/4-20 x 3/8 In.
29	1502	Locknut, 1/4-20 Thd.
30	300238	Belt Guard
31	303247	Blade Brake Assy. (Incl. Nos. 9 & 33)
32	300315	Rod, Brake Release
33	135624	Rivet, Brake Pad
34	1343	Idler Arm
35	300215	Spring
36	300920	Pulley, Idler
37	41890	Shoulder Bolt
38	4107	Flatwasher
39	45892	Shoulder Bolt
40	120834	*Screw, Hex Hd, 5/16-18 X 1/2 In.
41	57318	Retainer, Belt
42	58251	Bracket, Lift L.H.
43	304881	Mower Deck
44	300680	V Belt
45	68249	Decal, No Step

Key No.	Part No.	Description
46	68547	Decal, Caution
47	58250	Bracket, Lift R.H.
48	55767	Spring, Discharge Chute
49	57317	Rod, Pivot
50	57360	Bracket, Pivot
51	271184	*Nut, Keps, 5/16-18 Thd.
52	57314	Skld Bar
53	126216	*Carriage Bolt, 5/16-18 Thd.
54	23763	Wheel Axle
55	52584	Wheel, Deck
56	9174	Bracket, Wheel Mount, R.H.
57	39573	Screw, Hex hd, 3/8-24 x 1 In.
58	2483	Formed Washer
59	58212	Blade
60	300345	*Screw, Hex Hd, 5/16-18 x 1 3/8 In.
61	45171	Wide Flange Locknut, 5/16-18 Thd.
62	56424	Quill Assembly
63	51445	Locknut, Flange
64	56365	Flatwasher
65	56390	Pulley
66	51449	Spacer
67	49562	Bearing
68	50818	Spacer, Tube
69	55547	Quill
70	50616	Dust Shield
71	56425	Saddle & Shaft Assembly
72	120228	*Screw, Hex Hd, 5/16-18 x 5/8 In.
73	300324	Quill Assembly
74	301378	Spacer
75	56390	Pulley
76	301379	Spacer
77	58128	Spacer, Tube
78	58124	Quill
79	58165	Saddle & Shaft Assembly
80	300142	V-Belt
81	58125	Quill Assembly
82	51445	Wide Flange Locknut
83	300294	Pulley Half
84	58162	Quill
85	58122	Saddle & Shaft Assembly
86	50634	Screw, Hex Hd, 5/16-18 x 7/8 In.
87	300323	Blade, 9-5/8 Inch
88	300103	Bracket, Wheel Mount, L.H.
89	304532	Blade, 9-5/8 Inch

(\*) Standard Hardware Items - May Be Purchased Locally.

# LIGHT GROUND ENGAGING TRACTOR MODEL 4518-2700

Key No.	Part No.	Description
1	300626	Key, Ignition
2	48140	Locknut (Switch Part)
3	138557	Lockwasher (Switch Part)
4	300687	Switch, Ignition
5	302031	Fuse
6	300620	Wire Harness Assembly
7	300133	Ammeter
8	300255	Bulb, Indicator
9	55511	Ground Wire
10	52936	Battery
11	57551	Battery Rod
12	126216	*Carriage Bolt, 5/16-18 x 5/8 In.
13	126203	*Carriage Bolt, 1/4-20 x 5/8 In.
14	271184	*Nut, Keps, 5/16-18 Thd.
15	271172	*Nut, Keps, 1/4-20 Thd.
16	57552	Bracket, Battery, Hold-Down

Key No.	Part No.	Description
17	120392	Flatwasher, 1/4 In.
18	120380	Lockwasher, Split
19	120375	*Nut, Hex, 1/4-20 Thd.
20	1502	Locknut, Hex, 1/4-20 Thd.
21	187745	*Screw, Hex Hd, 1/4-20 x 3/4 In.
22	53716	Solenoid
23	138485	*Washer, Ext. Shakeproof, 5/16 In.
24	120368	*Nut, Hex, 5/16-24 Thd.
25	52570	Lens, Headlight
26	52572	Bulb, Headlight
27	52571	Bezel, Headlight
28	50668	Screw, Hex Wa Hd No. 10-14 x 1/2 In.
29	57792	Lead Wire, Headlight
30	41482	Press Clip
31	54668	Retainer, Wire
32		Engine Part

(\*) Standard Hardware Items - May Be Purchased Locally.

