

Gul 1989-90

Res. Katalog

REPAIR PARTS MANUAL

18 H.P. LAWN TRACTOR

With 45" Mower Deck

MODEL 3583-4700

ONE YEAR LIMITED WARRANTY

For one (1) year from date of purchase by the first consumer for residential use (thirty (30) days commercial use), NOMA Outdoor Products Incorporated warrants that it will replace free of charge, including labor, any original part of any NOMA Outdoor Products Incorporated product found to be defective by any authorized Service Dealer or the factory, except the battery which is warranted for ninety (90) days from date of purchase.

This warranty does not cover engine, transmission, transaxle or differential (these items are covered by their manufacturer's own warranty). This warranty does not cover parts that have failed due to normal wear or parts that have failed subject to misuse or abuse. Transportation of the unit or part to and from an authorized Service Dealer or factory is the responsibility of the owner.

A step by step explanation as to what procedure should be followed for this Warranty is:

1. If a part becomes defective, contact the store where the unit was purchased for the name and address of the authorized Service Dealer nearest to you.
2. If you cannot locate an authorized Service Dealer, write Service Department of NOMA Outdoor Products Incorporated for the name and address of the authorized Service Dealer in your area or call the Service Department at 1-901-422-1690.
3. Return the defective product, along with proof of purchase to such authorized Service Dealer for replacement of any defective part where covered by this warranty.

There is no other express warranty. Implied warranties, including those of merchantability and fitness for a particular purpose are limited to one (1) year from date of purchase. Liability for incidental or consequential damages are excluded.

Some states do not allow limitations on how long an implied warranty lasts, so the above limitation may not apply to you. Some states do not allow the exclusion of incidental or consequential damages, so the above exclusion may not apply to you. This warranty gives you specific legal rights, and you may have other rights which vary from state to state.

NOMA Outdoor Products Incorporated

Caller 8000

Jackson, TN 38308-8000

UNIT PARTS AND SERVICE

This manual contains instructions for safety, assembly and maintenance. Read this manual carefully and completely so that you will know proper assembly, use and care of your unit. Also fill in and mail the registration card packed with the unit. For service other than covered in this manual, contact an authorized service dealer. A nationwide parts and service organization has been established to provide locally available parts and service. A list of authorized parts distributors has been included in this manual. When ordering repair parts, always give the following information: 1. The Part Name; 2. The Part Number; 3. The Quantity desired; 4. The Full (eight digit) Model Number of the unit. The model number will be found on a plate attached to the unit.



Look for this symbol. It means - ATTENTION! BECOME ALERT! A HAZARD TO OPERATOR, BYSTANDER, PROPERTY OR EQUIPMENT MAY EXIST.

NOMA Outdoor Products Incorporated
Caller 8000
Jackson, TN 38308-8000

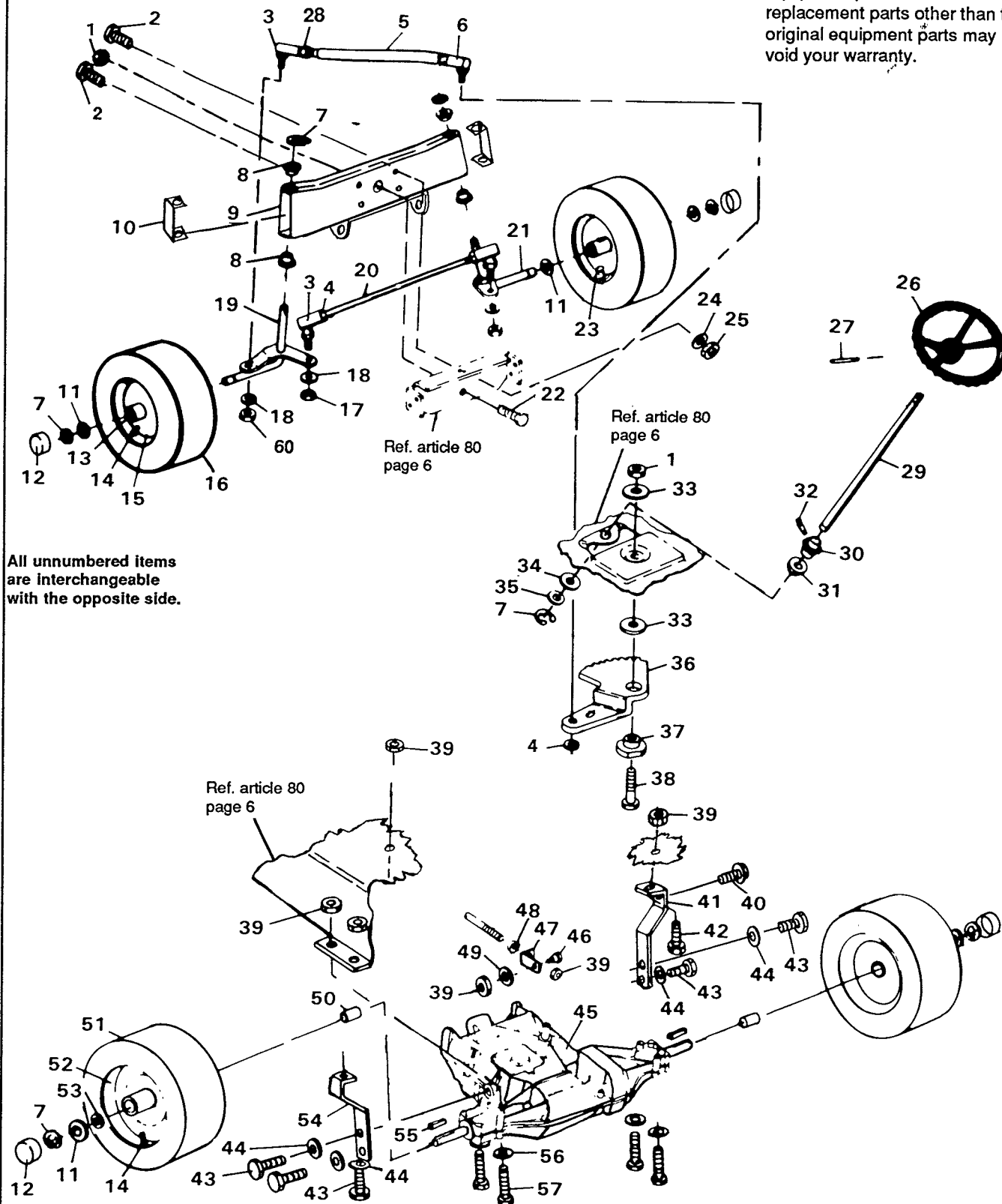
Part No. 309318

2489

Repair Parts

45" Lawn Tractor Model 3583-4700

Note: Always use original equipment parts. Use of service/replacement parts other than the original equipment parts may void your warranty.



All unnumbered items are interchangeable with the opposite side.

Repair Parts

45" Lawn Tractor Model 3583-4700

Always give the following information when ordering repair parts:

1. The **PART NUMBER**;
2. The **PART NAME**;
3. The **QUANTITY DESIRED**;
4. The **MODEL NUMBER** (As shown on Model Plate).

Send your part orders per the instructions on the front page.

To tell if a part is the left or right handed one, stand behind your mower.

Do not use the key numbers when ordering repair parts, **always use the part numbers.**

All replacement parts will be supplied in current production colors or in a neutral color.

A handling fee is applicable to small parts orders.

Key No.	Part No.	Description
1	1500	Locknut, 1/2-13 Thd.
2	122207	* Screw, Hex Hd 3/8-16 x 3 In.
3	302865	Ball Joint Assembly
4	46692	Nut, Hex Jam 3/8-24 Thd.
5	302864	Drag Link Assembly
6	57158	Ball Joint
7	36625	"E" Ring
8	52407	Bearing, Front Spindle
9	304790	Front Axle Assembly
10	53373	Cover, Axle End
11	642	Flatwasher
12	40394	Hub Cap
13	49562	Bearing
14	24167	Valve Stem
15	49401	Wheel, Front
16	57914	Tire, Front
17	120369	* Nut, Hex 3/8-24 Thd.
18	120382	* Lockwasher, Split 3/8-In.
19	9781	Front Spindle Assembly, L.H.
20	300327	Tie Rod Assembly
21	9180	Front Spindle Assembly, R.H.
22	58246	Bolt, Front Axle Pivot
23	706	Zerk, Grease 1/4-28 Thd
24	2483	Spring Washer
25	1499	Locknut, 3/8-16 Thd.
26	301251	Steering Wheel
27	456378	Roll Pin, 1/4-2 In.
28	272123	Nut, Jam 7/16-20
29	58243	Shaft, Steering Wheel

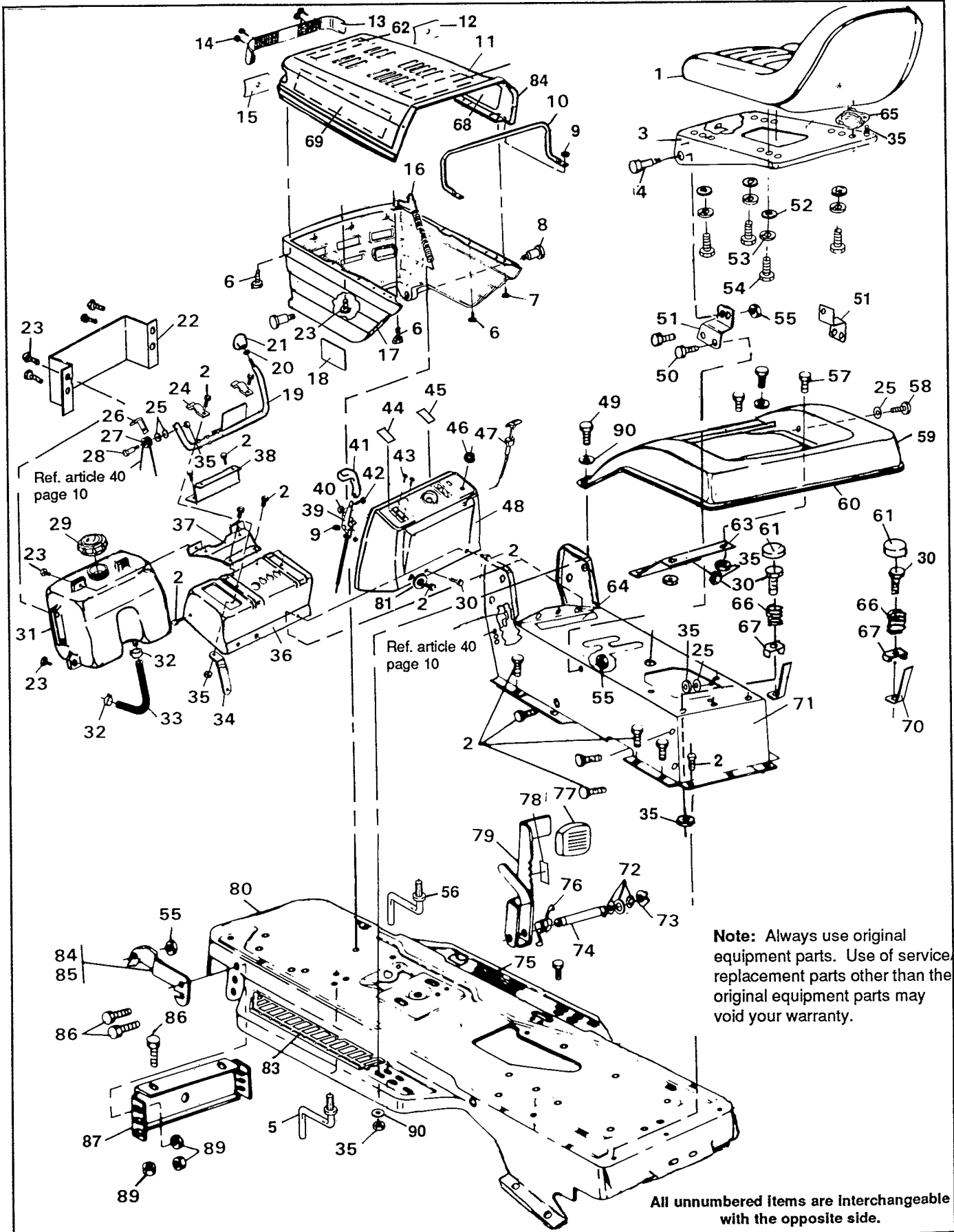
Key No.	Part No.	Description
30	58244	Pinion
31	301410	Bushing
32	58274	Dowell Pin
33	22265	Washer
34	301398	Flatwasher
35	21682	Flatwasher, 3/4 In.
36	58289	Sector Gear
37	52406	Eccentric, Steering Adjust
38	180177	* Screw, Hex Hd 1/2-13 x 1-1/2 In.
39	1498	Locknut, Hex 5/16-18 Thd.
40	50947	Screw, Wa Hex 3/8-16 x 1-1/4 In.
41	57563	Bracket, Stabilizer
42	122017	Screw, Hex Hd 5/16-18 x 1 In.
43	35498	Screw, Wa Hex Hd 5/16-18 x 3/4 In.
44	120638	Washer, .328 x .60 x .11
45	Transaxle	^ Peerless, Model 2300
46	20507	Bolt, 5/16-18
47	57217	Bracket, Brake Rod
48	271184	Nut, Hex Keps 5/16-18
49	45602	Washer, Flat .333 x .87 x .119
50	57744	Spacer, 3/4 x 1-1/4 x 1-41/64 In.
51	55893	Tire, Rear
52	12459	Wheel Assembly, Rear
53	22053	Retaining Ring
54	55893	Tire, Rear
55	39628	Square Key
56	120393	Washer
57	180089	Screw, Hex Hd Cap 5/16-18 x 2-3/4 In.

(*) Standard hardware items - may be purchased locally.

(^) Contact Tecumseh/Peerless authorized service dealer for parts and warranty.

Repair Parts

45" Lawn Tractor Model 3583-4700



Note: Always use original equipment parts. Use of service replacement parts other than the original equipment parts may void your warranty.

All unnumbered items are interchangeable with the opposite side.

Repair Parts

45" Lawn Tractor Model 3583-4700

Key No.	Part No.	Description
1	307661	Seat
2	995346	* Screw, Taptite 1/4-20 x 1/2 In.
3	58221	Mounting Bracket, Seat
4	20507	Shoulder Bolt
5	300634	Belt Guide
6	300302	Screw, Taptite #10-24 x 1/2 In.\)
7	301542	Screw, Hex Hd #10-24 x 1 In.
8	56676	Shoulder Bolt
9	271166	Nut, Keps #10-24 THd.
10	301425	Support, Hood
11	307033	Hood
12	301540	Reflector, Headlight, R.H.
13	302333	Lens, Headlight
14	57796	Screw, Plastite #6 x 1/2 In.
15	301541	Reflector, Headlight, L.H.
16	57478	Spring, Hood
17	303037	Hood, Lower
18	301971	Decal, Heat Reflector
19	9792	Lever, Mower Drive Control
20	120238	Jam Nut, 1/2-13 Thd.
21	304438	Knob
22	305598	Heat Shield
23	300303	Screw, Plastite 1/4-20 x 3/4 In.
24	9129	Bracket, Retaining
25	120392	Flatwasher, 1/4 In.
26	1288	Bracket, Cable Retainer
27	39298	Pulley
28	57322	Shoulder Bolt
29	300304	Cap, Fuel Tank
30	44811	Screw, Taptite 1/4-20 x 3/4 In.
31	303043	Fuel Tank, 2 Gal.
32	41008	Clamp, Fuel Line
33	47452	Tubing, Fuel Line
34	9197	Brace, Dash
35	1502	Locknut, 1/4-20 Thd.
36	9132	Dash, Metal
37	9744	Bracket, Fuel Tank
38	9208	Brace, Dash & Fuel Tank
39	300510	Throttle Control
40	120622	Nut, Hex #8-32 Thd.
41	300508	Knob, Throttle Control
42	159585	Screw, Pan Hd #8-32 x 3/8 In.
43	159943	Screw, Pan Hd #10-24 x 5/8 In.
44	302049	Decal, Dash L.H.

Key No.	Part No.	Description
45	300445	Decal, Dash R.H.
46	300194	Boot, Ignition Switch
47	300425	Choke Control
48	300175	Dash, Plastic Cover
49	180022	* Screw, Hex Hd 1/4-20 x 1 In.
50	120228	* Screw, Hex Hd 5/16-18 x 5/8 In.
51	305648	Bracket, Support L.H.
52	120393	* Flatwasher, 11/32 In.
53	120638	* Lockwasher, Split 5/16 In.
54	122007	* Screw, Hex Hd 5/16-18 x 3/4 In.
55	1498	Locknut, 5/16-18 Thd.
56	300448	Belt Guide
57	48900	Screw, Hex Hd 1/4-20 x 1 In.
58	180020	* Screw, Hex Hd 1/4-20 3/4 In.
59	304930	Fender Assembly
60	55021	Edging Fender
61	53205	Cover, Spring
62	305604	Pad, Hood Foam
63	58279	Bracket, Fender
64	305770	Decal, Caution
65	57547	Switch
66	49335	Spring, Seat
67	53744	Clip, Seat
68	305602	Pad, Hood Foam
69	305603	Pad, Hood Foam
70	305387	Bracket, Seat Stop
71	302546	Console
72	2968	Spacer, Flatwasher
73	20864	Retaining Ring
74	57196	Rod, Clutch Pedal
75	58234	Foot Pad, R.H.
76	57847	Spring, Return
77	48160	Pad, Clutch/Brake
78	68903	Decal, Parking Brake
79	300308	Brake Pedal Assembly
80	302545	Main Frame
81	120382	Flatwasher, 5/16 In.
82	55273	Nut, Hex 5/16-18 Thd.
83	12381	Foot Pad, L.H.
84	9784	Bracket, Grille, R.H.
85	9785	Bracket, Grille, L.H.
86	56030	Screw, Hex Hd 5/16-18 x 3/4 In.
87	56361	Bracket, Axle Support

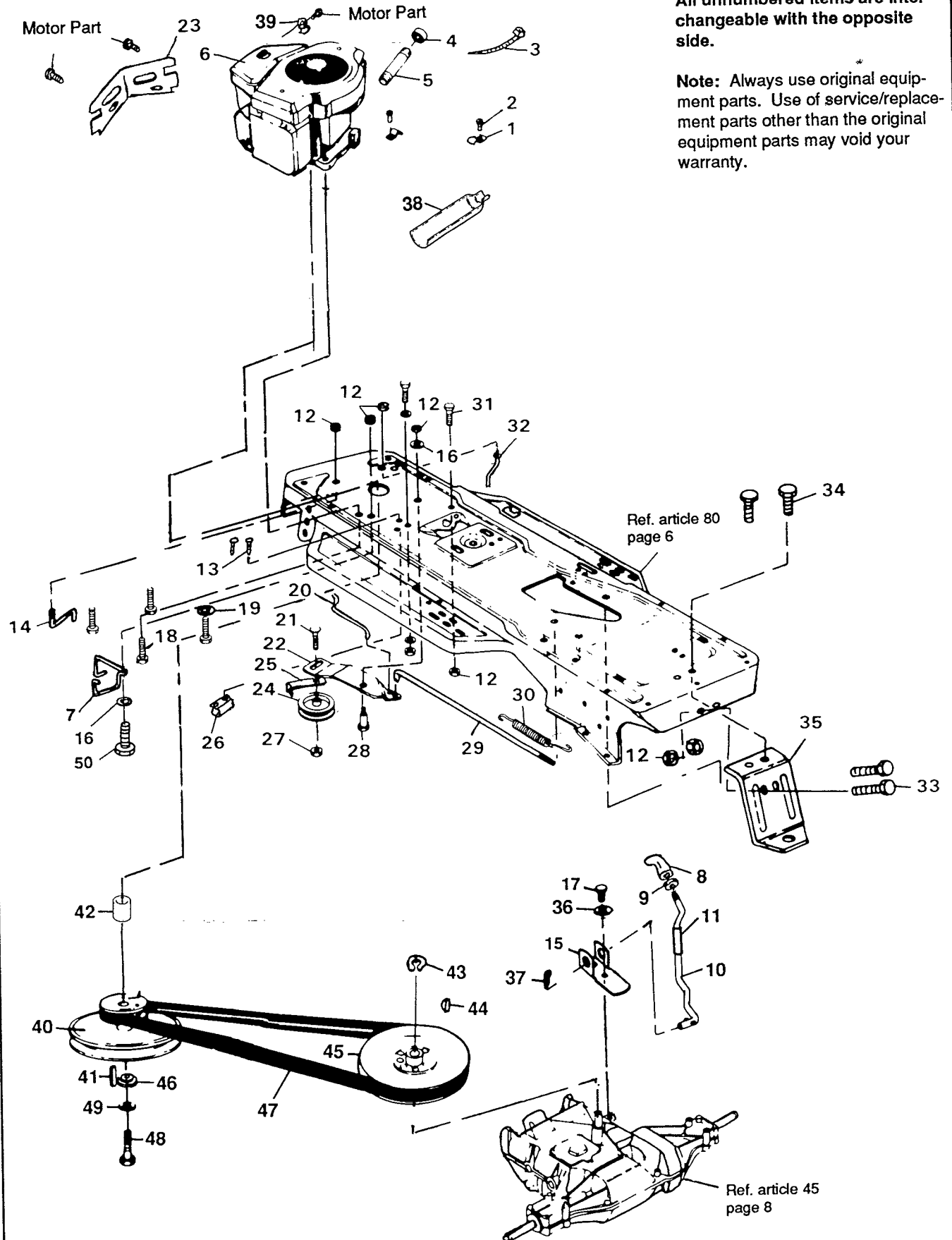
(* Standard hardware items - may be purchased locally.

Repair Parts

45" Lawn Tractor Model 3583-4700

All unnumbered items are interchangeable with the opposite side.

Note: Always use original equipment parts. Use of service/replace-ment parts other than the original equipment parts may void your warranty.



Repair Parts

45" Lawn Tractor Model 3583-4700

Key No.	Part No.	Description
1	56538	Clip, Cable
2	35258	Screw, Taptite #10-24 x 3/8 In.
3	57444	Wire Tie
4	47828	Cap, Oil Drain Tube
5	52404	Tube, Oil Drain
6	Engine	See Footnote Below
7	58356	Guide Belt/Drag Link
8	304438	Knob
9	120238	Jam Nut 1/2-13 Hex
10	302217	Shift Lever
11	302245	Shift Tube
12	1498	Locknut, Hex 5/16-18 Thd.
13	57220	Scrw, Pan Hd
14	300634	Belt Guide
15	57480	Assembly, Shift Bracket
16	45602	Washer, 5/16 In.
17	56255	Screw, Hex Hd Nylon .14-28 x 3/4 In.
18	50947	Screw, Taptite 3/8-16 x 1-1/4 In.
19	138489	Internal Lockwasher
20	57204	Rod, Clutch
21	45892	Carriage Bolt 3/8-16 x 1-1/2 In.
22	300154	Idler Arm
23	9240	Bulkhead
24	303031	Pulley, Idler
25	399659	Belt Retainer

Key No.	Part No.	Description
26	57476	Switch
27	1499	Locknut, 3/8-16 Thd.
28	300793	Shoulder Bolt
29	57203	Brake Rod
30	56359	Spring, Clutch
31	120229	* Screw, Hex Hd 5/16-18 x 5/8 In.
32	300440	Belt Guide
33	120228	Screw, Hex Hd 5/16-18 x 5/8 In.
34	48148	Screw, Taptite 3/8-16 x 1 In.
35	305158	Hitch Frame
36	57157	Washer, Special
37	137185	Cotter Pin
38	54873	Trough, Oil Drain
39	56538	Wire Retainer
40	305637	Pulley, Engine
41	57555	Key, 1/4 x 1/4 x 1-1/2 In.
42	304246	Spacer, Engine Pulley
43	22053	Ring, Retaining
44	3021	Key, Woodruff
45	54692	Pulley, Input
46	56431	Washer, Pilot
47	57556	V-Belt
48	215667	Screw, Hex Hd 7/16-20 x 1 In.
49	120383	* Lockwasher, Split 7/16 In.
50	180079	Screw, Hex Hd 5/16-18 x 2-1/4 In.

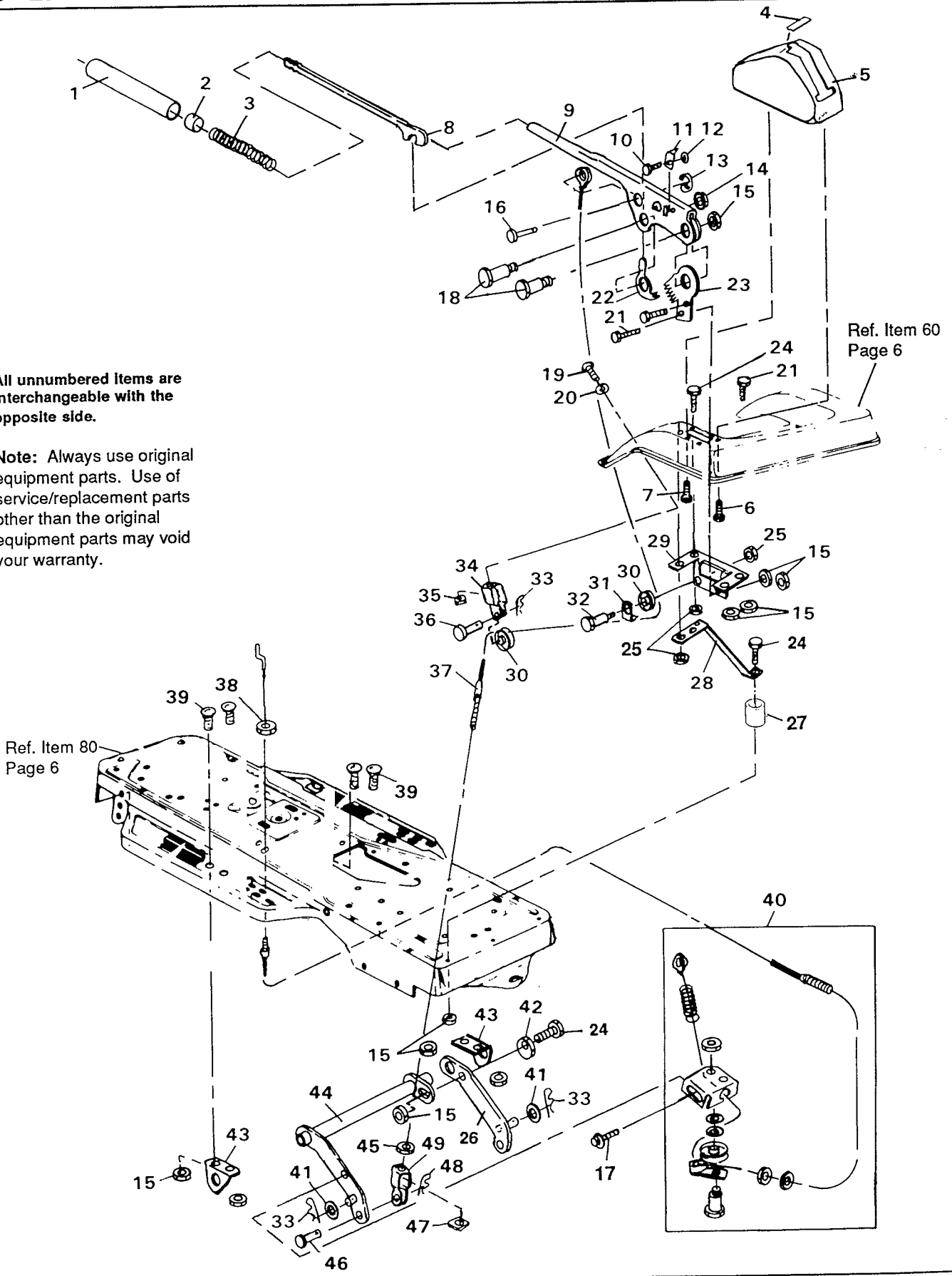
(*) Standard hardware items - may be purchased locally.

Repair Parts

45" Lawn Tractor Model 3583-4700

All unnumbered items are interchangeable with the opposite side.

Note: Always use original equipment parts. Use of service/replacement parts other than the original equipment parts may void your warranty.



Repair Parts

45" Lawn Tractor Model 3583-4700

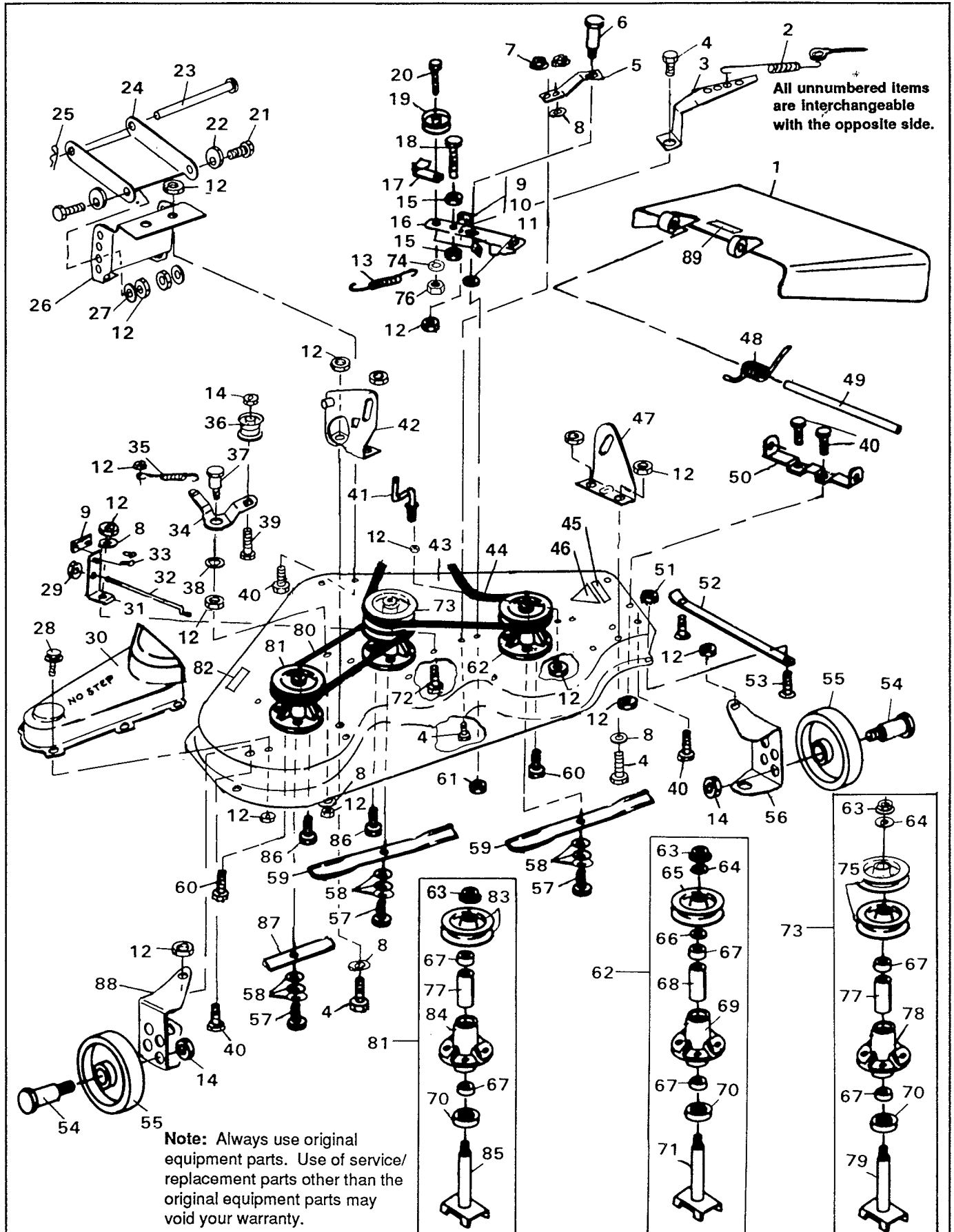
Key No.	Part No.	Description
1	58329	Hand Grip, Height Adjust Lever
2	58325	Knob, Height Adjust Lever
3	58326	Spring, Height Adjust Lever
4	301897	Decal, Height Adjust
5	300339	Cover, Height Adjust Lever
6	300302	Screw, #10 x 1/2 In.
7	301538	Screw, #10 x 1 In.
8	58330	Actuator Rod, Height Adjust Lever
9	9143	Lever Height Adjust
10	35287	Screw, Hex Wa Hd #8-32 x 3/4 In.
11	9435	Pointer, Height Adjust Lever
12	138479	Lockwasher, Ext. Lock
13	300311	"E" Ring
14	44108	Wide Flange Locknut, 5/16-18 Thd.
15	1498	Locknut, Hex 5/16-18 Thd.
16	300310	Pin, Clevis
17	35498	Screw, Taptite 5/16-18 x 3/4 In.
18	300171	Shoulder Bolt
19	439455	Screw, Pan Hd 5/16-18 x 9/16 In.
20	9643	Washer, Curved 11/32 In.
21	180077	* Screw, Hex Hd 5/16-18 x 3/4 In.
22	301239	Pawl Assembly
23	301238	Quadrant Assembly
24	180079	* Screw, Hex Hd 5/16-18 x 1 In.
25	1502	Locknut, Hex 1/4-20 Thd.

Key No.	Part No.	Description
26	9186	Link Assembly, Right Side
27	57744	Spacer
28	300217	Brace, Height Adjust Lever Support
29	58333	Bracket, Height Adjust Lever Support
30	39298	Pulley
31	9149	Bracket, Retainer
32	58336	Shoulder Bolt
33	8260	Hair Pin Cotter
34	9239	Clevis
35	120373	Nut, Square 5/16-18 Thd.
36	300317	Pin, Clevis
37	302213	Cable, Deck Lift
38	120613	* Nut, Hex 1/4-28 Thd.
39	126211	* Carriage Bolt, 5/16-18 x 5/8 In.
40	301440	Cable Assembly, Blade Engage
41	120396	* Flatwasher 17/32 In.
42	58247	Nut, Adjusting
43	9117	Bracket, Rear Hanger
44	9569	Rear Lift Assembly
45	120375	* Nut, Hex 1/4-20 Thd.
46	39522	Clevis Pin
47	120372	* Nut, Square 1/4-20 Thd.
48	121222	* Pin, Cotter 3/32 x 3/4 In.
49	9405	Rear Clevis, Lift Cable

(*) Standard hardware items - may be purchased locally.

Repair Parts

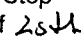
45" Lawn Tractor Model 3583-4700



Repair Parts

45" Lawn Tractor Model 3583-4700

Key No.	Part No.	Description
1	57818	Chute Guard
2	300473	Spring
3	9401	Extension, Idler Arm
4	180077	* Screw, Hex Hd 5/16-18 x 3/4 In.
5	300179	Bracket, Idler
6	300180	Shoulder Bolt
7	44108	Nut, Hex Wide Flange 5/16-18 Thd.
8	120393	Flatwasher 11/32 In.
9	306973	Brake Pad
10	41601	Revet, Brake Pad
11	996416	* Flatwasher 3/8 In.
12	1498	Locknut 5/16-18 Thd.
13	35410	Spring
14	1499	Locknut, 3/8-16 Thd.
15	271172	* Keps Nut, 1/4-20 Thd.
16	300491	Idler Arm Assembly (Incl Nos. 9 & 10)
17	1346	Retainer, Belt
18	121954	* Screw, Hex Hd 1/4-20 x 2 In.
19	303030	Pulley, Idler
20	57325	Carriage Bolt, 3/8-16 x 2 In.
21	122017	* Screw, Hex Hd 5/16-18 x 1 In.
22	58247	Nut, Adjusting
23	58306	Rod, Deck Hitch
24	301091	Bracket, Deck Front
25	8260	Hairpin Cotter
26	58315	Lift Support Plate
27	35214	Flatwasher, 21/64 In.
28	40886	Screw, Tapfit 1/4-20 Thd.
29	1502	Locknut, 1/4-20 Thd.
30	300238	Belt Guard
31	303247	Blade Brake Assembly (Incl. Nos. 9 & 33)
32	300315	Rod, Brake Release
33	135624	Rivet, Brake Pad
34	1343	Idler Arm
35	300215	Spring
36	303029	Pulley, Idler
37	41890	Shoulder Bolt
38	4107	Flatwasher
39	45892	Shoulder Bolt
40	120834	* Screw, Hex Hd 5/16-18 x 1/2 In.
41	57318	Retainer, Belt
42	58251	Bracket, Lift L.H.
43	305546	Mower Deck
44	305667	V-Belt
45	68622	Decal, No Step

Key No.	Part No.	Description
46	70582	Decal, Caution
47	58250	Bracket, Lift R.H.
48	55767	Spring, Discharge Chute
49	57317	Rod, Pivot
50	57360	Bracket, Pivot
51	271184	* Nut, Keps 5/16-18 Thd.
52	57314	Skid Bar
53	126216	* Carriage Bolt, 5/16-18 Thd.
54	23763	Wheel Axle
55	52584	Wheel, Deck
56	300102	Bracket, Wheel Mount R.H.
57	39573	Screw, Hex Hd 3/8-24 x 1 In.
58	2483	Formed Washer
59	56821	Blade
60	300345	* Screw, Hex Hd 5/16-18 x 1-3/8 In.
61	45171	Wide Flange Locknut 5/16-18 Thd.
62	56424	Quill Assembly
63	1282	Locknut, Flange
64	56365	Flatwasher
65	56390	Pulley
66	51449	Spacer
67	49562	Bearing
68	50818	Spacer, Tube
69	55547	Quill
70	50616	Dust Shield
71	56425	Saddle & Shaft Assembly
72	120228	* Screw, Hex Hd 5/16-18 x 5/8 In.
73	304076	Quill Assembly
74	120377	Locknut 3/8-16
75	304077	Pulley
76	120382	Lockwasher, Split 3/8
77	58128	Spacer, Tube
78	58124	Quill
79	58165	Saddle & Shaft Assembly
80	300142	V-Belt
81	58125	Quill Assembly
82	68622	Decal, No Step
83	300294	Pulley Half 
84	58162	Quill
85	58122	Saddle & Shaft Assembly
86	50634	Screw, Hex Hd 5/16-18 x 7/8 In.
87	303014	Blade, 9/52 In.
88	300103	Bracket, Wheel Mount L.H.
89	70613	Decal, Caution

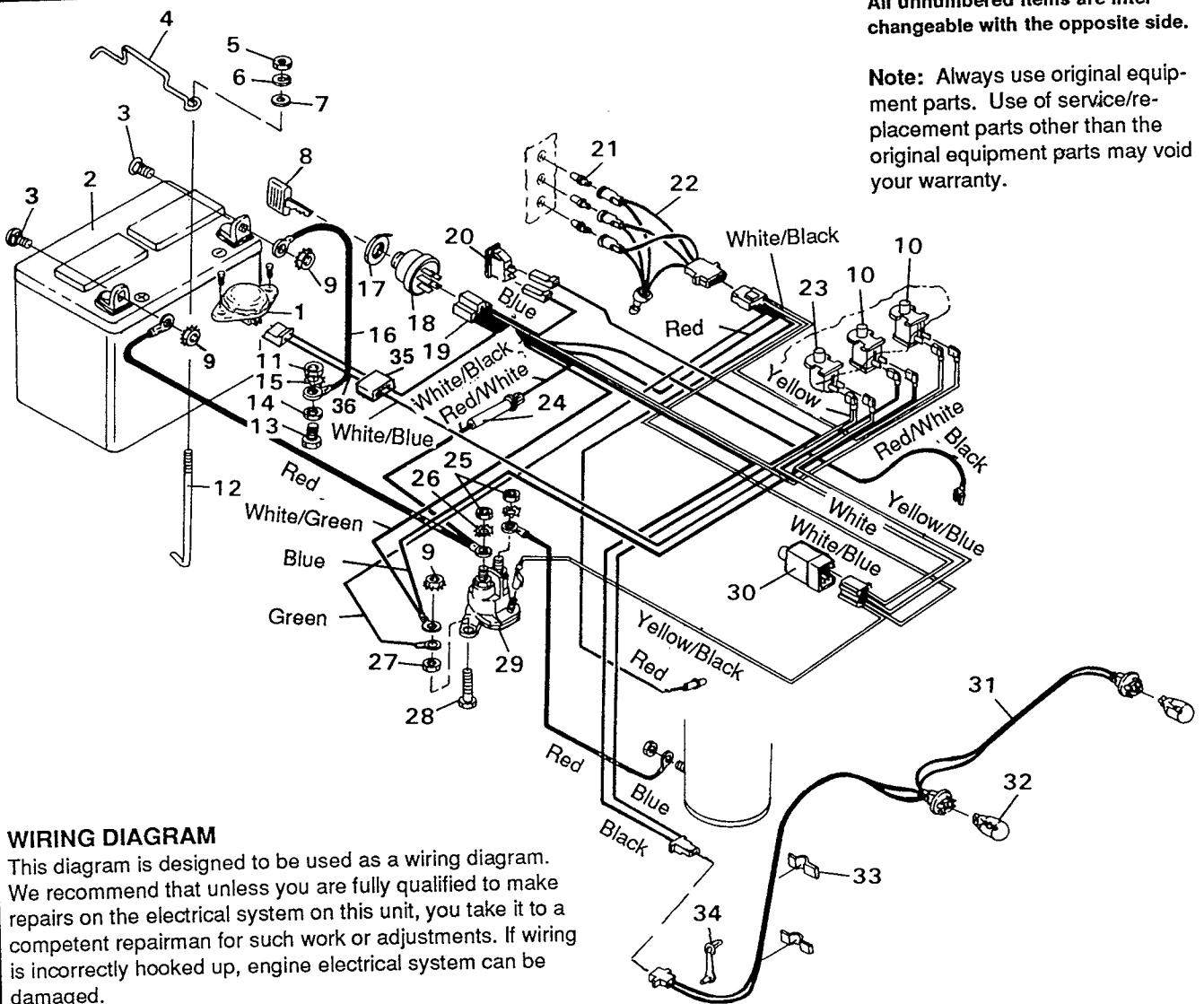
(* Standard hardware items - may be purchased locally.

Repair Parts

45" Lawn Tractor Model 3583-4700

All unnumbered items are interchangeable with the opposite side.

Note: Always use original equipment parts. Use of service/replacement parts other than the original equipment parts may void your warranty.



WIRING DIAGRAM

This diagram is designed to be used as a wiring diagram. We recommend that unless you are fully qualified to make repairs on the electrical system on this unit, you take it to a competent repairman for such work or adjustments. If wiring is incorrectly hooked up, engine electrical system can be damaged.

Key No.	Part No.	Description
1	57547	Switch, Seat
2	300622	Battery
3	120854	Screw, Hex Hd 1/4-20 x 5/8 In.
4	57552	Rod, Battery Top
5	120375	Nut, Reg Hex 1/4-20
6	120380	Washer, Split .263 x .49 x .07 In.
7	120392	Washer, Flat .281 x .63 x .065 In.
8	300626	Key, Ignition
9	271172	Nut, Hex Keps 1/2-20
10	58277	Switch
11	271184	Nut, Hex Keps 5/16-18
12	57551	Rod, Battery
13	122017	Screw, 5/16-18 x 1 In.
14	1498	Locknut, Reg Hex 5/16-18
15	138538	Washer, Reg .32 x .61 x .02 In.
16	55511	Ground Wire
17	300193	Nut 5/18-32
18	300293	Switch

Key No.	Part No.	Description
19	300362	Wire Harness
20	300334	Light Switch
21	57769	Bulb, Indicator
22	300965	Light Harness
23	300220	Safety, Switch
24	302031	Fuse
25	120368	Nut, Reg Hex 5/16-24
26	138485	Washer, .320 x .61 x .03
27	1502	Nut, Reg Hex 1/4-2
28	187745	Screw 1/4-20 x 3/4 In.
29	53716	Solenoid
30	57476	Switch
31	303064	Assembly, Light Wire
32	52572	Bulb, Headlight
33	41482	Clip, Press Wire
34	54888	Retainer, Wire
35	305511	Connector
36	305431	Wire Assembly, Pigtail Seat Switch