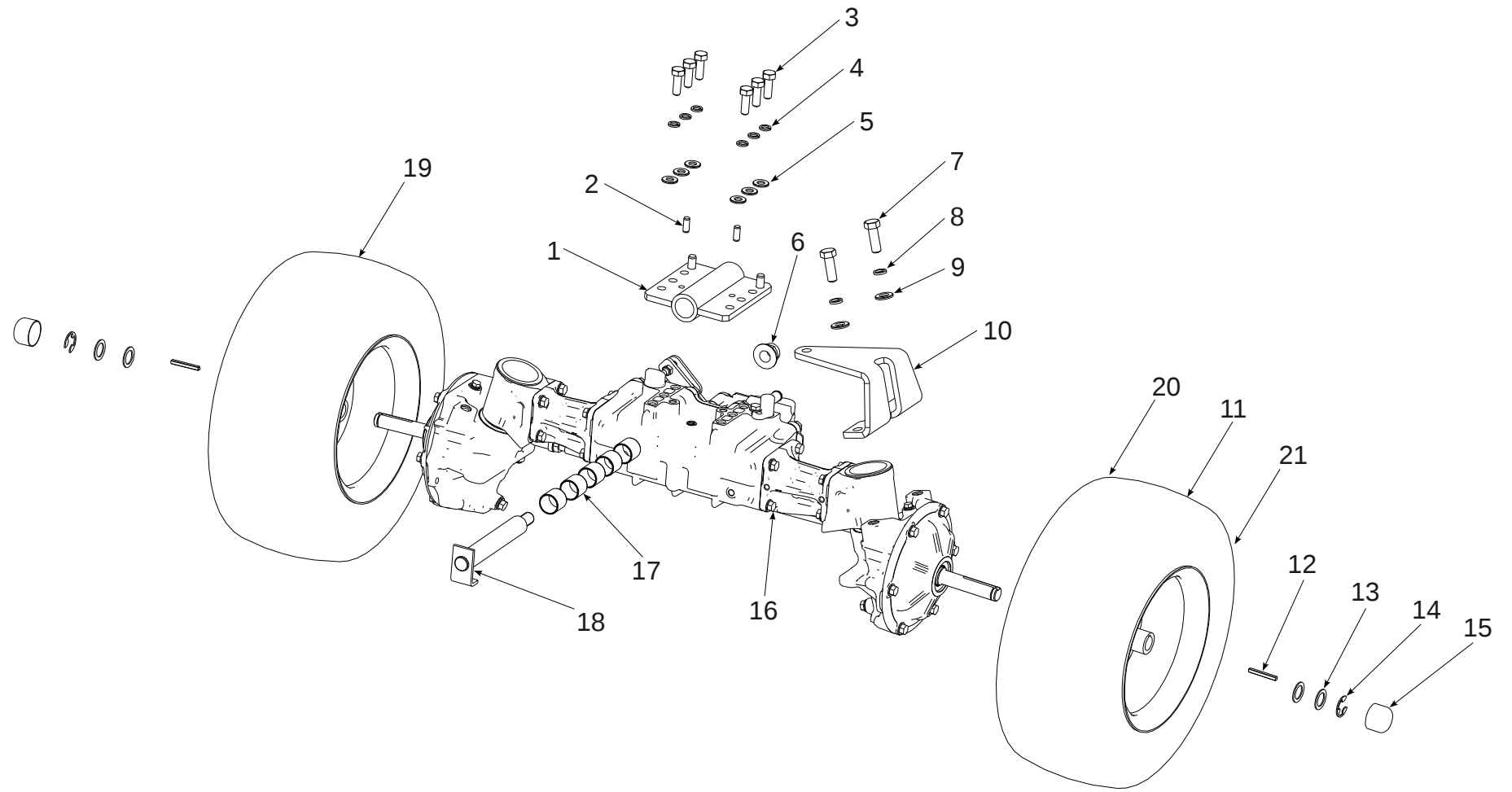
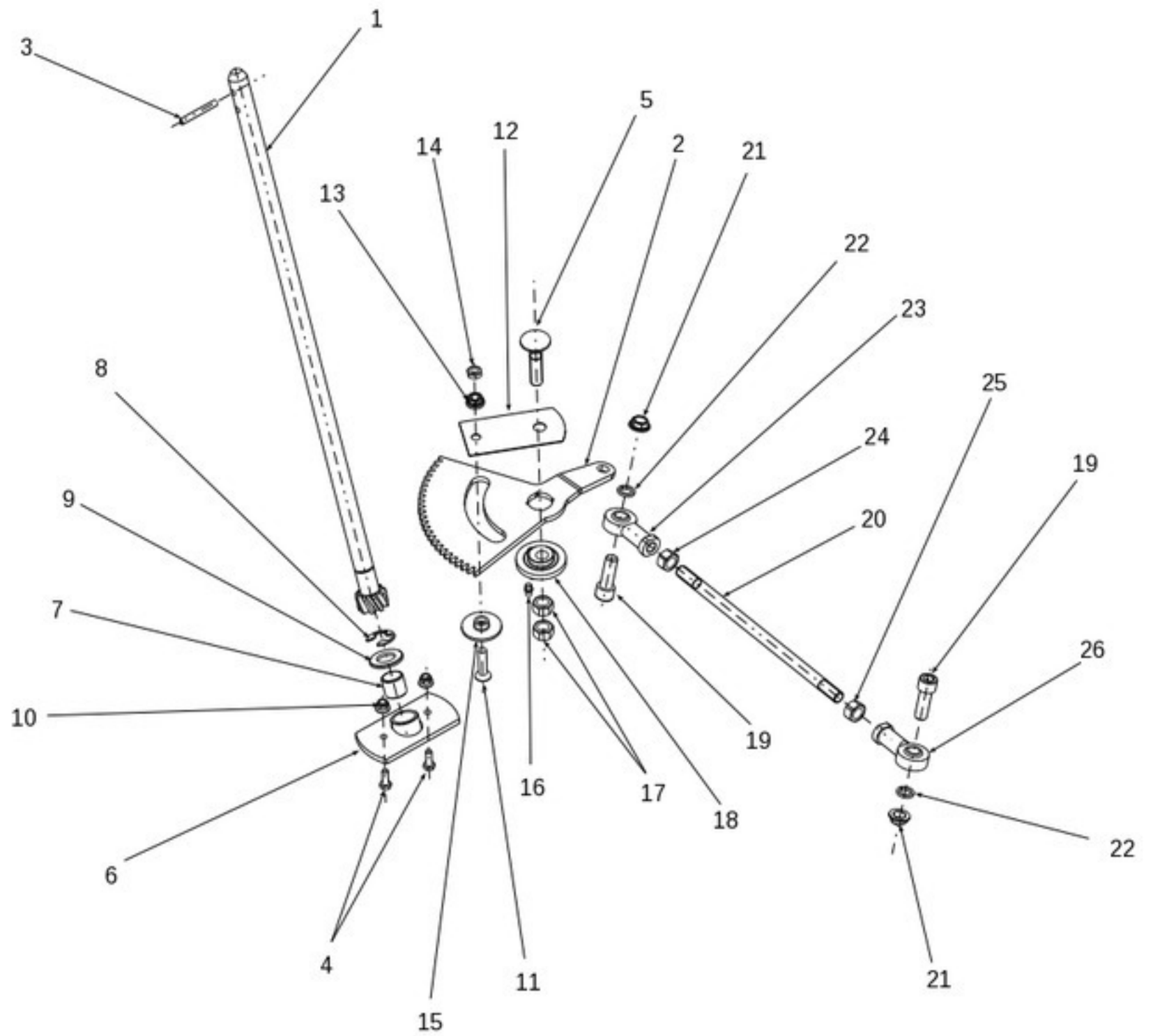


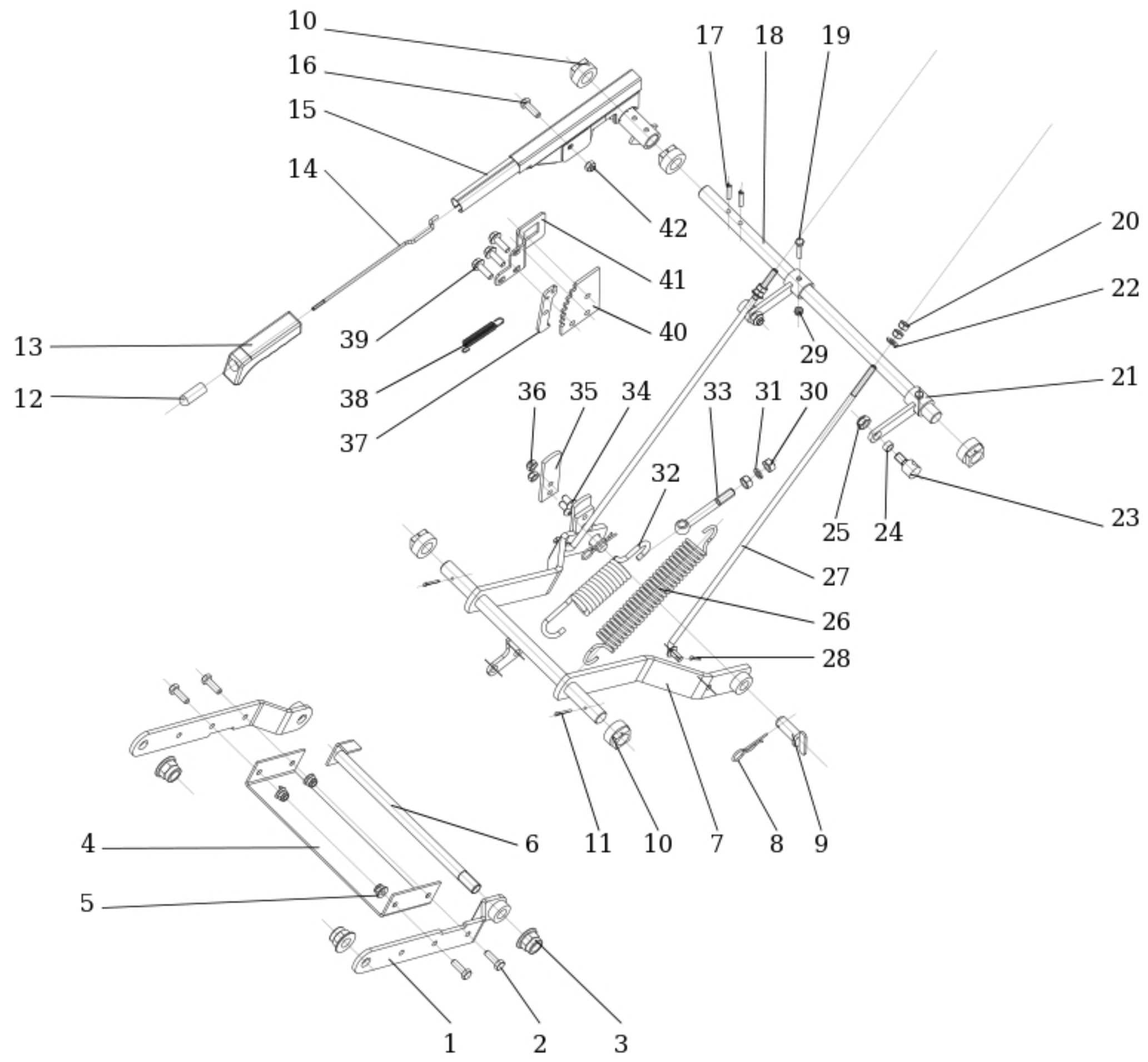
POS	QTY	PARTNUMBER	BESKRIVELSE	DESCRIPTION
1	1	423304	BOLT M8X40	SCREW M 8X40
2	1	424064	CHOKER MK01 9-8074-277	CHOKE MK01 9-8074-277
3	1	423319	SKRUE M5X16	SCREW M 5X16
4	1	423315	SKRUE M4C14	SCREW M 4X14 021131.25
5	1	423314	GASGREB	THROTTLE LEVER 0-8060-239
6	1	423316	MØTRIK M4	NUT M4
7	1	424063	GASHÅNDTAG	THROTTLE LEVER 9-8071-221 GAR-001
8	1	423311	KROG	HOOK 0-9242-240
9	1	423320	MØTRIK M5	NUT M5
10	1	424856	MOTOR	ENGINE 24 HP INTEK
11	1	424855	OLIERØR	EXTENDER
12	1	423309	NOT	SPRING FOR ENGINE BS 12+15HP
13	1	425348	REMHJUL 4X4	ENGINE PULLEY SPA 112
14	1	425349	CHASSIS 4X4	CHASSIS COMPLETE 4X4
15	1	425350	UDSTØDNINGSSKÆRM 4X4	EXHAUST COVER
16	1	423306	SKIVE M8	WASHER 8
17	1	423308	SKRUE	SCREW VYF.IMBUS 5/16X3/4 UNC ZINC
18	1	425351	UDSTØDNINGSRØR HØJRE	EXHAUST TUBE RIGHT
19	1	425352	UDSTØDNINGSRØR VENSTRE	EXHAUST TUBE LEFT
20	1	425353	HOLDER 4X4	EXHAUST HOLDER
21	1	424849	UDSTØDNING TWIN	EXHAUST NELSON 24500 N- 20 V-TWIN
22	1	423312	SKRUE M8X25	SCREW M 8X25 KL 100 RIPP V ZINC
23	1	425354	BOLT M10X16	SCREW M 10X16
24	1	424618	SKIVE 10	WASHER 10
25	1	425355	EXTENDER	EXTENDER
26	1	423312	SKRUE M8X25	SCREW M 8X25 KL 100 RIPP V ZINC
27	1	423307	MØTRIK M8	NUT M 8 DIN 6926 8 ZINC
29	1	423327	SKRUE ST 6.3X19	SCREW ST 6.3X19 DIN7504-K BN1880
30	1	423317	BESLAG	REINFORCEMENT



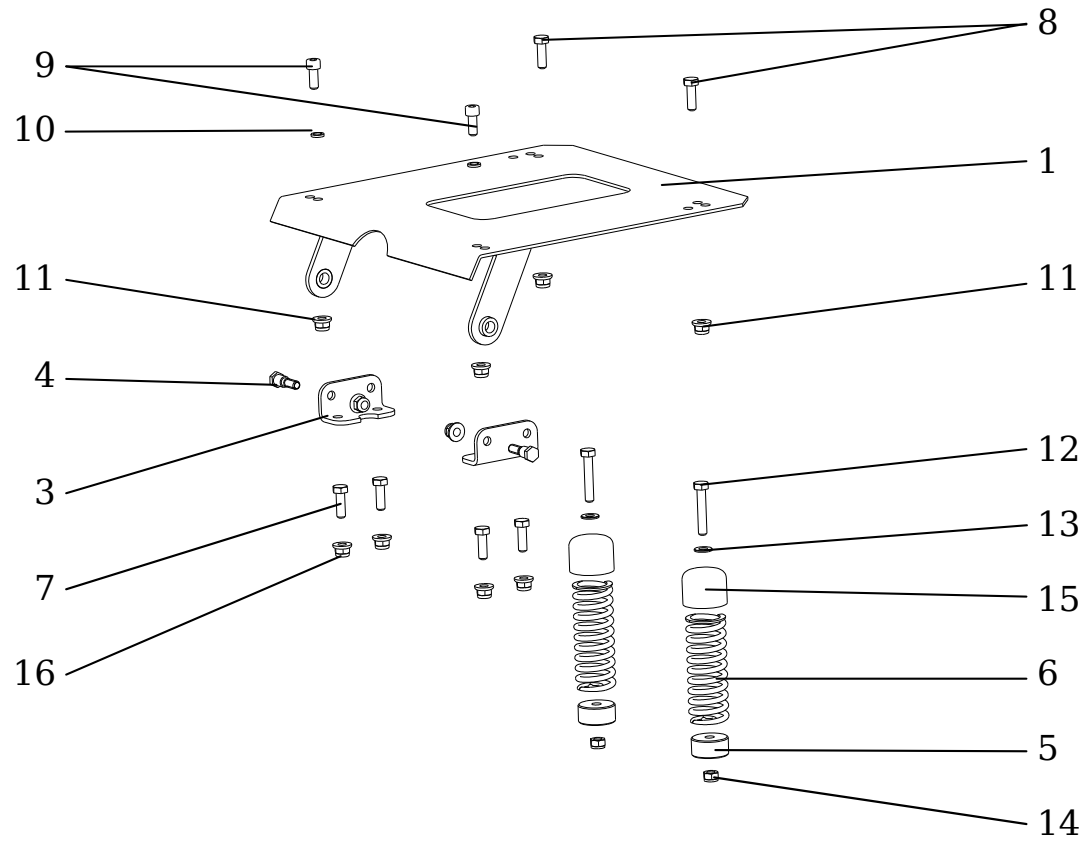
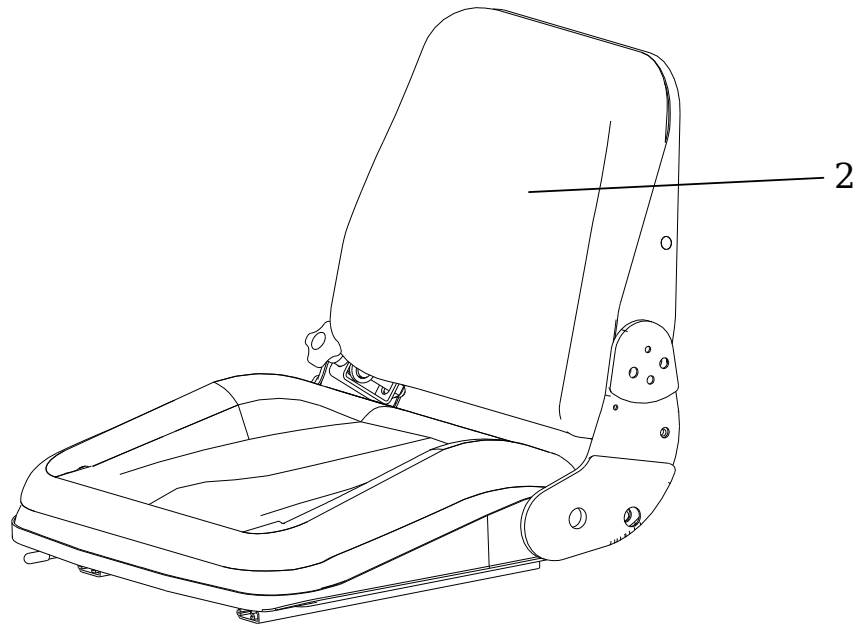
POS	QTY	PARTNUMBER	BESKRIVELSE	DESCRIPTION
1	1	425207	HOLDER	AXLE HOLDER COMPLETE
2	1	425222	STIFT 8X20A	PIN 8X20 A
3	1	425218	BOLT M10X30	SCREW M10X30 DIN 933-10,9
4	1	424618	SKIVE 10	WASHER 10
5	1	423405	SKIVE 10,5	WASHER 10.5
6	1	423351	MØTRIK M16 DIN 6926	NUT M 16 DIN 6926
7	1	425219	BOLT M12X35	SCREW M12X35 DIN 933-10,9
8	1	423377	SKIVE M12	WASHER 12
9	1	423608	SKIVE 13	WASHER 13
10	1	425357	STYRESTANG	STEERING LEVER
11	1	424099	FORHJUL VENSTRE 16X6.5-8 SL	WHEEL FRONT, LEFT 16X6.5-8 SL (4X4)
12	1	425108	NOT	SPRING
13	1	424590	SKIVE	WASHER
14	1	423546	LÅSERING E-75-3/4	LOCK RING E-75 3/4
15	1	425109	NAVKAPSEL 32X25	COVER 32X25 VINYL-FLEX
16	1	425087	FORAKSEL KXH 10 N	AXLE FRONT KXH 10N
17	1	424584	KUGLELEJE	BEARING BUSHING WSM-2528-25W300
18	1	425358	STIFT	PIN COMPLETE
19	1	424100	FORHJUL HØJRE 16X6.5-8 SL	WHEEL FRONT, RIGHT 16X6.5-8 SL (4X4)
20	1	424857	DÆK 16X6,50-8	TYRE 16X6,50-8 CROSS 4X4
21	1	425359	FÆLGE 5,50X8	WHEEL DISK 5,50X8 FRONT CROSS 4X4



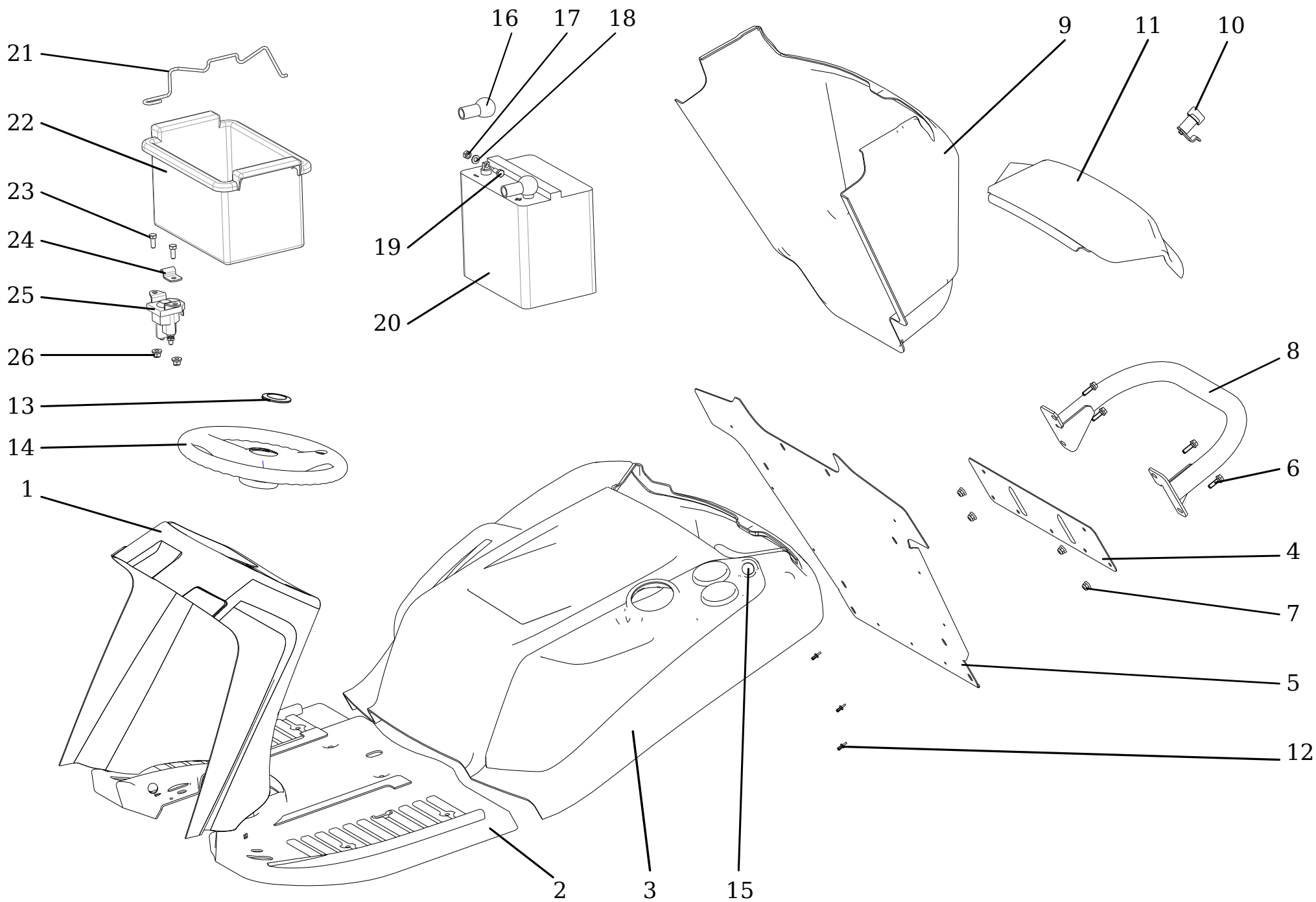
POS	QTY	PARTNUMBER	BESKRIVELSE	DESCRIPTION
1	1	424865	RATSTAMME	PINION COMPL,
2	1	424068	STYREPLADE 4X4	TOOTHED SEGMENT
3	1	423363	RØRSPLIT 6X45	SPRING PIN 6X45
4	1	423368	BOLT M6X20	SCREW M 6X20
5	1	423367	SKRUE M12X55.8.8 A3L ISO 8677	SCREW M 12X55.8.8 A3L ISO 8677
6	1	424867	HOLDER	BEARING
7	1	423376	BØS 1920	BUSHING 1920 KU
8	1	423353	LÅSERING 15	LOCK RING 15
9	1	423340	SKIVE 19	WASHER 19
10	1	423370	MØTRIK M6 DIN 6926	NUT M 6 DIN 6926
11	1	423364	SKRUE M8X35	SCREW M 8X35 DIN 7991 10.9 ZINC
12	1	425360	SKIVE 4X4	WASHER
13	1	423374	MØTRIK M8	NUT M8 DIN 6923 8 ZINC. TOOTHED
14	1	423372	MØTRIK M8	NUT M 8
15	1	423361	BØS	SPACER
16	1	423348	SMØRENIPPEL MK6X1	LUBRICATING HEAD MK 6X1
17	1	423359	MØTRIK M12	NUT M 12
18	1	423360	BESLAG	ECCENTRIC
19	1	424869	UNBRAKOBOLT M12X40	SCREW M 12X40
20	1	425361	FORBINDELSESSTANG 9-8042-230	CONNECTING ROD 9-8042-230
21	1	423346	MØTRIK M12	NUT M 12 DIN 6923 8 ZINC. TOOTHED
22	1	423377	SKIVE M12	WASHER 12
23	1	423358	STYRLED	JOINT HEAD PHS 12 CN
24	1	423359	MØTRIK M12	NUT M 12
25	1	424871	MØTRIK LINKS M12	NUT M 12 L
26	1	424067	STYREKUGLE 12L	JOINT HEAD PHS 12L CN



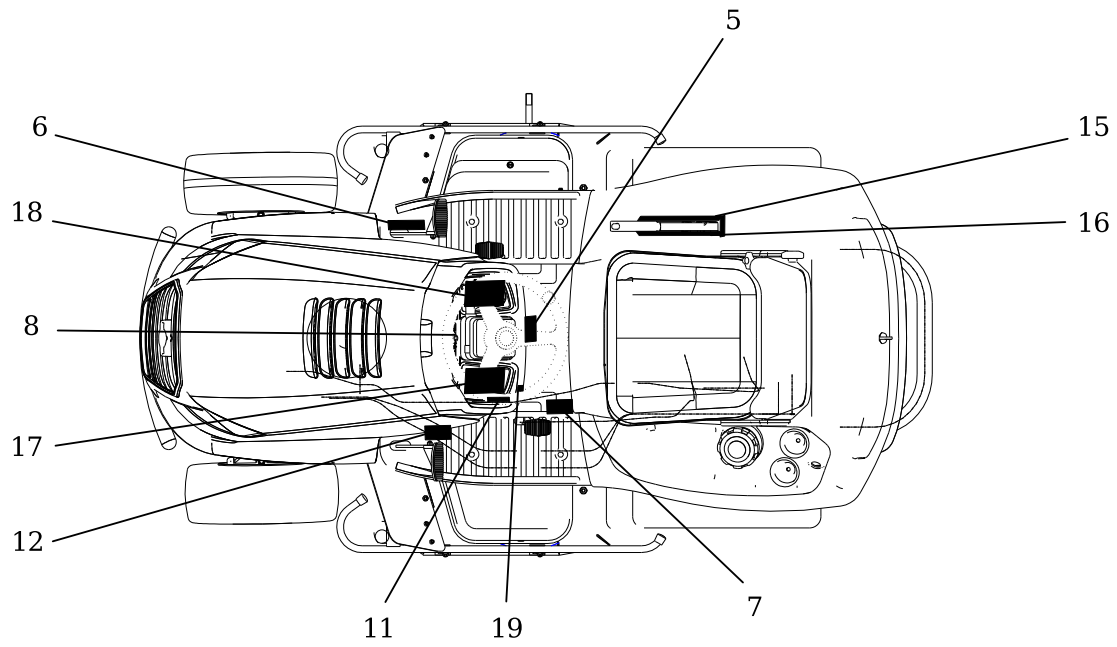
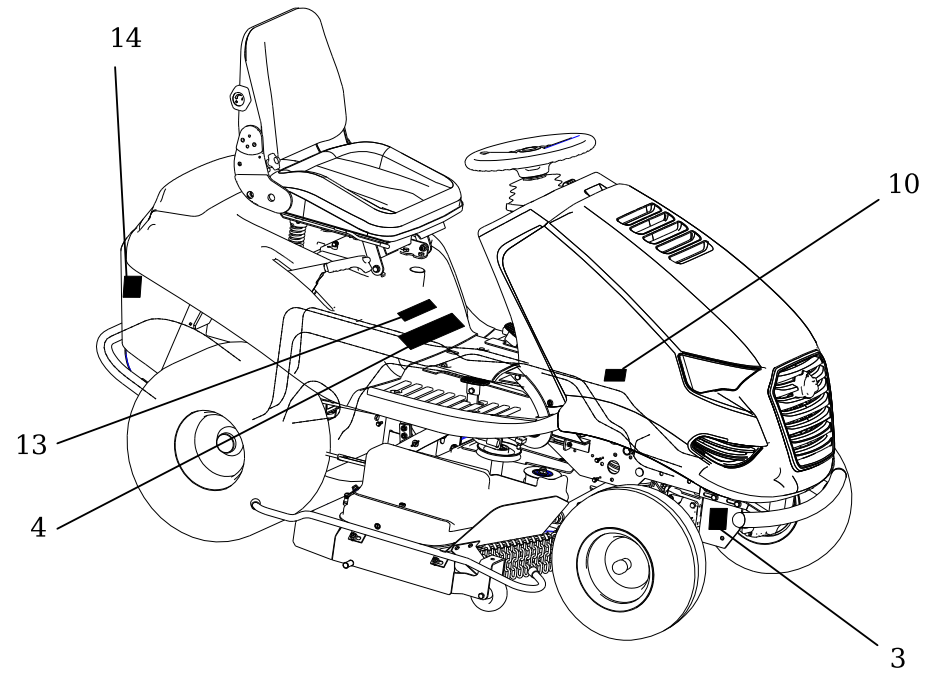
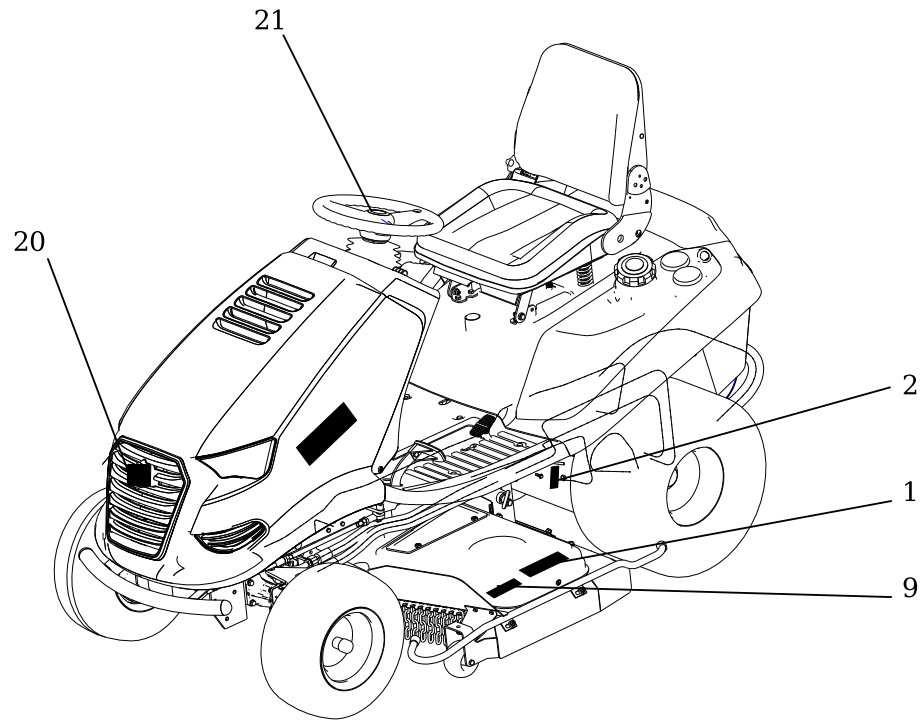
POS	QTY	PARTNUMBER	BESKRIVELSE	DESCRIPTION
1	1	425362	ARM 4X4	FRONT LIFTING ARM
2	1	423404	SKRUE M8X25	SCREW M 8X25
3	1	423351	MØTRIK M16 DIN 6926	NUT M 16 DIN 6926
4	1	425363	HOLDER 4X4	FRONT ARM REINFORCEMENT
5	1	423307	MØTRIK M8	NUT M 8 DIN 6926 8 ZINC
6	1	424874	AKSEL	SHAFT
7	1	424875	ARM	LIFTING ARMS
8	1	423400	SPLIT	FLEXIBLE SPINDLE 0-9245- 999
9	1	423399	STIFT	PIN COMPLETE
10	1	424876	BØS	BUSHING 0-9462-201
11	1	423381	SPLIT 3.2X25	SPINDLE 3.2X25
12	1	424877	HÆTTE	END PIECE 0-8025-234
13	1	424878	GREB	HANDLE 0-8060-236
14	1	424879	FORBINDELSSESSTANG	CONNECTING ROD 0-8545- 237
15	2	424880	HÅNDTAG	LEVER COMPLETE
16	2	423404	SKRUE M8X25	SCREW M 8X25
17	2	424881	SPLIT 6X30	SPRING PIN 6X30
18	2	424882	AKSEL	SHAFT
19	1	424883	SKRUE M6X35	SCREW M 6X35
20	2	424527	MØTRIK M8	NUT M 8
21	2	424884	ARM	ARM COMPLETE
22	2	423416	SKIVE M8.4	WASHER 8.4
23	2	424885	SKRUE	SCREW
24	2	424886	AFSTANDBØS	DISTANCE SPACER
25	2	423385	MØTRIK M10	NUT M 10
26	2	423401	FJEDER	SPRING 0-9746-460
27	2	424887	STANG	TIE ROD 9-8040-232
28	2	423407	SPLIT 3.2X20	SPINDLE 3.2X20
29	2	423345	MØTRIK M6	NUT M 6
30	1	423395	MØTRIK M10	NUT M 10
31	1	424618	SKIVE 10	WASHER 10
32	1	424888	FJEDER	SPRING 0-9746-465
33	1	424889	SKRUE M10X90	SCREW M 10X90 DIN 444-4,6
34	1	424747	MASKINESKRUE M8X20	SCREW M 8X20 ISO 7380 10,9 ZINC
35	1	425364	PLADE 4X4	BACKSTOP
36	1	423406	MØTRIK M8	NUT M 8
37	1	424891	PLADE	LATCH
38	1	424892	FJEDER	SPRING 0-9746-439
39	1	423312	SKRUE M8X25	SCREW M 8X25 KL 100 RIPP V ZINC
40	1	424893	STYRPLADE	TOOTHED SEGMENT
41	1	424894	HOLDER	HOLDER
42	1	423406	MØTRIK M8	NUT M 8



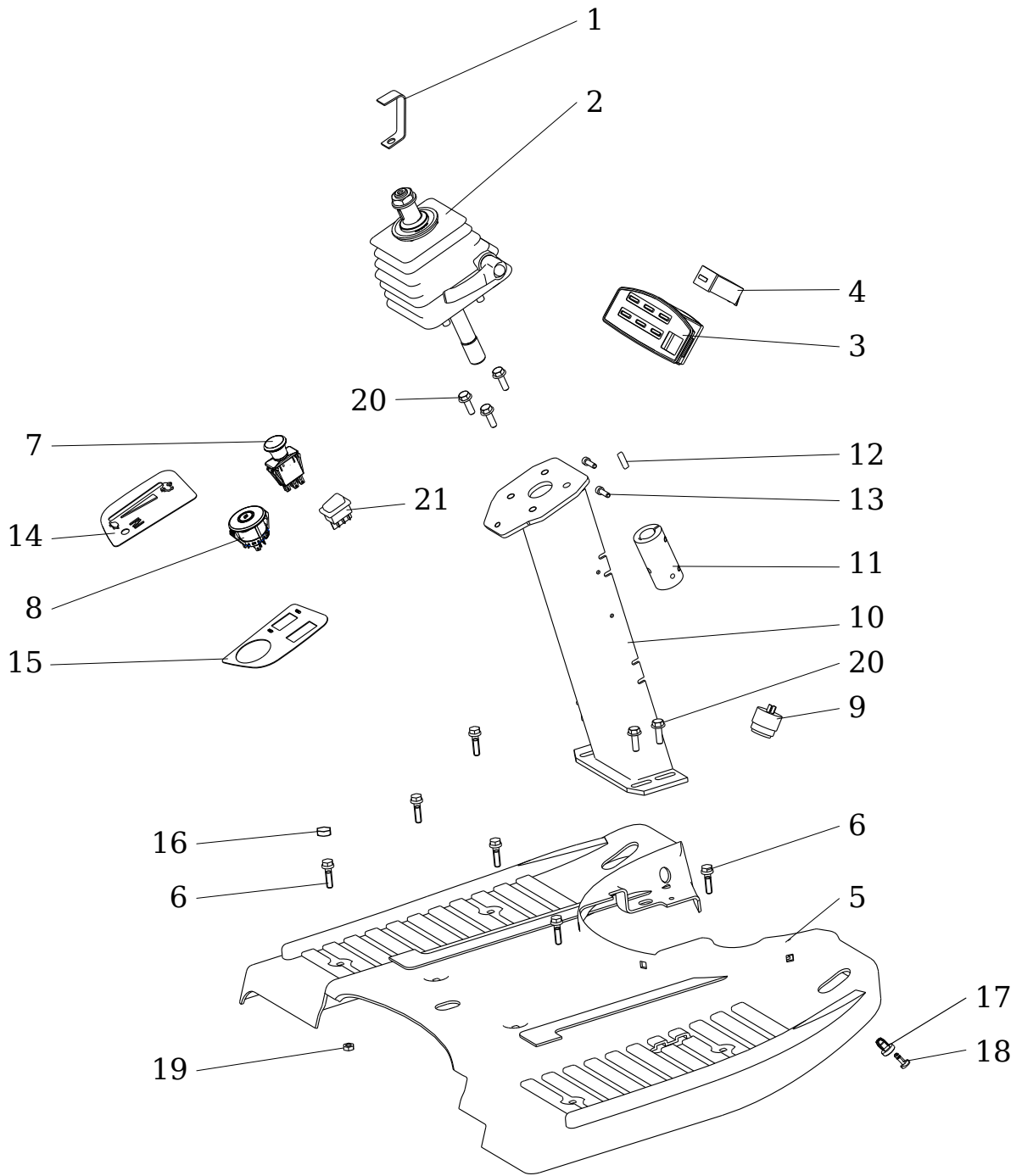
POS	QTY	PARTNUMBER	BESKRIVELSE	DESCRIPTION
1	1	424895	SÆDEBESLAG	SEAT CARRIER
2	1	424896	SÆDE RM52	SEAT MIRALBUENO RM52
3	1	424897	SÆDEBESLAG HOLDER	SEAT HOLDER
4	1	424732	BOLT	CARRIER SCREW
5	1	424898	AFSTANDBØS	SPACER
6	1	423419	FJEDER	SPRING 0-9746-434
7	1	423404	SKRUE M8X25	SCREW M 8X25
8	1	423420	BOLT M8X20	SCREW M8X20
9	1	424739	BOLT M8X20	SCREW M 8X20
10	1	423306	SKIVE M8	WASHER 8
11	1	423307	MØTRIK M8	NUT M 8 DIN 6926 8 ZINC
12	1	423477	BOLT M8X45	SCREW M8X45
13	1	423418	SKIVE M8X25	WASHER 9 ZINC
14	1	423406	MØTRIK M8	NUT M 8
15	1	423417	DÆKSEL	COVER 38/A PVC BLACK
16	1	423307	MØTRIK M8	NUT M 8 DIN 6926 8 ZINC



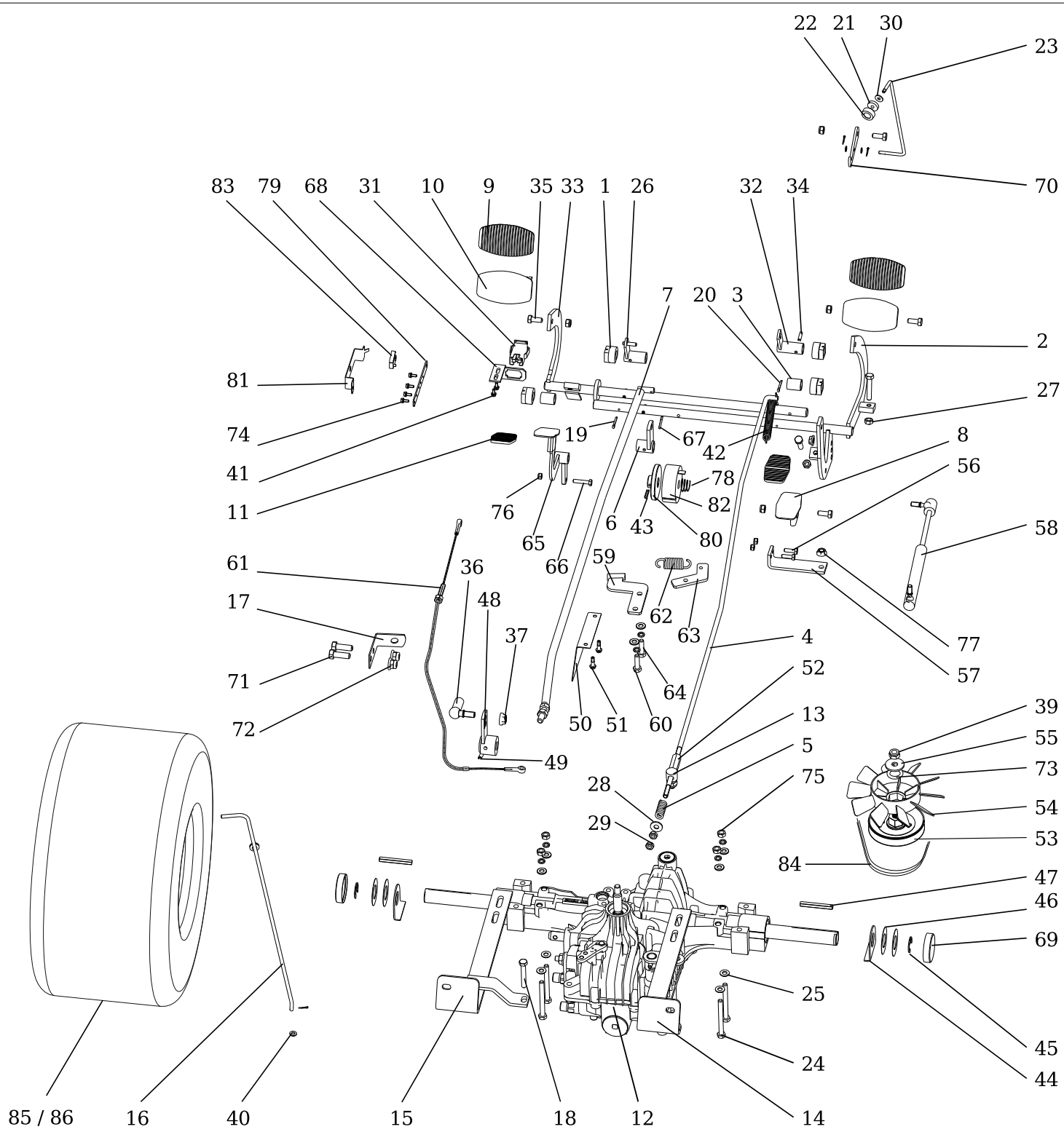
POS	QTY	PARTNUMBER	BESKRIVELSE	DESCRIPTION
1	1	425365	PANEL 4X4	PANEL 0-8048-331
2	1	424900	FODPLADE	FLOOR 0-1847-417 M 2000
3	1	425366	DOBBELTSKÆRM 4X4	DOUBLEFENDER 0-1847-448 SPEC
4	1	424902	PLADE	STIFFENER
5	1	424903	BAGSPLADE SPECIAL	REAR BOARD SPECIAL
6	1	423516	BOLT M8X25	SCREW M 8X25 DIN 6921 8.8 ZINC
7	1	423307	MØTRIK M8	NUT M 8 DIN 6926 8 ZINC
8	1	424904	KOFANGER SPECIAL	BUMPER SPECIAL
9	1	424905	BAGSKÆRM SPECIAL	REAR BOX 0-1847-445 MULCHER SP,
10	1	424744	VINGEMØTRIK	LOCK, TURNING E5-1-115-091
11	1	425367	BAGSKÆRM 4X4	BOX COVER 0-1847-449 SPEC,
12	1	423514	NITTE	RIVET SLIDE-IN D=10 PH=6
13	1	424907	AFSKÆRMNING	STEERING WHEEL COVER SEAT - VOL 1
14	1	424908	RAT 1032DAP	STEERING WHEEL SEAT 1032DAP
15	1	424909	ELUDTAG	POWER OUTLET 4800128
16	1	423460	PROP	COVER 273 125 020 050
17	1	423345	MØTRIK M6	NUT M 6
18	1	423322	SKIVE M6X4	WASHER 6.4
19	1	423368	BOLT M6X20	SCREW M 6X20
20	1	424073	BATTERI 12V-32AH	BATTERY 12V-32AH ETECH F-ET-U1-R3
21	1	424910	BATTERIHOLDER	BATTERY HOLDER 0-8545-221U
22	1	424911	BATTERIKASSE	BATTERY BOX 0-2765-201
23	1	423321	SKRUE M6X16	SCREW M6X16
24	1	424912	BESLAG	CLIP
25	1	423431	STARTRELÆ	SOLENOID 12V CLUM 94255
26	1	423370	MØTRIK M6 DIN 6926	NUT M 6 DIN 6926



POS	QTY	PARTNUMBER	BESKRIVELSE	DESCRIPTION
10	1	423438	LABEL	LABEL 0-8730-510
20	1	423440	LABEL	LABEL 0-8732-311
30	1	423310	LABEL	LABEL 0-8732-337
40	1	423441	LABEL	LABEL 0-8732-336
50	1	424917	LABEL	LABELS, 0-8732-358
60	1	423442	LABEL	LABEL 0-8732-444
70	1	424918	LABEL	LABELS 0-8732-544
80	1	425368	LABEL	LABEL 0-8732-536
90	1	423443	LABEL	LABEL 0-8732-559 NOISE
100	1	425237	LABEL	LABEL 0-8732-599 4X4
110	1	423444	LABEL	LABEL 0-8732-841
120	1	423445	LABEL	LABEL 0-8732-842
130	1	425369	LABEL	LABEL 0-8732-864
140	1	424919	LABEL	LABELS 0-8732-941
150	1	424920	LABEL	LABELS, 0-8732-931
160	1	424921	LABEL	LABELS 0-8732-932
170	1	425370	LABEL	LABEL 0-8732-942
180	1	425371	LABEL	LABEL, 0-8732-940
190	1	423448	LABEL RØD	LABEL 0-8732-952 RED
200	1	423450	LABEL	LABEL 1-8732-274
210	1	424924	LABEL	LABELS, 1-8732-323

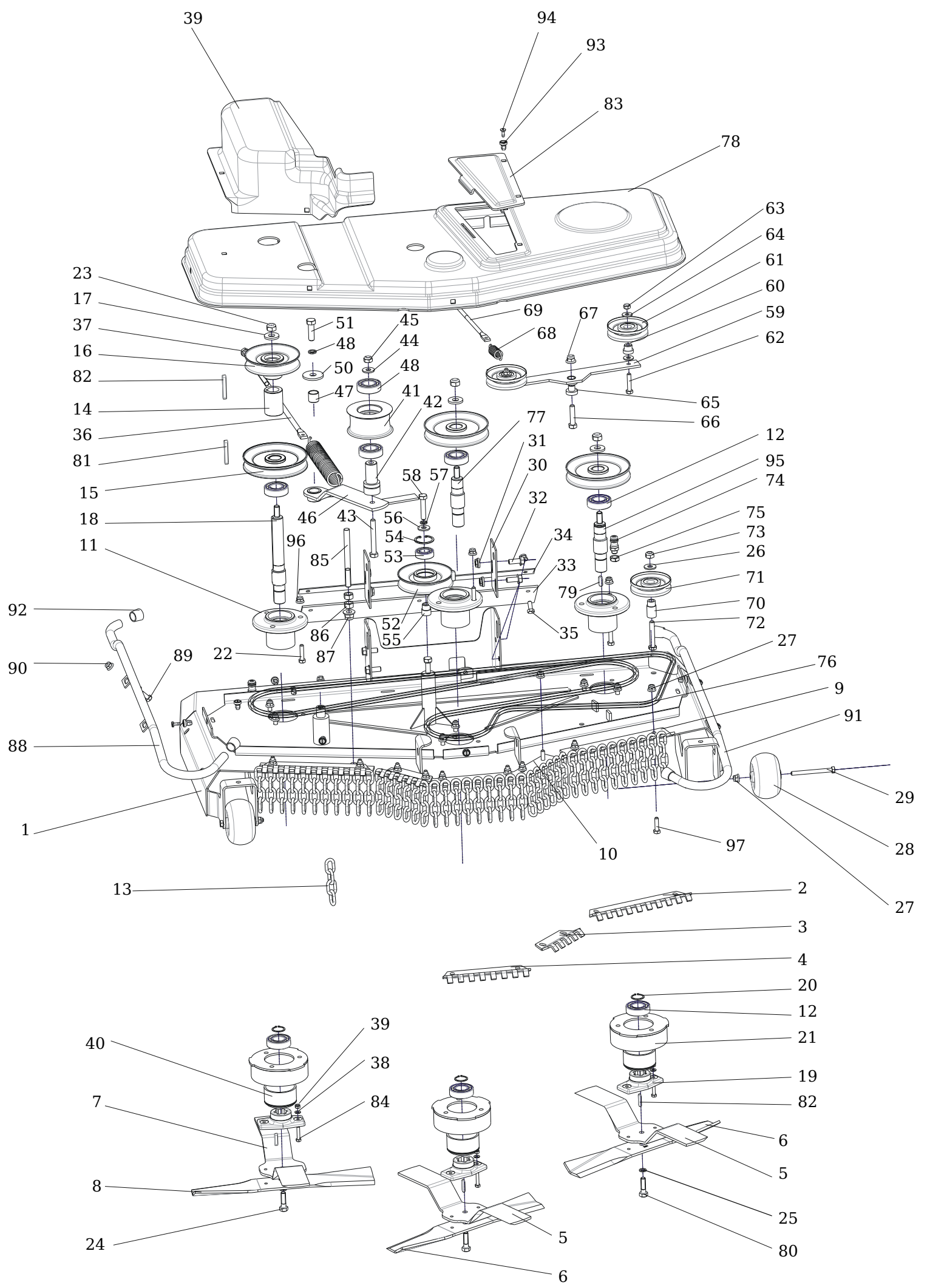


POS	QTY	PARTNUMBER	BESKRIVELSE	DESCRIPTION
1	1	424925	BESLAG	REST
2	1	424926	RATHOLDER	COLUMN INCLINABLE AMA 041-955
3	1	424913	DISPLAY	DISPLAY KS004037
4	1	423434	TIMETÆLLER	HOUR-METER SEN DEC DIGITAL
5	1	424900	FODPLADE	FLOOR 0-1847-417 M 2000
6	1	423457	BOLT M8X30	SCREW M 8X30 DIN 6921 8.8 ZINC
7	1	423432	KONTAKT PTO	SWITCH PTO DELTA 6201-321
8	1	423433	KONTAKT OPSAMLER	SWITCH BOX DELTA 6900-47 P
9	1	423475	STIK	BUZZER PF 27 A 29 EP
1	1	424927	RATSTAMME	STEERING COLUMN
11	1	424928	AKSEL	SHAFT CONNECTION 0-3522- 204
12	1	423578	NOT 6E7X6X28	KEY 6E7X6X28
13	1	424746	SKRUE M6X20	SCREW M 6X20 DIN 912 8,8 ZINK
14	1	424922	LABEL	LABELS 0-8732-862
15	1	424923	LABEL	LABELS 0-8732-938
16	1	424929	HÆTTE	SCREW COVER MOSS 463638
17	1	423478	SÆDE	SEATING D7-201-802-010
18	1	423479	STUDS	STUD D7-201-711-010
19	1	423307	MØTRIK M8	NUT M 8 DIN 6926 8 ZINC
20	1	423312	SKRUE M8X25	SCREW M 8X25 KL 100 RIPP V ZINC
21	1	424930	KONTAKT	SWITCH 1932,3113



POS	QTY	PARTNUMBER	BESKRIVELSE	DESCRIPTION
1	1	423379	BØS	BUSHING 0-9462-202
2	1	425372	ARM 4X4	TRAVEL LEVER
3	1	424986	AFSTANDBØS	SPACER
4	1	424983	STANG 0-08042-250	ROD 0-8042-250
5	1	423523	FJEDER	SPRING 0-9746-449
6	1	423524	ARM KOMPLET	ARM COMPLETE
7	1	425373	ARM 4X4	PÁKA POJEZDU
8	1	424980	PEDAL BAK BAK	REVERSE PEDAL
9	1	424689	GUMMI PEDAL	PEDAL COATING 273 151 010 160
10	1	424978	PEDAL KOMPLET KOMPLET	PEDAL COMPLETE
11	1	423528	PEDALGUMMI	PEDAL COATING 65 137 FAVORIT
12	1	424916	TRANSMISSION	TRANSMISSION K664 E TUFF TORQ
13	1	424885	SKRUE	SCREW
14	1	425374	HOLDER HØJRE	RIGHT HOLDER
15	1	425375	HOLDER VENSTRE	GEARBOX HOLDER K62
16	1	424940	TRÆKSTANG	PULL ROD BYPASS K 66 0-8041-296
17	1	425376	BESLAG 4X4	BYPASS K62 HOLDER
18	1	424559	SKRUE M8X55	SCREW M 8X55
19	1	423381	SPLIT 3.2X25	SPINDLE 3.2X25
20	1	423407	SPLIT 3.2X20	SPINDLE 3.2X20
21	1	423534	SKIVE	WASHER 0-9620-392 T5
22	1	423536	NYLON SORT	ROTARY BUTTON BLACK NYLON KTSR
23	1	424954	BREMSESTANG 9-8042-228	PARKING BRAKE ROD 9-8042-228
24	1	424625	SKRUE M8X80	SCREW M8X80
25	1	423416	SKIVE M8.4	WASHER 8.4
26	1	424942	ARM	FOOT COMPLETE
27	1	424527	MØTRIK M8	NUT M 8
28	1	423418	SKIVE M8X25	WASHER 9 ZINC
29	1	423372	MØTRIK M8	NUT M 8
30	1	423539	SKIVE 5.3	WASHER 5.3
31	1	423436	KONTAKT BREMSE	SWITCH DELTA 6710-01B
32	1	424981	BESLAG	FOOT COMPLETE
33	1	425377	BREMSEPEDAL	BRAKE PEDAL
34	1	424935	SPLIT	SPRING PIN 5X20
35	1	423403	BOLT M8X35	SCREW M 8X35
36	1	424958	STYREKUGLE 16DIN	ZINC ANGLE JOINT 16DIN
37	1	424706	MØTRIK M10	NUT M 10 DIN 6923 8 ZINC, TOOTHED
38	1	424972	LÅS	SAFETY U - STRAP 16 DIN 71805 S Z
39	1	423385	MØTRIK M10	NUT M 10
40	1	423322	SKIVE M6X4	WASHER 6.4
41	1	423513	BOLT ST4,2X13	SCREW ST 4,2X13 DIN7504-K BN1880
42	1	424982	FJEDER 0-9746-445	SPRING 0-9746-445
43	1	423545	FJEDERSPLIT 5X22	SPRING PIN 5X22

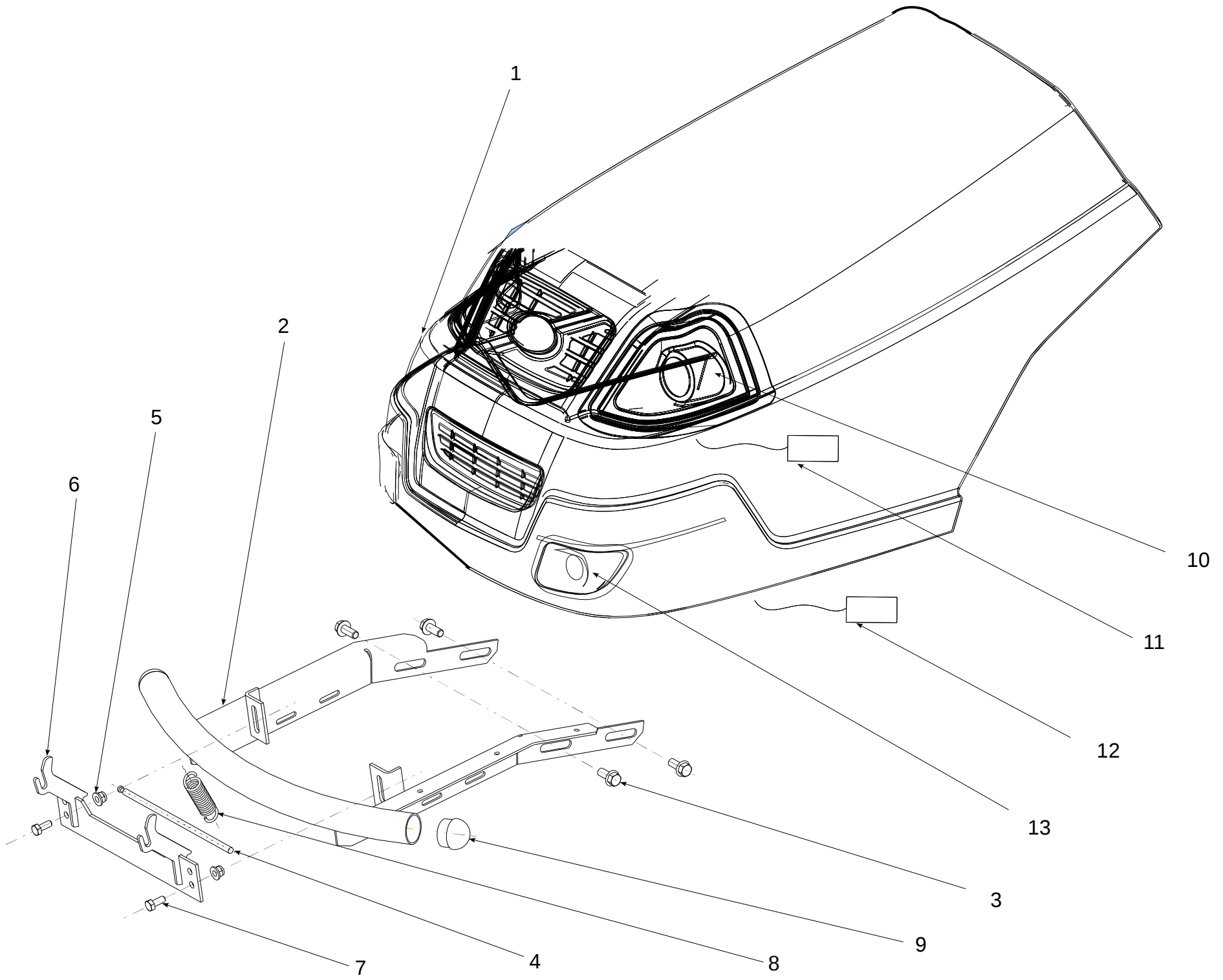
POS	QTY	PARTNUMBER	BESKRIVELSE	DESCRIPTION
44	1	424970	SKIVE	WASHER
45	1	424598	SEEGERRING SE-98	LOCK RING SE-98 1
46	1	424596	SKIVE	WASHER
47	1	424977	FJEDER	SPRING
48	1	425378	HOLDER	LEVER - COMPLETE
49	1	424710	NOT 6X40	SPRING PIN 6X40
50	1	424938	PLADE	COVER
51	1	424939	SKRUE ST5,5X19	SCREW ST 5,5X19 BN 1880
52	1	425379	BOLT	SCREW 0-8011-246 K62
53	1	425380	REMHJUL 4X4	TRAVEL PULLEY
54	1	425381	BLÆSEHJUL 4X4	FAN P/N 5069481-01
55	1	424971	SKIVE 11	WASHER 11
56	1	423368	BOLT M6X20	SCREW M 6X20
57	1	425382	HOLDER 4X4	HOLDER
58	1	424976	GENNEMFØRING	TRAVEL DAMPER K22-99 AGS 283
59	1	424704	HOLDER	HOLDER
60	1	424705	BOLT M8X30	SCREW M8X30 DIN 7500D BN 3326
61	1	424941	KABEL	CABLE 9-8074-301
62	1	424702	FJEDER 0-9746-496	SPRING 0-9746-493 DIFF,LOCK
63	1	424703	ARM	FOOT COMPLETE
64	1	423404	SKRUE M8X25	SCREW M 8X25
65	1	424931	PEDALLÅS	AXLE LOCK PEDAL
66	1	424957	BOLT M6X30	SCREW M 6X30
67	1	424935	SPLIT	SPRING PIN 5X20
68	1	424932	BESLAG	SWITCH HOLDER
69	1	424599	NAVKAPSEL SORT	BLACK COVER GPN 690/3004
70	1	423518	PLADE	LATCH
71	1	423384	SKRUE M10X30	SCREW M 10X30
72	1	423343	MØTRIK M10 DIN 6926	NUT M 10 DIN 6926 ZINC
73	1	425383	RING 28X1,5 DIN3770	RING 28X1,5 NBR DIN3770
74	1	423420	BOLT M8X20	SCREW M8X20
75	1	423406	MØTRIK M8	NUT M 8
76	1	423345	MØTRIK M6	NUT M 6
77	1	423307	MØTRIK M8	NUT M 8 DIN 6926 8 ZINC
79	1	424987	HOLDER	HOLDER
80	1	424975	BREMSEHJUL	BRAKE WHEEL
81	1	424934	DÆKSEL	SWITCH COVER
82	1	424974	CRUISE CONTROL	ELECTROMAGNETIC CRUISE CONTROL VA
83	1	424984	KONTAKT	SWITCH 1022,4501 9-8319-506
84	1	424093	REM 4X4	V-BELT HA 2650LW FARBELT K
85	1	424965	BAGHJUL R20X10,00-8	WHEEL REAR R 20X10,00-8 4PR SUPER
86	1	424988	HJUL VENSTRE 20X10,00-8	WHEEL REAR L 20X10,00-8 4PR SUPER



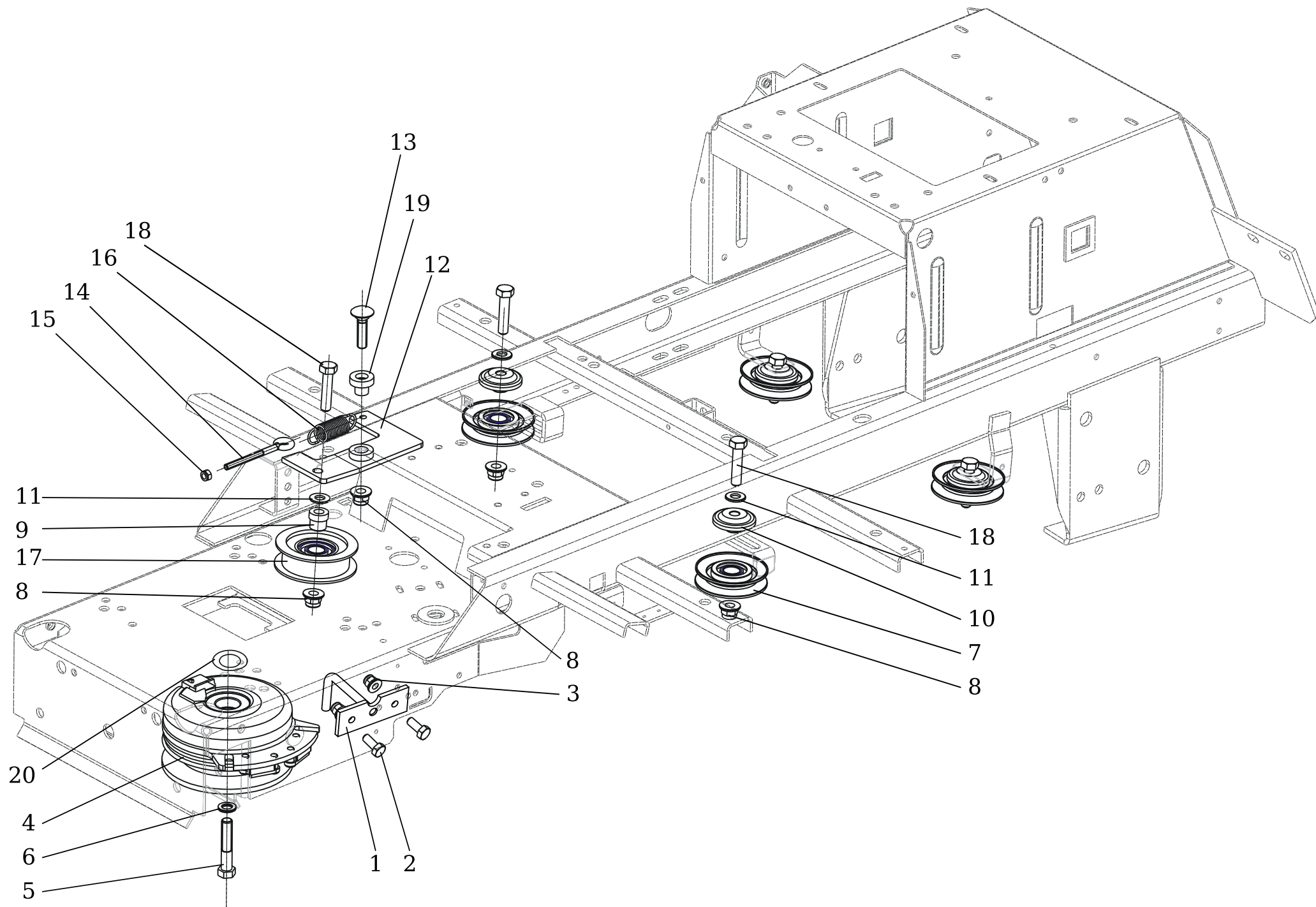
POS	QTY	PARTNUMBER	BESKRIVELSE	DESCRIPTION
1	1	424989	KLIPPESKJOLD	COVER COMPLETE
2	1	424990	HOLDER	HOLDER
3	1	424991	HOLDER	HOLDER
4	1	424992	HOLDER	HOLDER
5	1	424086	KNIV HØJRE	BLADE RIGHT
6	1	424087	KNIV HØJRE	BLADE RIGHT
7	1	424084	KNIV VENSTRE	BLADE LEFT
8	1	424085	KNIV VENSTRE	BLADE LEFT
9	1	424993	KÆDESKÆRM	CHAIN HOLDER
10	1	424994	KÆDESKÆRM	CHAIN HOLDER
11	1	424995	FLANGE	FLANGE
12	1	423556	LEJE 6205	BEARING 6205 2 RS C 661B
13	1	424667	KÆDE	CHAIN A6/4 . 9-8558-200
14	1	424996	BØS	CASE
15	1	424997	REMSKIVE KOMPLET	PULLEY COMPLETE
16	1	424998	REMSKIVE KOMPLET	PULLEY COMPLETE
17	1	423569	SKIVE	WASHER
18	1	424079	AKSEL	SHAFT
19	1	424089	FLANGE	FLANGE
20	1	423566	LÅSERING 25	LOCK RING 25
21	1	424999	KONSOL	COVER FLANGE
22	1	423403	BOLT M8X35	SCREW M 8X35
23	1	423570	MØTRIK	NUT M 12
24	1	423577	BOLT M10	SCREW 0-9011-287 M10
25	1	425000	TANDSKIVE M10	WASHER 10 RIPP LOCK
26	1	423563	SKIVE 11	WASHER 11 ZINC
27	1	423307	MØTRIK M8	NUT M 8 DIN 6926 8 ZINC
28	1	424088	HJUL KLIPPESKJOLD	CUTTING WHEEL ETOP 100-8,2
29	1	423538	BOLT M8X90	SCREW M 8X90
30	1	425001	PLADE	FOOT
31	1	423573	MØTRIK M10	NUT M10 RIPP KL 10 BN 2798
32	1	423572	BOLT M10X25	SCREW M10X25KL100 RIPP. V. DACROM
33	1	425002	PLADE	CURTAIN 0-8530-621 RUBBER WITH TE
34	1	425003	REMSTYR	BELT
35	1	423420	BOLT M8X20	SCREW M8X20
36	1	425004	STANG	TENSION ROD 0-8031-225
37	1	423395	MØTRIK M10	NUT M 10
38	1	423322	SKIVE M6X4	WASHER 6.4
39	1	425005	DÆKSEL	BELT COVER 0-8547-805
40	1	425006	DÆKSEL	FLANGE COVER
41	1	425007	REMSKIVE	PULLEY
42	1	425008	AKSEL	CASE
43	1	423341	BOLT M10X80	SCREW M 10X80
44	1	423563	SKIVE 11	WASHER 11 ZINC
45	1	423385	MØTRIK M10	NUT M 10
46	1	425009	HOLDER	HOLDER
47	1	423376	BØS 1920	BUSHING 1920 KU
48	1	423556	LEJE 6205	BEARING 6205 2 RS C 661B

POS	QTY	PARTNUMBER	BESKRIVELSE	DESCRIPTION
49	1	423377	SKIVE M12	WASHER 12
50	1	425010	SKIVE 14	WASHER 14
51	1	423371	SKRUE M12X40	SCREW M12X40
52	1	425011	REMSKIVE	PULLEY
53	1	425012	KUGLELEJE 6203	BEARING 6203 2 RS C 66 IB
54	1	425013	LÅSERING 40	LOCK RING 40
55	1	425014	BØS	BUSHING
56	1	423563	SKIVE 11	WASHER 11 ZINC
57	1	424618	SKIVE 10	WASHER 10
58	1	425015	BOLT M10X50	SCREW M 10X50
59	1	425016	REMSTRAMMERARM	HOLDER TENSIONING PULLEY
60	1	425017	STIFT	PIN
61	1	423564	STRAMMERULLE	PULLEY COMPENSA C-00237/2
62	1	423304	BOLT M8X40	SCREW M 8X40
63	1	423406	MØTRIK M8	NUT M 8
64	1	425018	SKIVE 9	WASHER 9
65	1	423613	KRAVEBØS	CASE
66	1	423614	BOLT M10X45	SCREW M 10X45
67	1	423343	MØTRIK M10 DIN 6926	NUT M 10 DIN 6926 ZINC
68	1	424702	FJEDER 0-9746-496	SPRING 0-9746-493 DIFF,LOCK
69	1	425019	STANG	TENSION ROD 0-8031-226
70	1	423561	BØS	BOCCOLA
71	1	423564	STRAMMERULLE	PULLEY COMPENSA C-00237/2
72	1	423562	BOLT M10X60	SCREW M 10X60
73	1	423385	MØTRIK M10	NUT M 10
74	1	425020	KOBLING	SPEEDCLUTCH
75	1	423586	MØTRIK M12	NUT M 12
76	1	424077	REM AA 126 TWIN	V-BELT AA 126 MULTIFLEX TWIN
77	1	424080	AKSEL	SHAFT
78	1	425021	KLIPPESKJOLD ØVRE	CUTTING DECK 110 0-8547-804
79	1	425022	SPRING 8E7X7X22	SPRING 8E7X7X22
80	1	423576	BOLT VENSTRE	SCREW 0-9011-283 M10 LEFT
81	1	425023	FJEDER 8E7X7X56	SPRING 8E7X7X56
82	1	423578	NOT 6E7X6X28	KEY 6E7X6X28
83	1	425024	LÅG	SPRING COVER 0-8547-806
84	1	424957	BOLT M6X30	SCREW M 6X30
85	1	425025	STOP	STOP
86	1	424593	MØTRIK M12 DIN 6926	NUT M 12 DIN 6926
87	1	423359	MØTRIK M12	NUT M 12
88	1	425026	RAMME 4X4 HØJRE	SAFETY FRAME RIGHT (4X4)
89	1	423420	BOLT M8X20	SCREW M8X20
90	1	423416	SKIVE M8.4	WASHER 8.4
91	1	425027	RAMME 4X4 VENSTRE	SAFETY FRAME LEFT (4X4)
92	1	425028	PROP	COVER FERULE 18MM 465377 MOSS
93	1	423478	SÆDE	SEATING D7-201-802-010

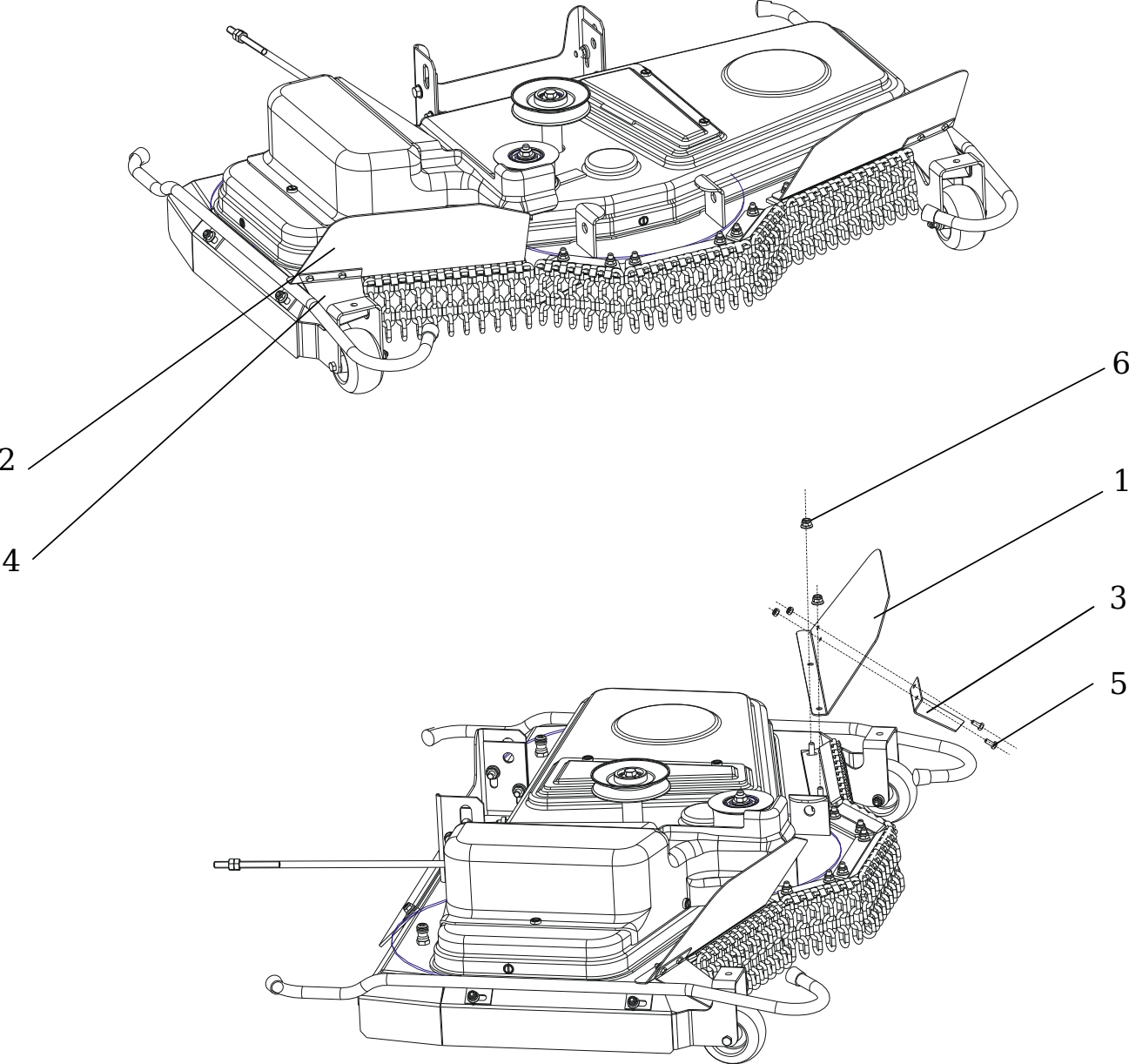
POS	QTY	PARTNUMBER	BESKRIVELSE	DESCRIPTION
94	1	423479	STUDS	STUD D7-201-711-010
95	1	424081	AKSEL	SHAFT
96	1	423345	MØTRIK M6	NUT M 6
97	1	424560	SKRUE M8X30	SCREW M 8X30
98	1	424076	REM	V-BELT 5L 690 ROFLEX GARDEN



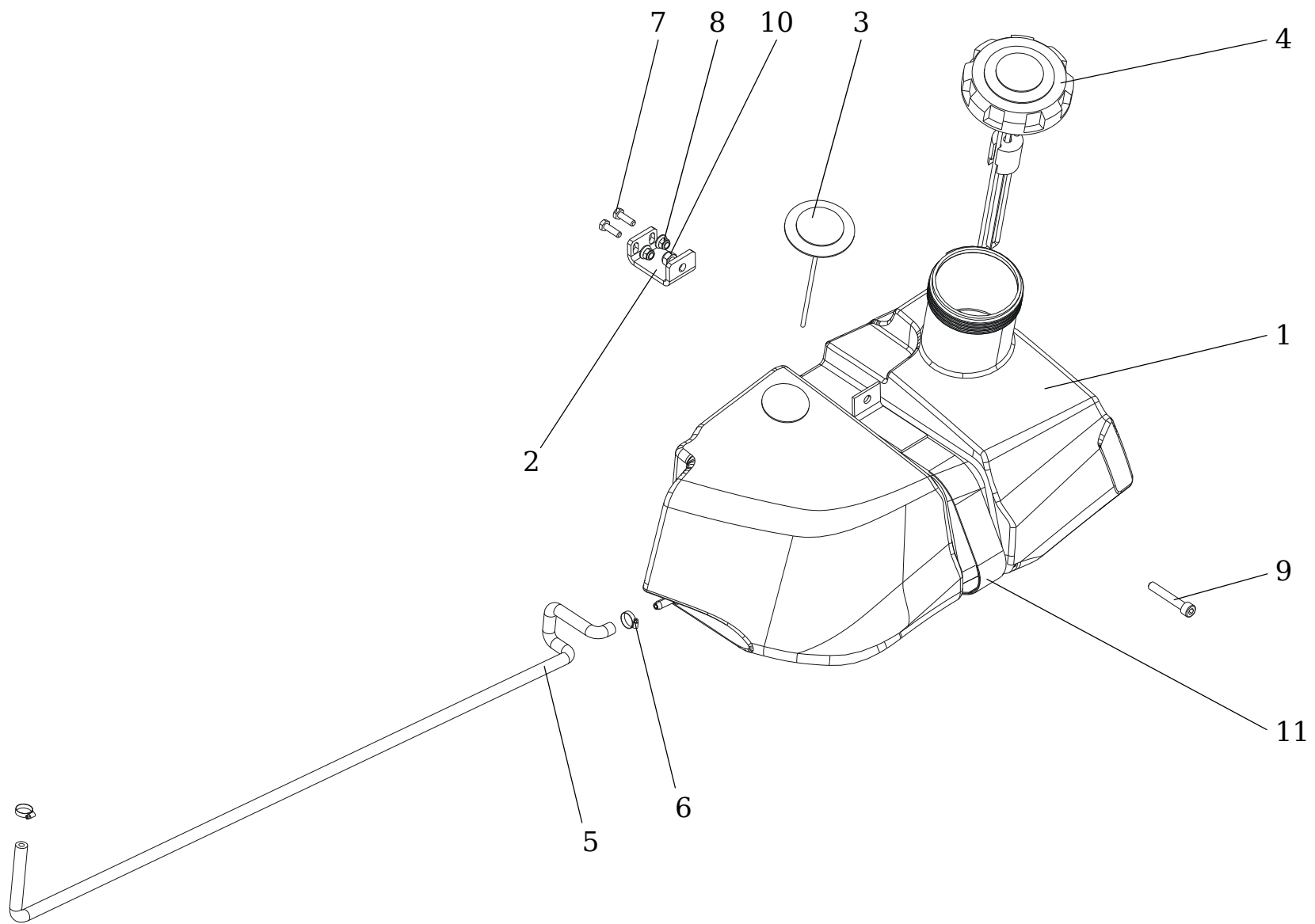
POS	QTY	PARTNUMBER	BESKRIVELSE	DESCRIPTION
1	1	425384	MOTORHJELM 4X4	HOOD 9-1849-367 VOLVO
2	1	425385	KOFANGER 4X4	BUMPER 4X4
3	1	423312	SKRUE M8X25	SCREW M 8X25 KL 100 RIPP V ZINC
4	1	423597	STANG	SAFETY BAR
5	1	423307	MØTRIK M8	NUT M 8 DIN 6926 8 ZINC
6	1	425030	BESLAG	HOOD HOLDER
7	1	423404	SKRUE M8X25	SCREW M 8X25
8	1	423593	FJEDER 0-97446-472	SPRING 0-9746-472
9	1	425034	PROP 40MM	DISHED PLUG 40MM
10	1	423590	HALOGEN PÆRE MR 16PR.50MM1	HALOGEN LIGHTBULB MR 16 PR.50MM 1
11	1	425386	SAMLESTYKKE	HEADER 9-8316-619
12	1	425387	PÆRE	BULB HARNESS 9-8316-605
13	1	425388	HALOGEN PÆRE MR 11 PR 38MM 1	HALOGEN LIGHTBULB MR 11 PR,38MM 1



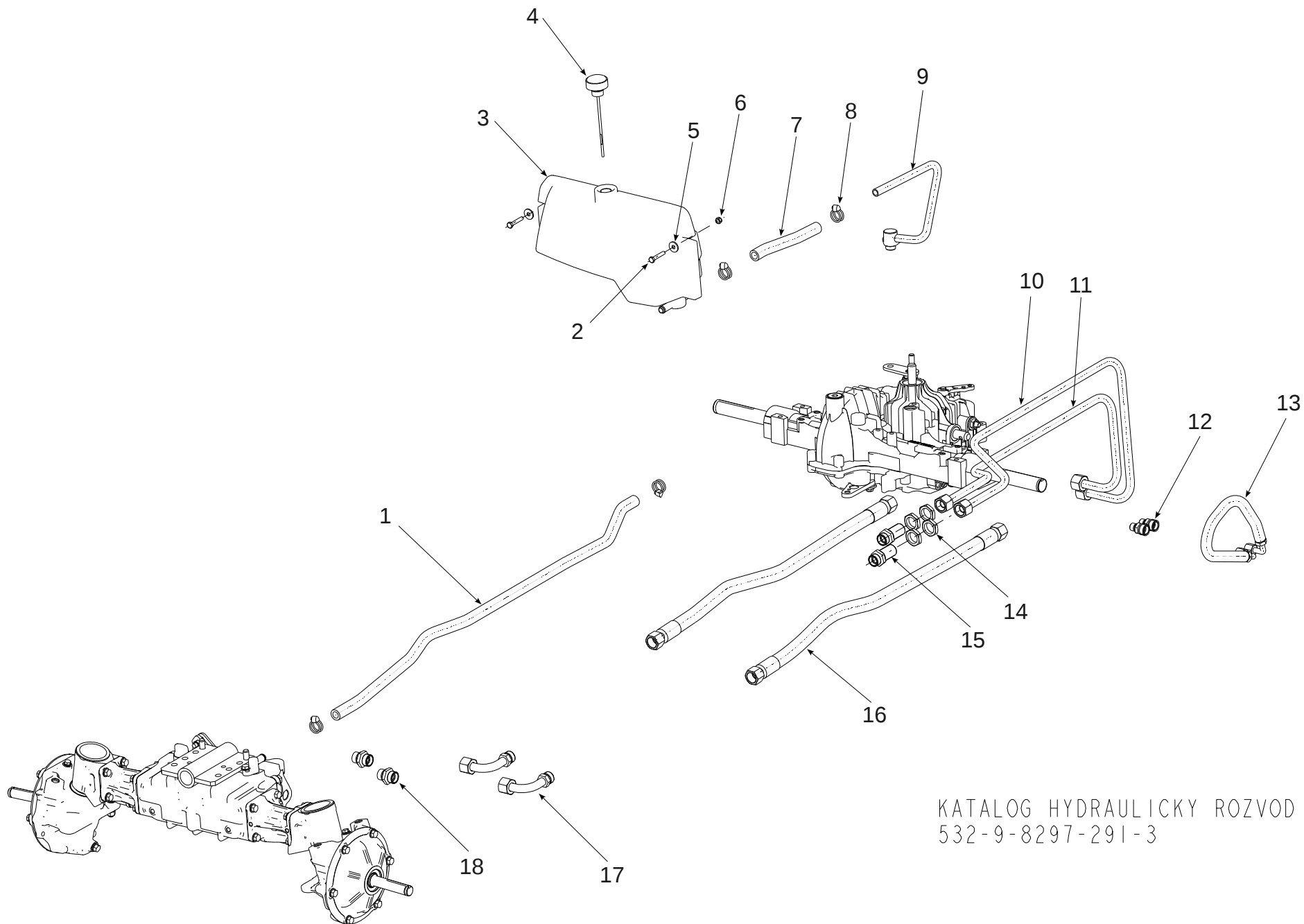
POS	QTY	PARTNUMBER	BESKRIVELSE	DESCRIPTION
1	1	423600	BESLAG	BACKSTOP
2	1	423368	BOLT M6X20	SCREW M 6X20
3	1	423370	MØTRIK M6 DIN 6926	NUT M 6 DIN 6926
4	1	424090	KOBLING EL	ELMAG .CLUTCH MSS-80HC
5	1	424533	SKRUE 7/16X2 3/4	SCREW 7/16 X 2 3/4 UNF ZINC
6	1	423603	SKIVE 11	WASHER NL 11 GLUED DACROMET
7	1	423604	STRAMMERULLE	PULLEY COMPENSA C- 00237/1
8	1	423343	MØTRIK M10 DIN 6926	NUT M 10 DIN 6926 ZINC
9	1	425037	BØS	BUSHING
10	1	423605	DÆKSEL	COVER C-00693 COMPENSA
11	1	423405	SKIVE 10,5	WASHER 10.5
12	1	425038	HOLDER KOMPLET	HOLDER COMPLETE
13	1	425039	BOLT M10X40	SCREW M 10X40 ZINC,
14	1	423583	BOLT M6X80	SCREW M 6X80 WITH EYE BN1006 ZINC
15	1	423345	MØTRIK M6	NUT M 6
16	1	423610	FJEDER 2X14X62	SPRING TZ 2X14X62 ZINC
17	1	423611	STRAMMERULLE	PULLEY PLASTIC BBT B18 337
18	1	423614	BOLT M10X45	SCREW M 10X45
19	1	423613	KRAVEBØS	CASE
20	1	425389	AFSTANDSRING 4X4	DISTANCE RING



POS	QTY	PARTNUMBER	BESKRIVELSE	DESCRIPTION
1	1	425040	BESLAG VENSTRE	COVER L,
2	1	425041	BESLAG HØJRE	COVERÍ R,
3	1	425042	BESLAG VENSTRE	COVER L,
4	1	425043	BESLAG HØJRE	COVER R,
5	1	425044	BOLT M6X14	SCREW M 6X14
6	1	423345	MØTRIK M6	NUT M 6



POS	QTY	PARTNUMBER	BESKRIVELSE	DESCRIPTION
1	1	425045	BRÆNDSTOFTANK 0-2766-218	FUEL TANK 0-2766-218
2	1	425046	HOLDER	HOLDER
3	1	425047	INDIKATOR	FUEL RESERVE INDICATOR COBO
4	1	425048	TANKDÆKSEL 11"	"CAP TARGET 350 6007 LENGTH 11" " "
5	1	425052	BRÆNDSTOFSLANGE	FUEL TUBING
6	1	423621	KLIPS	CLIP UM 5008
7	1	423368	BOLT M6X20	SCREW M 6X20
8	1	423370	MØTRIK M6 DIN 6926	NUT M 6 DIN 6926
9	1	425053	UNBRAKOBOLT M8X50 DIN 912 8,8 ZN	SCREW M 8X50 DIN 912 8,8 ZN
10	1	425053	UNBRAKOBOLT M8X50 DIN 912 8,8 ZN	SCREW M 8X50 DIN 912 8,8 ZN
11	1	425054	BESLAG	CLIP COMPLETE



KATALOG HYDRAULICKY ROZVOD
532-9-8297-291-3

POS	QTY	PARTNUMBER	BESKRIVELSE	DESCRIPTION
1	1	425390	SLANGE 13X950	HOSE EXP, 13X950
2	1	425391	BOLT M6X35	SCREW M 6X35
3	1	425392	EKSPANSIONSBEHOLDER	EXPANSION TANK 0-2766-213
4	1	425393	DÆKSEL FOR BEHOLDER 1-9310-428	STOP GAP 1-9310-428
5	1	425394	SKIVE 6,6	WASHER 6,6
6	1	423345	MØTRIK M6	NUT M 6
7	1	425395	SLANGE 13X220	HOSE EXP, 13X220
8	1	425294	LEDNING W19-22MM	WIRE SCREW-IN CLIP W19-22MM
9	1	425396	MUNDSTYKKE 9-8246-209	THROAT COMPLETE 9-8246-209
10	1	425397	RØR KOMPLET NEDRE	LOWER PIPE COMPLETE
11	1	425398	RØR KOMPLET ØVRE	TOP PIPE COMPLETE 9-7446-212
12	1	425292	BOLT	THROAT 9/16-18 UNF/M18X1,5DIN2353
13	1	425245	SLANGE DN10-580	HYDRAULIC HOSE DN10-580
14	1	425290	MØTRIK KML-15	NUT KML-15
15	1	425240	KOBLING SVL-15	CLUTCH SVL-15 DIRECT PANEL
16	1	425399	SLANGE TIL HYDRAULIK DN12-620	HYDRAULIC HOSE DN12-620
17	1	425400	FORLÆNGER RØR 15	ANGULAR EXTENDER 15
18	1	425243	RØRNIPPEL	THROAT XAL 15-3/4 UNF WD