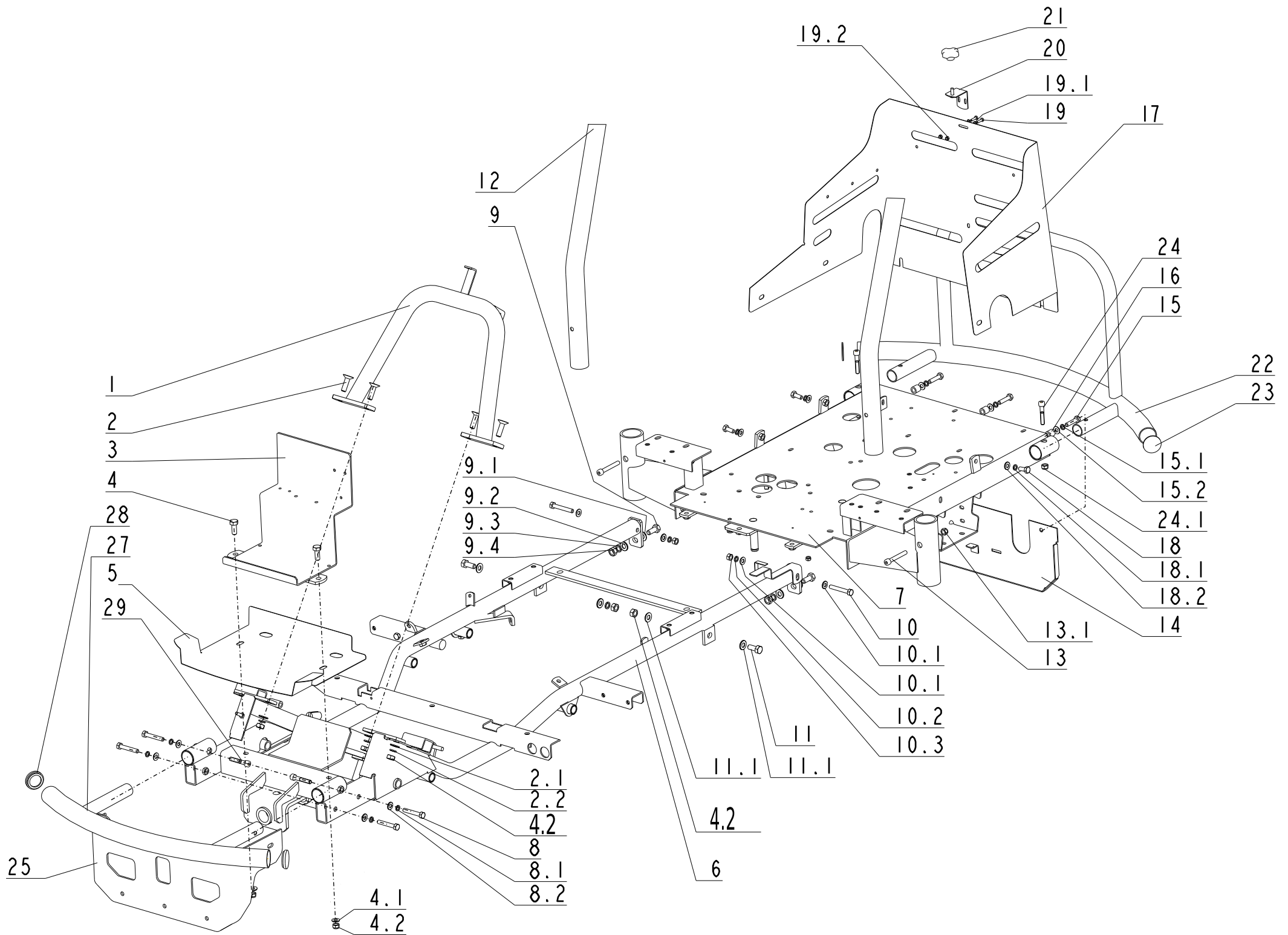


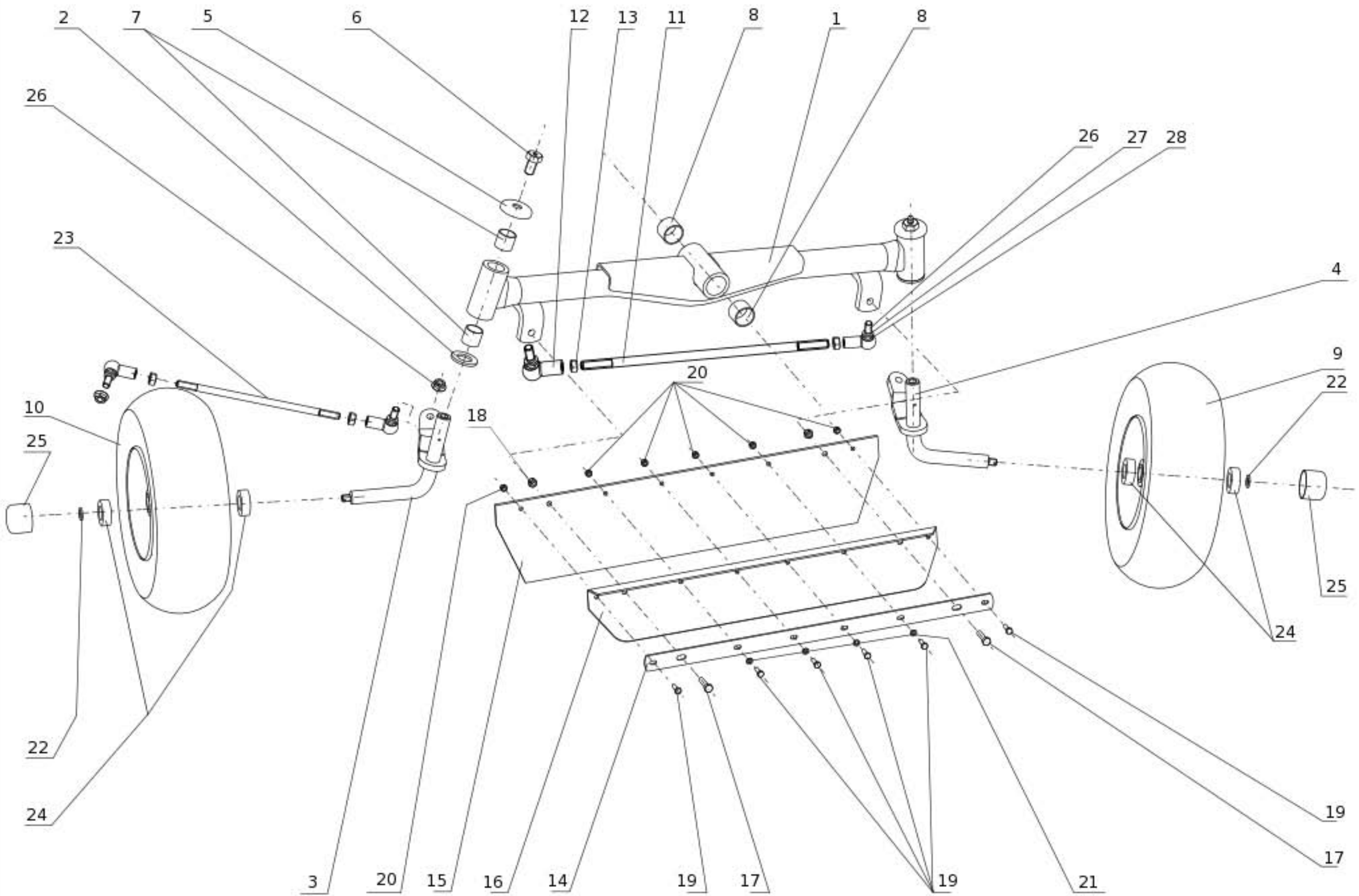
POS	QTY	PARTNUMBER	BESKRIVELSE	DESCRIPTION
2	1	424525	OLIEAFTAPNING	REDUCTION
3	1	423403	BOLT M8X35	SCREW M 8X35
3-1	1	424526	SKIVE M8	NUT M8
3-2	1	424527	MØTRIK M8	NUT M 8
4	1	424528	BESLAG	WARNER CLUTCH STOPPER
4-1	1	423306	SKIVE M8	WASHER 8
4-2	1	423474	BOLT M8X16	SCREW M 8X16
5	1	424529	NOT	SPRING
7	1	424530	STRAMMERULLE	"ENGINE PULLEY 9-3325-290 "A"118 "
8	1	424531	KOBLING ELEKTRISK	ELMAG, CLUTCH 5217-58
9	1	424532	SKIVE	WASHER 0-9221-227
10	1	424533	SKRUE 7/16X2 3/4	SCREW 7/16 X 2 3/4 UNF ZINC
10-1	1	424534	FJEDERSKIVE	SPRING WASHER 7/16 ZINC
11	1	423474	BOLT M8X16	SCREW M 8X16
11-1	1	423306	SKIVE M8	WASHER 8
11-2	1	423416	SKIVE M8.4	WASHER 8.4
12	1	424535	UDSTØDNINGSSKÆRM	EXHAUST BEND COVER
13	1	424536	BOLT M6X18	SCREW M 6X18
13-1	1	423322	SKIVE M6X4	WASHER 6.4
13-2	1	423323	SKIVE M6	WASHER 6
13-3	1	424537	MØTRIK M6	NUT M6
14	1	424538	UDSTØDNING	EXHAUST
15	1	424095	CHOKER	CHOKE 9-8074-286
16	1	424539	UDSTØDNINGSSKÆRM	EXHAUST COVER
17	1	424540	BOLT M6X20	SCREW M6X20
17-1	1	423322	SKIVE M6X4	WASHER 6.4
17-2	1	423345	MØTRIK M6	NUT M 6
18	1	424541	UDSTØDNINGSSKÆRM	EXHAUST COVER
19	1	424542	BOLT M6X16	SCREW M 6X16
19-1	1	423322	SKIVE M6X4	WASHER 6.4
19-2	1	423345	MØTRIK M6	NUT M 6
20	1	424543	GASREGULERING	THROTTLE LEVER 9-8071-229
21	1	423315	SKRUE M4C14	SCREW M 4X14 021131.25
21-1	1	423539	SKIVE 5.3	WASHER 5.3
21-2	1	423316	MØTRIK M4	NUT M4
22	1	423314	GASGREB	THROTTLE LEVER 0-8060-239
23	1	424544	SKRUE M5X14	SCREW M 5X14
23-1	1	423539	SKIVE 5.3	WASHER 5.3
23-2	1	423320	MØTRIK M5	NUT M5
24	1	425285	BRÆNDSTOFTANK	FUEL TANK
25	1	425286	TANKDÆKSEL MED MÅLER	
26	1	425287	BOLT M8X55	
26-1	1	425288	SKIVE 8.4	
26-2	1	90100662	STÅLMØTRIK 8.8 M8 FZ	STEEL NUT M8 FZ
27	1	425289	BESLAG	
29	1	424545	SKIVE	WASHER UNDER TANK
30	1	424546	SKIVE	WASHER UNDER TANK
31	1	424547	TANK HOLDER	TANK HOLDER
32	1	424542	BOLT M6X16	SCREW M 6X16

POS	QTY	PARTNUMBER	BESKRIVELSE	DESCRIPTION
32-1	1	423322	SKIVE M6X4	WASHER 6.4
32-2	1	423323	SKIVE M6	WASHER 6
32-3	1	424537	MØTRIK M6	NUT M6
33	1	424536	BOLT M6X18	SCREW M 6X18
34	1	423621	KLIPS	CLIP UM 5008
35	1	424548	BRÆNDSTOFSLANGE	HOSE WITH CAP
37	1	424550	VARMESKJOLD	HEAT PROTECTIVE SHIELD
38	1	423513	BOLT ST4,2X13	SCREW ST 4,2X13 DIN7504-K BN1880
41	1	423321	SKRUE M6X16	SCREW M6X16
42	1	423323	SKIVE M6	WASHER 6
43	1	423322	SKIVE M6X4	WASHER 6.4
44	1	424551	BESLAG	HEAT PROTECTIVE SHIELD HOLDER



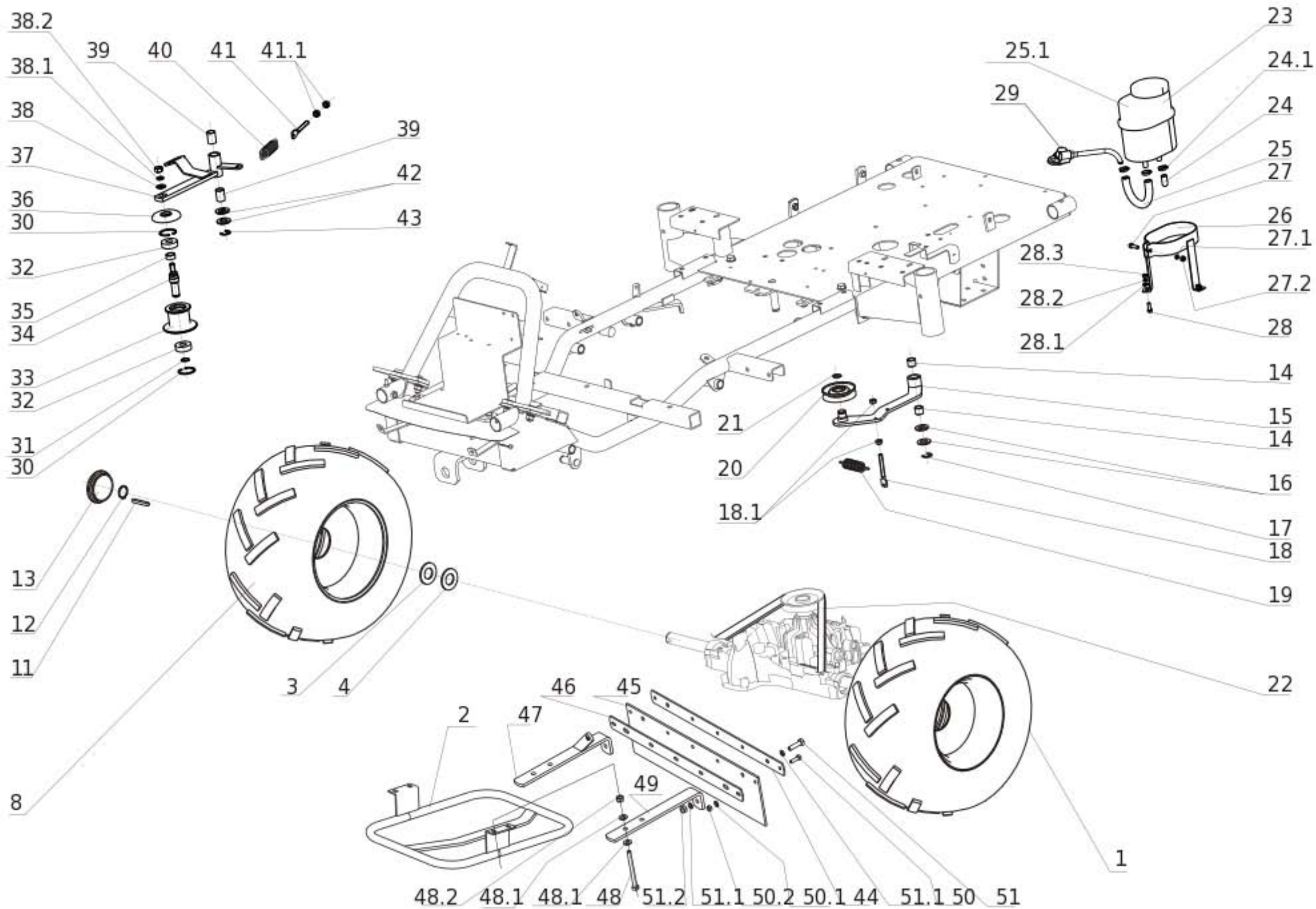
POS	QTY	PARTNUMBER	BESKRIVELSE	DESCRIPTION
1	1	424552	BESLAG STYRTØJ	STEERING WHEEL BRACKET
1-2	1	423306	SKIVE M8	WASHER 8
2	1	424553	BOLT M10X35	SCREW M 10X35
2-1	1	423405	SKIVE 10,5	WASHER 10.5
3	1	424554	BATTERI HOLDER KOMPLET	BATTERY HOLDER COMPLETE
4	1	424555	SKRUE M10X25	SCREW M 10X25
4-1	1	423405	SKIVE 10,5	WASHER 10.5
4-2	1	423343	MØTRIK M10 DIN 6926	NUT M 10 DIN 6926 ZINC
5	1	424556	SKÆRM	COVER
6	1	424557	CHASSIS	CHASSIS DEVIDED
7	1	424558	CHASSIS MOTOR	ENGINE CHAMBER COMPL.
8	1	424559	SKRUE M8X55	SCREW M 8X55
8-1	1	423306	SKIVE M8	WASHER 8
8-2	1	423416	SKIVE M8.4	WASHER 8.4
9	1	424560	SKRUE M8X30	SCREW M 8X30
9-1	1	423405	SKIVE 10,5	WASHER 10.5
10	1	423548	BOLT M5X35	SCREW M5X35
10-1	1	423416	SKIVE M8.4	WASHER 8.4
10-2	1	290500	FJEDERSKIVE M8	SPRING COLLAR M8
10-3	1	424527	MØTRIK M8	NUT M 8
11	1	424561	SKRUE M10X25	SCREW M 10X25
11-1	1	423405	SKIVE 10,5	WASHER 10.5
12	1	424562	STANG	FRAME TUBE LOWER
13	1	424563	SKRUE M8X55	SCREW M 8X55 8.8 A2L ISO 4762
13-1	1	423406	MØTRIK M8	NUT M 8
14	1	424564	BAGPLADE	COVER REAR COMPLETE
15	1	424565	SKRUE M8X35	SCREW M 8X35
15-1	1	423306	SKIVE M8	WASHER 8
15-2	1	423416	SKIVE M8.4	WASHER 8.4
16	1	424566	BØS	SPACER RING
17	1	424567	CHASSIS	COVER REAR
18	1	423420	BOLT M8X20	SCREW M8X20
18-1	1	423306	SKIVE M8	WASHER 8
18-2	1	423416	SKIVE M8.4	WASHER 8.4
19	1	424568	SKRUE M4X12	SCREW M 4X12
19-1	1	424569	SKIVE M4,3	WASHER 4.3
19-2	1	423316	MØTRIK M4	NUT M4
20	1	424570	BESLAG	HOLDER COMPLETE
21	1	424571	VINGEMØTRIK M6X16	CONTROL STAR STG2A 40 M6X15
22	1	424572	KOFANGER BAG	BUMPER REAR
23	1	424573	PROP	BLIND FLANGE 40/1-3 GL BLACK
24	1	424574	SKRUE M8X45	SCREW M 8X45 8.8 A2L ISO 4762
24-1	1	424575	MØTRIK M8	NUT M 8
27	1	424576	KOFANGER FOR	BUMPER FRONT SC
28	1	424573	PROP	BLIND FLANGE 40/1-3 GL BLACK

POS	QTY	PARTNUMBER	BESKRIVELSE	DESCRIPTION
29	1	424574	SKRUE M8X45	SCREW M 8X45 8.8 A2L ISO 4762
30	1	424577	SKIVE	COVER WASHER



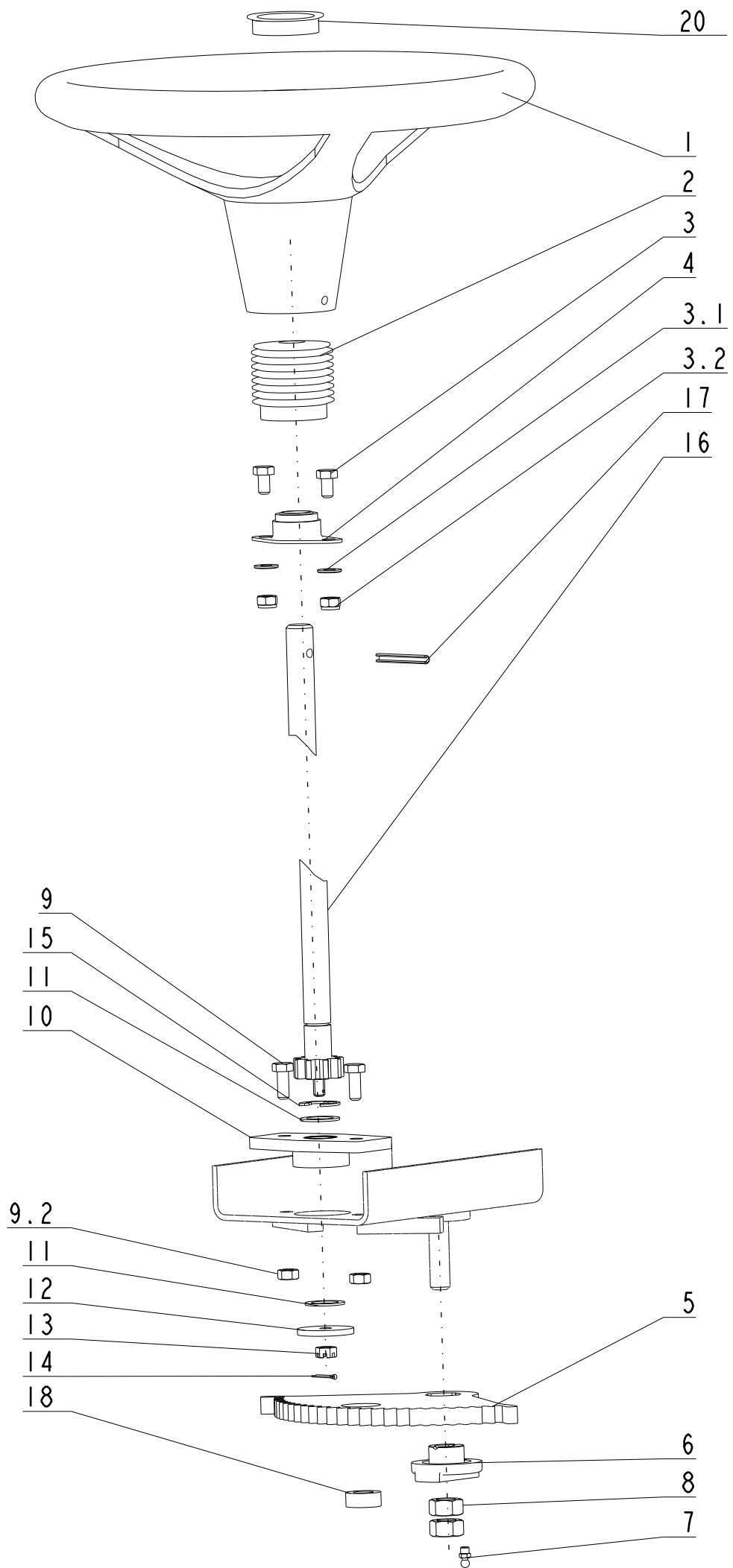
POS	QTY	PARTNUMBER	BESKRIVELSE	DESCRIPTION
1	1	424578	FORAKSEL KOMPLET	AXLE COMPLETE
2	1	424579	SKIVE	WASHER
3	1	424580	HJULAKSEL HØJRE	RIGHT PIN COMPLETE
4	1	424581	HJULAKSEL VENSTRE	LEFT PIN COMPLETE
5	1	424582	SKIVE	COVER
6	1	424583	SKRUE	SCREW
7	1	423376	BØS 1920	BUSHING 1920 KU
8	1	424584	KUGLELEJE	BEARING BUSHING WSM-2528-25W300
9	1	424097	FORHJUL VENSTRE 16X6.5-SL	WHEEL FRONT, LEFT 16X6.5-8 SL
10	1	424098	FORHJUL HØJRE 16X6.5-8 SL	WHEEL FRONT, RIGHT 16X6.5-8 SL
11	1	424585	FORBINDELSESSTANG	CONNECTING ROD 0-9010-568
12	1	423358	STYRLED	JOINT HEAD PHS 12 CN
13	1	423359	MØTRIK M12	NUT M 12
14	1	424586	BESLAG	RIBBON
15	1	424587	GUMMIAFDÆKNING	GUM COVER 0-8530-601 T5 SBR
16	1	424588	PLADE	BOARD
17	1	423403	BOLT M8X35	SCREW M 8X35
18	1	423307	MØTRIK M8	NUT M 8 DIN 6926 8 ZINC
19	1	424589	SKRUE M6X25	SCREW M 6X25
20	1	423370	MØTRIK M6 DIN 6926	NUT M 6 DIN 6926
21	1	424590	SKIVE	WASHER
22	1	423353	LÅSERING 15	LOCK RING 15
23	1	424591	FORBINDELSESSTANG	CONNECTION ROD COMPLETE
24	1	423356	LEJE	FRONT WHEEL BEARING 3/4 COMPENSA
25	1	423338	HJULKAPSEL	COVER 0-8025-237
26	1	424592	BOLT M12X45	SCREW M 12X45
27	1	423377	SKIVE M12	WASHER 12
28	1	424593	MØTRIK M12 DIN 6926	NUT M 12 DIN 6926



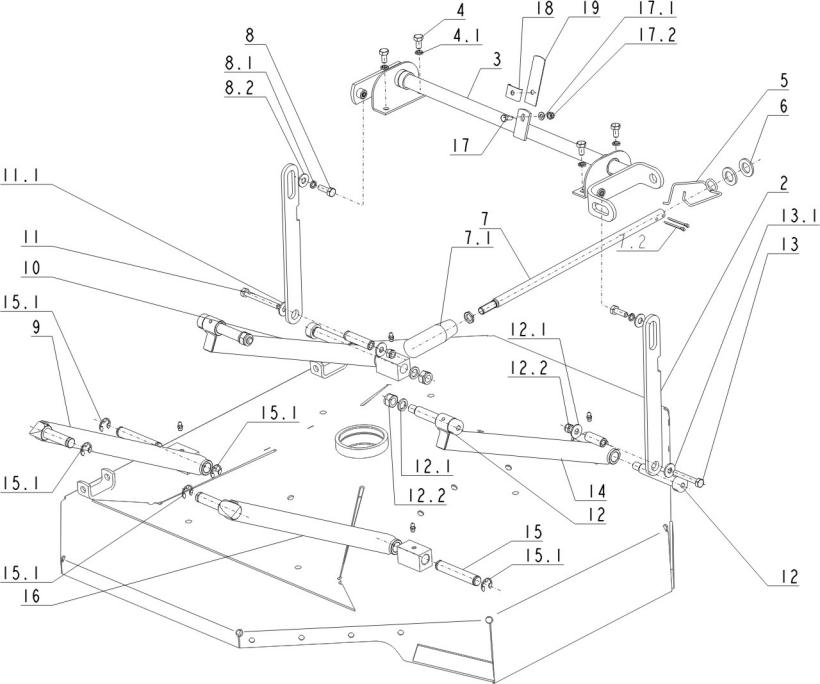


POS	QTY	PARTNUMBER	BESKRIVELSE	DESCRIPTION
1	1	424101	BAGHJUL HØJRE 20X10 8 SL	WHEEL REAR, RIGHT 20X10 8SL MEFRO
2	1	424594	SIKKERHEDSRAMME	SAFETY FRAME
3	1	424595	SKIVE	WASHER
4	1	424596	SKIVE	WASHER
8	1	424102	BAGHJUL VENSTRE 20X10 8SL	WHEEL REAR, LEFT 20X10 8SL MEFRO
11	1	424597	NOT	SPRING
12	1	424598	SEEGERRING SE-98	LOCK RING SE-98 1
13	1	424599	NAVKAPSEL SORT	BLACK COVER GPN 690/3004
14	1	424600	BØS	BUSHING 1615 KU TEFLON
15	1	424601	REMSTRAMMEARM	PULLEY HOLDER
16	1	424602	SKIVE 16X22X1	WASHER 16X22X1 DIN 988 L 07
17	1	424603	SEEGERRING 12	LOCK RING 12
18	1	424604	SKRUE	SCREW 0-9016-454
18-1	1	424575	MØTRIK M8	NUT M 8
19	1	424605	FJEDER	SPRING 0-9746-487
20	1	424606	REMHJUL	PULLEY F3000-0750 METAL
21	1	424607	LÅSERING	LOCK RING I7
22	1	424103	REM 13X830	V-BELT 13X830 LP OPTIBELT (4X4)
25	1	424608	BESLAG	SPRING HOLDER
25-1	1	423416	SKIVE M8.4	WASHER 8.4
25-2	1	423406	MØTRIK M8	NUT M 8
27	1	423474	BOLT M8X16	SCREW M 8X16
27-1	1	423416	SKIVE M8.4	WASHER 8.4
27-2	1	423406	MØTRIK M8	NUT M 8
28	1	424609	SKÆRM	DEFLECTOR
30	1	424610	LÅSERING 35	LOCK RING 35
31	1	424611	LÅSERING I5	LOCK RING I5
32	1	424612	LEJE 6202	BEARING 6202 VV C3 (NSK)
33	1	424613	STRAMMERULLE	PULLEY
34	1	424614	AKSEL	SHAFT
35	1	424615	BØS	SPACER RING
36	1	424616	DÆKSEL	CAP 0-3947-216
37	1	424617	REMSTRAMMERARM	PULLEY HOLDER
38	1	423405	SKIVE 10,5	WASHER 10.5
38-1	1	424618	SKIVE 10	WASHER 10
38-2	1	423395	MØTRIK M10	NUT M 10
39	1	424619	BØS	BUSHING 1625 KU
40	1	424620	FJEDER	SPRING 0-9746-484
41	1	424604	SKRUE	SCREW 0-9016-454
41-1	1	424575	MØTRIK M8	NUT M 8
42	1	424602	SKIVE 16X22X1	WASHER 16X22X1 DIN 988 L 07
43	1	424603	SEEGERRING 12	LOCK RING 12
44	1	424621	BESLAG	RIBBON
45	1	424622	PLADE	SHIELD 0-8530-606 T4 WITH TEXTILE
46	1	424623	BESLAG	RIBBON
47	1	424624	SKIVE	WASHER COMPLETE

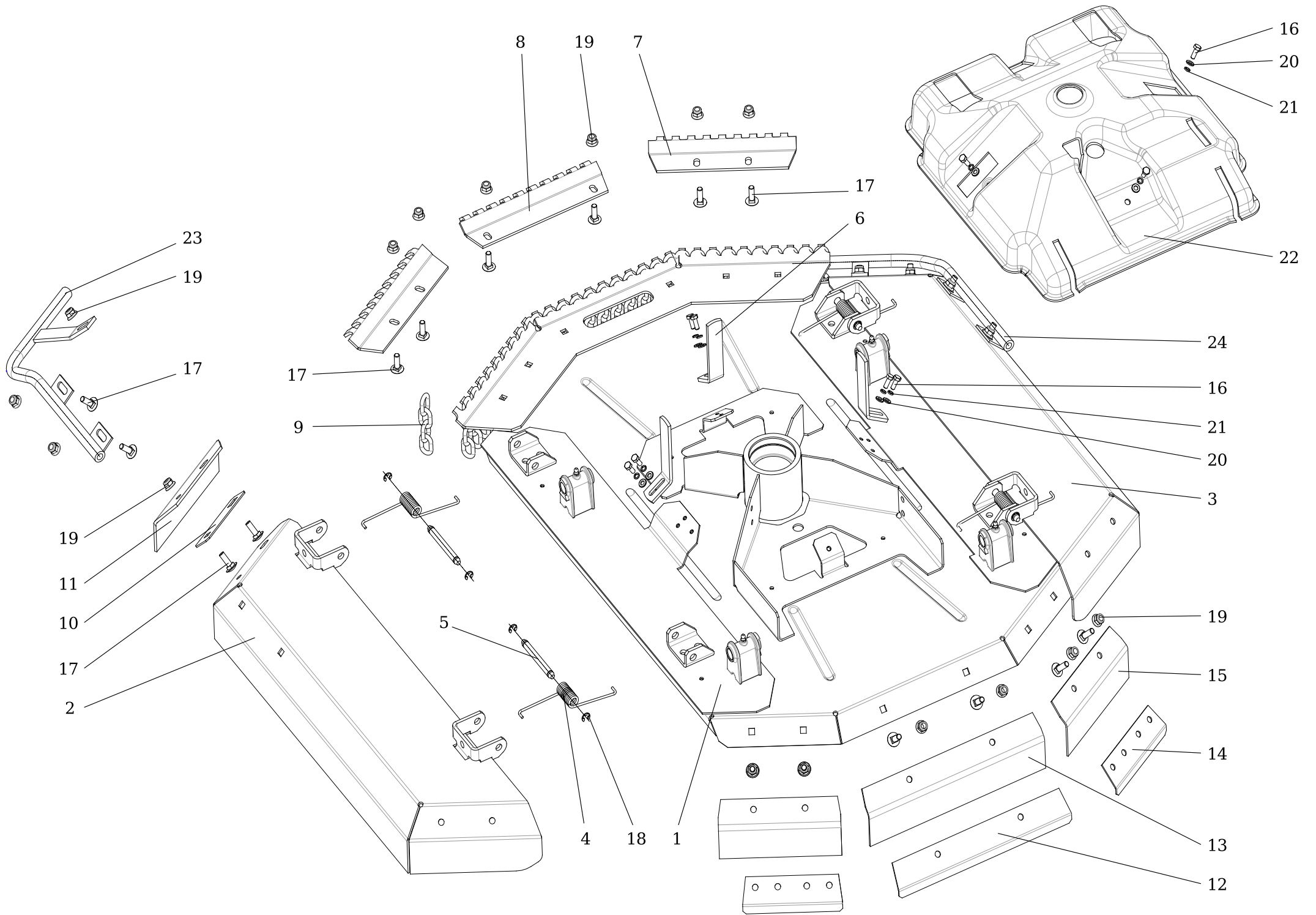
POS	QTY	PARTNUMBER	BESKRIVELSE	DESCRIPTION
48	1	424625	SKRUE M8X80	SCREW M8X80
48-1	1	423416	SKIVE M8.4	WASHER 8.4
48-2	1	423406	MØTRIK M8	NUT M 8
49	1	424626	SKIVE	WASHER
50	1	424540	BOLT M6X20	SCREW M6X20
50-1	1	423322	SKIVE M6X4	WASHER 6.4
50-2	1	423345	MØTRIK M6	NUT M 6
51	1	424627	SKRUE M8X25	SCREW M 8X25
51-1	1	423306	SKIVE M8	WASHER 8
51-2	1	423406	MØTRIK M8	NUT M 8



POS	QTY	PARTNUMBER	BESKRIVELSE	DESCRIPTION
1	1	424628	RAT PP031	STEERING WHEEL COBO PP031
2	1	424629	BÆLG	ØSØP ØØÅSUÖÖE
3	1	424630	BOLT M8X14	SCREW M 8 X 14
3-1	1	423416	SKIVE M8.4	WASHER 8.4
3-2	1	423406	MØTRIK M8	NUT M 8
4	1	424631	FLANGELEJE	SPHERICAL BEARING FLW 12
5	1	424632	STYREPLADE	TOOTHED SEGMENT 27Z
6	1	424633	FLANGE	ECCENTRIC
7	1	423348	SMØRENIPPEL MK6X1	LUBRICATING HEAD MK 6X1
8	1	424634	MØTRIK M14	NUT M14
9	1	423404	SKRUE M8X25	SCREW M 8X25
9-2	1	423307	MØTRIK M8	NUT M 8 DIN 6926 8 ZINC
10	1	424635	STYRHOLDER KOMPLET	BEARING COMPLETE
11	1	424590	SKIVE	WASHER
12	1	424636	SKIVE	WASHER
13	1	424637	MØTRIK M8	NUT M8
14	1	424638	SPLIT 2X20	SPINDLE 2X20
15	1	423353	LÅSERING 15	LOCK RING 15
16	1	424639	RATSTAMME	PINION COMPLETE
17	1	423363	RØRSPLIT 6X45	SPRING PIN 6X45
18	1	424640	RING	SPACER
20	1	424641	DÆKSEL	COVER COBO 0047

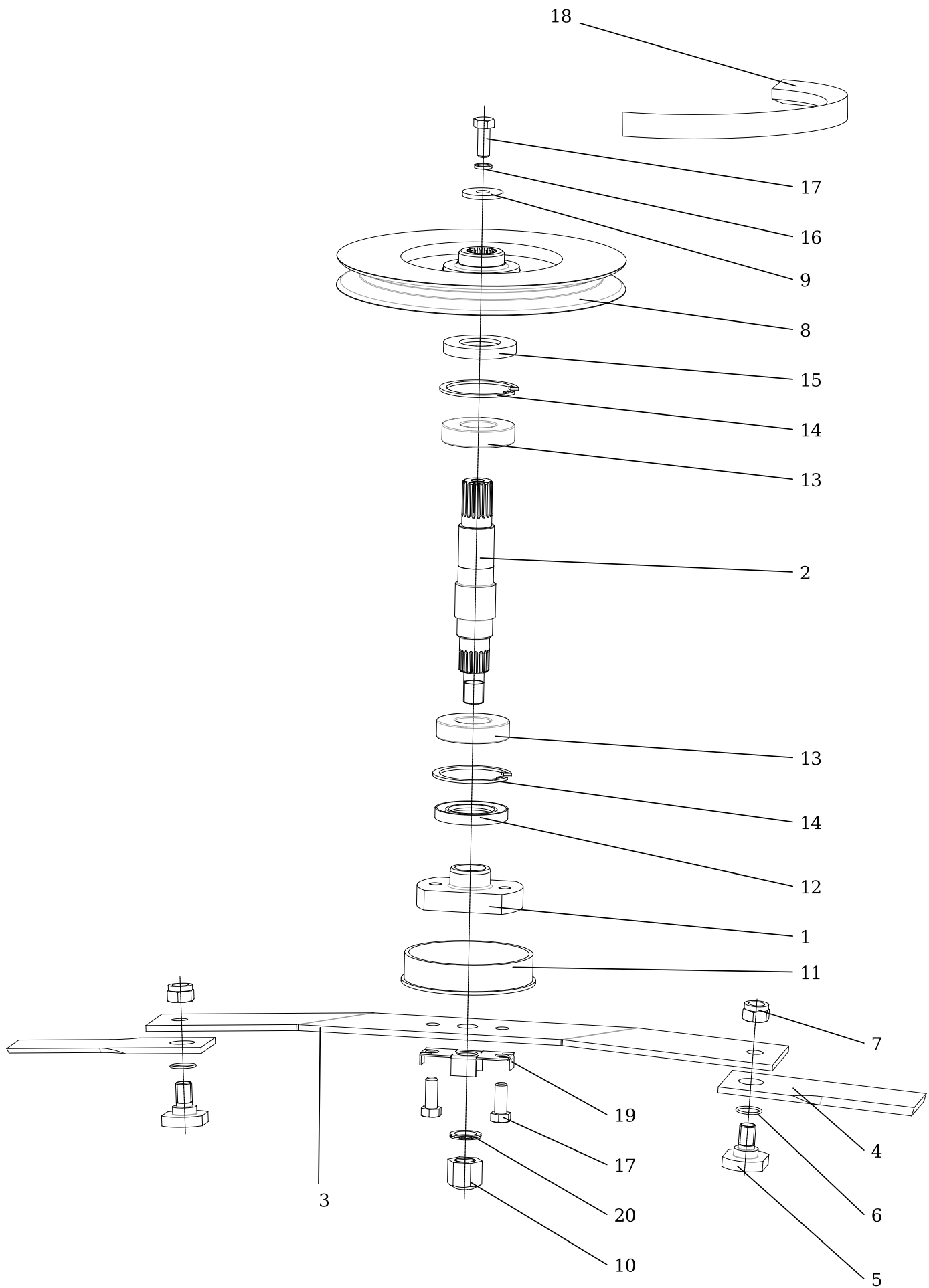


POS	QTY	PARTNUMBER	BESKRIVELSE	DESCRIPTION
2	1	424642	ARM	MOWING ARM
3	1	424643	AKSEL	CUTTING LIFTING
4	1	423474	BOLT M8X16	SCREW M 8X16
4-1	1	423306	SKIVE M8	WASHER 8
5	1	424644	FJEDER	SPRING 0-9746-481
6	1	424645	SKIVE 15	WASHER 15
7	1	424646	STANG	STICK
7-1	1	424647	GREB SORT	HANDLE 1003 PR, 15 BLACK
7-2	1	424648	SPLIT 3,2X36	SPINDLE 3,2X36
8	1	424627	SKRUE M8X25	SCREW M 8X25
8-1	1	423306	SKIVE M8	WASHER 8
8-2	1	423418	SKIVE M8X25	WASHER 9 ZINC
9	1	424649	ARM HØJRE FOR	LIFTING ARM, FRONT, RIGHT
10	1	424650	ARM HØJRE BAG	LIFTING ARM, REAR, RIGHT
11	1	424559	SKRUE M8X55	SCREW M 8X55
11-1	1	423418	SKIVE M8X25	WASHER 9 ZINC
11-2	1	423406	MØTRIK M8	NUT M 8
12	1	424651	AKSEL M12-80	SCREW PR,16/M12-80 BN1359
12-1	1	424652	SKIVE 13	WASHER 13
12-2	1	423570	MØTRIK	NUT M 12
13	1	424653	SKRUE M8X75	SCREW M 8X75
13-1	1	423418	SKIVE M8X25	WASHER 9 ZINC
13-2	1	423406	MØTRIK M8	NUT M 8
14	1	424654	ARM VENSTRE BAG	LIFTING ARM, REAR, LEFT
15	1	424655	PIN	PIN
15-1	1	424603	SEEGERRING 12	LOCK RING 12
16	1	424656	ARM VENSTRE FOR	LIFTING ARM, FRONT, LEFT
17	1	424542	BOLT M6X16	SCREW M 6X16
17-1	1	423322	SKIVE M6X4	WASHER 6.4
17-2	1	423345	MØTRIK M6	NUT M 6
18	1	424657	BESLAG	SAFETY WASHER
19	1	424658	PLADE	SPRING ELEMENT

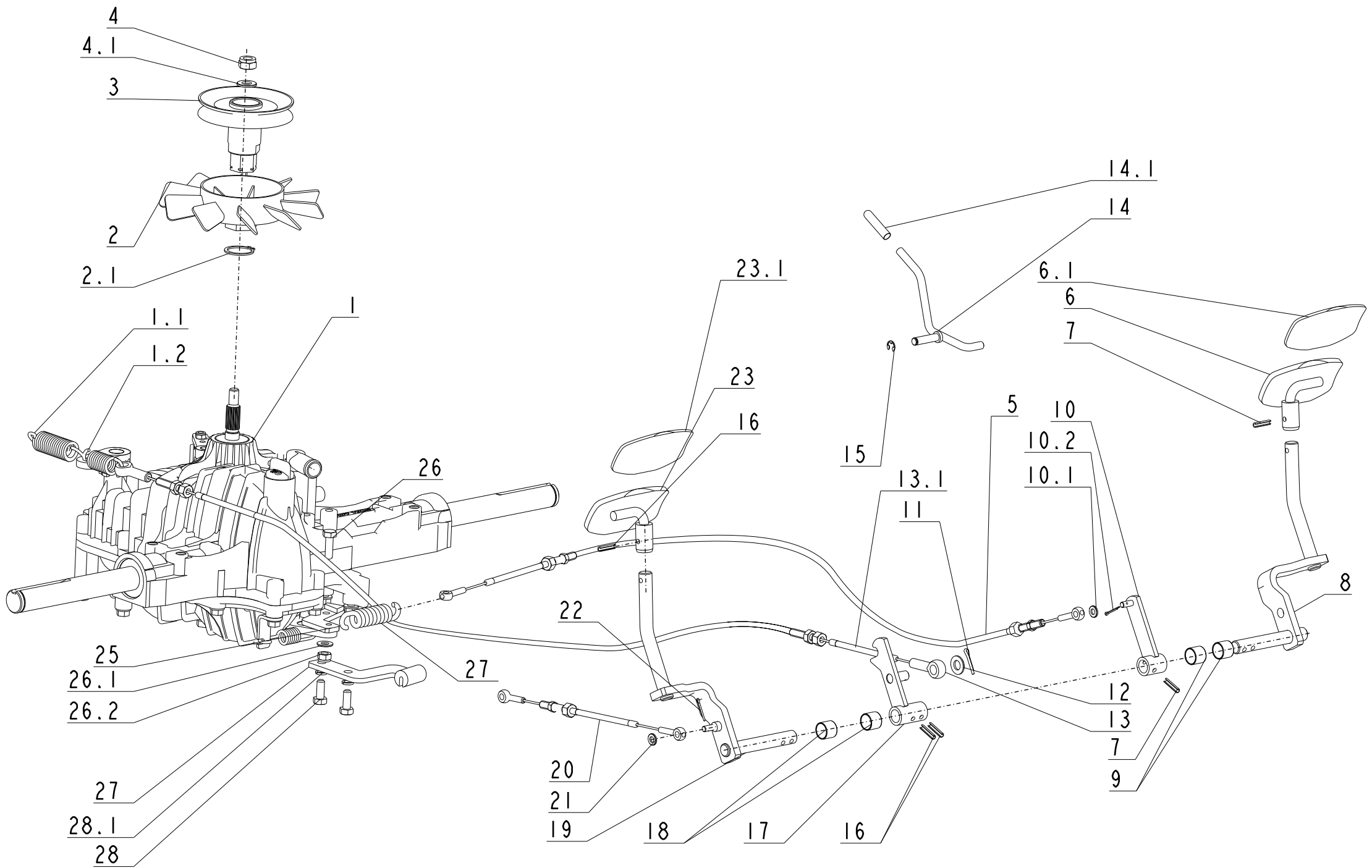




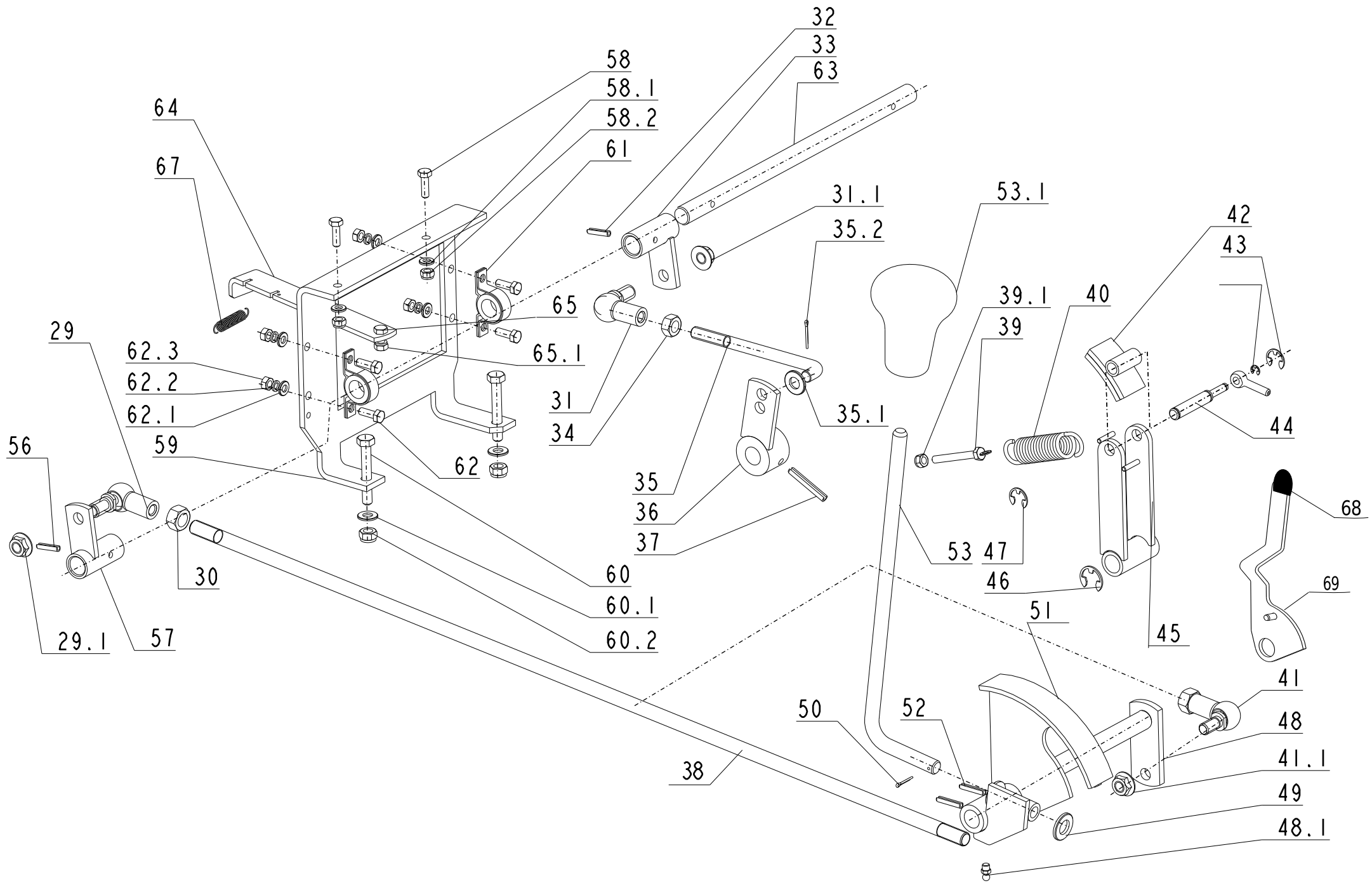
POS	QTY	PARTNUMBER	BESKRIVELSE	DESCRIPTION
1	1	424659	KLIPPERSKJOLD MIDT	COVER 92 SC2
2	1	424660	KLIPPERSKJOLD VENSTRE	COVER LEFT
3	1	424661	KLIPPERSKJOLD HØJRE	COVER RIGHT
4	1	424662	FJEDER	SPRING 0-9746-480
5	1	424663	AKSEL	PIN
6	1	424664	BESLAG	LIMITER
7	1	424665	BESKYTTELSESKÆRM	CHAIN STOPPER
8	1	424666	BESKYTTELSESSKÆRM	CHAIN STOPPER FRONT
9	1	424667	KÆDE	CHAIN A6/4 . 9-8558-200
10	1	424668	PLADE	FRONT WASHER
11	1	424105	PLADE	SHIELD 0-8542-406
12	1	424669	PLADE BAG	REAR WASHER 2
13	1	424106	PLADE	SHIELD 0-8542-408
14	1	424670	PLADE BAG	REAR WASHER 1
15	1	424107	PLADE	SHIELD 0-8542-407
16	1	423321	SKRUE M6X16	SCREW M6X16
17	1	424671	SKRUE M8X25	SCREW M8X25 ZINC
18	1	424672	LÅSERING	LOCK RING 7
19	1	423307	MØTRIK M8	NUT M 8 DIN 6926 8 ZINC
20	1	423322	SKIVE M6X4	WASHER 6.4
21	1	423323	SKIVE M6	WASHER 6
22	1	424673	PLASTIK COVER	PLASTIC COVER 0-8540-646
23	1	424674	BØJLE VENSTRE	SAFETY PIPE LEFT
24	1	424675	BØJLE HØJRE	SAFETY PIPE RIGHT



POS	QTY	PARTNUMBER	BESKRIVELSE	DESCRIPTION
1	1	424676	KNIVHOLDER	FLANGE
2	1	424119	KNIVAKSEL	CUTTING SHAFT
3	1	424113	KNIVHOLDER	CARRIER
4	2	424109	KNIV	BLADE PAIR
5	1	424110	STÅLBOLT	BLADE SCREW
6	1	424111	RING 22X2	RING 22X2
7	1	424112	MØTRIK M16	NUT M 16 DIN 985-8-A3E
8	1	424677	REMSTRAMMER	PULLEY COMPLETE
9	1	424678	SKIVE	WASHER
10	1	424117	MØTRIK	NUT 0-9125-226
11	1	424679	HOLDER	COVER
12	1	424680	PAKDÅSE 40X72X10	SHAFT SEALING 40X72X10 GP
13	1	424118	LEJE 6207 2RS	BEARING 6207 2 RS
14	1	424681	LÅSERING 72	LOCK RING 72
15	1	424682	PAKDÅSE 35X72X10	SHAFT SEALING 35X72X10 GP
16	1	423377	SKIVE M12	WASHER 12
17	1	424115	SKRUE M12X30	SCREW M 12X30
18	1	424108	REM 17X1890	V-BELT 17X1890 LI OPTIBELT
19	1	424114	BESLAG	WASHER
20	1	424116	SKIVE 20	WASHER NL 20 GLUED ZINC



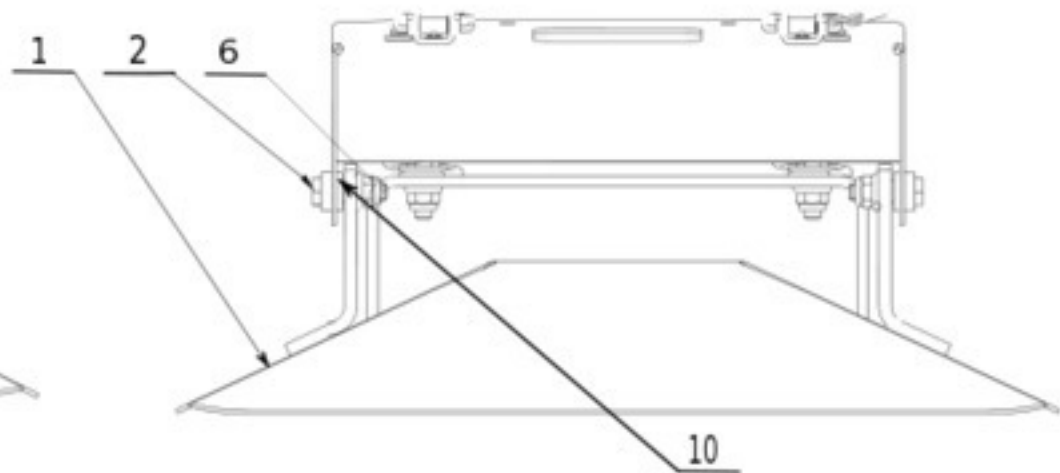
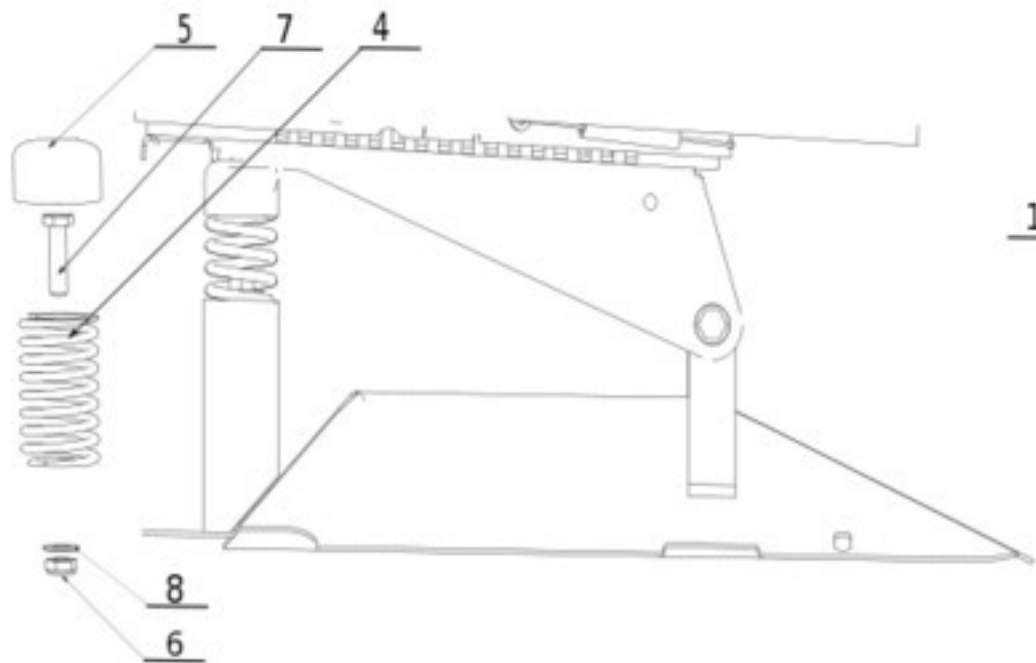
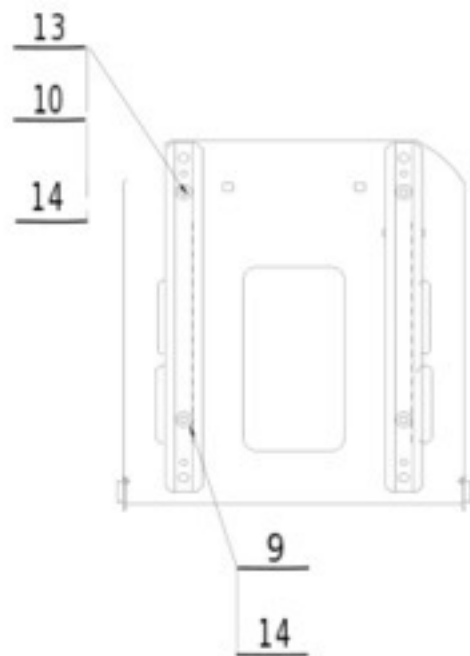
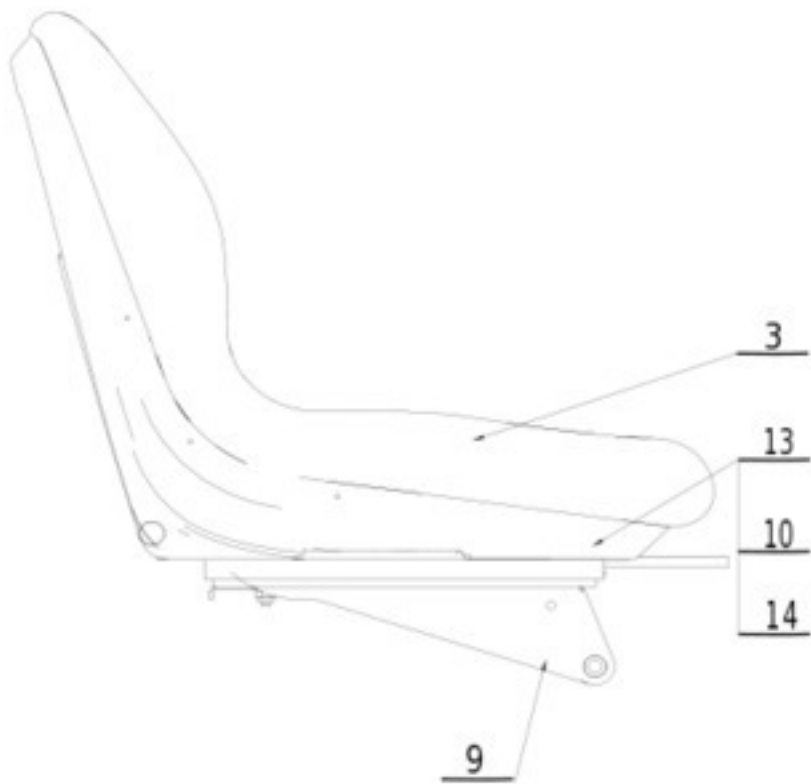
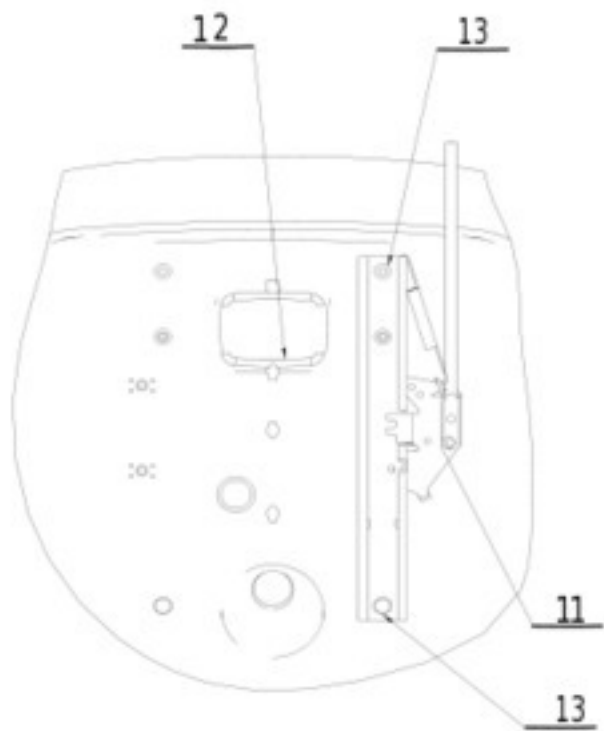
POS	QTY	PARTNUMBER	BESKRIVELSE	DESCRIPTION
1	1	424683	TRANSMISSION K62 Q TUFF TORQ WITH	TRANSMISSION K62 Q TUFF TORQ WITH
1-1	1	424684	FJEDER 1,6X14,4X56X20	SPRING TZ 1,6X14,4X56X20 ZINC
1-2	1	424605	FJEDER	SPRING 0-9746-487
2	1	424685	BLÆSEHJUL	FAN 1A 6460-83050
2-1	1	424686	LÅSERING 28	LOCK RING 28
3	1	424687	REMHJUL	PULLEY COMPLETE
4	1	423385	MØTRIK M10	NUT M 10
4-1	1	423405	SKIVE 10,5	WASHER 10.5
5	1	424121	KABEL GEAR	CONNECTING DIFF.LOCK CABLE 9-8074
6	1	424688	BREMSEPEDAL	BRAKE PEDAL
6-1	1	424689	GUMMI PEDAL	PEDAL COATING 273 151 010 160
7	1	423545	FJEDERSPLIT 5X22	SPRING PIN 5X22
8	1	424690	ARM	DIFF, LOCK PEDAL
9	1	424691	BØS TEFLON	BUSHING 1425 KU TEFLON
10	1	424692	BESLAG	HUB COMPLETE
10-1	1	423322	SKIVE M6X4	WASHER 6.4
10-2	1	424693	SPLIT 2X14	SPINDLE 2X14
11	1	423407	SPLIT 3.2X20	SPINDLE 3.2X20
12	1	423405	SKIVE 10,5	WASHER 10.5
13	1	424694	BREMSEKABEL	CONNECTING BRAKE CABLE 9-8074-304
13-1	1	424695	KABEL	TIE RT 360 /L=200/
14	1	424696	ARM	BRAKE ARRESTMENT
14-1	1	424697	HÅNDTAG 8X40	COVER 8X40 VINYL-FLEX BLACK
15	1	424698	LÅSERING 6	LOCK RING 6
16	1	423545	FJEDERSPLIT 5X22	SPRING PIN 5X22
17	1	424699	ARM	TRAVEL LEVER COMPLETE
18	1	424691	BØS TEFLON	BUSHING 1425 KU TEFLON
19	1	424700	BREMSE ARM	BRAKE PEDAL
20	1	424120	KABEL	CONNECTING BRAKE CABLE 9-8074-307
21	1	423322	SKIVE M6X4	WASHER 6.4
22	1	424693	SPLIT 2X14	SPINDLE 2X14
23	1	424701	BREMSE PEDAL	BRAKE PEDAL
23-1	1	424689	GUMMI PEDAL	PEDAL COATING 273 151 010 160
24	1	424702	FJEDER 0-9746-496	SPRING 0-9746-493 DIFF,LOCK
25	1	424703	ARM	FOOT COMPLETE
26	1	424627	SKRUE M8X25	SCREW M 8X25
26-1	1	423416	SKIVE M8.4	WASHER 8.4
26-2	1	423406	MØTRIK M8	NUT M 8
27	1	424704	HOLDER	HOLDER
28	1	424705	BOLT M8X30	SCREW M8X30 DIN 7500D BN 3326
28-1	1	423306	SKIVE M8	WASHER 8



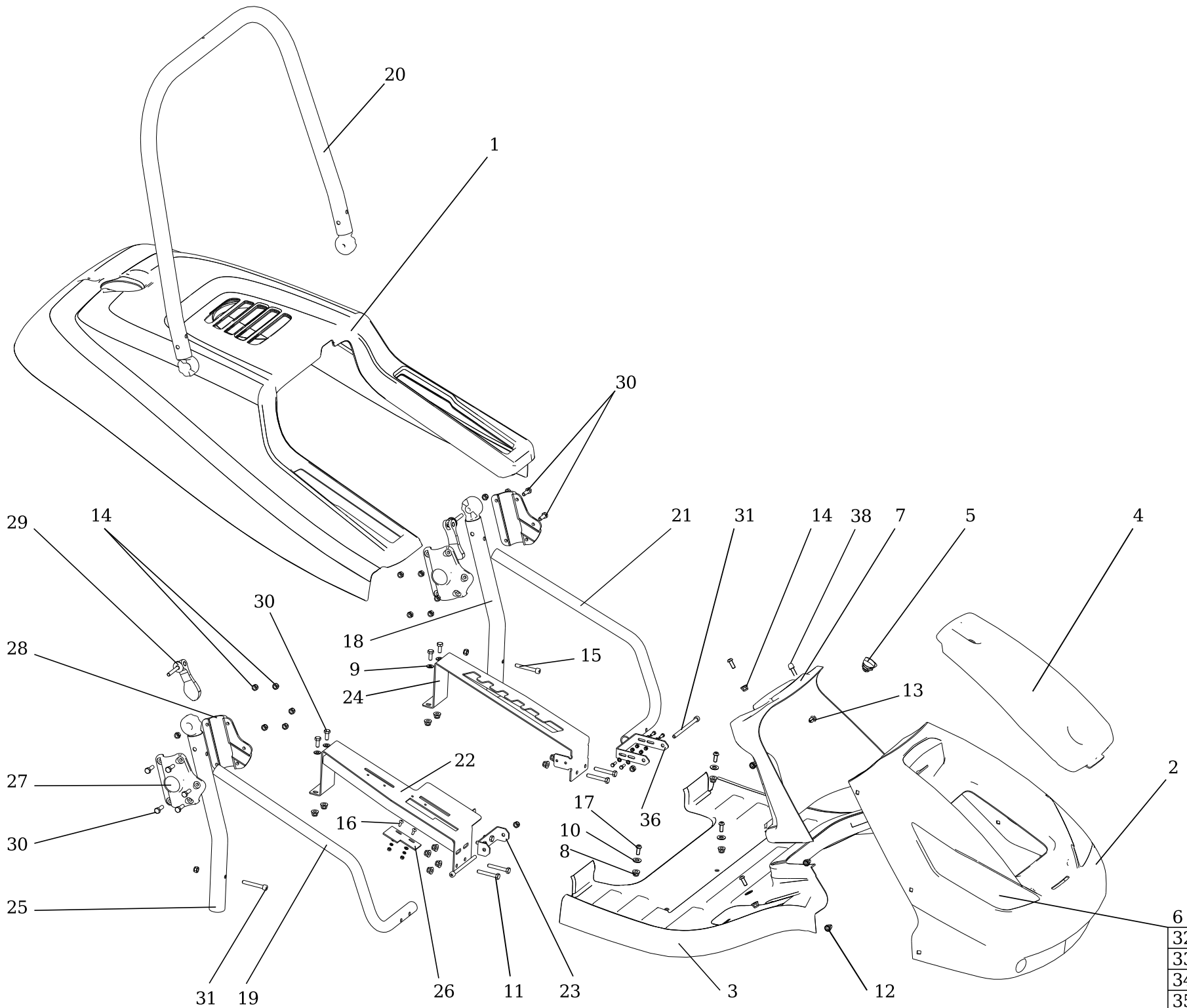
POS	QTY	PARTNUMBER	BESKRIVELSE	DESCRIPTION
29-1	1	423346	MØTRIK M12	NUT M 12 DIN 6923 8 ZINC. TOOTHED
29	1	423335	STYREKUGLE	ANGULAR JOINT 16 R DIN71802CS M12
30	1	423359	MØTRIK M12	NUT M 12
31	1	424124	STYRKUGLE	ANGULAR JOINT 16 DIN 71802 C M10
31-1	1	424706	MØTRIK M10	NUT M 10 DIN 6923 8 ZINC, TOOTHED
32	1	423545	FJEDERSPLIT 5X22	SPRING PIN 5X22
33	1	424707	BESLAG	HUB
34	1	423395	MØTRIK M10	NUT M 10
35	1	424708	STANG	TRAVEL TIE-ROD 0-8040-292
36	1	424709	ARM	LEVER COMPLETE
37	1	424710	NOT 6X40	SPRING PIN 6X40
38	1	424711	STANG	TIE-ROD 0-8010-275
39	1	424712	BOLT M6X50	SCREW M 6X50 WITH EYE BN1006 ZINC
39-1	1	423345	MØTRIK M6	NUT M 6
40	1	424605	FJEDER	SPRING 0-9746-487
41	1	423336	STYREKUGLE	ANGULAR JOINT 16 L DIN71802CS M12
41-1	1	423337	MØTRIK M12 LINKS	NUT M12 LEFT
42	1	424713	BESLAG	BRAKE LINING
43	1	424714	LÅSERING 4	LOCK RING 4
44	1	424715	PIN	PIN
45	1	424716	BESLAG	HUB COMPLETE
46	1	424603	SEEGERRING 12	LOCK RING 12
47	1	424672	LÅSERING	LOCK RING 7
48	1	424717	BESLAG	TRAVEL PIN
48-1	1	423348	SMØRENIPPEL MK6X1	LUBRICATING HEAD MK 6X1
49	1	423608	SKIVE 13	WASHER 13
50	1	424638	SPLIT 2X20	SPINDLE 2X20
51	1	424718	BESLAG	HUB OF TRAVEL SHIFTING
52	1	424719	NOT 5X25	SPRING PIN 5X25
53	1	424720	GEARSTANG	TRAVEL LEVER
53-1	1	424721	GREB SORT	HANDLE 1066 PR, 12 BLACK
56	1	423545	FJEDERSPLIT 5X22	SPRING PIN 5X22
57	1	424722	BESLAG	HUB
58	1	424559	SKRUE M8X55	SCREW M 8X55
58-1	1	423322	SKIVE M6X4	WASHER 6.4
58-2	1	423345	MØTRIK M6	NUT M 6
59	1	424723	BESLAG	OPERATION HOLDER
60	1	424559	SKRUE M8X55	SCREW M 8X55
60-1	1	423416	SKIVE M8.4	WASHER 8.4
60-2	1	423406	MØTRIK M8	NUT M 8
61	1	424724	LEJE	BEARING
62	1	424536	BOLT M6X18	SCREW M 6X18
62-1	1	423322	SKIVE M6X4	WASHER 6.4
62-2	1	423323	SKIVE M6	WASHER 6
62-3	1	423582	MØTRIK M6	NUT M6
63	1	424725	AKSEL	CONTROL DRIVE SHAFT

POS	QTY	PARTNUMBER	BESKRIVELSE	DESCRIPTION
64	1	424726	STANG	BREAKING TIE-ROD
65	1	424540	BOLT M6X20	SCREW M6X20
65-1	1	423345	MØTRIK M6	NUT M 6
66	1	424727	SKIVE 6,6	WASHER 6,6 ZINC
67	1	424728	FJEDER	SPRING TZ 080,088,0312 ZINC
68	1	424729	GUMMI 25X25RX70	COVER 25X25RX70 VINYL BLACK
69	1	424730	ARM	SENSITIVE DRIVE LEVER



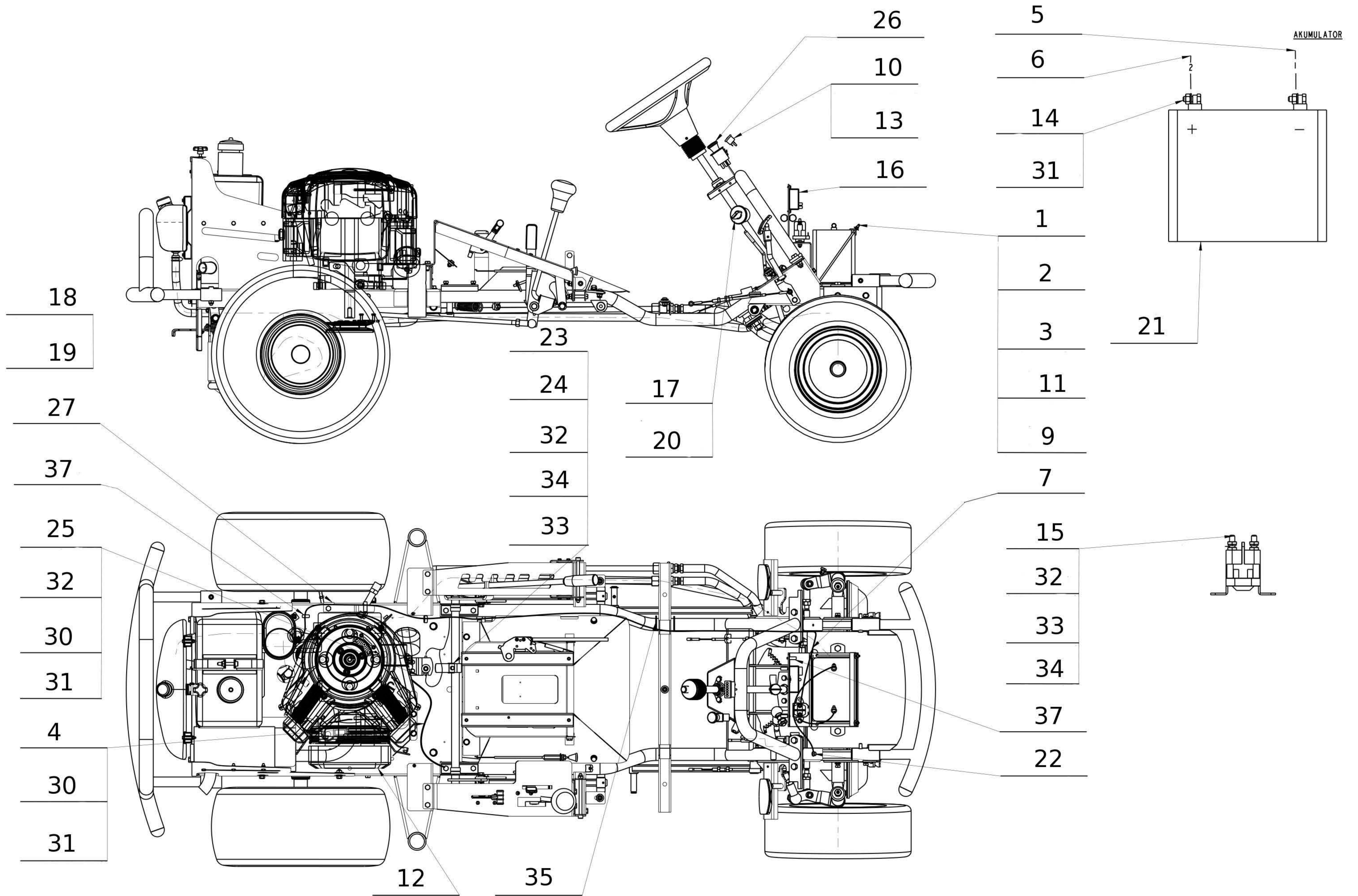


POS	QTY	PARTNUMBER	BESKRIVELSE	DESCRIPTION
1	1	424731	COVER	COVER
2	1	424732	BOLT	CARRIER SCREW
3	1	424733	SÆDE	SEAT SP 480 MILSCO
4	1	424734	FJEDER	SPRING 0-9746-503
5	1	424735	HÆTTE SORT	COVER 38 BLACK
6	1	423406	MØTRIK M8	NUT M 8
7	1	424736	BOLT M8X40	SCREW M 8X40
8	1	423418	SKIVE M8X25	WASHER 9 ZINC
9	1	424737	SÆDE BESLAG	SEAT CARRIER
10	1	423416	SKIVE M8.4	WASHER 8.4
11	1	424738	GLIDEPLADE	MECHANISM COBO SLIDING
12	1	423412	SÆDEKONTAKT	SEAT SWITCH DELTA 6500-02
13	1	424739	BOLT M8X20	SCREW M 8X20
14	1	423307	MØTRIK M8	NUT M 8 DIN 6926 8 ZINC

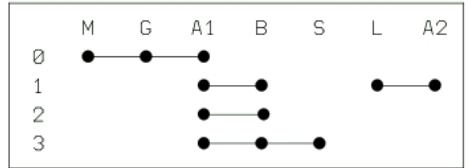
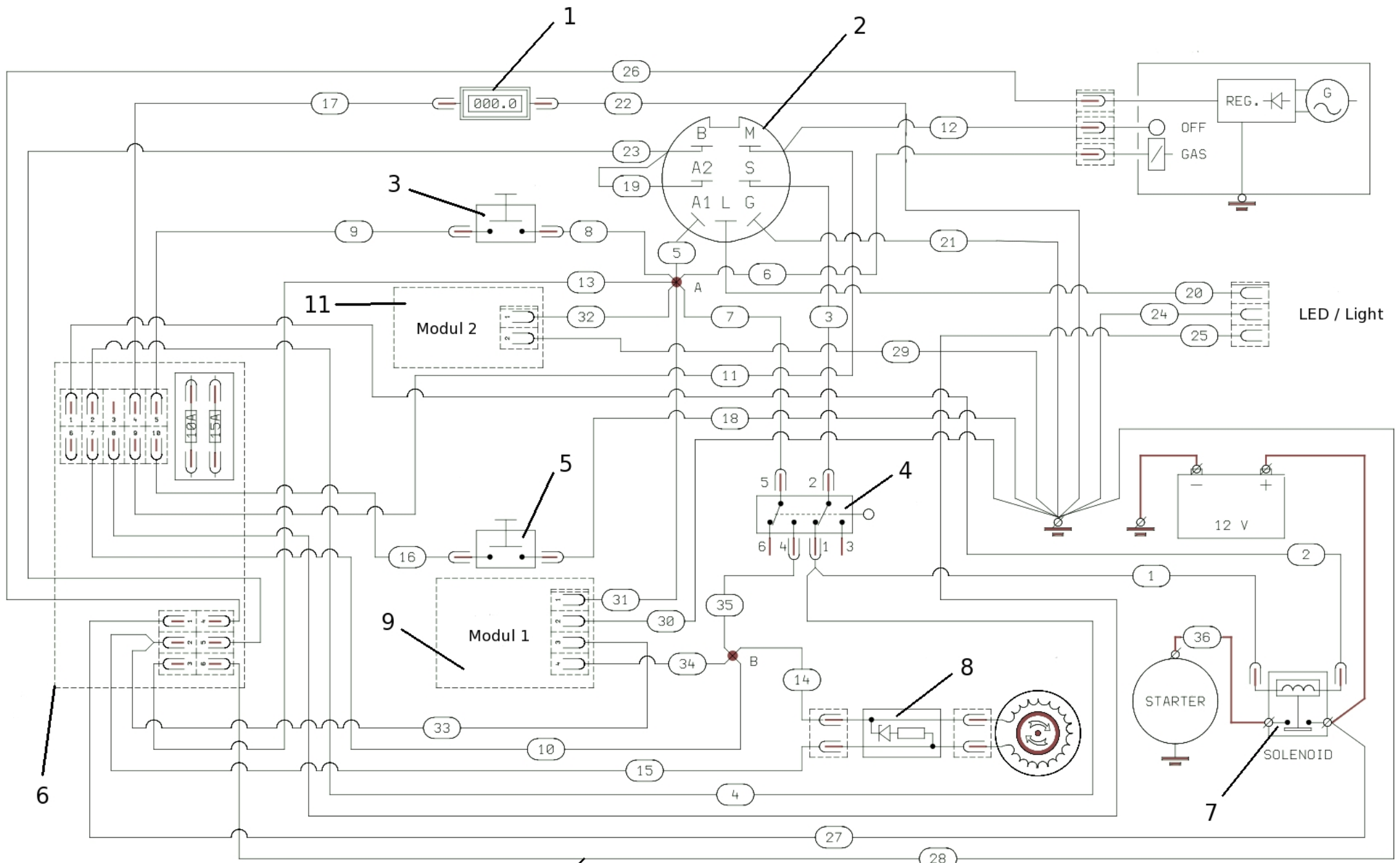


6
32
33
34
35

POS	QTY	PARTNUMBER	BESKRIVELSE	DESCRIPTION
1	1	424740	HJÆLM	HOOD 9-1847-331 CROSSJET
2	1	424741	HJÆLM	HOOD 9-1849-377 WITH LIGHTS
3	1	424742	FODPLADE	FLOOR 0-1847-428 SC
4	1	424743	BATTERI DÆKSEL	BATTERY COVER 0-1847-429 SC
5	1	424744	VINGEMØTRIK	LOCK, TURNING E5-1-115-091
6	1	424745	LYGTE	LIGHTS CABLE HARNESS
8	1	424527	MØTRIK M8	NUT M 8
9	1	423416	SKIVE M8.4	WASHER 8.4
10	1	423405	SKIVE 10,5	WASHER 10.5
11	1	424625	SKRUE M8X80	SCREW M8X80
12	1	423478	SÆDE	SEATING D7-201-802-010
13	1	423479	STUDS	STUD D7-201-711-010
14	1	423406	MØTRIK M8	NUT M 8
15	1	424563	SKRUE M8X55	SCREW M 8X55 8.8 A2L ISO 4762
16	1	424746	SKRUE M6X20	SCREW M 6X20 DIN 912 8,8 ZINK
17	1	424747	MASKINESKRUE M8X20	SCREW M 8X20 ISO 7380 10,9 ZINC
18	1	424748	STANG VENSTRE	FRAME PIPE LEFT
19	1	424749	BØJLE HØJRE	RIGHT HANDLE
20	1	424750	BØJLE	FOLDING FRAME COMPLETE
21	1	424751	BØJLE VENSTRE	LEFT HANDLE
22	1	424752	HOLDER	SHIFTING HOLDER
23	1	424753	BESLAG HØJRE	HOOD HOLDER RIGHT COMPLETE
25	1	424754	RØR HØJRE	FRAME PIPE RIGHT
26	1	424755	PLADE	FOOT
27	1	424756	BESLAG A	TUBE CONNECTION A 01847-431
28	1	424757	BESLAG B	TUBE CONNECTION B 01847-432
29	1	424758	HOLDER	EXCENTRIC LEVER 0432-201108X50
30	1	423420	BOLT M8X20	SCREW M8X20
31	1	424759	BOLT M8X120	SCREW M 8X120
32	1	424760	LYGTEGLAS	COVER GLAS FOR REFLECTOR
33	1	424761	REFLEKS	REFLECTOR HEADLIGHT (PAIR) CROSSJ
34	1	424762	REFLEKS	HEADLIGHT CROSSJET (SPARE PART)
35	1	424763	PÆRE 12V 20W	LIGHTBULB 12V 20W, HEADER GV4
36	1	424764	BESLAG VENSTRE	HOOD HOLDER LEFT
37	1	424571	VINGEMØTRIK M6X16	CONTROL STAR STG2A 40 M6X15



POS	QTY	PARTNUMBER	BESKRIVELSE	DESCRIPTION
1	1	424765	BATTERIHOLDER	BATTERY HOLDER
2	1	424766	SKIVE	WASHER 0-9630-307 T3
3	1	424767	LEDNING	WIRE 0-9040-203
4	1	424768	KABEL	CABLE 9-8316-587
5	1	424769	KABEL	CABLE 9-8316-586
6	1	424770	KABEL	CABLE 9-8316-588
7	1	424771	KABEL	CABLE HARNESS KS004026 SC
8	1	423458	NITTE	RIVET 282702
9	1	423320	MØTRIK M5	NUT M5
10	1	423434	TIMETÆLLER	HOUR-METER SEN DEC DIGITAL
11	1	424772	SKIVE 5,5	WASHER 5,5 ZINC
12	1	423423	PÆRE	PROTECTIVE DIODES HARNESS 9-8316-
13	1	424773	LABEL	LABEL KS004020
14	1	423368	BOLT M6X20	SCREW M 6X20
15	1	423431	STARTRELÆ	SOLENOID 12V CLUM 94255
16	1	424774	KONTROLPANEL	CONTROL UNIT
17	1	423433	KONTAKT OPSAMLER	SWITCH BOX DELTA 6900-47 P
18	1	424775	KONTAKT	MICROSWITCH MKO-10-01/408312001
19	1	424776	SKIVE 12X18X0.5	WASHER 12X18X0,5 DIN 988 L07
20	1	423472	STARTNØGLE	STARTING KEY DELTA 688P-001
21	1	424073	BATTERI 12V-32AH	BATTERY 12V-32AH ETECH F-ET-U1-R3
22	1	423495	BOLT ST6.3X32	SCREW ST 6.3X32 DIN 7504 K
23	1	424658	PLADE	SPRING ELEMENT
24	1	424657	BESLAG	SAFETY WASHER
25	1	424777	KONTAKT	SWITCH HOLDER
26	1	423432	KONTAKT PTO	SWITCH PTO DELTA 6201-321
27	1	424778	HOLDER	HOLDER
29	1	424779	SKIVE	WASHER
30	1	423323	SKIVE M6	WASHER 6
31	1	423582	MØTRIK M6	NUT M6
32	1	423321	SKRUE M6X16	SCREW M6X16
33	1	423322	SKIVE M6X4	WASHER 6.4
34	1	423345	MØTRIK M6	NUT M 6
35	1	424695	KABEL	TIE RT 360 /L=200/
36	1	424780	SKIVE	TIE RT 360 /L=150/
37	1	423421	KLIPS	CLIP WSBH 1-0-1



POS	QTY	PARTNUMBER	BESKRIVELSE	DESCRIPTION
1	1	423434	TIMETÆLLER	HOUR-METER SEN DEC DIGITAL
2	1	423433	KONTAKT OPSAMLER	SWITCH BOX DELTA 6900-47 P
3	1	423412	SÆDEKONTAKT	SEAT SWITCH DELTA 6500-02
4	1	423432	KONTAKT PTO	SWITCH PTO DELTA 6201-321
5	1	424775	KONTAKT	MICROSWITCH MKO-10-01/408312001
6	1	424774	KONTROLPANEL	CONTROL UNIT
7	1	423431	STARTRELÆ	SOLENOID 12V CLUM 94255
8	1	423423	PÆRE	PROTECTIVE DIODES HARNESS 9-8316-
9	1	424781	LEDNINGSNET	ELECTRIC CABLE HARNESS KS004040
10	1	424771	KABEL	CABLE HARNESS KS004026 SC