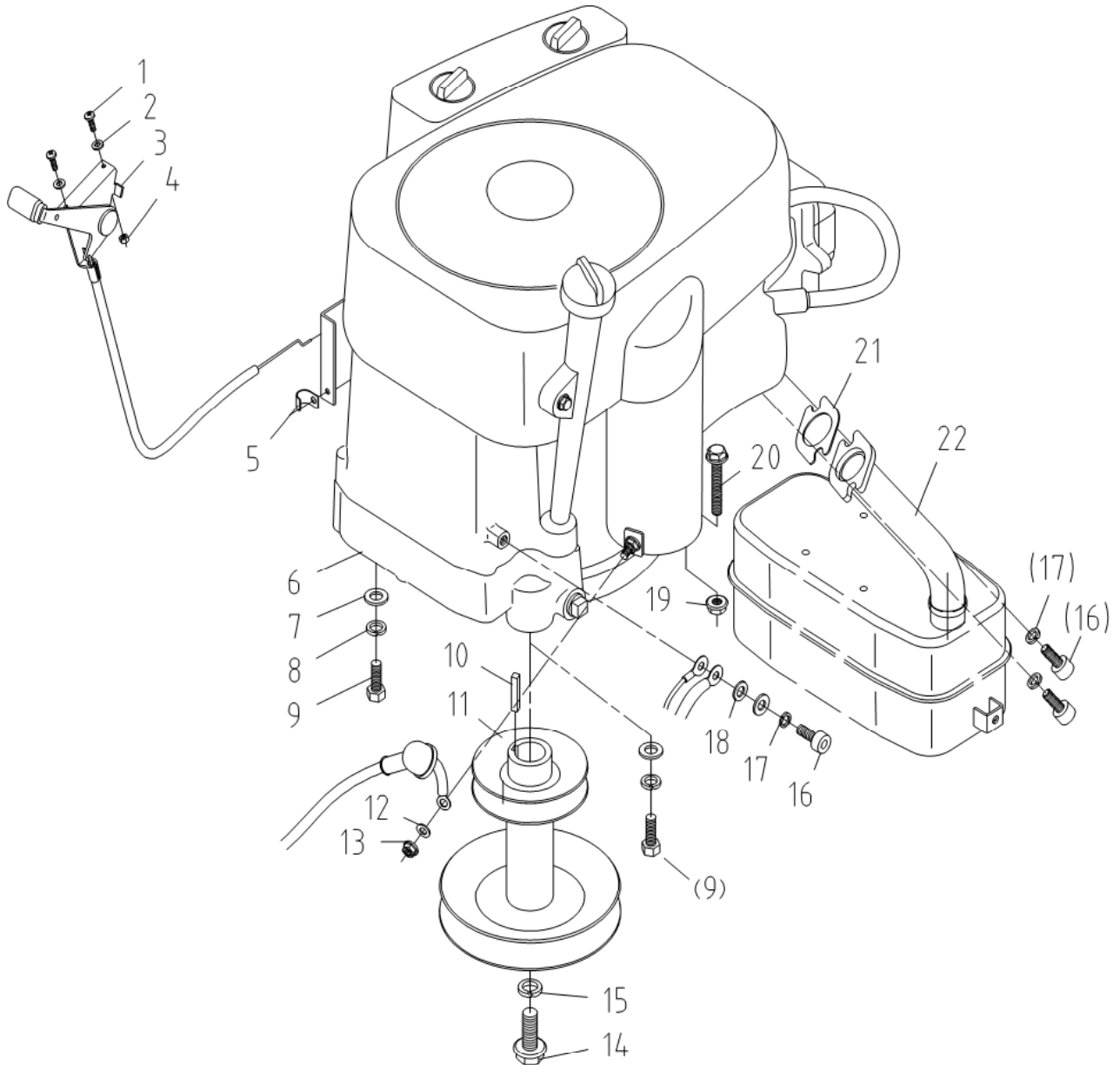
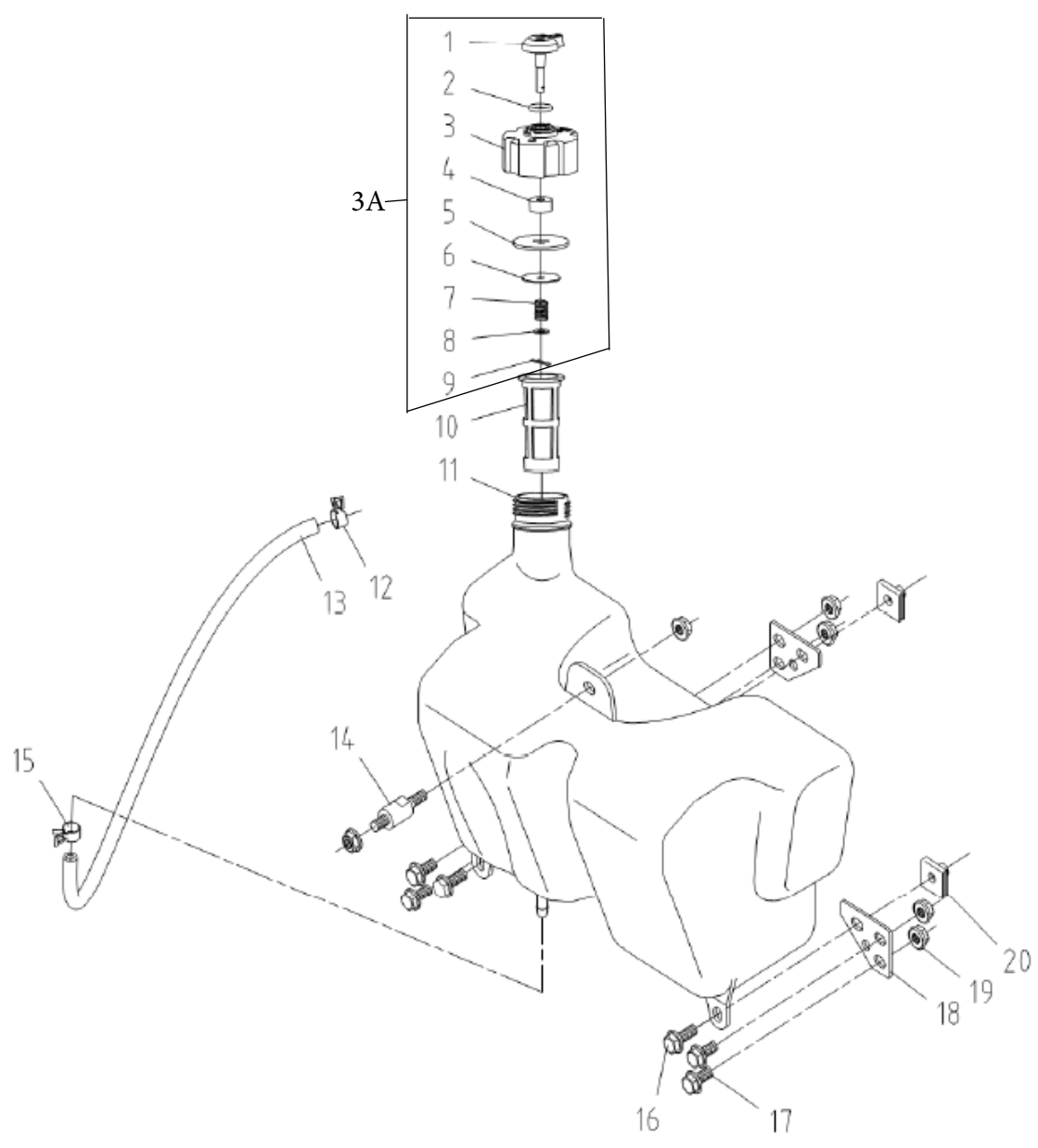


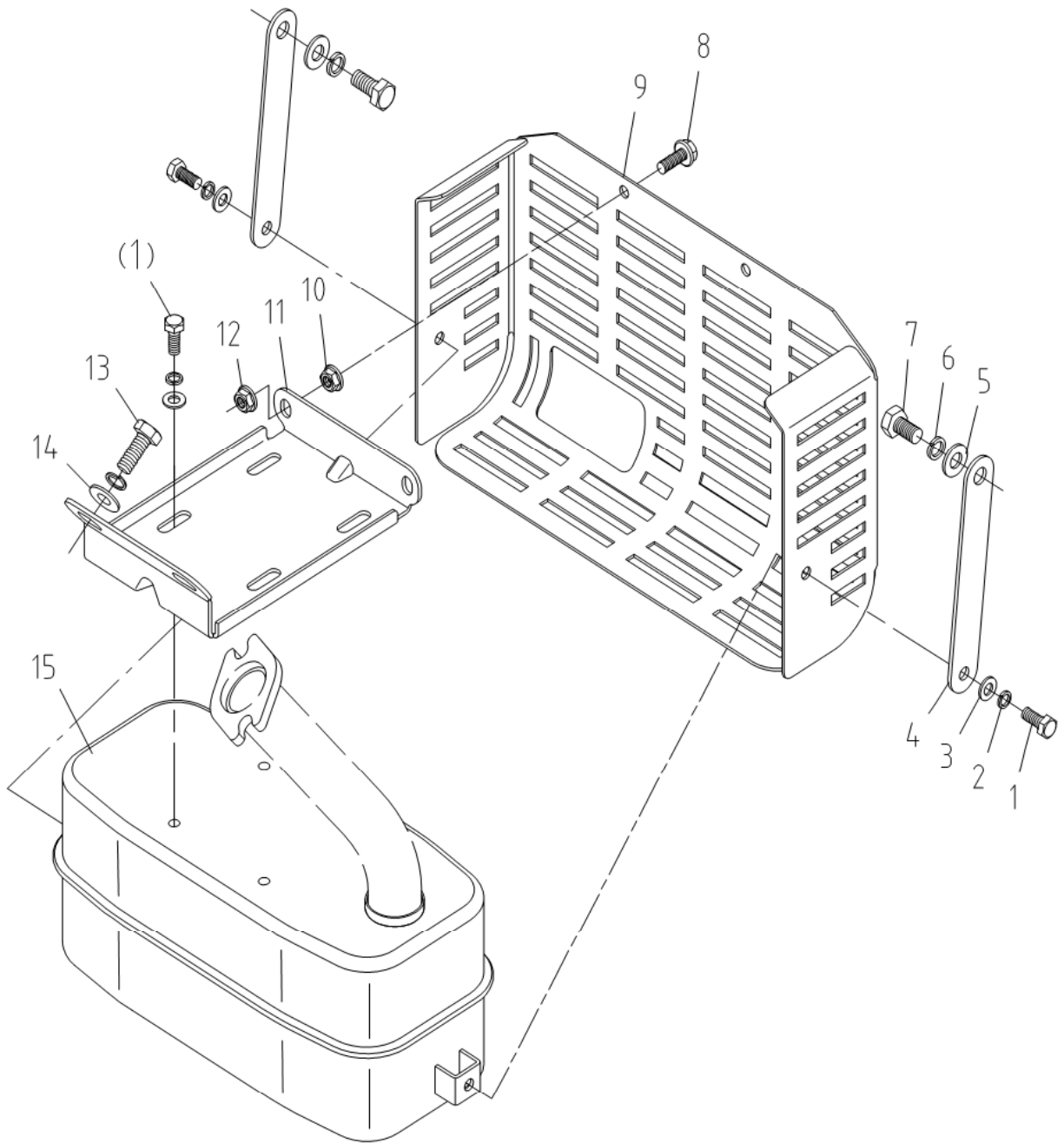
Art.Nr. 90063129
Model: XC140-98
Year: 2022



| POS | QTY | PARTNUMBER | BESKRIVELSE | DESCRIPTION |
|-----|-----|------------|---------------------------|--------------------------|
| 1 | 2 | 439437 | BOLT M6X16 | SCREW M6X16 |
| 2 | 2 | 436590 | SKIVE M8 | WASHER |
| 3 | 1 | 436571 | GASKABEL MED REGULATOR | THROTTLE CABLE |
| 4 | 2 | 439438 | MØTRIK M8 | HEXAGON NUT M8 |
| 5 | 1 | 415950 | BESLAG | CORD SPLINT |
| 6 | 1 | 438710 | LC1P90F-1/432 CC | ENGINE, LONCIN 432CC |
| 7 | 3 | 436590 | SKIVE M8 | WASHER |
| 8 | 3 | 439440 | FJEDERSKIVE 10 | SPRING WASHER 10 |
| 9 | 3 | 439441 | BOLT M8X45 | FLANGE BOLT M10×1.5×35 |
| 10 | 1 | 439442 | NOT | FLAT KEY 6.35×30 |
| 11 | 1 | 439443 | REMSKIVE | STEP PULLEY |
| 12 | 1 | 436590 | SKIVE M8 | WASHER |
| 13 | 1 | 439444 | LÅSEMØTRIK M6 | FLANGE LOCK NUT M6 |
| 14 | 1 | 436589 | KNIVBOLT 3/8"-24 - 1 1/4" | BOLT |
| 15 | 1 | 439445 | FJEDERSKIVE 7/16" | "SPRING WASHER 7/16"" |
| 16 | 3 | 439446 | SKRUE 5/16"-18-3/4" | " SCREW 5/16""-18 -3/4"" |
| 17 | 3 | 439445 | FJEDERSKIVE 7/16" | "SPRING WASHER 7/16"" |
| 18 | 2 | 436590 | SKIVE M8 | WASHER |
| 19 | 1 | 439444 | LÅSEMØTRIK M6 | FLANGE LOCK NUT M6 |
| 20 | 1 | 439441 | BOLT M8X45 | FLANGE BOLT M10×1.5×35 |
| 21 | 1 | 439447 | PAKNING | GASKET |
| 22 | 1 | 439448 | UDSTØDNING | EXHAUST PIPE |

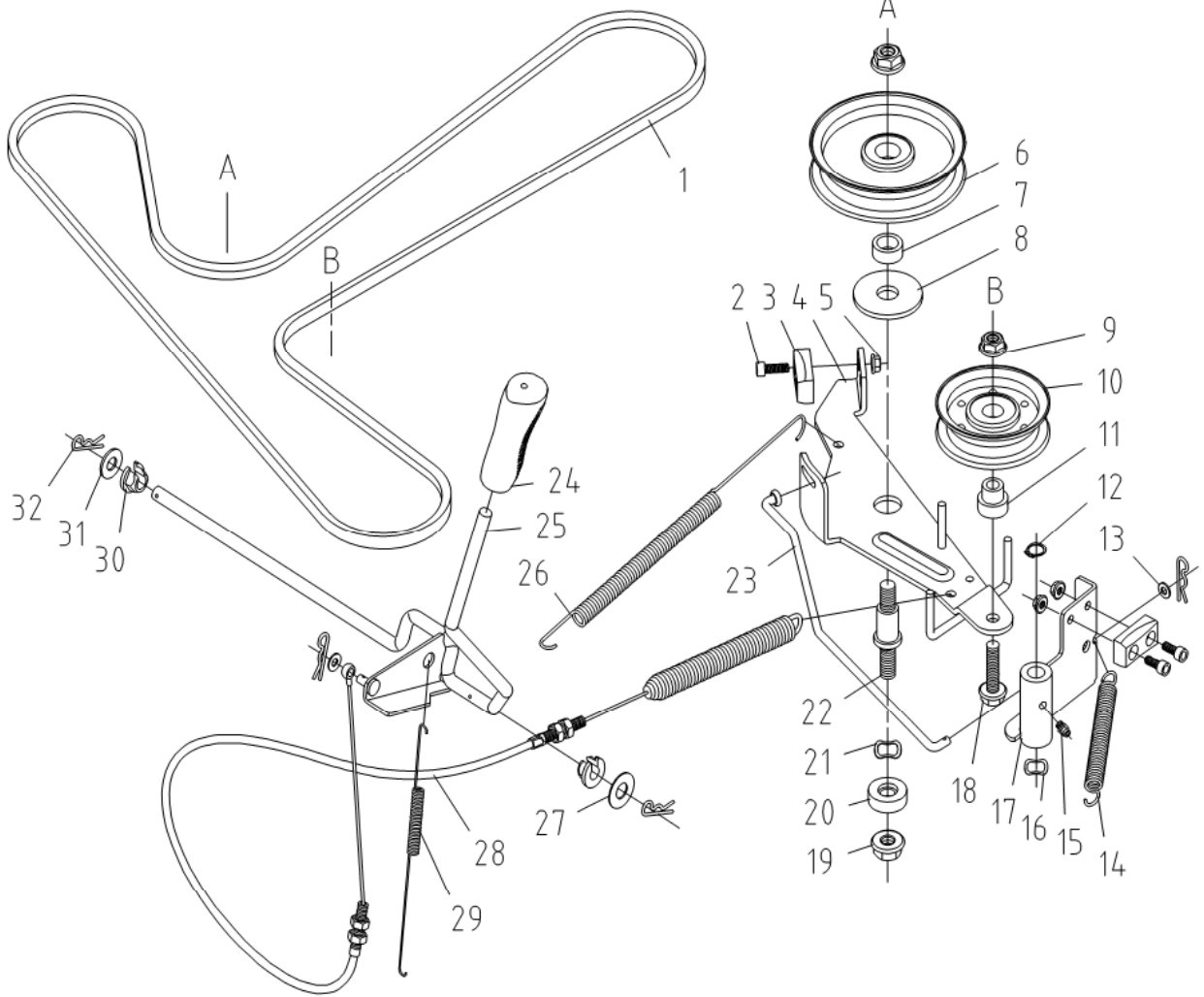


| POS | QTY | PARTNUMBER | BESKRIVELSE | DESCRIPTION |
|-----|-----|------------|----------------------|------------------------|
| 1 | 1 | 439449 | VENTIL | FUEL TANK CAP LEVER |
| 2 | 1 | 439450 | GUMMIRING | O RING |
| 3 | 1 | 439451 | TANKDÆKSEL | FUEL TANK CAP |
| 3A | 1 | 451018 | TANKLÅG KPL. | FUEL CAP ASSY |
| 4 | 1 | 439452 | FILTER | FUEL TANK CAP FILTER |
| 5 | 1 | 439453 | PAKNING | FUEL TANK CAP SEAL |
| 6 | 1 | 439454 | TANKPAKNING 6X25X1.5 | GASKET 6×25×1.5 |
| 7 | 1 | 439455 | FJEDER | FUEL TANK CAP SPRING |
| 8 | 1 | 436590 | SKIVE M8 | WASHER |
| 9 | 1 | 439456 | SPLIT | SPLIT PIN |
| 10 | 1 | 436572 | BENZINFILTER | FILTER CAP |
| 11 | 1 | 439457 | BRÆNDSTOFTANK | FUEL TANK |
| 12 | 1 | 439458 | KLEMME | CLIP 10 |
| 13 | 1 | 439459 | BRÆNDSTOFSLANGE | FUEL HOSE |
| 14 | 1 | 439460 | BOLT | FUEL TANK BOLT |
| 15 | 1 | 439461 | KLEMME | TUBE HOOP |
| 16 | 2 | 439441 | BOLT M8X45 | FLANGE BOLT M10×1.5×35 |
| 17 | 4 | 439462 | BOLT M8X16 | BOLT M8×16 |
| 18 | 2 | 439463 | PLADE | FUEL TANK SUPPORT |
| 19 | 6 | 439444 | LÅSEMØTRIK M6 | FLANGE LOCK NUT M6 |
| 20 | 2 | 439464 | SPÆNDESTYKKE M8 | BUCKLE NUT M8 |

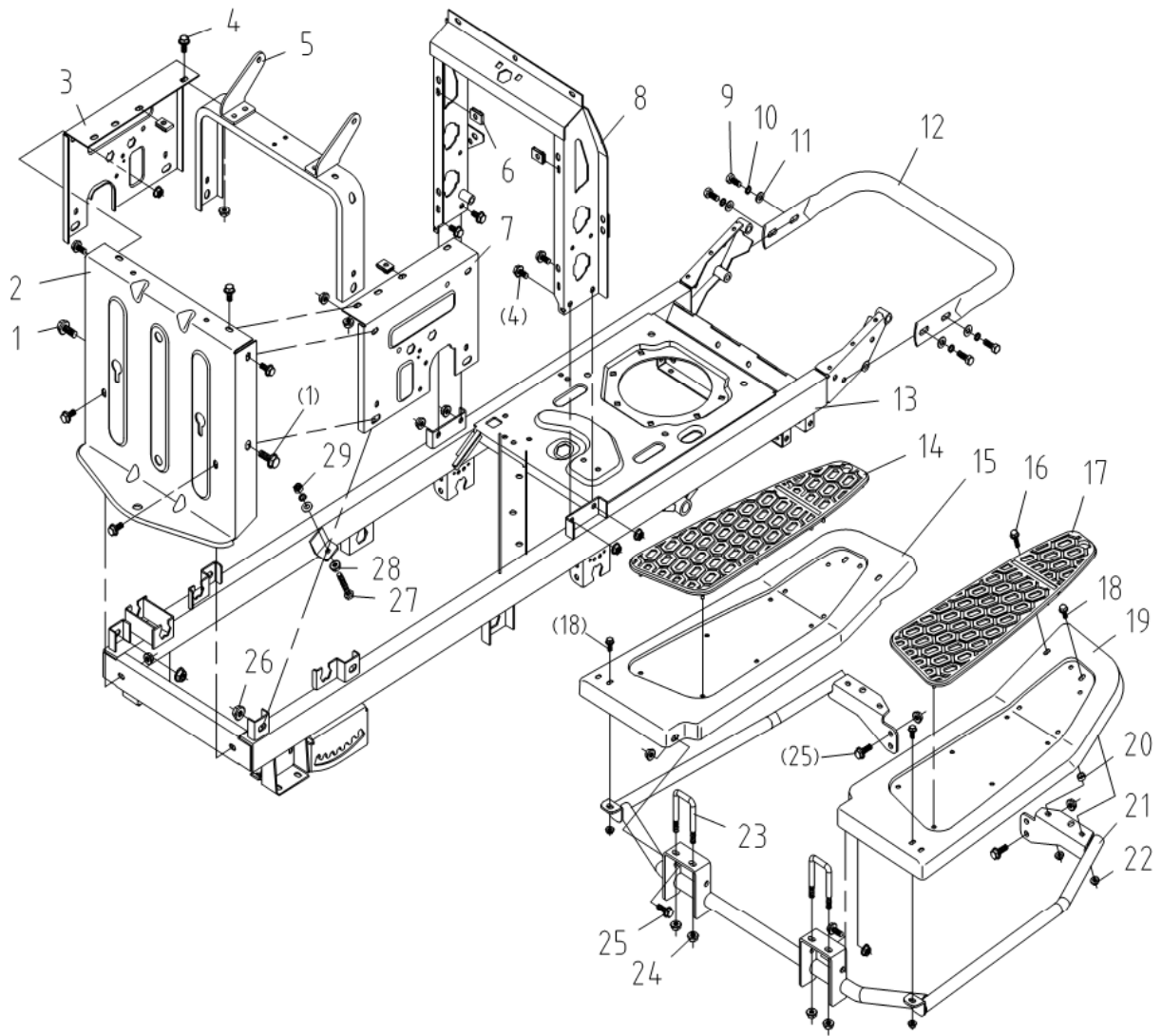


| POS | QTY | PARTNUMBER | BESKRIVELSE | DESCRIPTION |
|-----|-----|------------|----------------|------------------------|
| 1 | 6 | 439462 | BOLT M8X16 | BOLT M8×16 |
| 2 | 6 | 439440 | FJEDERSKIVE 10 | SPRING WASHER 10 |
| 3 | 6 | 439465 | SKIVE 10 | BIG WASHER 6 |
| 4 | 2 | 439466 | PLADE | MUFFLER ROD |
| 5 | 2 | 436590 | SKIVE M8 | WASHER |
| 6 | 4 | 439440 | FJEDERSKIVE 10 | SPRING WASHER 10 |
| 7 | 2 | 439462 | BOLT M8X16 | BOLT M8×16 |
| 8 | 2 | 439441 | BOLT M8X45 | FLANGE BOLT M10×1.5×35 |
| 9 | 1 | 439467 | SKJOLD | FRONT SHIELD |
| 10 | 2 | 439468 | MØTRIK M6 | FLANGE NUT M6 |
| 11 | 1 | 439469 | BESLAG | BRACKET |
| 12 | 2 | 439470 | LÅSEMØTRIK M6 | FLANGE LOCK NUT M6 |
| 13 | 2 | 439441 | BOLT M8X45 | FLANGE BOLT M10×1.5×35 |
| 14 | 2 | 439465 | SKIVE 10 | BIG WASHER 6 |
| 15 | 1 | 439471 | DÆMPER | MUFFLE |

| POS | QTY | PARTNUMBER | BESKRIVELSE | DESCRIPTION |
|-----|-----|------------|---------------------|-----------------------------|
| 1 | 4 | 439472 | BOLT M8X20 | BOLT M8×20 |
| 2 | 1 | 439473 | STANG | LEFT ROD |
| 3 | 4 | 439444 | LÅSEMØTRIK M8 | FLANGE LOCK NUT M6 |
| 4 | 1 | 436573 | DRIVREM 48X920 | V BELT |
| 5 | 5 | 439474 | LÅSEMØTRIK M10X1.25 | FLANGE LOCK NUT M10×1.25 |
| 6 | 1 | 439475 | BESLAG | RIGHT ROD |
| 7 | 1 | 439476 | BESLAG | DRIVING TENTION ARM |
| 8 | 1 | 439477 | FORBINDELSSESSTANG | CONNECTING ROD |
| 9 | 2 | 436590 | SKIVE M8 | WASHER |
| 10 | 2 | 439478 | FJEDERSPLIT | SPRING PIN |
| 11 | 1 | 439479 | BOLT | TENTION PULLEY SHAFT |
| 12 | 1 | 436574 | REMSKIVE | TENSION PULLEY |
| 13 | 1 | 436583 | LEJE 61904-2RZ | BEARING |
| 14 | 1 | 439480 | KARABINHAGE 37 | SNAP RING 37 |
| 15 | 1 | 439481 | LÅSEMØTRIK M10X1.25 | LOCK NUT M10×1.25 |
| 16 | 1 | 439441 | BOLT M8X45 | FLANGE BOLT M10×1.5×35 |
| 17 | 1 | 439483 | BØS | DRIVING TENTION ARM BUSHING |
| 18 | 1 | 439484 | SKIVE 12X18X0.4 | WASHER 12×18×0.4 |
| 19 | 1 | 439485 | GEARDEL | GEAR SHIFT PIN |
| 20 | 1 | 439465 | SKIVE 10 | BIG WASHER 6 |
| 21 | 1 | 439441 | BOLT M8X45 | FLANGE BOLT M10×1.5×35 |
| 22 | 1 | 439487 | BØS | TENTION PULLEY BUSHING |
| 23 | 1 | 436575 | REMSKIVE | TENSION PULLEY |
| 24 | 2 | 439488 | MØTRIK | " FLANGE NUT M10×1.25 |
| 25 | 1 | 439490 | STANG HØJRE | REAR ROD R |
| 26 | 1 | 439491 | STANG VENSTRE | REAR ROD L |
| 27 | 1 | 436576 | FJEDER | SPRING |

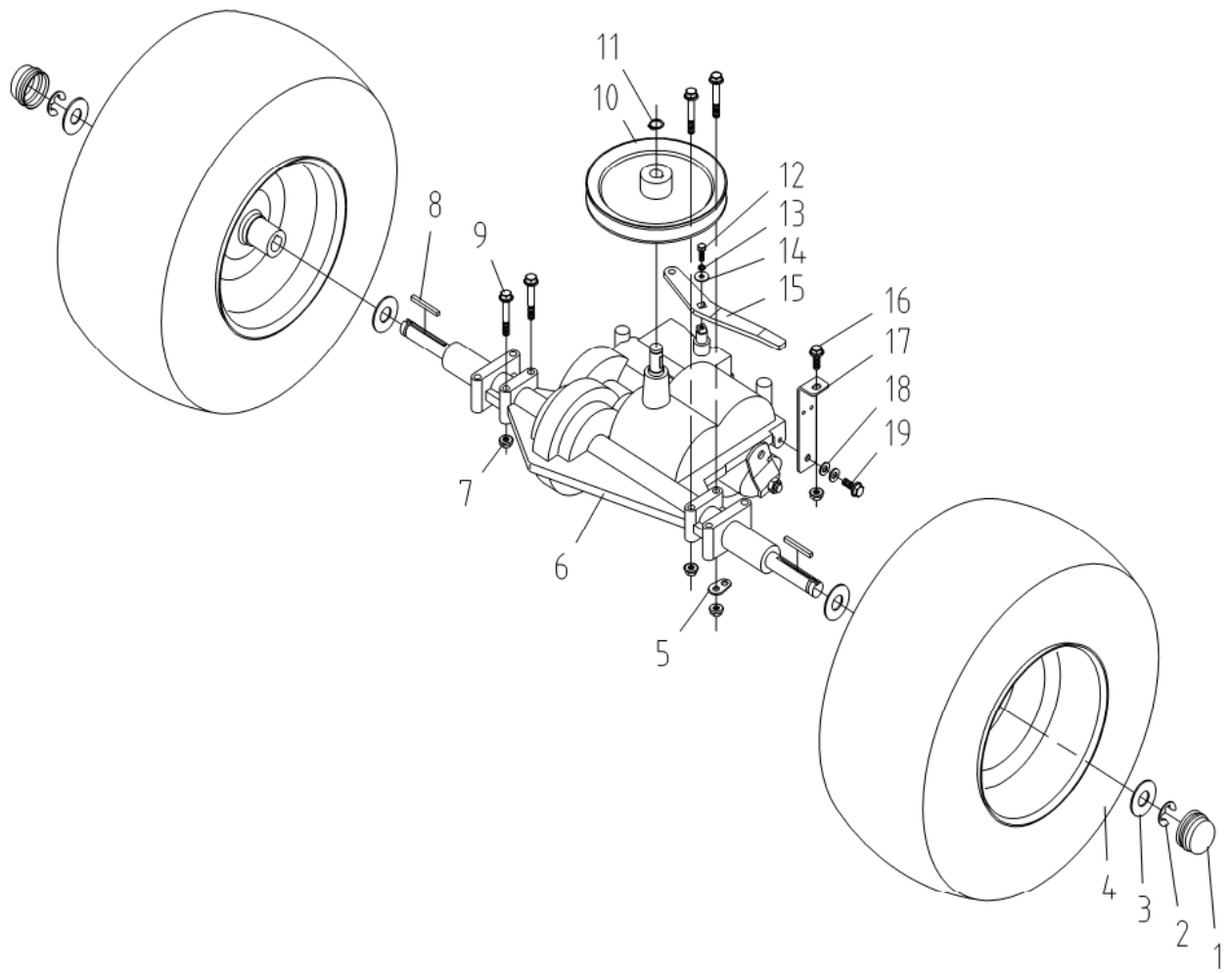


| POS | QTY | PARTNUMBER | BESKRIVELSE | DESCRIPTION |
|-----|-----|------------|---------------------|--------------------------|
| 1 | 1 | 436577 | KLIPPEREM 48X900 | V BELT |
| 2 | 4 | 439492 | SKRUE M6X20 | SCREW M6×20 |
| 3 | 2 | 439493 | BREMSEKLODS | BRAKE SHOE |
| 4 | 1 | 439494 | BESLAG | CUTTING ARM |
| 5 | 4 | 439444 | LÅSEMØTRIK M8 | FLANGE LOCK NUT M6 |
| 6 | 1 | 439495 | REMSKIVE | IDLENESS PULLEY |
| 7 | 1 | 439496 | BØS | BUSHING |
| 8 | 1 | 439497 | SKIVE 17.3X55X4 | WASHER 17.3×55X4 |
| 9 | 1 | 439474 | LÅSEMØTRIK M10X1.25 | FLANGE LOCK NUT M10×1.25 |
| 10 | 1 | 436575 | REMSKIVE | TENSION PULLEY |
| 11 | 1 | 439487 | BØS | TENTION PULLEY BUSHING |
| 12 | 1 | 436587 | SEEGERRING | SNAP RING 19 |
| 13 | 2 | 436590 | SKIVE M8 | WASHER |
| 14 | 1 | 436579 | FJEDER FOR BREMSE | BRAKE SPRING R |
| 15 | 1 | 439498 | DYSE | OIL INJECTION NOZZLE |
| 16 | 1 | 439484 | SKIVE 12X18X0.4 | WASHER 12×18×0.4 |
| 17 | 1 | 439499 | BREMSEARM | BRAKE ARM R |
| 18 | 1 | 439441 | BOLT M8X45 | FLANGE BOLT M10×1.5×35 |
| 19 | 2 | 439474 | LÅSEMØTRIK M10X1.25 | FLANGE LOCK NUT M10×1.25 |
| 20 | 1 | 439500 | BØS | BUSHING |
| 21 | 1 | 439484 | SKIVE 12X18X0.4 | WASHER 12×18×0.4 |
| 22 | 1 | 439501 | BOLT | IDLENESS PULLEY SHAFT |
| 23 | 1 | 439502 | STANG | CUTTING ROD R |
| 24 | 1 | 439503 | GREB | HANDLE |
| 25 | 1 | 439504 | BREMSESTANG | CLUTCH LEVER |
| 26 | 1 | 436580 | FJEDER FOR BREMSE | BRAKE SPRING L |
| 27 | 1 | 436590 | SKIVE M8 | WASHER |
| 28 | 1 | 436581 | KABEL | CUT DRIVE CABLE |
| 29 | 1 | 436602 | FJEDER | CLUTCH LEVER SPRING |
| 30 | 2 | 439505 | BØS | HATCH BUSHING |
| 31 | 2 | 436590 | SKIVE M8 | WASHER |
| 32 | 4 | 439478 | FJEDERSPLIT | SPRING PIN |

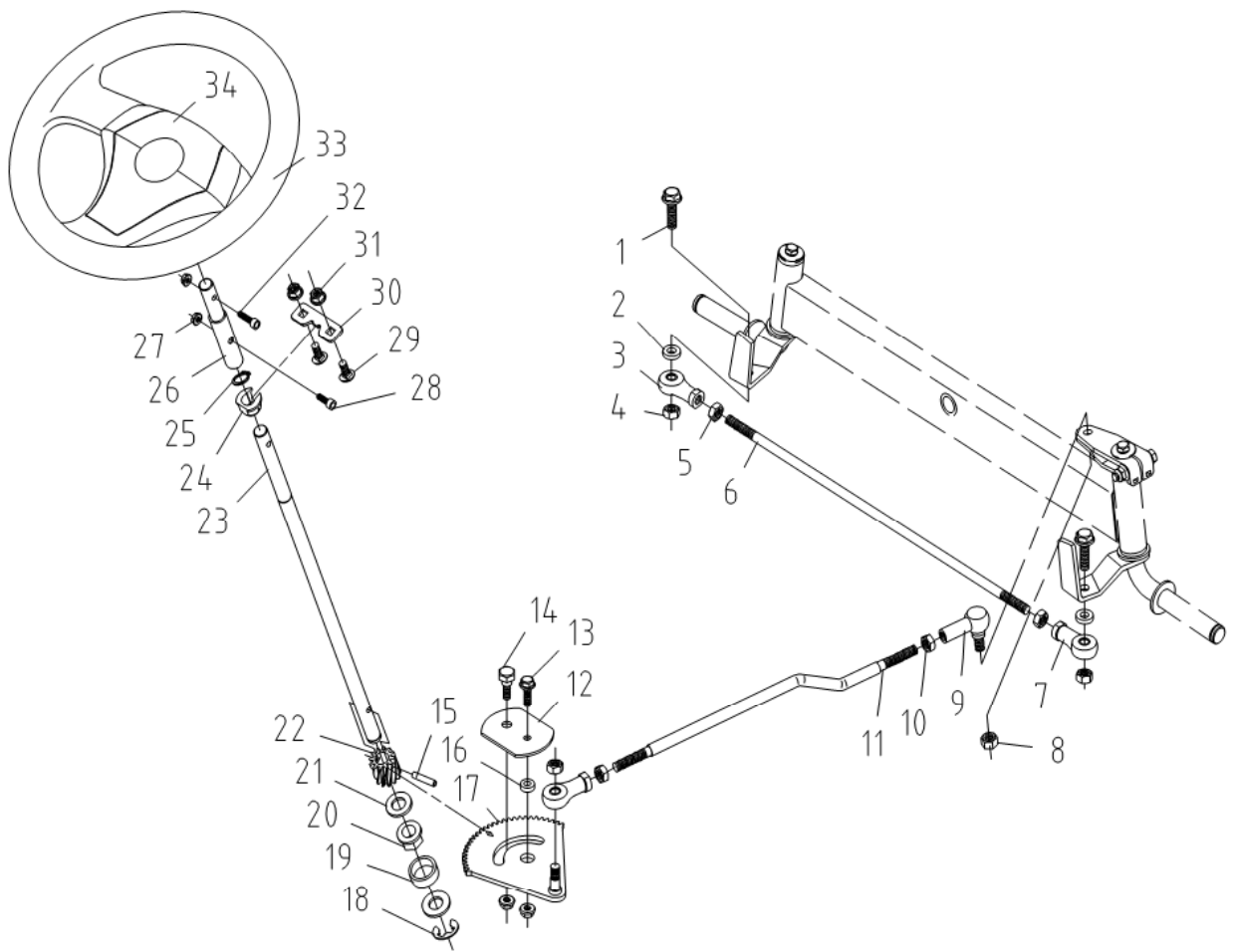


| POS | QTY | PARTNUMBER | BESKRIVELSE | DESCRIPTION |
|-----|-----|------------|----------------|------------------------|
| 1 | 2 | 439441 | BOLT M8X45 | FLANGE BOLT M10×1.5×35 |
| 2 | 1 | 439506 | BESLAG | REAR BRACKET |
| 3 | 1 | 439507 | BESLAG | LEFT BRACKET |
| 4 | 12 | 439441 | BOLT M8X45 | FLANGE BOLT M10×1.5×35 |
| 5 | 1 | 439508 | BESLAG | SEAT BRACKET |
| 6 | 8 | 439509 | MØTRIK | BUCKLE NUT M6 |
| 7 | 1 | 439510 | BESLAG | RIGHT BRACKET |
| 8 | 1 | 439511 | BESLAG | STEERING BRACKET |
| 9 | 4 | 439462 | BOLT M8X16 | BOLT M8×16 |
| 10 | 5 | 439440 | FJEDERSKIVE 10 | SPRING WASHER 10 |
| 11 | 5 | 439465 | SKIVE 10 | BIG WASHER 6 |
| 12 | 1 | 439512 | KOFANGER | BUMPER |
| 13 | 1 | 439513 | RAMME | FRAME |
| 14 | 1 | 439514 | GUMMIMÅTTE | MAT L |
| 15 | 1 | 439515 | FODPLADE | FOOT BOARD L |
| 16 | 2 | 439441 | BOLT M8X45 | FLANGE BOLT M10×1.5×35 |
| 17 | 1 | 439516 | GUMMIMÅTTE | MAT R |
| 18 | 4 | 439441 | BOLT M8X45 | FLANGE BOLT M10×1.5×35 |
| 19 | 1 | 439517 | FODPLADE | FOOT BOARD R |
| 20 | 2 | 439518 | BØS | BUSHING |
| 21 | 1 | 439519 | BESLAG | FOOT BRACKET |
| 22 | 6 | 439444 | LÅSEMØTRIK M8 | FLANGE LOCK NUT M6 |
| 23 | 2 | 439520 | BOLT M8 | U BOLT M8 |
| 24 | 22 | 439444 | LÅSEMØTRIK M8 | FLANGE LOCK NUT M6 |
| 25 | 6 | 439441 | BOLT M8X45 | FLANGE BOLT M10×1.5×35 |
| 26 | 2 | 439488 | MØTRIK | " FLANGE NUT M10×1.25 |
| 27 | 1 | 439462 | BOLT M8X16 | BOLT M8×16 |
| 28 | 1 | 439468 | MØTRIK M6 | FLANGE NUT M6 |
| 29 | 1 | 439438 | MØTRIK M4 | NUT M4 |

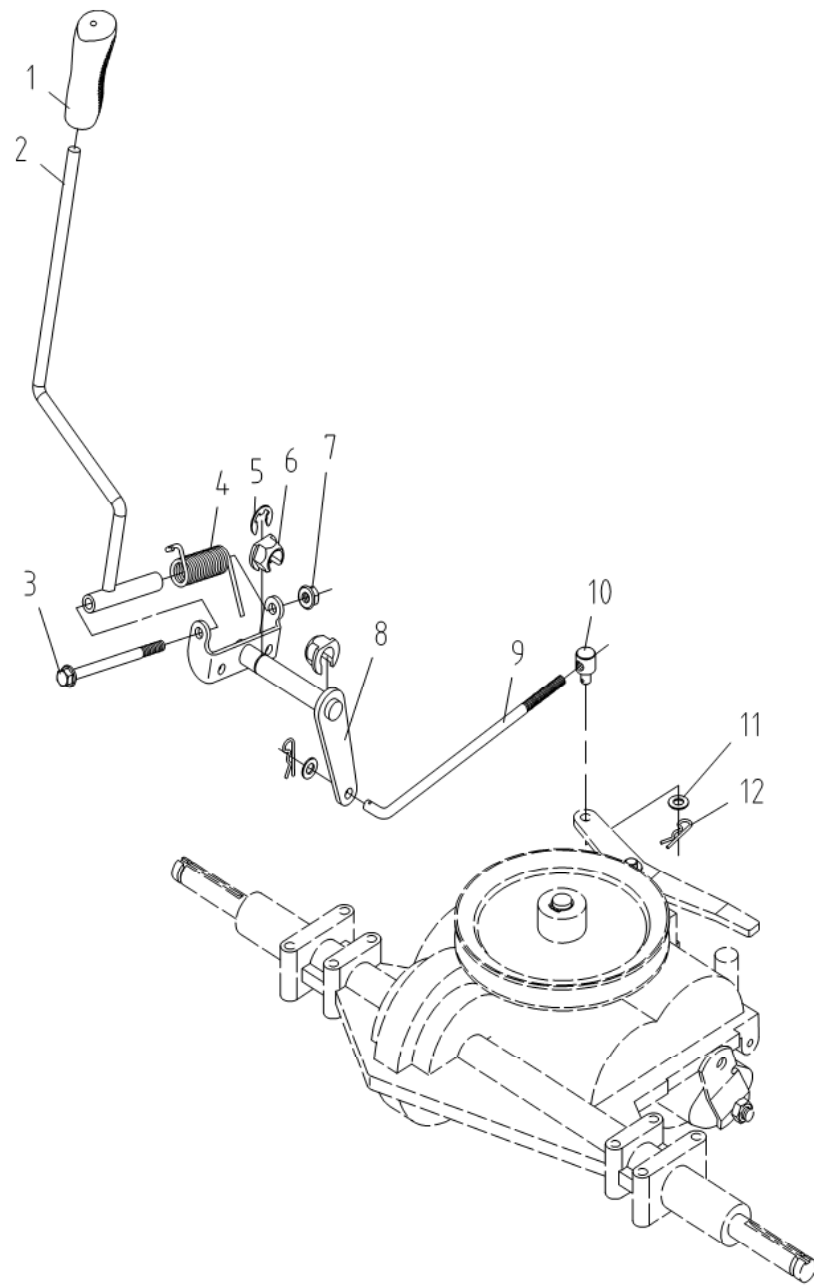
| POS | QTY | PARTNUMBER | BESKRIVELSE | DESCRIPTION |
|-----|-----|------------|---------------------|----------------------------|
| 1 | 2 | 439521 | KAPPE | HUB COVER |
| 2 | 2 | 436587 | SEEGERRING | SNAP RING 19 |
| 3 | 2 | 439522 | SKIVE 20X43X3 | WASHER 20x43x3 |
| 4 | 4 | 439523 | SKIVE | WASHER |
| 5 | 4 | 436583 | LEJE 61904-2RZ | BEARING |
| 6 | 2 | 436582 | FORHJUL | FRONT WHEEL ASSEMBLY |
| 7 | 1 | 439524 | AKSEL | LEFT STUB AXLE |
| 8 | 2 | 436590 | SKIVE M8 | WASHER |
| 9 | 4 | 439525 | BØS | BUSHING |
| 10 | 2 | 434364 | SKIVE | CLUTCH ADJUSTING WASHER |
| 11 | 2 | 439440 | FJEDERSKIVE 10 | SPRING WASHER 10 |
| 12 | 2 | 439462 | BOLT M8X16 | BOLT M8x16 |
| 13 | 2 | 439498 | DYSE | OIL INJECTION NOZZLE |
| 14 | 1 | 439526 | FRONTPLADE | FRONT AXLE |
| 15 | 1 | 439527 | FORRØR | LINER TUBE |
| 16 | 1 | 439528 | BOLT M12X1.25X60 | FLANGE BOLT M12x1.25x60 |
| 17 | 1 | 439529 | BESLAG | TURNING ARM 2 |
| 18 | 1 | 439441 | BOLT M8X45 | FLANGE BOLT M10x1.5x35 |
| 19 | 1 | 439530 | BESLAG | TURNING ARM 1 |
| 20 | 1 | 439531 | HJULGAFFEL | RIGHT STUB AXLE |
| 21 | 1 | 439444 | LÅSEMØTRIK M8 | FLANGE LOCK NUT M6 |
| 22 | 1 | 439474 | LÅSEMØTRIK M10X1.25 | FLANGE LOCK NUT M10x1.25 |



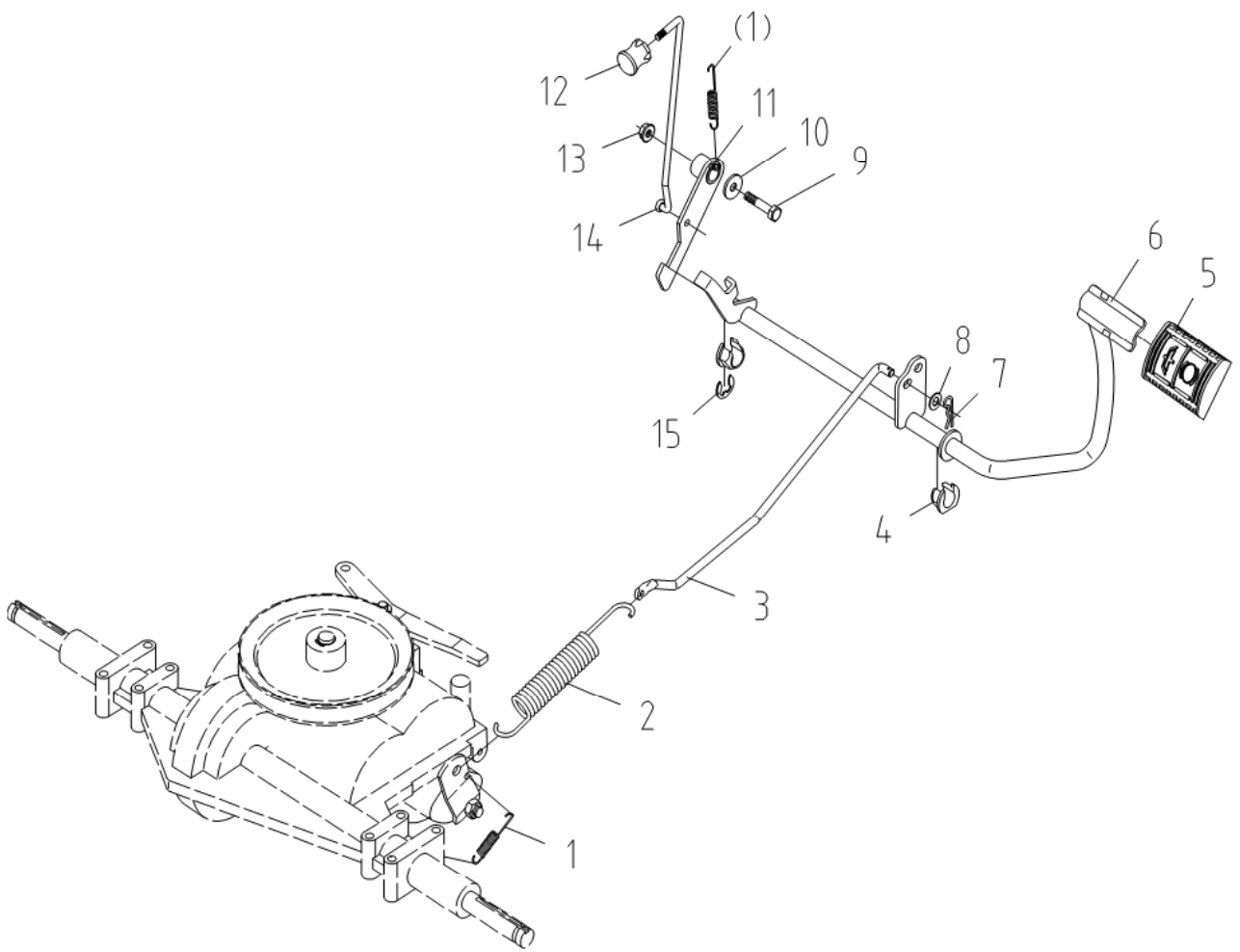
| POS | QTY | PARTNUMBER | BESKRIVELSE | DESCRIPTION |
|-----|-----|------------|--------------------|------------------------|
| 1 | 2 | 439521 | KAPPE | HUB COVER |
| 2 | 2 | 439532 | LÅSERING 12 | RETAINER RING 15 |
| 3 | 4 | 439522 | SKIVE 20X43X3 | WASHER 20x43x3 |
| 4 | 2 | 436584 | BAGHJUL | REAR WHEEL ASSEMBLY |
| 5 | 1 | 439533 | PLADE | PLATE |
| 6 | 1 | 439534 | GEARBOX | GEAR BOX |
| 7 | 5 | 439444 | LÅSEMØTRIK M8 | FLANGE LOCK NUT M6 |
| 8 | 2 | 439535 | SPLIT 4.75X7.75X60 | FLAT KEY 4.75x 4.75x60 |
| 9 | 4 | 439441 | BOLT M8X45 | FLANGE BOLT M10x1.5x35 |
| 10 | 1 | 439536 | REMHJUL | DRIVING PASSIVE WHEEL |
| 11 | 1 | 436587 | SEEGERRING | SNAP RING 19 |
| 12 | 1 | 439537 | BOLT 1/4"-28-3/4" | "BOLT 1/4"-28 -3/4" |
| 13 | 1 | 439440 | FJEDERSKIVE 10 | SPRING WASHER 10 |
| 14 | 1 | 439465 | SKIVE 10 | BIG WASHER 6 |
| 15 | 1 | 439538 | GEARDEL | GEAR SHIFT ARM |
| 16 | 1 | 439441 | BOLT M8X45 | FLANGE BOLT M10x1.5x35 |
| 17 | 1 | 439539 | FORBINDELSSESSTANG | CONNECTING PLATE |
| 18 | 2 | 436590 | SKIVE M8 | WASHER |
| 19 | 2 | 439540 | SKRUE M8X20 | SCREW M8X20 |



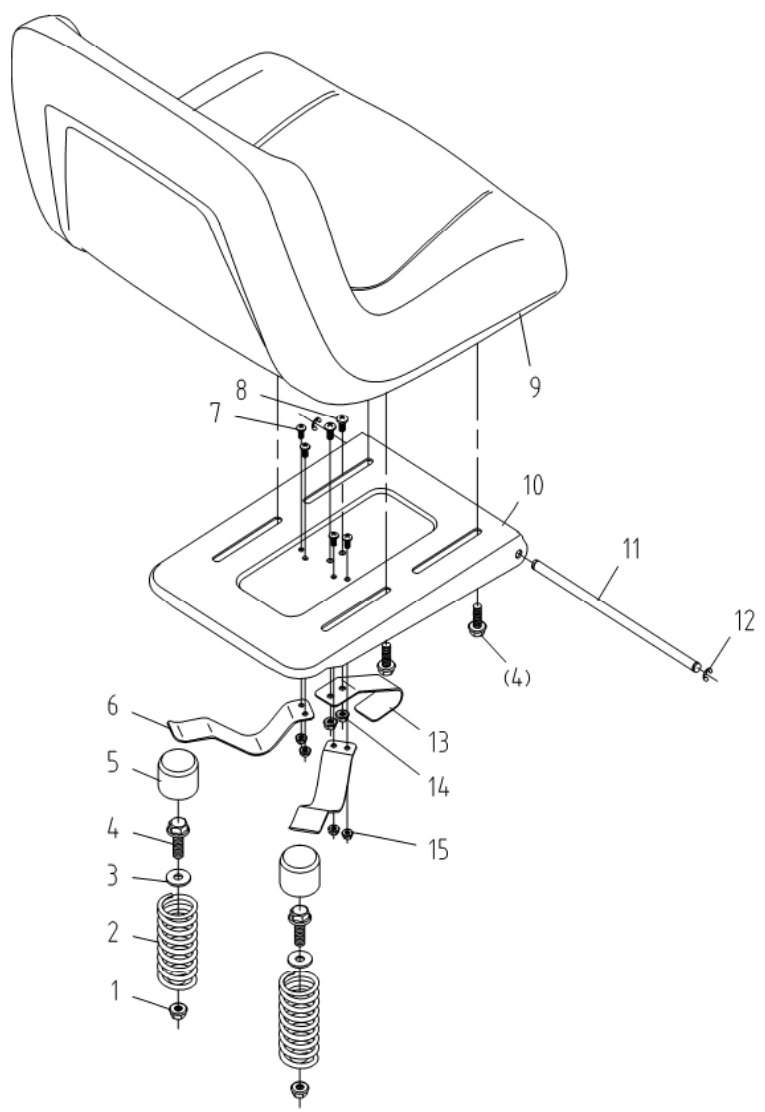
| POS | QTY | PARTNUMBER | BESKRIVELSE | DESCRIPTION |
|-----|-----|------------|-------------------------|-------------------------|
| 1 | 2 | 439441 | BOLT M8X45 | FLANGE BOLT M10×1.5×35 |
| 2 | 2 | 439541 | SKIVE 10.1X20X4 | WASHER 10.1×20×4 |
| 3 | 1 | 440875 | FORBIDELSESLIJE VENSTRE | JOINT BEARING SIJK10C L |
| 4 | 3 | 439481 | LÅSEMØTRIK M10X1.25 | LOCK NUT M10×1.25 |
| 5 | 1 | 440874 | MØTRIK Ø10-LH | HEXAGON NUT 10-LH |
| 6 | 1 | 439543 | STYRESTANG | PULL ROD |
| 7 | 2 | 440870 | FORBINDELSLEJE HØJRE | JOINT BEARING SIJK10C |
| 8 | 1 | 439544 | LÅSEMØTRIK M10 | LOCK NUT M10 |
| 9 | 1 | 439545 | FORBINDELSLED M10 | JOINT BEARING M10 |
| 10 | 3 | 439438 | LÅSEMØTRIK M8 | HEXAGON NUT M8 |
| 11 | 1 | 439546 | FORBINDELSSTANG | LINK ROD |
| 12 | 1 | 439547 | BESLAG | DOUBLE HOLE BOARD |
| 13 | 1 | 439441 | BOLT M8X45 | FLANGE BOLT M10×1.5×35 |
| 14 | 1 | 439548 | SKRUE | SCREW |
| 15 | 1 | 439549 | SPLIT 6X26 | PIN 6×26 |
| 16 | 1 | 439550 | BØS | BUSHING |
| 17 | 1 | 439551 | STYREPLADE | STEERING SECTOR GEAR |
| 18 | 1 | 439532 | LÅSERING 12 | RETAINER RING 15 |
| 19 | 1 | 439552 | BØS | BUSHING |
| 20 | 1 | 439553 | BØSNING | HEXAGON BUSHING |
| 21 | 2 | 436590 | SKIVE M16 | WASHER |
| 22 | 1 | 439554 | GEAR TANDHJUL | GEAR |
| 23 | 1 | 439555 | RATSTAMME | STEERING SHAFT |
| 24 | 1 | 439556 | BØS | HATCH BUSHING |
| 25 | 1 | 436587 | SEEGERRING | SNAP RING 19 |
| 26 | 1 | 439557 | FORBINDELSSTANG | STEERING CONNECT SHAFT |
| 27 | 2 | 439444 | LÅSEMØTRIK M6 | FLANGE LOCK NUT M6 |
| 28 | 1 | 439492 | SKRUE M6X20 | SCREW M6×20 |
| 29 | 2 | 439472 | BOLT M8X20 | BOLT M8×20 |
| 30 | 1 | 439558 | BESLAG | SQUARE HOLE BOARD |
| 31 | 4 | 439444 | LÅSEMØTRIK M6 | FLANGE LOCK NUT M6 |
| 32 | 1 | 439492 | SKRUE M6X20 | SCREW M6×20 |
| 33 | 1 | 439559 | RAT | STEERING WHEEL |
| 34 | 1 | 439560 | DÆKSEL FOR RAT | STEERING WHEEL CAP |



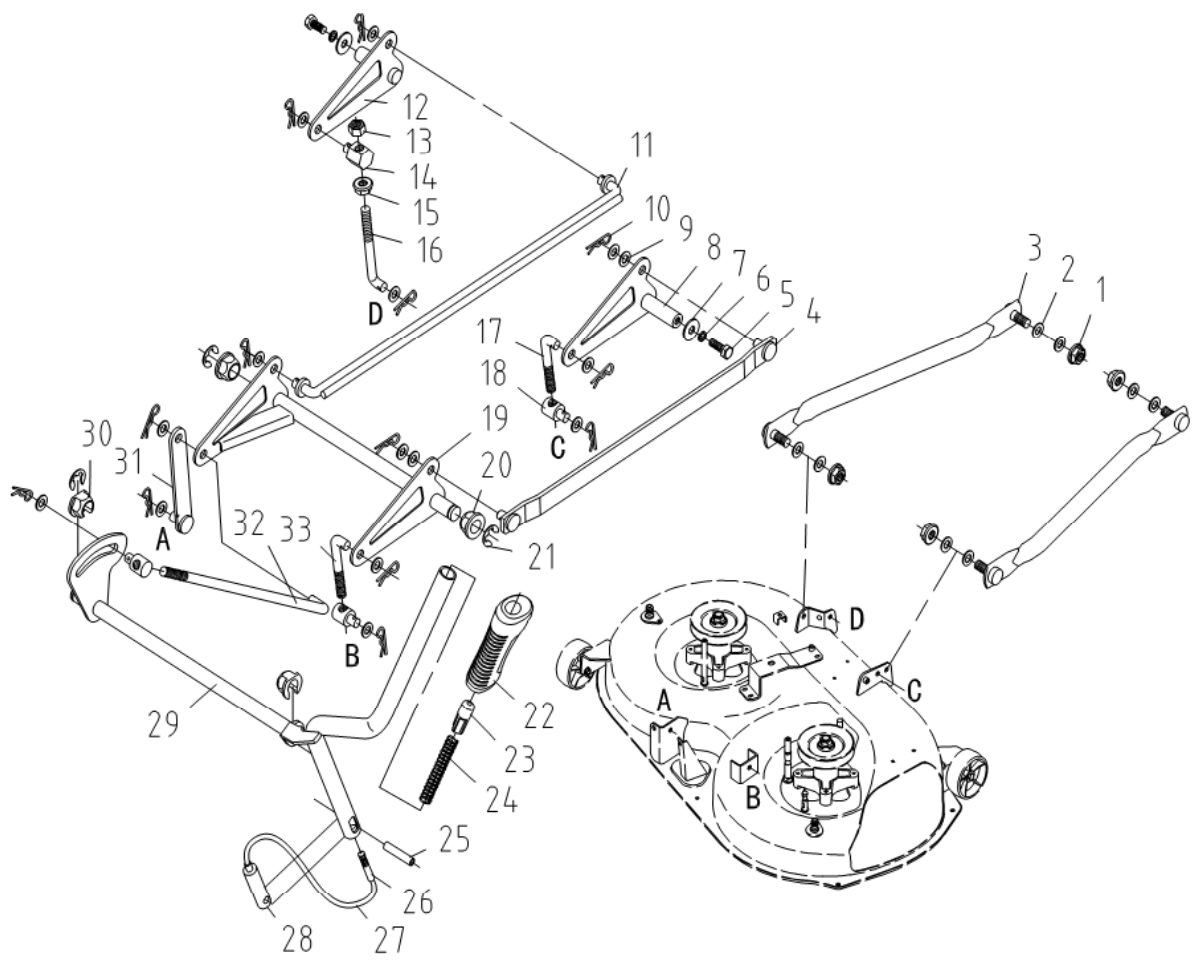
| POS | QTY | PARTNUMBER | BESKRIVELSE | DESCRIPTION |
|-----|-----|------------|---------------|------------------------|
| 1 | 1 | 436574 | REMSKIVE | TENSION PULLEY |
| 2 | 1 | 439561 | GEARSTANG | SHIFT LEVER |
| 3 | 1 | 439441 | BOLT M8X45 | FLANGE BOLT M10×1.5×35 |
| 4 | 1 | 439562 | FJEDER 3X18 | TORSION SPRING 3×18 |
| 5 | 1 | 439532 | LÅSERING 12 | RETAINER RING 15 |
| 6 | 2 | 439556 | BØS | HATCH BUSHING |
| 7 | 1 | 439444 | LÅSEMØTRIK M8 | FLANGE LOCK NUT M6 |
| 8 | 1 | 439563 | BESLAG | SHIFT AXLE |
| 9 | 1 | 439564 | STANG | SHIFT ROD |
| 10 | 1 | 439485 | GEARDEL | GEAR SHIFT PIN |
| 11 | 2 | 436590 | SKIVE M8 | WASHER |
| 12 | 2 | 439478 | FJEDERSPLIT | SPRING PIN |



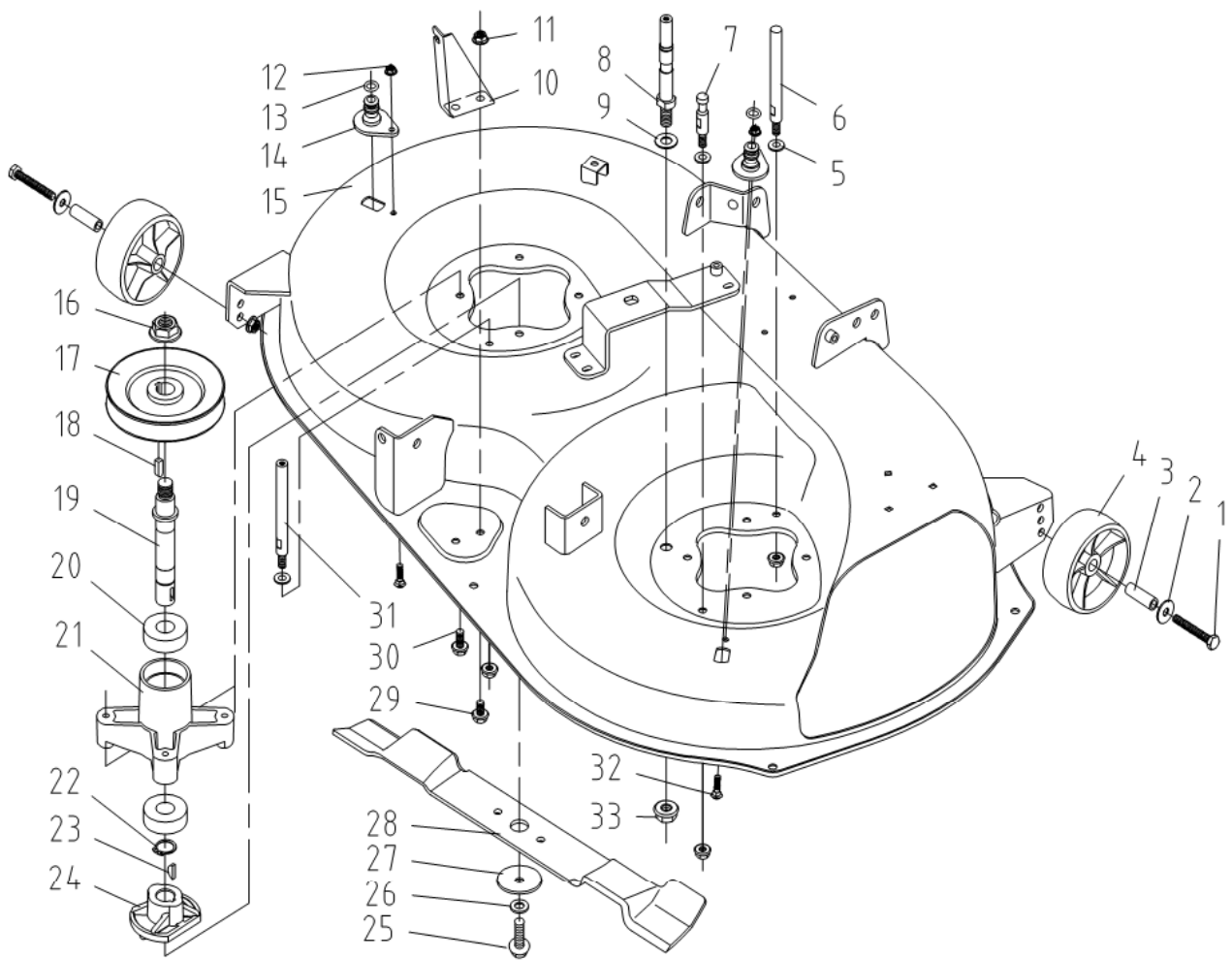
| POS | QTY | PARTNUMBER | BESKRIVELSE | DESCRIPTION |
|-----|-----|------------|---------------|--------------------------|
| 1 | 2 | 439565 | RETURFJEDER | BRAKE SHOE RETURN SPRING |
| 2 | 1 | 436585 | BREMSEFJEDER | BRAKE SPRING |
| 3 | 1 | 439566 | BREMSESTANG | BRAKE ROD |
| 4 | 2 | 439556 | BØS | HATCH BUSHING |
| 5 | 1 | 439567 | PEDAL | PEDAL |
| 6 | 1 | 439568 | BREMSEARM | BRAKE LEVER |
| 7 | 1 | 439478 | FJEDERSPLIT | SPRING PIN |
| 8 | 1 | 436590 | SKIVE M8 | WASHER |
| 9 | 1 | 439441 | BOLT M8X45 | FLANGE BOLT M10×1.5×35 |
| 10 | 1 | 439465 | SKIVE 10 | BIG WASHER 6 |
| 11 | 1 | 439569 | BESLAG | PARKING HOOK |
| 12 | 1 | 439570 | HÅNDTAGSKNOP | PARKING HANDLE |
| 13 | 1 | 439444 | LÅSEMØTRIK M8 | FLANGE LOCK NUT M6 |
| 14 | 1 | 439571 | STANG | PARKING ROD |
| 15 | 1 | 439532 | LÅSERING 12 | RETAINER RING 15 |



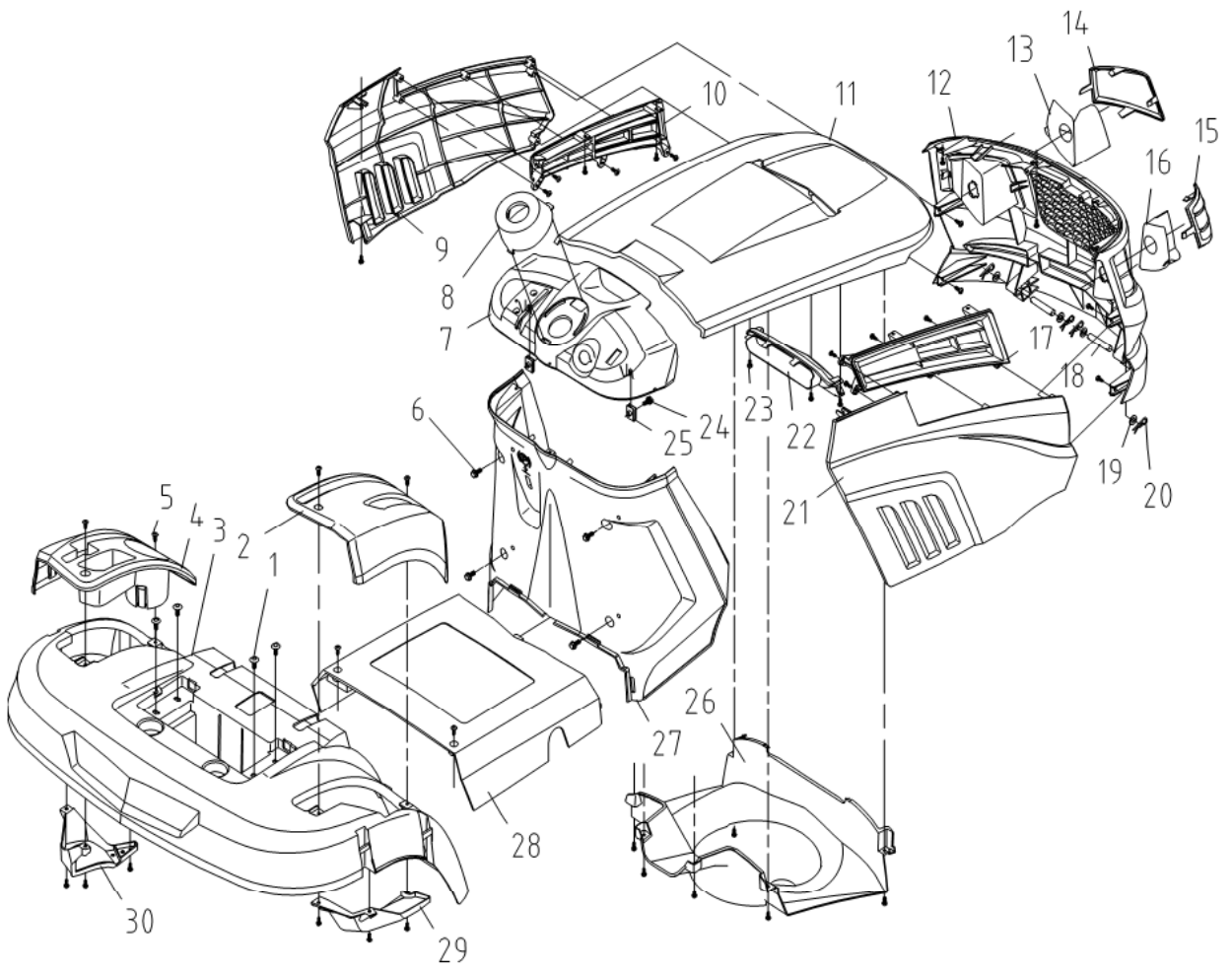
| POS | QTY | PARTNUMBER | BESKRIVELSE | DESCRIPTION |
|-----|-----|------------|---------------|------------------------|
| 1 | 2 | 439444 | LÅSEMØTRIK M8 | FLANGE LOCK NUT M6 |
| 2 | 2 | 439572 | FJEDER | SEAT SPRING |
| 3 | 2 | 439465 | SKIVE 10 | BIG WASHER 6 |
| 4 | 6 | 439441 | BOLT M8X45 | FLANGE BOLT M10×1.5×35 |
| 5 | 2 | 439573 | PROP | SPRING CAP |
| 6 | 2 | 439574 | BESLAG | SPRING FLAKE |
| 7 | 4 | 439437 | SKRUE M4X16 | SCREW M4×16 |
| 8 | 2 | 439437 | SKRUE M4X16 | SCREW M4×16 |
| 9 | 1 | 439575 | SÆDE | SEAT |
| 10 | 1 | 439576 | BESLAG | SEAT BRACKET |
| 11 | 1 | 439577 | STANG | PIN |
| 12 | 2 | 439532 | LÅSERING 12 | RETAINER RING 15 |
| 13 | 1 | 439578 | BESLAG | SEAT SWITCH CONTACT |
| 14 | 2 | 439444 | LÅSEMØTRIK M8 | FLANGE LOCK NUT M6 |
| 15 | 4 | 439444 | LÅSEMØTRIK M8 | FLANGE LOCK NUT M6 |



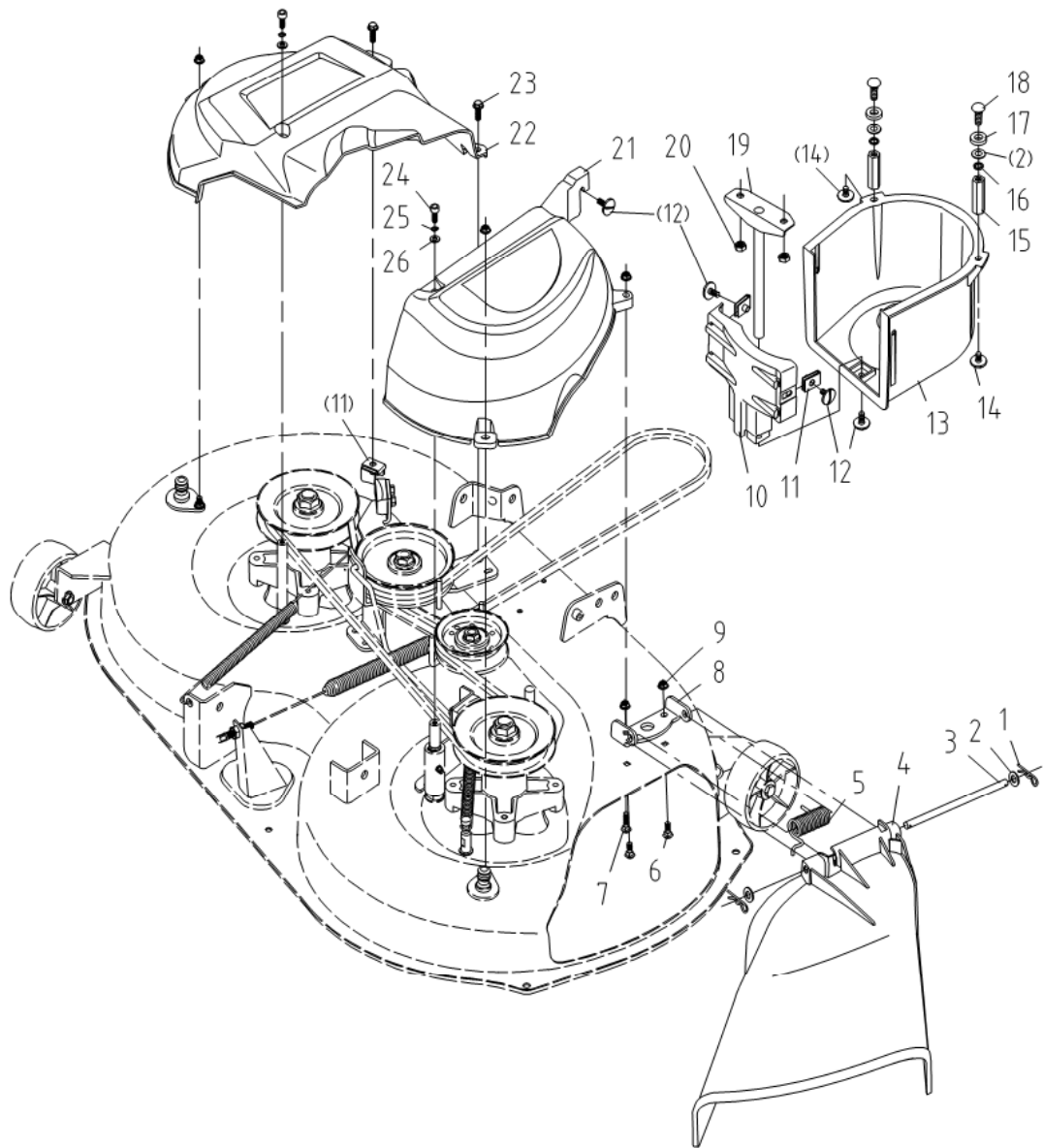
| POS | QTY | PARTNUMBER | BESKRIVELSE | DESCRIPTION |
|-----|-----|------------|---------------------|--------------------------|
| 1 | 4 | 439474 | LÅSEMØTRIK M10X1.25 | FLANGE LOCK NUT M10×1.25 |
| 2 | 8 | 439579 | SKIVE 10.2X19 | WASHER 10.2×19 |
| 3 | 2 | 439580 | STANG | FRONT ROD |
| 4 | 1 | 439581 | STANG | PUSHING ROD R |
| 5 | 2 | 439462 | BOLT M8X16 | BOLT M8×16 |
| 6 | 2 | 439440 | FJEDERSKIVE 10 | SPRING WASHER 10 |
| 7 | 2 | 439465 | SKIVE 10 | BIG WASHER 6 |
| 8 | 1 | 439584 | BESLAG | FRONT ARM R |
| 9 | 15 | 436590 | SKIVE M8 | WASHER |
| 10 | 13 | 439478 | FJEDERSPLIT | SPRING PIN |
| 11 | 1 | 439589 | STANG | PUSHING ROD L |
| 12 | 1 | 439590 | BESLAG | FRONT ARM L |
| 13 | 1 | 439481 | LÅSEMØTRIK M10X1.25 | LOCK NUT M10×1.25 |
| 14 | 1 | 439591 | JUSTERBOLT | ADJUSTING PIN |
| 15 | 1 | 439488 | MØTRIK | " FLANGE NUT M10×1.25 |
| 16 | 1 | 439592 | JUSTERARM | ADJUSTING ROD FRONT L |
| 17 | 1 | 439593 | JUSTERARM | ADJUSTING ROD FRONT R |
| 18 | 3 | 439594 | JUSTERMØTRIK | ADJUSTING PIN |
| 19 | 1 | 439595 | BESLAG | REAR ARM |
| 20 | 2 | 439553 | BØSNING | HEXAGON BUSHING |
| 21 | 3 | 439532 | LÅSERING 12 | RETAINER RING 15 |
| 22 | 1 | 439596 | GREB | LIFT HANDLE |
| 23 | 1 | 439597 | KNAP | BUTTON |
| 24 | 1 | 439598 | FJEDER | PUSHING SPRING |
| 25 | 1 | 439549 | SPLIT 6X26 | PIN 6×26 |
| 26 | 1 | 439599 | BOLT | BOLT |
| 27 | 1 | 439600 | FJEDERARM | SPRING ROD |
| 28 | 1 | 439601 | STANG | PIN |
| 29 | 1 | 439602 | HÅNDTAG | LEVER |
| 30 | 2 | 439556 | BØS | HATCH BUSHING |
| 31 | 1 | 439603 | BESLAG | ROD L |
| 32 | 1 | 439604 | STANG | LIFT ROD |
| 33 | 1 | 439605 | STANG | REAR ADJUSTING ROD |



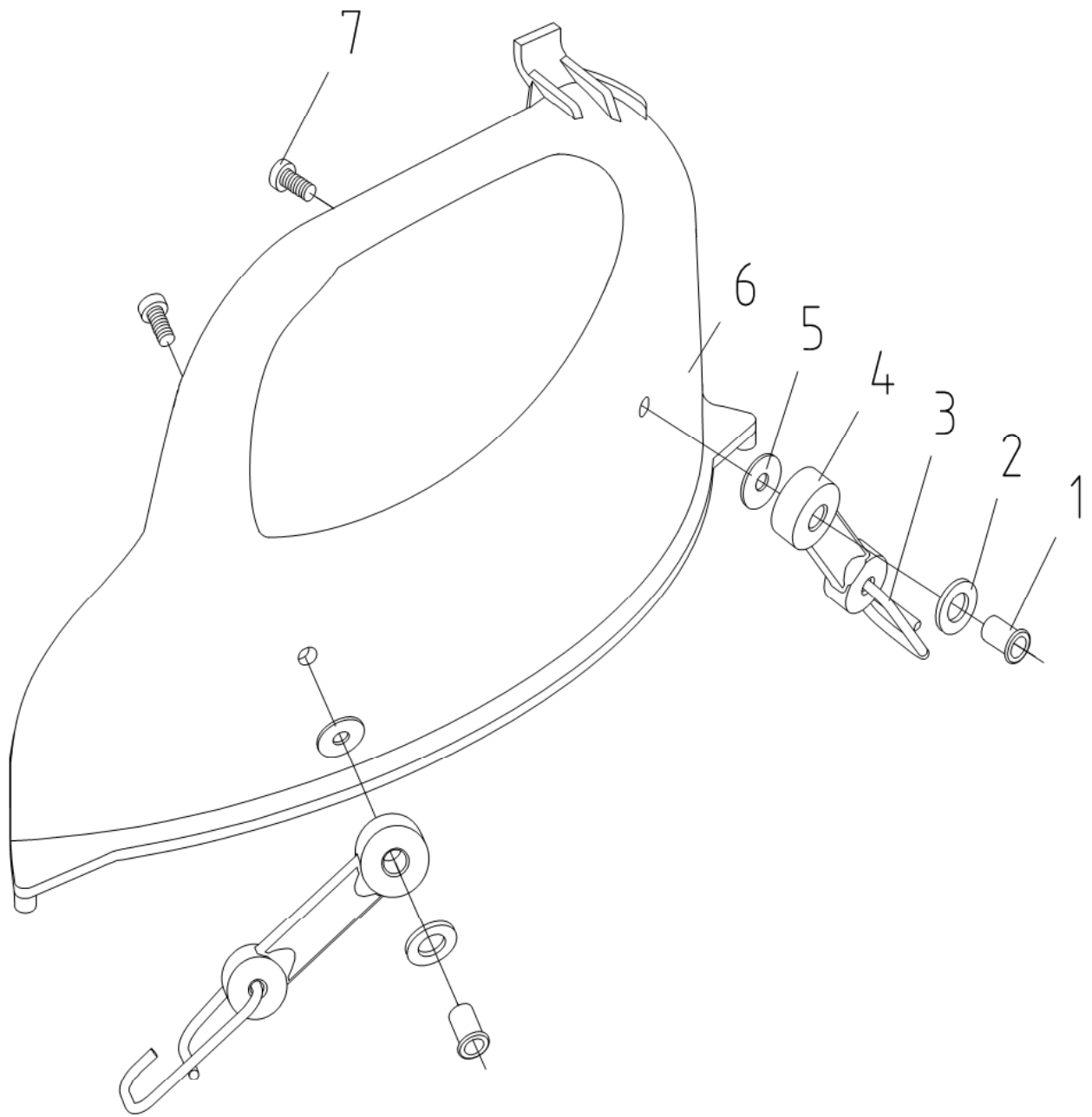
| POS | QTY | PARTNUMBER | BESKRIVELSE | DESCRIPTION |
|-----|-----|------------|---------------------|--------------------------|
| 1 | 2 | 439441 | BOLT M8X45 | FLANGE BOLT M10×1.5×35 |
| 2 | 2 | 436590 | SKIVE M8 | WASHER |
| 3 | 2 | 439606 | RØR | PIVOT TUBE |
| 4 | 2 | 439607 | HJUL | WHEEL |
| 5 | 3 | 436590 | SKIVE M8 | WASHER |
| 6 | 1 | 439608 | STUDS | STUD |
| 7 | 1 | 439609 | BOLT | POST |
| 8 | 1 | 439610 | BOLT | PIVOT FOR RIGHT BRAKE |
| 9 | 1 | 436590 | SKIVE M8 | WASHER |
| 10 | 1 | 439611 | BESLAG | CABLE BRACKET |
| 11 | 7 | 439444 | LÅSEMØTRIK M8 | FLANGE LOCK NUT M6 |
| 12 | 2 | 439444 | LÅSEMØTRIK M8 | FLANGE LOCK NUT M6 |
| 13 | 2 | 439612 | SKIVE 11.2X2.65 | O RING 11.2×2.65 |
| 14 | 2 | 439613 | DYSE | WATER NOZZLE |
| 15 | 1 | 439614 | KLIPPEBORD | DECK |
| 16 | 2 | 439615 | MØTRIK | NUT FOR BLADE AXLE |
| 17 | 2 | 439616 | REMSKIVE | PULLEY |
| 18 | 2 | 439617 | NOT | FLAT KEY C6×18 |
| 19 | 2 | 439618 | KNIVAKSEL | BLADE SPINDLE |
| 20 | 4 | 436583 | LEJE 61904-2RZ | BEARING |
| 21 | 2 | 439619 | HOLDER | BLADE SEAT |
| 22 | 2 | 436587 | SEEGERRING | SNAP RING 19 |
| 23 | 2 | 409860 | NOT 4X16 | HALFMOON KEY |
| 24 | 2 | 436588 | KNIVHOLDER | SLEEVE |
| 25 | 2 | 436589 | KNIVBOLT | BOLT |
| 26 | 2 | 436590 | SKIVE M8 | WASHER |
| 27 | 2 | 436591 | SKIVE | DISH WASHER |
| 28 | 2 | 436592 | KNIV | BLADE |
| 29 | 2 | 439441 | BOLT M8X45 | FLANGE BOLT M10×1.5×35 |
| 30 | 8 | 439620 | BOLT M8X25 | FLANGE BOLT M8×25 |
| 31 | 1 | 439621 | STUDS | STUD SCREW |
| 32 | 2 | 439472 | BOLT M8X20 | BOLT M8×20 |
| 33 | 1 | 439474 | LÅSEMØTRIK M10X1.25 | FLANGE LOCK NUT M10×1.25 |



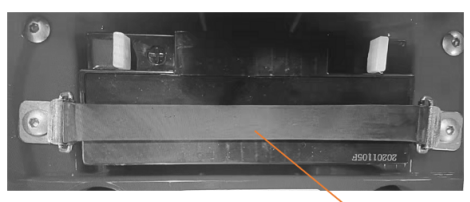
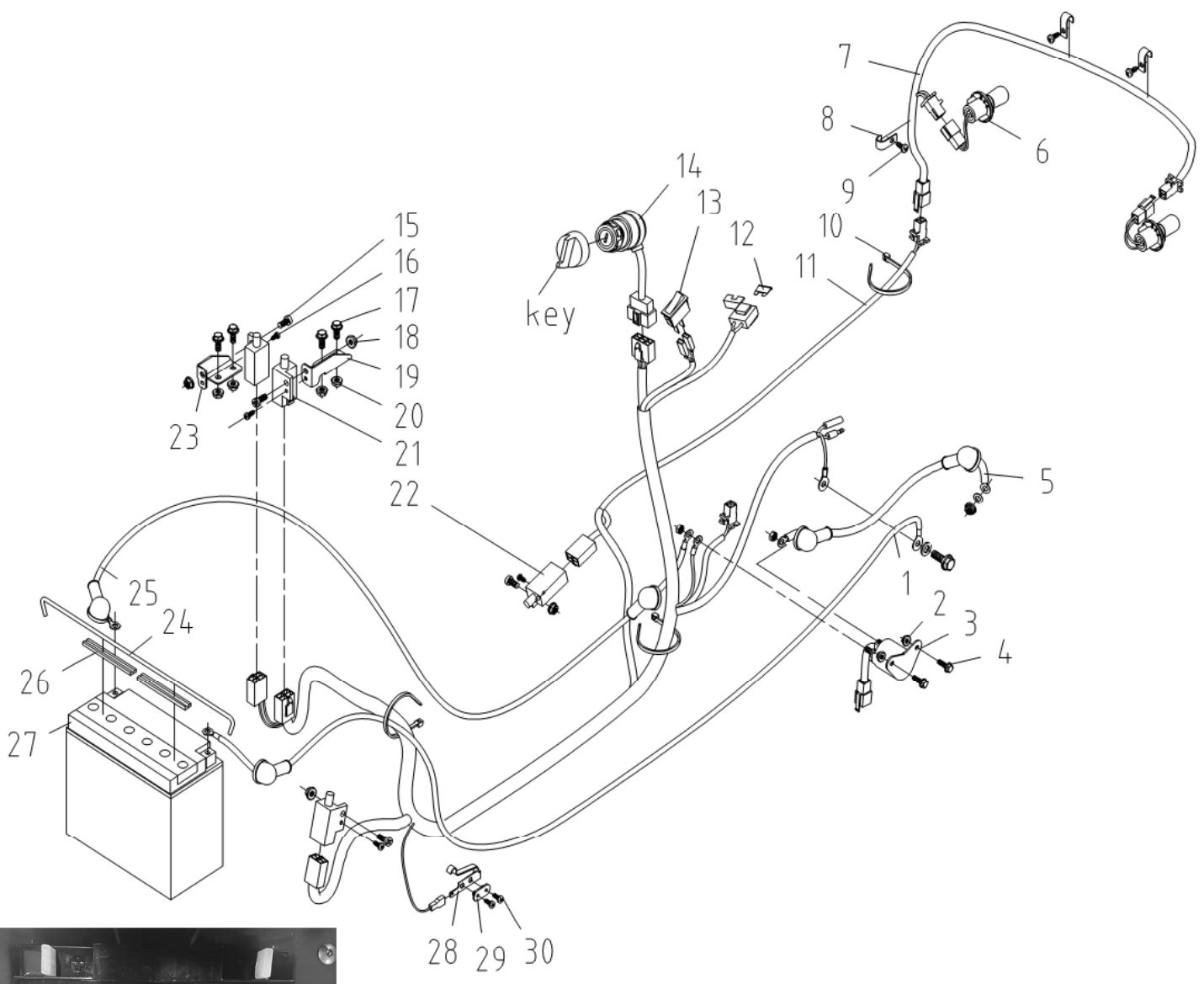
| POS | QTY | PARTNUMBER | BESKRIVELSE | DESCRIPTION |
|-----|-----|------------|----------------|-------------------------------|
| 1 | 4 | 439622 | SKRUE M6X16 | SCREW M6×16 |
| 2 | 1 | 439623 | DÆKSEL | LIFT COVER |
| 3 | 1 | 439624 | COVER | REAR COVER |
| 4 | 1 | 439625 | DÆKSEL | SHIFT COVER |
| 5 | 45 | 439626 | SKRUE ST4.8X16 | SCREW ST4.8×16 |
| 6 | 4 | 439441 | BOLT M8X45 | FLANGE BOLT M10×1.5×35 |
| 7 | 1 | 439627 | PANEL | METER FACE |
| 8 | 1 | 439628 | STYRRØR | STEERING SHAFT CAP |
| 9 | 1 | 439629 | COVER | LEFT COVER |
| 10 | 1 | 439630 | DÆKSEL | LEFT WINDOW |
| 11 | 1 | 439631 | MOTORDÆKSEL | ENGINE COVER |
| 12 | 1 | 439632 | FRONTSKÆRM | FRONT FACE |
| 13 | 1 | 439633 | REFLEKS | REFLECTOR L |
| 14 | 1 | 439634 | LYGTEGLAS | LIGHT COVER L |
| 15 | 1 | 439635 | LYGTEGLAS | LIGHT COVER R |
| 16 | 1 | 439636 | REFLEKS | REFLECTOR R |
| 17 | 1 | 439637 | DÆKSEL | RIGHT WINDOW |
| 18 | 2 | 439638 | STIFT 10X60 | PIN 10×60 |
| 19 | 4 | 436590 | SKIVE M8 | WASHER |
| 20 | 4 | 439478 | FJEDERSPLIT | SPRING PIN |
| 21 | 1 | 439639 | COVER | RIGHT COVER |
| 22 | 1 | 439640 | LUFTINDTAG | AIR INPUT OPENING |
| 23 | 5 | 439626 | SKRUE ST4.8X16 | SCREW ST4.8×16 |
| 24 | 2 | 439441 | BOLT M8X45 | FLANGE BOLT M10×1.5×35 |
| 25 | 2 | 439509 | MØTRIK | BUCKLE NUT M6 |
| 26 | 1 | 439641 | DÆKSEL | AIR DIRECTION BARREL |
| 27 | 1 | 439642 | PLADE | COVER AFTER STEERING SHAFT |
| 28 | 1 | 439643 | MELLEMLADE | MIDST COVER |
| 29 | 1 | 439644 | DÆKSEL | RIGHT PLATE |
| 30 | 1 | 439645 | DÆKSEL | LEFT PLATE |



| POS | QTY | PARTNUMBER | BESKRIVELSE | DESCRIPTION |
|-----|-----|------------|-----------------|------------------------|
| 1 | 2 | 439478 | FJEDERSPLIT | SPRING PIN |
| 2 | 4 | 436590 | SKIVE M8 | WASHER |
| 3 | 1 | 439646 | STIFT 8X163 | PIN 8×163 |
| 4 | 1 | 439647 | UDKASTER | DISCHARGE GUARD |
| 5 | 1 | 439562 | FJEDER 3X18 | TORSION SPRING 3×18 |
| 6 | 2 | 439472 | BOLT M8X20 | BOLT M8×20 |
| 7 | 1 | 439472 | BOLT M8X20 | BOLT M8×20 |
| 8 | 1 | 439648 | HÆNGSEL | HINGE |
| 9 | 5 | 439444 | LÅSEMØTRIK M8 | FLANGE LOCK NUT M6 |
| 10 | 1 | 439649 | SKJOLD | REAR SHIELD |
| 11 | 3 | 439509 | MØTRIK | BUCKLE NUT M6 |
| 12 | 4 | 439622 | SKRUE M6X16 | SCREW M6×16 |
| 13 | 1 | 439650 | SKJOLD | FRONT SHIELD |
| 14 | 2 | 439622 | SKRUE M6X16 | SCREW M6×16 |
| 15 | 2 | 439651 | STANG | HEXAGONAL ROD |
| 16 | 2 | 439440 | FJEDERSKIVE 10 | SPRING WASHER 10 |
| 17 | 2 | 439541 | SKIVE 10.1X20X4 | WASHER 10.1×20×4 |
| 18 | 2 | 439472 | BOLT M8X20 | BOLT M8×20 |
| 19 | 1 | 439652 | BESLAG | BRACKET |
| 20 | 2 | 439544 | LÅSEMØTRIK M10 | LOCK NUT M10 |
| 21 | 1 | 439653 | SKJOLD | RIGHT SHIELD |
| 22 | 1 | 439654 | SKJOLD | LEFT SHIELD |
| 23 | 2 | 439441 | BOLT M8X45 | FLANGE BOLT M10×1.5×35 |
| 24 | 2 | 439492 | SKRUE M6X20 | SCREW M6×20 |
| 25 | 2 | 439440 | FJEDERSKIVE 10 | SPRING WASHER 10 |
| 26 | 2 | 439465 | SKIVE 10 | BIG WASHER 6 |



| POS | QTY | PARTNUMBER | BESKRIVELSE | DESCRIPTION |
|-----|-----|------------|----------------|-------------|
| 1 | 2 | 439655 | MØTRIK M6X13.5 | NUT M6×13.5 |
| 2 | 2 | 436590 | SKIVE M8 | WASHER |
| 3 | 2 | 439656 | KROG | HOOK |
| 4 | 2 | 439657 | GUMMIBØS | BELT |
| 5 | 2 | 439658 | SKIVE 6 | WASHER 6 |
| 6 | 1 | 436607 | BIOKLIP SKÆRM | MULCH COVER |
| 7 | 2 | 439437 | SKRUE M4X16 | SCREW M4×16 |



31

| POS | QTY | PARTNUMBER | BESKRIVELSE | DESCRIPTION |
|-----|-----|------------|---------------------------------|-------------------------------|
| 1 | 1 | 439659 | KABEL | GROUND CABLE |
| 2 | 2 | 439444 | LÅSEMØTRIK M6 | FLANGE LOCK NUT M6 |
| 3 | 1 | 439660 | RELÆ | STAR RELAY |
| 4 | 2 | 439441 | BOLT M8X45 | FLANGE BOLT M10×1.5×35 |
| 5 | 1 | 439661 | LEDNING | POWER CABLE |
| 6 | 2 | 439662 | PÆRE | FRONT LIGHT |
| 7 | 1 | 439663 | LEDNING | "LIGHT WIRING |
| 8 | 4 | 415950 | BESLAG | CORD SPLINT |
| 9 | 4 | 439626 | SKRUE ST4.8X16 | SCREW ST4.8×16 |
| 10 | 20 | 439665 | STRIPS | TIE BAND |
| 11 | 1 | 439701 | LEDNINGSNET | WIRING |
| 5 | 1 | 439661 | LEDNING | POWER CABLE |
| 12 | 1 | 436594 | SIKRING | FUSE |
| 13 | 1 | 436596 | KONTAKT | WIRING SWITCH |
| 14 | 1 | 436597 | KONTAKT INKL. NØGLE | ROTARY SWITCH INCL. KEY |
| 15 | 4 | 439437 | BOLT M6X16 | SCREW M6X16 |
| 16 | 4 | 439626 | SKRUE ST4.8X16 | SCREW ST4.8×16 |
| 17 | 4 | 439441 | BOLT M8X45 | FLANGE BOLT M10×1.5×35 |
| 18 | 4 | 439468 | MØTRIK M8 | HEXAGON NUT M8 |
| 19 | 1 | 439669 | BESLAG | "SWITCH BRACKET R" |
| 20 | 4 | 439444 | LÅSEMØTRIK M6 | FLANGE LOCK NUT M6 |
| 21 | 2 | 436598 | KONTAKT | DOUBLE NORMALLY CLOSED SWITCH |
| 22 | 2 | 436599 | TÆND/SLUK KONTAKT | OPEN CLOSE SWITCH |
| 23 | 1 | 439670 | BESLAG | "SWITCH BRACKET L" |
| 24 | 1 | 439671 | STANG | BATTERY BOLT |
| 25 | 1 | 439672 | LEDNING | BATTERY CABLE |
| 26 | 2 | 439673 | GUMMILISTE | ROBBER PLATE |
| 27 | 1 | 436600 | BATTERI 12V, 18AH | BATTERY |
| 28 | 1 | 439704 | KONTAKTARM | SWITCH CONTACT CHIP |
| 29 | 1 | 439675 | BESKYTTELSE/ISOLERING | INSULATING STRIP |
| 30 | 1 | 439441 | BOLT M8X45 | FLANGE BOLT M10×1.5×35 |
| 31 | 1 | 439705 | KLEMMPLADE | CLAMP |
| 32 | 2 | 439626 | SKRUE ST4.8X16 | SCREW ST4.8×16 |
| 33 | 2 | 442937 | BOLT BATTERI LEDNING | |
| 34 | 2 | 442938 | MØTRIK BATTERI LEDNING | |
| 27 | 1 | 456074 | BATTERI MED GUMMISTROP 12V/18AH | BATTERY W/RUBBER BAND |
| 28 | 1 | 439674 | KONTAKT | SWITCH CONTACT CHIP |
| 29 | 1 | 439675 | BESKYTTELSE/ISOLERING | INSULATING STRIP |
| 30 | 2 | 439626 | SKRUE ST4.8X16 | SCREW ST4.8×16 |
| 31 | 1 | 456073 | GUMMISTROP TIL BATTERI | RUBBER BAND FOR BATTERY (SET) |