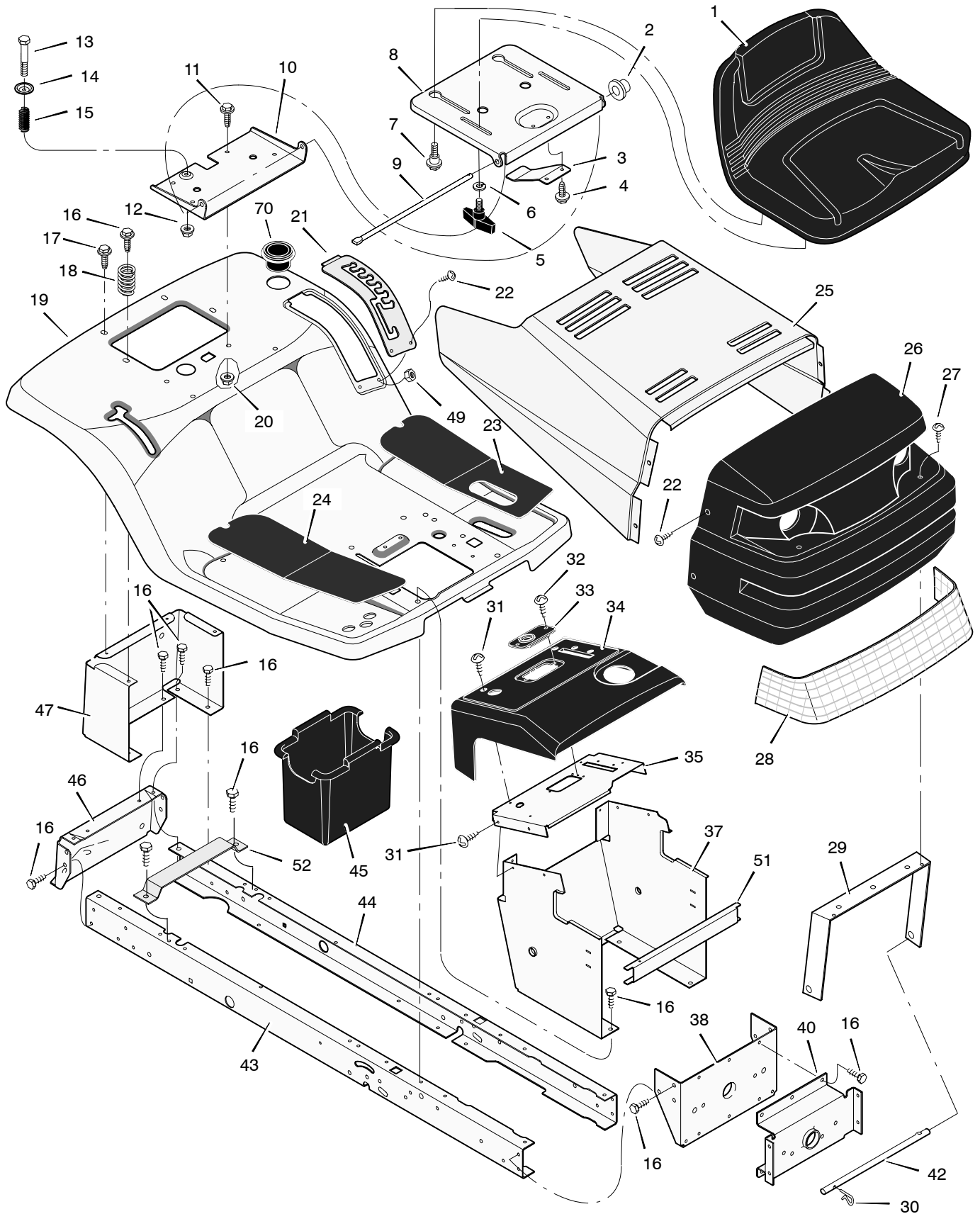


MODEL 405011x52A

REPAIR PARTS CHASSIS & HOOD



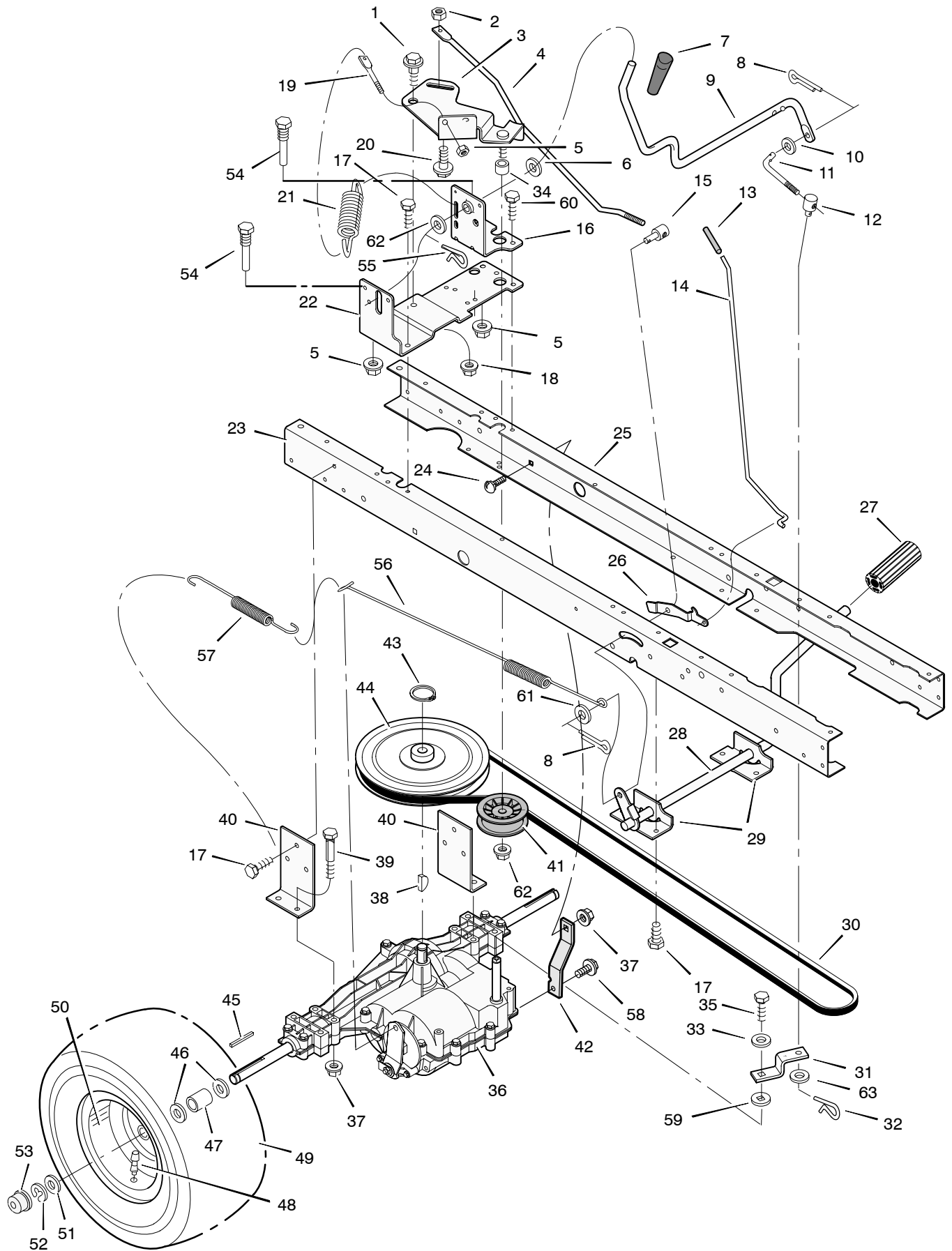
MODEL 405011x52A

REPAIR PARTS CHASSIS & HOOD

Key No.	Part No.	Description	Key No.	Part No.	Description
1	690566	Seat	27	26x239	Screw
2	028x23	Cap, Push On	28	092334	Lens
3	094057	Spring	29	092448	Brace, Grille
4	26x229	Screw	30	0031x4	Pin, Hair
5	1001054	Bolt, Wing	31	26x270	Screw
6	017x47	Washer	32	26x238	Screw
7	009x56	Bolt, Shoulder	33	094214	Bearing, Steering
8	094154E701	Support, Seat	34	094218E717	Dash
9	094156 Z	Rod, Pivot	35	094211E700	Plate, Dash
10	1001648E700	Bracket, Pivot	36	093007E701	Panel, Access
11	001x45	Bolt	37	095323E717	Support, Dash
12	015x89	Nut	38	1001270E701	Bracket, Rear Hanger
13	009x55	Bolt, Shoulder	40	094007E701	Axle, Hanger
14	094155 Z	Washer	42	092332 Z	Rod, Pivot
15	164x31	Spring	43	1001928E701	Frame, Right
16	26x249	Screw	44	1001927E701	Frame, Left
17	26x263	Screw	45	690424	Container, Battery
18	164x30	Spring	46	1001002E701	Plate, Hitch
19	1001987E013	Deck, Seat	47	690434E701	Panel, Rear
20	015x88	Nut	49	015x81	Nut
21	094829E701	Plate, Index	51	094215E700	Channel
23	094999	Mat, Left	52	690482E701	Support, Battery
24	094998	Mat, Right	70	1001542	Holder, Cup
25	092333E013	Hood	--	F-050742L	Instruction Book & Parts List
26	092350E717	Grille Assembly (Includes Lens)			

MODEL 405011x52A

REPAIR PARTS MOTION DRIVE



MODEL 405011x52A

REPAIR PARTS MOTION DRIVE

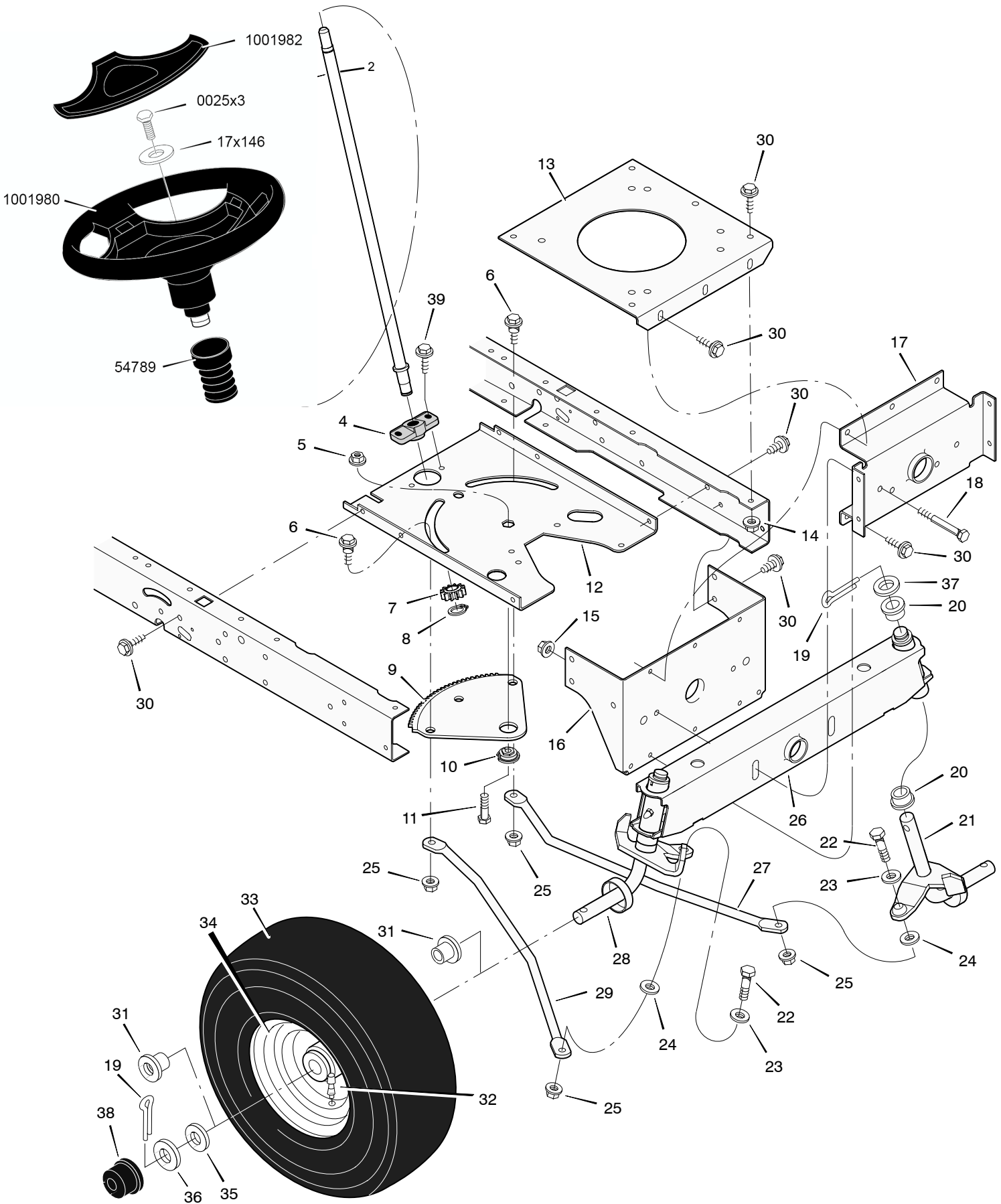
Key No.	Part No.	Description	Key No.	Part No.	Description
1	009x39	Bolt, Shoulder	33	017x38	Washer
2	015x89	Nut, Hex	34	690369	Spacer
3	690173E701	Arm, Idler	35	06x105	Bolt
4	094041 Z	Rod, Clutch	36	--- ** ---	Transaxle
5	015x79	Nut	37	015x88	Nut
6	17x102	Washer	38	020697	Key, Woodruff
7	092697	Grip	39	01x155	Bolt
8	030x20	Pin, Cotter	40	094008E701	Bracket, Transaxle
9	094043 Z	Lever, Shift	41	690409	Pulley
10	017x47	Washer	42	094433	Bracket, Transaxle Support
11	094044 Z	Link, Shift	43	0011x7	Ring Retainer
12	021920 Z	Nut, Adjuster	44	095094	Pulley, Drive
13	091079	Grip	45	021553	Key, Square
14	1001271 Z	Rod, Parking Brake	46	17x160	Washer
15	094815 Z	Nut, Adjuster	47	1401103 Z	Spacer, Transaxle
16	1001303 Z	Bracket, Shift Pivot	48	024373	Stem, Valve
17	26x249	Screw	49	091923	Tire *
18	015x84	Nut	--	407049	Tube
19	094042 Z	Mount, Stud Spring	50	0 92288-601	Wheel & Tire Assembly
20	009x54	Bolt, Shoulder	51	17x195	Washer
21	165x116	Spring, Extension	52	0011x3	E-Ring
22	1001978E701	Bracket, Right Shifter	53	094618	Hub Cap
23	1001928E701	Frame, Right	54	093349	Guide, Belt
24	002x53	Bolt, Carriage	55	0031x4	Pin, Hair
25	1001927E701	Frame, Left	56	165x115	Spring, Extension
26	094045 Z	Latch, Parking Brake	57	165x92	Spring, Extension
27	021544	Pedal	58	26x216	Screw
28	094038E700	Lever, Brake/Clutch	59	17x148	Washer
29	1001117E701	Bracket, Pedal	60	26x267	Screw
30	037x87	Belt, Motion Drive	61	17x169	Washer
31	094031 Z	Yoke, Shift	62	17x165	Washer
32	0031x6	Pin, Hair	63	017x53	Washer

* When you order a tire, make sure to give the brand name of the tire so that the tread pattern on the tire will match.

** For Replacement Parts see the Transaxle manufacturer.

MODEL 405011x52A

REPAIR PARTS STEERING



MODEL 405011x52A

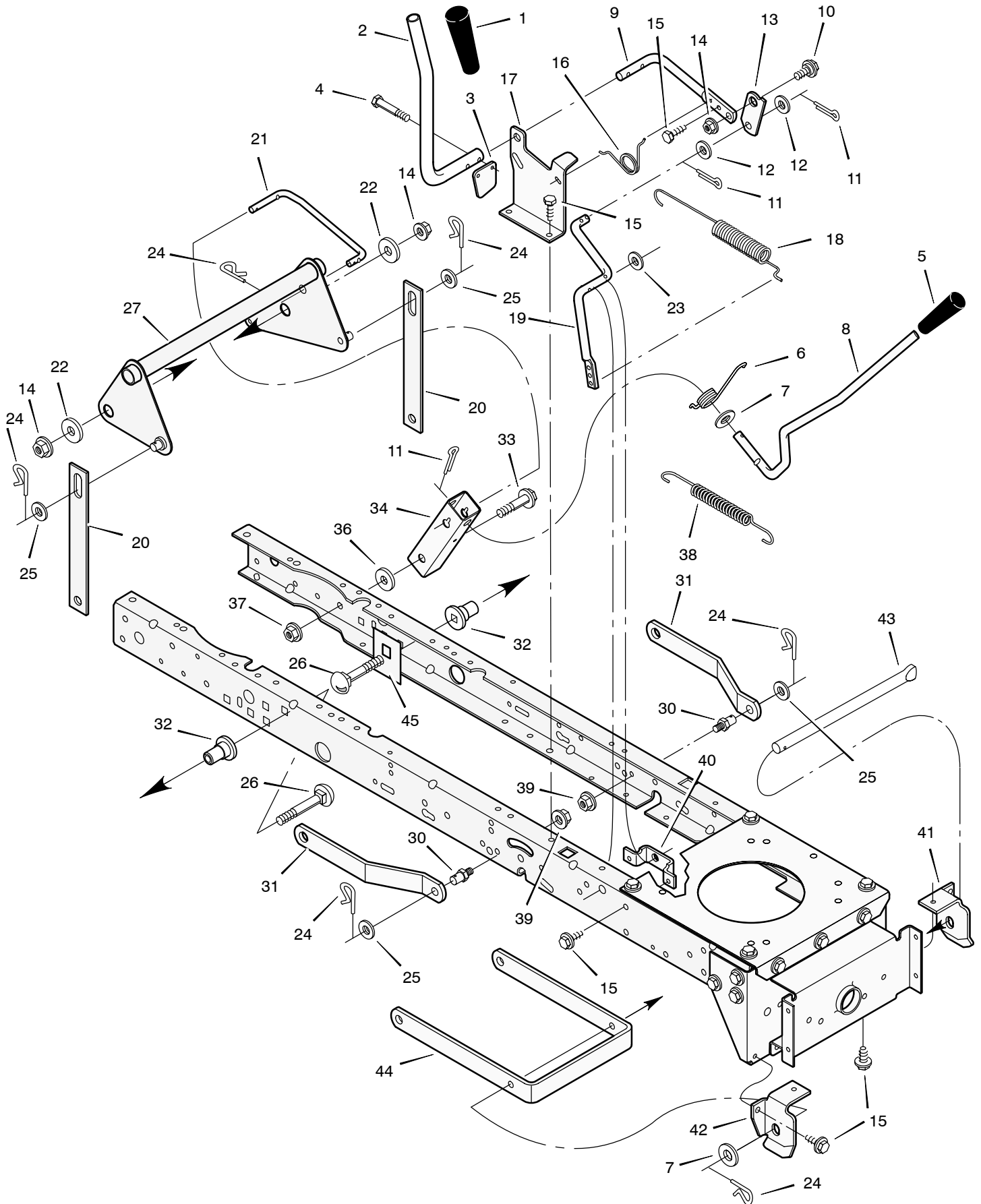
REPAIR PARTS STEERING

Key No.	Part No.	Description	Key No.	Part No.	Description
1	095185	Wheel, Steering	23	17x104	Washer
2	690626	Post, Steering	24	017x53 Z	Washer
3	711326	Insert, Steering Wheel	25	015x84	Nut, Flange
4	094124	Bearing	26	690211	Axle Assembly
5	15x111	Nut, Flange	27	095329E701	Drag Link, Left
6	009x57	Bolt, Shoulder	28	094575E701	Spindle Assembly, Right
7	1001893	Gear, Pinion	29	095328E701	Drag Link, Right
8	011x25	Ring, Snap	30	26x249	Screw
9	094121	Gear, Sector	31	091334	Bearing, Wheel
10	094123	Bearing	32	024373	Stem, Valve
11	001x84	Bolt	33	091923	Tire *
12	1001121E701	Plate, Steering	--	407924	Tube
13	094006E701	Plate, Engine	34	092288-601	Wheel and Tire Assembly
14	015x88	Nut, Flange	35	17x195	Washer
15	15x118	Nut, Flange	36	17x192	Washer
16	1001270E701	Bracket, Hanger	37	17x113	Washer
17	094007E701	Axle, Hanger	38	094618	Hub Cap
18	01x146	Bolt	39	26x267	Screw
19	030x49	Pin, Cotter	40	054789	Bellows
20	690150	Bearing	41	0025x3	Bolt
21	094576E701	Spindle Assembly, Left	42	17x146	Washer
22	01x111	Bolt			

* When you order a tire, make sure to give the brand name of the tire so that the tread pattern on the tire will match.

MODEL 405011x52A

REPAIR PARTS MOWER HOUSING SUSPENSION



MODEL 405011x52A

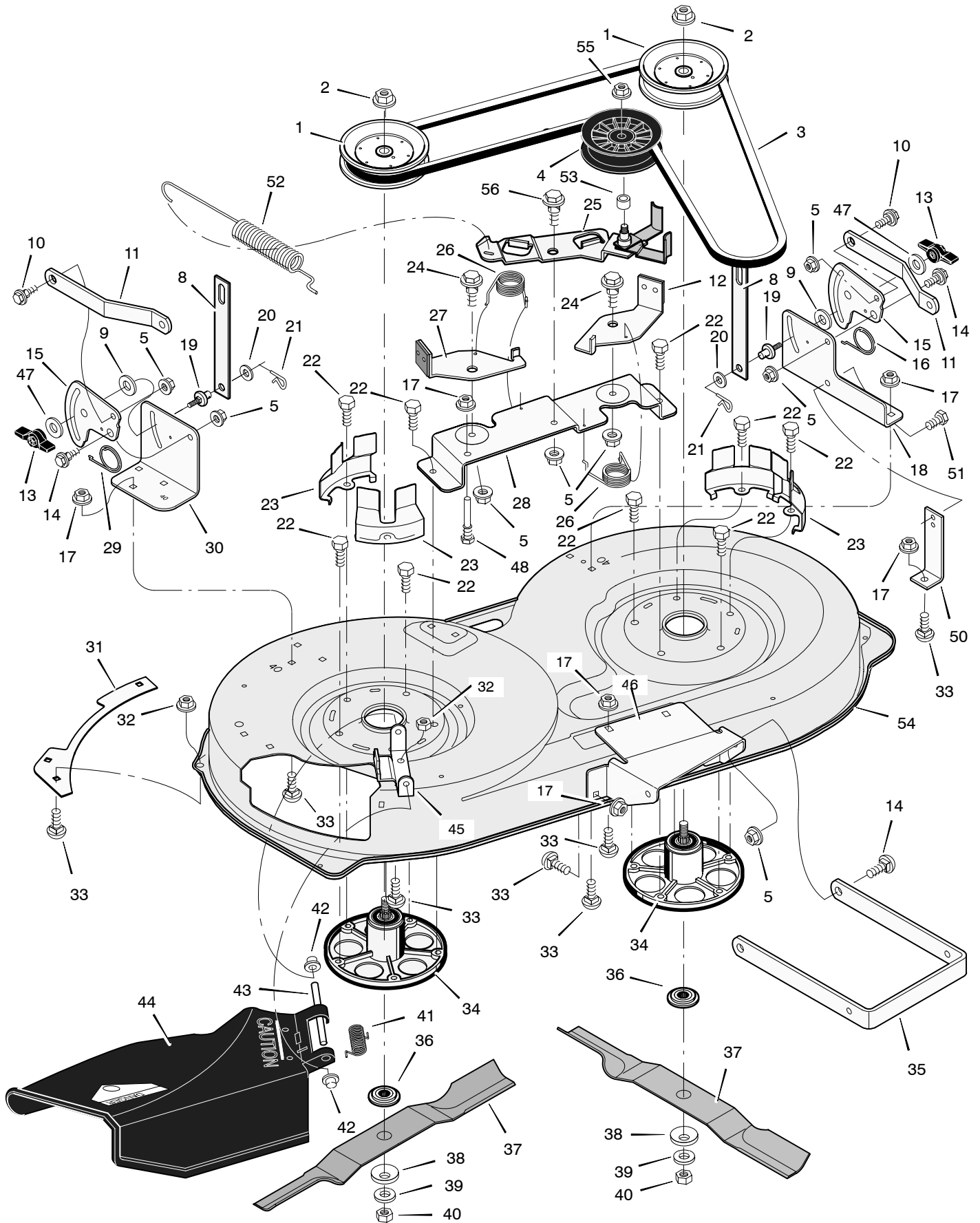
REPAIR PARTS MOWER HOUSING SUSPENSION

Key No.	Part No.	Description
1	092698	Grip
2	094346 Z	Handle, PTO
3	094022 Z	Pad, Switch
4	0025x3	Bolt
5	092697	Grip
6	166x40	Spring
7	17x103	Washer
8	690533	Handle, Lift
9	094017 Z	Lever, PTO
10	009x39	Bolt, Shoulder
11	030x20	Pin, Cotter
12	017x57	Washer
13	094004 Z	Link, PTO
14	015x84	Nut, Flange
15	26x249	Screw
16	166x39	Spring
17	094018E701	Bracket, PTO
18	165x118	Spring, PTO
19	690394E701	Crank, PTO
20	690212E701	Link, Lift
21	690122 Z	Link, Lift Handle

Key No.	Part No.	Description
22	17x168	Washer
23	017x57	Washer
24	0031x4	Pin, Hair
25	017x91	Washer
26	002x85	Bolt, Carriage
27	1001111E700	Lever Assembly, Lift
30	094067	Pin
31	094055E701	Bracket, Rear Suspension
32	690151	Spacer, Lifter
33	009x53	Bolt, Shoulder
34	094015E700	Bracket, Pivot
36	17x191	Washer
37	015x84	Nut, Flange
38	165x131	Spring
39	015x68	Nut, Flange
40	094005E701	Bracket, PTO
41	094027E701	Hanger, Left Deck
42	094026E700	Hanger, Right Deck
43	094158 Z	Rod, Hanger
44	690539E701	Bracket, Suspension
45	1001098E701	Plate, Stiffening

MODEL 405011x52A

REPAIR PARTS MOWER HOUSING



MODEL 405011x52A

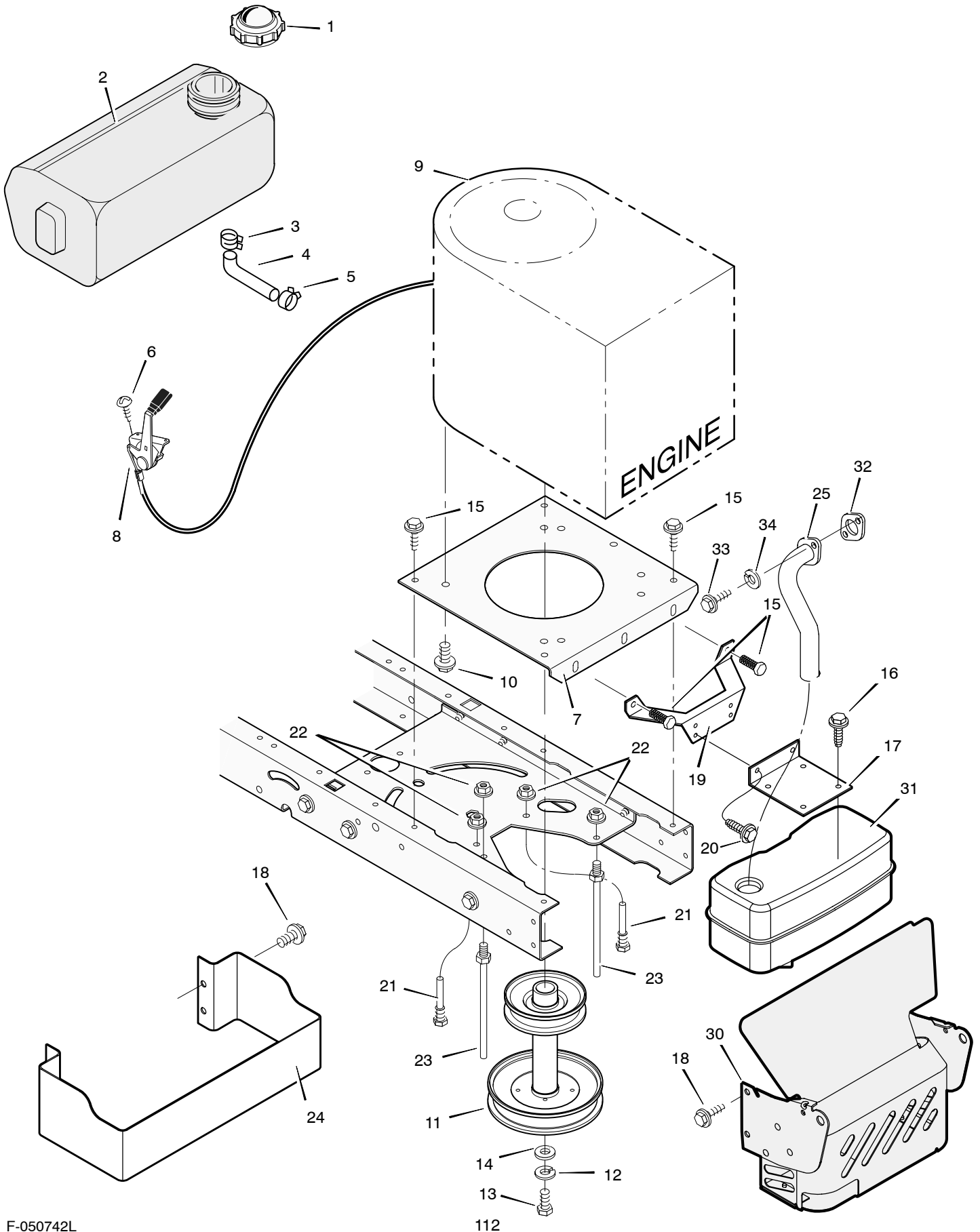
REPAIR PARTS MOWER HOUSING

Key No.	Part No.	Description	Key No.	Part No.	Description
1	092851	Pulley, Jackshaft	30	094142E700	Bracket, Suspension
2	15x140	Nut, Hex	31	091770E700	Plate
3	037x62	Belt, Mower Drive	32	015x88	Nut, Flange
4	690387	Pulley, Idler	33	002x53	Bolt, Carriage
5	015x84	Nut, Flange	34	1001200	Mandrell (Includes Key 6)
8	690212E701	Link, Lift	35	690539E701	Bracket, Suspension
9	094137	Pad, Friction	36	690411	Adapter, Blade
10	009x52	Bolt, Shoulder	37	1001428E701	Blade
11	094055E701	Bracket, Suspension	38	17x166	Washer
12	094049E701	Pad Assembly, Left Brake	39	17x165	Washer
13	094068	Knob	40	15x100	Nut
14	009x51	Bolt, Shoulder	41	0166x4	Spring
15	094128E700	Plate, Suspension	42	028x23	Cap, Push On
16	166x43	Spring	43	094957 Z	Rod, Pivot
17	015x79	Nut, Flange	44	094707	Deflector Assembly
18	094143E700	Bracket, Suspension	45	094956E701	Bracket, Deflector
19	095194	Pin, Hanger	46	094144E700	Bracket, Front Hanger
20	017x91	Washer	47	017x45 Z	Washer
21	0031x4	Pin, Cotter	48	094781	Guide, Belt
22	0025x7	Bolt	50	094681E700	Bracket, Support
23	094051E701	Cover, Pulley	51	26x249	Screw
24	009x39	Bolt, Shoulder	52	165x119	Spring, Extension
25	1001500	Arm, Idler	53	690369	Spacer
26	0166x41	Spring	54	7601060	Housing, Blade
27	094047E701	Pad Assembly, Right Brake	55	015x98	Nut, Flange
28	094145E700	Bracket Assembly, Brake	56	009x72	Bolt, Shoulder
29	166x42	Spring	1-56	7601044	Complete Mower Housing Assy.

* Included with Key 34.

MODEL 405011x52A

REPAIR PARTS ENGINE MOUNT



MODEL 405011x52A

REPAIR PARTS ENGINE MOUNT

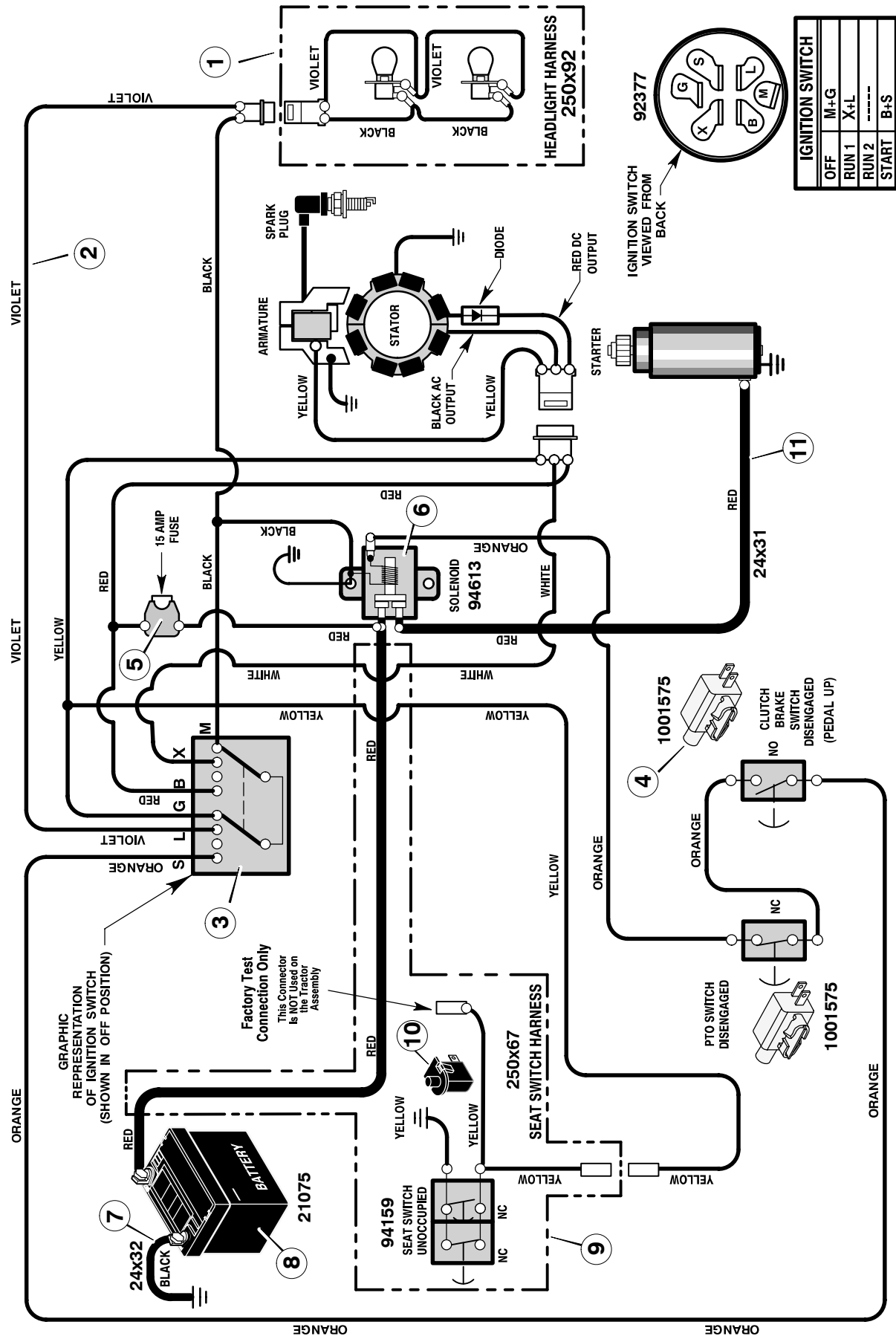
Key No.	Description	Part No.	Key No.	Description	Part No.
1	Fuel Cap **	092317	16	Screw	26x229
2	Fuel Tank	1001947	17	Bracket, Muffler	690538E701
3	Hose Clamp **	095197	18	Screw	26x277
4	Fuel Line (Must cut to length) **	7601033	19	Bracket, Muffler Mount	690537E701
5	Hose Clamp **	095197	20	Screw	026x263
6	Screw	26x201	21	Guide, Belt	094384
7	Plate, Engine	094006E701	22	Nut, Flange	015x79 Z
8	Throttle Control	092371	23	Guide, Belt	094066
9	Engine, Briggs & Stratton	--- * ---	24	Guard, Heat Shield	1001620-701
10	Bolt, Engine Mount	0025x7	25	Exhaust Tube, Single	1001747
11	Stack Pulley Assembly	690439	30	Shield, Heat	1001627-701
12	Lockwasher	019x35	31	Muffler	094654
13	Bolt, Hex	01x140	32	Gasket	091309
14	Washer	17x170	33	Screw	06x103
15	Screw	26x249	34	Washer	018x15

* For information on Replacement Parts for this engine contact the manufacturer.

** These parts are included with Key No. 2

MODEL 405011x52A

REPAIR PARTS ELECTRICAL SYSTEM



IGNITION SWITCH	
OFF	M+G
RUN 1	X+L
RUN 2	-----
START	B+S

MAIN HARNESS: 250X113
REAR HARNESS: 250X67
LIGHT HARNESS: 250X92

Key No.	Part No.	Description
1	250x92	Harness, Light Wire
	1001716	Socket, Light
	090084	Bulb, Light
2	250x113	Harness, Chassis Wire
3	092377	Switch, Ignition
	020729	Key, Ignition
	091489	Nut, Hex
	091488	Cap, Ignition
4	1001575	Switch, Limit
5	302031	Fuse
	407078	Holder, Fuse
6	1002004	Solenoid
	26x229	Screw, Mounting
	15x116	Locknut
7	024x32	Cable, Battery Ground
	26x229	Screw, Ground Cable
8	021075	Battery
	002x82	Bolt, Carriage
	014x79	Wingnut
	690604	Boot, Battery -Positive
9	250x67	Harness, Seat Switch Wire
10	094159	Switch, Seat Sensor
11	024x31	Cable