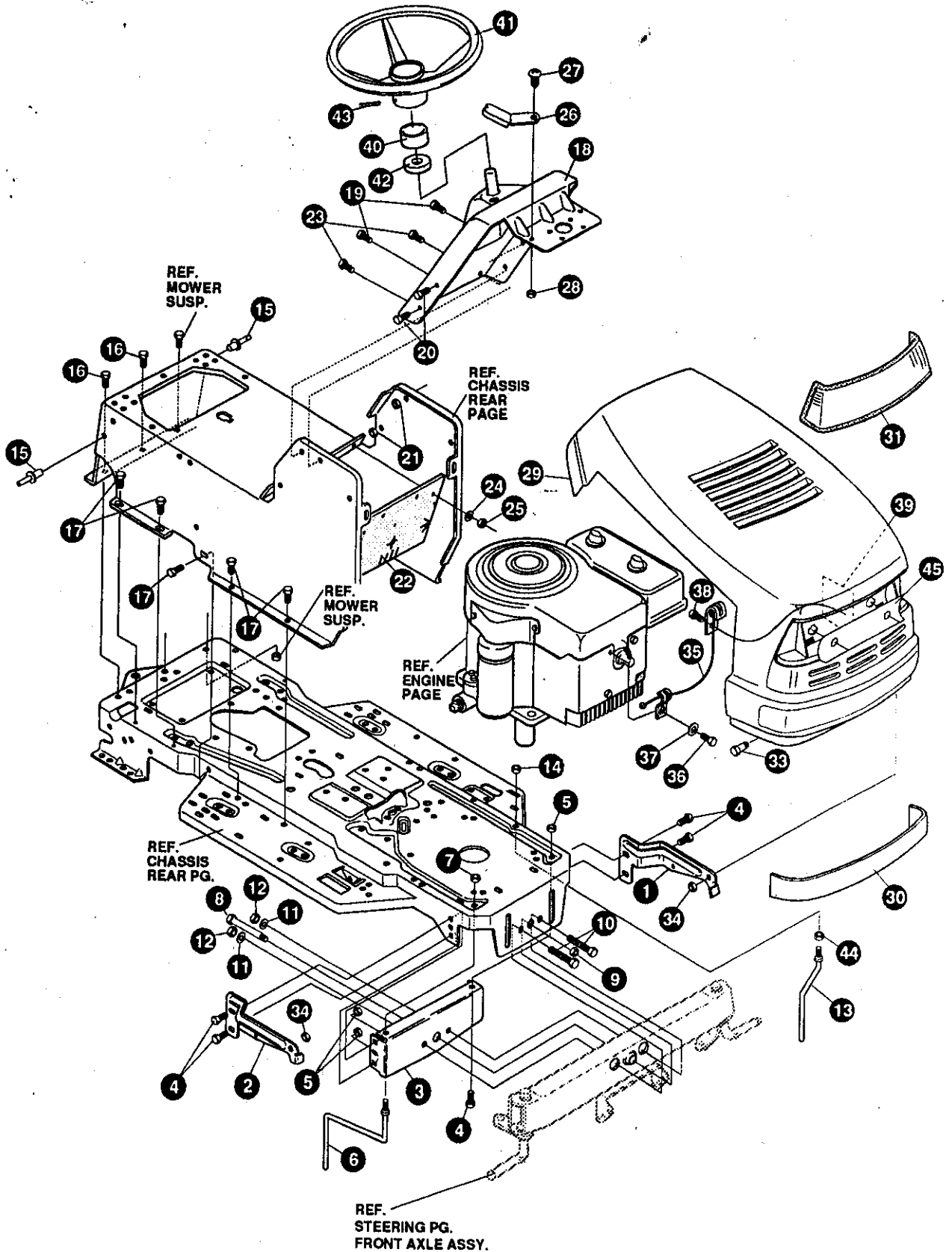


NOMA



F3560-041
12.5HP/43"

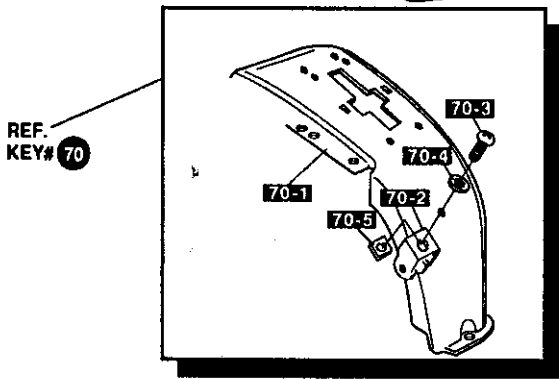
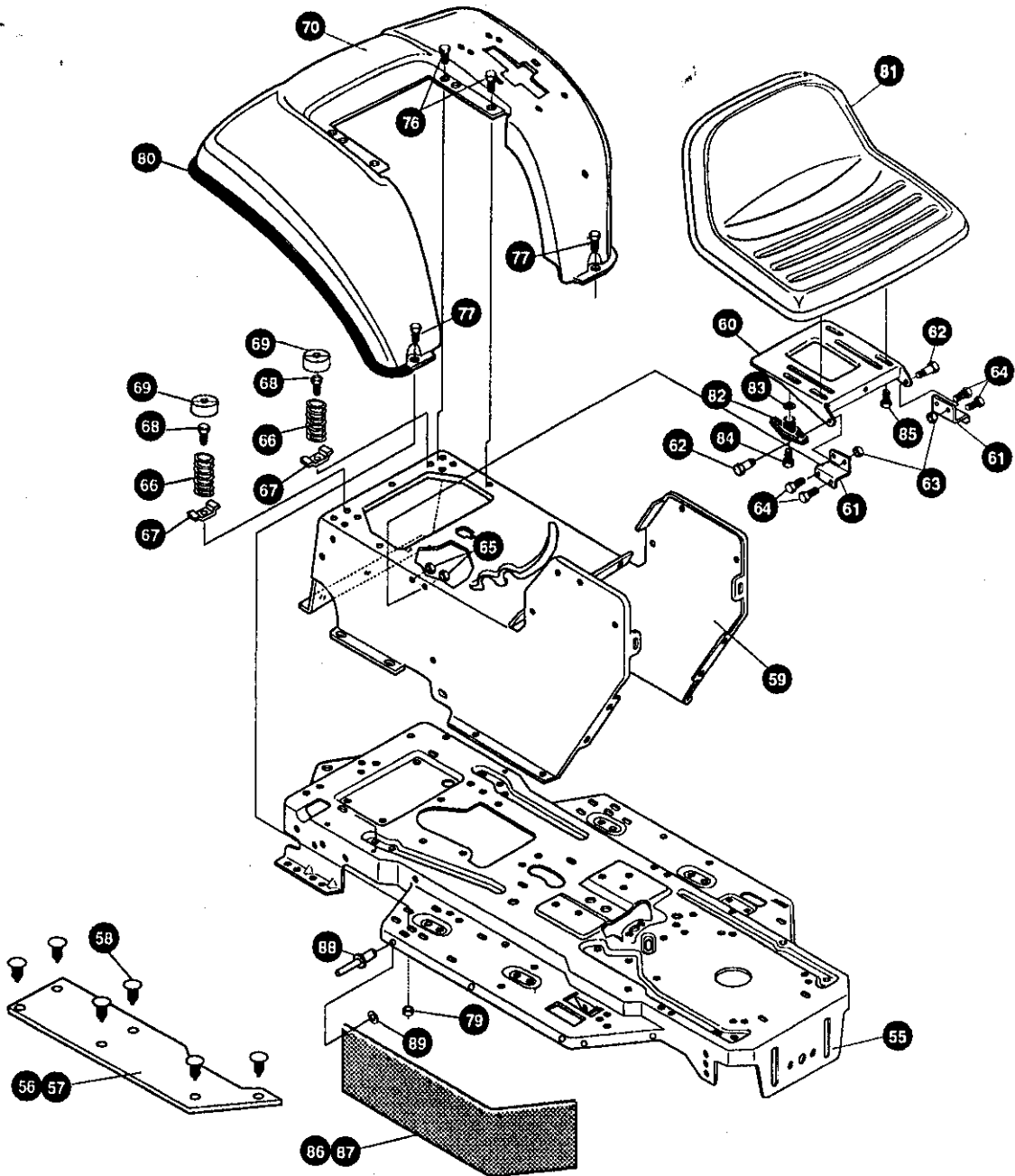


NOTE: ALWAYS USE ORIGINAL EQUIPMENT PARTS.
Use of service/replacement parts other than original equipment parts may void your warranty.

**ALL UNNUMBERED
ITEMS ARE INTERCHANGEABLE
WITH OPPOSITE SIDE**

325863 D

KEY#	PART#	DESCRIPTION	QTY
1	302857-853	BRACKET, GRILLE, LH, H-14	1
2	302856-853	BRACKET, GRILLE, RH, H-14	1
3	313541-853	BRACKET, FRONT AXLE	1
4	56030	SCREW, 5/16-18 X .75 WDFLLK	5
5	55273	NUT, 5/16-18 WDFLLKLRG	5
6	300440	GUIDE, BELT, RIDER	1
7	1498	NUT, 5/16-18 REGHEXCTRLK	1
8	308207	BOLT, .625 X 2.18 HSH, 1/2-13	1
9	309008	NUT, 1/2-13 HEXJAM CTRLK	1
10	180138	SCREW, 3/8-16 X 3.00 HHC	2
11	2483	WASHER, .39 ID X 1.25 D X .07 BELLVIL	2
12	1499	NUT, 3/8-16 REGHEXCTRLK	2
13	300635	GUIDE, BELT SHORT, 15" WHEEL	1
14	124824	NUT, 5/16-18 HEXJAM	1
15	46763	RIVET, POP .187 DIA X .450 LONG	3
16	35497	SCREW, 5/16-18 X .50 WAHTAP	2
17	995346	SCREW, 1/4-20 X .50 WAHTAP	10
18	309447-854	DASH, STEEL, LF	1
19	995346	SCREW, 1/4-20 X .50 WAHTAP	2
20	44811	SCREW, 1/4-20 X .75 WAHTAP	4
21	50352	NUT, 1/4-20 WDFLLK TOPLOCK	4
22	312306	BAFFLE, CONSOLE, SOUND EXPORT, LF	1
23	44811	SCREW, 1/4-20 X .75 WAHTAP	2
24	120392	WASHER, FLAT .281 X .63 X .065	2
25	1502	NUT, 1/4-20 REGHEXCTRLK	2
26	313021-853	GUIDE, HOOD	2
27	180020	SCREW, 1/4-20 X .75 HHC	2
28	51335	NUT, 1/4-20 WDFLWHIZ-LK	2
29	321185	HOOD	1
30	322700	DECAL, TAPE H14 8MIL VINYL	1
31	302670	LENS, HEADLAMP	1
33	56676	BOLT, .375 X .580 HSH 5/16-18	2
34	1498	NUT, 5/16-18 REGHEXCTRLK	2
35	310749	LANYARD, HOOD, 9.16 LONG, H14	1
36	180020	SCREW, 1/4-20 X .75 HHC	1
37	120380	WASHER, REGSPTLK .263 X .49 X .07	1
38	49050	SCREW, 1/4-10 X .75 PHPNTAP	1
39	301452	FOIL, HEAT REFLECTOR	1
40	311465	COVER, STEERING SHAFT	1
41	330510	STEERING WHEEL	1
42	301413	SPACER, STEERING SHAFT	1
43	456378	PIN, SPRING .250 DIA X 2.00 LONG	1
44	271190	NUT, 3/8-16 HEXKEPS	1
45	308492	FOIL, LENS, REFLECTOR	1
	336776	PARTS MANUAL	1
	335154	OPERATOR'S MANUAL (ENGLISH)	1
	335155	OPERATOR'S MANUAL (FRENCH)	1
	335156	OPERATOR'S MANUAL (GERMAN)	1

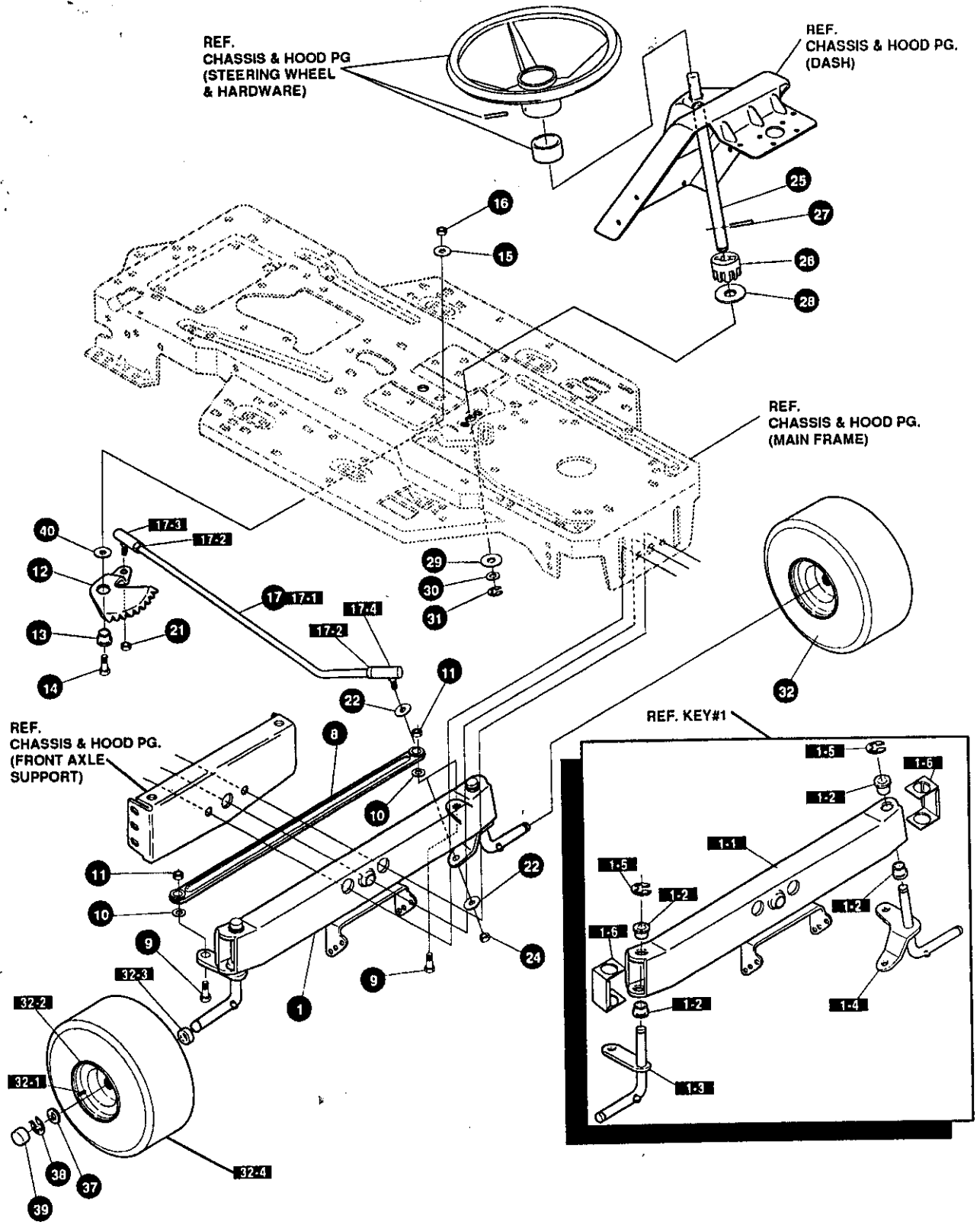


NOTE: ALWAYS USE ORIGINAL EQUIPMENT PARTS.
 Use of service/replacement parts other than original equipment parts may void your warranty.

ALL UNNUMBERED ITEMS ARE INTERCHANGEABLE WITH OPPOSITE SIDE

KEY#	PART#	DESCRIPTION	QTY
55	335851-853	FRAME, LF	1
56	310005	FOOT PAD, LH, 22.12 LONG, F-5	1
57	310006	FOOT PAD, RH, 22.12 LONG, F-5	1
58	309235	FASTENER, RATCHET BLACK	12
59	309657-854	CONSOLE, LF, TOPSHIFT	1
60	331535-853	PLATE, SEAT F5, SF/LF QUICK	1
61	310660-853	BRACKET, F-5, SEAT SUPPORT	2
62	20507	BOLT, .437 X .166 HSH, 5/16-18	2
63	1498	NUT, 5/16-18 REGHEXCTRLK	2
64	48901	SCREW, 5/16-18 X .63 WAHHC	4
65	1498	NUT, 5/16-18 REGHEXCTRLK	4
66	57153	SPRING, SEAT 2.63 LONG, 1.49OD BLACK	2
67	1341	CLAMP, SPRING 1.17"ID	2
68	44811	SCREW, 1/4-20 X .75 WAHHTAP	2
69	56907	COVER, SEAT SPRING 1.5 ID X 1.0 LONG	2
70	327470-854	ASSEMBLY, FENDER, F5	1
70-1	*	FENDER, F5, STD SHIFT	1
70-2	9239	CLEVIS	1
70-3	439455	SCREW, 5/16-18 X .56 PHPNMA	1
70-4	301551	WASHER, .344 ID X 1.50 D X .09	1
70-5	120373	NUT, 5/16-18 SQUARE	1
76	995346	SCREW, 1/4-20 X .50 WAHHTAP	4
77	126358	BOLT, 5/16-18 X 1.00 CARRLN	2
79	55273	NUT, 5/16-18 WDFLLKLRG	2
80	55023	TRIM, STRIP, BLACK—SMALL, W/ ADH	77.5"
81	331524	SEAT, MICHIGAN, LF, QUICK	1
82	13527	KNOB, T 2BLADE, W/516/18 NUT	1
83	120393	WASHER, FLAT .344 X .69 X .065	1
84	180079	SCREW, 5/16-18 X 1.00 HHC	1
85	331637	BOLT, .500 X .10 HSH, 5/16-18	2
86	305354	SKIRT, TUV, LF, RUBBER 7 X 15.64	1
87	305386	SKIRT, TUV, LF, RUBBER 7 X 28.03	1
88	328683	RIVET, POP 3/16 DIA X .50 LONG	10
89	1501	WASHER, FLAT .203 X .56 X .040	10

* REFERENCE ONLY



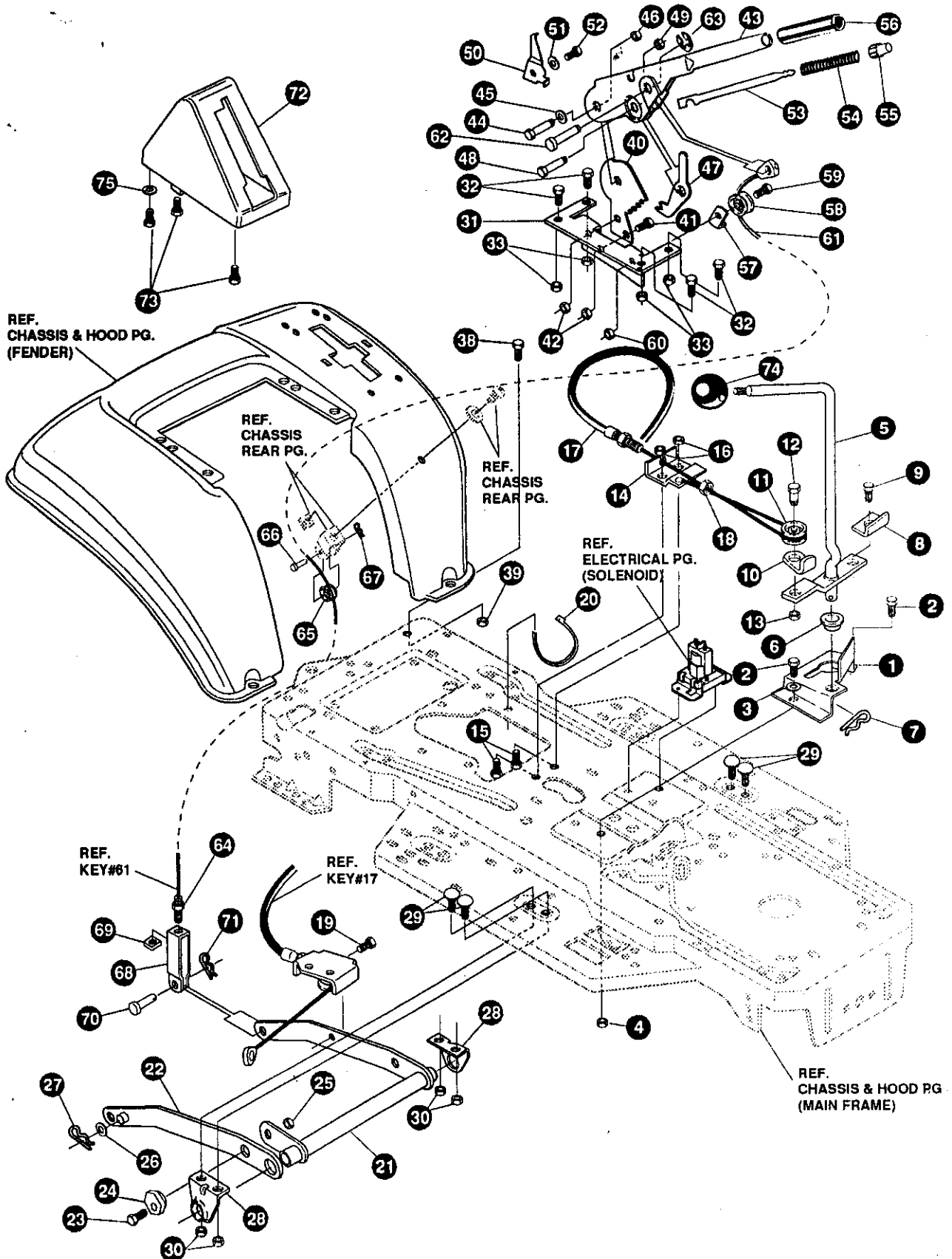
NOTE: ALWAYS USE ORIGINAL EQUIPMENT PARTS.
 Use of service/replacement parts other than original equipment parts may void your warranty.

ALL UNNUMBERED ITEMS ARE INTERCHANGEABLE WITH OPPOSITE SIDE

317124 K

KEY#	PART#	DESCRIPTION	QTY
1	*	AXLE, FRONTASSEMBLY	1
1-1	310170	AXLE, FRONT	1
1-2	52407	SPINDLE BEARING	4
1-3	9180	ASSEMBLY, SPINDLE, RH, LONG	1
1-4	314088	ASSEMBLY, SPINDLE, LH, LONG	1
1-5	36625	RING, RETEX .57 X .05 TRU 5133-75	2
1-6	53373-853	AXLE COVER	2
8	304590	TIE ROD ASSEMBLY, 19.81 LONG W-SECTION	1
9	180128	SCREW, 3/8-16 X 1.75 HHC	2
10	120382	WASHER, REGSPLTLK .393X.68X.10	2
11	1499	NUT, 3/8-24 REGHEXCTRLK	2
12	58289	SECTOR, STEERING	1
13	52406	BEARING, FLANGE ECC .510 ID X .998 OD X .56	1
14	180177	SCREW, 1/2-13 X 1.50 HHC	1
15	22265	WASHER, FLAT .515 X 1.38 X .119	1
16	1500	NUT, 1/2-13 REGHCTRLK	1
17	311100	KIT 300146 DRAGLINK	1
17-1	58291	STEERING LINK	1
17-2	124925	NUT, 3/8-24 REGHEXJAM	2
17-3	57158	BALL JOINT, 3/8 THD SHORT STUD	1
17-4	21275	BALL JOINT, 3/8 THD LONG STUD	1
21	412349	NUT, 3/8-24 WDFLHLK WHIZ	1
22	996416	WASHER, FLAT .391 X 1.00 X .125	2
24	412349	NUT, 3/8-24 HEXCTRLK	1
25	58243	SHAFT, STEERING	1
26	58244	PINION, STEERING	1
27	58274	PIN, DOWEL .2500 OD+1.75 LONG	1
28	301410	BEARING, FLANGE .752 ID X 1.061 OD X .24	1
29	301398	WASHER, FORMED1.135 X 1.53 X .12	1
30	21682	WASHER, FLAT .765 X 1.25 X .042	1
31	36625	RING, RETEX .57 X .05 TRU 5133-75	1
32	306541	TIRE & RIM ASSEMBLY, PU 15 X 6.0 X 6	2
32-1	24167	VALVE STEM	
32-2	321502	RIM, WHEEL	
32-3	314416	BEARING, FLANGE	
32-4	316702	TIRE, 15 X 6 X 6	
37	642	WASHER, FLAT .755 X1.31 X .075	4
38	36625	RING, RETEX .57 X .05 TRU 5133-75	2
39	40394	HUB CAP, 1.500 ID X 7/8 LONG	2
40	49998	WASHER, FLAT .520 X 1.25 X .209	1

* ORDER INDIVIDUAL PARTS - ASSEMBLY NOT AVAILABLE

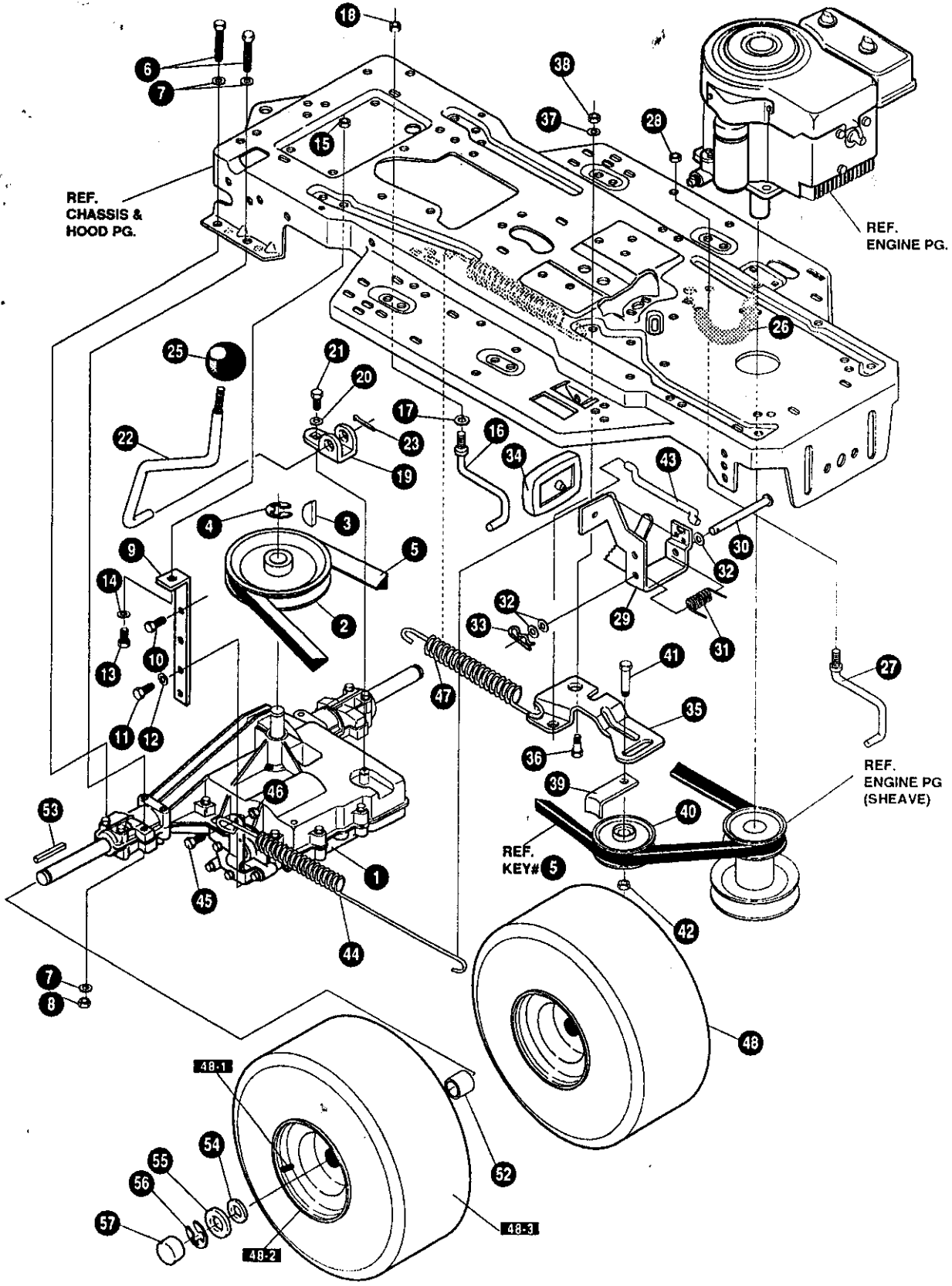


NOTE: ALWAYS USE ORIGINAL EQUIPMENT PARTS.
Use of service/replacement parts other than original equipment parts may void your warranty.

**ALL UNNUMBERED
ITEMS ARE INTERCHANGEABLE
WITH OPPOSITE SIDE**

325815 F

KEY#	PART#	DESCRIPTION	QTY
1	320075-853	BRACKET, CLUTCH ENGAGE LEVER	1
2	180079	SCREW, 5/16-18 X 1.00 HHC	2
3	120393	WASHER, FLAT .344 X .69 X .065	2
4	1498	NUT, 5/16-18 REGHEXCTRLK	2
5	304791	ASSEMBLY, CLUTCH LEVER	1
6	50148	BEARING, FLANGE .503 ID X .63 OD X .50	1
7	8260	PIN, HAIR .091 DIA X 1.66 LONG	1
8	318341	BRACKET, SWITCH ENGAGE	1
9	35498	SCREW, 5/16-18 X .75 WAHTAP	1
10	1288	BRACKET, CABLE RETAINER	1
11	48306	PULLEY, METAL	1
12	58336	BOLT, .375 X .375 HSH, 1/4-20	1
13	1502	NUT, 1/4-20 REGHEXCTRLK	1
14	300698-853	BRACKET, FRAME CABLE	1
15	180020	SCREW, 1/4-20 X .75 HHC	2
16	1502	NUT, 1/4-20 REGHEXCTRLK	2
17	301503	ASSEMBLY, CABLE, BLADE ENGAGE	1
18	120613	NUT, 1/4-28 HJAM	1
19	35498	SCREW, 5/16-18 X .75 WAHTAP	1
20	57444	TIE, CABLE BLACK NYLON, 5.62 LONG	1
21	300158-853	LIFT ASSEMBLY, LH	1
22	300169-853	LIFT ASSEMBLY, RH	1
23	180079	SCREW, 5/16-18 X 1.00 HHC	1
24	58247	NUT, ADJUST	1
25	1498	NUT, 5/16-18 REGHEXCTRLK	1
26	417098	WASHER, FLAT .531 X 1.06 X .063	2
27	8260	PIN, HAIR .091 DIA X 1.66 LONG	2
28	58248-853	BRACKET, REAR HANG SUSPENSION	2
29	57072	BOLT, 5/16-18 X .63 CARRLN	4
30	1498	NUT, 5/16-18 REGHEXCTRLK	4
31	313926	BRACKET, HEIGHT/ADJUST SUPPORT	1
32	180077	SCREW, 5/16-18 X .75 HHC	4
33	1498	NUT, 5/16-18 REGHEXCTRLK	4
38	180077	SCREW, 5/16-18 X .75 HHC	1
39	1498	NUT, 5/16-18 REGHEXCTRLK	1
40	301238	QUADRANT, HEIGHT ADJUST	1
41	180077	SCREW, 5/16-18 X .75 HHC	2
42	1498	NUT, 5/16-18 REGHEXCTRLK	2
43	322292-853	HANDLE, LIFT SHORT (30" S.F.)	1
44	300171	BOLT, .500 X .270 HSH, 5/16-18	1
45	996418	WASHER, FLAT .506 X .75 X .024	1
46	44108	NUT, 5/16-18 HWDFLCTRLK	1
47	301239	PAWL, SQUARE	1
48	300171	BOLT, .500 X .270 HSH, 5/16-18	1
49	44108	NUT, 5/16-18 HWDFLCTRLK	1
50	9435	POINTER, HEIGHT ADJUST	1
51	138479	WASHER, EXLK .195 X .41 X .03	1
52	35287	SCREW, #8-32 X .38 HHWATAP	1
53	303027	ROD, ACTUATOR-SHORT	1
54	58326	SPRING, HEIGHT ADJUST	1
55	58325	KNOB, HEIGHT ADJUST, PUSH BUTTON	1
56	58329	GRIP, .750 OD, W/ HOLE BLACK	1
57	9149	BRACKET, CABLE RETAINER	1
58	48306	PULLEY, METAL	1
59	58336	BOLT, .375 X .375 HSH, 1/4-20	1
60	1502	NUT, 1/4-20 REGHEXCTRLK	1
61	314177	CABLE, LIFT, 22.92, F-5, 20 X 8-8	1
62	300310	PIN, CLEVIS .310 DIA+ .475 LONG	1
63	300311	RING, RET E .31 X .25 TRU 5133-31	1
64	120375	NUT, 1/4-20 REGHEX	1
65	48306	PULLEY, METAL	1
66	300317	PIN, CLEVIS .375 DIA X .81 LONG	1
67	8260	PIN, HAIR .091 DIA X 1.66 LONG	1
68	9405	CLEVIS, LIFT CABLE	1
69	120372	NUT, 1/4-20 REGSQ	1
70	39522	PIN, CLEVIS .312 X .812	1
71	121222	PIN, COTTER .090 DIA X .75 LONG	1
72	333903	LIFT COVER, F5, LF, SF, BLACK	1
73	300340	SCREW, #10 X .75 HHPLAST, BLACK	3
74	55514	KNOB, ROUND 1.50 DIA, BLACK	1
75	120392	WASHER, FLAT .281 X .63 X .065	1

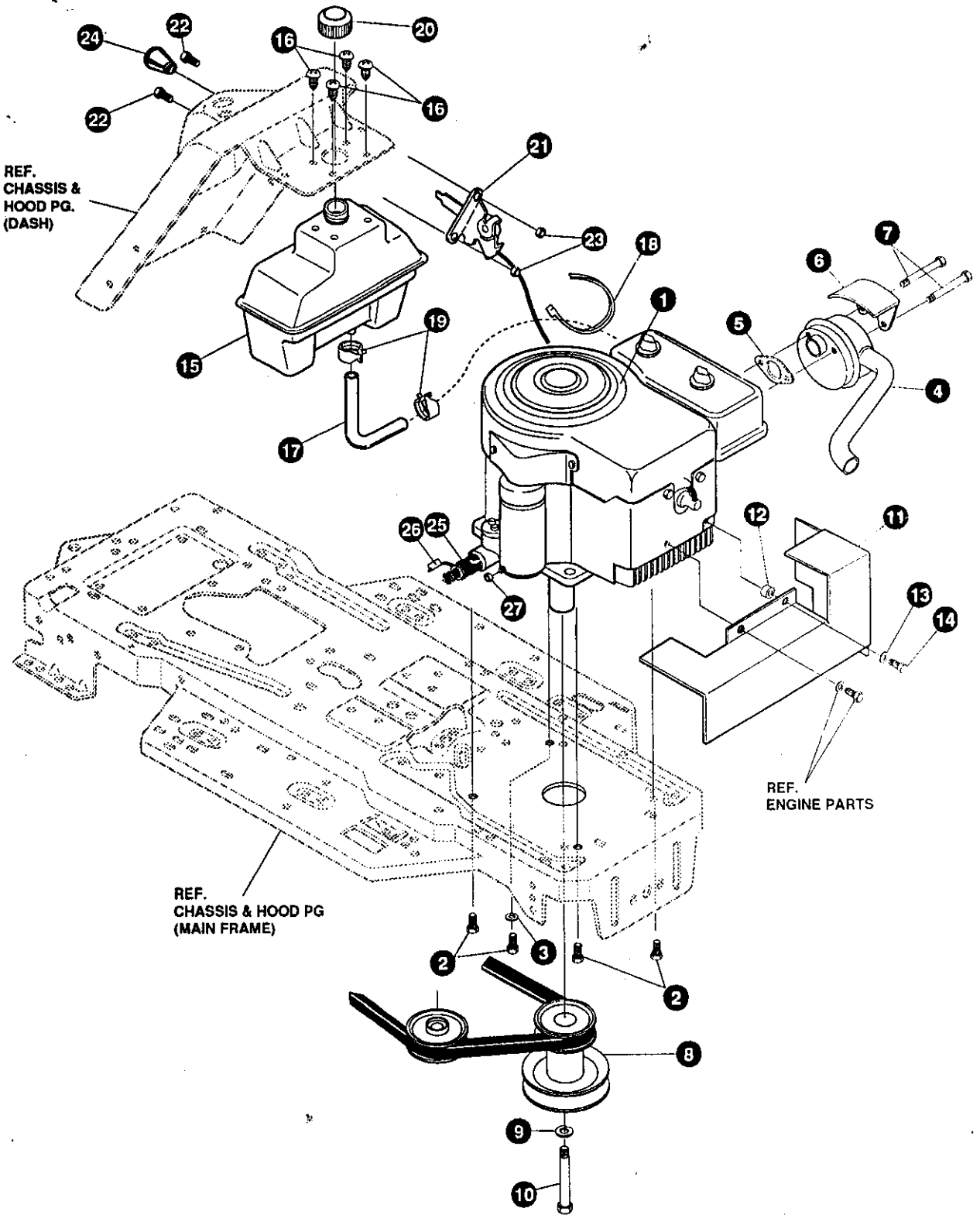


NOTE: ALWAYS USE ORIGINAL EQUIPMENT PARTS.
 Use of service/replacement parts other than original equipment parts may void your warranty.

ALL UNNUMBERED ITEMS ARE INTERCHANGEABLE WITH OPPOSITE SIDE

KEY#	PART#	DESCRIPTION	QTY
1	*	TRANSAXLE, FOOTE, 4360-5	1
2	302745	PULLEY, 6.6 OD V4L T/A	1
3	50795	KEY, HI-PRO, 606 .75 DIA X .187 WD	1
4	22053	RING, RETEX .58 X .035 TRU 5100-62	1
5	314120	BELT, V 4L, 87.25, 4WS, LF	1
6	180113	SCREW, 5/16-18 X 3.00 HHC	4
7	120393	WASHER, FLAT .344 X .69 X .065	8
8	1498	NUT, 5/16-18 REGHEXCTRLK	4
9	323739	BRACKET, STABILIZER	1
10	50947	SCREW, 3/8-16 X 1.25 WAHTAP	1
11	35498	SCREW, 5/16-18 X .75 WAHTAP	1
12	120638	WASHER, HVSPTLK .328 X .60 X .09	1
13	180079	SCREW, 5/16-18 X 1.00 HHC	1
14	120393	WASHER, FLAT .344 X .69 X .065	1
15	1498	NUT, 5/16-18 REGHEXCTRLK	1
16	57259	GUIDE, BELT 5/16-18 THD	1
17	138538	WASHER, REGINTLK .320 X .61 X .03	1
18	1498	NUT, 5/16-18 REGHEXCTRLK	1
19	57480	BRACKET,SHIFT, P920-5	1
20	57157	WASHER, .750 X .250 SP-TRANSAXLE	1
21	56255	SCREW, 1/4-28 X .75 NYLHHC	1
22	302743	LEVER, SHIFT FOOT, 4360-5&6, LF	1
23	137185	PIN, COTTER .125 DIA X 1.00 LONG	1
25	55514	KNOB, ROUND 1.50 DIA, BLACK	1
26	321514	SPRING, DRAG LINK BIAS	1
27	304016	GUIDE, BELT RH	1
28	1498	NUT, 5/16-18 REGHEXCTRLK	1
29	325942	PEDAL ASSEMBLY, BRAKE/CLUTCH, LF	1
30	319675	PIN, CLEVIS .500 D X 4.53 LONG	1
31	57847	SPRING, BRAKE PEDAL	1
32	2968	WASHER, FLAT .504 X .75 X .059	3
33	56180	PIN, HAIR .091 DIA X 1.62 LONG	1
34	48160	PAD, CLUTCH BRAKE W/PRINTING	1
35	320381-853	ARM, IDLER TRACTION, SOG, LF	1
36	329989	BOLT, .625 X .135 HSH, 5/16-18	1
37	45602	WASHER, FLAT .333 X .87 X .119	1
38	1498	NUT, 5/16-18 REGHEXCTRLK	1
39	39659	RETAINER, BELT	1
40	35374	PULLEY, IDLER V4L, 3.06 X .62	1
41	45892	BOLT, 3/8-16 X 1.50 CARRSN	1
42	1499	NUT, 3/8-16 REGHXCTRLK	1
43	57204	ROD, CLUTCH 3.92"	1
44	325937	SPRING, BRAKE, 28.80, 930, 4360	1
45	326131	BOLT, .495 X .31 HSH, 5/16-18	1
46	1498	NUT, 5/16-18 REGHEXCTRLK	1
47	330505	SPRING, CLUTCH .113 X .750 X 8.75	1
48	327630	TIRE & RIM ASSEMBLY, 20 X 8.00-8	2
48-1	24167	VALVE STEM	
48-2	57165	RIM, WHEEL	
48-3	319684	TIRE, 20 X 8 X 8	
52	57479	SPACER, SLEEVE .75 X 1.25 X 1.32	2
53	52928	KEY, SQUARE .187 SQUARE X 2.25 LONG	2
54	642	WASHER, FLAT .755 X 1.31 X .075	4
55	42815	WASHER, FLAT .755 X 1.53 X .07	2
56	36625	RING, RETEX .57 X .05 TRU 5133-75	2
57	40394	HUB CAP, 1.500 ID X 7/8 LONG	2

* CONTACT YOUR NEAREST TRANSAXLE DEALER FOR PARTS & SERVICE



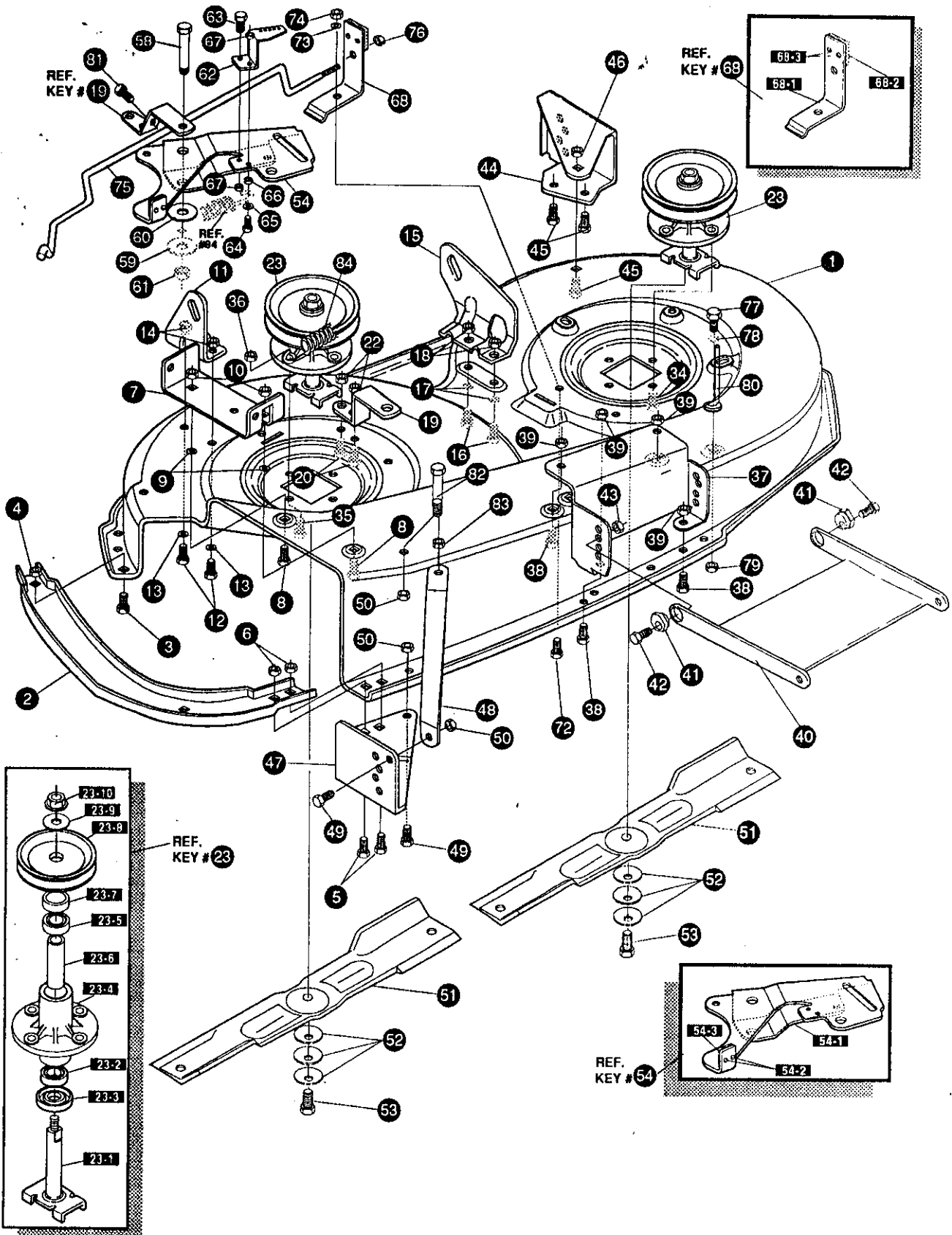
NOTE: ALWAYS USE ORIGINAL EQUIPMENT PARTS.
Use of service/replacement parts other than original equipment parts may void your warranty.

**ALL UNNUMBERED
ITEMS ARE INTERCHANGEABLE
WITH OPPOSITE SIDE**

336211 A

KEY#	PART#	DESCRIPTION	QTY
1	*	ENGINE, 12-12.5HP, B&S, IC DUAL	1
2	50947	SCREW, 3/8-16 X 1.25 WAHHTAP	4
3	138489	WASHER, EXLK .384 X .69 X .04	1
4	305367	MUFFLER, LO TONE NELSON, EXPORT	1
5	46708	GASKET, MUFFLER	1
6	54767	SHIELD, HEAT, FOR ROUND MUFFLER	1
7	54980	SCREW, 5/16-18 X 3.50 HHC	2
8	328029	PULLEY, ENGINE, 4.40OFF/5.00D/3.00D	1
9	120383	WASHER, REGSPTLK .459 X .78 X .12	1
10	428644	SCREW, 7/16-20 X 5.00 HHC	1
11	308543-853	HEAT SHIELD ASSEMBLY, 11 & 12HP	1
12	41462	SPACER, SLEEVE .328 X .75 X .312	1
13	120380	WASHER, REGSPTLK .263 X .49 X .07	1
14	180022	SCREW, 1/4-20X1.00 HHC	1
15	314989	TANK, FUEL 1 GALLON, CLEAR	1
16	49050	SCREW, 1/4-10 X .75 PHPNTAP	4
17	50118	TUBING, .25 X .50 X BULK GAS LINE	13.5"
18	57444	TIE, CABLE BLACK NYLON, 5.62 LONG	1
19	47345	CLAMP, HOSE SCREW TYPE	2
20	46704	CAP, GAS 1-1/2-7 THD, BLACK	1
21	321273	CONTROL, THROTTLE 12-12.5HP, LF	1
22	320553	SCREW, 10-24 X .63 PHPNMA	2
23	308459	NUT, #10-24 HXHDNYLK	2
24	50607	KNOB, ROUND THROTTLE, BLACK	1
25	325547	OIL DRAIN VALVE ASSEMBLY	1
26	327422	CAP, OIL DRAIN VALVE ASSEMBLY, YELLOW	1
27	124818	NUT, 1/4-20 REGHXJAM	1

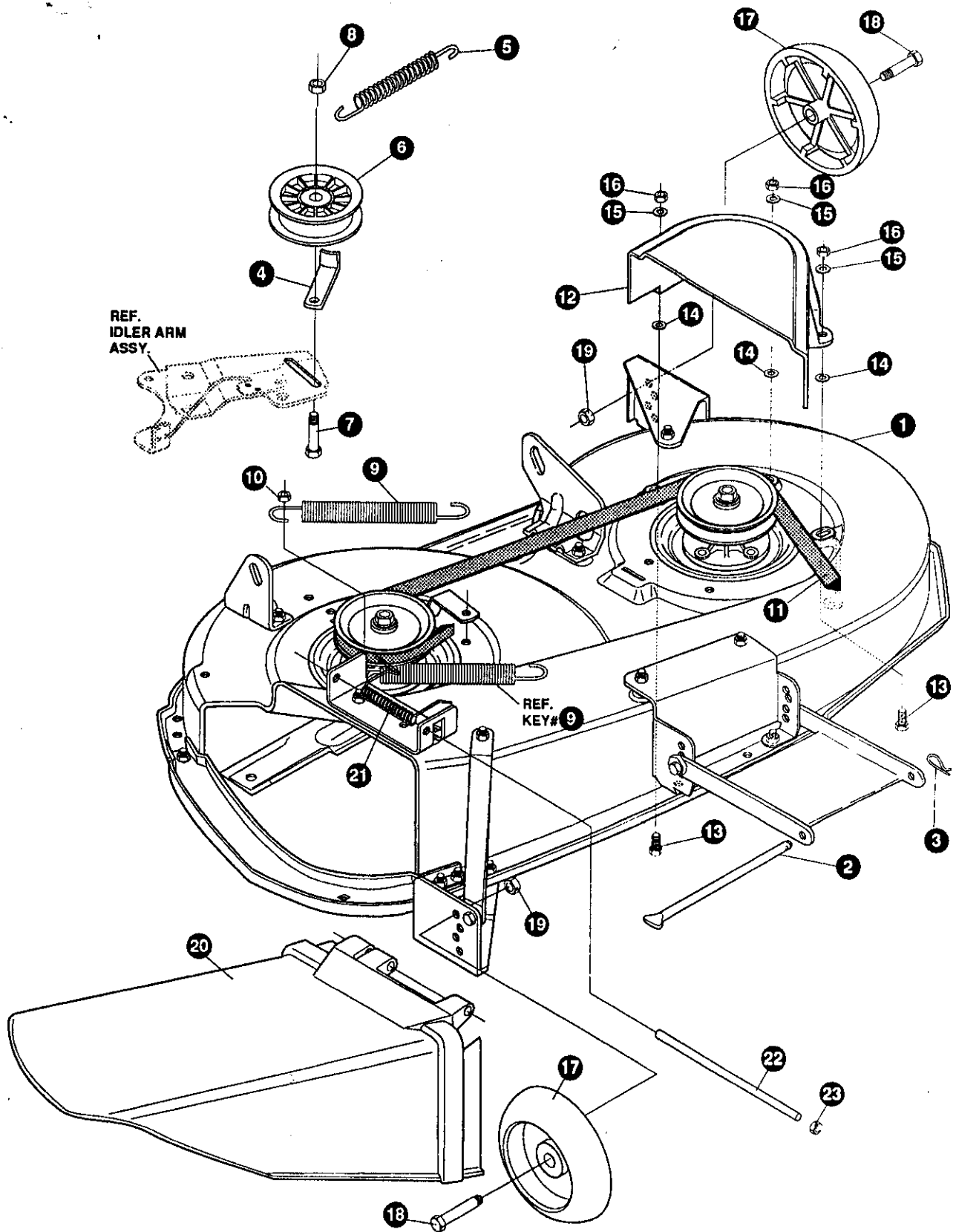
* SEE ENGINE MANUAL



NOTE: ALWAYS USE ORIGINAL EQUIPMENT PARTS.
Use of service/replacement parts other than original equipment parts may void your warranty.

ALL UNNUMBERED ITEMS ARE INTERCHANGEABLE WITH OPPOSITE SIDE

KEY#	PART#	DESCRIPTION	QTY
1	325116	43" DECK KIT	1
2	326480-853	TOE GUARD - MULCHER	1
3	180077	SCREW, 5/16-18 X .75 HHC	1
4	1498	NUT, 5/16-18 REGHEXCTRLK	1
5	180077	SCREW, 5/16-18 X .75 HHC	2
6	1498	NUT, 5/16-18 REGHEXCTRLK	2
7	317017	BRACKET, CHUTE MOUNT, BLACK	1
8	180077	SCREW, 5/16-18 X .75 HHC	2
9	120393	WASHER, FLAT .344 X .69 X .065	2
10	1498	NUT, 5/16-18 REGHEXCTRLK	2
11	313929	LIFT BRACKET, REAR, RH, BLACK 853	1
12	180077	SCREW, 5/16-18 X .75 HHC	2
13	120393	WASHER, FLAT .344 X .69 X .065	2
14	1498	NUT, 5/16-18 REGHEXCTRLK	2
15	310667	BRACKET, DECK, LIFT, REAR, LH, BLACK	1
16	180077	SCREW, 5/16-18 X .75 HHC	2
17	120393	WASHER, FLAT .344 X .69 X .065	2
18	1498	NUT, 5/16-18 REGHEXCTRLK	2
19	326893-853	BRACE, IDLER SUPPORT, 40", 43"	1
20	180077	SCREW, 5/16-18 X .75 HHC	2
22	44108	NUT, 5/16-18 HWDFLCTRLK	2
23	56424-853	QUILL ASSEMBLY, 36/39/40/43	2
23-1	56425	SHAFT/SADDLE 36"	1
23-2	49562	BEARING, BALL 6203-2AA-C3 ARMORED	1
23-3	50616	DUST SHIELD	1
23-4	55547	QUILL CASTING (1046)	1
23-5	49562	BEARING, BALL 6203-2AA-C3 ARMORED	1
23-6	50818	SPACER, SLEEVE .669 X .88 X 3.797	1
23-7	51449	SPACER, SLEEVE .672 X .93 X .438	1
23-8	313898	PULLEY ASSEMBLY	1
23-9	56365	WASHER, SPECIAL QUILL	1
23-10	1282	NUT, 7/16-20 WDFLLK	1
34	35498	SCREW, 5/16-18 X .75 WAHHTAP	7
35	300345	SCREW, 5/16-18 X 1.38 WAHHTAP	1
36	1498	NUT, 5/16-18 REGHEXCTRLK	1
37	317040	BRACKET FRONT, BLACK	1
38	180077	SCREW, 5/16-18 X .75 HHC	4
39	1498	NUT, 5/16-18 REGHEXCTRLK	4
40	58305-853	BRACKET, LINK, DECK, FRONT	1
41	58247	NUT, ADJUST	2
42	180079	SCREW, 5/16-18 X 1.00 HHC	2
43	1498	NUT, 5/16-18 REGHEXCTRLK	2
44	317041	BRACKET, GAGE WHEEL, LH, BLACK	1
45	180077	SCREW, 5/16-18 X .75 HHC	3
46	1498	NUT, 5/16-18 REGHEXCTRLK	3
47	322464-853	BRACKET, GAGE WHEEL, RH, FRONT	1
48	314282-853	BRACKET, STABILIZER	1
49	180077	SCREW, 5/16-18 X .75 HHC	2
50	1498	NUT, 5/16-18 REGHEXCTRLK	3
51	326961	BLADE, 43", BLACK	2
52	2483	WASHER, .39 ID X 1.25 D X .07 BELLVIL	6
53	39573	SCREW, 3/8-24 X 1.00 NYLHHC	2
54	320576-853	IDLER ARM ASSEMBLY	1
54-1	322116-853	ARM, IDLER 40/43", DECK	1
54-2	41601	RIVET, OVSET .187 DIA X .50 LONG	2
54-3	306973	BRAKE PAD - HARD-NF343 (X-31)	1
58	304420	BOLT, 500 X 2.15 HSSH	1
59	996416	WASHER, FLAT .391 X 1.00 X .125	1
60	996307	WASHER, FLAT .391 X 1.00 X .209	1
61	45171	NUT, 3/8-16 HWDFL, WHIZ-LOCK	1
62	326249-853	BRACKET, EXTENSION IDLER	1
63	180077	SCREW, 5/16-18 X .75 HHC	1
64	180083	SCREW, 5/16-18 X 1.50 HHC	1
65	446363	WASHER, FLAT .375 X .88 X .082	1
66	271184	NUT, 5/16-18 HEXKEPS	1
67	1498	NUT, 5/16-18 REGHEXCTRLK	2
68	321828	BLADE BRAKE ASSEMBLY	1
68-1	135624	RIVET, TRSET .185 DIA X .41 LONG	2
68-2	304119-853	BRAKE ARM	1
68-3	306973	BRAKE PAD - HARD-NF343 (X-31)	1
72	180077	SCREW, 5/16-18 X .75 HHC	1
73	120393	WASHER, FLAT .344 X .69 X .065	1
74	1498	NUT, 5/16-18 REGHEXCTRLK	1
75	314079	ROD, BRAKE	1
76	1502	NUT, 1/4-20 REGHEXCTRLK	1
77	180079	SCREW, 5/16-18 X 1.00 HHC	1
78	120393	WASHER, FLAT .344 X .69 X .065	1
79	1498	NUT, 5/16-18 REGHEXCTRLK	1
80	325965	BELT GUIDE, 43" DECK, UPSTOP	1
81	308231	SCREW, 1/4-20 X 1.25 HHWATAP	1
82	311104	SCREW, 5/16-18 X 5.00 HHC	1
83	271184	NUT, 5/16-18 HEXKEPS	1
84	35410	SPRING, .071 X .62 X 4.37	1



REF.
IDLER ARM
ASSY.

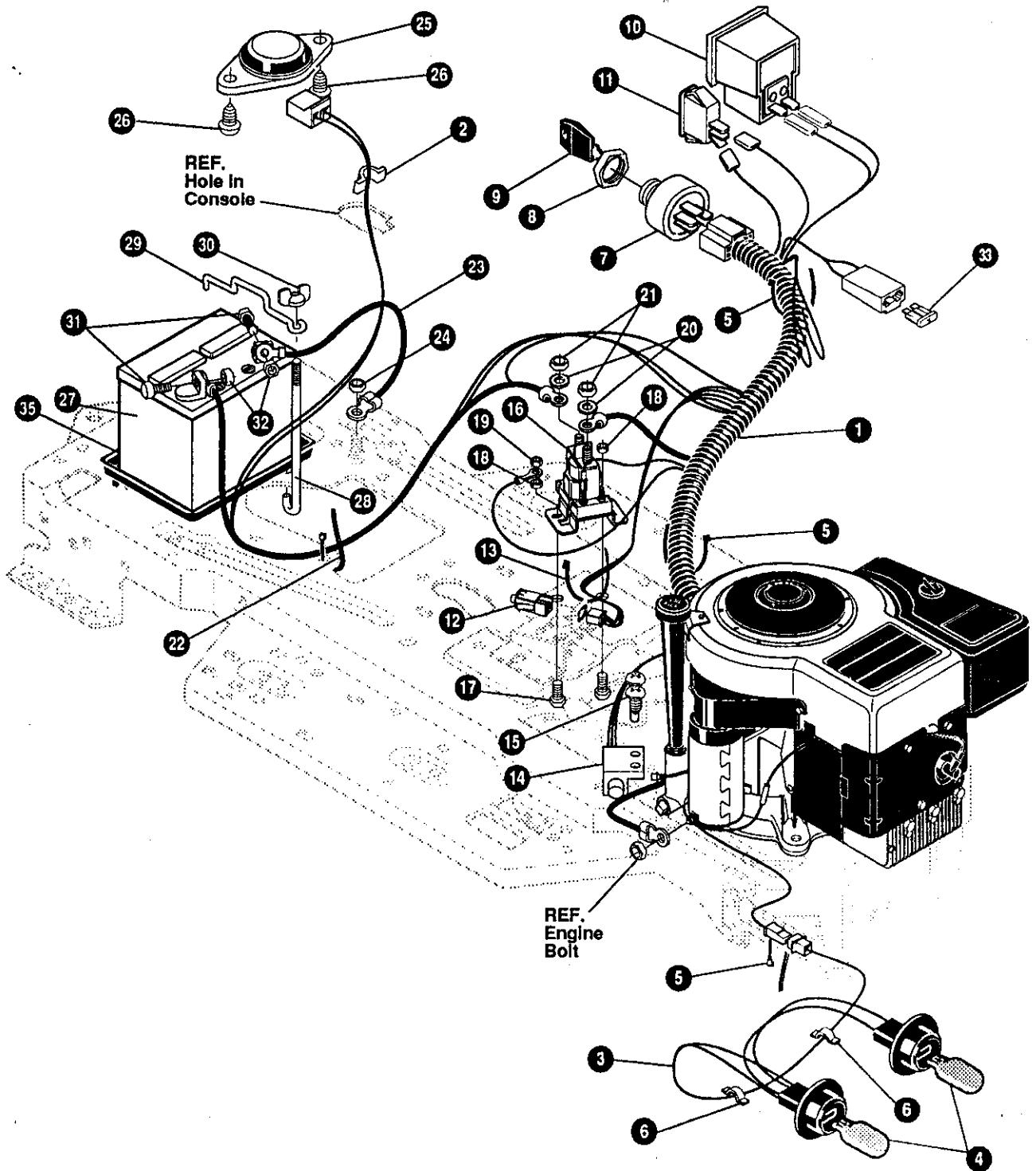
REF.
KEY# 9

NOTE: ALWAYS USE ORIGINAL EQUIPMENT PARTS.
Use of service/replacement parts other than original equipment parts may void your warranty.

**ALL UNNUMBERED
ITEMS ARE INTERCHANGEABLE
WITH OPPOSITE SIDE**

326401 C

KEY#	PART#	DESCRIPTION	QTY
1	329036	DECK, 43" MOWER, 2-WHEEL EXPORT	1
2	58306	ROD, DECK HITCH	1
3	8260	PIN, HAIR .091 DIA X1.66 LONG	1
4	1346	RETAINER, BELT	1
5	314107	SPRING, TENSION 5.00 LONG+17LB/IN	1
6	310326	PULLEY, IDLER BFF 4.00 WIDE	1
7	126416	BOLT, 3/8-16 X 1.75 CARRLN	1
8	45171	NUT, 3/8-16 HWDFL WHIZ-LOCK	1
9	35410	SPRING, .071 X .62 X 4.37	1
10	1498	NUT, 5/16-18 REGHEXCTRLK	1
11	314108	BELT, V 5L, 86.00 KEVLAR	1
12	333073	GUARD, BELT, LH, PLASTIC	1
13	57101	BOLT, 5/16-18 X .75 CARRSN	3
14	309436	PUSHNUT, 5/16 BOLT RETAINER	3
15	120393	WASHER, FLAT .344 X .69 X .065	3
16	1498	NUT, 5/16-18 REGHEXCTRLK	3
17	302611	GAUGE WHEEL, EURO 6.00 OD X 1.38 WD	2
18	23763	BOLT, .500 X 1.390 HSH, 3/8-16	2
19	1499	NUT, 3/8-16 REGHXCTRLK	2
20	304422	CHUTE DEFLECTOR, 40", 42" & 43"	1
21	314975	SPRING, TORSION, CHUTE DEFLECTOR	1
22	304424	ROD, PIVOT DECK .312 D X 7.25	1
23	3535	NUT, PUSH ON CAP .312 OD	1



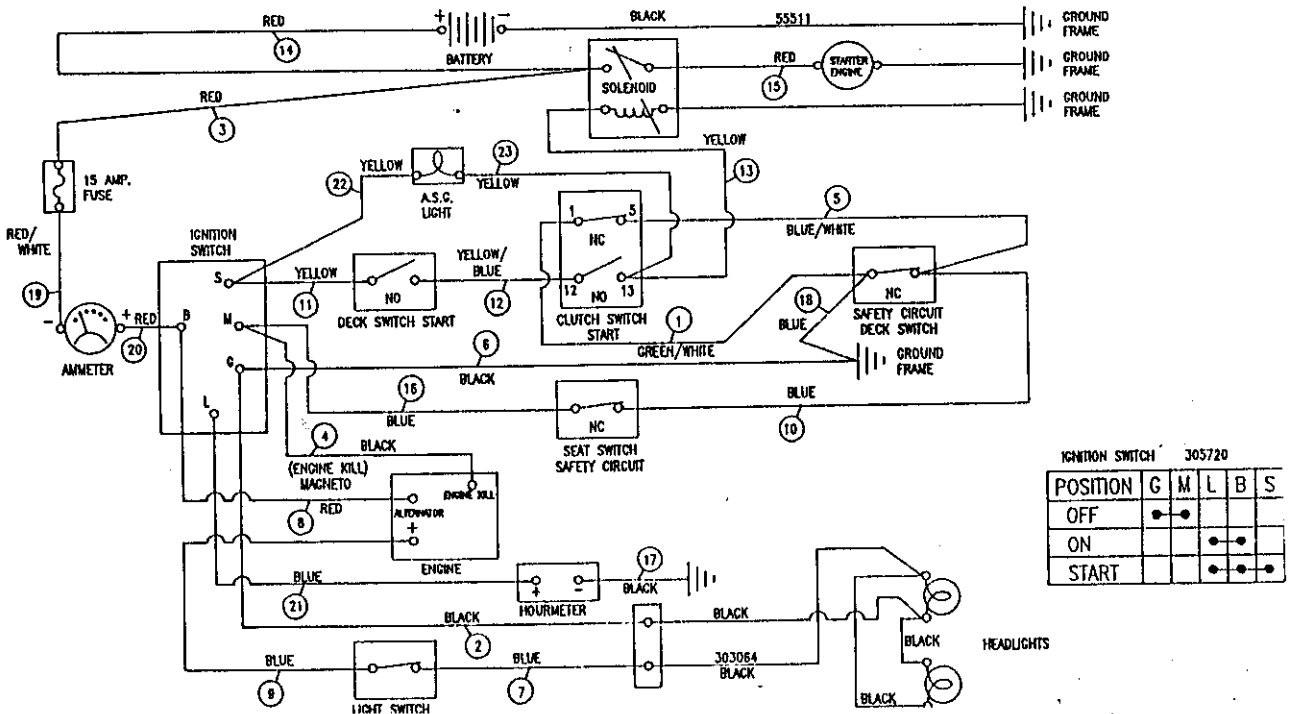
NOTE: ALWAYS USE ORIGINAL EQUIPMENT PARTS.
Use of service/replacement parts other than original equipment parts may void your warranty.

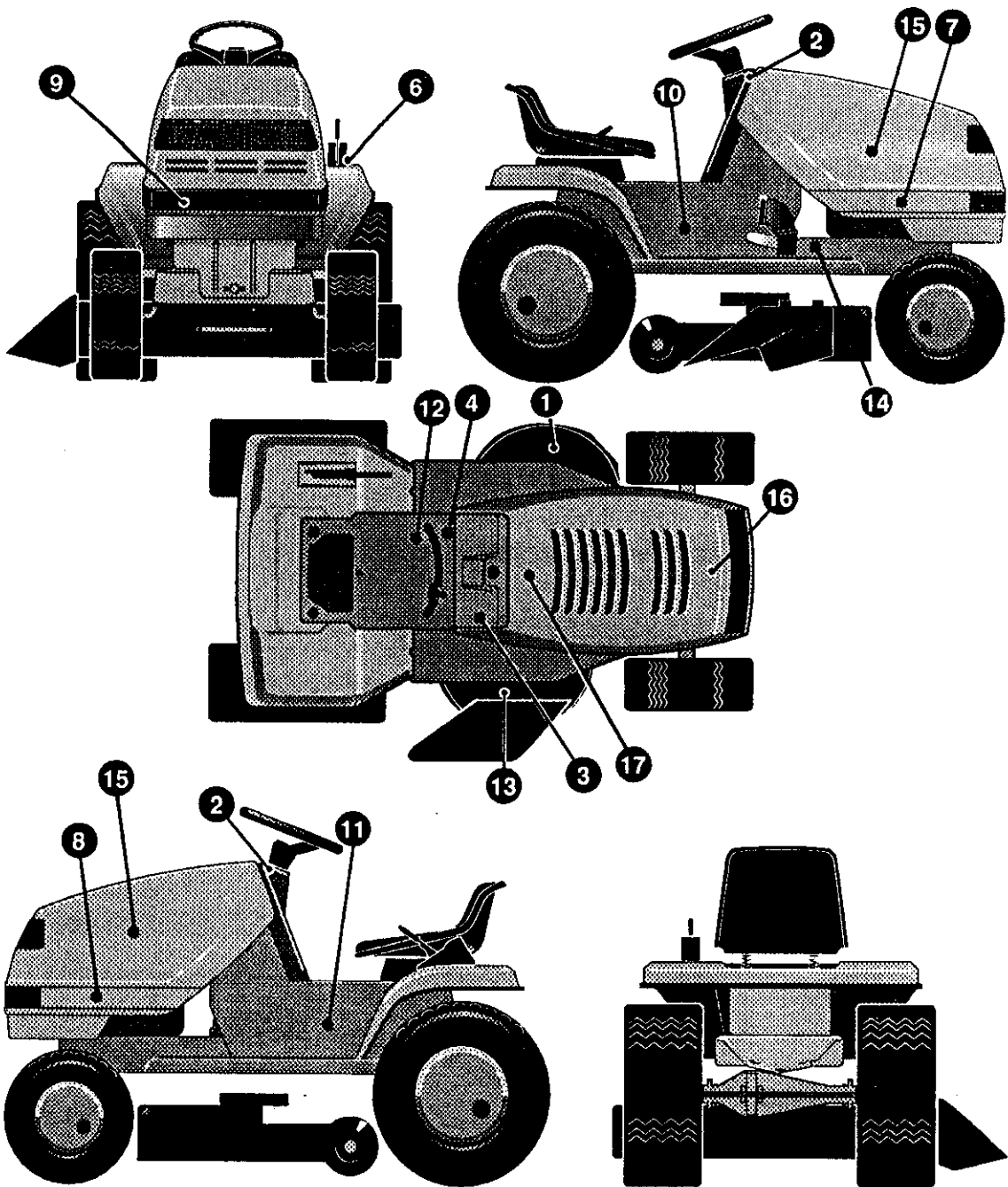
ALL UNNUMBERED ITEMS ARE INTERCHANGEABLE WITH OPPOSITE SIDE

325502 D

KEY#	PART#	DESCRIPTION	QTY
1	320065	HARNES, 12-12.5HP, B&S, H14, WRAP, LF	1
2	41482	PRESS CLIP, 1.380 LONG .255 ID	1
3	303064	ASSEMBLY, LIGHT WIRE-1/4 TURN	1
4	52572	BULB, HEADLAMP	2
5	57444	TIE, CABLE BLACK NYLON, 5.62 LONG	3
6	41482	PRESS CLIP, 1.380 LONG .255 ID	2
7	327355	SWITCH-IGNITION AFTER FIRE) 3 POSITION	1
8	327352	NUT, 5/8-8 ACME DELTA FOR BOOT	1
9	327350	KEY, IGNITION	2
10	300133	AMMETER	1
11	300334	LIGHT SWITCH, ON/OFF PANEL MOUNT	1
12	320082	SWITCH, DOUBLE POLE, NO/NC GRAY	1
13	57444	TIE, CABLE BLACK NYLON, 5.62 LONG	1
14	57476	SWITCH, SCREW MOUNT, DP NC NO, BLACK	1
15	57220	SCREW, #12 X .50 PHPNHTAP, BLACK	2
16	53716	SOLENOID	1
17	187745	SCREW, 1/4-20 X .75 HXSEMMA	2
18	1502	NUT, 1/4-20 REGHEXCTRLK	2
19	271172	NUT, 1/4-20 REGHEXKEPS	1
20	138485	WASHER, EXLK .320 X .61 X .03	2
21	120368	NUT, 5/16-24 REGHEX	2
22	57444	TIE, CABLE BLACK NYLON, 5.62 LONG	1
23	55511	WIRE, GROUND, 12.5"	1
24	271184	NUT, 5/16-18 HEXKEPS	1
25	57547	SWITCH, SEAT	1
26	160505	SCREW, 1/4-20 X .38 PHPNHMA	2
27	302257	BATTERY, 12V	1
28	57551	ROD, BATTERY	1
29	57552	ROD, BATTERY, TOP	1
30	325232	NUT, WING 1/4-20 NYLON	1
31	180020	SCREW, 1/4-20 X .75 HHC	2
32	271172	NUT, 1/4-20 REGHEXKEPS	2
35	91895	TRAY - BATTERY	1

SCHEMATIC DRAWING





KEY#	PART#	DESCRIPTION	QTY
1	402700	DECAL, CAUTION DECK, LH	1
2	313210	DECAL, DASH WEAR STRIP, BLACK	2
3	321765	DECAL, LF, DASH, PTO/LIGHT SWITCH, EXP	1
4	301104	DECAL, CONSOLE, TOP SHIFT, 5-SP	1
6	402214	DECAL, HEIGHT ADJUST	1
7	402328	DECAL, HOOD, (RH) LF	1
8	402329	DECAL, HOOD, (LH) LF	1
9	322700	DECAL, TAPE H14 8MIL VINYL	1
10	402330	DECAL, CONSOLE, (RH), 12.5/43	1
11	402331	DECAL, CONSOLE, (LH), 12.5/43	1
12	402689	DECAL, CONSOLE SYMBOLIC, CAUTION	1
13	402701	DECAL, CAUTION DECK RH, CUT HAND	1
14	402702	DECAL, BRAKE/CLUTCH	1
15	305603	PAD, 18 X 6 FOAM HOOD	2
16	305602	FOAM, HOOD 4 X 15	1
17	307277	PAD, 12 X 4 FOAM HOOD	1