

Tigs

D3554-110

REPAIR PARTS MANUAL

40" - 12.5 H.P. LAWN TRACTOR

MODEL D3554-360

ONE YEAR LIMITED WARRANTY

For one (1) year from date of purchase by the first consumer for residential use (thirty (30) days commercial use), NOMA Outdoor Products Incorporated warrants that it will replace free of charge, including labor, any original part of any NOMA Outdoor Products Incorporated product found to be defective by any authorized Service Dealer or the factory, except the battery which is warranted for ninety (90) days from date of purchase.

This warranty does not cover engine, transmission, transaxle or differential (these items are covered by their manufacturer's own warranty). This warranty does not cover parts that have failed due to normal wear or parts that have failed subject to misuse or abuse. Transportation of the unit or part to and from an authorized Service Dealer or factory is the responsibility of the owner.

A step by step explanation as to what procedure should be followed for this warranty is:

1. If a part becomes defective, contact the store where the unit was purchased for the name and address of the authorized Service Dealer nearest to you.
2. If you cannot locate an authorized Service Dealer, write Service Department of NOMA Outdoor Products Incorporated for the name and address of the authorized Service Dealer in your area or call the Service Department at 1-901-422-1690.
3. Return the defective product, along with proof of purchase to such authorized Service Dealer for replacement of any defective part where covered by this warranty.

There is no other express warranty. Implied warranties, including those of merchantability and fitness for a particular purpose are limited to one (1) year from date of purchase. Liability for incidental or consequential damages are excluded.

Some states do not allow limitations on how long an implied warranty lasts, so the above limitation may not apply to you. Some states do not allow the exclusion of incidental or consequential damages, so the above exclusion may not apply to you. This warranty gives you specific legal rights, and you may have other rights which vary from state to state.

NOMA Outdoor Products Incorporated Caller 8000 Jackson, TN 38308-8000

UNIT PARTS AND SERVICE

Fill in and mail the registration card packed with the unit. For service other than covered in this manual, contact an authorized service dealer. A nationwide parts and service organization has been established to provide locally available parts and service. A list of authorized parts distributors has been included in this manual. When ordering repair parts, always give the following information: 1. The Part Name; 2. The Part Number; 3. The Quantity desired; 4. The Full (eight digit) Model Number of the unit. The model number will be found on a plate attached to the unit.



Look for this symbol. **It means - ATTENTION! BECOME ALERT! A HAZARD TO OPERATOR, BYSTANDER, PROPERTY OR EQUIPMENT MAY EXIST.**

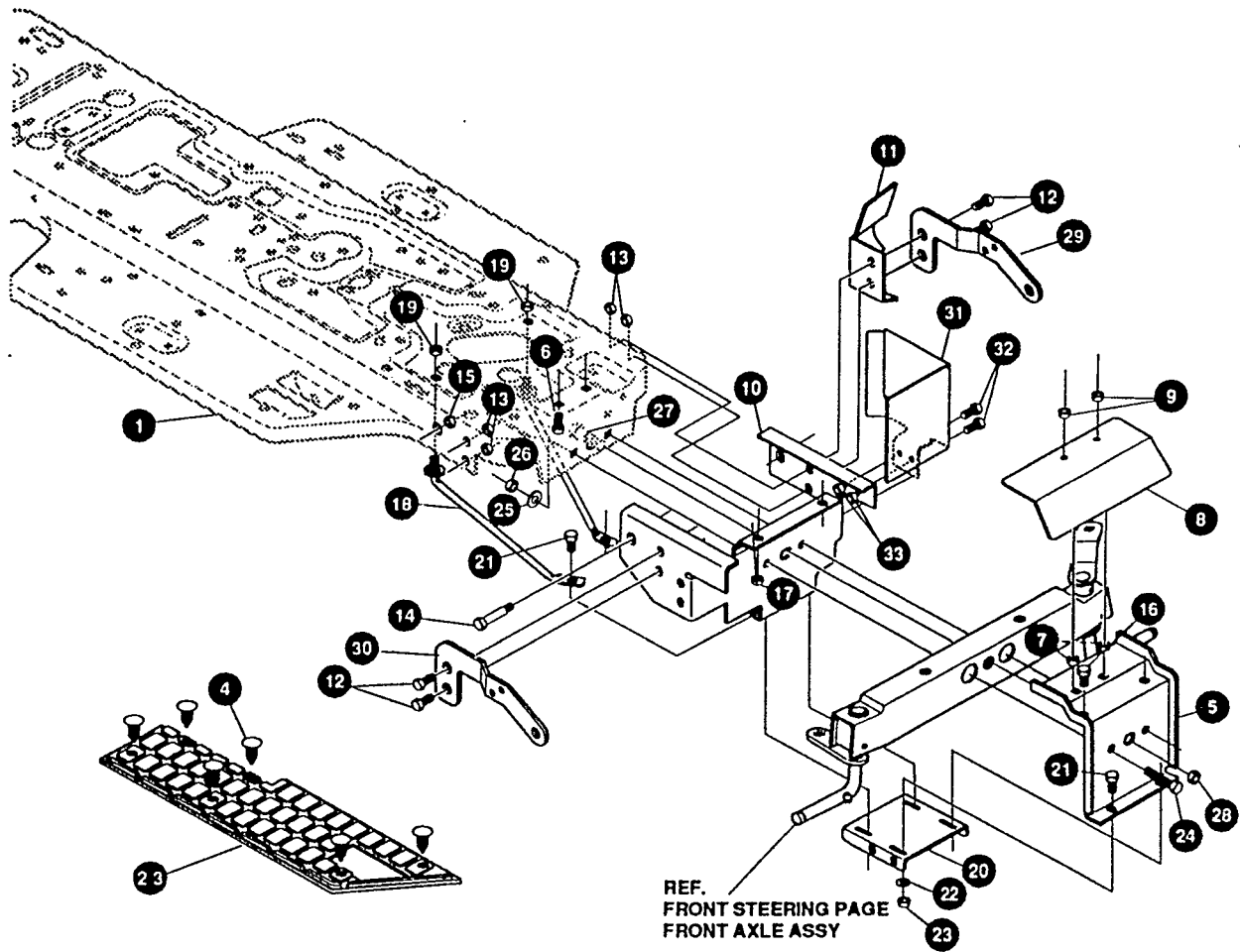
NOMA Outdoor Products Incorporated
 Caller 8000
 Jackson, TN 38308-8000

Part No. 329764 JEU

5/93

40" LAWN TRACTOR MODEL D3554-360

CHASSIS & HOOD ASSEMBLY



NOTE: ALWAYS USE ORIGINAL EQUIPMENT PARTS. Use of service/replacement parts other than original equipment parts may void your warranty.

ALL UNNUMBERED
ITEMS ARE INTERCHANGEABLE
WITH OPPOSITE SIDE

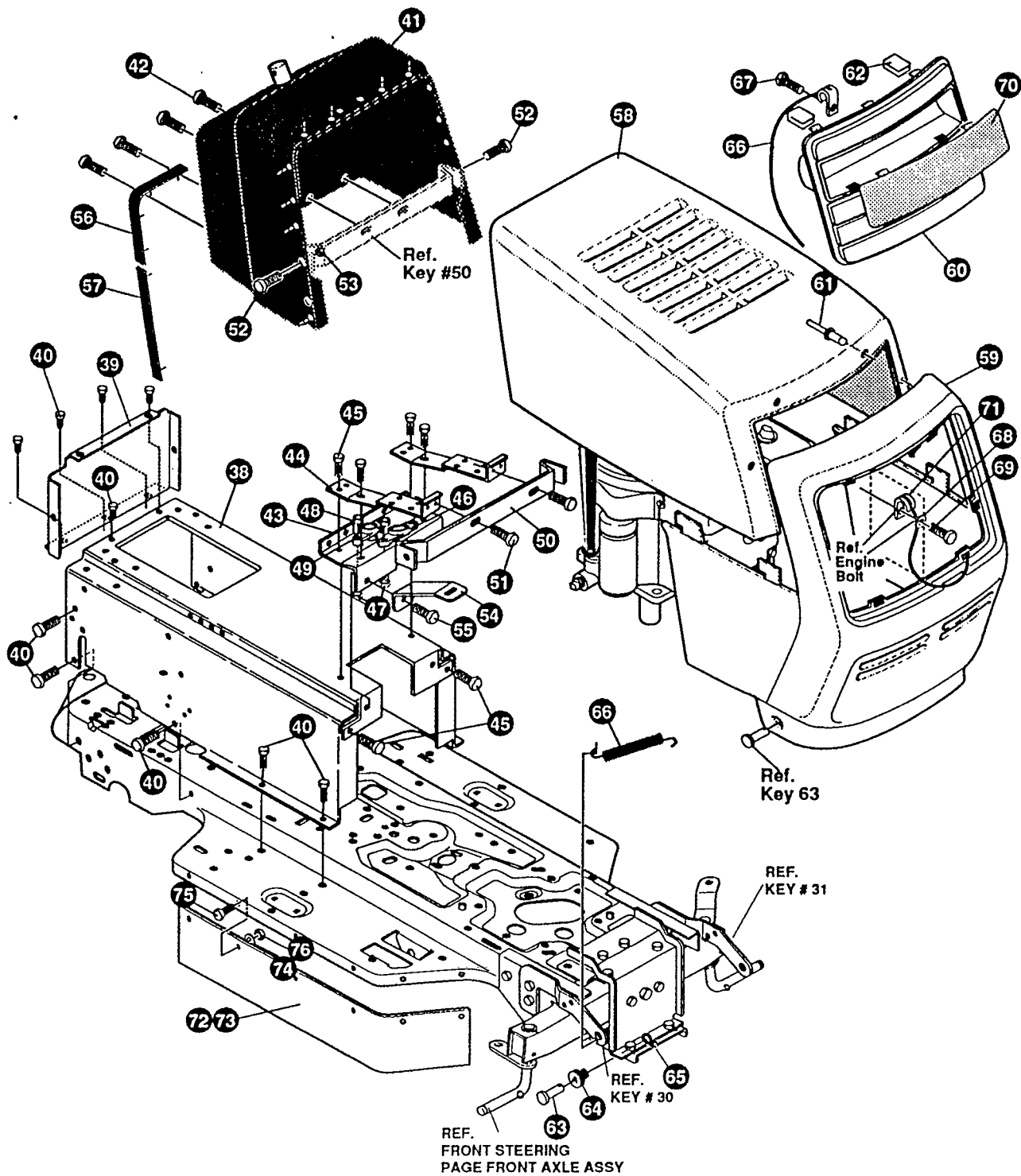
329335A

40" LAWN TRACTOR MODEL D3554-360

KEY#	PART#	DESCRIPTION	QTY.
1.	328885-879	FRAME, MAIN SF RIDER	1
2.	310003	FOOT PAD, LH SF MOLDED	1
3.	310004	FOOT PAD, RH SF MOLDED	1
4.	309235	FASTENER, RATCHET BLACK	12
5.	324815-879	BRACKET, SF FRNT XL UP SUPP	1
6.	327744	BOLT, 3/8-16X1.25 CARR GR5Z	2
7.	1500	NUT, 1/2-13 REGHCTRLK Z	2
8.	327414-853	SHIELD HEAT SF B&S	1
9.	1499	NUT, 3/8-16 REGHXCTRLK Z	2
10.	324816-879	BRACKET, SF FRNT XL LO SUPP	1
11.	327687-853	SHIELD HEAT SF B&S	1
12.	328154	SCREW, 5/16-18X1.00 HHC	4
13.	55273	NUT, 5/16-18HXWDFLLK	4
14.	123567	SCREW, 7/16-20X1.00 HHC GR2	2
15.	1282	NUT, 7/16-20 WDFLLK	2
16.	122007	SCREW, 5/16-18X.75 HHC	2
17.	1498	NUT, 5/16-18 REGHEXCTRLK	2
18.	326297	ROD, SUPPORT FRAME SF	2
19.	1499	NUT, 3/8-16 REGHXCTRLK	2
20.	326296-879	BRACKET FRONT HANGER	1
21.	180077	SCREW, 5/16-18X.75 HHC GR5	4
22.	120393	WASHER, FLAT .344X.69X.065	4
23.	1498	NUT, 5/16-18 REGHEXCTRLK	4
24.	122201	SCREW, 3/8-16X2.75 HHC GR2	2
25.	2483	WASHER, .391DX1.25DX.07 BELLVIL	2
26.	1499	NUT, 3/8-16 REGEHXCTRLK	2
27.	29616	BOLT, .625X1.890HSH 1/2-20	1
28.	274654	NUT, 1/2-20 REGHXCTRLK	1
29.	326873-853	BRACKET GRILLE LH	1
30.	326874-853	BRACKET GRILLE RH	1
31.	326848-853	SHIELD, HEAT SF	1
32.	180016	SCREW, 1/4-20X.50 HHC	2
33.	51335	NUT, 1/4-20 WDFLWHIZ-LK	2
	329598	ENGLISH OPERATOR MANUAL (NOT ILLUSTRATED)	
	329599	FRENCH OPERATOR MANUAL (NOT ILLUSTRATED)	
	329600	GERMAN OPERATOR MANUAL (NOT ILLUSTRATED)	
	329764	ENGLISH PARTS MANUAL (NOT ILLUSTRATED)	
	327707	GRASS CATCHER MANUAL (NOT ILLUSTRATED)	
	328195	AIR ASSIST MANUAL (NOT ILLUSTRATED)	

40" LAWN TRACTOR MODEL D3554-360

CHASSIS & HOOD ASSEMBLY



NOTE: ALWAYS USE ORIGINAL EQUIPMENT PARTS. Use of service/replacement parts other than original equipment parts may void your warranty.

ALL UNNUMBERED ITEMS ARE INTERCHANGEABLE WITH OPPOSITE SIDE

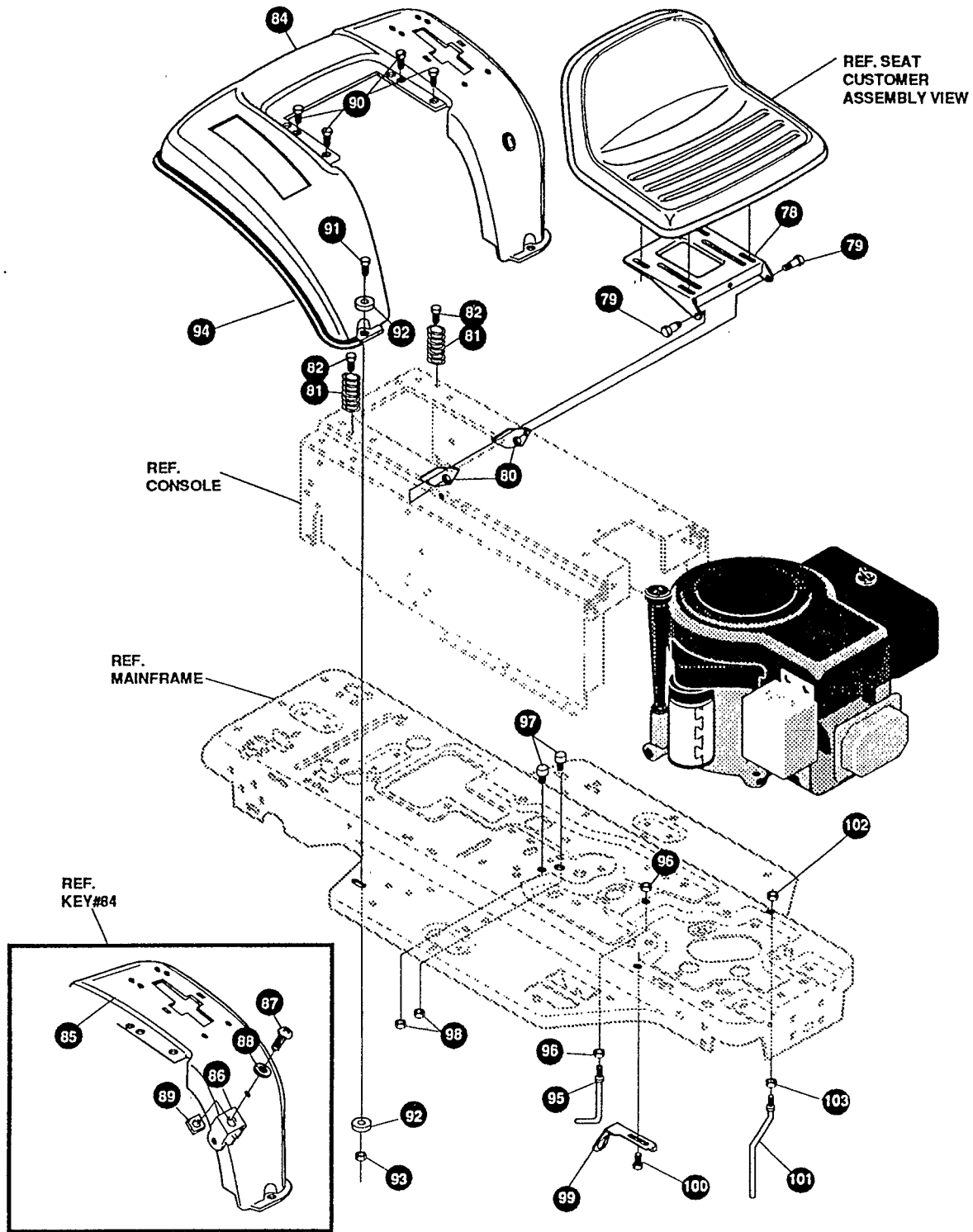
329335A

40" LAWN TRACTOR MODEL D3554-360

KEY#	PART#	DESCRIPTION	QTY.
38.	324996-830	CONSOLE, SF MOLDED DASH H-25	1
39.	56235-830	CONSOLE, REAR COVER	1
40.	995346	SCREW, 1/4-20X.50 WAHHTAP	15
41.	325766	DASH, SF, W/O AMP, W/O CHK GRY 630	1
42.	305850	SCREW, 1/4-20X.50 PHPNTAPGR5BKZ	4
43.	327583-853	MP SUPPORT, SF MLD DSH	1
44.	327584-853	MP SUPPORT, SF MLD GAS TANK	2
45.	995346	SCREW, 1/4-20 X.50 WAHHTAPZ	6
46.	327444	BRNG, FL .755ID, .226 MTNG HOLES	1
47.	120518	BOLT, 1/4-20X .75 CARR GR2 Z	4
48.	1502	NUT, 1/4-20 REGHEXCTRLK	4
49.	327390	BRNG, FL .560ID, .228 MTG HOLES	1
50.	327078-853	STRAP, DASH SUPPORT SF	1
51.	995346	SCREW, 1/4-20X.50 WAHHTAPZ	2
52.	155941	SCREW, 10-24X.63 PHFLTMAZ	2
53.	308459	NUT, #10-24 HXHDNYLKZ	2
54.	328924	CONSOLE SUPPORT BRKT	2
55.	995346	SCREW, 1/4-20X.50 TAP	2
56.	328141	BUMPER, HOOD /DASH TOP & CORNER	2
57.	328142	BUMPER, HOOD/DASH SIDE STRIP	2
58.	329145	HOOD, H25 LF/SF, MOLDED, LOUVERS	1
59.	329178	'K' GRILLE, G-22 MOLDED PLSTK	1
60.	329144	INSERT, GRILLE G22 'K' STYLE	1
61.	329238	RIVET, POP 3/16DIA X.75 LG FLG	4
62.	306857	CLIP, TINNEMAN VER II HOOD	7
63.	323044	PIN, CLEVIS .500X .49/.51LGTH	2
64.	326522	BEARING HOOD .505ID X .625OD X 1.12FL	2
65.	8260	PIN, HAIR .091 DIA X 1.66LGZ	2
66.	315899	LANYARD, HOOD 15.00 LG H15 VANG.	1
67.	309813	SCREW, 10-14X.63, PLASTIC	1
68.	120380	WASHER, REGSPTLK .263X.49X.07Z	1
69.	180018	SCREW, 1/4-20X.62 HHC GRD 5Z	1
70.	325194	LENS, G22 'K' STYLE	1
71.	301452	FOIL, HEAT REFLECTOR	1
72.	305395	BELT GUARD SF RUBBER 7X25.46	1
73.	305427	BELT GUARD SF-NOTCH 7X25.46	1
74.	1501	WASHER, FLAT .203X .56X .040Z	12
75.	57034	SCREW, 10-24X .63 TRHMA GR2BK	12
76.	271166	NUT, #10-24 HEXKEPSZ	12

40" LAWN TRACTOR MODEL D3554-360

CHASSIS & HOOD ASSEMBLY



NOTE: ALWAYS USE ORIGINAL EQUIPMENT PARTS. Use of service/replacement parts other than original equipment parts may void your warranty.

ALL UNNUMBERED ITEMS ARE INTERCHANGEABLE WITH OPPOSITE SIDE

329335A

40" LAWN TRACTOR MODEL D3554-360

KEY#	PART#	DESCRIPTION	QTY.
78.	58967-879	PLATE, SEAT	1
79.	20507	BOLT, .437X.156 HSH 5/16-18	2
80.	1498	NUT, 5/16-18 REGHEXCTRLK	2
81.	58220	SPRING, 1.43X2.38X.162 COM SEAT	2
82.	1341	CLAMP SPRING 1.17" ID	2
83.	885348	SCREW, 1/4-20X.50 WAHTAP	2
84.	*	FENDER ASSEMBLY	1
85.	321158-879	FENDER	1
86.	9239	CLEVIS	1
87.	439455	SCREW, 5/16-18X.56 PHPNMA BLK PH	1
88.	301551	WASHER, .344IDX1.50DX .08CU ZN	1
89.	120373	NUT, 5/16-18 SQ	1
90.	885348	SCREW, 1/4-20 X .50 WAHTAP	4
91.	122007	SCREW, 5/16-18 X .75 HHC	2
92.	446363	WASHER, .375 X .88 X .082	4
93.	1498	NUT, 5/16 REGHEXCTRLK	2
94.	55023	TRIM STRIP BLACK SMALL W/ADH	75'
95.	328630	ROD, ASSY W/PLATE	1
96.	1499	NUT, 3/8-16 REGHEXCTRLK	2
97.	53446	PIN, 5/16-18 HOOD LATCH	2
98.	271184	NUT, 5/16-18 HEXKEPS	2
99.	302610-853	BRACKAET, SWITCH MOUNTING	1
100.	885348	SCREW, 1/4-20 X .50 WAHTAP	1
101.	50653	GUIDE, BELT	1
102.	41529	NUT, 3/8-16 HEXCTRLKJAM	1
103.	271190	NUT, 3/8-16 HEXKEPS	2

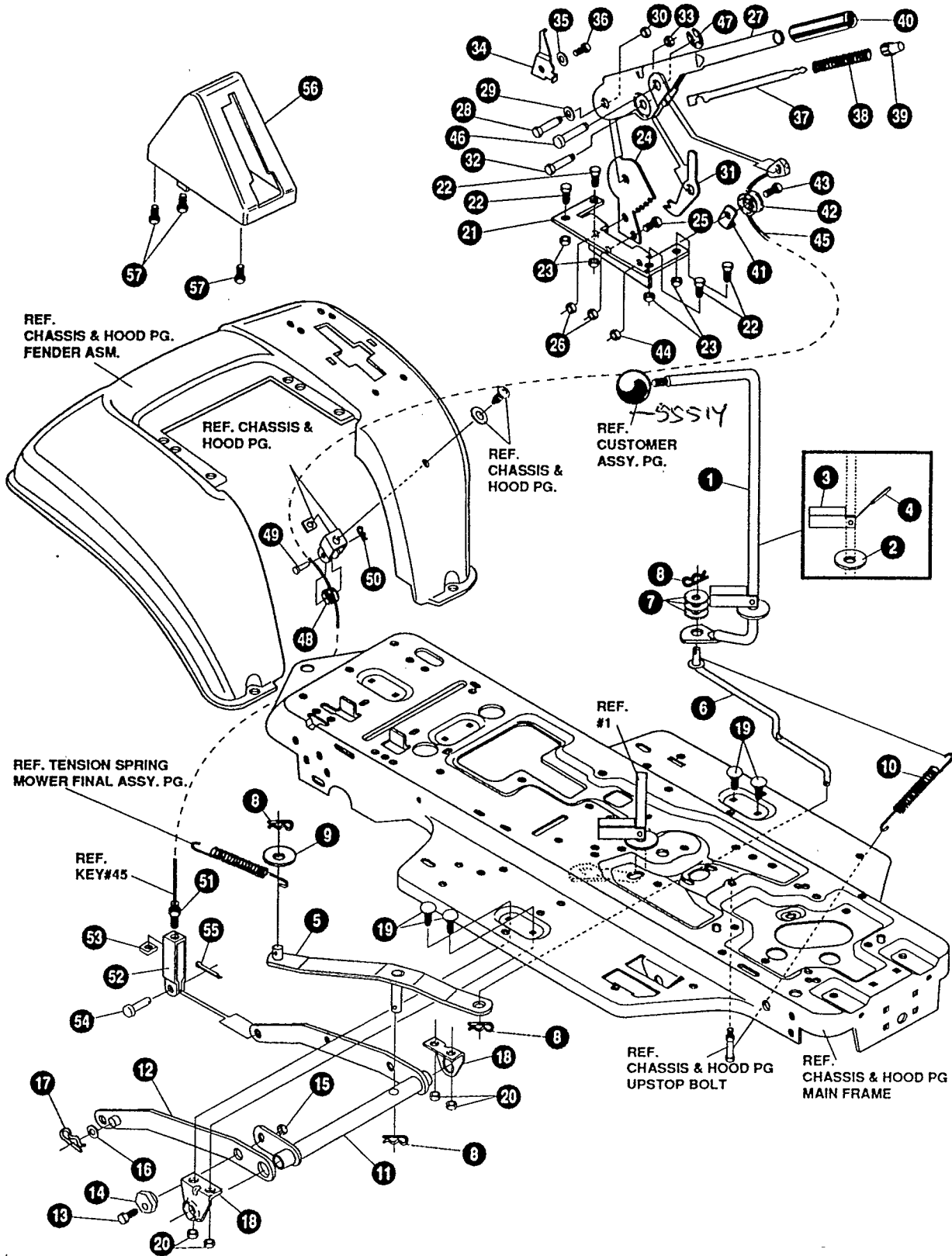
* ORDER INDIVIDUAL PARTS.

9.5.94

Attn: Mr. Kurt Bjorkvall

40" LAWN TRACTOR MODEL D3554-360

MOWER SUSPENSION



NOTE: ALWAYS USE ORIGINAL EQUIPMENT PARTS. Use of service/replacement parts other than original equipment parts may void your warranty.

ALL UNNUMBERED ITEMS ARE INTERCHANGEABLE WITH OPPOSITE SIDE

329040

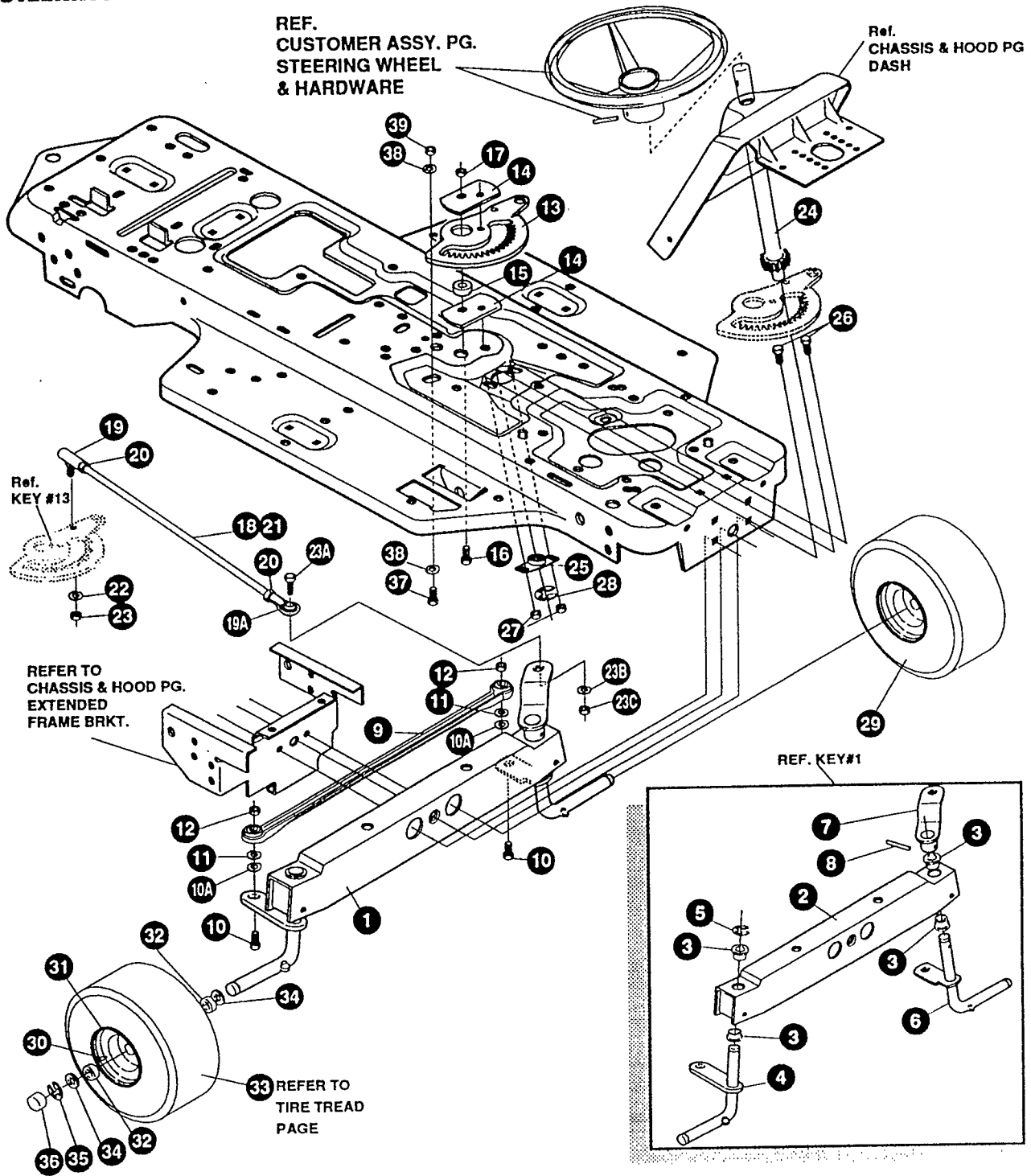
40" LAWN TRACTOR MODEL D3554-360

KEY#	PART#	DESCRIPTION	QTY.
1	325593	HANDLE, RH PTO	1
2	22265	• WASHER, FLAT .515X1.38X.119PL	1
3	305225	STOP, PTO ENGAGEMENT	1
4	326386	PIN, SPRING. 187DIA X1.00LG HVPL	1
5	325587-853	WS STRAP ASSY, PTO BELCRANK	1
6	325590	ROD, BELCRANK LINK	1
7	274517	FLAT WASHER .406X.73X.063	3
8	8260	HAIR PIN	4
9	25210	FLAT WASHER, .392X1.25X.09	1
10	325802	SPRING, .63X7.75X.0897 TENSION	1
11	326114-853	LIFT ASSY, LH	1
12	325130-853	LIFT ASSY, RH	1
13	180079	SCREW, 5/16 18X1.00 HHC	1
14	58247	• NUT, ADJUST	1
15	1498	• NUT, 5/16-18 REGHEXCTRLK	1
16	417098	• WASHER, FLAT .5331X1.06X.063	2
17	8260	PIN, HAIR .091 DIA X1.66LG	2
18	325495-853	BRACKET, REAR HANG SUSP	2
19	126211	BOLT, 5/16-18X.63 CARR GR2Z	4
20	1498	• NUT, 5/16-18 REGHEXCTRLK	4
21	313926	BRACKET, HEIGHT ADJUST	1
22	180077	• SCREW, 5/16-18X .75 HHC	4
23	1498	• NUT, 5/16-18 REGHEXCTRLK	4
24	301238	QUADRANT, HEIGHT ADJUST	1
25	180077	• SCREW, 5/16-18X .75 HHC	2
26	1498	• NUT, 5/16-18 REGHEXCTRLK	2
27	322292-853	HANDLE, LIFT SHORT	1
28	300171	• BOLT, .500X .270 HSH 5/16-18Z	1
29	996418	• WASHER, FLAT .506X .75X.024Z	1
30	44108	• NUT, 5/16-18 HWDFLCTRLK	1
31	301239	PAWL, SQUARE HTTR955	1
32	300171	• BOLT, .500X .270 HSH 5/16-18Z	1
33	44108	• NUT, 5/16-18 HWDFLCTRLK	1
34	9435	POINTER	1
35	138479	• WASHER, EXLK .195X.41X.03Z	1
36	35287	SCREW, #8-32X .38 HHWATAPGR2	1
37	303027	ROD, ACTUATOR-SHORT	1
38	58326	SPRING, HEIGHT ADJUST	1
39	58325	KNOB, HEIGHT ADJ PUSH BUTTON	1
40	58329	GRIP, .750 OD W/ HOLE BLACK	1
41	9149	CABLE RETAINING BRACKET	1
42	48306	PULLEY, POWDER METAL	1
43	58336	BOLT, .375X .375 HSH 1/4-20	1
44	1502	• NUT, 1/4-20 REGHEXCTRLK	1
45	321430	CABLE, LIFT 21.50- 30 " S.F.	1
46	300310	PIN, CLEVIS .310 DIA + .475 LG ZPL	1
47	300311	RING, RET E .31X .25TRUX5133-31	1
48	48306	PULLEY, POWDER METAL	1
49	300317	PIN, CLEVIS .375 DIA. X .81 LG	1
50	8260	PIN, HAIR .091 DIA. X 1.66 LG	1
51	120375	• NUT, 1/4-20 REGHEX	1
52	9405	CLEVIS, LIFT CABLE	1
53	120372	NUT, 1/4-20 REGSQ	1
54	39522	PIN, CLEVIS .312 X .812	1
55	121222	PIN, COTTER .090/.086X.75LG	1
56	300335	LIFT COVER-39" F5	1
57	300340	SCREW, #10 X .75 HHPLAST BLK	3

• STANDARD HARDWARE ITEMS

40" LAWN TRACTOR MODEL D3554-360

STEERING ASSEMBLY



NOTE: ALWAYS USE ORIGINAL EQUIPMENT PARTS. Use of service/replacement parts other than original equipment parts may void your warranty.

ALL UNNUMBERED ITEMS ARE INTERCHANGEABLE WITH OPPOSITE SIDE

329286A

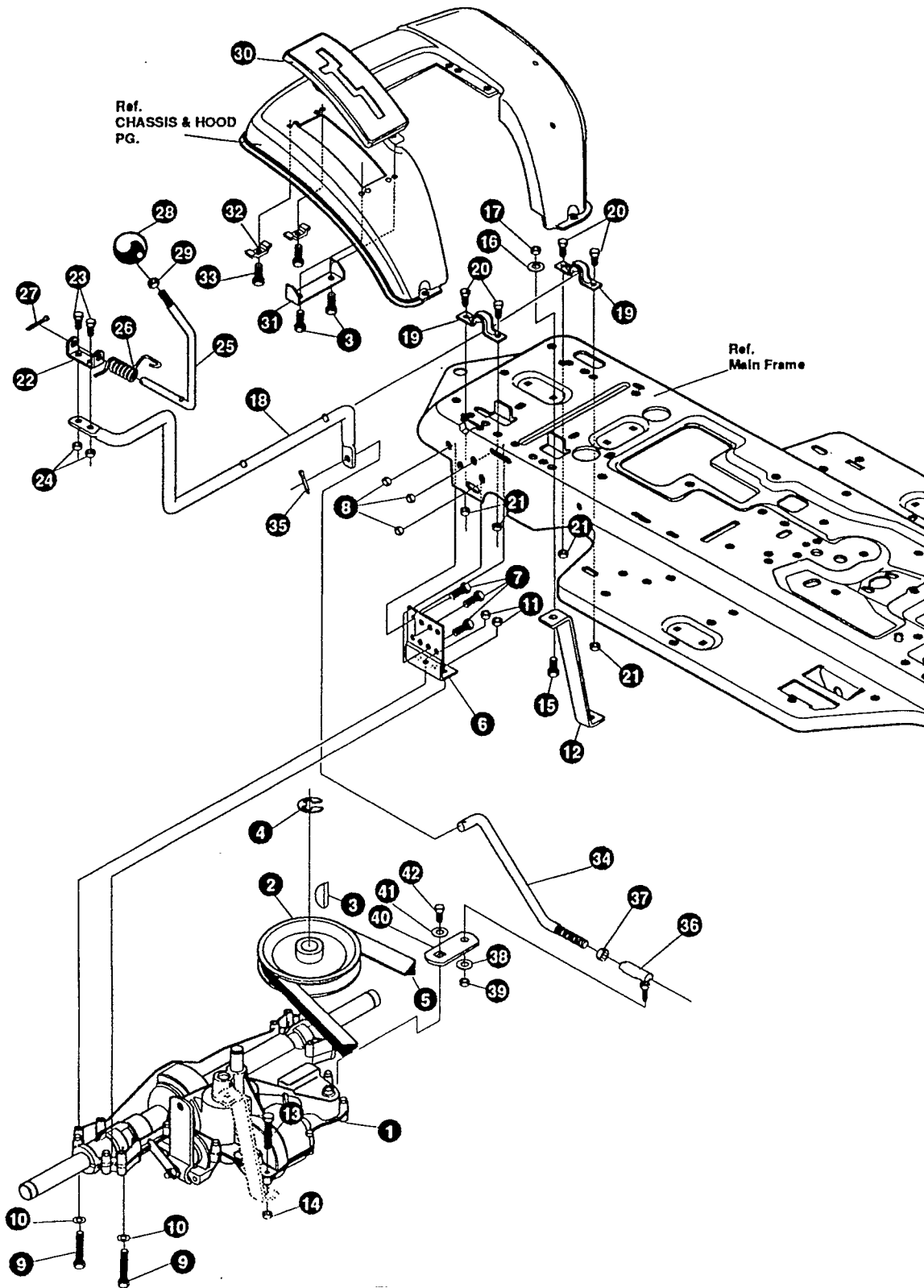
40" LAWN TRACTOR MODEL D3554-360

key#	part#	description	qty:
1.	*	FRONT AXLE ASSEMBLY SF	1
2.	312280	AXLE FRONT	1
3.	50546	BEARING FLANGE	4
4.	310368	SPINDLE,RH	1
5.	36625	RING,RETEX	1
6.	310367	SPINDLE,LH	1
7.	327620-879	ARM,ASSY, SF 4WS FRT. STEER	1
8.	454565	PIN,SPRING	1
9.	302688	TIE ROD	1
10.	* 120918	SCREW, 3/8-16X1.50 HHC	2
10A.	327611	WASHER, FLAT .391 x 1.00 x .194	2
11.	120382	WASHER, .393X.68X.10 REGSPTLK	2
12.	* 1499	NUT, 3/8-16 REGHCTRLK	2
13.	324752	SECTOR GEAR	1
14.	327833	PLATE, SECTOR	2
15.	324753	BUSHING, SECTOR	1
16.	180124	SCREW, 3/8-16X1.25 GR5	1
17.	1499	NUT 3/8-16 REGHX CTRLK	1
18.	326432	DRAG LINK ASSEMBLY	1
19.	57158	BALL JOINT	1
19A	304260	BALL JOINT	1
20.	* 124925	NUT, 3/8-24 REGHEXJAM	2
21.	325228	DRAG LINK	1
22.	* 120382	WASHER, EGSPTLK	1
23.	120369	NUT, 3/8-24 REGHEX	1
23A	122145	SCREW, 3/8-16x1.25 HHC	1
23B	120382	WASHER, EGSPTLK	1
23C	120377	NUT, 3/8-16 REGHX	1
24.	327395	STEERING SHAFT	1
25.	325692	BRNG FLANGE	1
26.	326505	SCR 1/4-20X.75	2
27.	46931	NUT 1/4-20 WDFL MAC LOCK	2
28.	20864	RING,RETEX .39X.04TRU5133	1
29.	*	ASSEMBLY, TIRE & RIM	2
30.	24167	VALVE STEM	1
31.	39829	WHEEL W/BEARING	1
32.	314416	BEARING, 1.380DX.753ID FLANGE	2
33.	*	REFER TO TIRE TREAD PAGE	
34.	642	WASHER, FLAT .755X1.31X.075	4
35.	36625	RING,RETEX .57X.05	2
36.	40394	HUB CAP	2
37.	122145	SCREW, 3/8-16X1.25	1
38.	120394	WASHER, FLAT	2
39.	44374	NUT, 3/8-16 HXWDFLLK	1

- * STANDARD HARDWARE ITEMS
- * ORDER INDIVIDUAL PARTS.

40" LAWN TRACTOR MODEL D3554-360

MOTION DRIVE ASSEMBLY



NOTE: ALWAYS USE ORIGINAL EQUIPMENT PARTS. Use of service/replacement parts other than original equipment parts may void your warranty.

ALL UNNUMBERED ITEMS ARE INTERCHANGEABLE WITH OPPOSITE SIDE

329282A

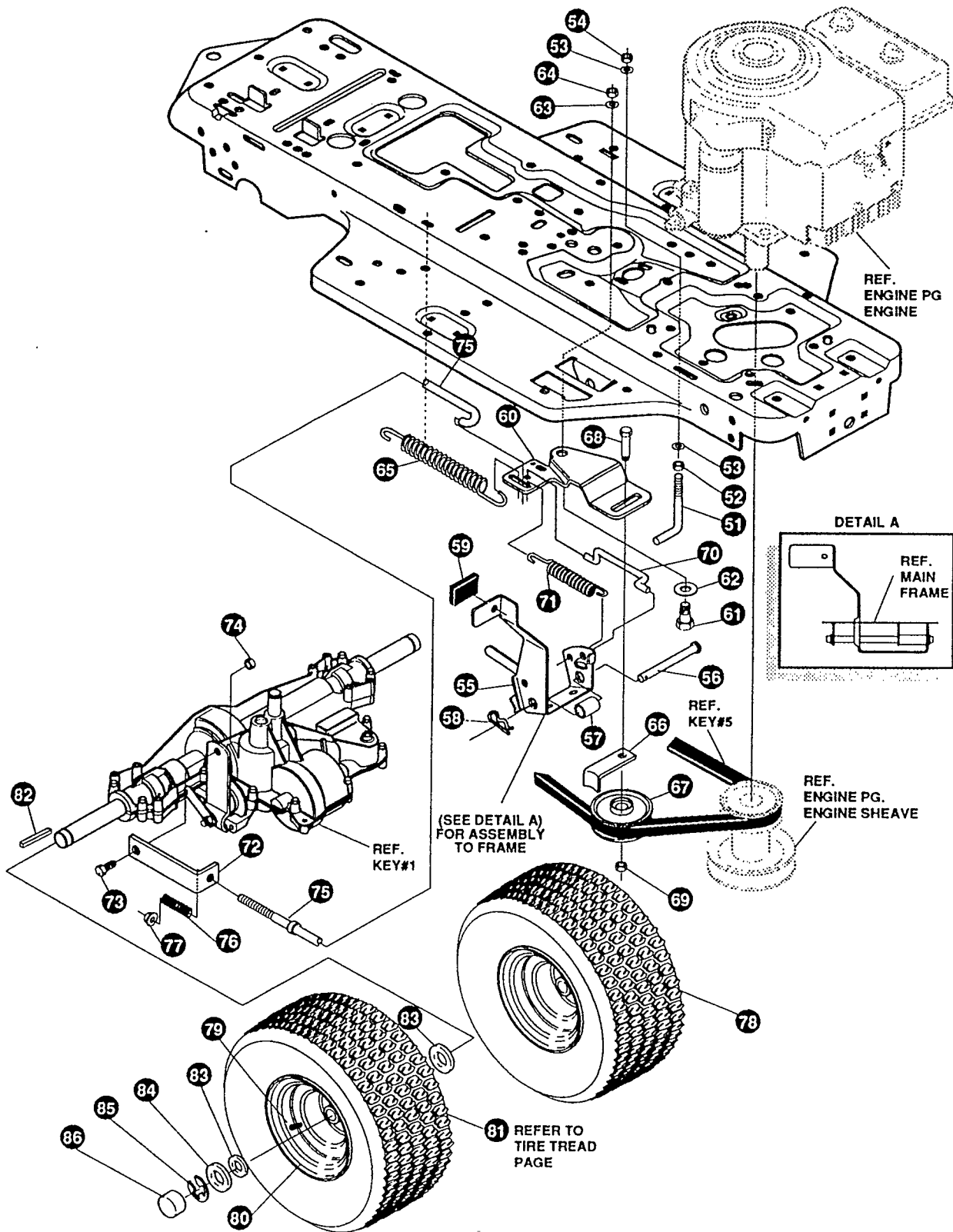
40" LAWN TRACTOR MODEL D3554-360

KEY#	PART#	DESCRIPTION	QTY.
1	*	TRANSAXLE P940-5SP SF FER	1
2.	302745	PULLEY, IDLER V4L 6.60X	1
3.	3021	KEY, WDRF 606 .750X.187X.312	1
4.	22053	RING, RETEX .58X.035TRU5100-62	1
5.	310275	BELT, V 4L 82.50 SF DRIVE	1
6.	326615-853	MP BRACKET, TRANSAXLE	2
7.	180075	SCREW, 5/16-18X .63 HHC GR2	6
8.	1498	NUT, 5/16-18 REGHEXCTRLK	6
9.	180089	SCREW, 5/16-18X2.25 HHC GR5	4
10.	120393	WASHER, FLAT .344X .69X.065	4
11.	1498	NUT, 5/16-18 REGHEXCTRLK	4
12.	323213	BRACKET, T/A TORQ. 915 S/F	1
13.	180087	SCREW, 5/16-18X2.00 HHC GR5	1
14.	1498	NUT, 5/16-18 REGHEXCTRLK	1
15.	122017	SCREW, 5/16-18X1.00 HHC GR2	1
16.	138485	WASHER, EXLK .320X.61X.03	1
17.	1498	NUT, 5/16-18 REGHEXCTRLK	1
18.	321849	LEVER, SHIFT LOW SF FNSFT	1
19.	302760	MS, MF CLAMP .625DIA	2
20.	180075	SCREW, 5/16-18X .63 HHC GR5	4
21.	1498	NUT, 5/16-18 REGHEXCTRLK	4
22.	310356	BRACKET, PIVOT SHIFT LEVER LFSF	1
23.	180018	SCREW, 1/4-20X .62 HHC GR5	2
24.	1502	NUT, 1/4-20 REGHEXCTRLK	2
25.	309635	LEVER, SHIFT UPPER SOF 1/2-13	1
26.	310265	SPRING, TORS. .56X.95X.095	1
27.	137185	PIN, COTTER .125 DIA X1.00LG	1
28.	304729	HANDLE 1/2-13 MOLDED GREY	1
29.	120238	NUT, 1/2-13 HEX JAM	1
30.	311209	COVER PLASTIC LF P930/F4360-6	1
31.	311257-853	BRACKET COVER F-5 FNDR SHIFT	1
32.	1341	CLAMP, SPRING 1.17"ID	2
33.	311331	SCREW, 1/4-15X.44/53 HILOHWA	4
34.	321844	ROD, CONNECTING, SHIFT ZINC	1
35.	137185	PIN, COTTER .125 DIA X1.00LG	1
36.	57158	BALL JOINT 3/8 THD SHORT STUD	1
37.	124925	NUT, 3/8-24 REGHEXJAM	1
38.	120382	WASHER, REGSPTLK.393X.68X.10	1
39.	120369	NUT, 3/8-24 REGHEX	1
40.	323212	BRKT, SHIFT LEVER S/F FND	1
41.	57157	WASHER, .750X.250 SP-TRANSAXLE	1
42.	56255	SCREW, 1/4-28X .75 NYLHHCGR8	1

* CONTACT YOUR NEAREST TRANSAXLE DEALER FOR PARTS AND SERVICE.

40" LAWN TRACTOR MODEL D3554-360

MOTION DRIVE ASSEMBLY



NOTE: ALWAYS USE ORIGINAL EQUIPMENT PARTS. Use of service/replacement parts other than original equipment parts may void your warranty.

ALL UNNUMBERED ITEMS ARE INTERCHANGEABLE WITH OPPOSITE SIDE

329282A

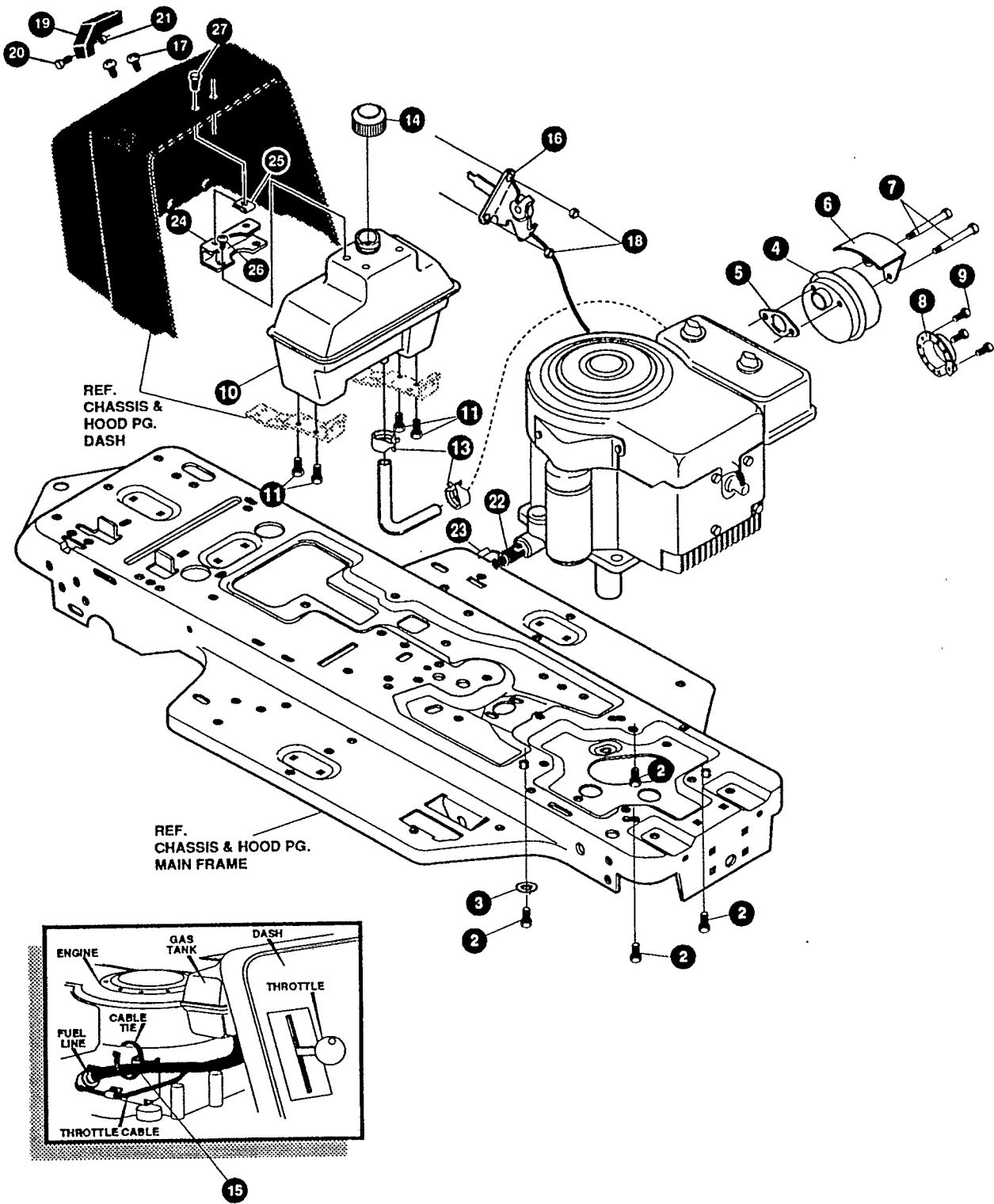
40" LAWN TRACTOR MODEL D3554-360

KEY#	PART#	DESCRIPTION	QTY.
51.	49896	BELT GUIDE	1
52.	271184	NUT, 5/16-18 HEXKEPS	1
53.	120393	WASHER, FLAT .344X .69X.065	2
54.	1498	NUT, 5/16-18 REGHEXCTRLK	1
55.	302603-853	SF ASSY,BRAKE PEDAL S.F.	1
56.	319676	PIN,CLEVIS .5 DIA,4.87LG,ZN PL	1
57.	302601	SPACER, SLEV .53 X .62X1.406	1
58.	56180	PIN, HAIR .091 DIA X 1.62LG	1
59.	48761	PAD, CLUTCH/BRAKE PEDAL	1
60.	321969	IDLER ARM BRKT TRACTION SF	1
61.	41890	BOLT, .625X .218 HSH 5/16-18	1
62.	4107	WASHER, FLAT .635X1.31X.07 PL	1
63.	45602	WASHER, FLAT .333X .87X.119	1
64.	1498	NUT, 5/16-18 REGHEXCTRLK	1
65.	327867	SPRING,3/4 ODX6.75X.091 TENSIO	1
66.	39659	RETAINER,BELT	1
67.	35374	PULLEY, IDLER V4L 3.06X .62	1
68.	45892	BOLT, 3/8-16X1.50 CARR GR2	1
69.	1499	NUT, 3/8-16 REGHXCTRLK	1
70.	43980	ROD, .268 DIA CLUTCH	1
71.	50562	SPRING,3/8ODX1.625X.055 TENSIO	1
72.	323210	BRACKET, TRACTION BRAKE S/F	1
73.	46824	BOLT, .500X .188 HSH 5/16-18Z	1
74.	1498	NUT, 5/16-18 REGHEXCTRLK	1
75.	323211	ROD, BRAKE 915 T/A SF RAW 999	1
76.	53820	SPRING, CLUTCH .625 OD	1
77.	50352	NUT, 1/4-20 WDFLLK TOPLOCK	1
78.	*	TIRE & RIM, PU 18X6.5X8TURFWHI	2
79.	24167	VALVE STEM	1
80.	326362	HUB, WHEEL	1
81.		REFER TO TIRE TREAD PAGE	1
82.	52928	KEY, SQUARE .187SQX2.25LG	2
83.	642	WASHER, FLAT .755X1.31X.075	4
84.	42815	WASHER, FLAT .755X1.53X.07	2
85.	36625	RING, RETEX .57X.05TRU5133-75	2
86.	40394	HUB CAP, 1.500ID X 7/8LG	2

* ORDER INDIVIDUAL PARTS.

40" LAWN TRACTOR MODEL D3554-360

ENGINE & CONTROL ASSEMBLY



NOTE: ALWAYS USE ORIGINAL EQUIPMENT PARTS. Use of service/replacement parts other than original equipment parts may void your warranty.

ALL UNNUMBERED ITEMS ARE INTERCHANGEABLE WITH OPPOSITE SIDE

329281B

40" LAWN TRACTOR MODEL D3554-360

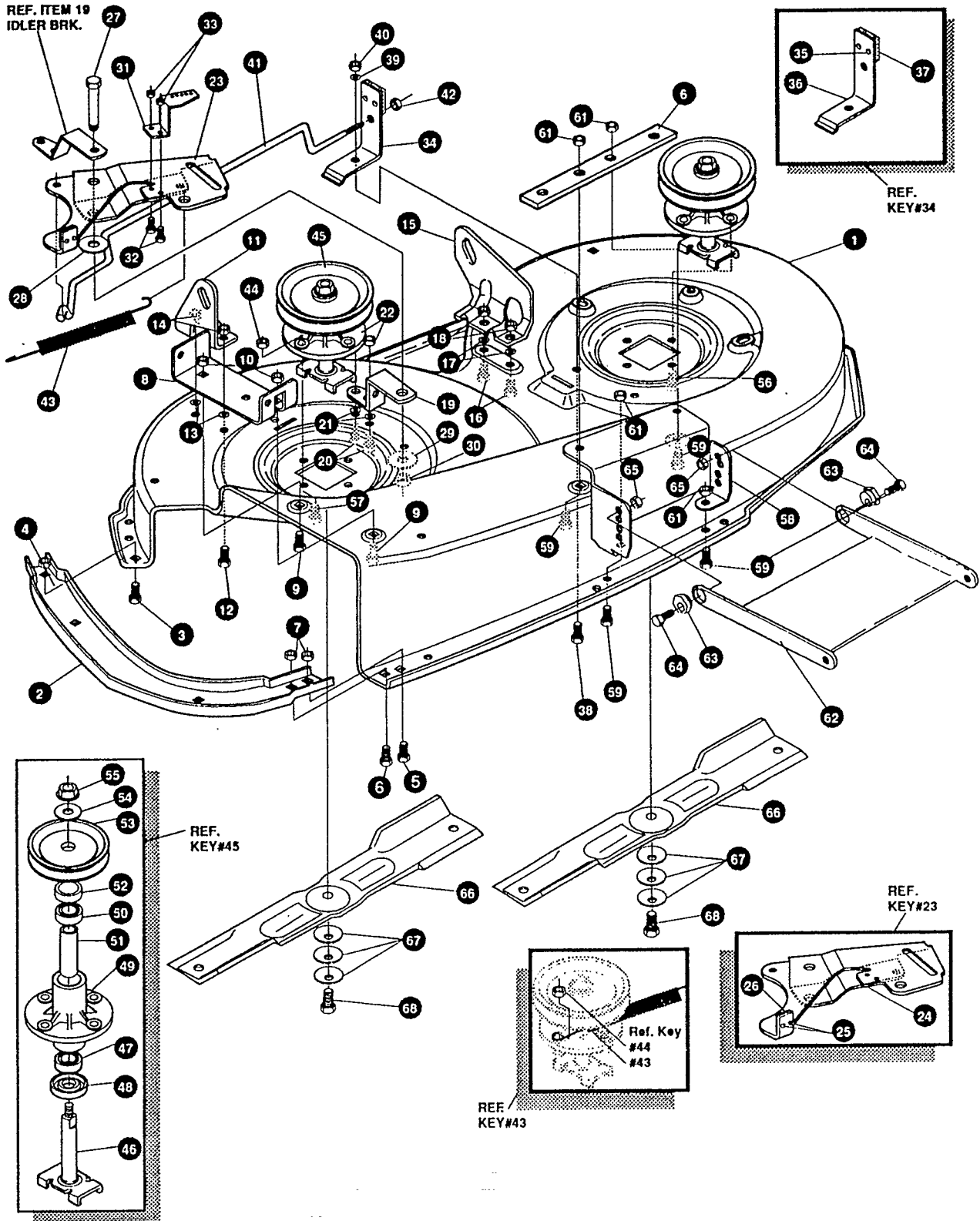
KEY#	PART#	DESCRIPTION	QTY.
1	*	ENGINE 12.5 BS I/C DUAL CIR	1
2	50947	SCREW, 3/8-16X1.25 WAHHTAP	4
3	138489	WASHER, EXLK .384X.69X.04	1
4	57908	MUFFLER NELSON LO-TONE	1
5	46708	GASKET, MUFFLER	1
6	54767	SHIELD, HEAT	1
7	173063	SCREW, 5/16-18X3.50 HHC	2
8	56472	DEFLECTOR SIDE OUT	1
9	35287	SCREW, 8-32X.38 HHWATAP	3
10	314989	TANK, FUEL 1 GALLON	1
11	49050	SCREW, 1/4-10 X .75 PHPNTAP	4
12	42258	GAS LINE .25ID BULK LENGTH	12"
13	47345	CLAMP, GAS LINE (1/2 DIA HOSE)	2
14	46704	GAS CAP	1
15	57444	CABLE TIE	1
16	303159	THROTTLE CONTROL	1
17	155941	SCREW, 10-24X .63 PHFLTMA	2
18	308459	NUT, #10-24 HXHDNYLK	2
19.	300508	KNOB, THROTTLE CONTROL GP SYTYLE	1
20.	159585	SCREW, 8-32X.38 PHPNMA	1
21.	120622	NUT, #8-32 REGHX	1
22.	325547	OIL DRAIN VALVE ASSEMBLY	1
23.	327422	CAP, OIL DRAIN VALVE ASM.	1
24.	328942-853	CENTER SUPPORT, PLASTIC DASH	1
25.	328685	TINNERMAN CLIP	2
26.	300303	SCREW, .25X.75X.51 HHWAPLASTITE	2
27.	274707	SCREW, 10-24X.50 WAHMY	2

* SEE ENGINE MANUAL.

40" LAWN TRACTOR MODEL D3554-360

PRE-PAINTED DECK

REF. ITEM 19
IDLER BRK.



NOTE: ALWAYS USE ORIGINAL EQUIPMENT PARTS. Use of service/replacement parts other than original equipment parts may void your warranty.

ALL UNNUMBERED ITEMS ARE INTERCHANGEABLE WITH OPPOSITE SIDE

329275B

40" LAWN TRACTOR MODEL D3554-360

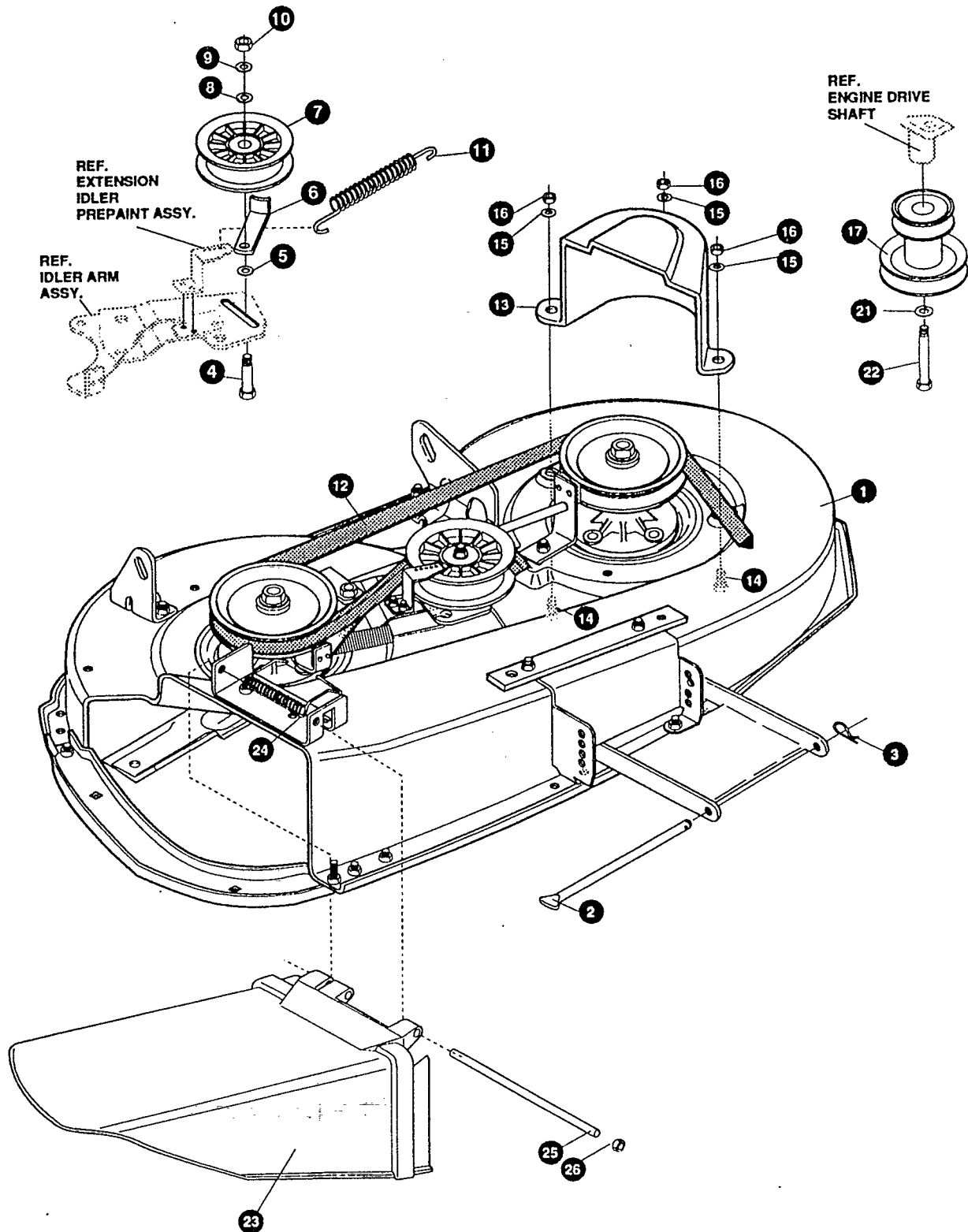
KEY#	PART#	DESCRIPTION	QTY.
1.	325103-853	MOWER DECKS, RIDER 40"	1
2.	326480-853	TOE GUARD MULCHER	1
3.	• 180075	SCREW, 5/16-18X .63 HHC	1
4.	• 1498	NUT, 5/16-18 REGHEXCTRLK	1
5.	• 180073	SCREW, 5/16-18X .50 HHC	1
6.	180081	5/16-18X1.25 HHC	1
7.	• 1498	NUT, 5/16-18 REGHEXCTRLK	2
8.	317017	BRACKET CHUTE MOUNT	1
9.	• 180075	SCREW, 5/16-18X .63 HHC	2
10.	• 1498	NUT, 5/16-18 REGHEXCTRLK	2
11.	325652-853	BRACKET,RH LIFT REAR	1
12.	180077	SCREW, 5/16-18X .75 HHC	2
13.	120393	WASHER, FLAT .344X .69X.065	2
14.	• 1498	NUT, 5/16-18 REGHEXCTRLK	2
15.	325653-853	BRACKET,LH LIFT REAR	1
16.	• 180077	SCREW, 5/16-18X .75 HHC	2
17.	120393	WASHER, FLAT .344X .69X.065	2
18.	• 1498	NUT, 5/16-18 REGHEXCTRLK	2
19.	326893-853	BRACE IDLER	1
20.	• 180077	SCREW, 5/16-18X .75 HHC	2
21.	120393	WASHER, FLAT .344X .69X.065	2
22.	44108	NUT, 5/16-18 HWDFLCTRLK	2
23.	320576-853	IDLER ARM ASSEMBLY	1
24.	322116-853	ARM IDLER 40"DECK EURO	1
25.	41601	RIVET, OVSET .187DIA X .50	2
26.	306973	BRAKE PAD - HARD	1
27.	304420	BOLT, .500X2.15 HXHDCPSH	1
28.	996307	WASHER, FLAT .391X1.00X.209	1
29.	996416	WASHER, FLAT .391X1.00X.125	2
30.	45171	NUT, 3/8-16 HWDFL WHIZ-LOCK	1
31.	326249-853	BRACKET, EXTENSION IDLER	1
32.	180075	SCREW, 5/16-18 X .63 HHC	2
33.	1498	NUT, 5/16-18 REGHEXCTRLK	2
34.	321828	BLADE BRAKE ASSY.	1
35.	135624	RIVET, TRSET .185DIA X .41LG	2
36.	304119-853	BRAKE ARM	1
37.	306973	BRAKE PAD	1
38.	• 120228	SCREW, 5/16-18X .63 HHC	1
39.	120393	WASHER, FLAT .344X .69X.065	1
40.	• 1498	NUT, 5/16-18 REGHEXCTRLK	1
41.	315396	ROD, BRAKE, FOR AIR ASSIST	1
42.	1502	NUT, 1/4-20 REGHEXCTRLK	1
43.	35410	SPRING .071 X .62 X 4.37	1
44.	• 1498	NUT, 5/16-18 REGHEXCTRLK	1
45.	56424-853	QUILL ASSY, 36/39/40/43	2.
46.	56425	SHAFT/SADDLE 36"	1
47.	49562	BRNG, BALL .669IDX1.575ODX.472	1
48.	50616	DUST SHIELD	1
49.	55547	QUILL CASTING (1046)	1
50.	49562	BRNG, BALL .669IDX1.575ODX.472	1
51.	50818	SPACER, SLEV .669X .88X3.797	1
52.	51449	SPACER, SLEV .672X .93X .438PM	1
53.	313898	PULLEY,26/36" QUILL	1
54.	56365	WASHER, SPECIAL QUILL	1
55.	1282	NUT, 7/16-20 WDFLLK	1
56.	50634	SCREW, 5/16-18X .88 WAHTAP	7
57.	300345	SCREW, 5/16-18X1.38 WATAP	1
58.	318445	BRACKET,40 LF FRONT DECK	1
59.	• 180075	SCREW, 5/16-18X .63 HHC	4
60.	• 328155-853	PLATE MOUNT, AIR ASSIST	1
61.	1498	NUT, 5/16-18 REGHEXCTRLK	4
62.	58305-853	BRACKET,LINK DECK FRONT	1
63.	58247	ADJUSTING NUT	2
64.	• 122017	SCREW, 5/16-18X1.00 HHC	2
65.	• 1498	NUT, 5/16-18 REGHEXCTRLK	2
66.	309070	BLADE, 40" HI-LIFT 20.324	2
67.	2483	WASHER, .39IDX1.25DX.07 BELLVIL	6
68.	39573	SCREW, 3/8-24X1.00 NYLHHC	2

• Indicates STANDARD HARDWARE ITEMS.

40" LAWN TRACTOR MODEL D3554-360

FINAL DECK ASSEMBLY

SEE DWG. 329275 FOR PARTS ASSY.
OF PAINTED DECK



NOTE: ALWAYS USE ORIGINAL EQUIPMENT PARTS. Use of service/replacement parts other than original equipment parts may void your warranty.

ALL UNNUMBERED ITEMS ARE INTERCHANGEABLE WITH OPPOSITE SIDE

329276B

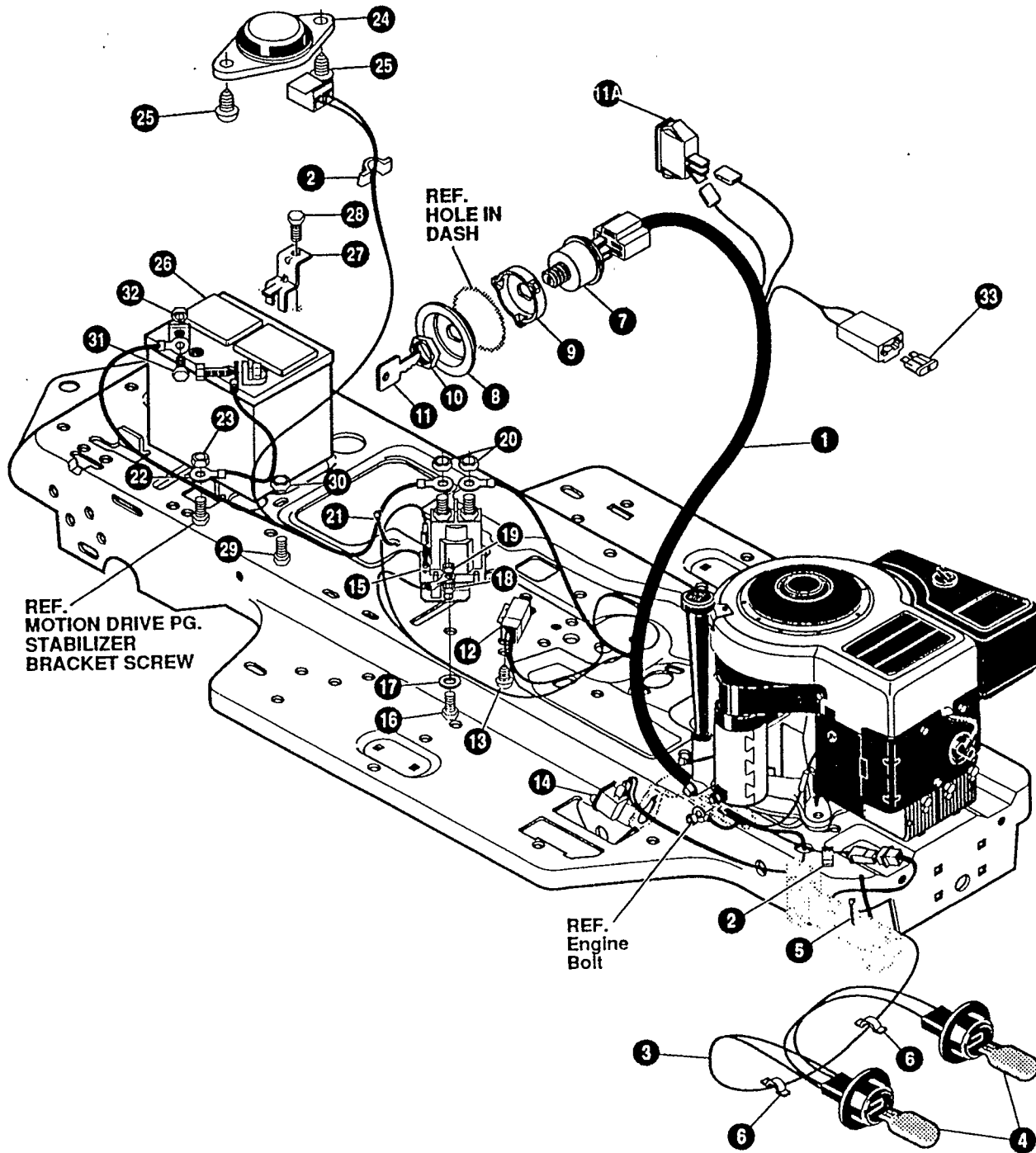
40" LAWN TRACTOR MODEL D3554-360

KEY#	PART#	DESCRIPTION	QTY.
1.	*	DECK,40" MOWER FOR AIR ASSIST	1
2.	58306	ROD, DECK HITCH	1
3.	8260	PIN, HAIR .091 DIAX1.66LG	1
4.	57325	BOLT, 3/8-16X2.00 CARR	1
5.	25210	WASHER, FLAT .392X1.25X.09	1
6.	1346	RETAINER,BELT	1
7.	310326	PULLEY, IDLER BFF 4.00 WIDE FL	1
8.	996307	WASHER, FLAT .391X1.00X.209	1
9.	120382	WASHER, REGSPTLK.393X.68X.10	1
10.	• 120377	NUT, 3/8-16 REGHX	1
11.	325773	SPRING,TENSION .75X11.0X.105	1
12.	300680	BELT, V 5L 77.75 DECK 40 LF	1
13.	328257	GUARD, BELT LH PLASTIC	1
14.	• 180075	SCREW, 5/16-18X .63 HHC	3
15.	120393	WASHER, FLAT .344X .69X.065	3
16.	• 1498	NUT, 5/16-18 REGHEXCTRLK	3
17.	328034	PULLEY,ENG. V3L 4.00 OFFSET	1
21.	120383	WASHER REGSPTLK .459X.78X.12	1
22.	433146	SCREW, 7/16-20X4.25 HHC	1
23.	304422	CHUTE DEFLECTOR 40",42" & 43"	1
24.	314975	SPRING TORISON CHUTE DEFLECTOR	1
25.	304424	ROD PIVOT DECK .312 X 7.25	1
26.	3535	NUT PUSH ON CAP	1

* ORDER INDIVIDUAL PARTS.

40" LAWN TRACTOR MODEL D3554-360

ELECTRICAL ASSEMBLY



NOTE: ALWAYS USE ORIGINAL EQUIPMENT PARTS. Use of service/replacement parts other than original equipment parts may void your warranty.

ALL UNNUMBERED ITEMS ARE INTERCHANGEABLE WITH OPPOSITE SIDE

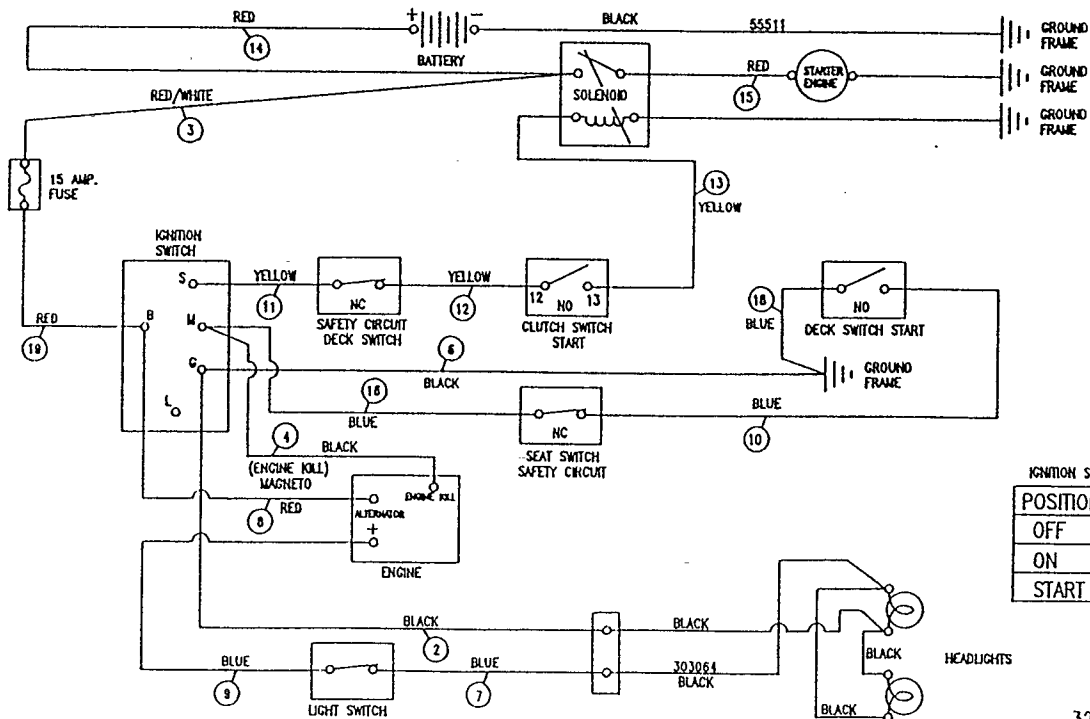
329295A

40" LAWN TRACTOR MODEL D3554-360

KEY#	PART#	DESCRIPTION	QTY.
1.	329174	WIRE HARNESS SF/H25 12B&S W/O AMP	1
2.	41482	PRESS CLIP, 1.380LG .255ID	2
3.	303064	ASSY, LIGHT WIRE-1/4 TURN	1
4.	52572	BULB, HEADLAMP	2
5.	57444	TIE, CABLE BLACK NYLON 5.62L	1
6.	41482	PRESS CLIP, 1.380LG .255ID	2
7.	327355	SWITCH-IGN.(AFTER FIRE) 3 POSN	1
8.	321692	CUP-IGNITION (OFF-ON-START)	1
9.	327238	CAP-IGNITION INSIDE	1
10.	327352	NUT, 5/8-32 HXHD IGN SWIT	1
11.	327350	KEY, IGNITION SWITCH	1
11A.	328826	LIGHT SWITCH ON/OFF PANEL MNT	1
12.	57476	SWITCH,SCR MNT DP NC NO BLK	1
13.	• 57220	SCREW, #12 X .50 PHPNHTAP BLK	2
14.	326653	SWITCH,SNAPMNT NO .055/.116BLK	1
15.	53716	SOLENOID	1
16.	• 187745	SCREW, 1/4-20X .75 HXSEMMA	2
17.	1084	WASHER, FLAT .281X1.00X.063PL	1
18.	• 1502	NUT, 1/4-20 REGHEXCTRLK	2
19.	• 271172	NUT, 1/4-20 REGHEXKEPS	1
20.	• 271187	NUT, 5/16-24 HKEPS	2
21.	57444	TIE, CABLE BLACK NYLON 5.62L	1
22.	55511	WIRE, GROUND, 12.5"	1
23.	• 271184	NUT, 5/16-18 HEXKEPS	1
24.	57547	SWITCH, SEAT	1
25.	• 160505	SCREW, 1/4-20X .38PHPNHMA	2
26.	302257	BATTERY, YUASA 12V 7-PLATE	1
27.	329175	BATTERY BRACKET	1
28.	995346	SCREW, 1/4-20X .50 WAHTAP	1
29.	120706	SCREW, 1/4-20X .50 HHC GR2Z	1
30.	46931	NUT, 1/4-20 WDFL MAC-LOCK	1
31.	• 120854	SCREW, 1/4-20X .63 HHC	2
32.	• 271172	NUT, 1/4-20 REGHEXKEPS	2
33.	•• 302031	FUSE, 15 AMP SPADE TYPE	1

• INDICATES STANDARD HARDWARE ITEMS
 ••Spade type fuse included with the wire harness.

SCHEMATIC DRAWING

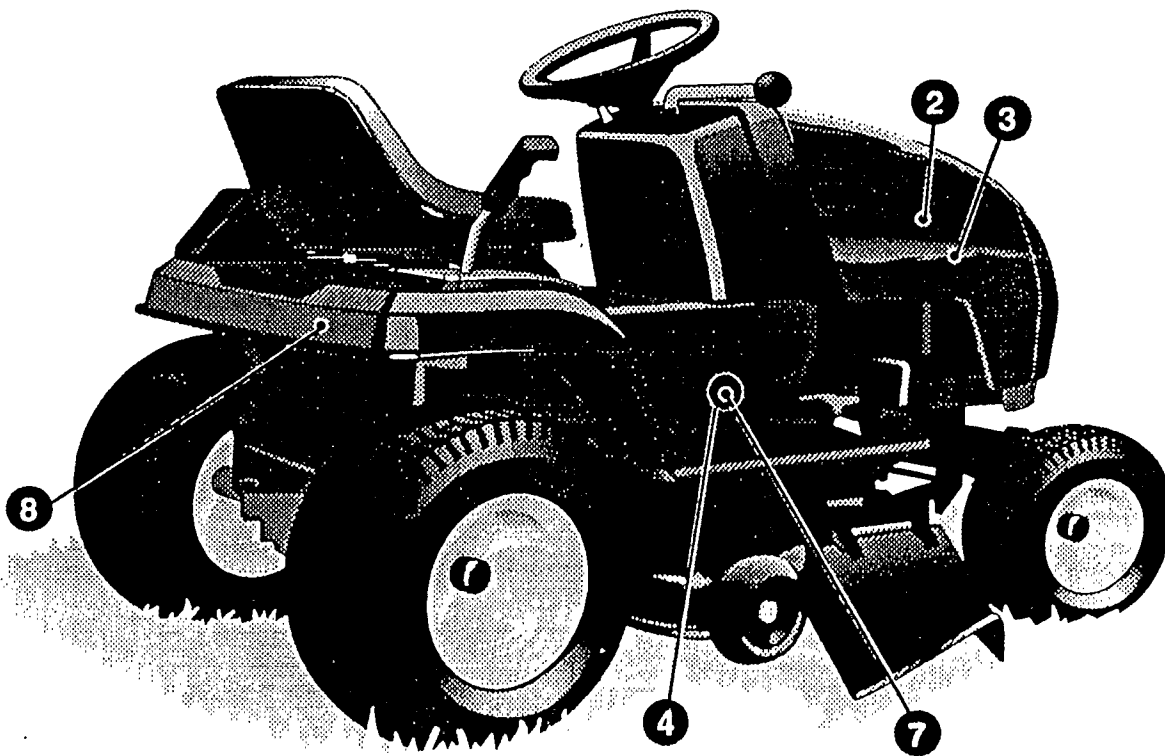
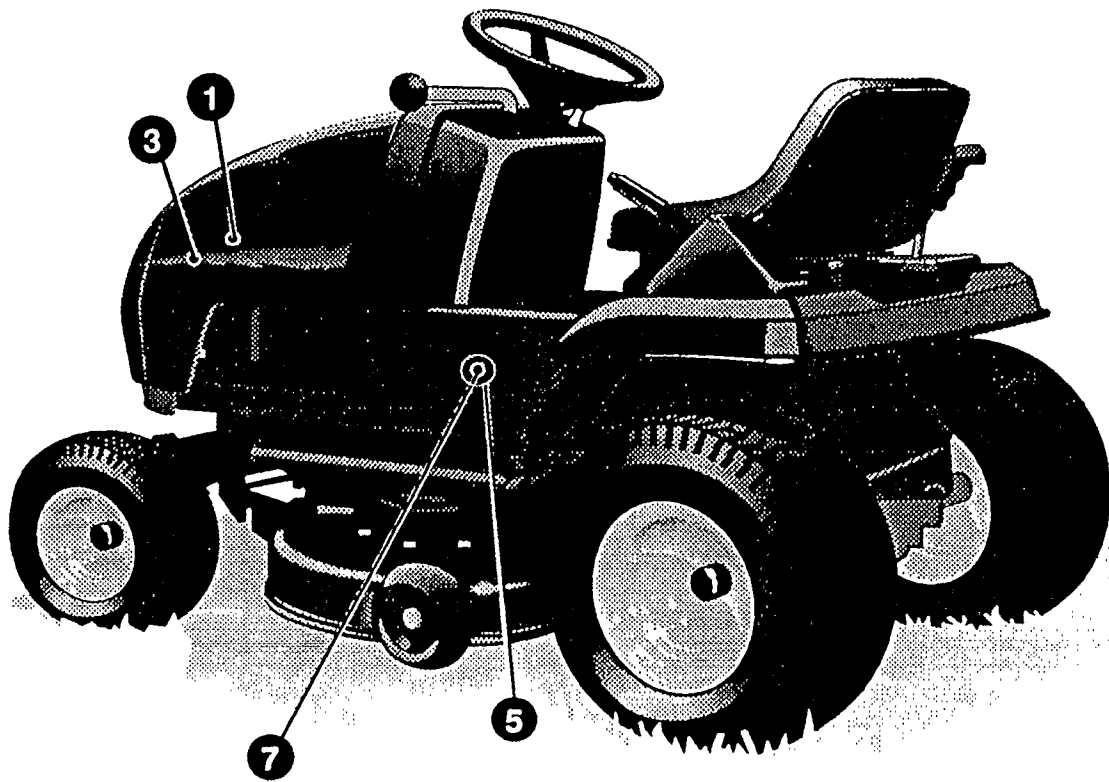


IGNITION SWITCH 305720		G	M	L	B	S
POSITION	OFF	•	•			
	ON			•	•	
	START			•	•	•

329174

40" LAWN TRACTOR MODEL D3554-360

DECALS (DECORATIVE)



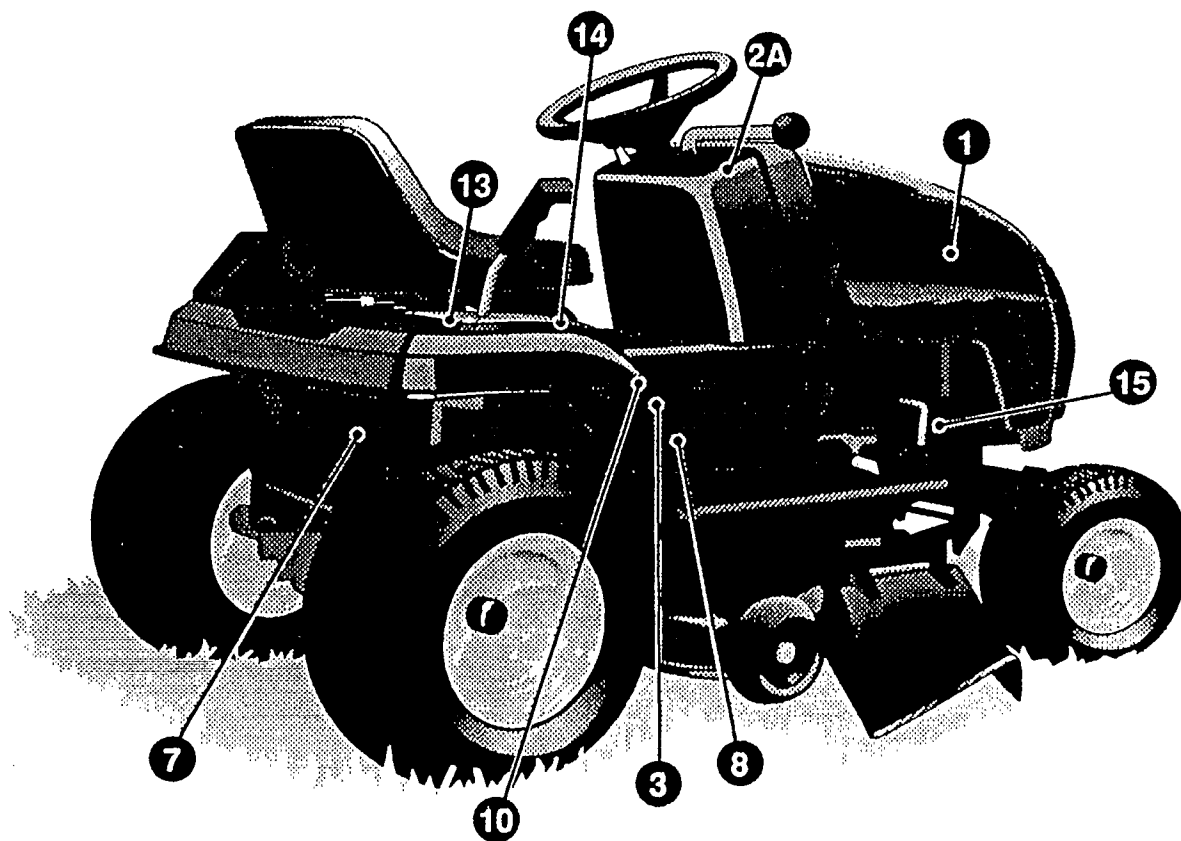
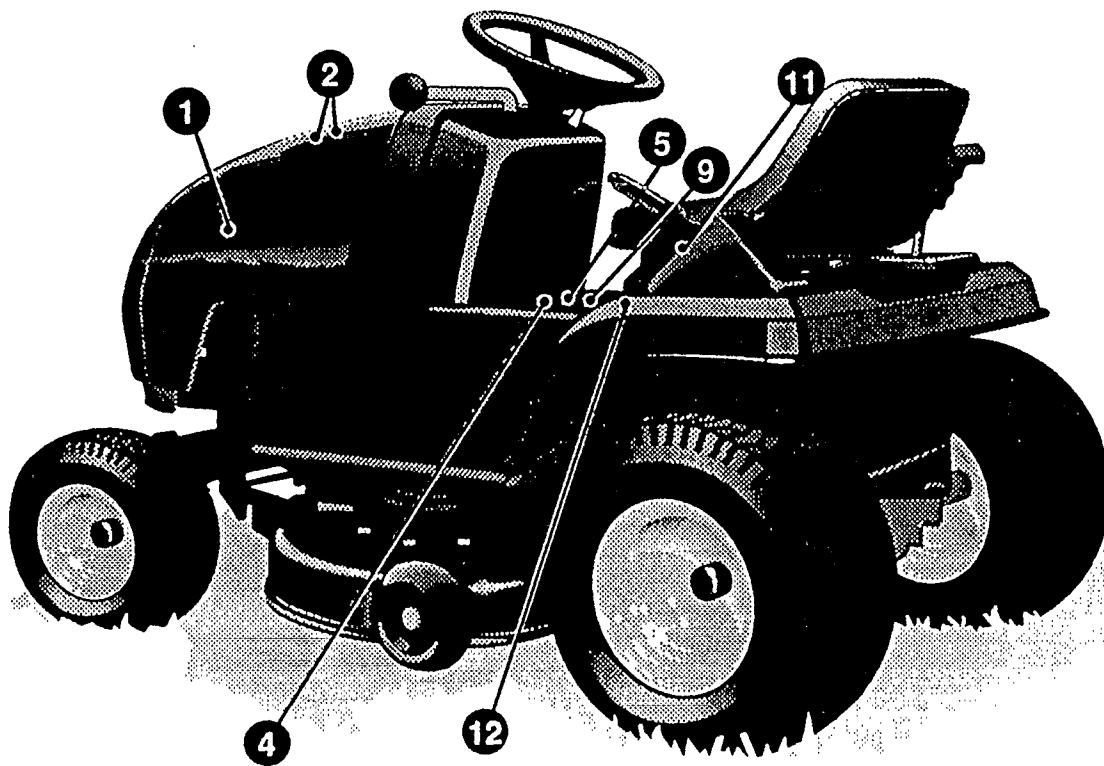
329337B

40" LAWN TRACTOR MODEL D3554-360

key#	part#	description	qty.
1.	320853	DECAL, ECO-TRAC HOOD LH SF	1
2.	320854	DECAL, ECO-TRAC HOOD RH SF	1
3.	402137	NAMEPLATE UNITECH MEDIUM	2
4.	320858	DECAL, CONSOLE RH SF	1
5.	320857	DECAL, CONSOLE LH SF	1
6.		REFERENCE ONLY	
7.	402154	NAMEPLATE, 12.5/40	2
8.	402138	NAMEPLATE UNITECH SMALL	1

40" LAWN TRACTOR MODEL D3554-360

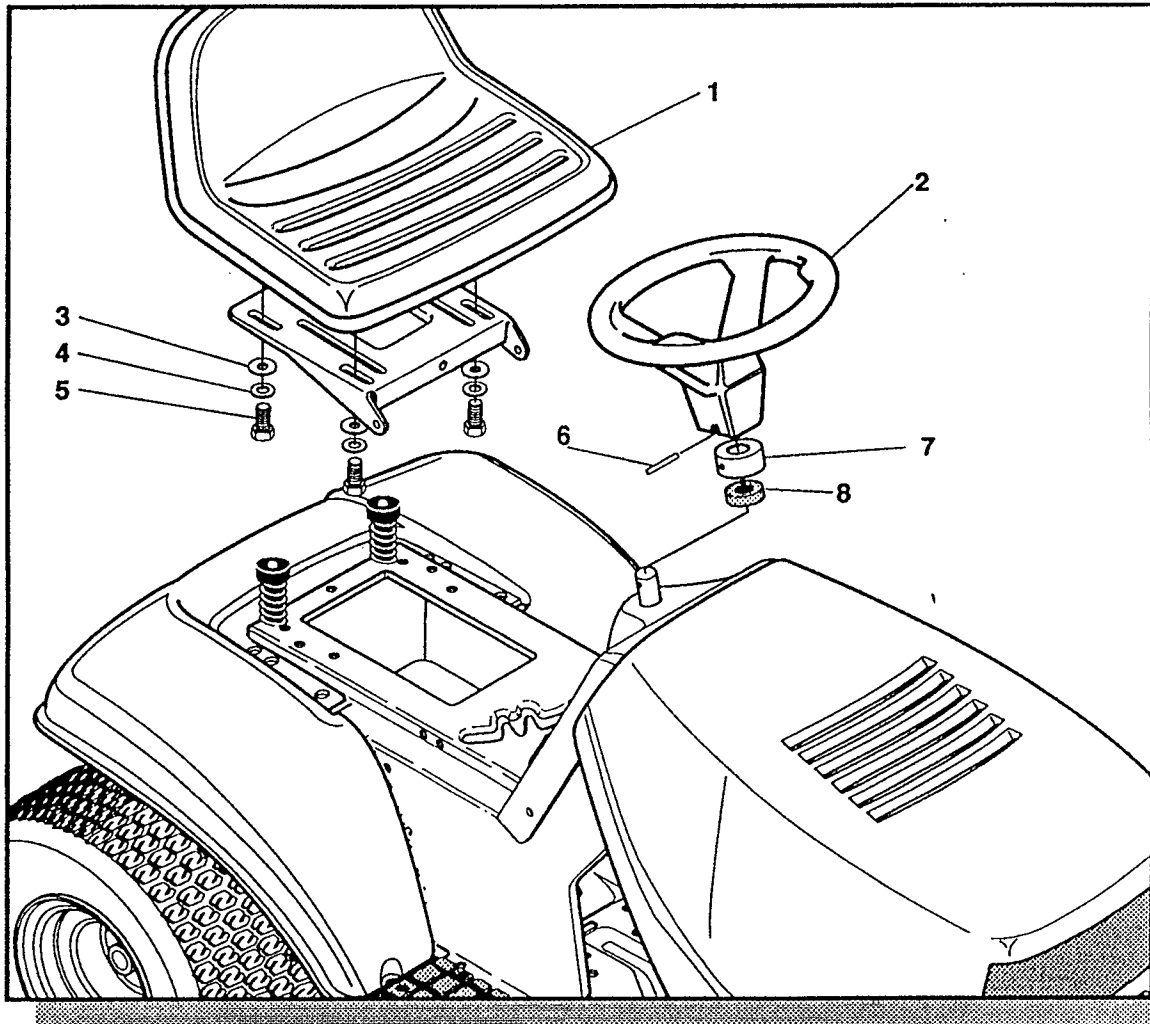
DECALS (INSTRUCTIONAL)



329336A

40" LAWN TRACTOR MODEL D3554-360

CUSTOMER ASSEMBLY



CUSTOMER ASSEMBLY VIEW

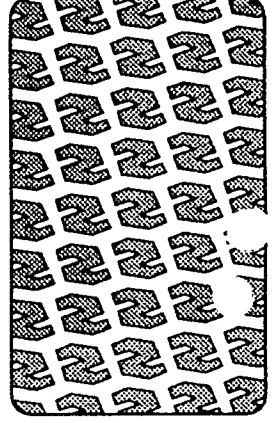
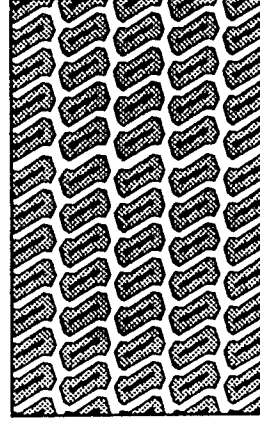
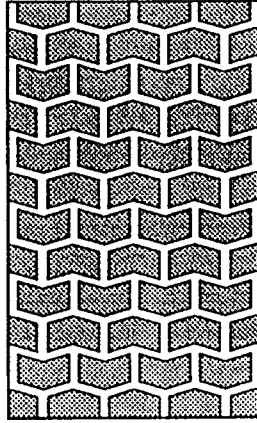
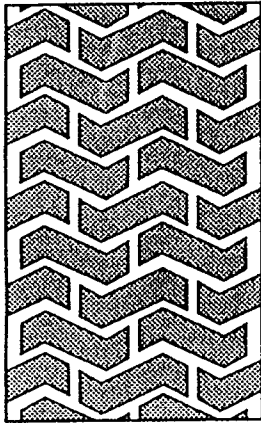
323760 PARTS BAG ASSY QTY1 (NON-SERVICEABLE)

key#	part#	decription	qty
1	310384	SEAT MV550	1
2	303132	STEERING WHEEL	1
3	120393	WASHER, FLAT .344X.69X.065	4
4	120638	WASHER, HVSPLTLK .328X.60X.109	4
5	122007	SCREW, 5/16-18X.75 HHC	4
6	456378	ROLL PIN .250DIA X2.0LG	1
7	323758	COVER, STEERING SHAFT	1
8	301413	SPACER STEERING SHAFT	1

329130A

40" LAWN TRACTOR MODEL D3554-360

TREAD PATTERNS



"A"

"B"

"C"

"D"

TIRE SIZE	"A"	"B"	"C"	"D"
11 X 4.00 - 5	42295	319679		
13 X 5.00 - 6	41060	319680		
15 X 6.00 - 6	39830	316702	301140	313952
16 X 6.50 - 8	41081	319682		314539
18 X 8.50 - 8	319683	317400		
18 X 9.50 - 8	41106	316701		313950
20 X 8.00 - 8	319685	319684	57164	314584
20 X 10.00 - 8	58276	319686		313654
20 X 10.00 - 10	55893	319687		
23 X 9.50 - 12	53655	319690	319689	314370