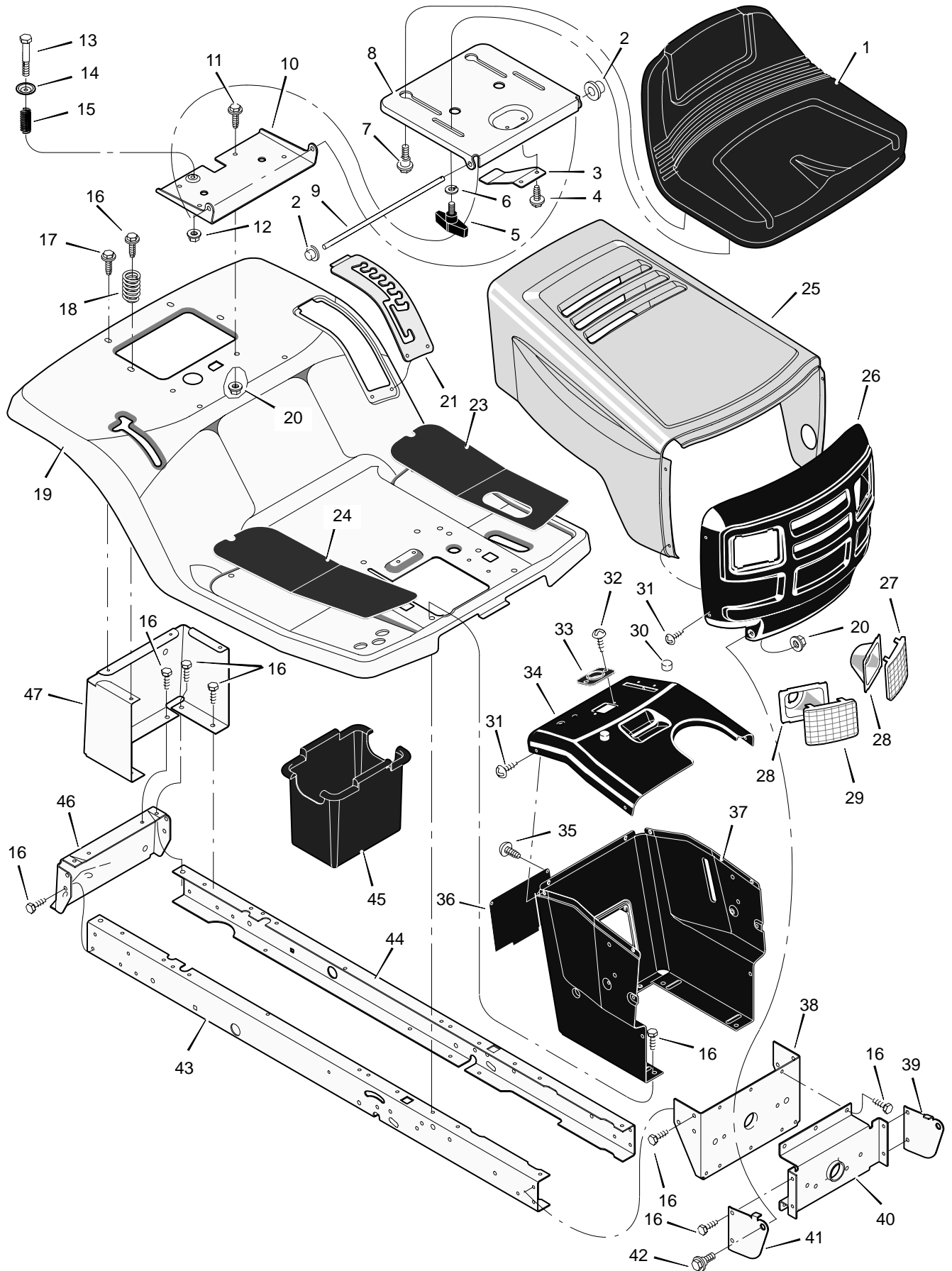


MODEL 40508x52A

REPAIR PARTS CHASSIS & HOOD



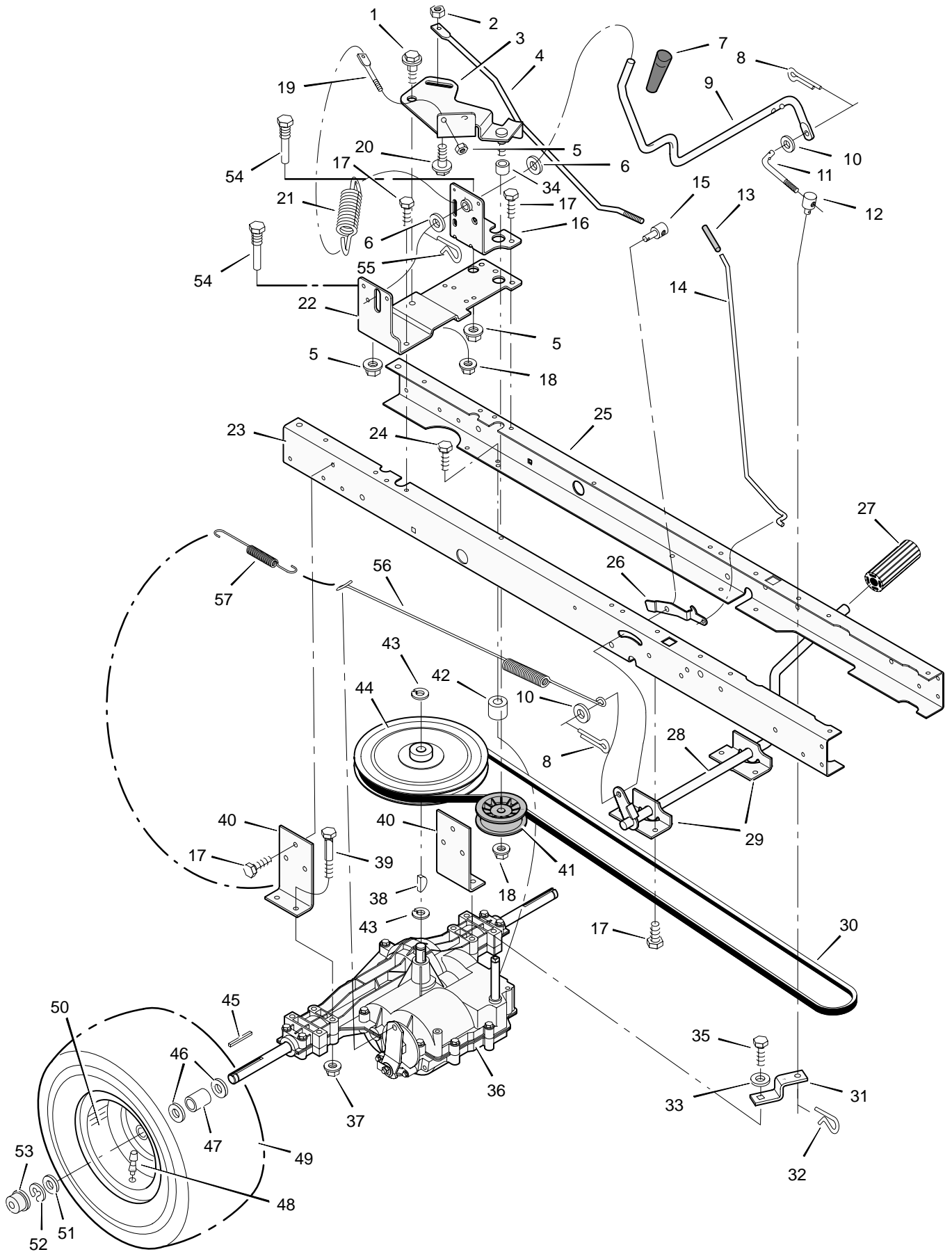
MODEL 40508x52A

REPAIR PARTS CHASSIS & HOOD

| Key No. | Description | Part No. | Key No. | Description | Part No. |
|---------|----------------|-----------|---------|-------------------------------|-------------|
| 1 | Seat | 690566 | 25 | Hood | 690608E020 |
| 2 | Cap, Push On | 28x23 | 26 | Grille | 94079E700 |
| 3 | Spring | 94057 | 27 | Lens, Left | 94081 |
| 4 | Screw | 26x229 | 28 | Bezel | 94807 Z |
| 5 | Bolt, Wing | 1001054 | 29 | Lens, Right | 94080 |
| 6 | Washer | 17x47Z | 31 | Screw | 26x270 |
| 7 | Bolt, Shoulder | 9x56 | 32 | Screw | 26x239 |
| 8 | Support, Seat | 94154E700 | 33 | Bearing, Steering | 94075 |
| 9 | Rod, Pivot | 94156 Z | 34 | Dash | 94074E700 |
| 10 | Bracket, Pivot | 94153E700 | 35 | Screw | 26x270 |
| 11 | Bolt | 1x45 | 36 | Panel, Access | 93007E700 |
| 12 | Nut | 15x89 | 37 | Support, Dash | 95318E700 |
| 13 | Bolt, Shoulder | 9x55 | 38 | Bracket, Rear Hanger | 94013E700 |
| 14 | Washer | 94155Z | 39 | Support, Left Grille | 94083E700 |
| 15 | Spring | 164x31 | 40 | Axle, Hanger | 94007E700 |
| 16 | Screw | 26x249 | 41 | Support, Right Grille | 94082E700 |
| 17 | Screw | 26x263 | 42 | Bolt, Shoulder | 9x51 |
| 18 | Spring | 164x30 | 43 | Frame, Right | 1001124E700 |
| 19 | Deck, Seat | 95249E020 | 44 | Frame, Left | 1001123E700 |
| 20 | Nut | 15x88 | 45 | Container, Battery | 690424 |
| 21 | Plate, Index | 94829E700 | 46 | Plate, Hitch | 1001002E700 |
| 23 | Mat, Left | 94999 | 47 | Panel, Rear | 690434E700 |
| 24 | Mat, Right | 94998 | — | Instruction Book & Parts List | F-010745L |

MODEL 40508x52A

REPAIR PARTS MOTION DRIVE



MODEL 40508x52A

REPAIR PARTS MOTION DRIVE

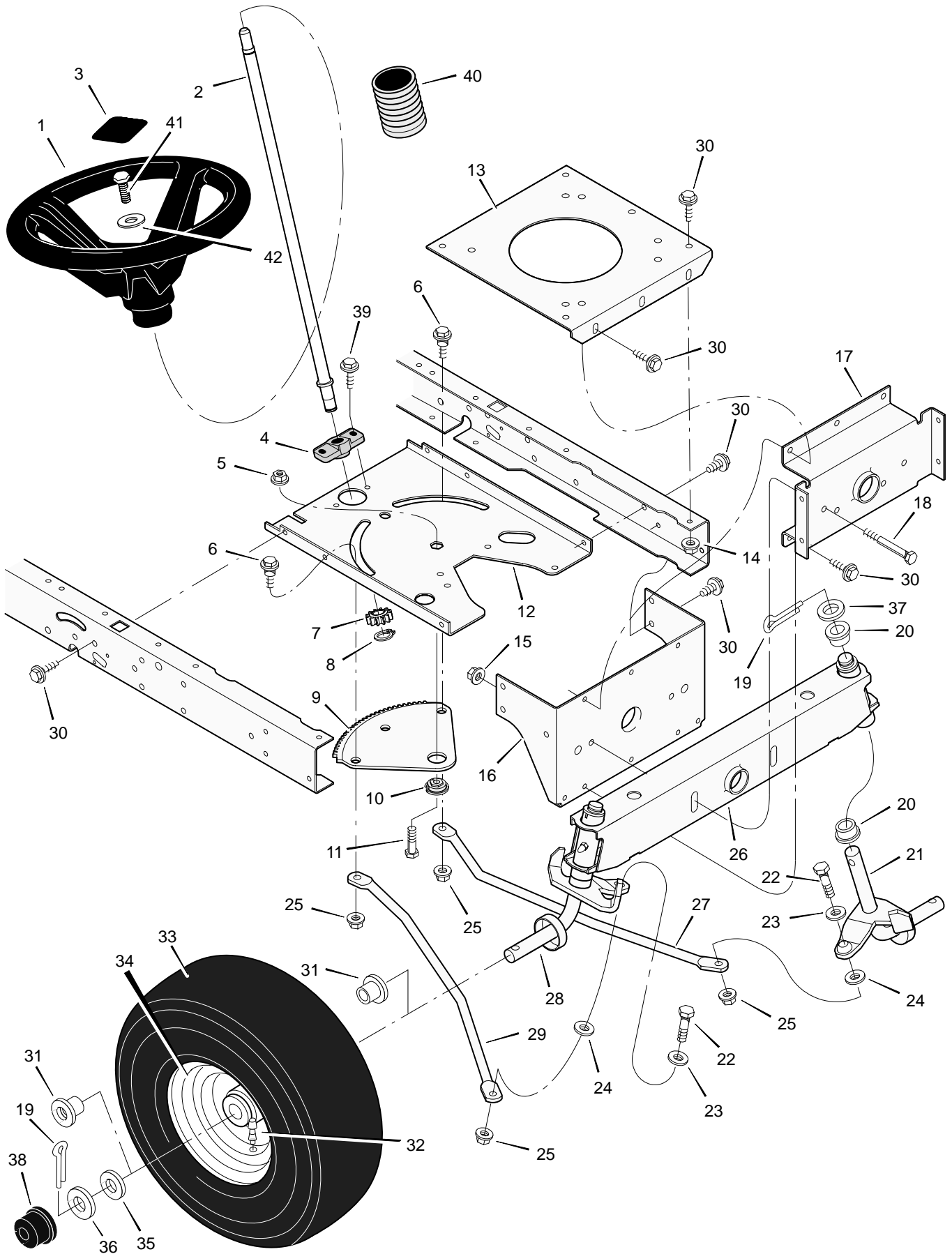
| Key No. | Description | Part No. | Key No. | Description | Part No. |
|---------|----------------------|-------------|---------|-----------------------|-----------|
| 1 | Bolt, Shoulder | 9x39 | 30 | Belt, Motion Drive | 37x87 |
| 2 | Nut, Hex | 15x89 | 31 | Yoke, Shift | 94031Z |
| 3 | Arm, Idler | 690173 Z | 32 | Pin, Hair | 31x6 |
| 4 | Rod, Clutch | 94041 Z | 33 | Washer | 17x148 |
| 5 | Nut | 15x79 | 34 | Spacer | 690369 |
| 6 | Washer | 17x102 | 35 | Bolt | 6x105 |
| 7 | Grip | 92697 | 36 | Transaxle ** | — |
| 8 | Pin, Cotter | 30x20 | 37 | Nut | 15x88 |
| 9 | Lever, Shift | 94043 Z | 38 | Key, Woodruff | 20697 |
| 10 | Washer | 17x47 Z | 39 | Bolt | 1x155 |
| 11 | Link, Shift | 94044 Z | 40 | Bracket, Transaxle | 94008E700 |
| 12 | Nut, Adjuster | 21920 | 41 | Pulley | 690409 |
| 13 | Grip | 91079 | 42 | Spacer | 94132 |
| 14 | Rod, Parking Brake | 95005 Z | 43 | E-Ring | 11x7 |
| 15 | Nut, Adjuster | 94815 | 44 | Pulley, Drive | 95094 |
| 16 | Bracket, Shift | 94034E700 | 45 | Key, Square | 21553 |
| 17 | Screw | 26x249 | 46 | Washer | 17x160 |
| 18 | Nut | 15x84 | 47 | Spacer, Transaxle | 690554 Z |
| 19 | Mount, Stud Spring | 94042 Z | 48 | Stem, Valve | 24373 |
| 20 | Bolt, Shoulder | 9x54 | 49 | Tire * | 91923 |
| 21 | Spring, Extension | 165x116 | — | Tube | 407049 |
| 22 | Bracket, Shifter | 690166E700 | 50 | Wheel & Tire Assembly | 92288-601 |
| 23 | Frame, Right | 1001124E700 | 51 | Washer | 17x195 |
| 24 | Screw | 25x12 | 52 | E-Ring | 11x3 |
| 25 | Frame, Left | 1001123E700 | 53 | Hub Cap | 94618 |
| 26 | Latch, Parking Brake | 94045 Z | 54 | Guide, Belt | 93349 |
| 27 | Pedal | 21544 | 55 | Pin, Hair | 31x4 |
| 28 | Lever, Brake/Clutch | 94038E700 | 56 | Spring, Extension | 165x115 |
| 29 | Bracket, Pedal | 1001117E700 | 57 | Spring, Extension | 165x92 |

* When you order a tire, make sure to give the brand name of the tire so that the tread pattern on the tire will match.

** For information on Replacement Parts see the Central Parts Distributor in your area.

MODEL 40508x52A

REPAIR PARTS STEERING



MODEL 40508x52A

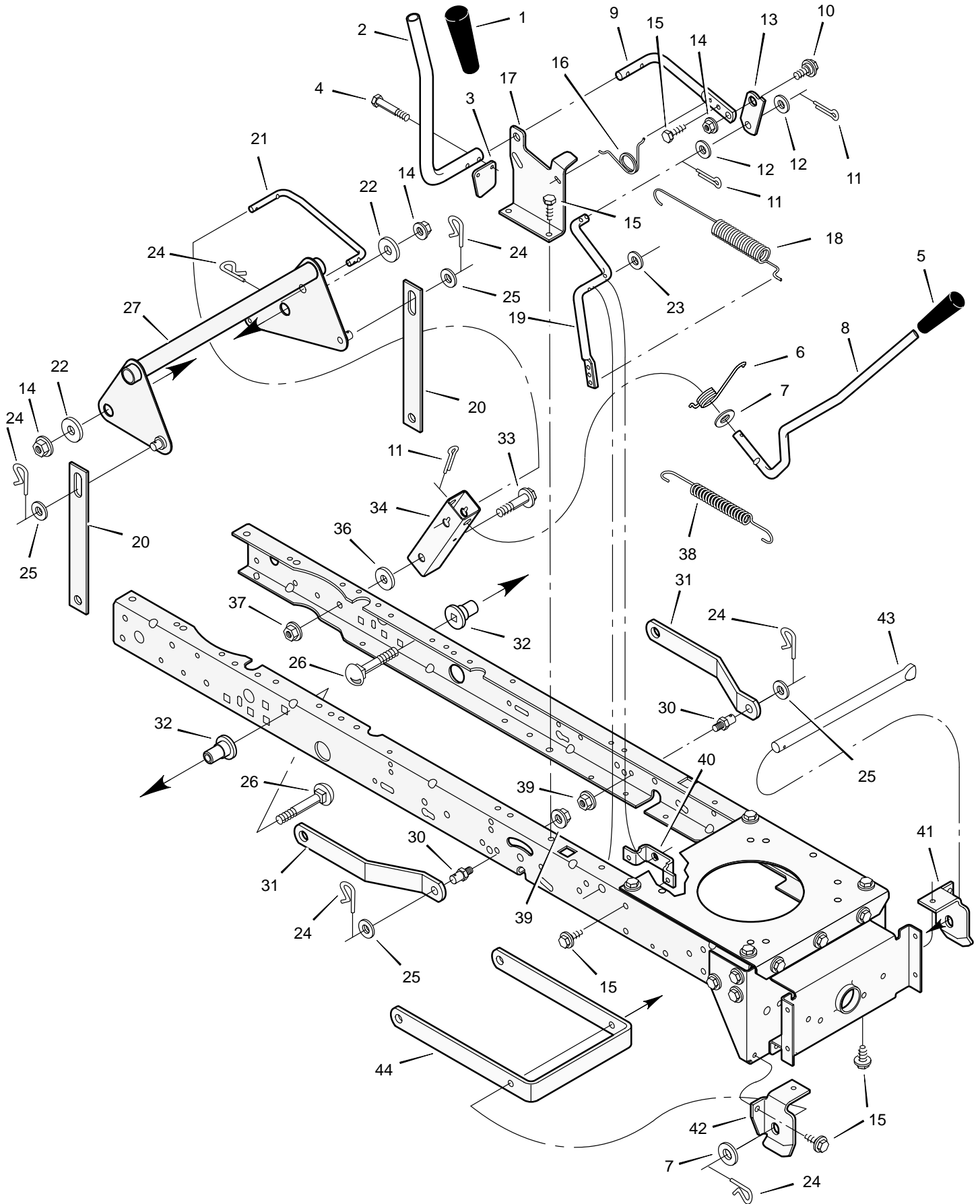
REPAIR PARTS STEERING

| Key No. | Description | Part No. | Key No. | Description | Part No. |
|---------|------------------------|-------------|---------|-------------------------|------------|
| 1 | Wheel, Steering | 95336 | 23 | Washer | 17x104 |
| 2 | Post, Steering | 690625 | 24 | Washer | 17x53 Z |
| 3 | Insert, Steering Wheel | 95338 | 25 | Nut, Flange | 15x84 |
| 4 | Bearing | 94124 | 26 | Axle Assembly | 690210E700 |
| 5 | Nut, Flange | 15x111 | 27 | Drag Link, Left | 95329E700 |
| 6 | Bolt, Shoulder | 9x57 | 28 | Spindle Assembly, Right | 94575E700 |
| 7 | Gear, Pinion | 690183E700 | 29 | Drag Link, Right | 95328E700 |
| 8 | Ring, Snap | 11x25 | 30 | Screw | 26x249 |
| 9 | Gear, Sector | 94121E700 | 31 | Bearing, Wheel | 91334 |
| 10 | Bearing | 94123 | 32 | Stem, Valve | 24373 |
| 11 | Bolt | 1x84 | 33 | Tire * | 91923 |
| 12 | Plate, Steering | 1001121E700 | — | Tube | 407924 |
| 13 | Plate, Engine | 94006E700 | 34 | Wheel and Tire Assembly | 94578–601 |
| 14 | Nut, Flange | 15x88 | 35 | Washer | 17x195 |
| 15 | Nut, Flange | 15x118 | 36 | Washer | 17x192 |
| 16 | Bracket, Hanger | 94013E700 | 37 | Washer | 17x113 |
| 17 | Axle, Hanger | 94007E700 | 38 | Hub Cap | 94618 |
| 18 | Bolt | 1x146 | 39 | Screw | 26x267 |
| 19 | Pin, Cotter | 30x49 | 40 | Bellows | 92059 |
| 20 | Bearing | 690150 | 41 | Bolt | 25x3 |
| 21 | Spindle Assembly, Left | 94576E700 | 42 | Washer | 17x146 |
| 22 | Bolt | 1x111 | | | |

* When you order a tire, make sure to give the brand name of the tire so that the tread pattern on the tire will match.

MODEL 40508x52A

REPAIR PARTS MOWER HOUSING SUSPENSION



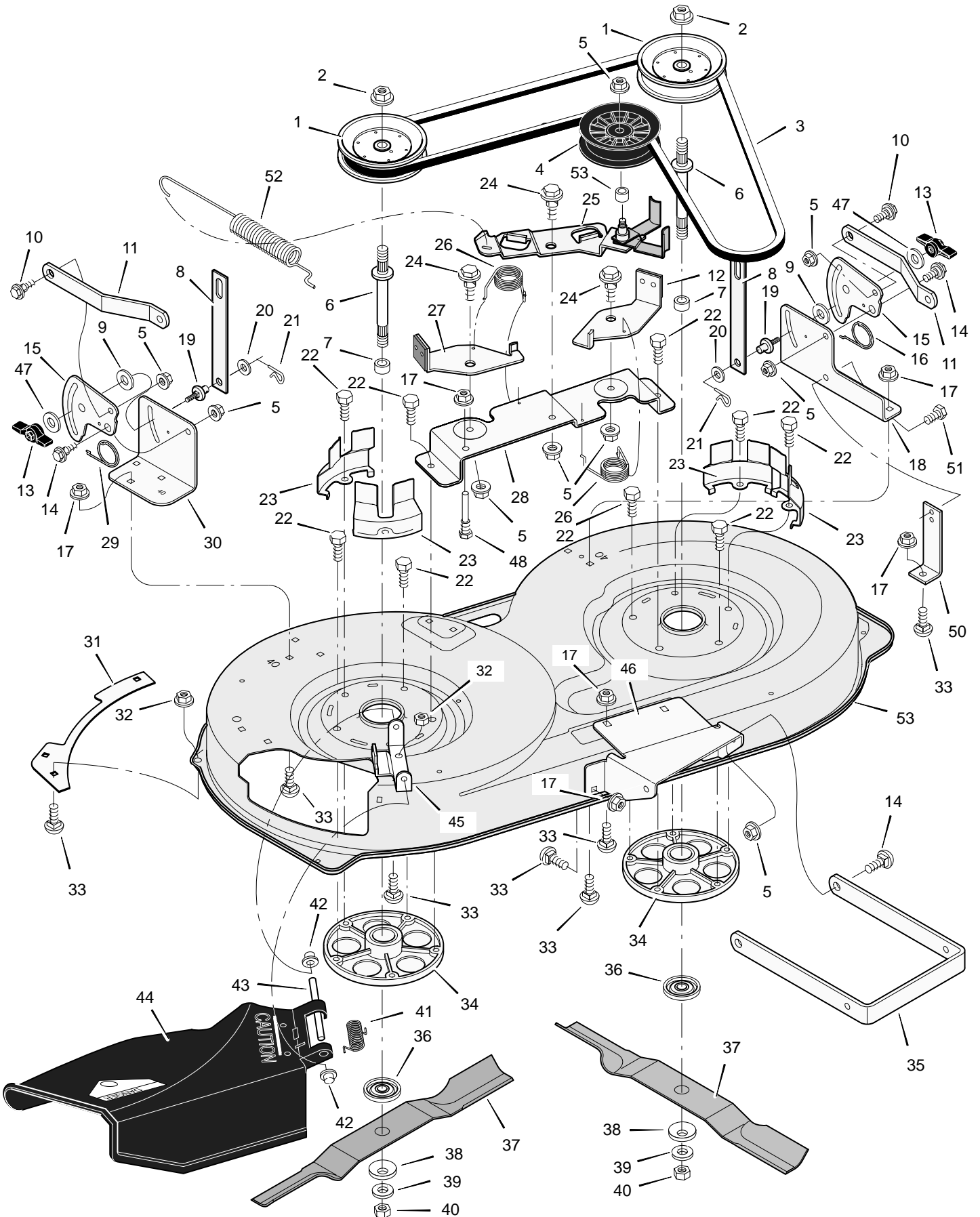
MODEL 40508x52A

REPAIR PARTS MOWER HOUSING SUSPENSION

| Key No. | Description | Part No. | Key No. | Description | Part No. |
|---------|-------------------|------------|---------|--------------------------|------------|
| 1 | Grip | 92698 | 22 | Washer | 17x168 |
| 2 | Handle, PTO | 94157 Z | 23 | Washer | 17x57 |
| 3 | Pad, Switch | 94022 Z | 24 | Pin, Hair | 31x4 |
| 4 | Bolt | 25x3 | 25 | Washer | 17x91 |
| 5 | Grip | 92697 | 26 | Bolt, Carriage | 2x85 |
| 6 | Spring | 166x40 | 27 | Lever Assembly, Lift | 690363E700 |
| 7 | Washer | 17x103 | 30 | Pin | 94067 |
| 8 | Handle, Lift | 690533 | 31 | Bracket, Rear Suspension | 94055E700 |
| 9 | Lever, PTO | 94017 Z | 32 | Spacer, Lifter | 690151 |
| 10 | Bolt, Shoulder | 9x39 | 33 | Bolt, Shoulder | 9x53 |
| 11 | Pin, Cotter | 30x20 | 34 | Bracket, Pivot | 94015E700 |
| 12 | Washer | 17x102 | 36 | Washer | 17x191 |
| 13 | Link, PTO | 94004 Z | 37 | Nut, Flange | 15x84 |
| 14 | Nut, Flange | 15x84 | 38 | Spring | 165x131 |
| 15 | Screw | 26x249 | 39 | Nut, Flange | 15x68 |
| 16 | Spring | 166x39 | 40 | Bracket, PTO | 94005E700 |
| 17 | Bracket, PTO | 94018E700 | 41 | Hanger, Left Deck | 94027E700 |
| 18 | Spring | 165x119 | 42 | Hanger, Right Deck | 94026E700 |
| 19 | Crank, PTO | 690394E700 | 43 | Rod, Hanger | 94158Z |
| 20 | Link, Lift | 690212E700 | 44 | Bracket, Suspension | 94058E700 |
| 21 | Link, Lift Handle | 690122E700 | | | |

MODEL 40508x52A

REPAIR PARTS MOWER HOUSING



MODEL 40508x52A

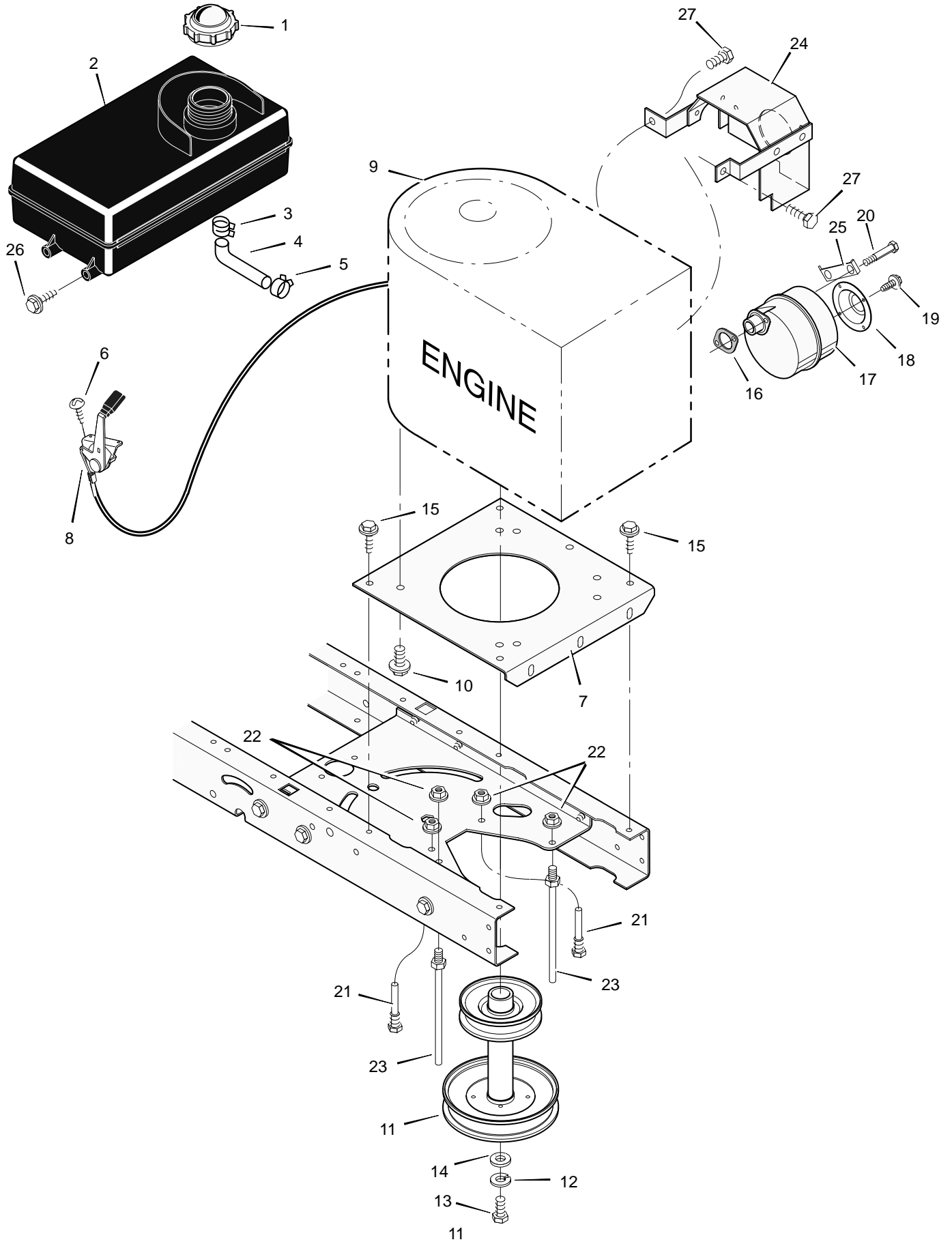
REPAIR PARTS MOWER HOUSING

| Key No. | Description | Part No. | Key No. | Description | Part No. |
|---------|---------------------------|------------|---------|---------------------------------|-----------|
| 1 | Pulley, Jackshaft | 92851 | 28 | Bracket Assembly, Brake | 94145E700 |
| 2 | Nut, Hex | 15x121 | 29 | Spring | 166x42 |
| 3 | Belt, Mower Drive | 37x62 | 30 | Bracket, Suspension | 94142E700 |
| 4 | Pulley, Idler | 690387 | 31 | Plate | 91770E700 |
| 5 | Nut, Flange | 15x84 | 32 | Nut, Flange | 15x88 |
| 6 | Jackshaft | 94129 | 33 | Bolt, Carriage | 2x53 |
| 7 | Spacer | 94130 | 34 | Mandrell | 92574 |
| 8 | Link, Lift | 690212E700 | 35 | Bracket, Suspension | 94058E700 |
| 9 | Pad, Friction | 94137 | 36 | Adapter, Blade | 1001035 |
| 10 | Bolt, Shoulder | 9x52 | 37 | Blade | 92002E701 |
| 11 | Bracket, Suspension | 94055E700 | 38 | Washer | 17x166 |
| 12 | Pad Assembly, Left Brake | 94049E700 | 39 | Washer | 17x165 |
| 13 | Knob | 94068 | 40 | Nut | 15x100 |
| 14 | Bolt, Shoulder | 9x51 | 41 | Spring | 166x4 |
| 15 | Plate, Suspension | 94128E700 | 42 | Cap, Push On | 28x23 |
| 16 | Spring | 166x43 | 43 | Rod, Pivot | 94957 Z |
| 17 | Nut, Flange | 15x79 | 44 | Deflector Assembly | 94707 |
| 18 | Bracket, Left Suspension | 94143E700 | 45 | Bracket, Deflector | 94956E700 |
| 19 | Pin, Hanger | 95194 | 46 | Bracket, Front Hanger | 94144E700 |
| 20 | Washer | 17x103 | 47 | Washer | 17x45 Z |
| 21 | Pin, Cotter | 31x4 | 48 | Guide, Belt | 94781 |
| 22 | Bolt | 25x7 | 50 | Bracket, Support | 94681E700 |
| 23 | Cover, Pulley | 94051E700 | 51 | Screw | 26x249 |
| 24 | Bolt, Shoulder | 9x39 | 52 | Spring, Extension | 165x119 |
| 25 | Arm, Idler | 690408E700 | 53 | Spacer | 690369 |
| 26 | Spring | 166x41 | 54 | Housing, Blade * | 94888E700 |
| 27 | Pad Assembly, Right Brake | 94047E700 | 1-54 | Complete Mower Housing Assembly | 776103 |

* Includes Key No. 17, 18, 30, 31, 32, 33, 45, 46, 47 and 51.

MODEL 40508x52A

REPAIR PARTS ENGINE MOUNT



MODEL 40508x52A

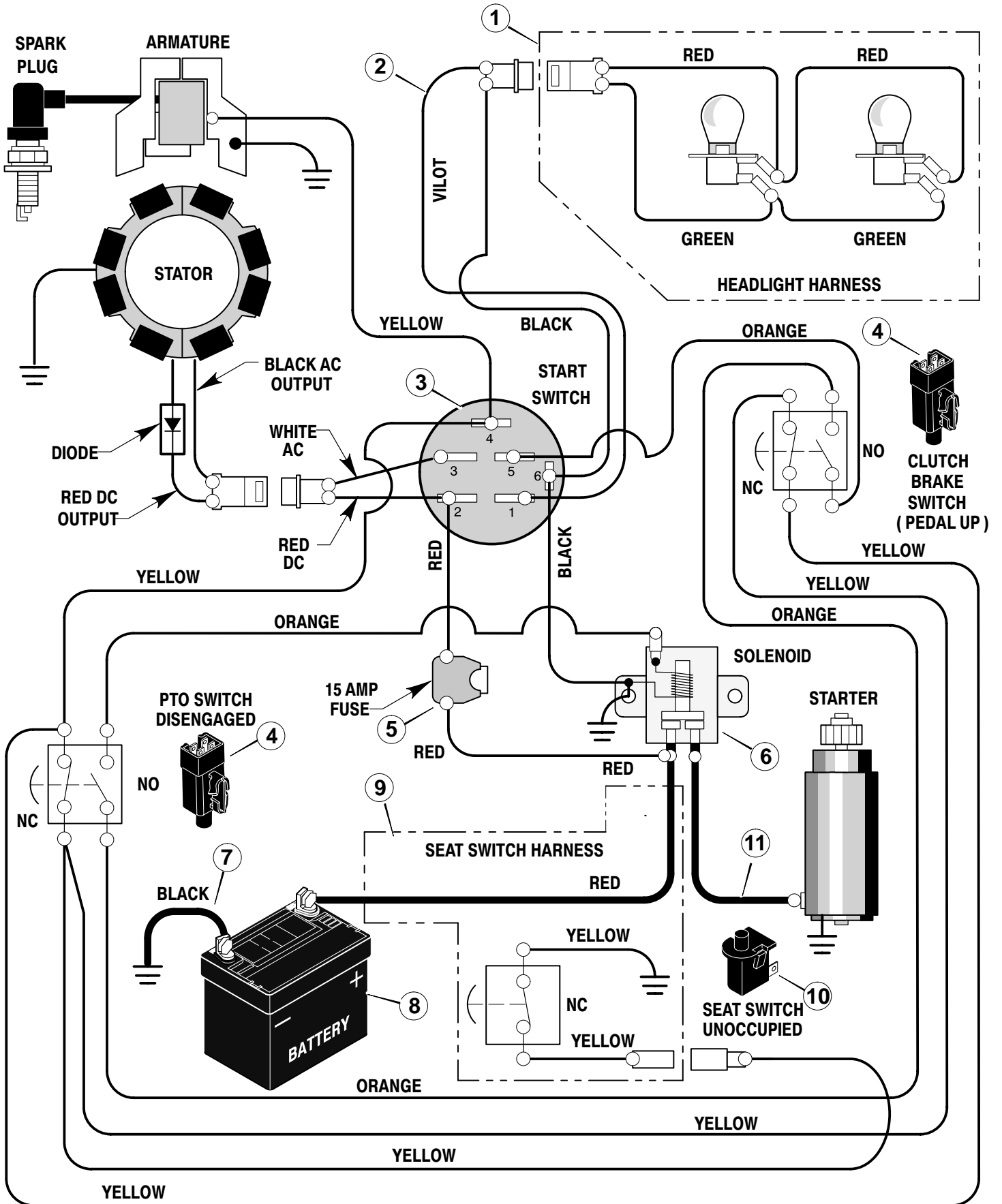
REPAIR PARTS ENGINE MOUNT

| Key No. | Description | Part No. |
|---------|-----------------------|-----------|
| 1 | Fuel Cap | 92317 |
| 2 | Fuel Tank | 94073 |
| 3 | Hose Clamp | 95197 |
| 4 | Fuel Line | 23717 |
| 5 | Hose Clamp | 95197 |
| 6 | Screw | 26x201 |
| 7 | Plate, Engine | 94006E700 |
| 8 | Throttle Control | 91989 |
| 9 | Engine* | _____ |
| 10 | Bolt, Engine Mount | 25x7 |
| 11 | Stack Pulley Assembly | 690439 Z |
| 12 | Lockwasher | 19x35 |
| 13 | Bolt, Hex | 1x140 |
| 14 | Washer | 17x170 |
| 15 | Screw | 26x249 |
| 16 | Gasket | 91309 |
| 17 | Muffler | 91271 |
| 18 | Deflector, Muffler | 94099 Z |
| 19 | Screw | 26x208 |
| 20 | Bolt, Hex | 1x134 |
| 21 | Guide, Belt | 93349 |
| 22 | Nut, Flange | 15x79Z |
| 23 | Guide, Belt | 94066 |
| 24 | Shield, Heat | 94320SE |
| 25 | Lock, Screw | 92378 |
| 26 | Screw | 26x253 |
| 27 | Screw | 26x263 |

* Parts are available from an engine Authorized Service Center. See "Engines, Gasoline" or "Gasoline Engines" in the yellow pages of the telephone directory.

MODEL 40508x52A

REPAIR PARTS ELECTRICAL SYSTEM



MODEL 40508x52A

REPAIR PARTS ELECTRICAL SYSTEM

| Key No. | Description | Part No. |
|----------------|---------------------------|-----------------|
| 1 | Harness, Light Wire | 250x92 |
| | Socket, Light | 92372 |
| | Bulb, Light | 90084 |
| 2 | Harness, Chassis Wire | 250x86 |
| 3 | Switch, Ignition | 92377 |
| | Key, Ignition | 20729 |
| | Nut, Hex | 91489 |
| | Cap, Ignition | 91488 |
| 4 | Switch, Limit | 94136 |
| 5 | Fuse | 54212 |
| | Holder, Fuse | 407078 |
| 6 | Solenoid | 94613 |
| | Screw, Mounting | 26x229 |
| | Locknut | 15x116 |
| 7 | Cable, Battery Ground | 24x32 |
| | Screw, Ground Cable | 26x213 |
| 8 | Battery | 21075 |
| | Bolt, Carriage | 2x82 |
| | Wingnut | 14x79 |
| 9 | Harness, Seat Switch Wire | 250x67 |
| 10 | Switch, Seat Sensor | 94159 |
| 11 | Cable | 24x31 |