

# REPAIR PARTS MANUAL

## 39" - 12 H.P. RIDING MOWER

Rod

MODEL 3560-74

### WARRANTY

#### ONE YEAR LIMITED WARRANTY

For one (1) year from date of purchase by the first consumer for residential use (thirty (30) days commercial use), Western International Incorporated warrants that it will replace free of charge, including labor, any original part of any Western International Incorporated product found to be defective by any authorized Service Dealer or the factory, except the battery which is warranted for ninety (90) days from date of purchase.

This warranty does not cover engine, transmission, transaxle or differential (these items are covered by their manufacturer's own warranty). This warranty does not cover parts that have failed due to normal wear or parts that have failed subject to misuse or abuse. Transportation of the unit or part to and from an authorized Service Dealer or the factory is the responsibility of the owner.

A step by step explanation as to what procedure should be followed for this Warranty is:

1. If a part becomes defective, contact the store where the unit was purchased for the name and address of the authorized Service Dealer nearest to you.
2. If you cannot locate an authorized Service Dealer, write Service Department of Western International Incorporated for the name and address of the authorized Service Dealer in your area or call the Service Department at 1-800-247-7464 (outside Iowa), 1-515-265-3461 (Iowa).
3. Return the defective product, along with proof of purchase to such authorized Service Dealer for replacement of any defective part where covered by this warranty.

There is no other express warranty. Implied warranties, including those of merchantability and fitness for a particular purpose are limited to one (1) year from date of purchase. Liability for incidental or consequential damages are excluded.

Some states do not allow limitations on how long an implied warranty lasts, so the above limitation may not apply to you. Some states do not allow the exclusion of incidental or consequential damages, so the above exclusion may not apply to you. This warranty gives you specific legal rights, and you may have other rights which vary from state to state.

Western International Incorporated

P.O. Box 377

Des Moines, Iowa 50302

#### UNIT PARTS AND SERVICE

This manual contains repair parts information and instructions for safety. Read the operator's manual carefully and completely so that you will know proper assembly, use and care of your unit. Fill in and mail the registration card packed with the unit. For service other than covered in operator's manual, contact an authorized service dealer. A nationwide parts and service organization has been established to provide locally available parts and service. A list of authorized parts distributors has been included in this manual. When ordering repair parts, always give the following information: 1. The Part Name; 2. The Part Number; 3. The Quantity desired; 4. The Full (eight digit) Model Number of the unit. The model number will be found on a plate attached to the unit.



Look for this symbol. It means - ATTENTION! BECOME ALERT! A HAZARD TO OPERATOR, BYSTANDERS, PROPERTY OR EQUIPMENT MAY EXIST.

WESTERN INTERNATIONAL INCORPORATED

P.O. BOX 377

DES MOINES, IOWA 50302

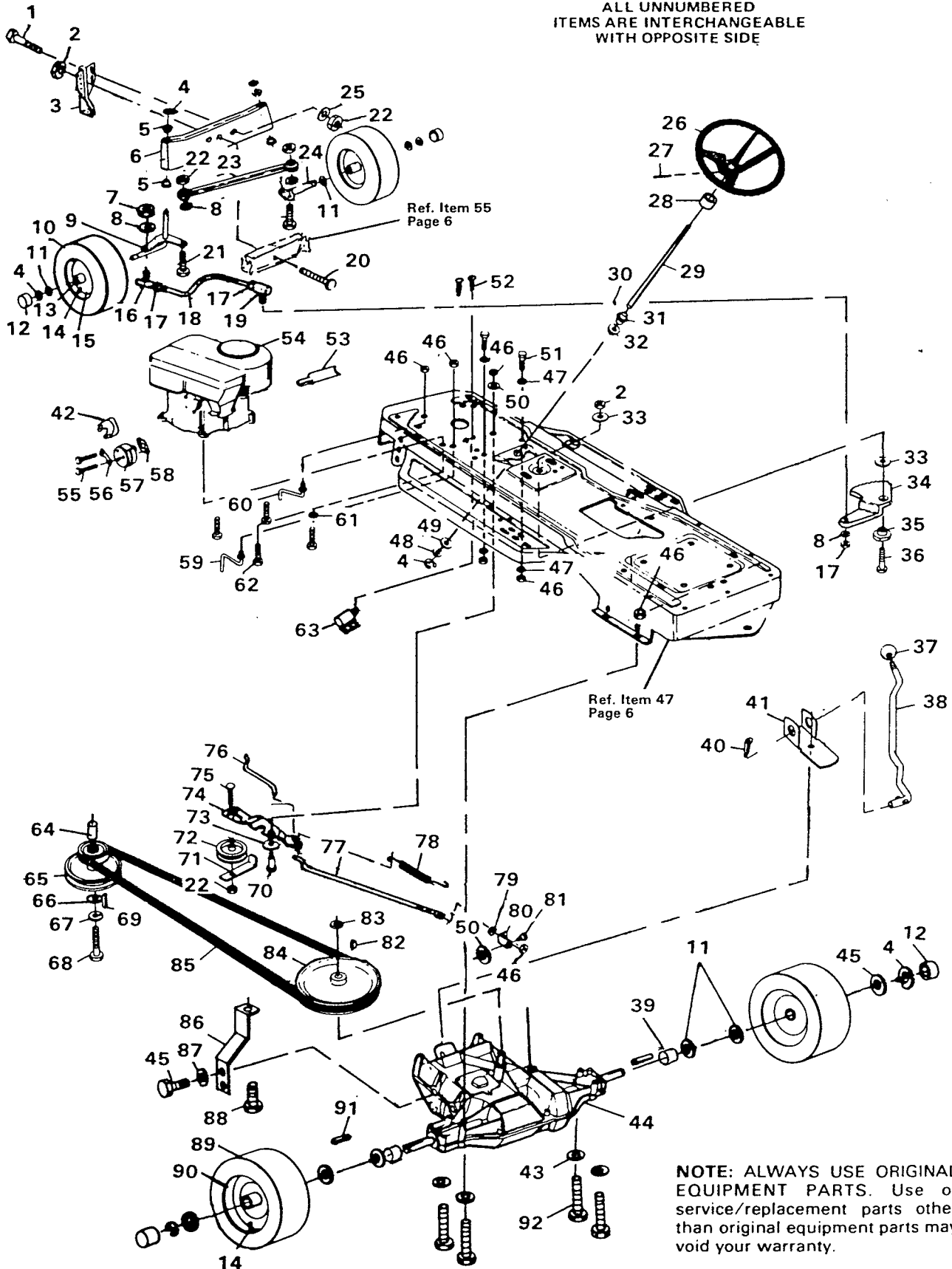
Part No. 63066

0587

# REPAIR PARTS

## 39" RIDING MOWER MODEL 3560-74

ALL UNNUMBERED  
ITEMS ARE INTERCHANGEABLE  
WITH OPPOSITE SIDE



**NOTE: ALWAYS USE ORIGINAL  
EQUIPMENT PARTS.** Use of  
service/replacement parts other  
than original equipment parts may  
void your warranty.

## 39" RIDING MOWER MODEL 3560-74

ALWAYS GIVE THE FOLLOWING INFORMATION WHEN ORDERING REPAIR PARTS:

1. The PART NUMBER; 2. The PART NAME; 3. QUANTITY DESIRED; 4. The MODEL NUMBER (As shown on Model Plate)

SEND PART ORDERS AS PER INSTRUCTIONS ON THE FRONT PAGE

YOUR UNIT IS RIGHT HAND (RH) OR LEFT HAND (LH) AS YOU STAND BEHIND IT.

DO NOT USE KEY NUMBERS WHEN ORDERING REPAIR PARTS, ALWAYS USE PART NUMBERS.

All replacement parts will be supplied in current production colors or in a neutral color.

A handling fee is applicable to small parts orders.

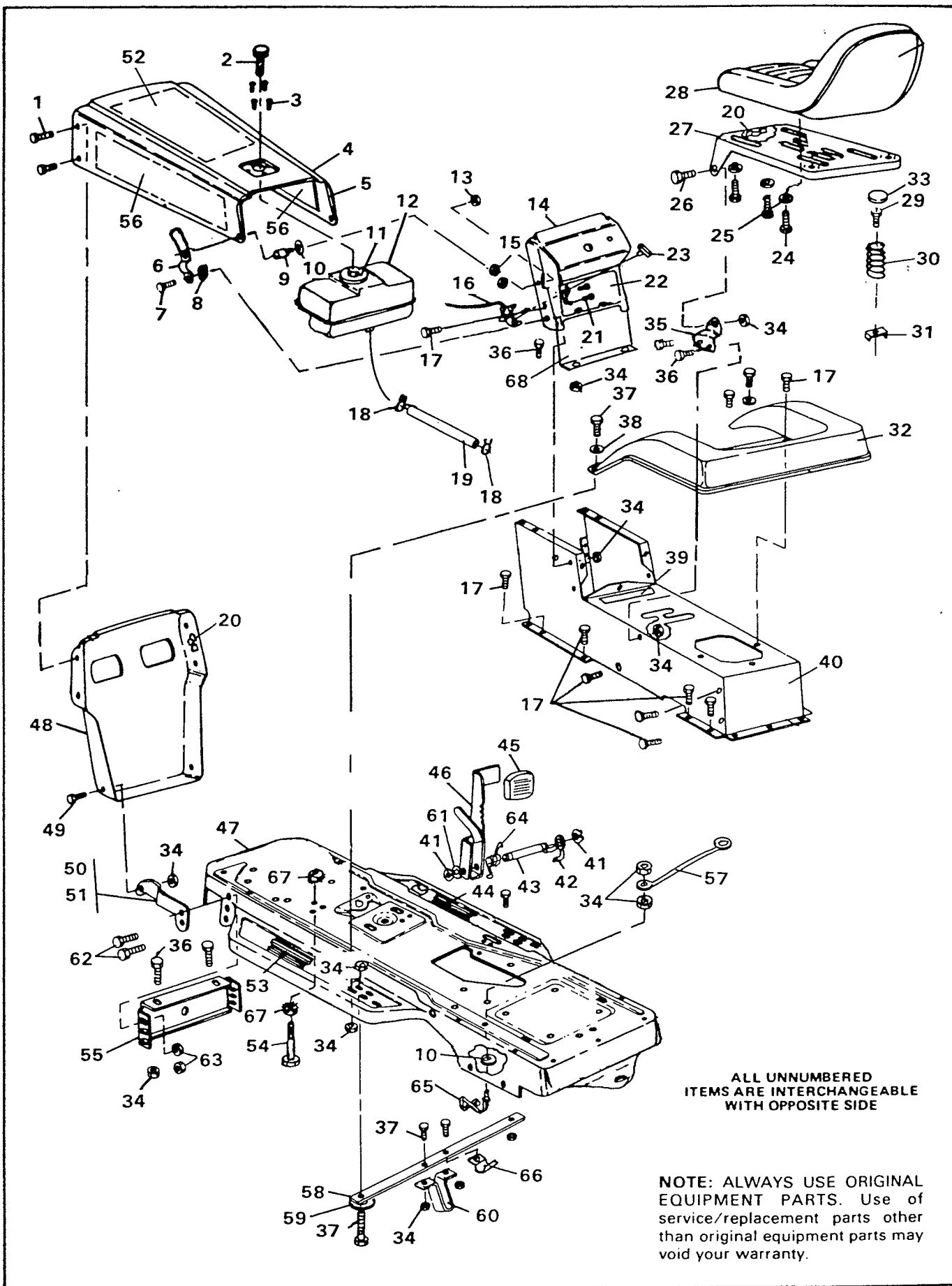
Key No.	Part No.	Description	Key No.	Part No.	Description
1	122207	*Screw, Hex Hd, 3/8-16 x 3 In.	50	45602	Washer, 5/16 In.
2	9414074	Locknut, 1/2-13 Thd.	51	120229	*Screw, Hex Hd, 5/16-18 x 7/8 In.
3	57167	Bracket, Deck Hanger	52	57220	Screw, Taptite
4	36625	"E" Ring	53	54873	Trough, Oil Drain
5	52407	Bearing, Front Spindle	54	Engine	§See Footnote Below
6	55730	Front Axle Assembly	55	173063	Screw, Hex Hd, 5/16-18 x 3 1/2 In.
7	120369	*Nut, Hex, 3/8-24 Thd.	56		Engine Part
8	120382	*Lockwasher, Split, 3/8 In.	57	57908	Muffler
9	52387	Front Spindle Assembly	58	46708	Gasket, Muffler
10	41108	Tire, Front	59	57259	Belt Guide
11	642	Flatwasher, 3/4 In.	60	57315	Belt Guide
12	40394	Hub Cap	61	138489	Star Washer
13	39979	Bearing, Front Wheel	62	50947	Screw, Taptite, 3/8-16 x 1 1/4 In.
14	24167	Valve Stem	63	57211	Switch
15	39829	Wheel w/Bearing, Front	64	56430	Spacer
16	21275	Ball Joint	65	57333	Pulley
17	124925	*Nut, Hex, 3/8-24 Thd.	66	56431	Washer, Pilot
18	57194	Steering Link	67	120383	*Lockwasher, Split, 7/16 In.
19	57158	Ball Joint	68	181682	Screw, Hex Hd, 7/16-20 x 4 In.
20	52403	Shoulder Bolt, Front Axle Pivot	69	56432	Key
21	122168	*Screw, Hex Hd, 3/8-16 x 1 1/4 In.	70	41890	Shoulder Bolt
22	9413534	Locknut, 3/8-16 Thd.	71	39659	Belt Retainer
23	57151	Tie Rod Assembly	72	35374	Pulley, Idler
24	52388	Front Spindle Assembly, R.H.	73	4107	Washer, 5/8 In.
25	2483	Spring Washer	74	57202	Idler Arm
26	55633	Steering Wheel	75	45892	Carriage Bolt, Rd. Hd, 3/8-16 x 1 1/2 In.
27	456836	*Roll Pin, 1/4 x 2 1/4 In.	76	57204	Rod, Clutch
28	57212	Cover, Steering Shaft	77	57203	Brake Rod
29	57156	Shaft, Steering	78	56359	Spring, Clutch
30	454565	*Roll Pin, 1/4 x 1 1/4 In.	79	271184	*Keps Nut, 5/16-18 Thd.
31	52428	Pinion, Steering	80	57217	Bracket, Brake Rod
32	52405	Bushing	81	20507	Shoulder Bolt
33	22265	Washer, 1/2 In.	82	3021	Key, Woodruff
34	52382	Sector Gear	83	22053	Retaining Ring
35	52406	Eccentric	84	55520	Pulley
36	180177	*Screw, Hex Hd, 1/2-13 x 1 1/2 In.	85	57214	V-Belt
37	55514	Knob, Gear Shift	86	54690	Stabilizing Bracket
38	57169	Shift Lever	87	120638	*Lockwasher, Split, 5/16 In.
39	57269	Spacer, Transaxle	88	122007	*Screw, Hex Hd, 5/16-18 x 3/4 In.
40	137185	*Pin, Cotter, 1/8 x 1 In.	89	57164	Tire, Rear
41	56348	Shift Bracket	90	57165	Wheel, Rear
42	54767	Heat Shield, Muffler	91	39628	Key, 3/16 x 3/16 x 2 1/2 In.
43	120386	*Flatwasher, 5/16 In. I.D.	92	180112	*Screw, Hex Hd, 5/16-18 x 2 3/4 In.
44	Transaxle	Peerless, 5 speed, Model 900		63037	Operator's Manual (English)
45	42815	Flatwasher, 3/4 In. I.D.		63065	Owner's Manual (French)
46	9413447	Locknut, 5/16-18 Thd.		63066	Repair Parts Manual (English)
47	120393	Washer, 11/32 In.			
48	21682	Washer, 3/4 In.			
49	51579	Washer			

\*Standard Hardware Items - May Be Purchased Locally.

†Contact Tecumseh/Peerless authorized service dealer for parts and warranty.

§Contact Engine Manufacturer's authorized service dealer (See Engine Manual) for parts and warranty.

# 39" RIDING MOWER MODEL 3560-74



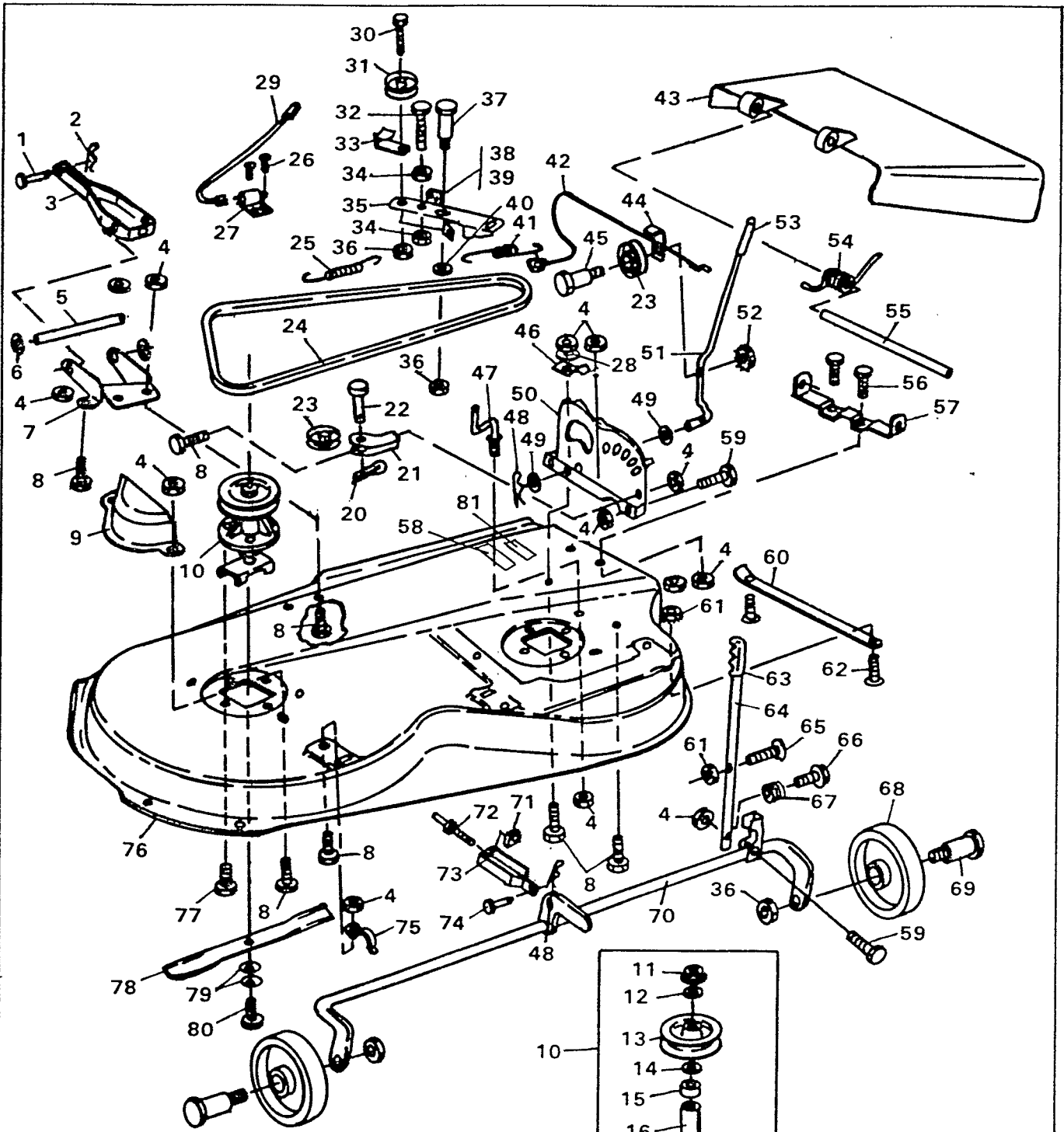
### 39" RIDING MOWER MODEL 3560-74

Key No.	Part No.	Description
1	57215	Screw, Taptite, 5/16-9 x 3/4 In.
2	50988	Gauge, Fuel
3	49050	Screw, Plastite, 1/4-20 x 3/4 In.
4	57799	Hood
5	56303	Edging, Hood
6	57159	Latch, Hood
7	8482	Shoulder Bolt
8	120394	*Flatwasher, 13/32 In.
9	53446	Pin, Hood Latch
10	138538	Lockwasher, Int. Tooth, 5/16 In.
11	54885	Pad, Fuel Tank
12	48812	Fuel Tank
13	45174	Locknut, Wide Fl, 5/16-18 Thd.
14	56045	Dash
15	271166	*Nut, Keps, No. 10-24 Thd.
16	50117	Throttle Control
17	995346	*Screw, Taptite, 1/4-20 x 1/2 In.
18	41008	Clamp, Fuel Line
19	57876	Tubing, Fuel Line
20	41482	Press Clip
21	35291	Screw, Hex Hd, No. 10-24 x 1/2 In.
22	70458	Decal, Dash
23	39486	Knob, Throttle Control
24	120834	*Screw, Hex Hd, 5/16-18 x 1/2 In.
25	120638	*Lockwasher, Split, 5/16 In.
26	20507	Shoulder Bolt
27	57417	Mounting Bracket, Seat
28	57500	Seat
29	44811	Screw, Taptite, 1/4-20 x 3/4 In.
30	57153	Spring, Seat
31	56060	Clip, Seat
32	57170	Fender Assembly
33	56907	Cover, Spring
34	9413447	Locknut, 5/16-18 Thd.

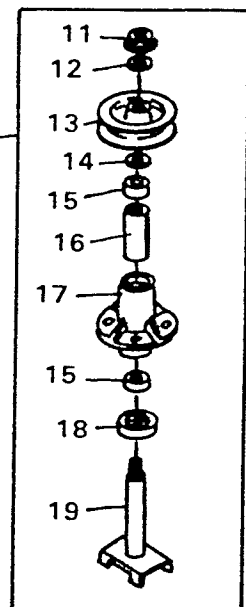
Key No.	Part No.	Description
35	57152	Bracket, Support
36	120228	*Screw, Hex Hd, 5/16-18 x 5/8 In.
37	122017	*Screw, Hex Hd, 5/16-18 x 1 In.
38	446363	*Flatwasher, 3/8 In.
39	70117	Decal, Caution
40	57461	Console
41	20864	Retaining Ring
42	57213	Spring, Brake Pedal Return
43	57196	Rod, Brake-Clutch
44	57820	Food Pad, R.H.
45	52785	Pad, Brake Pedal
46	52575	Brake Pedal Assembly
47	57462	Main Frame
48	53402	Grille
49	36149	Shoulder Bolt
50	57798	Bracket, Grille, R.H.
51	57797	Bracket, Grille, L.H.
52	55835	Pad, Hood Top
53	57821	Foot Pad, L.H.
54	57362	Upstop Bolt
55	56361	Bracket, Axle Support
56	55836	Pad, Hood Side
57	55511	Ground Wire
58	43964	Bracket, Deck Guide Support
59	120386	*Flatwasher, 5/16 In.
60	49777	Guide, Rear Deck
61	54806	Spacer
62	56030	Screw, Hex Hd, 5/16-18 x 3/4 In.
63	55273	Locknut, Wide Flange, 5/16-18 Thd.
64	54807	Spring, Return
65	57259	Belt Guide
66	57569	Retainer, Wire
67	9413534	Locknut, 3/8-16 Thd.
68	55540	Bulkhead, Dash

\*Standard Hardware Items - May Be Purchased Locally.

39" RIDING MOWER MODEL 3560-74



ALL UNNUMBERED  
ITEMS ARE INTERCHANGEABLE  
WITH OPPOSITE SIDE



**NOTE: ALWAYS USE ORIGINAL  
EQUIPMENT PARTS** Use of  
service/replacement parts other  
than original equipment parts may  
void your warranty

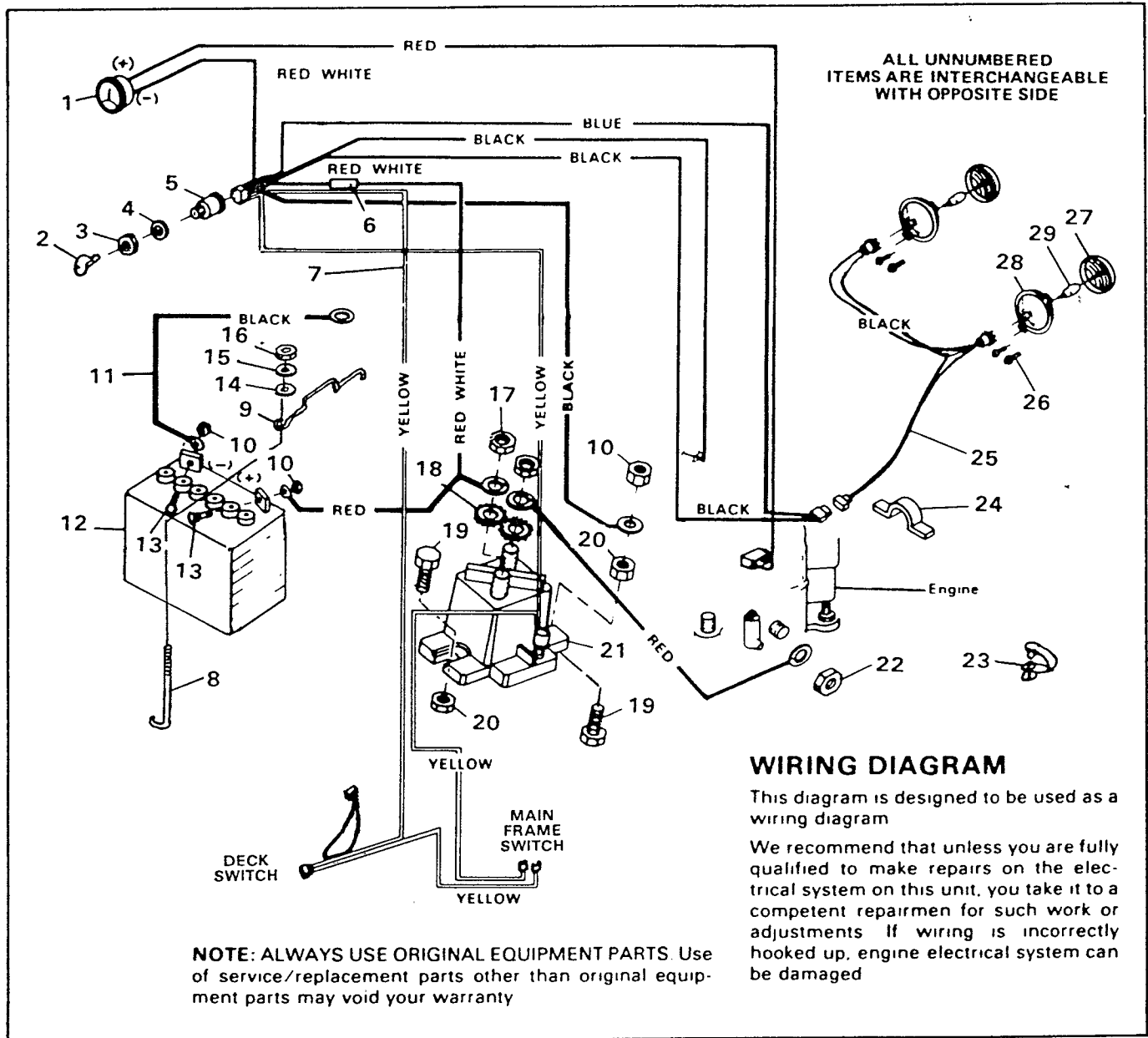
### 39" RIDING MOWER MODEL 3560-74

Key No.	Part No.	Description
1	47816	Pin, Clevis
2	56180	Hairpin Cotter
3	57340	Pivot Bracket
4	9413447	Locknut, 5/16-18 Thd.
5	57196	Pin, Pivot
6	20864	"E" Ring
7	57327	Lift Support Plate
8	120228	*Screw, Hex Hd, 5/16-18 x 5/8 In.
9	57328	Belt Guard, L.H. Pulley
10	56424	Quill Assy (Incl. Nos. 11-19)
11	51445	Locknut, Flange
12	56365	Flatwasher
13	56390	Pulley
14	51449	Spacer
15	49562	Bearing
16	50818	Spacer, Tube
17	55547	Quill
18	50616	Dust Shield
19	56425	Saddle & Shaft Assy.
20	121222	*Cotter Pin, 3/32 x 3/4 In.
21	49320	Support, Cable Pulley
22	49332	Pin, 3/8 x 1 In.
23	39298	Pulley, Nylon
24	57298	V-Belt
25	35410	Spring
26	57220	Screw, Taptite
27	57211	Switch, Deck
28	120386	*Flatwasher, 5/16 In. I.D.
29	57764	Wire Assembly, Deck
30	57325	Carriage Bolt, 3/8 - 16 x 2 In.
31	52694	Pulley, Idler
32	121954	*Screw, Hex Hd, 1/4 - 20 x 2 In.
33	52695	Retainer, Belt
34	271172	Keps Nut, 1/4 - 20 Thd.
35	57581	Idler Arm Assy. (Incl. Nos. 38 & 39)
36	9413534	Locknut, 3/8 - 16 Thd.
37	57323	Shoulder Bolt
38	41601	Rivet, Brake Pad
39	41471	Brake Pad
40	996416	*Flatwasher, 3/8 In.

\*Standard Hardware Items - May Be Purchased Locally.

Key No.	Part No.	Description
41	57316	Spring, Clutch
42	57326	Clutch Cable
43	57818	Chute Guard
44	52456	Retainer, Cable
45	57322	Shoulder Bolt
46	57321	Spring
47	57318	Retainer, Belt
48	8260	Hairpin Cotter
49	120396	Flatwasher
50	57337	Quadrant
51	57339	Clutch Lever
52	9424215	Locknut, 1/4 - 20 Thd.
53	46478	Grip, Clutch Lever
54	57334	Spring, Discharge Chute
55	57317	Rod, Pivot
56	120834	*Screw, Hex Hd, 5/16 - 18 x 1/2 In.
57	57360	Bracket, Pivot
58	70159	Decal, Height Adjust
59	122040	Screw, Hex Hd, 5/16 - 18 x 1 1/2 In.
60	57314	Skid Bar
61	271184	*Keps Nut, 5/16 - 18 Thd.
62	126216	*Carriage Bolt, 5/16 - 18 x 3/4 In.
63	56924	Grip, Height Adjust Lever
64	57329	Height Adjust Lever
65	57324	Screw, Latch
66	995346	Screw, Taptite, 1/4 - 20 x 1/2 In.
67	57319	Spring
68	52584	Wheel, Deck
69	23763	Wheel Axle
70	<del>57338</del>	Pivot Tube Assy. <b>310 226</b>
71	120372	*Nut, Square, 1/4 - 20 Thd.
72	57313	Lift Cable
73	39404	Clevis, Lift Cable
74	39522	Pin, Clevis
75	51985	Support, Pivot Tube
76	57045	Mower Deck
77	50634	Screw, Taptite, 5/16 - 18 x 7/8 In.
78	57299	Blade
79	2483	Formed Washer
80	39573	Screw, Hex Hd, 3/8-24 x 1 In.
81	68547	Decal, Caution

# 39" RIDING MOWER MODEL 3560-74



Key No.	Part No.	Description
1	39463	Ammeter
2	49643	Key, Ignition
3	48140	Locknut (Switch part)
4	138557	Lockwasher (Switch Part)
5	52583	Switch, Ignition w/Keys
6	49211	Fuse
7	57625	Wire Harness Assembly
8	57552	Battery Rod
9	57551	Bracket, Battery, Hold-Down
10	271172	*Nut, Keps, 1/4-20 Thd.
11	55511	Ground Wire
12	52936	Battery
13	126203	*Carriage Bolt, 1/4-20 x 5/8 In.
14	120392	Flatwasher, 1/4 In.
15	120380	Lockwasher, Split
16	120375	*Nut, Hex, 1/4-20 Thd.
17	120368	*Nut, Hex, 5/16-24 Thd.

Key No.	Part No.	Description
18	138485	*Washer, Ext., Shakeproof, 5/16 In.
19	187745	*Screw, Hex Hd, 1/4-20 x 3/4 In.
20	9424215	Locknut, Hex, 1/4-20 Thd.
21	53716	Solenoid
22		Engine Part
23	54888	Retainer, Wire
24	41482	Wire Clip, Press
25	56189	Lead Wire, Headlight
26	50668	Screw, Hex Wa. Hd, No. 10-14 x 1/2 In.
27	52572	Bulb, Headlight
28	52571	Bezel, Headlight
29	52570	Lens, Headlight
30	126216	Carriage Bolt, 5/16-18 x 3/4 In.
31	271184	Nut, Keps, 5/16-18 Thd.
32	57764	Wire Assembly, Deck

\*Standard Hardware Items - May Be Purchased Locally.