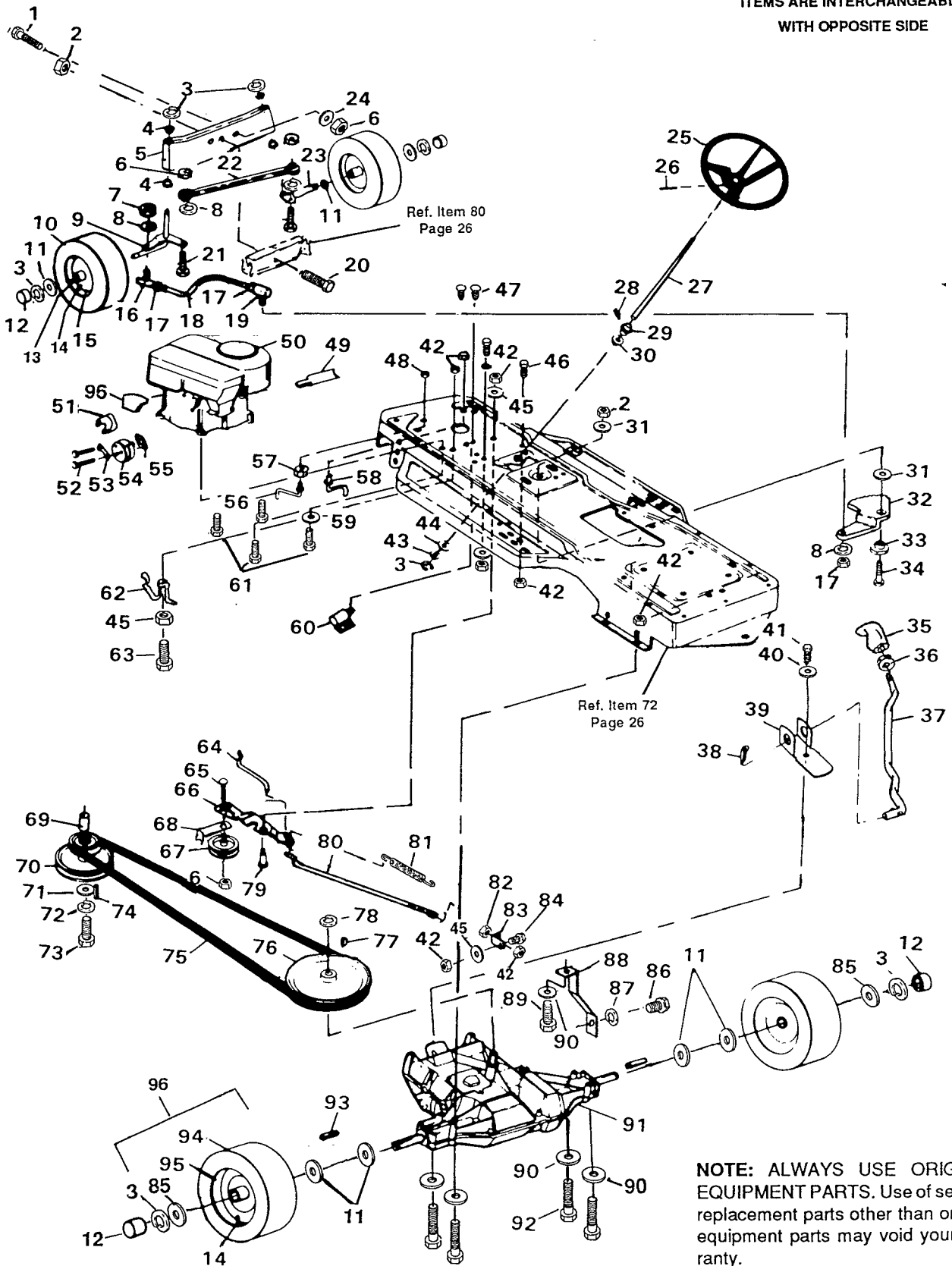


A3560-220

RESERVEDELSKATALOG

39" RIDING MOWER MODEL A3560-2200

ALL UNNUMBERED
ITEMS ARE INTERCHANGEABLE
WITH OPPOSITE SIDE



NOTE: ALWAYS USE ORIGINAL EQUIPMENT PARTS. Use of service/replacement parts other than original equipment parts may void your warranty.

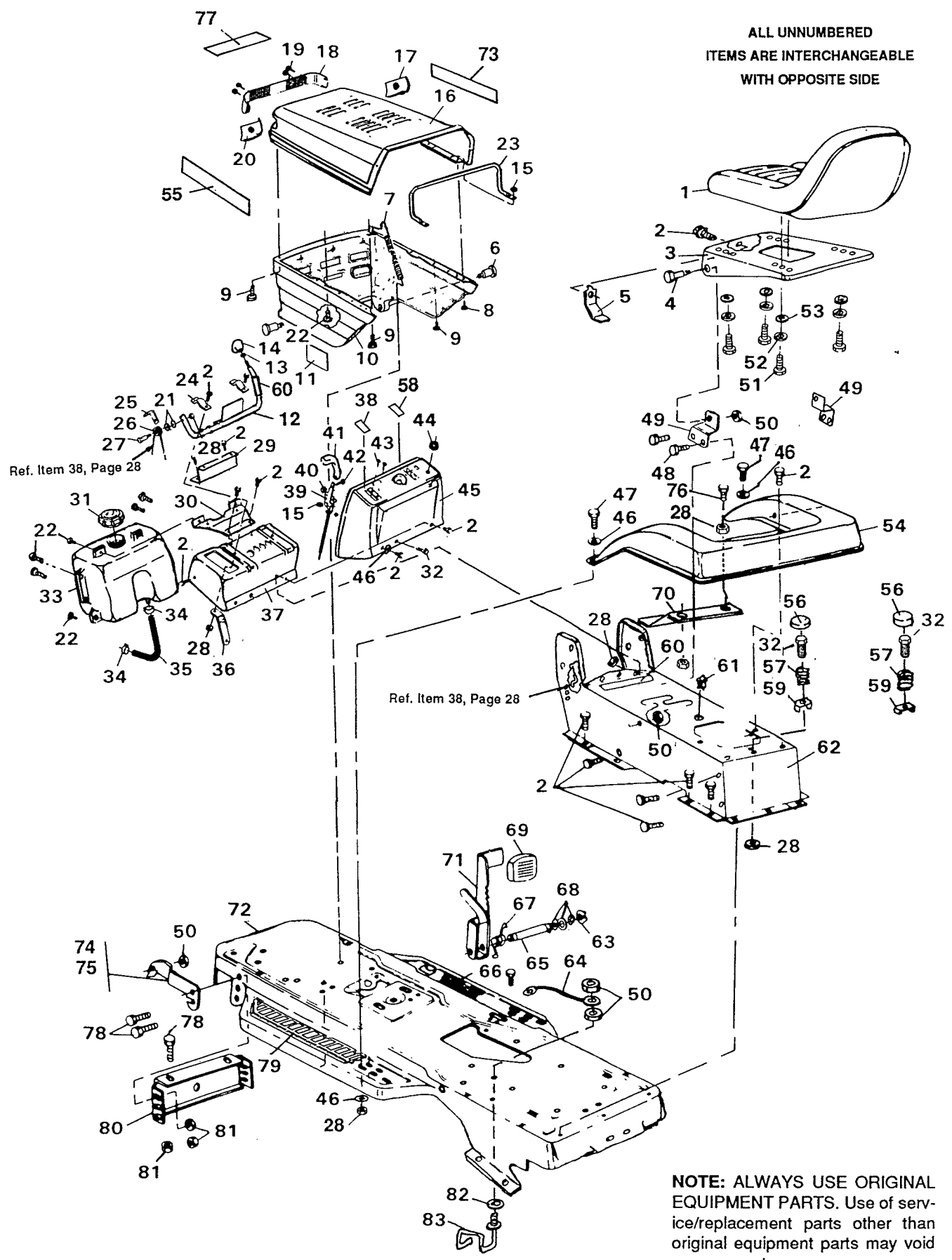
39" RIDING MOWER MODEL A3560-2200

Key No.	Part No.	Description
1	122207	* Screw, Hx Hd, 3/8-16 x 3 In. ↖
2	1500	Locknut, 1/2-13 Thd.
3	36625	"E" Ring
4	52407	Bearing, Front Spindle
5	55730	Front Axle —
6	1499	Locknut, 3/8-16 Thd.
7	120369	* Nut, Hx, 3/8-24 Thd.
8	120382	* Lockwasher, Split, 3/8 In.
9	302925	Front Spindle Assembly, L. H.
10	301140	Tire Assembly, Front
11	642	Flatwasher, 3/4 In.
12	40394	Hub Cap
13	39979	Bearing, Front Wheels
14	24167	Valve Stem
15	39829	Wheel w/Bearing, Front
16	21275	Ball Joint
17	46692	* Nut, Hx, 3/8-24 Thd. ↖
18	58291	Steering Link
19	57158	Ball Joint
20	58246	Shoulder Bolt, Front Axle Pivot
21	180128	* Screw, Hx Hd, 3/8-16 x 1-3/4 In.
22	304590	Tie Rod Assembly
23	302926	Front Spindle Assembly, R. H.
24	2483	Spring Washer
25	301251	Steering Wheel
26	456378	* Roll Pin, 1/4 x 2 In.
27	58243	Shaft, Steering
28	58274	Pin, Dowel
29	58244	Pinion, Steering
30	301410	Bushing
31	22265	Washer, 1/2 In.
32	58289	Sector Gear
33	52406	Eccentric ↖
34	180177	* Screw, Hx Hd, 1/2-13 x 1-1/2 In. ↖
35	304438	Knob, Gear Shift
36	120238	Jam Nut, 1/2-13 Thd.
37	302743	Shift Lever
38	137185	* Pin, Cotter, 1/8 x 1 In.
39	57480	Shift Bracket
40	57157	Washer
41	56255	Screw, Hx Hd, 1/4-20 x 3/4 In.
42	1498	Locknut, 5/16-18 Thd.
43	21682	Washer, 3/4 In.
44	301398	Washer
45	45602	Washer, 5/16 In.
46	120229	* Screw, Hx Hd, 5/16-18 x 7/8 In.
47	57220	Screw, Taptite
48	124824	Jam Nut, 5/16-18 x 5/8 In.
49	54873	Trough, Oil Drain
50	Engine	See Engine Manual

Key No.	Part No.	Description
51	54767	Heat Shield, Muffler
52	173063	Screw, Hx Hd, 5/16-18 x 3-1/2 In.
53		Engine Part
54	305367	Muffler
55	46708	Gasket, Muffler
56	300635	Belt Guide ↖
57	271190	* Nut, Keps, 3/8-16 Thd.
58	300440	Belt Guide
59	138489	Star Washer
60	57476	Switch
61	50947	Screw, Taptite, 3/8-16 x 1-1/4 In.
62	58356	Belt Guide
63	180079	* Screw, Hx Hd, 5/16-18 x 1 In.
64	57204	Rod, Clutch
65	45892	Carriage Bolt, Rd Hd, 3/8-16x1-1/2 In.
66	300154	Idler Arm
67	303031	Pulley, Idler
68	39659	Belt Retainer
69	304246	Spacer
70	58361	Pulley
71	56431	Washer, Pilot
72	120383	* Lockwasher, Split, 7/16 In.
73	428644	* Screw, Hx Hd, 7/16-20 x 5 In. ↖
74	57791	Key
75	57214	V-Belt
76	302745	Pulley
77	3021	Key, Woodruff
78	22053	Retaining Ring
79	300793	Shoulder Bolt
80	57203	Brake Rod
81	56359	Spring, Clutch
82	271184	* Nut, Keps, 5/16-18 Thd.
83	57217	Bracket, Brake Rod ↖
84	20507	Shoulder Bolt
85	42815	Flatwasher, 3/4 In.
86	35498	Screw, Taptite, 5/16-18 x 3/4 In.
87	120368	* Lockwasher, Split, 5/16 In.
88	12632	Stabilizing Bracket
89	122017	* Screw, Hx Hd, 5/16-18 x 1 In.
90	120393	* Flatwasher, 11/32 In.
91	Transaxle	^ Peerless 5 Speed, Model 920-019
92	180089	* Screw, Hx Hd, 5/16-18 x 2-1/4 In.
93	39628	Key, 3/16 x 3/16 x 2-3/4 In.
94	57164	Tire, Rear
95	57165	Wheel, Rear
96	302967	Speed Reducer
97	313266	Owner's Manual (not illustrated)

(*) Standard hardware Items - May Be Purchased Locally.

39" RIDING MOWER MODEL A3560-2200



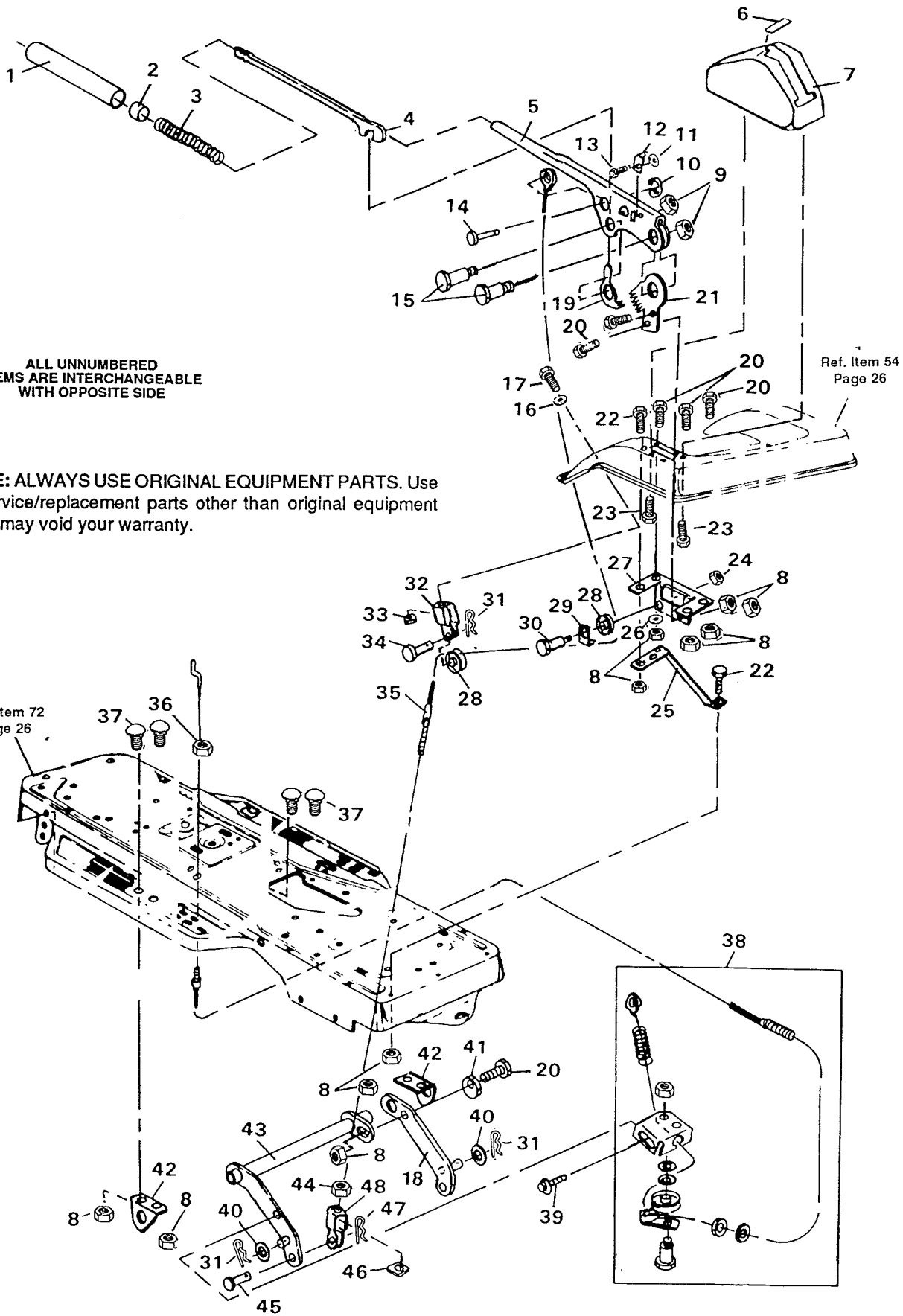
39" RIDING MOWER MODEL A3560-2200

Key No.	Part No.	Description
1	307661	Seat
2	995346	* Screw, Taptite, 1/4-20 x 1/2 In.
3	307024	Mounting Bracket, Seat
4	20507	Shoulder Bolt
5	58277	Bracket, Seat Switch
6	56676	Shoulder Bolt
7	57478	Spring, Hood
8	301542	Screw, Hex Hd, No. 10-24 x 1 In.
9	300302	Screw, Taptite No. 10-24 x 1/2 In.
10	303037	Grille, Lower
11	301452	Decal, Heat Reflector
12	9792	Lever, Mower Drive Control
13	120238	Jam Nut, 1/2-13 Thd.
14	304438	Knob
15	271166	Locknut, No. 10-24 Thd.
16	307035	Hood
17	301540	Reflector, Headlight, R. H.
18	302333	Lens, Headlight
19	57796	Screw, Plastite, No. 6 x 1/2 In.
20	301541	Reflector, Headlight, L.H.
21	120392	Flatwasher, 1/4 In.
22	300303	Screw, Plastite, 1/4-20 x 3/4 In.
23	301425	Support, Hood
24	9129	Bracket, Retaining
25	1288	Retainer, Cable Bracket
26	39298	Pulley
27	57322	Shoulder bolt
28	1502	Locknut, 1/4-20 Thd.
29	9197	Brace, Dash & Fuel Tank
30	9744	Bracket, Fuel Tank
31	300304	Cap, Fuel Tank
32	44811	Screw, Taptite, 1/4-20 x 3/4 In.
33	303043	Fuel Tank
34	41008	Clamp, Fuel Line
35	47452	Tubing, Fuel Line
36	9208	Brace, Dash
37	9132	Dash, Metal Support
38	302049	Decal, Dash, L. H.
39	303159	Throttle Control
40	120622	Nut, Hex, No. 8-32 Thd.
41	300508	Knob, Throttle Control
42	159585	Screw, Pan Hd, No. 8-32 x 3/8 In.
43	159943	Screw, Pan Hd, No. 10-24 x 5/8 In.
44	300194	Boot, Ignition Switch
45	305428	Dash, Plastic Cover

Key No.	Part No.	Description
46	120386	Flatwasher
47	122017	* Screw, Hex Hd, 5/16-18 x 1 In.
48	120228	* Screw, Hex Hd, 5/16-18 x 5/8 In.
49	311249	Bracket, Support
50	1498	Locknut, 5/16-18 Thd.
51	122007	* Screw, Hex Hd, 5/16-18 x 3/4 In.
52	120638	* Lockwasher, Split, 5/16 In.
53	120393	* Flatwasher, 11/32 In.
54	307365	Fender Assembly <i>58334</i>
55	305603	Foam Pad, L.H.
56	56907	Cover, Spring
57	57153	Spring, Seat
58	300445	Decal, Dash R.H.
59	1341	Clamp, Seat Spring
60	302445	Shift Tube
61	57547	Switch
62	311242	Console
63	20864	Retaining Ring
64	55511	Ground Wire
65	57196	Rod, Brake-Clutch
66	310006	Foot Pad, R.H.
67	57847	Spring, Return
68	2968	Flatwasher
69	52785	Pad Brake Pedal
70	304932	Fender Bracket
71	9243	Brake Pedal
72	311243	Main Frame
73	305602	Foam, R.H.
74	9784	Bracket, Grille, R. H.
75	9785	Bracket, Grille, L. H.
76	180022	Screw, 1/4 - 20 x 1 In.
77	305604	Foam, Top Hood (2)
78	56030	Screw, Hex Hd, 5/16-18 x 3/4 In.
79	310005	Foot Pad, L. H.
80	56361	Bracket, Front Axle
81	55273	Nut, Hex, 5/16-18 Thd.
82	138538	Lockwasher, Internal Tooth
83	57259	Belt Guide

(* Standard Hardware Items - May Be Purchased Locally.)

39" RIDING MOWER MODEL A3560-2200



ALL UNNUMBERED
ITEMS ARE INTERCHANGEABLE
WITH OPPOSITE SIDE

NOTE: ALWAYS USE ORIGINAL EQUIPMENT PARTS. Use of service/replacement parts other than original equipment parts may void your warranty.

39" RIDING MOWER MODEL A3560-2200

Key No.	Part No.	Description
1	58329	Hand Grip, Height Adjust Lever
2	58325	Knob, Height Adjust Lever
3	58326	Spring, Height Adjust Lever
4	303027	Actuator Rod, Height Adjust Lever
5	9788	Lever, Height Adjust
6	301897	Decal, Height Adjust
7	300339	Cover, Height Adjust Lever
8	1498	Locknut, Hex, 5/16-18 Thd.
9	44108	Wide Flange Locknut, 5/16-18 Thd.
10	300311	"E" Ring
11	138479	Lockwasher, Ext. Lock
12	9435	Pointer, Height Adjust Lever
13	35287	Screw, Hex Wa Hd, No. 8-32 x 3/8 In.
14	300310	Pin, Clevis
15	300171	Shoulder Bolt
16	301551	Washer, Curved, 11/32 In.
17	439455	Screw, Pan Hd, 5/16-18 x 9/16 In.
18	9186	Link Assembly, Right Side
19	301239	Pawl, Height Adjust
20	180077	* Screw, Hex Hd, 5/16-18 x 3/4 In.
21	301238	Quadrant
22	180079	* Screw, Hex Hd, 5/16-18 x 1 In.
23	300302	Screw, No. 10 x 1/2 In.
24	1502	Locknut, Hex, 1/4-20 Thd.
25	307367	Brace, Fender

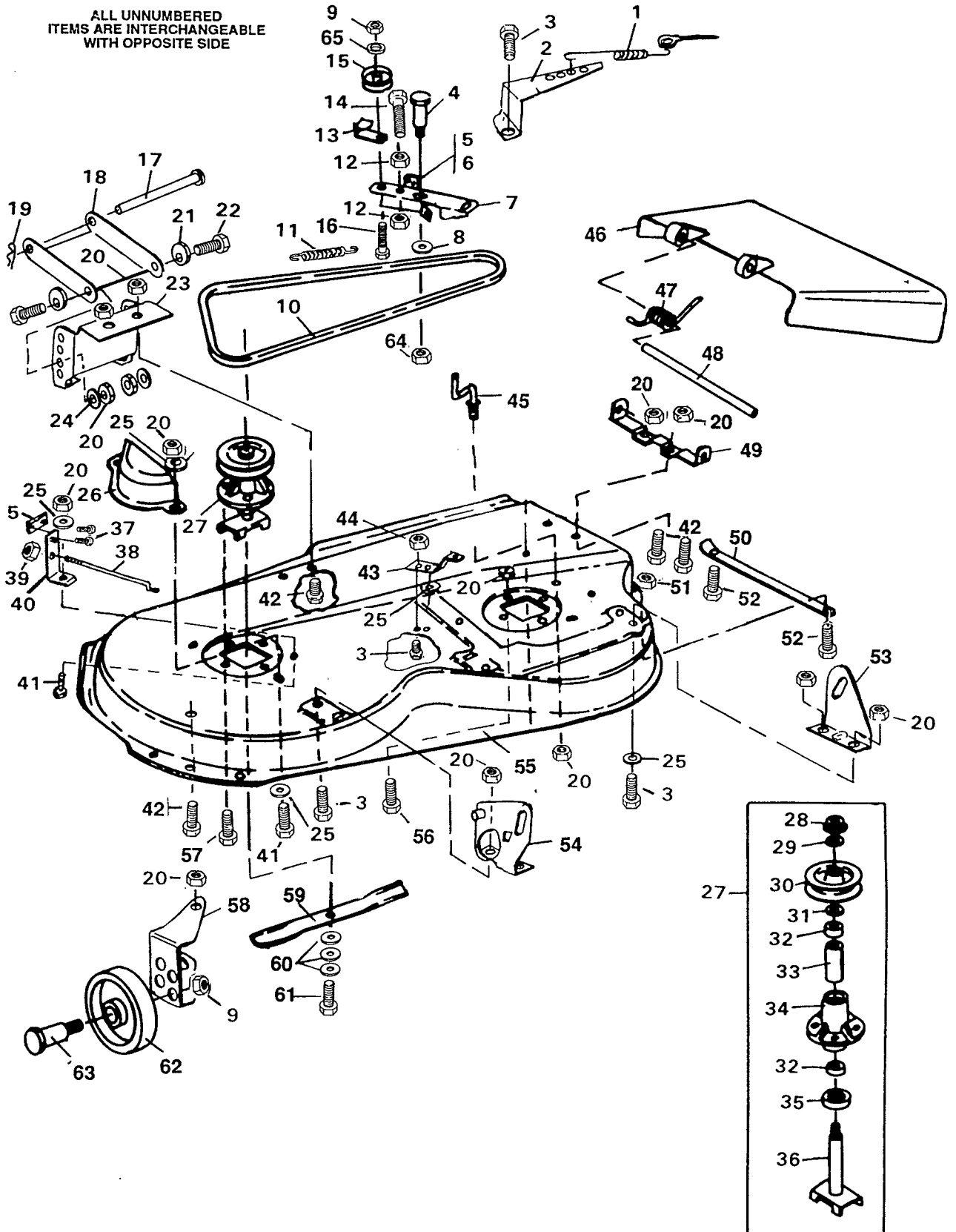
Key No.	Part No.	Description
26	45602	Spacer Washer
27	58333	Bracket, Support, Height Adjust Lever
28	39298	Pulley
29	9149	Bracket, Cable Retainer
30	58336	Shoulder Bolt
31	8260	Hair Pin Cotter
32	9239	Clevis
33	120373	Nut, Square, 5/16-18 Thd.
34	300317	Pin, Clevis
35	300341	Cable, Deck Lift
36	120613	* Nut, Hex, 1/4-28 Thd.
37	126211	* Carriage Bolt, 5/16-18 x 5/8 In.
38	301491	Cable Assy, Blade Engage/Disengage
39	35498	Screw, Taptite, 5/16-18 x 3/4 In.
40	120396	* Flatwasher, 17/32 In.
41	58247	Nut, Adjusting
42	9117	Bracket, Rear Hanger
43	9185	Rear Lift Assembly
44	120375	* Nut, Hex, 1/4-20 Thd.
45	39522	Clevis, Pin
46	120372	* Nut, Square, 1/4-20 Thd.
47	121222	* Cotter Pin, 3/32 x 3/4 In.
48	9405	Rear Clevis, Lift Cable

(* Standard Hardware Items - May Be Purchased Locally.)

39" RIDING MOWER MODEL A3560-2200

NOTE: ALWAYS USE ORIGINAL EQUIPMENT PARTS. Use of service/replacement parts other than original equipment parts may void your warranty.

ALL UNNUMBERED ITEMS ARE INTERCHANGEABLE WITH OPPOSITE SIDE



39" RIDING MOWER MODEL A3560-2200

Key No.	Part No.	Description
1	300473	Spring
2	9401	Extension, Idler Arm
3	180077	* Screw, Hex Hd, 5/16-18 x 3/4 In.
4	300180	Shoulder Bolt
5	306973	Brake Pad
6	135624	Rivet, Brake Pad
7	300491	Idler Arm Bracket
8	996416	* Flatwasher, 3/8 In.
9	1499	Locknut, 3/8-16 Thd.
10	300680	V-Belt
11	35410	Spring
12	271172	* Nut, Keps, 1/4-20 Thd.
13	1346	Retainer, Belt
14	121954	* Screw, Hex Hd, 1/4-20 x 2 In.
15	303030	Pulley, Idler
16	57325	Carriage Bolt, 3/8-16 x 2 In.
17	58306	Rod, Deck Hitch
18	58305	Bracket, Deck Front
19	8260	Hair Pin Cotter
20	1498	Locknut, 5/16-18 Thd.
21	58247	Nut, Adjusting
22	122017	* Screw, Hex Hd, 5/16-18 x 1 In.
23	58315	Lift Support Plate
24	35214	Flatwasher, 21/64 In.
25	120393	* Flatwasher, 11/32 In.
26	302833	Belt Guard, L.H. Pulley
27	56424	Quill Assembly (Incl. Nos. 28-36)
28	1282	Locknut, Flange
29	56365	Flatwasher
30	56390	Pulley
31	51449	Spacer
32	49562	Bearing
33	50818	Spacer Tube
34	55547	Quill

Key No.	Part No.	Description
35	50616	Dust Shield
36	56425	Saddle & Shaft Assembly
37	41601	Rivet, Brake Pad
38	300316	Rod, Brake Release
39	1502	Locknut, 1/4-20 Thd.
40	303246	Blade Brake
41	120228	* Screw, Hex Hd, 5/16-18 x 5/8 In.
42	120834	* Screw, Hex Hd, 5/16-18 x 1/2 In.
43	300179	Bracket, Idler
44	44108	Nut, Hex, Wide Flange, 5/16-18 Thd.
45	57318	Retainer, Belt
46	57818	Discharge Chute
47	55767	Spring, Discharge Chute
48	57317	Rod Pivot
49	57360	Bracket, Pivot
50	57314	Skid Bar
51	271184	* Nut, Keps, 5/16-18 Thd.
52	126216	* Carriage Bolt, 5/16-18 x 3/4 In.
53	58250	Bracket, Lift, R.H.
54	58251	Bracket, Lift, L.H.
55	306384	Mower Deck
56	300345	Screw, Taptite, 5/16-18 x 1 3/8 In.
57	50634	Screw, Taptite, 5/16-18 x 7/8 In.
58	300103	Bracket, Wheel Mount
59	57299	Blade 309 069
60	2483	Formed Washer
61	39573	Screw, Hex Hd, 3/8-24 x 1 In.
62	52584	Wheel, Deck
63	23763	Wheel Axle
64	45171	Locknut, Flange
65	120382	Split Lockwasher, 25/64 In.

(*) Standard Hardware Items - May Be Purchased Locally.

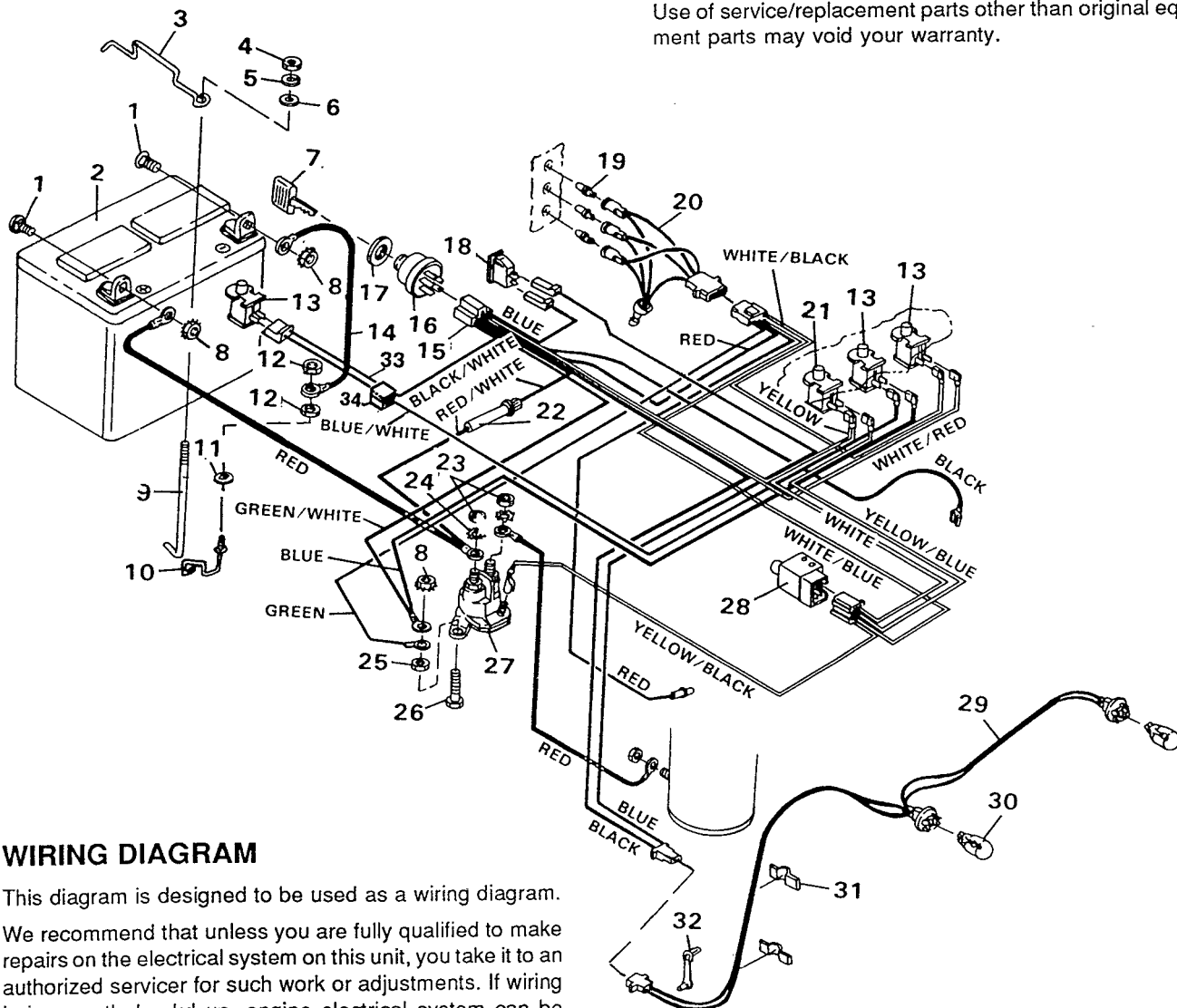
39" RIDING MOWER MODEL A3560-2200

Key No.	Part No.	Description
1	120854	Screw, Hex Hd, 1/4-20 x 5/8 In.
2	302257	Battery <i>52936</i>
3	57552	Bracket, Battery Hold-Down
4	120375	* Nut, Hex, 1/4-20 Thd.
5	120380	Lockwasher, Split
6	120392	Flatwasher, 9/32 In.
7	300626	Key, Ignition Switch
8	271172	* Keps Nut, 1/4-20 Thd.
9	57551	Rod, Battery Hold-Down
10	57259	Belt Guide
11	138538	Lockwasher, Internal Tooth
12	1498	* Locknut, Hex, 5/16-18 Thd. <i>Side</i>
13	58277	Switch, Interlock System <i>Volley PD</i>
14	55511	Ground Wire
15	300331	Wire Harness Assembly
16	300295	Switch, Ignition
17	300193	Nut, Plastic, Ignition Switch

Key No.	Part No.	Description
18	300334	Switch, Headlight
19	57769	Bulb, Indicator
20	300965	Wire Harness Assy, Indicator Light
21	300220	Switch, No Start
22	302031	Fuse
23	120368	* Nut, Hex, 5/16-24 Thd.
24	138485	Lockwasher, External Lock
25	1502	Locknut, Hex, 1/4-20 Thd.
26	187745	* Screw, Hex Hd, 1/4-20 x 3/4 In.
27	53716	Solenoid
28	57476	Switch, Clutch Interlock <i>Hold</i>
29	303064	Harness, Headlight
30	52572	Bulb, Headlight
31	41482	Retainer, Harness, Press-On
32	54888	Retainer, Harness
33	305431	Pigtail Wire Assembly
34	305511	Connector Body

(* Standard Hardware Items - May Be Purchased Locally.)

NOTE: ALWAYS USE ORIGINAL EQUIPMENT PARTS.
Use of service/replacement parts other than original equipment parts may void your warranty.



WIRING DIAGRAM

This diagram is designed to be used as a wiring diagram. We recommend that unless you are fully qualified to make repairs on the electrical system on this unit, you take it to an authorized servicer for such work or adjustments. If wiring is incorrectly hooked up, engine electrical system can be damaged.