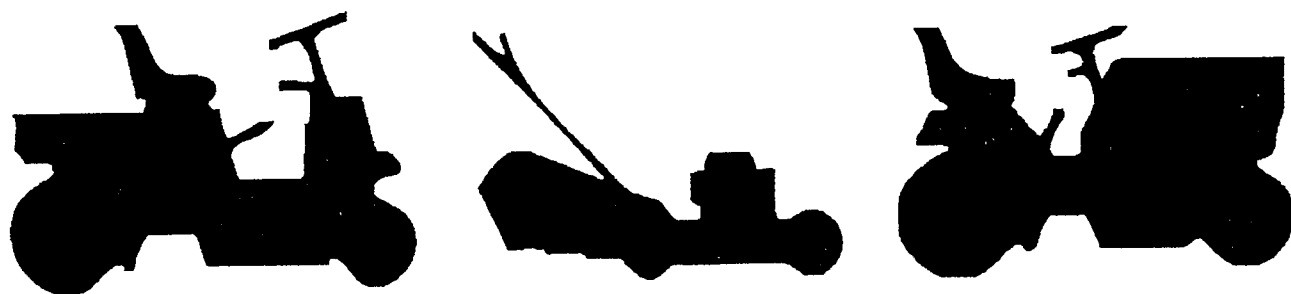
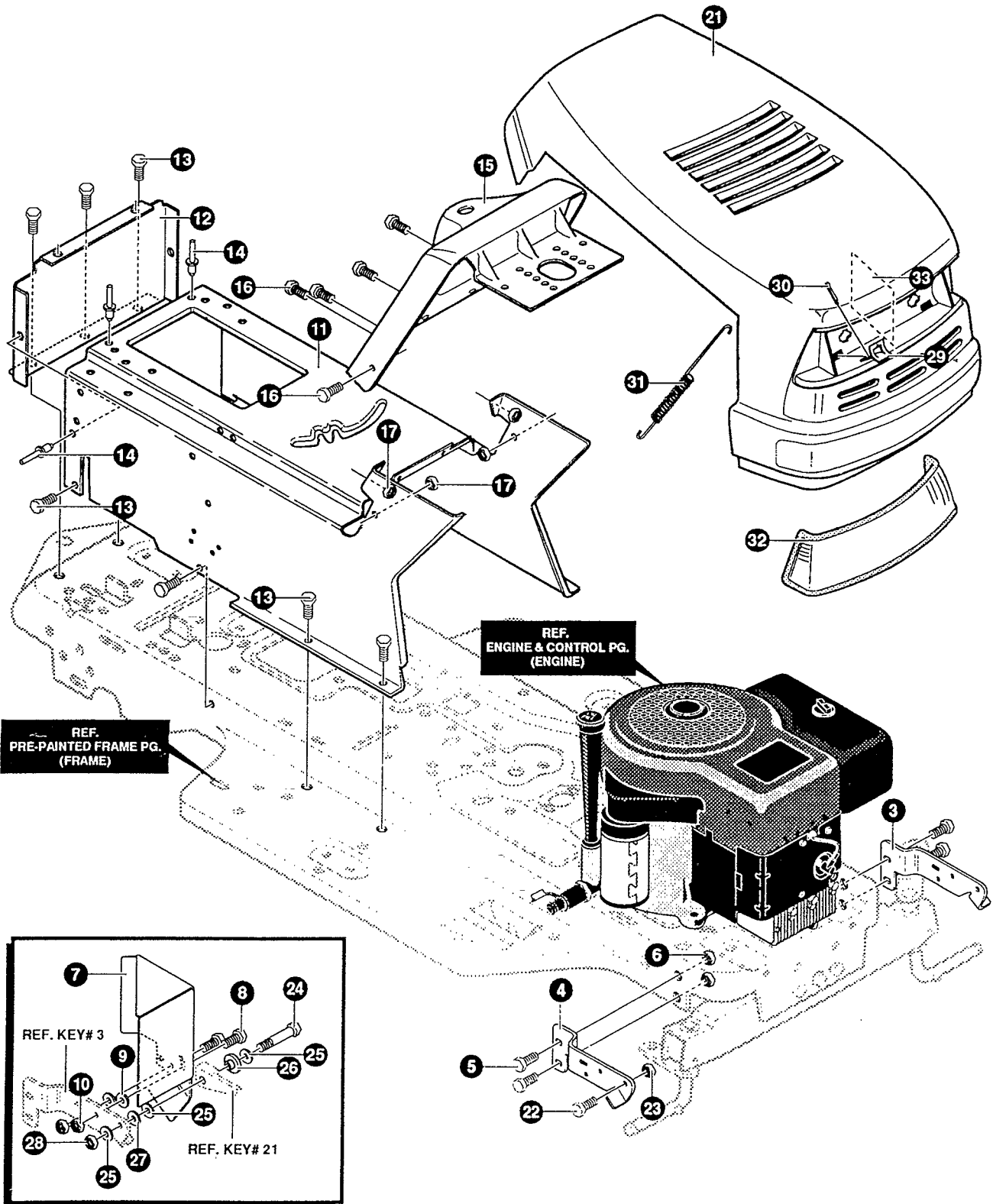


**(GB) Parts List - Riding Mower TEXAS Model 120-97**

**(DK) Reservedelsliste - Plænetraktor TEXAS Model 120-97**

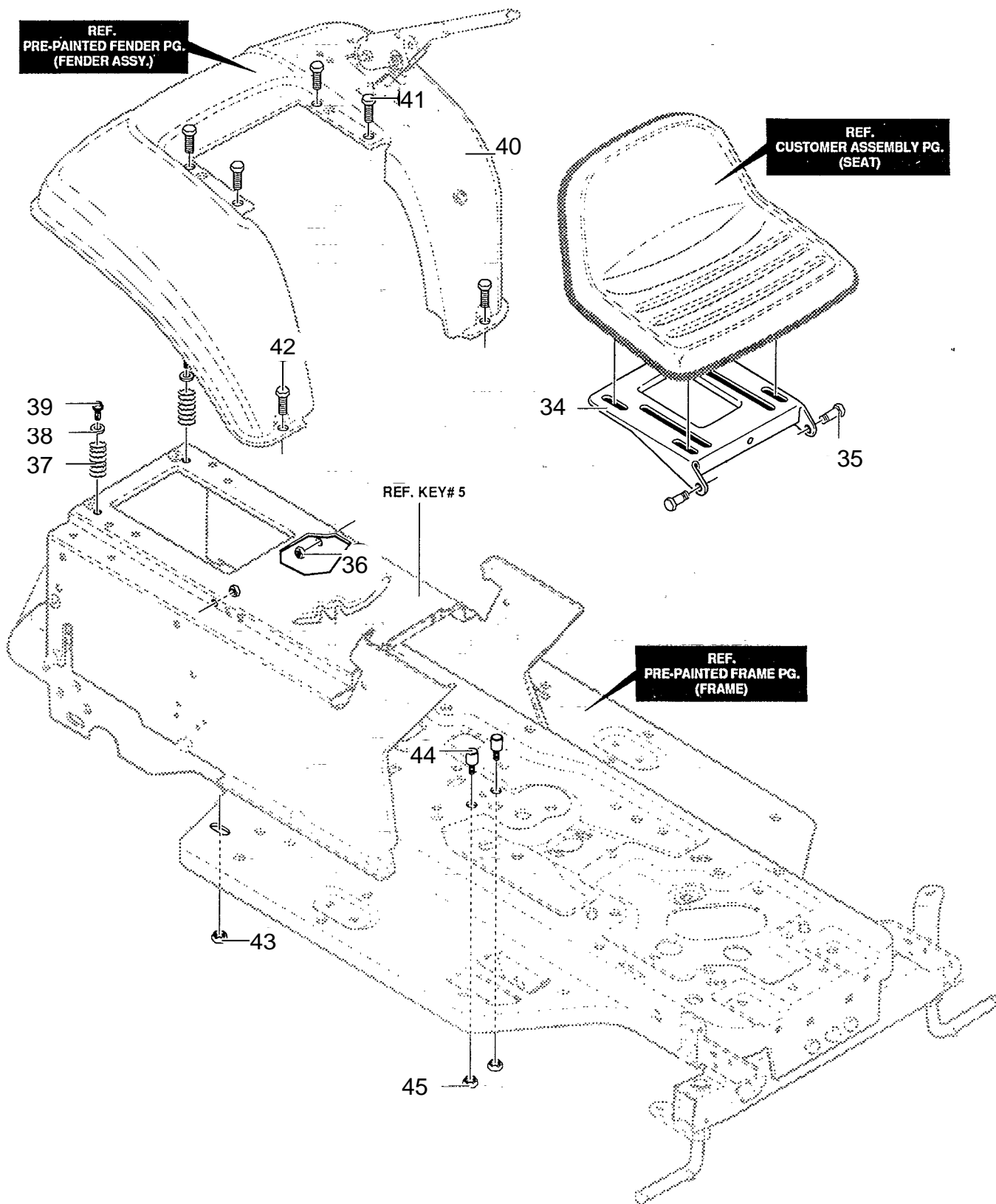




NOTE: ALWAYS USE ORIGINAL EQUIPMENT PARTS. Use of service/replacement parts other than original equipment parts may void your warranty.

ALL UNNUMBERED ITEMS ARE INTERCHANGEABLE WITH OPPOSITE SIDE

| KEY# | PART#      | DESCRIPTION                         | QTY |
|------|------------|-------------------------------------|-----|
| 3    | 313001-853 | BRACKET, GRILLE SUPPORT LH .....    | 1   |
| 4    | 313002-853 | BRACKET, GRILLE RH .....            | 1   |
| 5    | 328154     | SCREW, 5/16-18X1.0WDFLLK .....      | 4   |
| 6    | 55273      | NUT, 5/16-18 WDFLLKLRG WHIZ .....   | 4   |
| 7    | 312908-853 | HEAT SHIELD .....                   | 1   |
| 8    | 180020     | SCREW, 1/4-20X .75 .....            | 2   |
| 9    | 311245     | FLATWASHER .250X.75X INSULATE ..... | 2   |
| 10   | 51335      | NUT, 1/4-20 WDFLWHIZ-LK .....       | 2   |
| 11   | 331796-853 | CONSOLE, .....                      | 1   |
| 12   | 56235-853  | CONSOLE, REAR COVER .....           | 1   |
| 13   | 710264     | SCREW, 1/4-20X.50 WAHHTAP .....     | 11  |
| 14   | 46763      | RIVET, POP .187DIA X.450LG .....    | 4   |
| 15   | 320466     | DASH .....                          | 1   |
| 16   | 44811      | SCREW, 1/4-20X1.75 .....            | 6   |
| 17   | 50352      | NUT, 1/4-20WDFLLK TOPLOCK .....     | 4   |
| 21   | 12506      | HOOD .....                          | 1   |
| 22   | 56676      | BOLT, .375X .580 HSH 5/16-18 .....  | 1   |
| 23   | 1498       | NUT, 5/16-18 REGHEXCTRLK .....      | 1   |
| 24   | 180042     | SCREW, 1/4-20X1.75 HHC .....        | 1   |
| 25   | 120392     | WASHER, FLAT .281X .63X.065 .....   | 3   |
| 26   | 309532     | BEARING FLANGED .....               | 1   |
| 27   | 311245     | WASHER, FLAT.250X .75 .....         | 1   |
| 28   | 780029     | 1/4-20 HEX NYLOCK NUT #71035 .....  | 1   |
| 29   | 310801     | ANCHOR, HOODLANYARD .....           | 1   |
| 30   | 121222     | PIN, COTTER .090 DIA X .75LG .....  | 1   |
| 31   | 304784     | SPRING, HOOD LATCH .....            | 1   |
| 32   | 302670     | LENS, HEADLAMP .....                | 1   |
| 33   | 301452     | FOIL, HEAT REFLECTOR .....          | 1   |
|      | 710957     | OPERATOR'S MANUAL .....             | 1   |



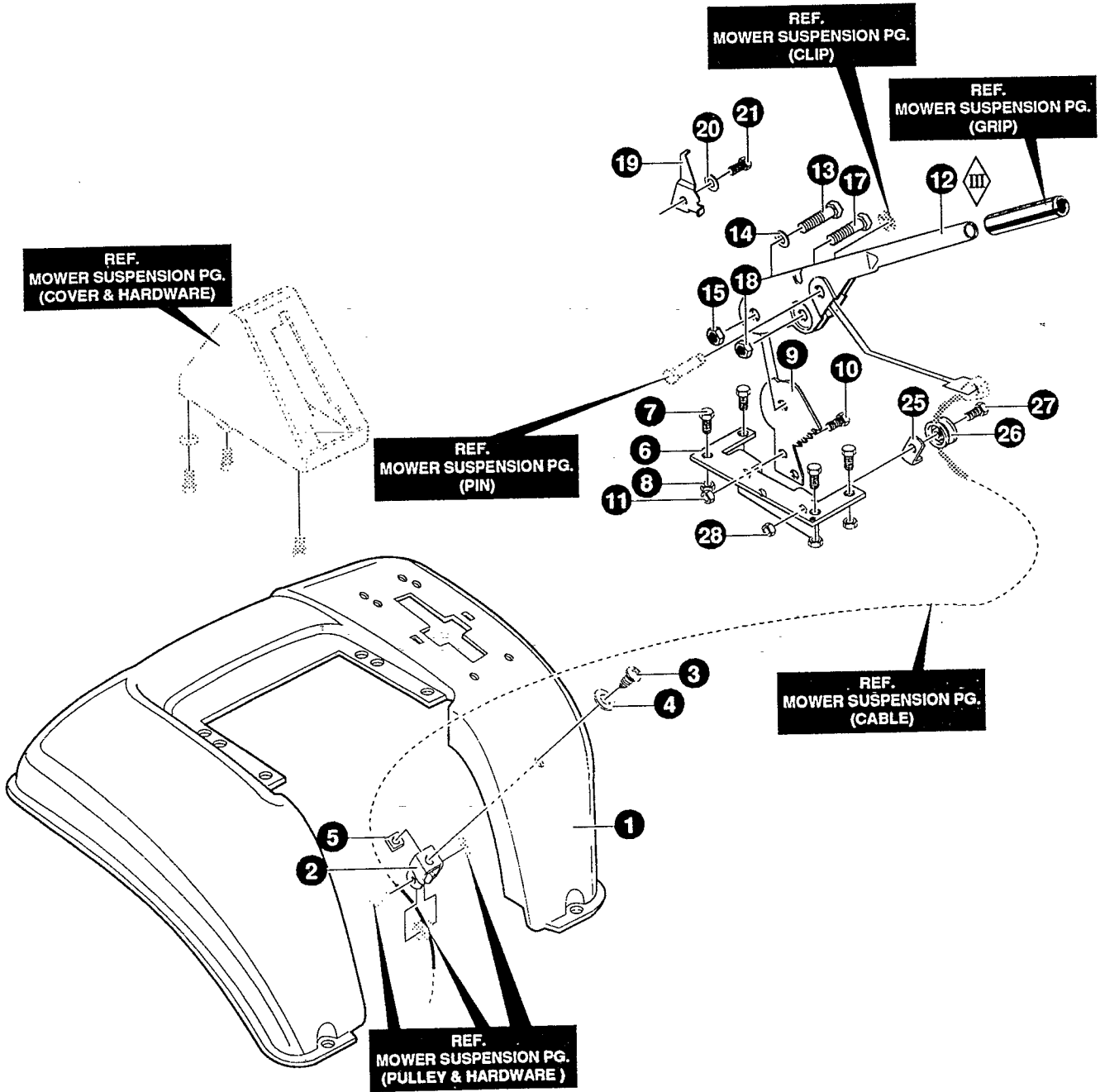
NOTE: ALWAYS USE ORIGINAL EQUIPMENT PARTS. Use of service/replacement parts other than original equipment parts may void your warranty.

ALL UNNUMBERED ITEMS ARE INTERCHANGEABLE WITH OPPOSITE SIDE

341698A (2,2)

| KEY# | PART#      | DESCRIPTION                        | QTY |
|------|------------|------------------------------------|-----|
| 34   | 331535-853 | PLATE,SEAT .....                   | 1   |
| 35   | 20507      | BOLT, .437X .156 HSH 5/16-18 ..... | 2   |
| 36   | 1498       | NUT, 5/16-18 REGHEXCTRLK .....     | 2   |
| 37   | 330463     | SPRING, SEAT 1.50ODX2.25 .....     | 2   |
| 38   | 120392     | WASHER, FLAT .28"X .63X.065 .....  | 2   |
| 39   | 710264     | SCREW, 1/4-20X .50 WAHTAP .....    | 2   |
| 40   | *          | FENDER ASSY. ....                  | 1   |
| 41   | 710264     | SCREW, 1/4-20X .50 WAHTAP .....    | 4   |
| 42   | 126358     | BOLT, 5/16-18X1.00 CARRLN .....    | 2   |
| 43   | 55273      | NUT, 5/16-18 WDFLLKLRG WHIZ .....  | 2   |
| 44   | 53446      | PIN, 5/16-18 HOOD LATCH .....      | 2   |
| 45   | 271184     | NUT, 5/16-18 HEXKEPS .....         | 2   |

\*ORDER INDIVIDUAL PARTS, SEE FENDER ASSEMBLY.

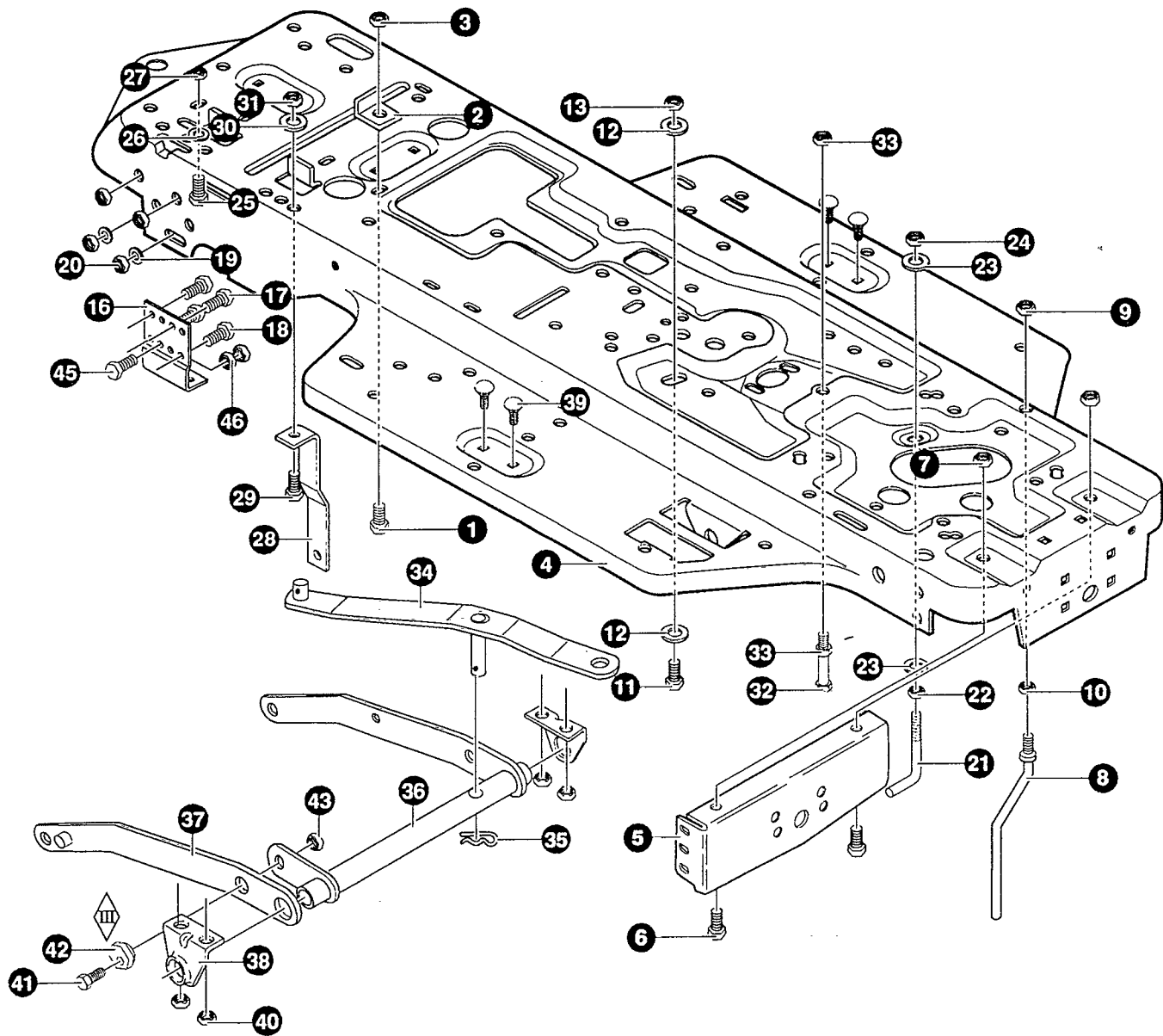


NOTE: ALWAYS USE ORIGINAL EQUIPMENT PARTS. Use of service/replacement parts other than original equipment parts may void your warranty.

ALL UNNUMBERED ITEMS ARE INTERCHANGEABLE WITH OPPOSITE SIDE

341324A

| KEY# | PART#  | DESCRIPTION                        | QTY |
|------|--------|------------------------------------|-----|
| 1    | 327335 | FENDER .....                       | 1   |
| 2    | 9239   | CLEVIS .....                       | 1   |
| 3    | 439455 | SCREW, 5/16-18X .56PHPNMA .....    | 1   |
| 4    | 301551 | WASHER, .344IDX1.50DX.09 CU .....  | 1   |
| 5    | 120373 | NUT, 5/16-18 SQ .....              | 1   |
| 6    | 313926 | BRACKET, HGT/ADJUST SUPPORT .....  | 1   |
| 7    | 180077 | SCREW, 5/16-18X .75 HHC .....      | 4   |
| 8    | 1498   | NUT, 5/16-18 REGHEXCTRLK .....     | 4   |
| 9    | 301238 | QUADRANT, HEIGHT ADJUST .....      | 1   |
| 10   | 180077 | SCREW, 5/16-18X .75 HHC .....      | 1   |
| 11   | 1498   | NUT, 5/16-18 REGHEXCTRLK .....     | 1   |
| 12   | 322292 | HANDLE, LIFT .....                 | 1   |
| 13   | 300171 | BOLT, .500X .270 HSH 5/16-18 ..... | 1   |
| 14   | 996418 | WASHER, FLAT .506X .75X.024 .....  | 1   |
| 15   | 710205 | NUT, 5/16-18 WDFLLK (15X88) .....  | 1   |
| 17   | 300171 | BOLT, .500X .270 HSH 5/16-18 ..... | 1   |
| 18   | 710205 | NUT, 5/16-18 WDFLLK (15X88) .....  | 1   |
| 19   | 9435   | POINTER, HEIGHT .....              | 1   |
| 20   | 138479 | WASHER, EXLK .195X.41X.03 .....    | 1   |
| 21   | 300302 | SCREW, #10X .50 HHTAPPST .....     | 1   |
| 25   | 9149   | BRKT, CABLE RETAIN .....           | 1   |
| 26   | 48306  | PULLEY, METAL .....                | 1   |
| 27   | 58336  | BOLT, .375X .375 HSH 1/4-20 .....  | 1   |
| 28   | 780029 | 1/4-20 HEX NYLOCK NUT #71035 ..... | 1   |



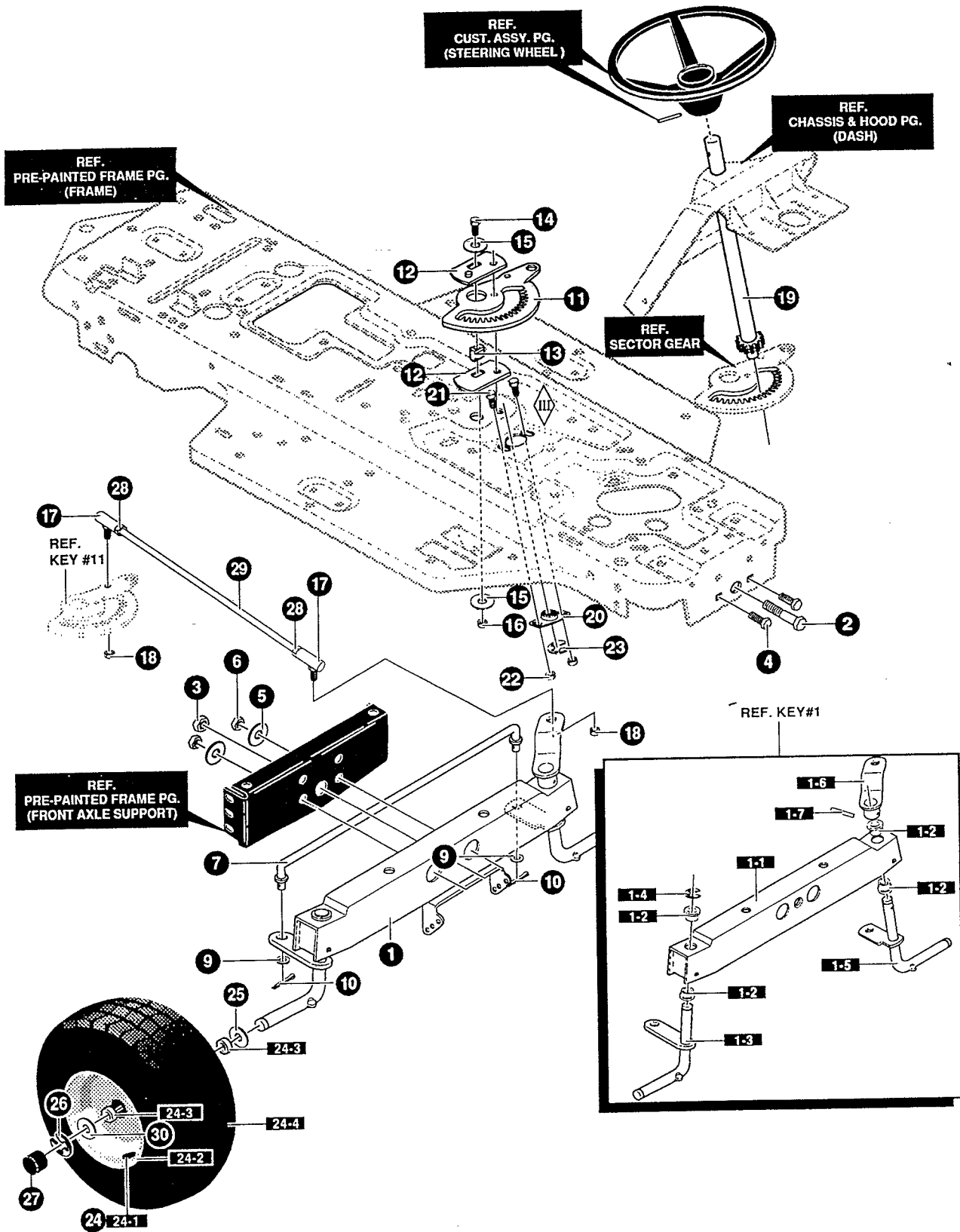
NOTE: ALWAYS USE ORIGINAL EQUIPMENT PARTS.  
 Use of service/replacement parts other than original  
 equipment parts may void your warranty.

ALL UNNUMBERED  
 ITEMS ARE INTERCHANGEABLE  
 WITH OPPOSITE SIDE

341313B



| KEY# | PART#  | DESCRIPTION                        | QTY |
|------|--------|------------------------------------|-----|
| 1    | 180020 | SCREW, 1/4-20X .75 HHC .....       | 1   |
| 2    | 9149   | BRKT, CABLE RETAIN .....           | 1   |
| 3    | 1502   | NUT, 1/4-20 REGHEXCTRLK .....      | 1   |
| 4    | 331173 | FRAME, MAIN SF RIDER .....         | 1   |
| 5    | 56362  | BRKT, SUPPORT, FRONT AXLE .....    | 1   |
| 6    | 56030  | SCREW, 5/16-18X.75WDFLLK .....     | 2   |
| 7    | 55273  | NUT, 5/16-18 WDFLLKLRG .....       | 2   |
| 8    | 50653  | GUIDE, BELT .....                  | 1   |
| 9    | 41529  | NUT, 3/8-16 HXCTRLKJAM .....       | 1   |
| 10   | 271190 | NUT, 3/8-16 HEXKEPS .....          | 1   |
| 11   | 180124 | SCREW, 3/8-16X1.25 HHC .....       | 1   |
| 12   | 120394 | WASHER, FLAT .406X .81X.065 .....  | 2   |
| 13   | 45171  | NUT, 3/8-16 HWDFL WHIZ-LOCK .....  | 1   |
| 16   | 326615 | BRACKET, TRANSAXLE .....           | 2   |
| 17   | 180077 | SCREW, 5/16-18X .75 HHC .....      | 4   |
| 18   | 327917 | SCREW, 5/16-18X1.50HHCFT .....     | 4   |
| 19   | 73787  | WASHER, FLAT .330X .75X.1793 ..... | 4   |
| 20   | 1498   | NUT, 5/16-18 REGHEXCTRLK .....     | 8   |
| 21   | 49896  | BELT GUIDE .....                   | 1   |
| 22   | 271184 | NUT, 5/16-18 HEXKEPS .....         | 1   |
| 23   | 120393 | WASHER, FLAT .344X .69X.065 .....  | 2   |
| 24   | 1498   | NUT, 5/16-18 REGHEXCTRLK .....     | 1   |
| 25   | 180022 | SCREW, 1/4-20X1.00 HHC .....       | 1   |
| 26   | 120380 | WASHER, REGSPTLK.263X.49X.07 ..... | 1   |
| 27   | 120375 | NUT, 1/4-20 REGHEX .....           | 1   |
| 28   | 309770 | BRKT, STABILIZER 920,4360 .....    | 1   |
| 29   | 710312 | SCREW, 5/16-18X1.00 HHC .....      | 1   |
| 30   | 138485 | WASHER, EXLK .320X.61X.03 .....    | 1   |
| 31   | 1498   | NUT, 5/16-18 REGHEXCTRLK .....     | 1   |
| 32   | 49930  | SCREW, 3/8-16X7.50 HHC .....       | 1   |
| 33   | 1499   | NUT, 3/8-16 REGHXCTRLK .....       | 2   |
| 34   | 325587 | STRAP ASSY, PTO BELCRANK .....     | 1   |
| 35   | 8260   | PIN, HAIR .091 DIA X1.66LG .....   | 1   |
| 36   | 326114 | LIFT ASSY, LH .....                | 1   |
| 37   | 325130 | LIFT ASSY, RH .....                | 1   |
| 38   | 325495 | BRACKET, REAR HANG .....           | 2   |
| 39   | 330967 | BOLT, 5/16-18X1.00 CARR .....      | 4   |
| 40   | 1498   | NUT, 5/16-18 REGHEXCTRLK .....     | 4   |
| 41   | 710312 | SCREW, 5/16-18X1.00 HHC .....      | 1   |
| 42   | 58247  | NUT, ADJUST .....                  | 1   |
| 43   | 1498   | NUT, 5/16-18 REGHEXCTRLK .....     | 1   |
| 45   | 180079 | SCREW, 5/16-18 X 1.00 HHC .....    | 1   |
| 46   | 1498   | NUT, 5/16-18 REGHEXCTRLK .....     | 2   |



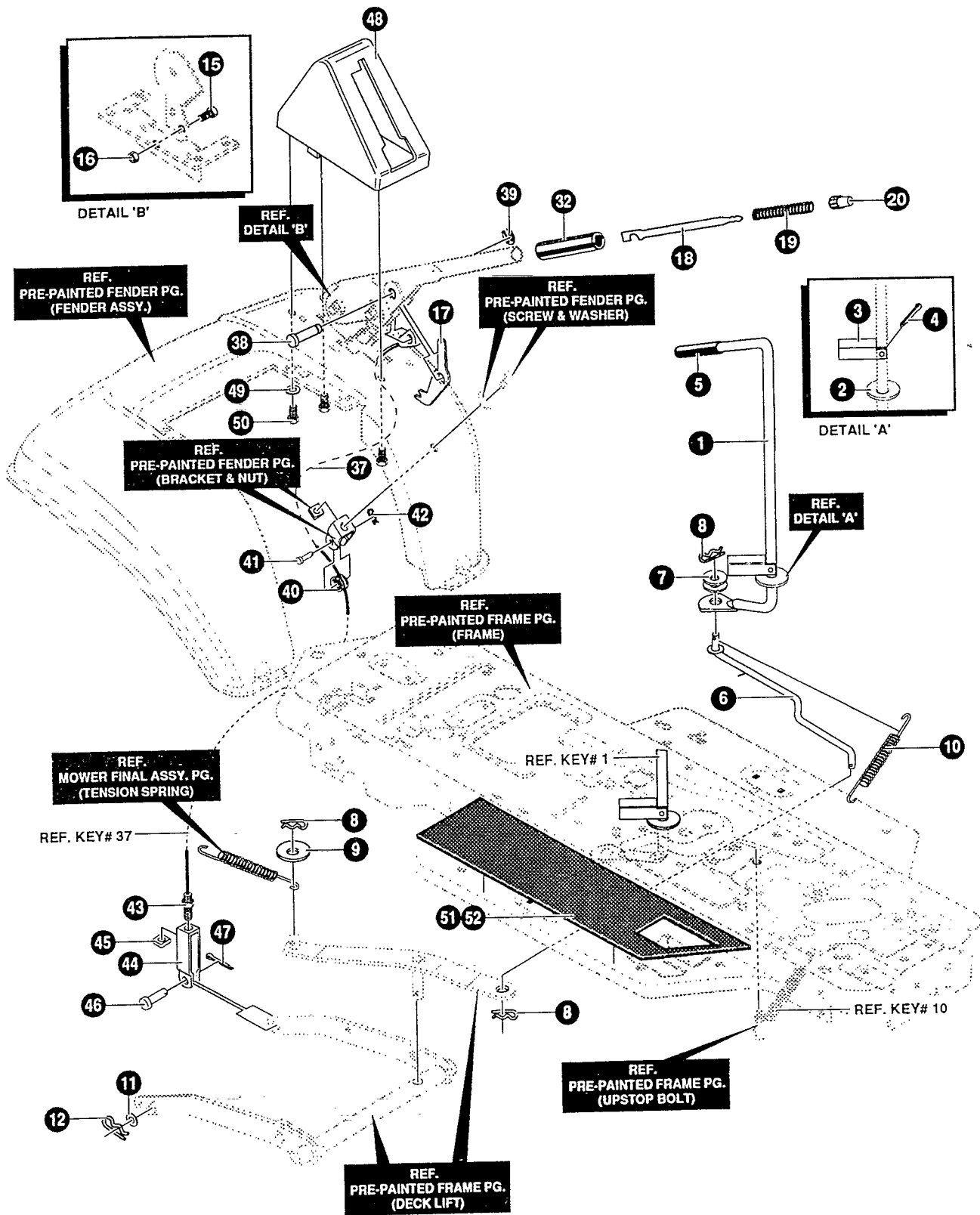
NOTE: ALWAYS USE ORIGINAL EQUIPMENT PARTS.  
 Use of service/replacement parts other than original  
 equipment parts may void your warranty.

ALL UNNUMBERED  
 ITEMS ARE INTERCHANGEABLE  
 WITH OPPOSITE SIDE

341336B

| KEY# | PART#      | DESCRIPTION                            | QTY |
|------|------------|--|-----|
| 1    | *          | AXLE FRONT ASSY .....                  | 1   |
| 1-1  | 324915-853 | ASSY FRONT AXLE .....                  | 1   |
| 1-2  | 50546      | BRNG, FL .759IDX1.002ODX .75 .....     | 4   |
| 1-3  | 310368     | SPINDLE,ASSY,RH .....                  | 1   |
| 1-4  | 36625      | RING, RETEX .57X.05TRU5133-75 .....    | 1   |
| 1-5  | 310367     | SPINDLE,ASSY,LH .....                  | 1   |
| 1-6  | 327619     | ARM ASSY SF .....                      | 1   |
| 1-7  | 454565     | PIN, SPRING.250DIA X1.25LG HVPL .....  | 1   |
| 2    | 29616      | BOLT, .625X1.890 HSH 1/2-20 .....      | 1   |
| 3    | 274654     | NUT, 1/2-20 REGHXCTRLK .....           | 1   |
| 4    | 180138     | SCREW, 3/8-16X3.00 HHC .....           | 2   |
| 5    | 2483       | WASHER,.39IDX1.25DX.07 BELLVIL .....   | 2   |
| 6    | 780072     | NUT, 3/8-16 REGHXCTRLK .....           | 2   |
| 7    | 94776      | TIE ROD, WIRE FORM 19.42 LG .....      | 1   |
| 9    | 120394     | WASHER, REGSPTLK.406X.81X.065 .....    | 2   |
| 10   | 137185     | PIN, COTTER .125 DIA X1.00LG .....     | 2   |
| 11   | 327399     | GEAR, SECTOR .....                     | 1   |
| 12   | 333289     | PLATE SECTOR .....                     | 2   |
| 13   | 330021     | BUSHING, SECTOR GEAR .....             | 1   |
| 14   | 181643     | SCREW, 3/8-24X1.50 HHC .....           | 1   |
| 15   | 845        | WASHER, FLAT .390X1.25X.119 .....      | 2   |
| 16   | 412349     | NUT, 3/8-24 HXCTRLK .....              | 1   |
| 17   | 57158      | BALL JOINT 3/8 .....                   | 2   |
| 18   | 412349     | NUT, 3/8-24 HXCTRLK .....              | 2   |
| 19   | 325300     | SHAFT, PINION-STEERING .....           | 1   |
| 20   | 325692     | BRNG, FL .50 IDX1.370ODX .....         | 1   |
| 21   | 326505     | SCREW, 1/4-20X.75 (TQ 30-35 FT#) ..... | 2   |
| 22   | 46931      | NUT, 1/4-20 WDFL MAC-LOCK .....        | 2   |
| 23   | 20864      | RING, RET E .39X.04TRU5133-50 .....    | 1   |
| 24   | 692287     | TIRE&RIM 15X6.-6 .....                 | 2   |
| 24-1 | 338512     | VALVE STEM .....                       | 2   |
| 24-2 | 338517     | RIM .....                              | 2   |
| 24-3 | 338513     | BEARING .....                          | 2   |
| 24-4 | 338516     | TIRE 15X6-6 .....                      | 2   |
| 25   | 710131     | WASHER, FLAT .755ID .....              | 2   |
| 26   | 36625      | RING, RETEX .57X.05TRU5133-75 .....    | 2   |
| 27   | 40394      | HUB CAP, 1.500ID X 7/8LG .....         | 2   |
| 28   | 124925     | NUT, 3/8-24 REGHEXJAM .....            | 2   |
| 29   | 56190      | DRAG LINK .....                        | 1   |
| 30   | 42815      | WASHER, FLAT .755X1.53X.07 .....       | 2   |

\*ORDER INDIVIDUAL PARTS, ASSEMBLY NOT AVAILABLE



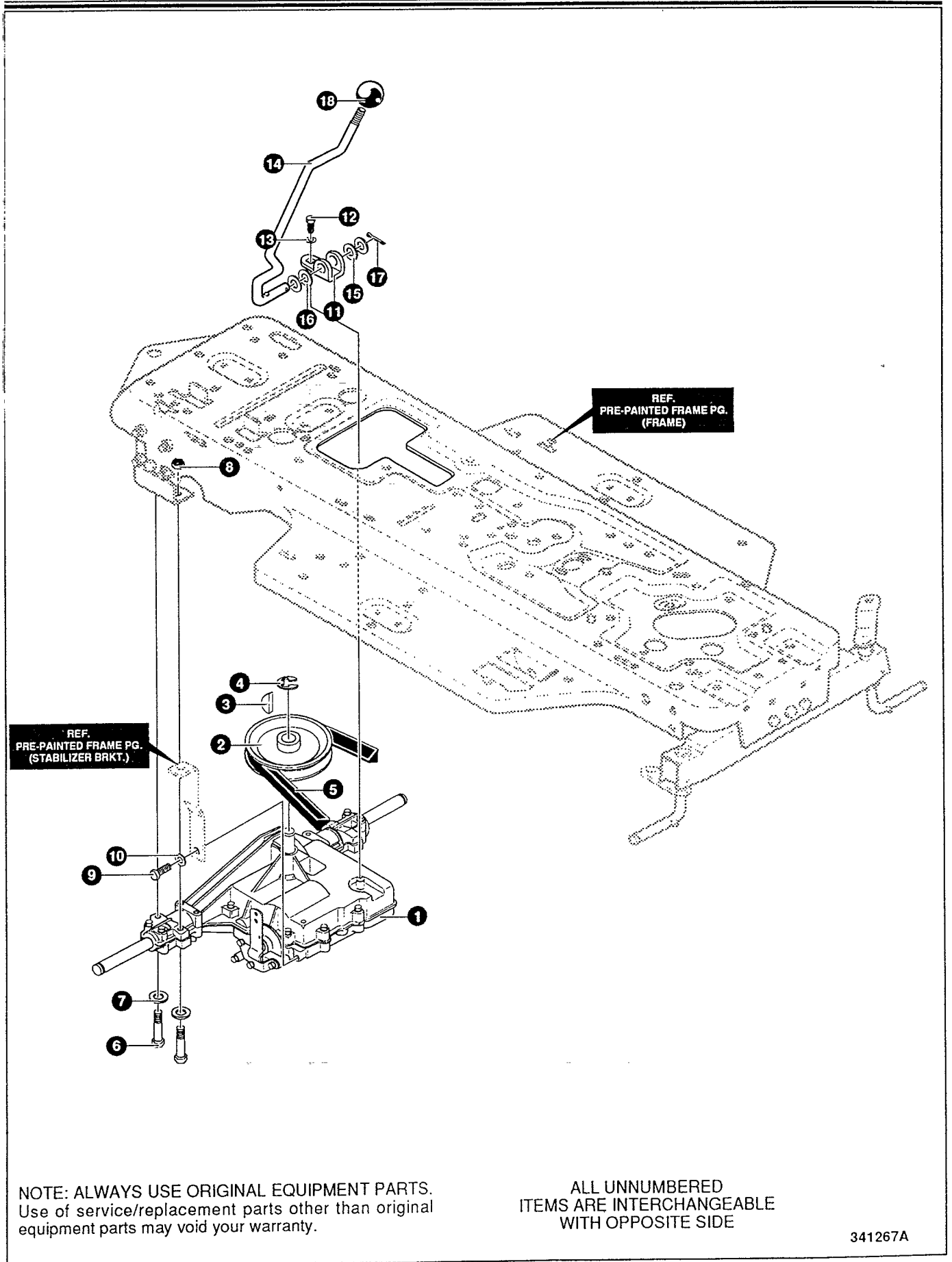
NOTE: ALWAYS USE ORIGINAL EQUIPMENT PARTS. Use of service/replacement parts other than original equipment parts may void your warranty.

ALL UNNUMBERED ITEMS ARE INTERCHANGEABLE WITH OPPOSITE SIDE

338279C

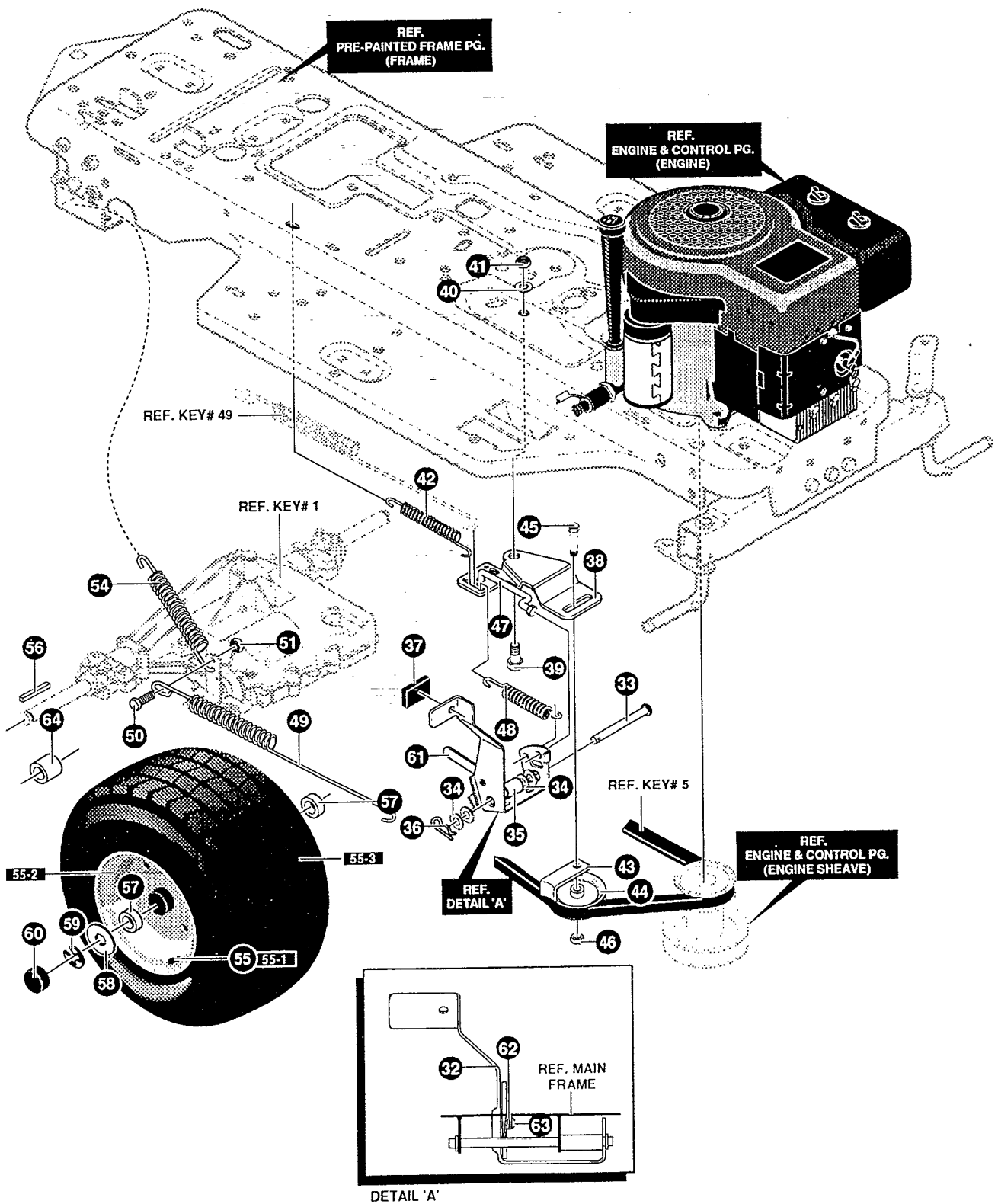
## MOWER SUSPENSION ASSEMBLY

| KEY# | PART#  | DESCRIPTION                            | QTY |
|------|--------|--|-----|
| 1    | 325591 | LEVER,CLUTCH RH .....                  | 1   |
| 2    | 22265  | WASHER, FLAT .515X1.38X.119 .....      | 1   |
| 3    | 305225 | STOP, PTO ENGAGE .....                 | 1   |
| 4    | 302847 | PIN, COTTER .156 DIA X 1.25 LG .....   | 1   |
| 5    | 331624 | PUSH ON GRIP .....                     | 1   |
| 6    | 325590 | ROD, BELCRANK LINK .....               | 1   |
| 7    | 274517 | WASHER, FLAT .406X .73X.063 .....      | 2   |
| 8    | 8260   | PIN, HAIR .091 DIA X 1.66 LG .....     | 3   |
| 9    | 25210  | WASHER, FLAT .386X1.25X.09HT .....     | 1   |
| 10   | 325802 | SPRING, .69X7.75X.0897 TENSION .....   | 1   |
| 11   | 417098 | WASHER, FLAT .531X1.06X.063 .....      | 2   |
| 12   | 8260   | PIN, HAIR .091 DIA X 1.66 LG .....     | 2   |
| 15   | 180077 | SCREW, 5/16-18X .75 HHC .....          | 1   |
| 16   | 1498   | NUT, 5/16-18 REG HEX CTRLK .....       | 1   |
| 17   | 301239 | PAWL, SQUARE .....                     | 1   |
| 18   | 303027 | ROD,ACTUATOR-SHORT .....               | 1   |
| 19   | 58326  | SPRING, HEIGHT ADJUST .....            | 1   |
| 20   | 58325  | KNOB, HEIGHT ADJ PUSH BUTTON .....     | 1   |
| 32   | 58329  | GRIP, .750 OD W/ HOLE .....            | 1   |
| 37   | 57511  | LIFT CABLE 20.75 LG .....              | 1   |
| 38   | 300310 | PIN, CLEVIS .310 DIA X .475 LG .....   | 1   |
| 39   | 300311 | RING, RET E .....                      | 1   |
| 40   | 48306  | PULLEY, METAL .....                    | 1   |
| 41   | 300317 | PIN, CLEVIS .375 DIA X .81 LG .....    | 1   |
| 42   | 8260   | PIN, HAIR .091 DIA X 1.66 LG .....     | 1   |
| 43   | 120375 | NUT, 1/4-20 REG HEX .....              | 1   |
| 44   | 9405   | CLEVIS, LIFT CABLE .....               | 1   |
| 45   | 120372 | NUT, 1/4-20 REG SQ .....               | 1   |
| 46   | 39522  | PIN, CLEVIS .312 X .812 .....          | 1   |
| 47   | 121222 | PIN, COTTER .090 DIA X .75 LG .....    | 1   |
| 48   | 333903 | LIFT COVER, F5 LF, SF BLACK 653 .....  | 1   |
| 49   | 120392 | WASHER, FLAT .281X .63X.065 .....      | 1   |
| 50   | 300340 | SCREW, #10 X .75 HH PLAST .....        | 3   |
| 51   | 331834 | FOOT PAD, RH SF, FULL WIDTH GRIT ..... | 1   |
| 52   | 331835 | FOOT PAD, LH SF, FULL WIDTH GRIT ..... | 1   |



| KEY# | PART#  | DESCRIPTION                          | QTY |
|------|--------|--------------------------------------|-----|
| 1    | *      | TRANSAXLE .....                      | 1   |
| 2    | 303109 | PULLEY, 6.6 OD V4L .....             | 1   |
| 3    | 50795  | KEY, HI-PRO 606 .75DIA X.187WD ..... | 1   |
| 4    | 22053  | RING, RETEX .58X.035TRU5100-62 ..... | 1   |
| 5    | 54758  | BELT, V 4L 82.00 SF DRIVE .....      | 1   |
| 6    | 180091 | SCREW, 5/16-18X2.50 HHC .....        | 4   |
| 7    | 120393 | WASHER, FLAT .344X .69X.065 .....    | 4   |
| 8    | 1498   | NUT, 5/16-18 REGHEXCTRLK .....       | 4   |
| 9    | 35498  | SCREW, 5/16-18X .75 WAHTAP .....     | 1   |
| 10   | 120638 | WASHER, HVSP TLK .328X.60X.09 .....  | 1   |
| 11   | 335218 | SHIFT BRACKET .....                  | 1   |
| 12   | 56255  | SCREW, 1/4-28X .75 NYLHHC .....      | 1   |
| 13   | 57157  | WASHER, .750X.250 .....              | 1   |
| 14   | 331800 | SHIFT LEVER .....                    | 1   |
| 15   | 5950   | WASHER, FLAT .505X .88X.13 .....     | 3   |
| 16   | 120396 | WASHER, FLAT .531X1.06X.095 .....    | 1   |
| 17   | 137185 | PIN, COTTER .125 DIA X1.00LG .....   | 1   |
| 18   | 321837 | KNOB, ROUND 1.50DIA .....            | 1   |

\* CONTACT YOUR NEAREST TRANSAXLE DEALER FOR PARTS & SERVICE



NOTE: ALWAYS USE ORIGINAL EQUIPMENT PARTS. Use of service/replacement parts other than original equipment parts may void your warranty.

ALL UNNUMBERED ITEMS ARE INTERCHANGEABLE WITH OPPOSITE SIDE

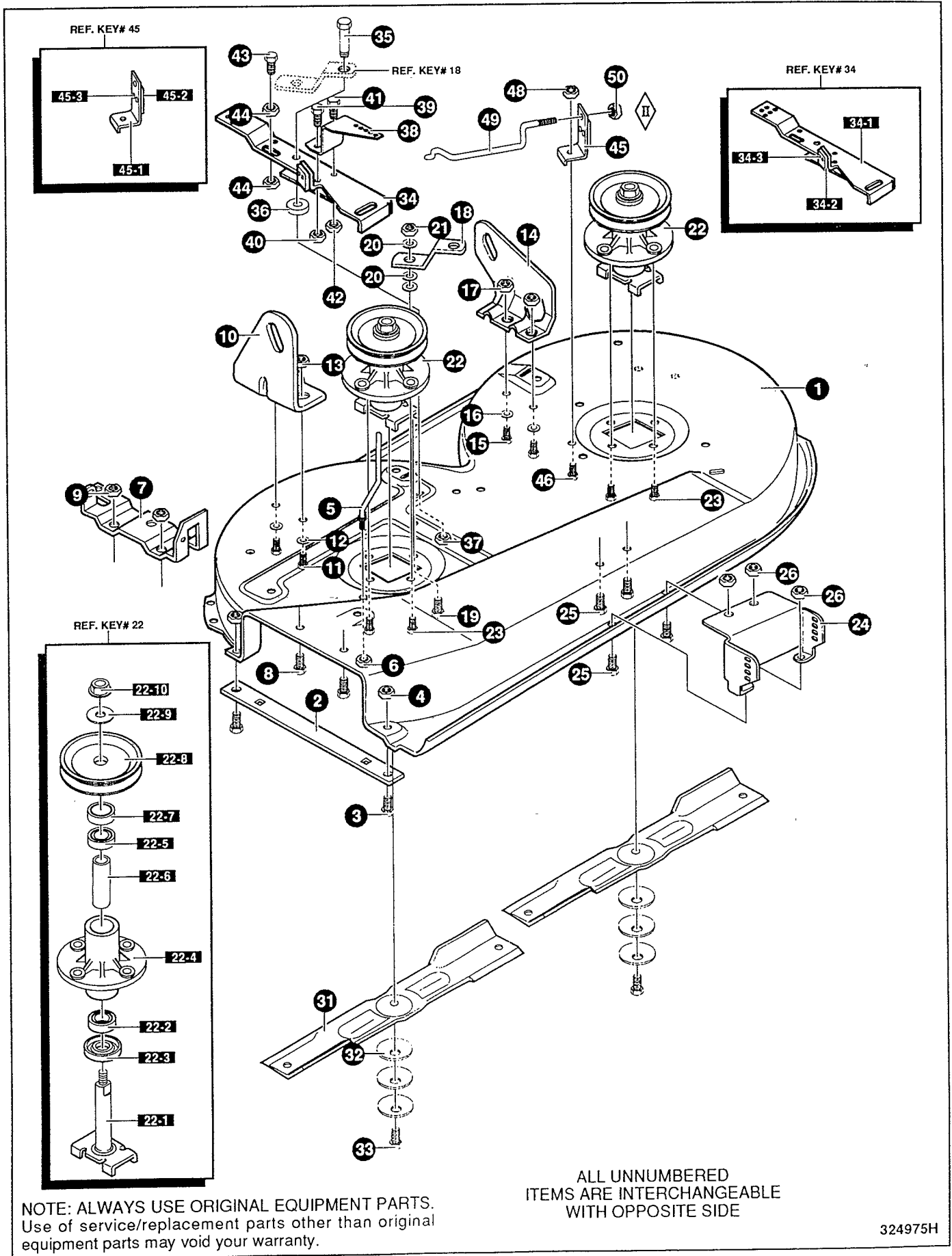
341267A



| KEY# | PART#      | DESCRIPTION                          | QTY |
|------|------------|--------------------------------------|-----|
| 32   | 331438-853 | PEDAL, BRAKE, CLUTCH .....           | 1   |
| 33   | 319676     | PIN, CLEVIS .500DX4.87LG .....       | 1   |
| 34   | 2968       | WASHER, FLAT .504X .75X.059 .....    | 4   |
| 35   | 331972     | SPACER, SLEV .53 X .62X1.240 .....   | 1   |
| 36   | 56180      | PIN, HAIR .53DIA X1.62LG .....       | 1   |
| 37   | 48761      | PAD, CLUTCH/BRAKE PEDAL .....        | 1   |
| 38   | 321969     | IDLER ARM BRKT TRACTION .....        | 1   |
| 39   | 329989     | BOLT, .625X .135 .....               | 1   |
| 40   | 45602      | WASHER, FLAT .333X .87X.119 .....    | 1   |
| 41   | 1498       | NUT, 5/16-18 REGHEXCTRLK .....       | 1   |
| 42   | 327867     | SPRING, 3/4 ODX7.75X.091 .....       | 1   |
| 43   | 39659      | RETAINER, BELT .....                 | 1   |
| 44   | 35374      | PULLEY, IDLER V4L 3.06X .62 .....    | 1   |
| 45   | 45892      | BOLT, 3/8-16X1.50 CARRSN .....       | 1   |
| 46   | 1499       | NUT, 3/8-16 REGHXCTRLK .....         | 1   |
| 47   | 333175     | CLUTCH ROD ASSY, .268 DIA 3.92 ..... | 1   |
| 48   | 326780     | SPRING, 3/8ODX2.18 X.055 .....       | 1   |
| 49   | 326890     | SPRING, BRAKE .....                  | 1   |
| 50   | 326131     | BOLT, .495X .31 HSH5/16-18 .....     | 1   |
| 51   | 1498       | NUT, 5/16-18 REGHEXCTRLK .....       | 1   |
| 54   | 35410      | SPRING .071 X .62 X 4.37 .....       | 1   |
| 55   | 692288     | TIRE&RIM 18X8.50-8 .....             | 2   |
| 55-1 | 338512     | VALVE STEM .....                     | 1   |
| 55-2 | 338524     | RIM .....                            | 1   |
| 55-3 | 339549     | TIRE .....                           | 1   |
| 56   | 52928      | KEY, SQUARE .187SQX2.25LG .....      | 2   |
| 57   | 642        | WASHER, FLAT .755X1.31X.075 .....    | 4   |
| 58   | 42815      | WASHER, FLAT .755X1.53X.07 .....     | 2   |
| 59   | 36625      | RING, RETEX .57X.05TRU5133-75 .....  | 2   |
| 60   | 40394      | HUB CAP, 1.500ID X 7/8LG .....       | 2   |
| 61   | 9016       | LEVER, PARK BRAKE .....              | 1   |
| 62   | 57828      | SPRING, PARKING BRAKE .....          | 1   |
| 63   | 57829      | RIVET, .....                         | 1   |
| 64   | 710352     | SPACER, .87X1.12 .....               | 2   |



| KEY# | PART#  | DESCRIPTION                                   | QTY    |
|------|--------|---|--------|
| 5    | *      | ENGINE, 10-12HP B&S (SEE ENGINE MANUAL) ..... | 1      |
| 10   | 50947  | SCREW, 3/8-16X1.25 WAHHTAPBLKP .....          | 4      |
| 15   | 138489 | WASHER, EXLK .384X.69X.04 .....               | 1      |
| 20   | 46708  | GASKET, MUFFLER .....                         | 1      |
| 25   | 57908  | MUFFLER-DOM/EXP ROUND .....                   | 1      |
| 30   | 54767  | HEAT SHIELD FOR ROUND MUFFLER .....           | 1      |
| 35   | 54980  | SCREW, 5/16-18X3.50 HHC .....                 | 2      |
| 40   | 56472  | DEFLECTOR SIDE OUT (BS222573) .....           | 1      |
| 45   | 35287  | SCREW, #8-32X .38 HHWATAP .....               | 4      |
| 50   | 314989 | TANK, FUEL 1 GAL .....                        | 1      |
| 55   | 300303 | SCREW, .25X.75X.51 .....                      | 4      |
| 60   | 42258  | TUBING, .25X.50 .....                         | 12 IN. |
| 65   | 47345  | CLAMP, HOSE SCREW TYPE .....                  | 2      |
| 70   | 46704  | CAP, GAS 1-1/2-7 THD .....                    | 1      |
| 75   | 57444  | TIE, CABLE BLACK NYLON .....                  | 1      |
| 80   | 320031 | THROTTLE CONTROL .....                        | 1      |
| 82   | 92320  | SPEED REDUCER .....                           | 1      |
| 85   | 274707 | SCREW, 10-24X.50 WAHMA .....                  | 2      |
| 90   | 308459 | NUT, #10-24 HXHDNYLK .....                    | 2      |
| 95   | 50607  | KNOB ROUND THROTTLE .....                     | 1      |
| 100  | 325547 | OIL DRAIN OR TUBE .....                       | 1      |
| 105  | 327422 | CAP, OIL DRAIN VALVE ASSY .....               | 1      |



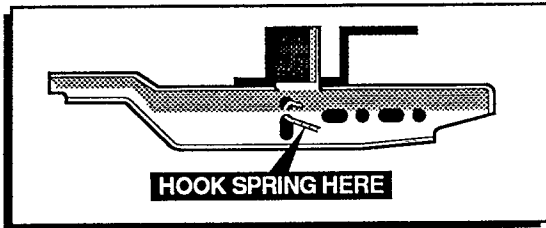
NOTE: ALWAYS USE ORIGINAL EQUIPMENT PARTS. Use of service/replacement parts other than original equipment parts may void your warranty.

ALL UNNUMBERED ITEMS ARE INTERCHANGEABLE WITH OPPOSITE SIDE

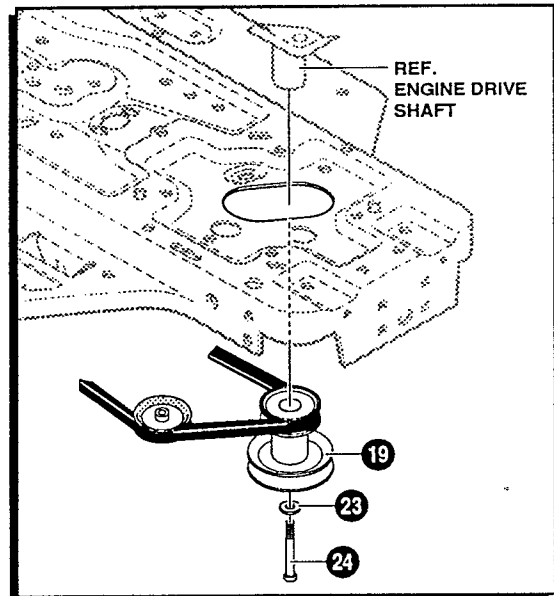
324975H

| KEY#  | PART#      | DESCRIPTION                           | QTY |
|-------|------------|---------------------------------------|-----|
| 1     | 325106-853 | 39" DECK KIT .....                    | 1   |
| 2     | 326295     | BAR, SKID .....                       | 1   |
| 3     | 126216     | BOLT, 5/16-18X .75 CARRLN .....       | 2   |
| 4     | 271184     | NUT, 5/16-18 HEXKEPS .....            | 2   |
| 5     | 57318      | GUIDE, BELT 5/16-18 THD .....         | 1   |
| 6     | 1498       | NUT, 5/16-18 REGHEXCTRLK .....        | 1   |
| 7     | 313928     | BRACKET, CHUTE BLK .....              | 1   |
| 8     | 180073     | SCREW, 5/16-18X .50 HHC .....         | 2   |
| 9     | 1498       | NUT, 5/16-18 REGHEXCTRLK .....        | 1   |
| 10    | 313929     | LIFT BRKT, REAR RH .....              | 1   |
| 11    | 180077     | SCREW, 5/16-18X .75 HHC .....         | 2   |
| 12    | 120393     | WASHER, FLAT .344X .69X.065 .....     | 2   |
| 13    | 1498       | NUT, 5/16-18 REGHEXCTRLK .....        | 2   |
| 14    | 310667     | BRACKET,DECK LIFTREAR LH .....        | 1   |
| 15    | 180077     | SCREW, 5/16-18X .75 HHC .....         | 2   |
| 16    | 120393     | WASHER, FLAT .344X .69X.065 .....     | 2   |
| 17    | 1498       | NUT, 5/16-18 REGHEXCTRLK .....        | 2   |
| 18    | 315302     | BRACKET, IDLER SUPPORT .....          | 1   |
| 19    | 300345     | SCREW, 5/16-18X1.38 WAHHTAP .....     | 1   |
| 20    | 120393     | WASHER, FLAT .344X .69X.065 .....     | 3   |
| 21    | 1498       | NUT, 5/16-18 REGHEXCTRLK .....        | 1   |
| 22    | 337734     | QUILL ASSY .....                      | 2   |
| 22-1  | 56425      | SHAFT/SADDLE .....                    | 1   |
| 22-2  | 49562      | BRNG, BALL 6203-2AA-C3 ARMORED .....  | 1   |
| 22-3  | 50616      | DUST SHIELD .....                     | 1   |
| 22-4  | 55547      | QUILL CASTING (1046) .....            | 1   |
| 22-5  | 49562      | BRNG, BALL 6203-2AA-C3 ARMORED .....  | 1   |
| 22-6  | 50818      | SPACER, SLEV .669X .88X3.797 .....    | 1   |
| 22-7  | 331067     | SPACER, QUILL .....                   | 1   |
| 22-8  | 333132     | PULLEY,26/36" QUILL V5L .....         | 1   |
| 22-9  | 56365      | WASHER, SPECIAL QUILL .....           | 1   |
| 22-10 | 1282       | NUT, 7/16-20 WDFLLK .....             | 1   |
| 23    | 35498      | SCREW, 5/16-18X .75 WAHHTAP .....     | 7   |
| 24    | 312526     | LIFT SUPPORT FRONT DECK .....         | 1   |
| 25    | 180077     | SCREW, 5/16-18X .75 HHC .....         | 4   |
| 26    | 1498       | NUT, 5/16-18 REGHEXCTRLK .....        | 4   |
| 31    | 309069     | BLADE, 19.5 STD-LIFT BLK853 .....     | 2   |
| 32    | 2483       | WASHER,.39IDX1.25DX.07 BELLVIL .....  | 6   |
| 33    | 39573      | SCREW, 3/8-24X1.00 NYLHHC .....       | 2   |
| 34    | 300491     | BRACKET, IDLER ARM/BRAKE .....        | 1   |
| 34-1  | 300490     | IDLER ARM 36,38,39,&45SD .....        | 1   |
| 34-2  | 306973     | BRAKE PAD - HARD-NF343 (X-31) .....   | 1   |
| 34-3  | 41601      | RIVET, OVSET .187DIA X .50LG ST ..... | 2   |
| 35    | 300180     | BOLT, .50 X1.88 HSH 3/8-16 .....      | 1   |
| 36    | 996416     | WASHER, FLAT .391X1.0OX.125 .....     | 1   |
| 37    | 45171      | NUT, 3/8-16 HWDFL WHIZ-LOCK .....     | 1   |
| 38    | 326249     | BRACKET, EXTENSION IDLER .....        | 1   |
| 39    | 180077     | SCREW, 5/16-18X .75 HHC .....         | 1   |
| 40    | 1498       | NUT, 5/16-18 REGHEXCTRLK .....        | 1   |
| 41    | 180020     | SCREW, 1/4-20X .75 HHC .....          | 1   |
| 42    | 1502       | NUT, 1/4-20 REGHEXCTRLK .....         | 1   |
| 43    | 121954     | SCREW, 1/4-20X2.00 HHC .....          | 1   |
| 44    | 271172     | NUT, 1/4-20 REGHEXKEPS .....          | 2   |
| 45    | 303247     | ASSY.BLADE BRAKE 36,39,45 .....       | 1   |
| 45-1  | 303247     | ASSY.BLADE BRAKE 36,39,45 .....       | 1   |
| 45-2  | 306973     | BRAKE PAD - HARD-NF343 (X-31) .....   | 1   |
| 45-3  | 135624     | RIVET, TRSET .185DIA X .41LG ST ..... | 2   |
| 46    | 180077     | SCREW, 5/16-18X .75 HHC .....         | 1   |
| 48    | 710205     | NUT, 5/16-18 WDFLLK (15X88) .....     | 1   |
| 49    | 300316     | ROD, BRAKE RELEASE 14.7 39DECK .....  | 1   |
| 50    | 1502       | NUT, 1/4-20 REGHEXCTRLK .....         | 1   |

**NOTE**  
SEE DWG # 324975 FOR PARTS  
ASSEMBLY OF PAINTED DECK

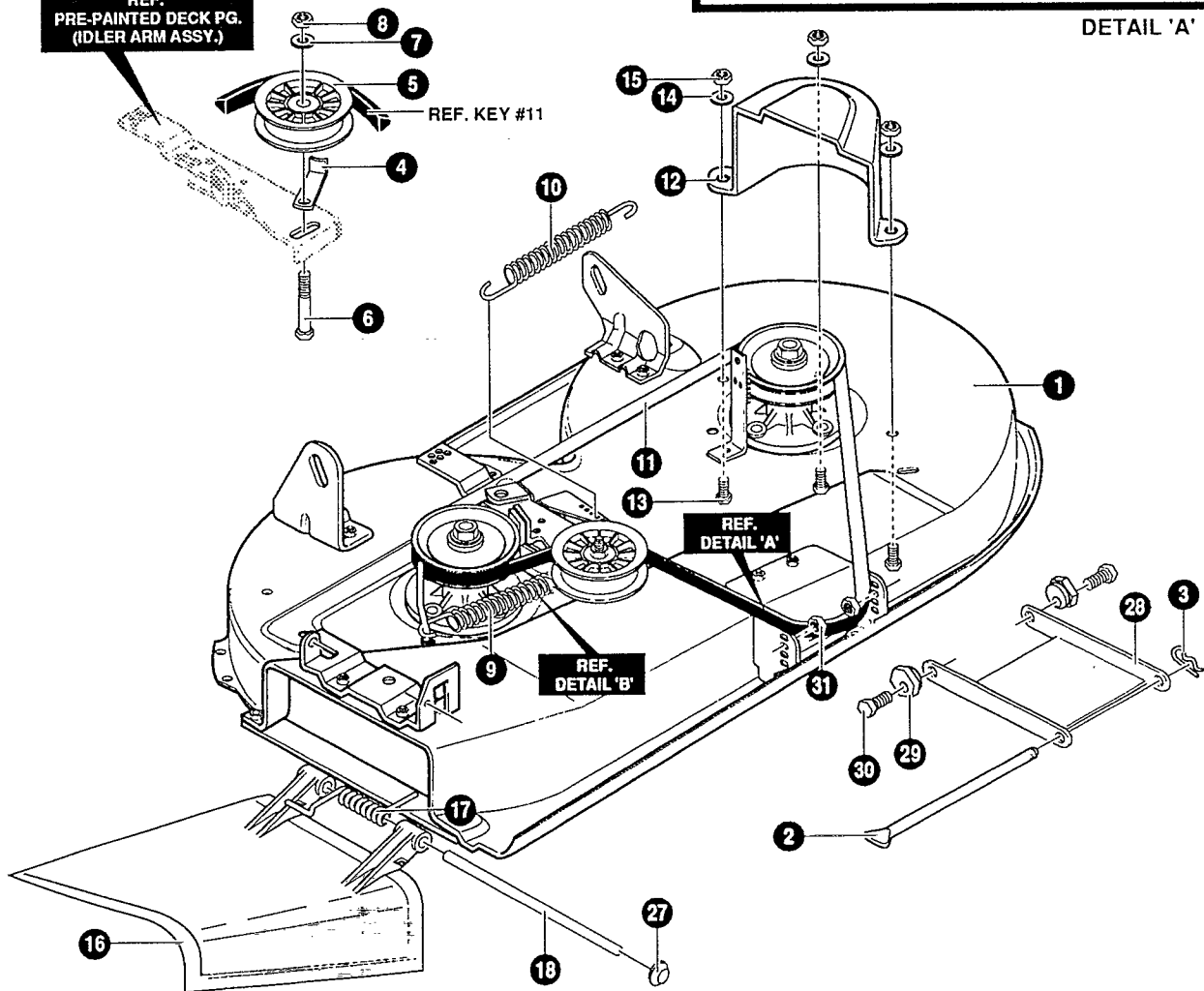


DETAIL 'B'



DETAIL 'A'

REF.  
PRE-PAINTED DECK PG.  
(IDLER ARM ASSY.)

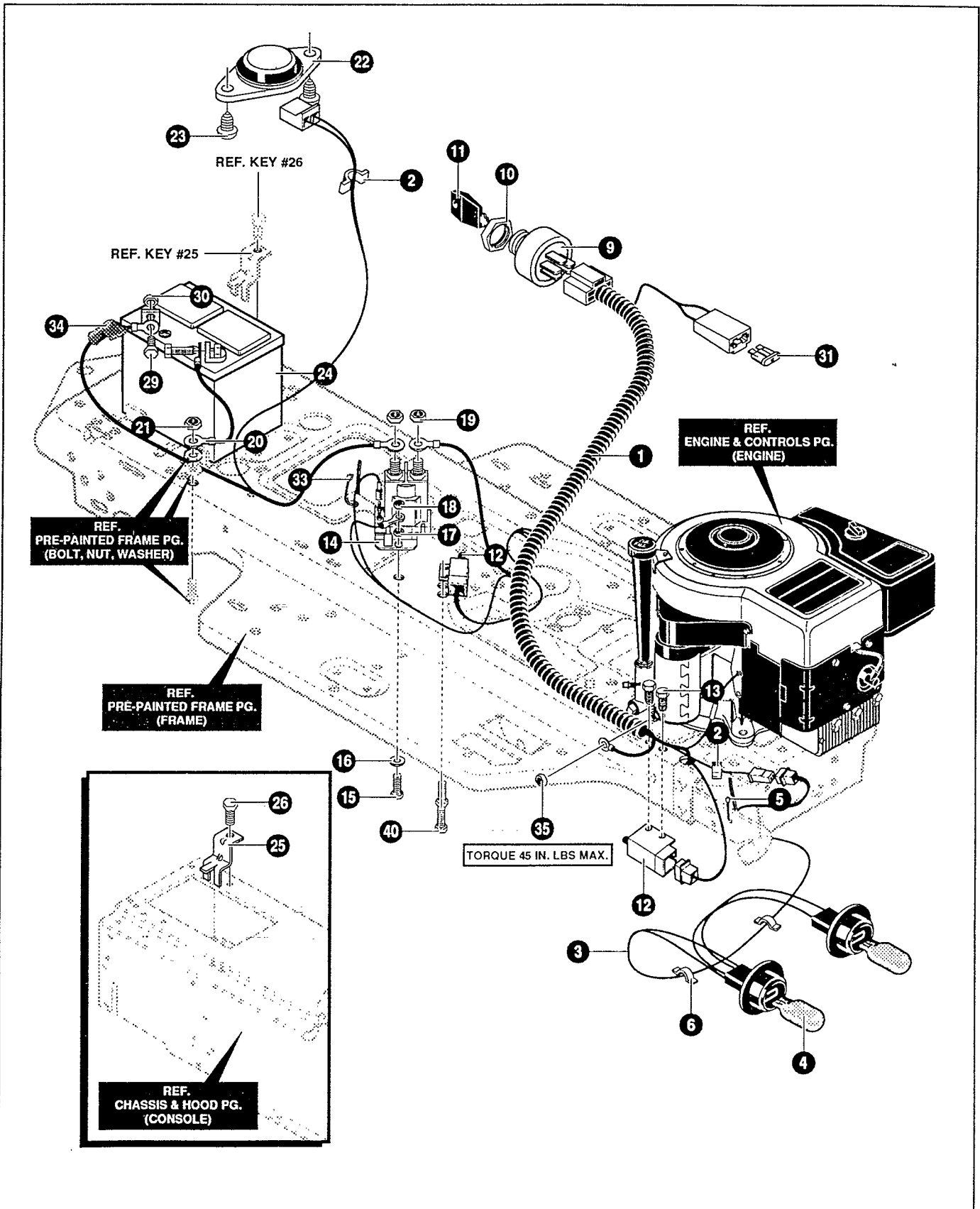


NOTE: ALWAYS USE ORIGINAL EQUIPMENT PARTS.  
Use of service/replacement parts other than original  
equipment parts may void your warranty.

ALL UNNUMBERED  
ITEMS ARE INTERCHANGEABLE  
WITH OPPOSITE SIDE

| KEY# | PART#     | DESCRIPTION                           | QTY |
|------|-----------|---------------------------------------|-----|
| 1    | *         | ASSEMBLY, DECK 39"                    |     |
| 2    | 58306     | ROD, DECK HITCH Z-PL 953 .....        | 1   |
| 3    | 8260      | PIN, HAIR .091 DIA X 1.66LG .....     | 1   |
| 4    | 1346      | RETAINER, BELT .....                  | 1   |
| 5    | 310326    | PULLEY, IDLER BFF 4.00 WIDE FL .....  | 1   |
| 6    | 57325     | BOLT, 3/8-16 X 2.00 CARRSN .....      | 1   |
| 7    | 120382    | WASHER, REGSPTLK.393X.68X.10 .....    | 1   |
| 8    | 120377    | NUT, 3/8-16 REGHX .....               | 1   |
| 9    | 322064    | SPRING, .75X8.4X.105 TENSION .....    | 1   |
| 10   | 326256    | SPRING, .75X10.0X.105 TENSION .....   | 1   |
| 11   | 300680    | BELT, V 5L 77.75 KEVLAR .....         | 1   |
| 12   | 328257    | GUARD, BELT LH PLASTIC .....          | 1   |
| 13   | 180077    | SCREW, 5/16-18 X .75 HHC .....        | 3   |
| 14   | 120393    | WASHER, FLAT .344X .69X.065 .....     | 3   |
| 15   | 1498      | NUT, 5/16-18 REGHEXCTRLK .....        | 3   |
| 16   | 57818     | CHUTE DEFLECTOR 36",39",45" .....     | 1   |
| 17   | 314975    | SPRING, TORSION CHUTE DEFLECTOR ..... | 1   |
| 18   | 334908    | KIT FOR 57317 PIVOT ROD .....         | 1   |
| 19   | 341235    | KIT ENGINE PULLEY (328034) .....      | 1   |
| 23   | 120383    | WASHER, REGSPTLK.459X.78X.12 .....    | 1   |
| 24   | 433146    | SCREW, 7/16-20 X 4.25 HHC .....       | 1   |
| 27   | 332179    | CAP, PUSH ON, FOR DIA .250 ROD .....  | 1   |
| 28   | 58305-853 | BRACKET, LINK DECK FRONT .....        | 1   |
| 29   | 58247     | NUT, ADJUST .....                     | 2   |
| 30   | 710312    | SCREW, 5/16-18 X 1.00 HHC .....       | 2   |
| 31   | 1498      | NUT, 5/16-18 REGHEXCTRLK .....        | 2   |

\* REFERENCE ONLY



NOTE: ALWAYS USE ORIGINAL EQUIPMENT PARTS. Use of service/replacement parts other than original equipment parts may void your warranty.

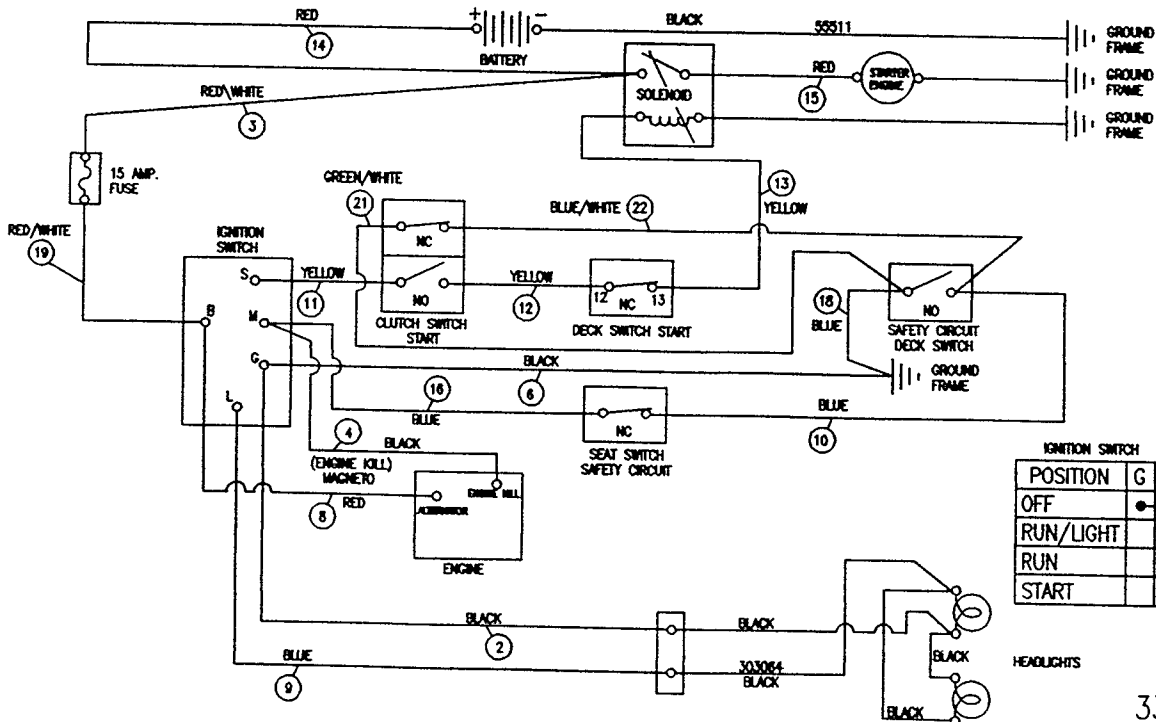
ALL UNNUMBERED ITEMS ARE INTERCHANGEABLE WITH OPPOSITE SIDE

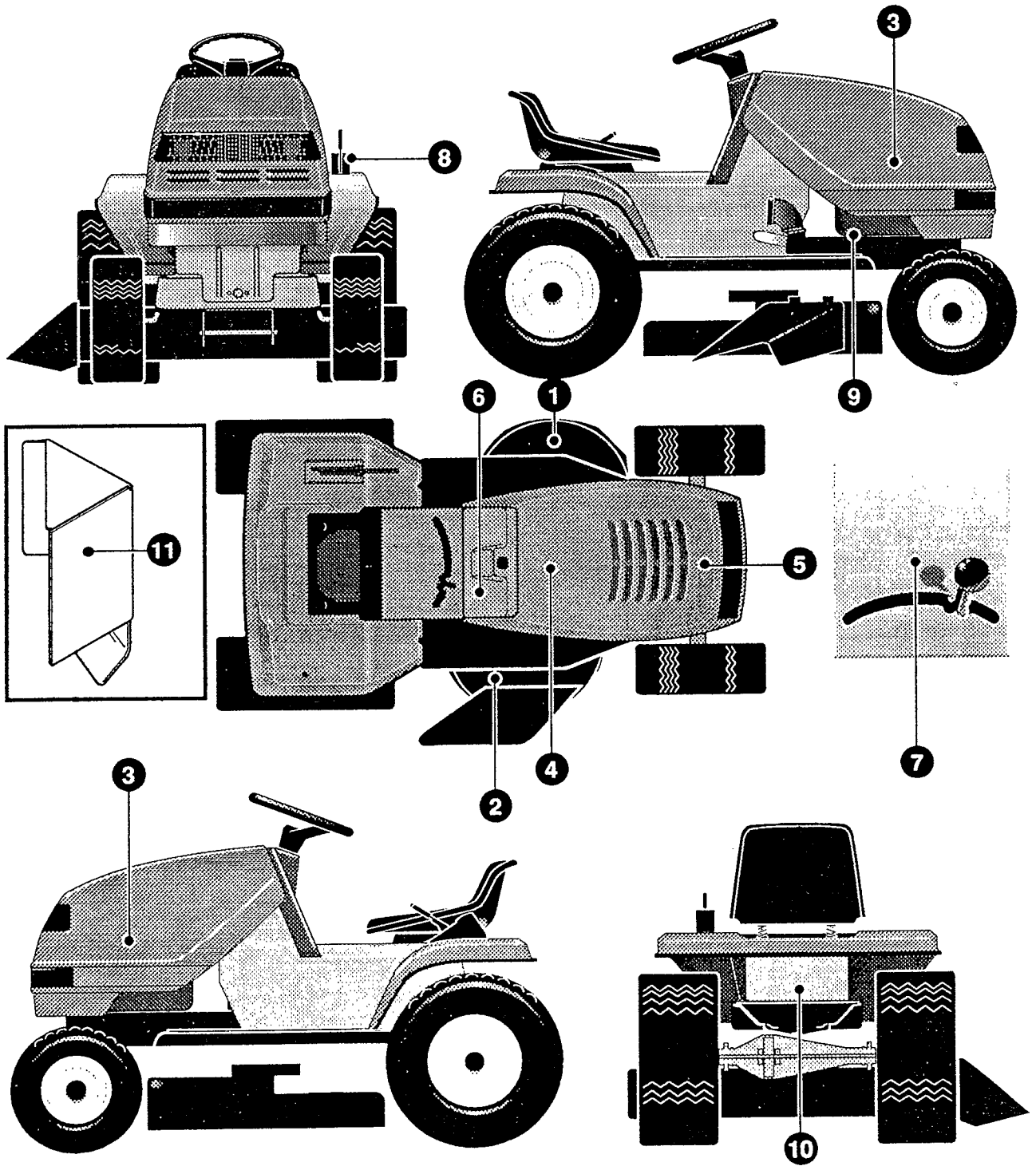


| KEY# | PART#  | DESCRIPTION                           | QTY |
|------|--------|---------------------------------------|-----|
| 1    | 331739 | WIRE HARNESS SF 8-12B&S .....         | 1   |
| 2    | 41482  | PRESS CLIP, 1.380LG .255ID .....      | 2   |
| 3    | 303064 | ASSY, LIGHT WIRE-1/4 TURN .....       | 1   |
| 4    | 52572  | BULB, HEADLAMP .....                  | 2   |
| 5    | 57444  | TIE, CABLE BLACK NYLON .....          | 1   |
| 6    | 41482  | PRESS CLIP, 1.380LG .255ID .....      | 2   |
| 9    | 327354 | SWITCH, IGNITION & LIGHTS DELTA ..... | 1   |
| 10   | 327352 | NUT, 5/8-8ACME DELTA FOR BOOT .....   | 1   |
| 11   | 327350 | KEY, IGNITION .....                   | 1   |
| 12   | 57476  | SWITCH, SCR MNT .....                 | 2   |
| 13   | 300302 | SCREW, #10 X .50 HHTAPPST .....       | 2   |
| 14   | 53716  | SOLENOID .....                        | 1   |
| 15   | 187745 | SCREW, 1/4-20X .75 HXSEMMA .....      | 2   |
| 16   | 578962 | WASHER, FLAT .281X1.00X.063 .....     | 1   |
| 17   | 780029 | 1/4 -20 HEX NYLOCK NUT #71035 .....   | 1   |
| 18   | 271172 | NUT, 1/4-20 REGHEXKEPS .....          | 1   |
| 19   | 271187 | NUT, 5/16-24 HKEPS .....              | 2   |
| 20   | 55511  | WIRE, GROUND, 12.5" .....             | 1   |
| 21   | 271184 | NUT, 5/16-18 HEXKEPS .....            | 1   |
| 22   | 57547  | SWITCH, SEAT .....                    | 1   |
| 23   | 160505 | SCREW, 1/4-20X .38PHPNHMA .....       | 2   |
| 24   | 302257 | BATTERY 12V 7 PLATE .....             | 1   |
| 25   | 329175 | BATTERY BRACKET .....                 | 1   |
| 26   | 710264 | SCREW, 1/4-20X .50 .....              | 1   |
| 29   | 180020 | SCREW, 1/4-20X .75 HHC .....          | 2   |
| 30   | 271172 | NUT, 1/4-20 REGHEXKEPS .....          | 2   |
| 31   | 302031 | FUSE SPADE TYPE 32V 15A .....         | 1   |
| 33   | 57444  | TIE, CABLE BLACK NYLON 5.6"L .....    | 1   |
| 34   | 308201 | INSULATOR, BATTERY BOOT .....         | 1   |
| 35   | 124818 | NUT, 1/4-20 REGHXJAM .....            | 1   |
| 40   | 57220  | SCREW, #12 X .50 PHPNHTAP .....       | 2   |

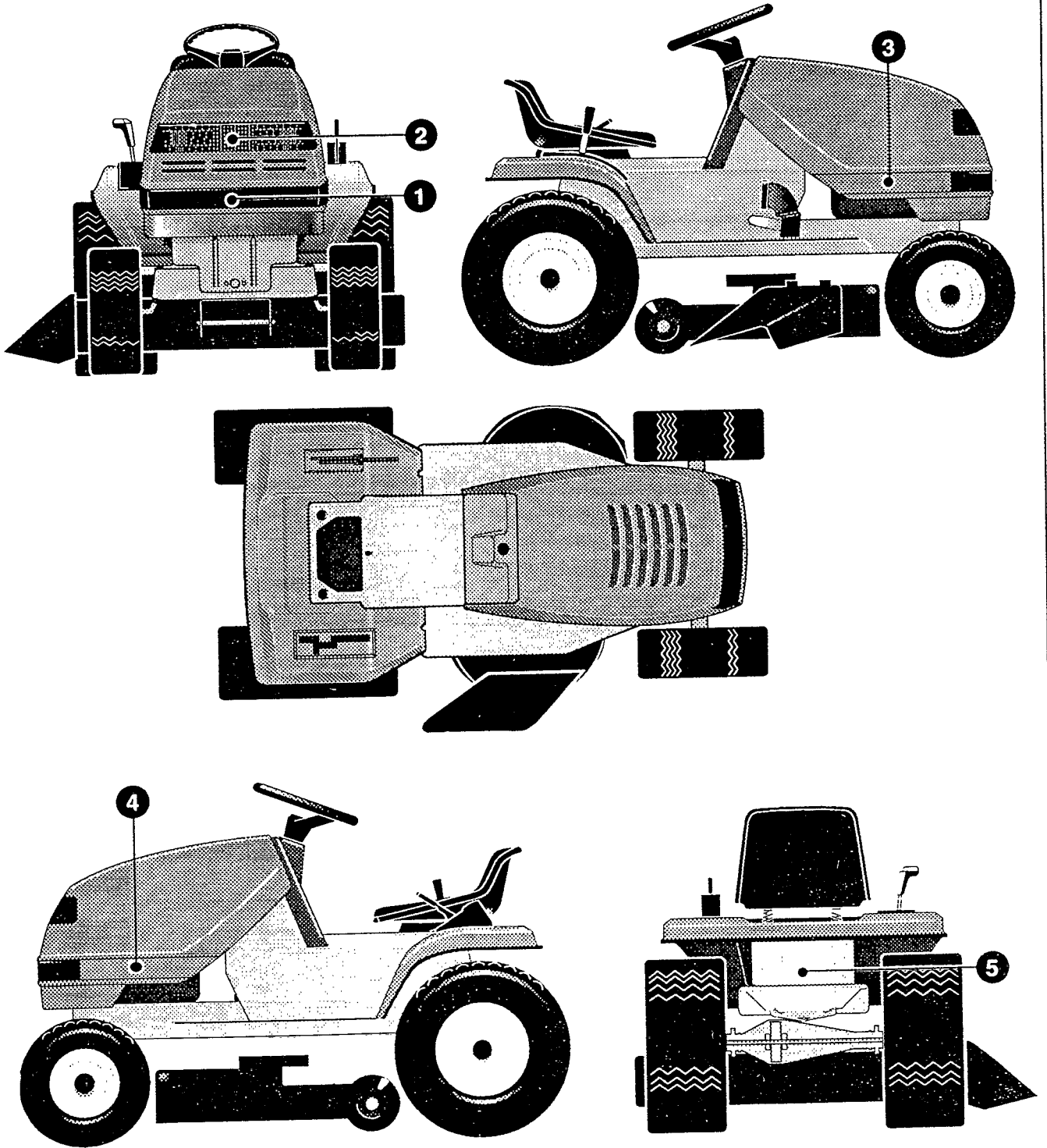
YOU MAY PURCHASE A MAINTENANCE-FREE BATTERY AT YOUR LOCAL HARDWARE STORE. OUR REPLACEMENT BATTERY IS A DRY BATTERY.

SCHEMATIC DRAWING

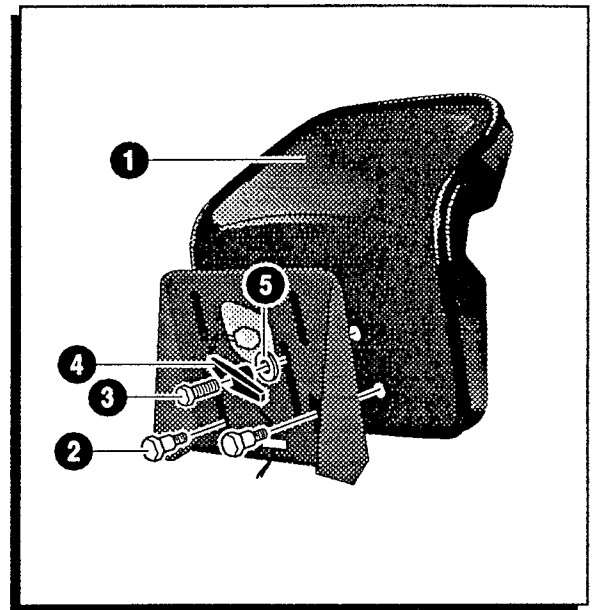




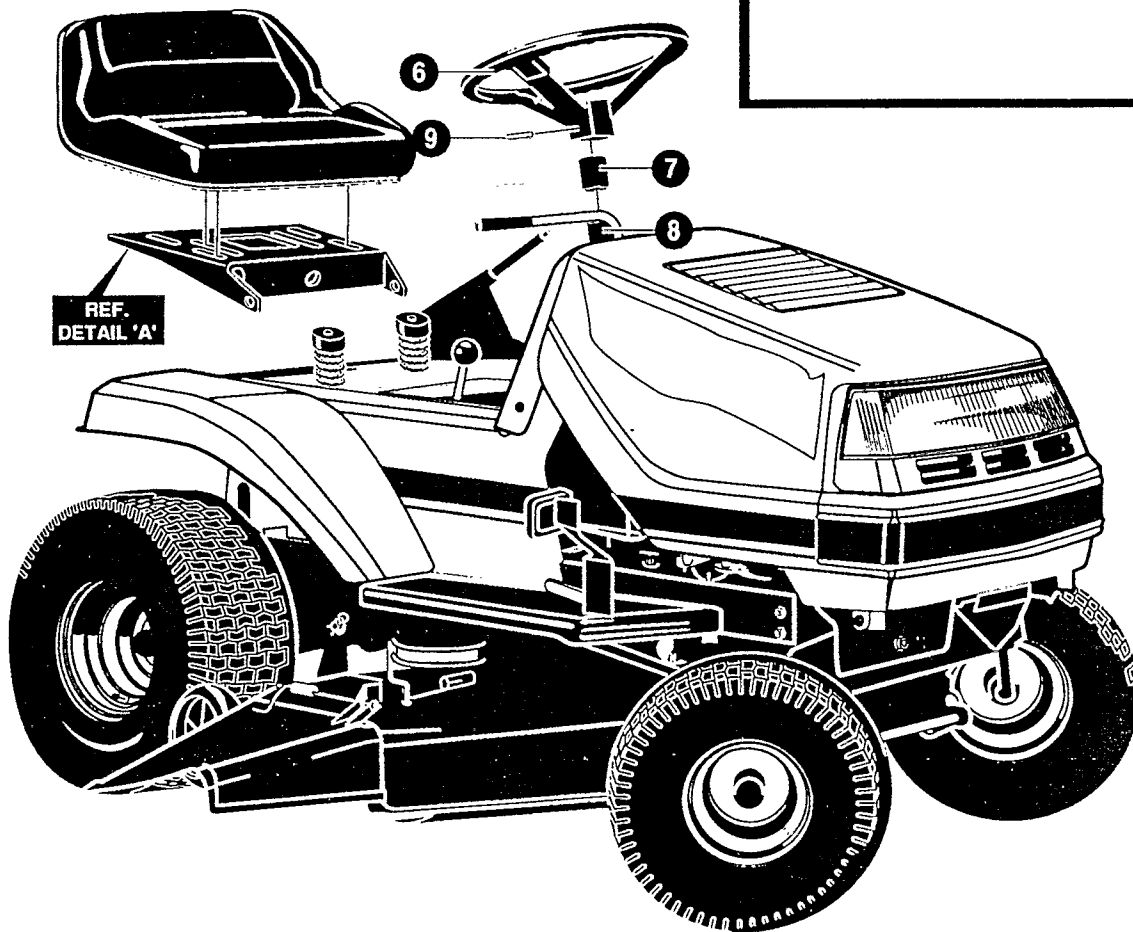
| KEY# | PART#  | DESCRIPTION                          | QTY |
|------|--------|--------------------------------------|-----|
| 1    | 402700 | DECAL, CAUTION DECK LH .....         | 1   |
| 2    | 402701 | DECAL, CAUTION DECK RH CUT HND ..... | 1   |
| 3    | 305603 | PAD, 18X6 FOAM HOOD .....            | 2   |
| 4    | 307276 | PAD, 15X7 FOAM HOOD .....            | 1   |
| 5    | 307277 | PAD, 12X4 FOAM HOOD .....            | 1   |
| 6    | 326587 | DECAL, DASH STD .....                | 1   |
| 7    | 710756 | DECAL, SHIFTER "CE" .....            | 1   |
| 8    | 402214 | DECAL, HEIGHT ADJUST .....           | 1   |
| 9    | 402702 | DECAL, BRAKE/CLUTCH PICTOGRAM .....  | 1   |
| 10   | 338542 | DECAL, DRAWBAR WARN M#44X6138 .....  | 1   |
| 11   | 338543 | DECAL, HOT SURF WARN M#44X5936 ..... | 1   |



| KEY# | PART#  | DESCRIPTION                      | QTY |
|------|--------|----------------------------------|-----|
| 1    | 322699 | DECAL, TAPE 8 MIL VINYL .....    | 1   |
| 2    | 308492 | DECAL FOIL, LENS REFLECTOR ..... | 1   |
| 3    | 710568 | DECAL, TEXAS PT120 RH .....      | 1   |
| 4    | 710569 | DECAL, TEXAS PT120 LH .....      | 1   |
| 5    |        | NOT A SERVICEABLE PART           |     |



DETAIL 'A'



REF.  
DETAIL 'A'

| KEY# | PART#  | DESCRIPTION                  | QTY |
|------|--------|------------------------------|-----|
| 1    | 331524 | SEAT                         | 1   |
| 2    | 331637 | BOLT, .500X 10HHSH 5.16-18   | 2   |
| 3    | 710312 | SCREW, 5-16-18X1.00 HHC      | 1   |
| 4    | 643958 | HANDLE, WING NUT BLACK       | 1   |
| 5    | 120393 | WASHER, FLAT .344X .69X .065 | 1   |
| 6    | 330510 | STEERING WHEEL               | 1   |
| 7    | 331322 | COVER, STEERING SHAFT        | 1   |
| 8    | 301413 | SPACER, STEERING SHAFT       | 1   |
| 9    | 456378 | PIN, SPRING 250DIA X 2.00LG  | 1   |