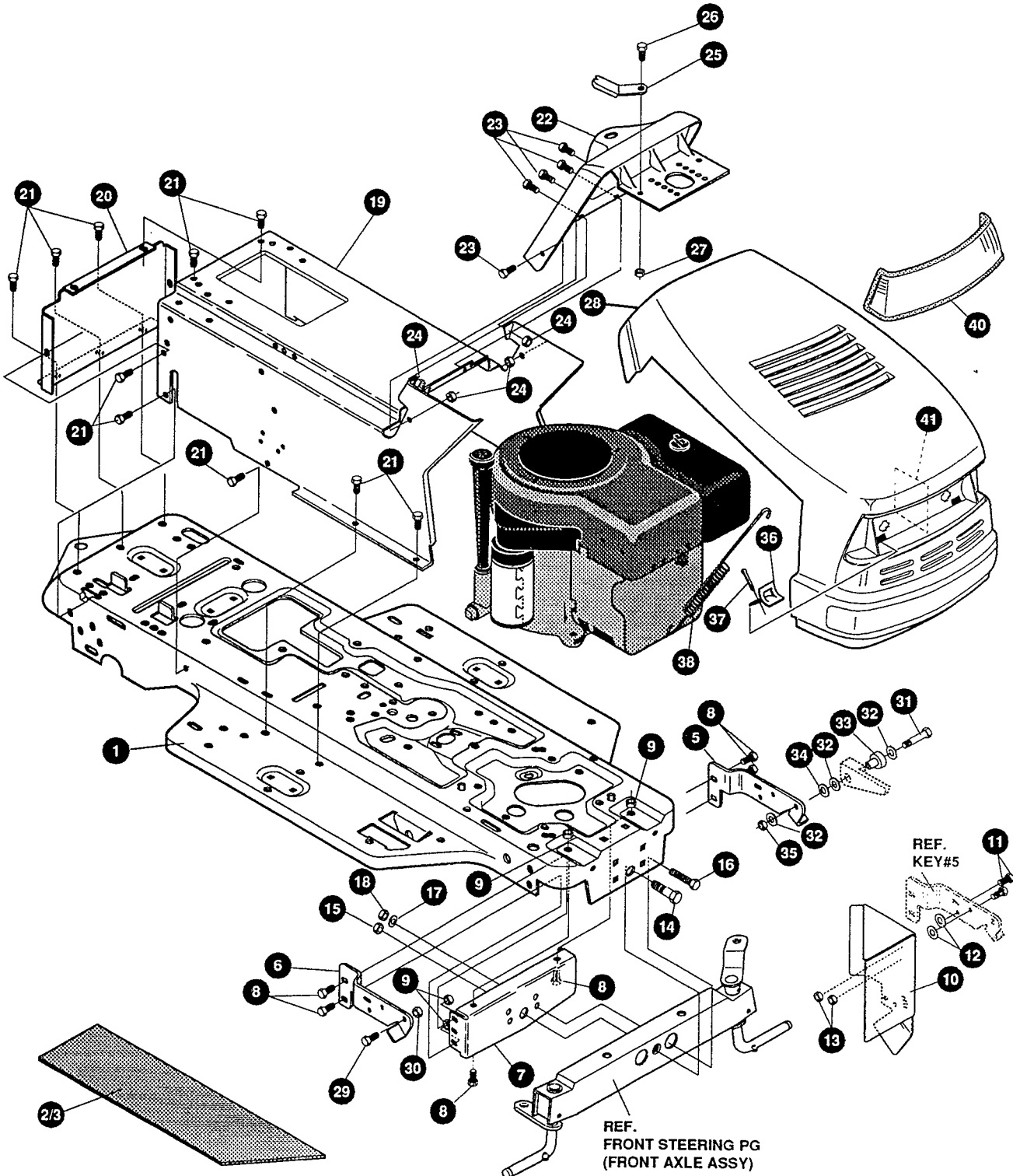


F3554-231 (0)
12HP/39"

Texas 120-39 1995

F3554-231

REPAIR PARTS



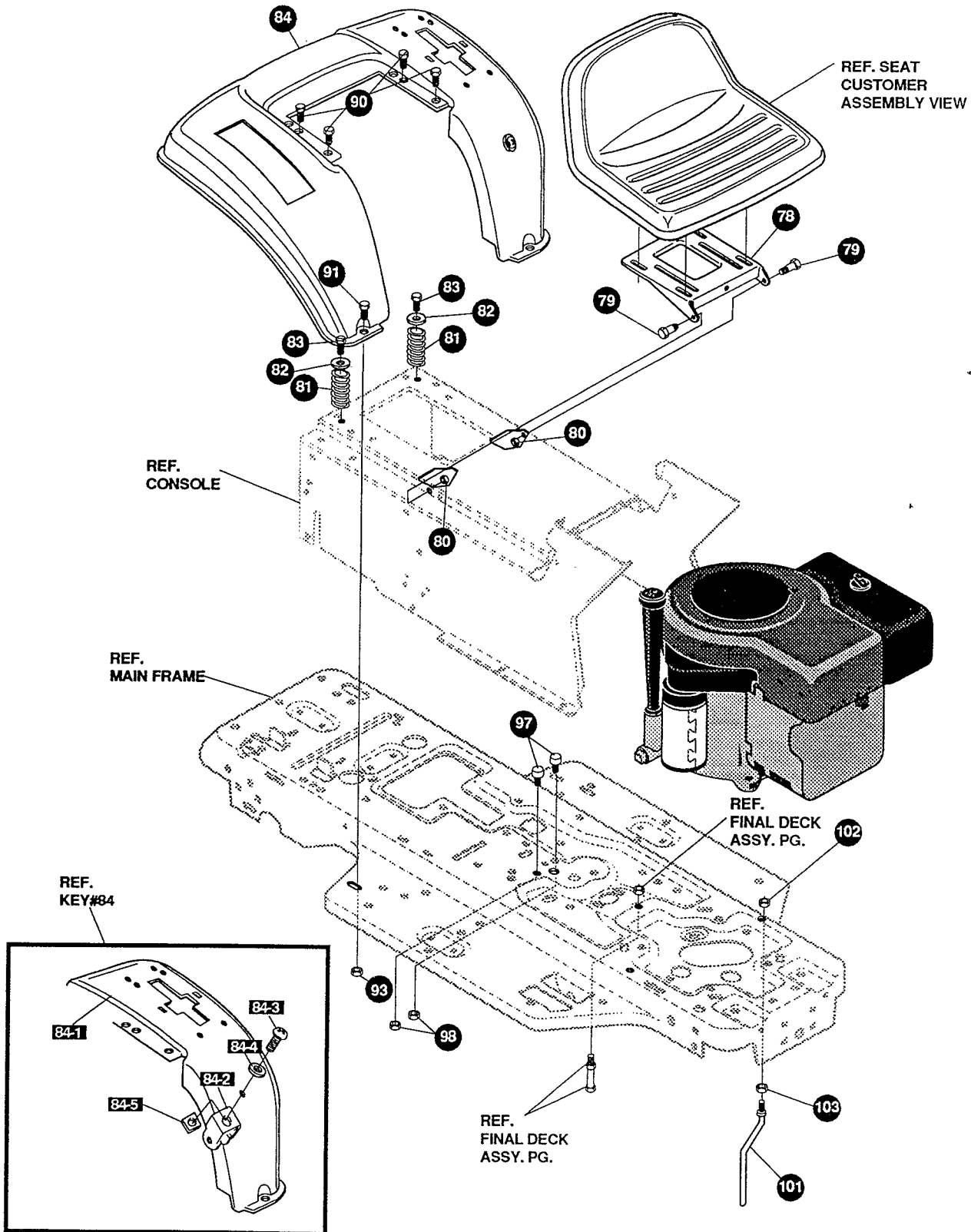
NOTE: ALWAYS USE ORIGINAL EQUIPMENT PARTS.
Use of service/replacement parts other than original equipment parts may void your warranty.

**ALL UNNUMBERED
ITEMS ARE INTERCHANGEABLE
WITH OPPOSITE SIDE**

335395 B

KEY#	PART#	DESCRIPTION	QTY
1	331173-889	FRAME, MAIN, SF, RIDER	1
2	331834	FOOT PAD, RH, SF, FULL WIDTH	1
3	331835	FOOT PAD, LH, SF, FULL WIDTH	1
5	313001-853	BRACKET, GRILLE, SUPPORT, LH	1
6	313002-853	BRACKET, GRILLE, RH	1
7	56362-853	BRACKET, SUPPORT, FRONT, AXLE-SF	1
8	328154	SCREW, 5/16-18 X 1.0WDFLLK	6
9	55273	NUT, 5/16-18 WDFLLKLRG WHIZ	6
10	312908-853	SHIELD, HEAT 11&12HP, B&S & TEC, SF	1
11	180020	SCREW, 1/4-20 X .75 HHC	2
12	311245	WASHER, FLAT.250 X .75 X INSULATE	2
13	51335	NUT, 1/4-20 WDFLWHIZ-LK	2
14	29616	BOLT, .625 X 1.890 HSH, 1/2-20	1
15	274654	NUT, 1/2-20 REGHXCTRLK	1
16	180138	SCREW, 3/8-16 X 3.00 HHC	2
17	2483	WASHER, .39 ID X 1.25 D X .07 BELLVIL	2
18	1499	NUT, 3/8-16 REGHXCTRLK	2
19	324748-889	CONSOLE, SF, DYNA, FENDER SHIFT	1
20	56235-889	CONSOLE, REAR COVER	1
21	995346	SCREW, 1/4-20 X .50 WAHHTAP	15
22	320466-830	DASH, SF	1
23	44811	SCREW, 1/4-20 X .75 WAHHTAP	6
24	50352	NUT, 1/4-20 WDFLLK TOPLOCK	4
25	313021-853	GUIDE, HOOD, SF & LF, H13, H14, H15	2
26	180020	SCREW, 1/4-20 X .75 HHC	2
27	51335	NUT, 1/4-20 WDFLWHIZ-LK	2
28	335409	HOOD, SMALL, H-13	1
29	56676	BOLT, .375 X .580 HSH, 5/16-18	1
30	1498	NUT, 5/16-18 REGHEXCTRLK	1
31	180042	SCREW, 1/4-20 X 1.75 HHC	1
32	120392	WASHER, FLAT .281 X .63 X .065	3
33	309532	BEARING, FLANGED, PLASTIC, HOOD	1
34	311245	WASHER, FLAT.250 X .75 X INSULATE	1
35	1502	NUT, 1/4-20 REGHEXCTRLK	1
36	310801	ANCHOR, HOOD LANYARD	1
37	121222	PIN, COTTER .090 DIA X .75 LONG	1
38	304784	SPRING, HOOD LATCH	1
40	302670	LENS, HEADLAMP	1
41	361752 308492	FOIL, HEAT REFLECTOR	1
	336713	PARTS MANUAL	1
	336047	OPERATOR'S MANUAL (DANISH)	1





NOTE: ALWAYS USE ORIGINAL EQUIPMENT PARTS.
 Use of service/replacement parts other than original equipment parts may void your warranty.

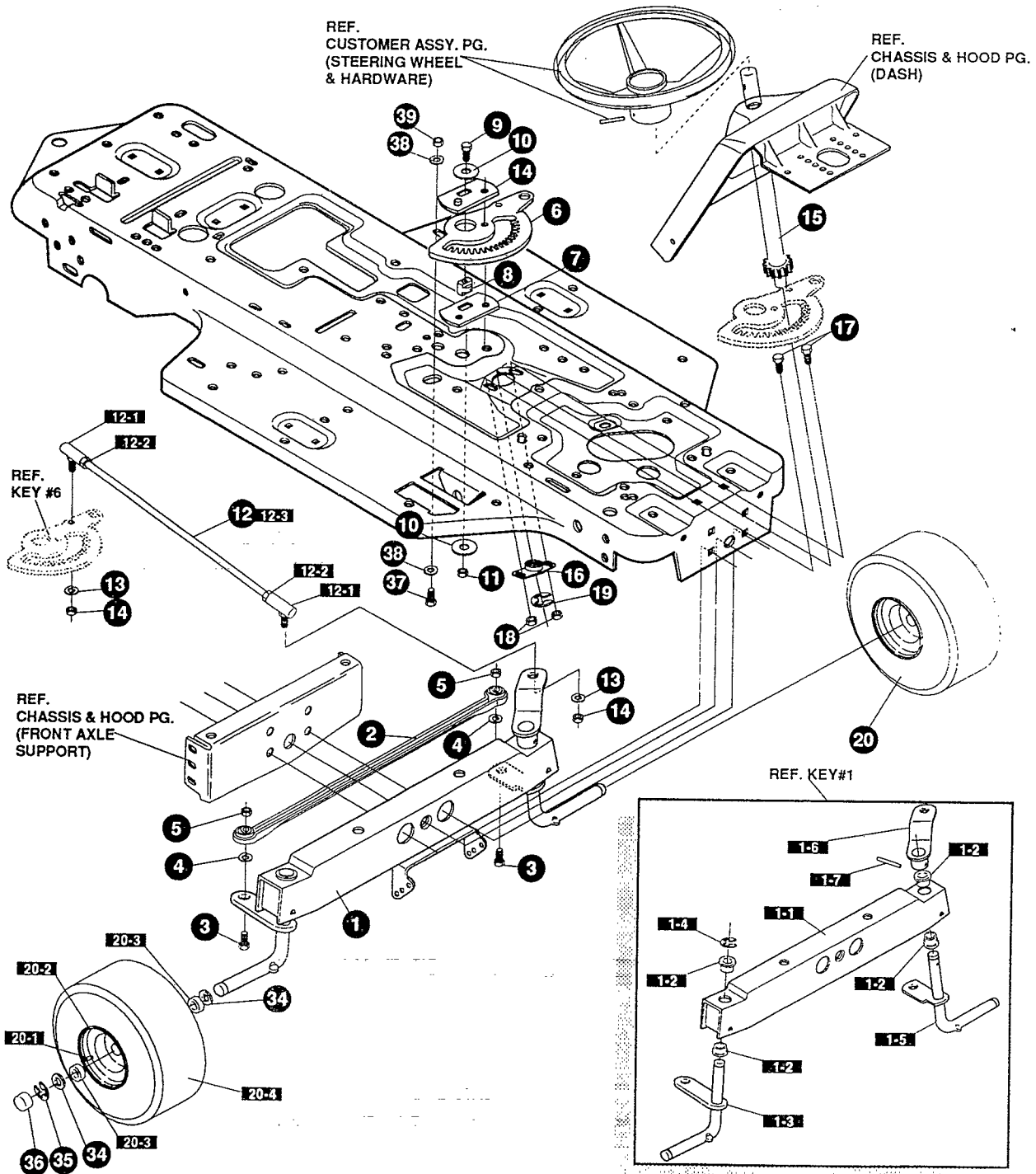
ALL UNNUMBERED ITEMS ARE INTERCHANGEABLE WITH OPPOSITE SIDE

F3554-231**CHASSIS & HOOD ASSEMBLY**

KEY#	PART#	DESCRIPTION	QTY
78	58367-889	PLATE, SEAT, F5, SF, LF	1
79	20507	BOLT, .437 X .156 HHSH, 5/16-18	2
80	1498	NUT, 5/16-18 REGHEXCTRLK	2
81	330463	SPRING, SEAT 1.50 OD X 2.25 LONG	2
82	120392	WASHER, FLAT .281 X .63 X .065	2
83	995346	SCREW, 1/4-20 X .50 WAHHTAP	2
84	*	ASSEMBLY, FENDER, F-5, SF, SOF/LOF	1
84-1	327334-889	FENDER, F-5, SF, SOF/LOF	1
84-2	9239	CLEVIS	1
84-3	439455	SCREW, 5/16-18 X .56 PHPNMA	1
84-4	301551	WASHER, .344 ID X 1.50 D X .09	1
84-5	120373	NUT, 5/16-18 SQUARE	1
90	995346	SCREW, 1/4-20 X .50 WAHHTAP	4
91	126358	BOLT, 5/16-18 X 1.00 CARRLN	2
93	55273	NUT, 5/16-18 WDFLLKLRG, WHIZ	2
97	53446	PIN, 5/16-18 HOOD LATCH	2
98	271184	NUT, 5/16-18 HEXKEPS	2
101	50653	GUIDE, BELT	1
102	41529	NUT, 3/8-16 HXCTRLKJAM	1
103	271190	NUT, 3/8-16 HEXKEPS	1

F3554-231

REPAIR PARTS



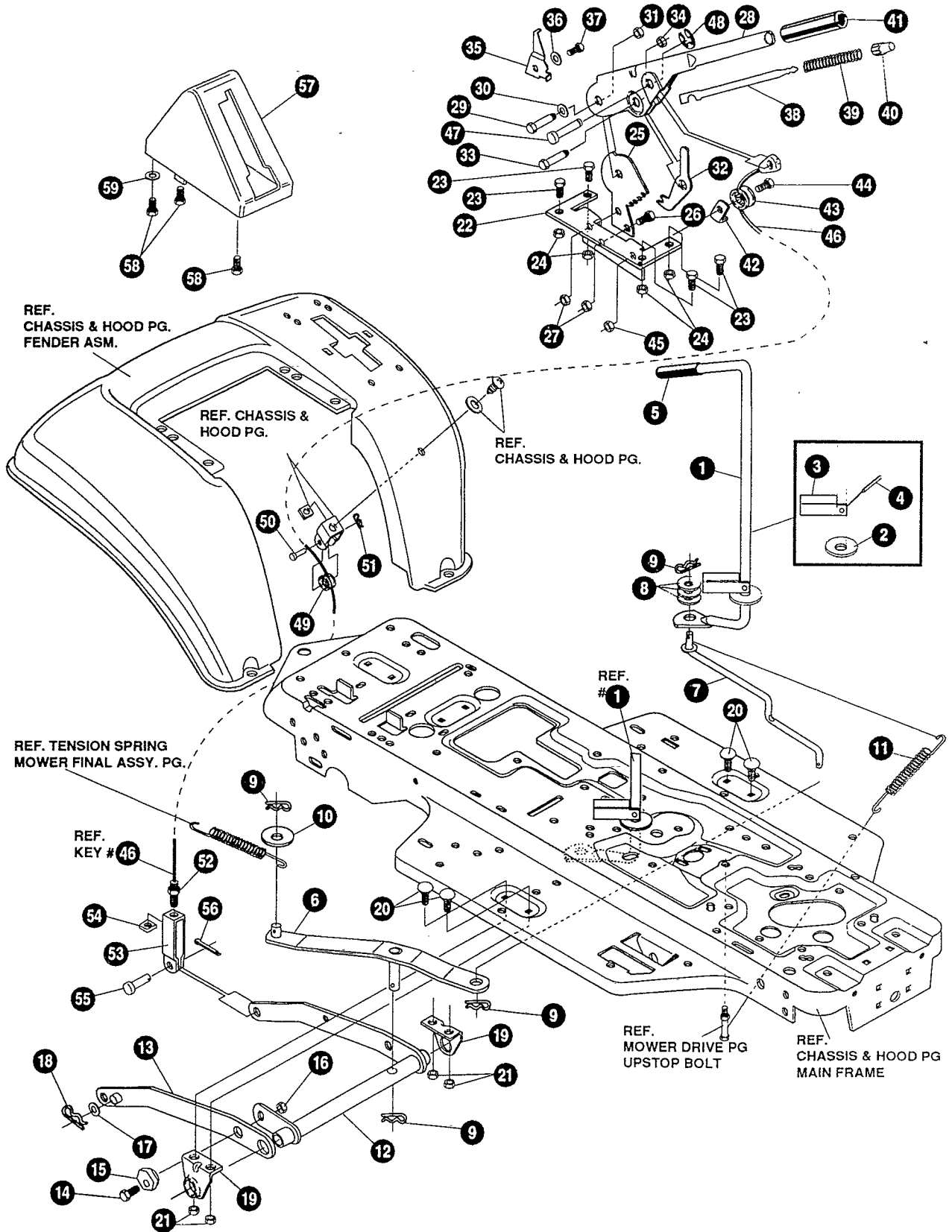
NOTE: ALWAYS USE ORIGINAL EQUIPMENT PARTS.
 Use of service/replacement parts other than original equipment parts may void your warranty.

ALL UNNUMBERED ITEMS ARE INTERCHANGEABLE WITH OPPOSITE SIDE

324972 H

KEY#	PART#	DESCRIPTION	QTY
1	*	AXLE, FRONT ASSEMBLY, SF, LONG	1
1-1	324915-889	ASSEMBLY, FRONT AXLE, SF, GS	1
1-2	50546	BEARING, FLANGE .759 ID X 1.002 OD X .75	4
1-3	310368	SPINDLE, ASSEMBLY, RH, LONG, SF	1
1-4	36625	RING, RETEX .57 X .05 TRU 5133-75	1
1-5	310367	SPINDLE, ASSEMBLY, LH, LONG, SF	1
1-6	327619-853	ARM ASSEMBLY, SF, 4WS, FRONT STEERING	1
1-7	454565	PIN, SPRING .250 DIA X 1.25 LONG	1
2	302688	ASSEMBLY, TIE ROD, 19.31 LONG	1
3	180124	SCREW, 3/8-16 X 1.25 HHC	2
4	120382	WASHER, REGSPTLK .393 X .68 X .10	2
5	1499	NUT, 3/8-16 REGHXCTRLK	2
6	327399	GEAR, SECTOR, SF, 2WS	1
7	333289	PLATE SECTOR, SF, 4WS, BLACK	2
8	330021	BUSHING, SECTOR, GEAR, SF, 4WS	1
9	181643	SCREW, 3/8-24 X 1.50 HHC	1
10	845	WASHER, FLAT .390 X 1.25 X .119	2
11	412349	NUT, 3/8-24 HXCTRLK	1
12	328808	DRAG LINK ASSEMBLY, 17.69 LONG	1
12-1	57158	BALL JOINT, 3/8 THD, SHORT STUD	2
12-2	124925	NUT, 3/8-24 REGHEXJAM	2
12-3	56190	DRAG LINK	1
13	120382	WASHER, REGSPTLK .393 X .68 X .10	2
14	120369	NUT, 3/8-24 REGHEX	2
15	327834	SHAFT, PIN-STEER, BLACK	1
16	325692	BEARING, FLANGE .50 ID X 1.370 OD	1
17	326505	SCREW, 1/4-20 X .75 (TQ 30-35 FT#)	2
18	46931	NUT, 1/4-20 WDFL MAC-LOCK	2
19	20864	RING, RET E .39 X .04 TRU 5133-50	1
20	302828	TIRE & RIM ASSEMBLY, PU 15 X 6.0 X 6	2
20-1	24167	VALVE STEM	
20-2	39829	RIM, WHEEL	
20-3	314416	BEARING, FLANGE	
20-4	316702	TIRE, 15 X 6 X 6	
34	642	WASHER, FLAT .755 X 1.31 X .075	4
35	36625	RING, RETEX .57 X .05 TRU 5133-75	2
36	40394	HUB CAP, 1.500 ID X 7/8 LONG	2
37	180124	SCREW, 3/8-16 X 1.25 HHC	1
38	120394	WASHER, FLAT .406 X .81 X .065	2
39	45171	NUT, 3/8-16 HWDFL WHIZ-LOCK	1

* ORDER INDIVIDUAL PARTS - ASSEMBLY NOT AVAILABLE



NOTE: ALWAYS USE ORIGINAL EQUIPMENT PARTS.
Use of service/replacement parts other than original equipment parts may void your warranty.

ALL UNNUMBERED ITEMS ARE INTERCHANGEABLE WITH OPPOSITE SIDE

333061 B

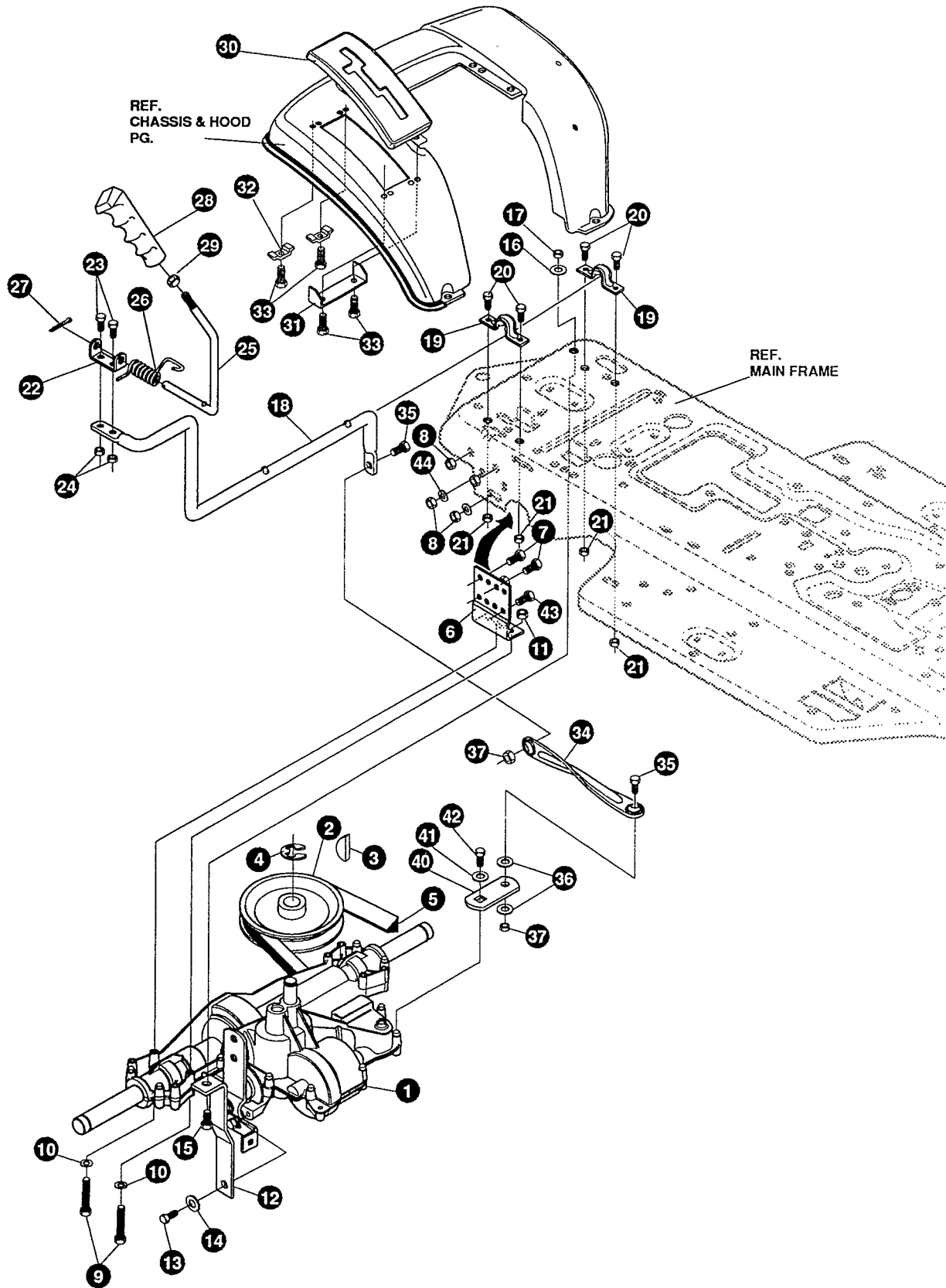
F3554-231

MOWER SUSPENSION ASSEMBLY

KEY#	PART#	DESCRIPTION	QTY
1	325591	LEVER, CLUTCH, RH, PTO	1
2	22265	WASHER, FLAT .515 X 1.38 X .119	1
3	305225	STOP, PTO ENGAGE	1
4	326386	PIN, SPRING, .187 DIA X 1.13 LONG	1
5	331624	KNOB, ROUND 1.50 DIA OR GRIP, SF	1
6	325587-853	STRAP ASSEMBLY, PTO, BELCRANK, SF	1
7	325590	ROD, BELCRANK, LINK, SF	1
8	274517	WASHER, FLAT .406 X .73 X .063	3
9	8260	PIN, HAIR .091 DIA X 1.66 LONG	4
10	25210	WASHER, FLAT .386 X 1.25 X .09	1
11	325802	SPRING, .69 X 7.75 X .0897 TENSION	1
12	326114-853	LIFT ASSEMBLY, LH	1
13	325130-853	LIFT ASSEMBLY, RH, SF	1
14	180079	SCREW, 5/16-18 X 1.00 HHC	1
15	58247	NUT, ADJUST	1
16	1498	NUT, 5/16-18 REGHEXCTRLK	1
17	417098	WASHER, FLAT .531 X 1.06 X .063	2
18	8260	PIN, HAIR .091 DIA X 1.66 LONG	2
19	325495-853	BRACKET, REAR HANG, SUSP	2
20	330967	BOLT, 5/16-18 X 1.00 CARR	4
21	1498	NUT, 5/16-18 REGHEXCTRLK	4
22	313926	BRACKET, HEIGHT ADJUST	1
23	180077	SCREW, 5/16-18 X .75 HHC	4
24	1498	NUT, 5/16-18 REGHEXCTRLK	4
25	301238	QUADRANT, HEIGHT ADJUST	1
26	180077	SCREW, 5/16-18 X .75 HHC	2
27	1498	NUT, 5/16-18 REGHEXCTRLK	2
28	322292-853	HANDLE, LIFT SHORT (30" S.F.)	1
29	300171	BOLT, .500 X .270 HSSH, 5/16-18	1
30	996418	WASHER, FLAT .506 X .75 X .024	1
31	44108	NUT, 5/16-18 HWDFLCTRLK	1
32	301239	PAWL, SQUARE	1
33	300171	BOLT, .500 X .270 HSSH, 5/16-18	1
34	44108	NUT, 5/16-18 HWDFLCTRLK	1
35	9435	POINTER, HEIGHT ADJUST	1
36	138479	WASHER, EXLK .195 X .41 X .03	1
37	35287	SCREW, #8-32 X .38 HHWATAP	1
38	303027	ROD, ACTUATOR-SHORT	1
39	58326	SPRING, HEIGHT ADJUST	1
40	58325	KNOB, HEIGHT ADJUST, PUSH BUTTON	1
41	58329	GRIP, .750 OD W/ HOLE, BLACK	1
42	9149	BRACKET, CABLE RETAINER	1
43	48306	PULLEY, METAL	1
44	58336	BOLT, .375 X .375 HSSH, 1/4-20	1
45	1502	NUT, 1/4-20 REGHEXCTRLK	1
46	321430	CABLE, LIFT 21.50 - 30" S.F.	1
47	300310	PIN, CLEVIS .310 DIA+.475 LONG	1
48	300311	RING, RET E .31 X .25 TRU 5133-31	1
49	48306	PULLEY, METAL	1
50	300317	PIN, CLEVIS .375 DIA X .81 LONG	1
51	8260	PIN, HAIR .091 DIA X 1.66 LONG	1
52	120375	NUT, 1/4-20 REGHEX	1
53	9405	CLEVIS, LIFT CABLE	1
54	120372	NUT, 1/4-20 REGSQ	1
55	39522	PIN, CLEVIS .312 X .812	1
56	121222	PIN, COTTER .090 DIA X .75 LONG	1
57	333903	LIFT COVER, F5, LF, SF, BLACK	1
58	300340	SCREW, #10 X .75 HHPLAST, BLACK	3
59	120392	WASHER, FLAT .281 X .63 X .065	1

F3554-231

REPAIR PARTS



NOTE: ALWAYS USE ORIGINAL EQUIPMENT PARTS.
Use of service/replacement parts other than original equipment parts may void your warranty.

**ALL UNNUMBERED
ITEMS ARE INTERCHANGEABLE
WITH OPPOSITE SIDE**

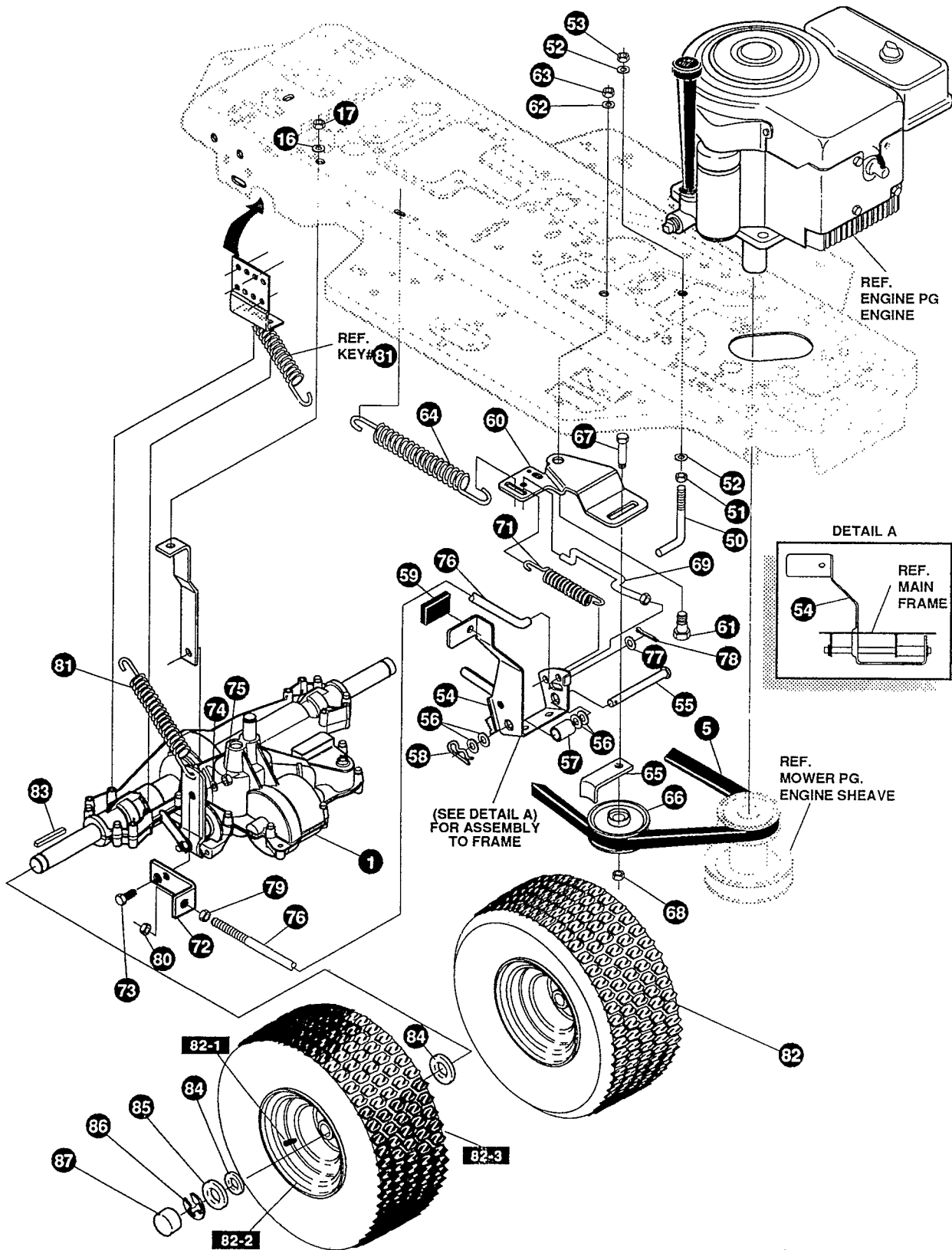
336288 A

F3554-231

MOTION DRIVE ASSEMBLY

KEY#	PART#	DESCRIPTION	QTY
1	*	TRANSAXLE, PEERLESS, 930-5, LF/SF	1
2	303109	PULLEY, 6.6 OD, V4L, T/A	1
3	50795	KEY, HI-PRO 606, .75 DIA X .187 WD	1
4	22053	RING, RETEX .58 X .035 TRU 5100-62	1
5	54758	BELT, V 4L, 82.00, SF, DRIVE	1
6	326615-853	BRACKET, TRANSAXLE	2
7	180077	SCREW, 5/16-18 X .75 HHC	4
8	1498	NUT, 5/16-18 REGHEXCTRLK	8
9	180091	SCREW, 5/16-18 X 2.50 HHC	4
10	120393	WASHER, FLAT .344 X .69 X .065	4
11	1498	NUT, 5/16-18 REGHEXCTRLK	4
12	323126	BRACKET, STABILIZER, BLACK	1
13	35498	SCREW, 5/16-18 X .75 WAHHTAP	1
14	120638	WASHER, HVSPTLK .328 X .60 X .09	1
15	180079	SCREW, 5/16-18 X 1.00 HHC	1
16	138485	WASHER, EXLK .320 X .61 X .03	1
17	1498	NUT, 5/16-18 REGHEXCTRLK	1
18	319113	LEVER, SHIFT, LOWER, SF, FENDER SHIFT	1
19	302760	CLAMP .625 DIA	2
20	180077	SCREW, 5/16-18 X .75 HHC	4
21	1498	NUT, 5/16-18 REGHEXCTRLK	4
22	310356	BRACKET, PIVOT, SHIFT LEVER	1
23	180020	SCREW, 1/4-20 X .75 HHC	2
24	1502	NUT, 1/4-20 REGHEXCTRLK	2
25	324798	LEVER, SHIFT UPPER, SOF, 1/2-13	1
26	310265	SPRING, TORSION .56 X .95 X .095	1
27	137185	PIN, COTTER .125 DIA X 1.00 LONG	1
28	306690	KNOB, ROUND 1.50 DIA OR GRIP, SF	1
29	120238	NUT, 1/2-13 HEXJAM	1
30	311209	COVER, PLASTIC, LF, P930/F4360-6	1
31	311257-853	BRACKET COVER, F-5, FENDER SHIFT	1
32	1341	CLAMP, SPRING 1.17"ID	2
33	311331	SCREW, 1/4-15 X .44/.53 HILOHHWA	4
34	309546	LINK, TIE ROD SHIFT, 7.812C/L	1
35	180124	SCREW, 3/8-16 X 1.25 HHC	2
36	120394	WASHER, FLAT .406 X .81 X .065	2
37	1499	NUT, 3/8-16 REGHXCTRLK	2
40	309637	BRACKET,SHIFT, 5SP, SF	1
41	57157	WASHER, .750 X .250 SP-TRANSAXLE	1
42	56255	SCREW, 1/4-28 X .75 NYLHHC	1
43	327917	SCREW, 5/16-18 X 1.50 HHCFT	4
44	73787	WASHER, FLAT .330 X .75 X .1793	4

* CONTACT YOUR NEAREST TRANSAXLE DEALER FOR PARTS & SERVICE

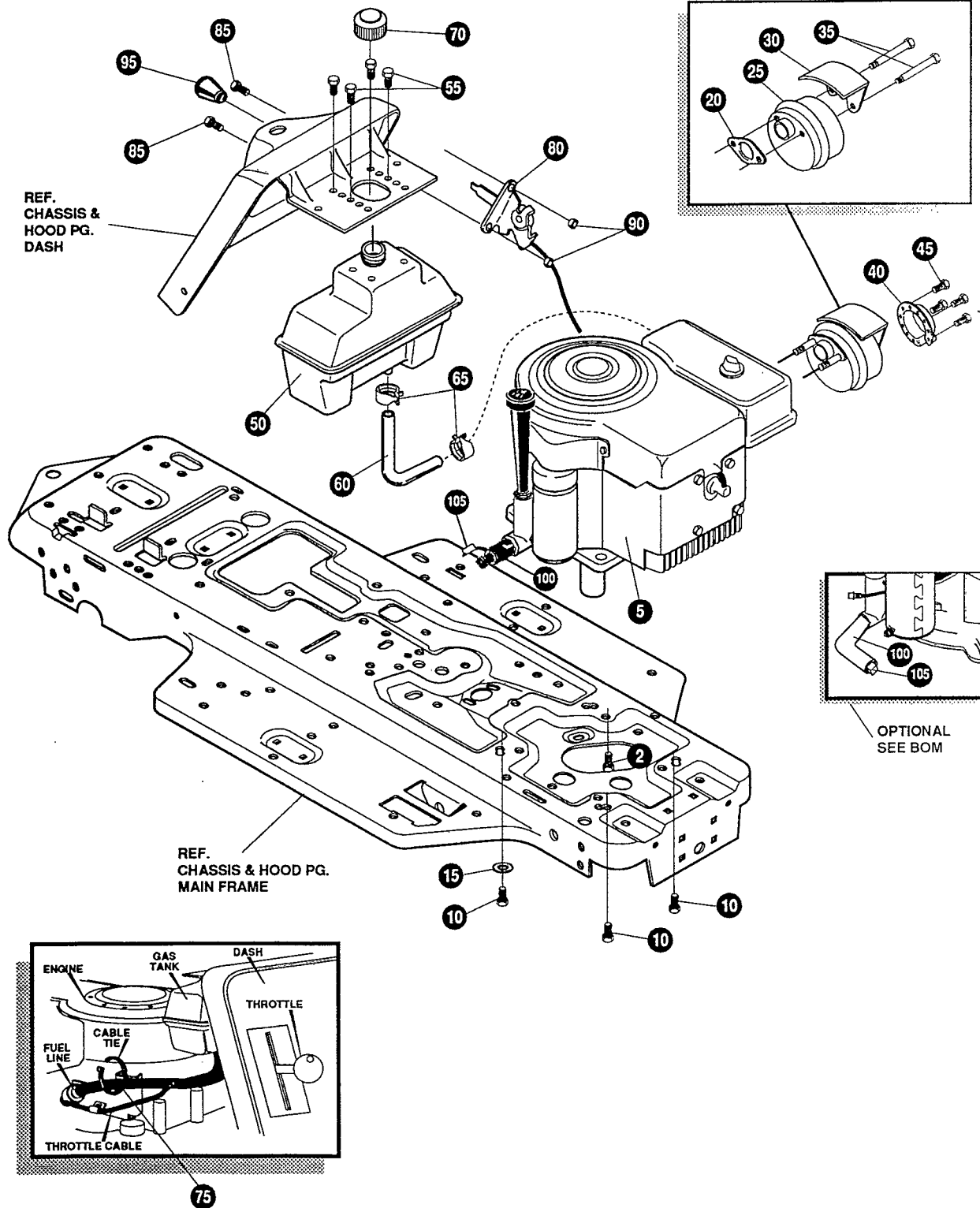


NOTE: ALWAYS USE ORIGINAL EQUIPMENT PARTS.
Use of service/replacement parts other than original equipment parts may void your warranty.

ALL UNNUMBERED ITEMS ARE INTERCHANGEABLE WITH OPPOSITE SIDE

336288 A

KEY#	PART#	DESCRIPTION	QTY
50	49896	BELT GUIDE	1
51	271184	NUT, 5/16-18 HEXKEPS	1
52	120393	WASHER, FLAT .344 X .69 X .065	2
53	1498	NUT, 5/16-18 REGHEXCTRLK	1
54	331836	ASSEMBLY, PEDAL, BRAKE, CLUTCH, SF	1
55	319676	PIN, CLEVIS .500 D X 4.87 LONG	1
56	2968	WASHER, FLAT .504 X .75 X .059	4
57	331972	SPACER, SLEEVE .53 X .62 X 1.240	1
58	56180	PIN, HAIR .091 DIA X 1.62 LONG	1
59	48761	PAD, CLUTCH/BRAKE PEDAL	1
60	321969-853	IDLER ARM BRACKET, TRACTION, SF	1
61	329989	BOLT, .625 X .135 HSH, 5/16-18	1
62	45602	WASHER, FLAT .333 X .87 X .119	1
63	1498	NUT, 5/16-18 REGHEXCTRLK	1
64	327867	SPRING, 3/4 OD X 7.75 X .091 TENSION	1
65	39659	RETAINER, BELT	1
66	35374	PULLEY, IDLER V4L, 3.06 X .62	1
67	45892	BOLT, 3/8-16X1.50 CARRSN	1
68	1499	NUT, 3/8-16 REGHXCTRLK	1
69	333175	CLUTCH ROD ASSEMBLY, .268 DIA 3.92	1
71	326780	SPRING, 3/8 OD X 2.18 X .055 TENSION	1
72	323127	BRACKET, BRAKE ROD, BLACK	1
73	20507	BOLT, .437 X .156 HSH, 5/16-18	1
74	4230	WASHER, FLAT .328 X .68 X .104	1
75	1498	NUT, 5/16-18 REGHEXCTRLK	1
76	323222	BRAKE ROD, RIDER, BLACK	1
77	120393	WASHER, FLAT .344 X .69 X .065	1
78	121222	PIN, COTTER .090 DIA X .75 LONG	1
79	271184	NUT, 5/16-18 HEXKEPS	1
80	44108	NUT, 5/16-18 HWDFLCTRLK	1
81	35410	SPRING, .071 X .62 X 4.37	1
82	326363	TIRE & RIM ASSEMBLY, 20 X 8.00-8	2
82-1	24167	VALVE STEM	
82-2	326362	RIM, WHEEL	
82-3	319684	TIRE, 20 X 8 X 8	
83	52928	KEY, SQUARE .187 SQUARE X 2.25 LONG	2
84	642	WASHER, FLAT .755 X 1.31 X .075	4
85	42815	WASHER, FLAT .755 X 1.53 X .07	2
86	36625	RING, RETEX .57 X .05 TRU 5133-75	2
87	40394	HUB CAP, 1.50 OID X 7/8 LONG	2



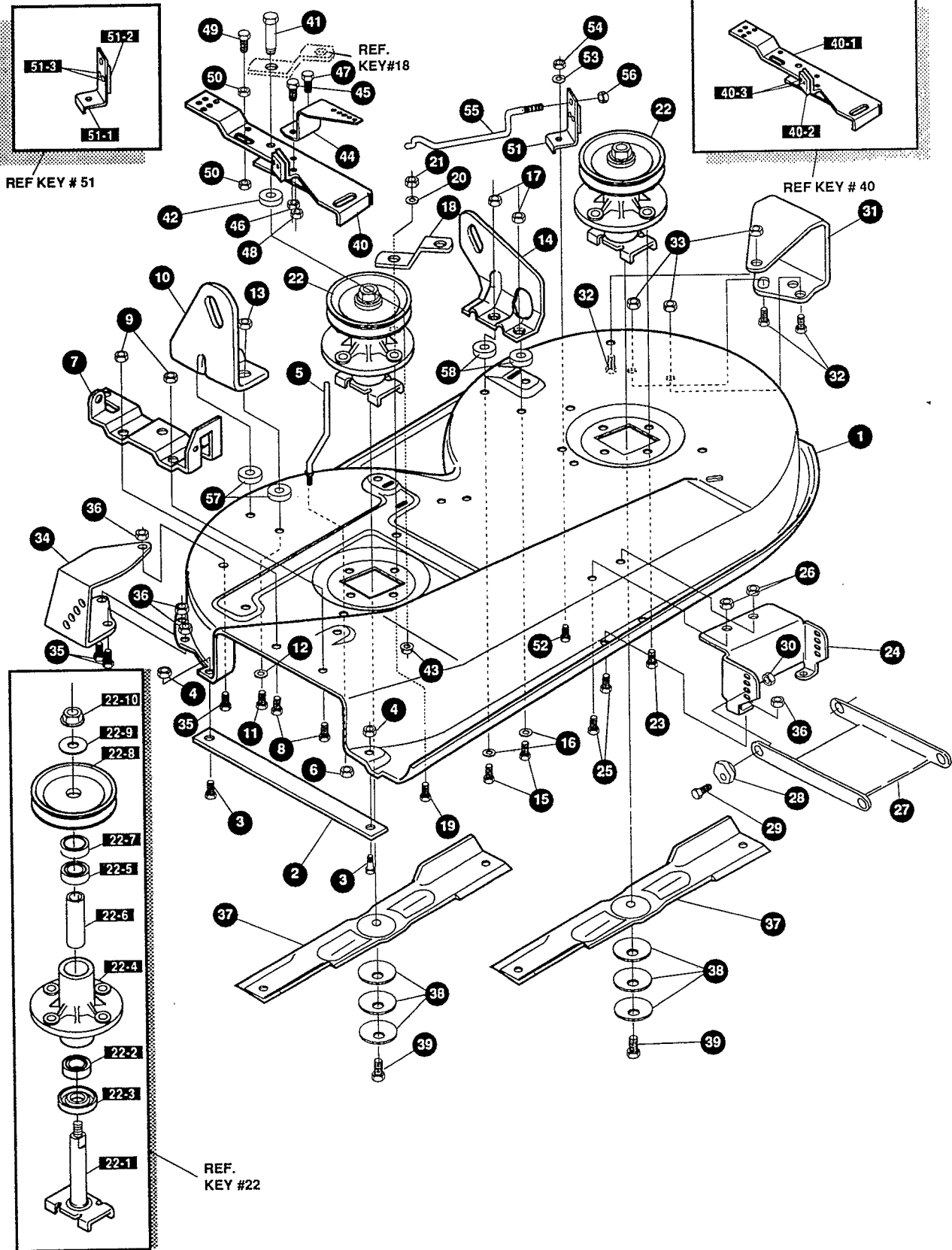
NOTE: ALWAYS USE ORIGINAL EQUIPMENT PARTS.
 Use of service/replacement parts other than original equipment parts may void your warranty.

**ALL UNNUMBERED
 ITEMS ARE INTERCHANGEABLE
 WITH OPPOSITE SIDE**

331639 B

KEY#	PART#	DESCRIPTION	QTY
5	*	ENGINE, 10-12HP, B&S, 3A	1
10	50947	SCREW, 3/8-16 X 1.25 WAHHTAP, BLACK	4
15	138489	WASHER, EXLK .384 X .69 X .04	1
20	46708	GASKET, MUFFLER	1
25	57908	MUFFLER-DOMESTIC/EXPORT ROUND	1
30	54767	SHIELD, HEAT, FOR ROUND MUFFLER	1
35	54980	SCREW, 5/16-18 X 3.50 HHC	2
40	56472	DEFLECTOR SIDE OUT (BS222573)	1
45	35287	SCREW, #8-32 X .38 HHWATAP	4
50	314989	TANK, FUEL, 1 GALLON, CLEAR	1
55	300303	SCREW, .25 X .75 X .51 HHWA, PLASTITE	4
60	42258	TUBING, .25 X .50 X BULK GAS LINE	12.0"
65	47345	CLAMP, HOSE SCREW TYPE	2
70	46704	CAP, GAS 1-1/2-7 THD, BLACK	1
75	57444	TIE, CABLE BLACK NYLON, 5.62 LONG	1
80	320031	THROTTLE CONTROL	1
85	274707	SCREW, 10-24 X .50 WAHMA	2
90	308459	NUT, #10-24 HXHDNYLK	2
95	50607	KNOB, ROUND THROTTLE, BLACK	1
100	325547	OIL DRAIN VALVE OR TUBE	1
105	327422	CAP OR PLUG FOR OIL DRAIN	1

* SEE ENGINE MANUAL



NOTE: ALWAYS USE ORIGINAL EQUIPMENT PARTS.
 Use of service/replacement parts other than original equipment parts may void your warranty.

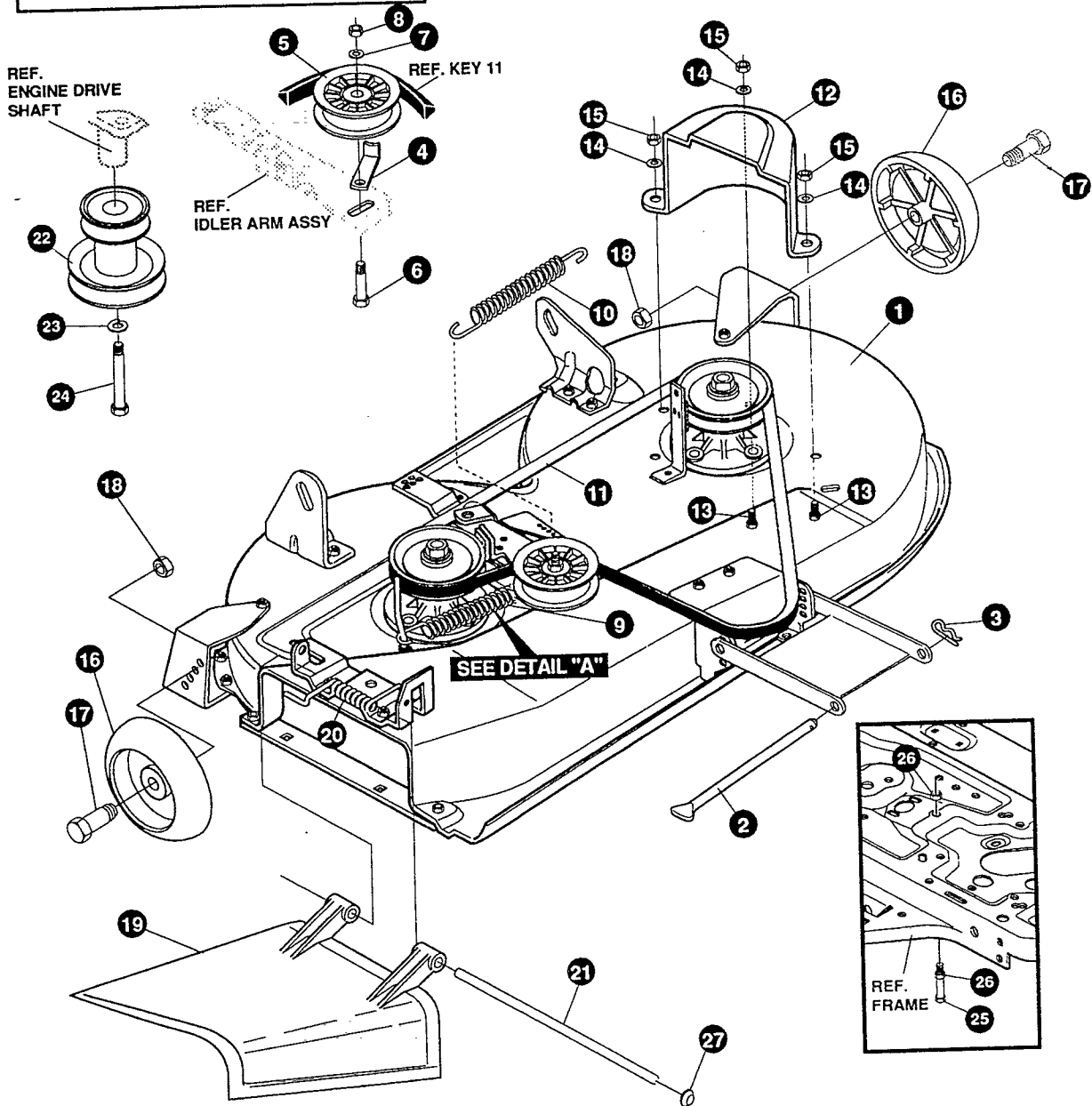
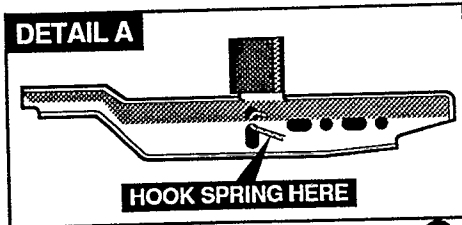
ALL UNNUMBERED ITEMS ARE INTERCHANGEABLE WITH OPPOSITE SIDE

333272 C

F3554-231

PRE-PAINTED DECK ASSEMBLY

KEY#	PART#	DESCRIPTION	QTY
1	325106	39" DECK KIT	1
2	326295-853	BAR, SKID	1
3	126216	BOLT, 5/16-18 X .75 CARRLN	2
4	271184	NUT, 5/16-18 HEXKEPS	2
5	57318	GUIDE, BELT 5/16-18 THD	1
6	1498	NUT, 5/16-18 REGHEXCTRLK	1
7	313928	BRACKET, CHUTE	1
8	180073	SCREW, 5/16-18 X .50 HHC	2
9	1498	NUT, 5/16-18 REGHEXCTRLK	2
10	313929	BRACKET, RH, LIFT REAR	1
11	180081	SCREW, 5/16-18 X 1.25 HHC	2
12	120393	WASHER, FLAT .344 X .69 X .065	2
13	1498	NUT, 5/16-18 REGHEXCTRLK	2
14	310667	BRACKET, LH, LIFT REAR	1
15	180081	SCREW, 5/16-18 X 1.25 HHC	2
16	120393	WASHER, FLAT .344 X .69 X .065	2
17	1498	NUT, 5/16-18 REGHEXCTRLK	2
18	315302-853	BRACKET, IDLER SUPPORT	1
19	300345	SCREW, 5/16-18 X 1.38 WAHHTAP	1
20	120393	WASHER, FLAT .344 X .69 X .065	1
21	1498	NUT, 5/16-18 REGHEXCTRLK	1
22	56424-853	QUILL ASSEMBLY, 36/39/40/43	2
22-1	56425	SHAFT/SADDLE 36"	1
22-2	49562	BEARING, BALL 6203-2AA-C3 ARMORED	1
22-3	50616	DUST SHIELD	1
22-4	55547	QUILL CASTING (1046)	1
22-5	49562	BEARING, BALL 6203-2AA-C3 ARMORED	1
22-6	50818	SPACER, SLEEVE .669 X .88 X 3.797	1
22-7	51449	SPACER, SLEEVE .672 X .93 X .438	1
22-8	313898	PULLEY, 26/36" QUILL, V5L	1
22-9	56365	WASHER, SPECIAL QUILL	1
22-10	1282	NUT, 7/16-20 WDFLLK	1
23	35498	SCREW, 5/16-18 X .75 WAHHTAP	7
24	312526	SUPPORT, LIFT DECK FRONT	1
25	180077	SCREW, 5/16-18 X .75 HHC	4
26	1498	NUT, 5/16-18 REGHEXCTRLK	4
27	58305-853	BRACKET, LINK DECK FRONT	1
28	58247	NUT, ADJUST	2
29	180079	SCREW, 5/16-18 X 1.00 HHC	2
30	1498	NUT, 5/16-18 REGHEXCTRLK	2
31	312477	BRACKET, LH, WHEEL	1
32	180077	SCREW, 5/16-18 X .75 HHC	3
33	1498	NUT, 5/16-18 REGHEXCTRLK	3
34	300102-853	WHEEL BRACKET, RH	1
35	180077	SCREW, 5/16-18 X .75 HHC	3
36	1498	NUT, 5/16-18 REGHEXCTRLK	3
37	309069	BLADE, 19.69 LOW-LIFT	2
38	2483	WASHER, .39 ID X 1.25 D X .07 BELLVIL	6
39	39573	SCREW, 3/8-24 X 1.00 NYLHHC	2
40	300491-853	IDLER ARM ASSEMBLY	1
40-1	300490-853	IDLER ARM, 36, 38, 39, & 45 SD	1
40-2	306973	BRAKE PAD - HARD-NF343 (X-31)	1
40-3	41601	RIVET, OVSET .187 DIA X .50 LONG	2
41	300180	BOLT, .50 X 1.88 HSSH, 3/8-16	1
42	996416	WASHER, FLAT .391 X 1.00 X .125	1
43	45171	NUT, 3/8-16 HWDFL WHIZ-LOCK	1
44	326249-853	BRACKET, EXTENSION IDLER	1
45	180077	SCREW, 5/16-18 X .75 HHC	1
46	1498	NUT, 5/16-18 REGHEXCTRLK	1
47	180020	SCREW, 1/4-20 X .75 HHC	1
48	1502	NUT, 1/4-20 REGHEXCTRLK	1
49	121954	SCREW, 1/4-20 X 2.00 HHC	1
50	271172	NUT, 1/4-20 REGHEXKEPS	2
51	303247	ASSEMBLY, BLADE BRAKE 36, 39, 45	1
51-1	303246	BRAKE ARM	1
51-2	306973	BRAKE PAD - HARD-NF343 (X-31)	1
51-3	135624	RIVET, TRSET .185 DIA X .41 LONG	2
52	180077	SCREW, 5/16-18 X .75 HHC	1
53	120393	WASHER, FLAT .344 X .69 X .065	1
54	1498	NUT, 5/16-18 REGHEXCTRLK	1
55	300316	ROD, BRAKE RELEASE, 14.7 39" DECK	1
56	1502	NUT, 1/4-20 REGHEXCTRLK	1
57	314702	SPACER, SLEEVE .344 X 1.00 X .500	2
58	314702	SPACER, SLEEVE .344 X 1.00 X .500	2

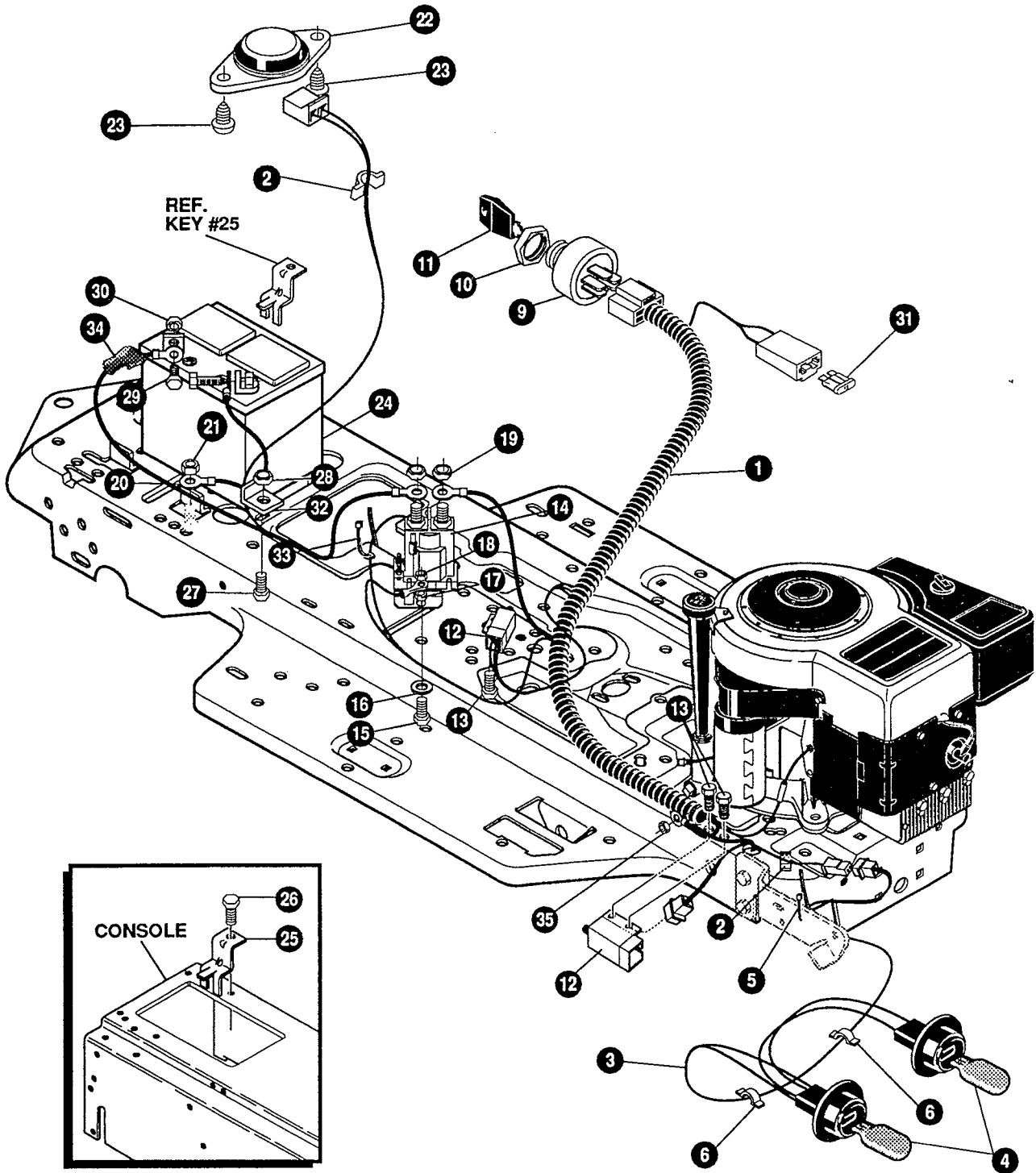


NOTE: ALWAYS USE ORIGINAL EQUIPMENT PARTS.
 Use of service/replacement parts other than original equipment parts may void your warranty.

**ALL UNNUMBERED
 ITEMS ARE INTERCHANGEABLE
 WITH OPPOSITE SIDE**

333274 B

KEY#	PART#	DESCRIPTION	QTY
1	329456	ASSEMBLY, DECK, SF, 39" SD/20 X 8-8	1
2	58306	ROD, DECK HITCH	1
3	8260	PIN, HAIR .091 DIA X 1.66 LONG	1
4	1346	RETAINER, BELT	1
5	310326	PULLEY, IDLER BFF 4.00 WIDE FL	1
6	57325	BOLT, 3/8-16 X 2.00 CARRSN	1
7	120382	WASHER, REGSPTLK .393 X .68 X .10	1
8	120377	NUT, 3/8-16 REGHX	1
9	322064	SPRING, .75 X 8.4 X .105 TENSION	1
10	326256	SPRING, .75 X 10.0 X .105 TENSION	1
11	300680	BELT, V 5L, 77.75, KEVLAR	1
12	328257	GUARD, BELT LH, PLASTIC	1
13	180077	SCREW, 5/16-18 X .75 HHC	3
14	120393	WASHER, FLAT .344 X .69 X .065	3
15	1498	NUT, 5/16-18 REGHEXCTRLK	3
16	302611	GAUGE WHEEL, EURO 6.00 OD X 1.38 WD	2
17	23763	BOLT, .500 X 1.390 HHSH, 3/8-16	2
18	1499	NUT, 3/8-16 REGHXCTRLK	2
19	57818	CHUTE DEFLECTOR, 36", 39", 45"	1
20	314975	SPRING, TORSION, CHUTE DEFLECTOR	1
21	334908	KIT FOR 57317 PIVOT ROD	1
22	328034	PULLEY, ENGINE, V3L, 4.00 OFFSET	1
23	120383	WASHER, REGSPTLK .459 X .78 X .12	1
24	433146	SCREW, 7/16-20 X 4.25 HHC, BLACK	1
25	180128	SCREW, 3/8-16 X 1.75 HHC	1
26	1499	NUT, 3/8-16 REGHXCTRLK	2
27	332179	CAP, PUSH ON, FOR DIA .250 ROD	1



NOTE: ALWAYS USE ORIGINAL EQUIPMENT PARTS.
Use of service/replacement parts other than original equipment parts may void your warranty.

**ALL UNNUMBERED
ITEMS ARE INTERCHANGEABLE
WITH OPPOSITE SIDE**

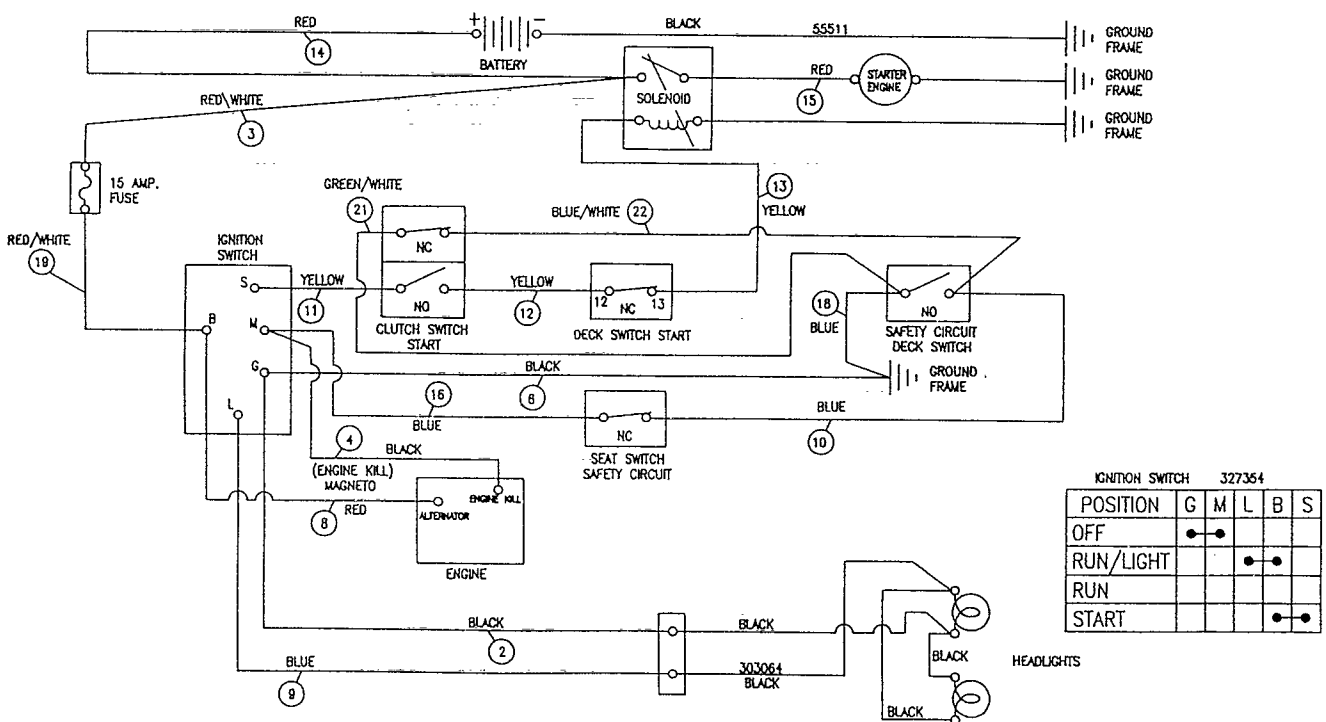
331669 C

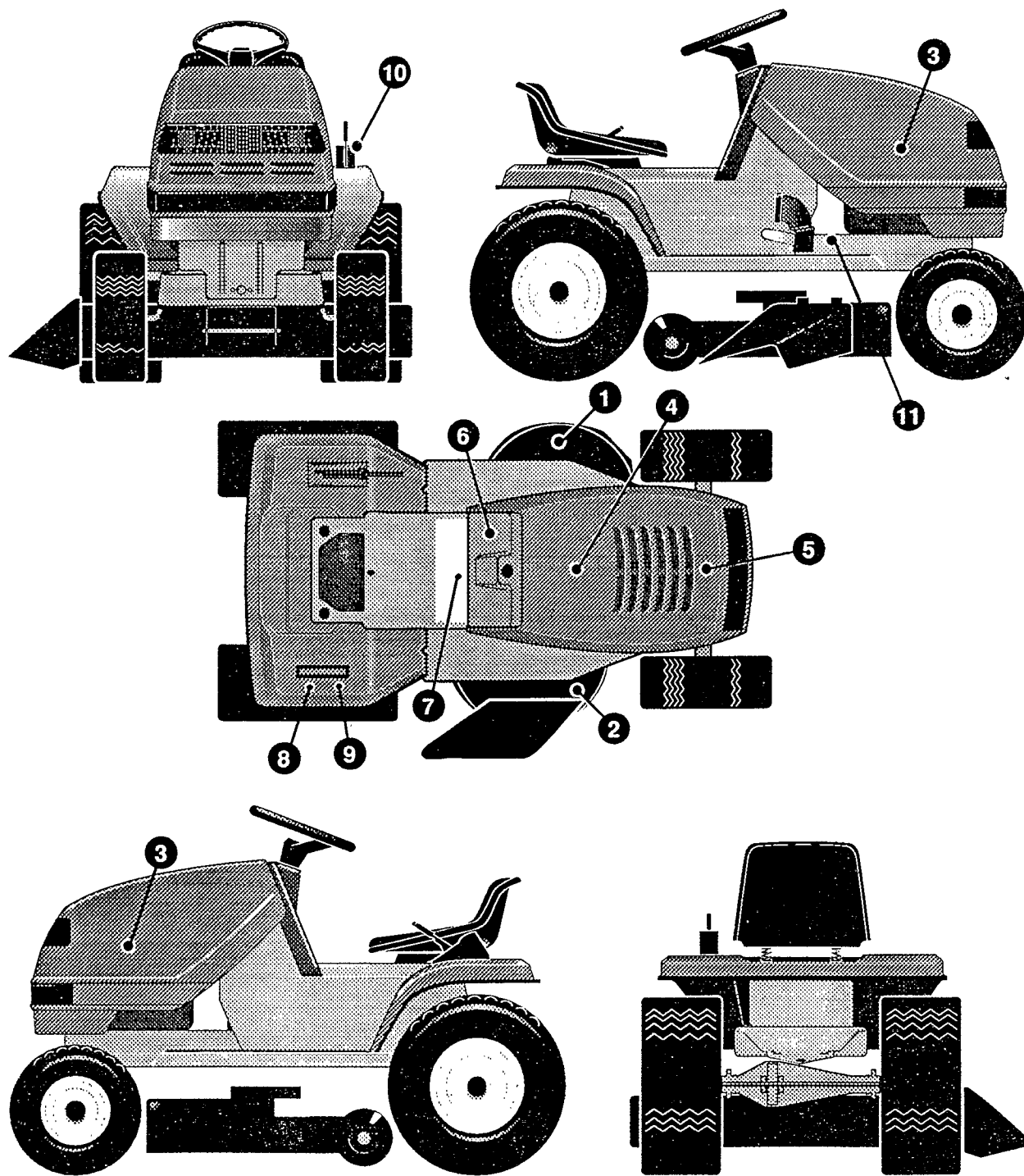
F3554-231

ELECTRICAL ASSEMBLY

KEY#	PART#	DESCRIPTION	QTY
1	331739	WIRE HARNESS, SF, 8-12HP, B&S	1
2	41482	PRESS CLIP, 1.380 LONG .255 ID	2
3	303064	ASSEMBLY, LIGHT WIRE-1/4 TURN	1
4	52572	BULB, HEADLAMP	2
5	57444	TIE, CABLE BLACK NYLON, 5.62 LONG	1
6	41482	PRESS CLIP, 1.380 LONG .255 ID	2
9	327354	SWITCH,IGNITION & LIGHTS DELTA	1
10	327352	NUT, 5/8-BACME DELTA FOR BOOT	1
11	327350	KEY, IGNITION	1
12	57476	SWITCH, SCREW MOUNT, DP, NC, NO BLACK	2
13	300302	SCREW, #10 X .50 HHTAPPST, BLACK	4
14	53716	SOLENOID	1
15	187745	SCREW, 1/4-20 X .75 HXSEMMA	2
16	1084	WASHER, FLAT .281 X 1.00 X .063	1
17	1502	NUT, 1/4-20 REGHEXCTRLK	2
18	271172	NUT, 1/4-20 REGHEXKEPS	1
19	271187	NUT, 5/16-24 HKEPS	2
20	55511	WIRE, GROUND, 12.5"	1
21	271184	NUT, 5/16-18 HEXKEPS	1
22	57547	SWITCH, SEAT	1
23	160505	SCREW, 1/4-20 X .38 PHPNHMA	2
24	92693	BATTERY,12V, MAINTENANCE FREE	1
25	329175	BATTERY BRACKET	1
26	995346	SCREW, 1/4-20 X .50 WAHHTAP	1
27	187745	SCREW, 1/4-20 X .75 HXSEMMA	1
28	1502	NUT, 1/4-20 REGHEXCTRLK	1
29	180020	SCREW, 1/4-20 X .75 HHC	2
30	271172	NUT, 1/4-20 REGHEXKEPS	2
31	302031	FUSE, SPADE TYPE, 32V, 15A	1
32	9149	BRACKET, CABLE RETAINER	1
33	57444	TIE, CABLE BLACK NYLON, 5.62 LONG	1
34	308201	INSULATOR, BATTERY BOOT	1
35	124818	NUT, 1/4-20 REGHXJAM	1

SCHEMATIC DRAWING

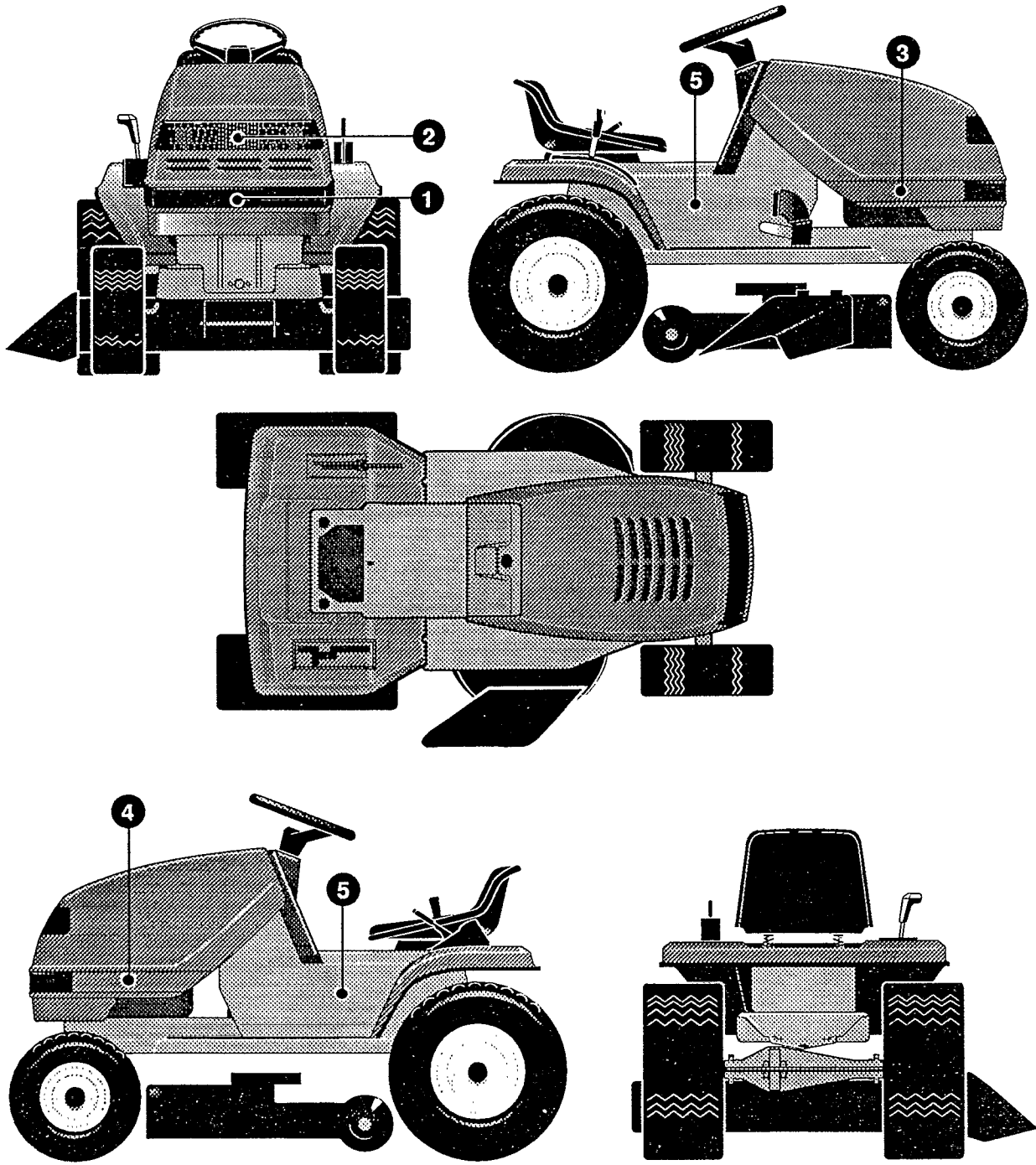




KEY#	PART#	DESCRIPTION	QTY
1	402700	DECAL, CAUTION, DECK, LH	1
2	402701	DECAL, CAUTION, DECK, RH	1
3	305603	PAD, 18 X 6 FOAM HOOD	2
4	307276	PAD, 15 X 7 FOAM HOOD	1
5	307277	PAD, 12 X 4 FOAM HOOD	1
6	326587	DECAL, DASH, EXPORT	1
7	402689	DECAL, CONSOLE, SYMBOLIC, CAUTION	1
8	311394	DECAL, SHIFTER REVERSE/NEUTRAL	1
9	331013	DECAL, SHIFTER POSITION	1
10	402214	DECAL, HEIGHT ADJUST	1
11	402702	DECAL, BRAKE/CLUTCH	1

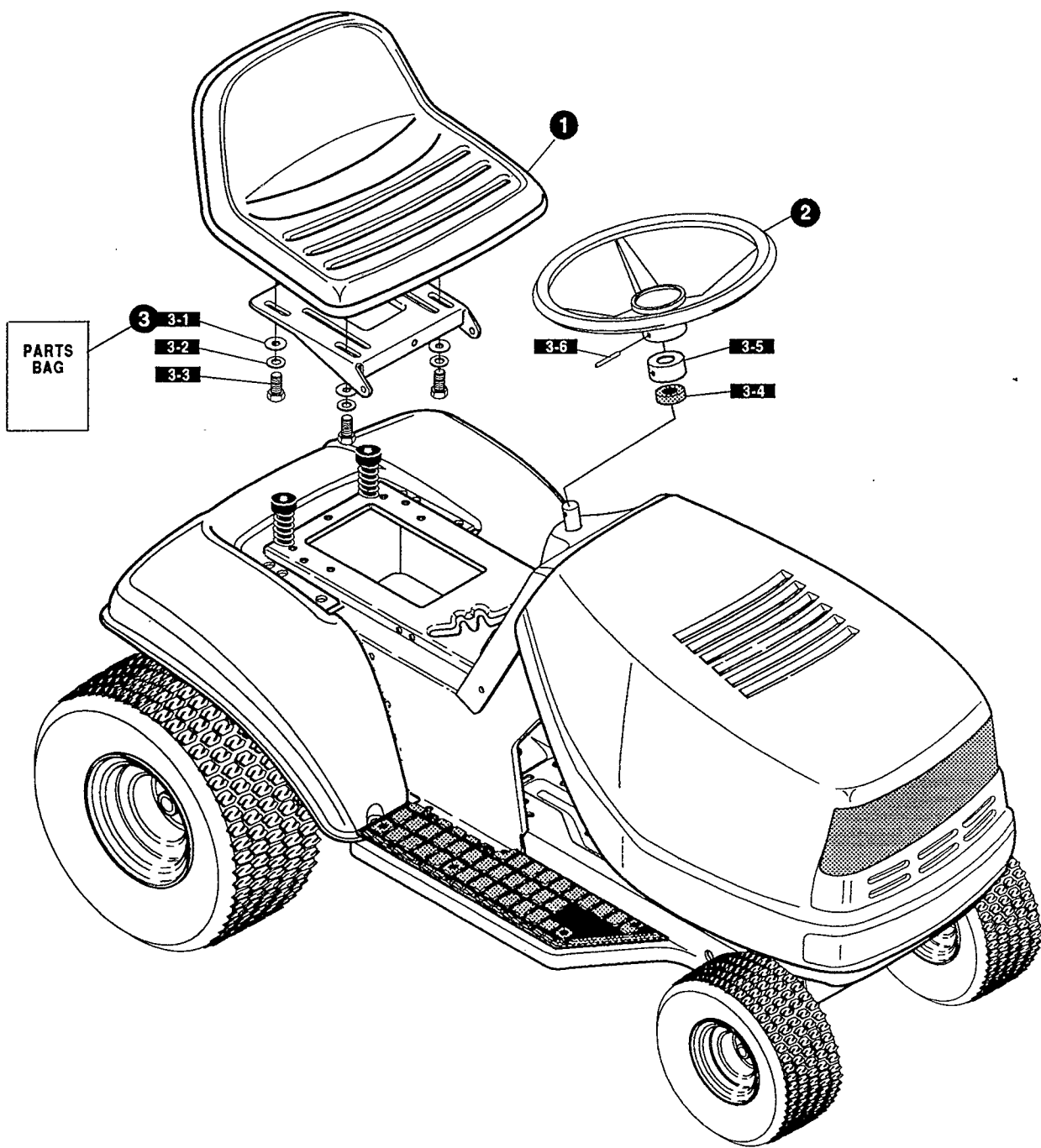
F3554-231

DECAL ASSEMBLY



KEY#	PART#	DESCRIPTION	QTY
1	322699	DECAL, TAPE H13, 8MILL, VINYL	1
2	308492	FOIL, LENS, HOOD REFLECTOR	1
3	402734	DECAL, TEXAS, H-13, RH	1
4	402733	DECAL, TEXAS, H-13, L/H	1
5	300442	NAME PLATE, 12/39, WHITE	2

335401 A



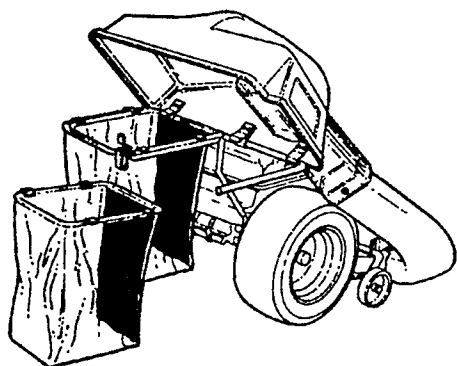
KEY#	PART#	DESCRIPTION	QTY
1	304316	SEAT, MICHIGAN GEN, W/SWITCH HOLE	1
2	330510	STEERING WHEEL	1
3	331424	PARTS BAG, ASSEMBLY SEAT/STEER	1
3-1	120393	WASHER, FLAT .344 X .69 X .065	4
3-2	120638	WASHER, HVSP TLK .328 X .60 X .09	4
3-3	180077	SCREW, 5/16-18 X .75 HHC	4
3-4	331322	COVER, STEERING SHAFT	1
3-5	301413	SPACER, STEERING SHAFT	1
3-6	456378	PIN, SPRING .250 DIA X 2.00 LONG	1

F3554-231

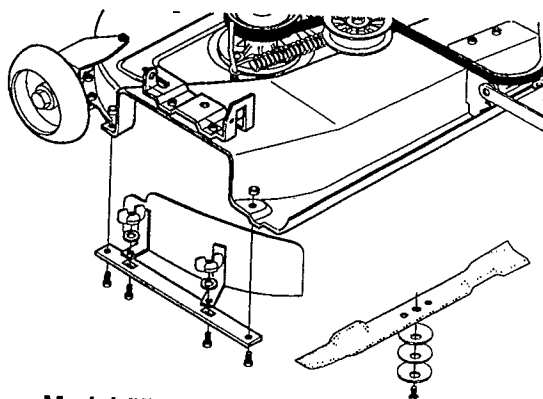
ACCESSORIES

Contact the dealer where your tractor was purchased for the available accessories. If you are unable to contact the dealer, write to the address on the warranty page of your Operator's Manual..

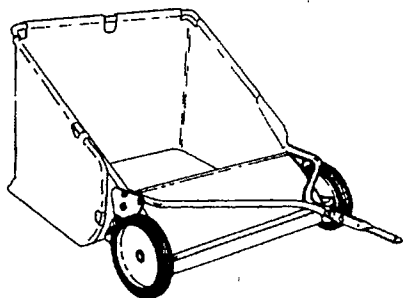
STANDARD LAWN TRACTOR



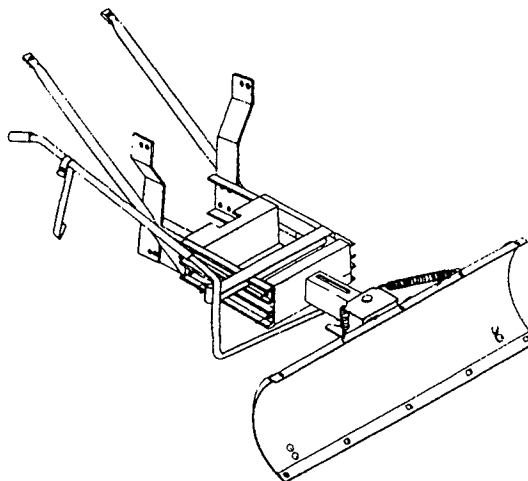
Model # 5708-13
Grass Collector for 39" decks
For heavy duty grass collection
order Model # 5709-10 Air Assist



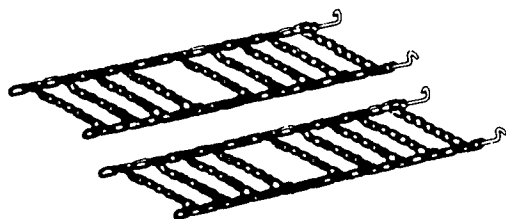
Model #5715-00
Mulching Kit (39" Deck)



Model # 5648-16
Tow behind Lawn Sweeper for
Grass and leaves



Model #5661-09
42" Snowblade - Fits 36", 38", 39", & 45"



Model # 5579-00
Tire Chains - 18" x 8.50" tires

OTHER ACCESSORIES

Model	Description
5672-01	Wheel Weights - Front - 1 pr. w/mtg. hdw. - Fits 15" tires
5673-02	Wheel Weights - Rear - 1 pr. w/mtg. hdw. - Fits 18" & 20" tires
306932	39" High lift blade for bagging or side discharge (requires 2)
326160	39" Mulching blade (requires 2)