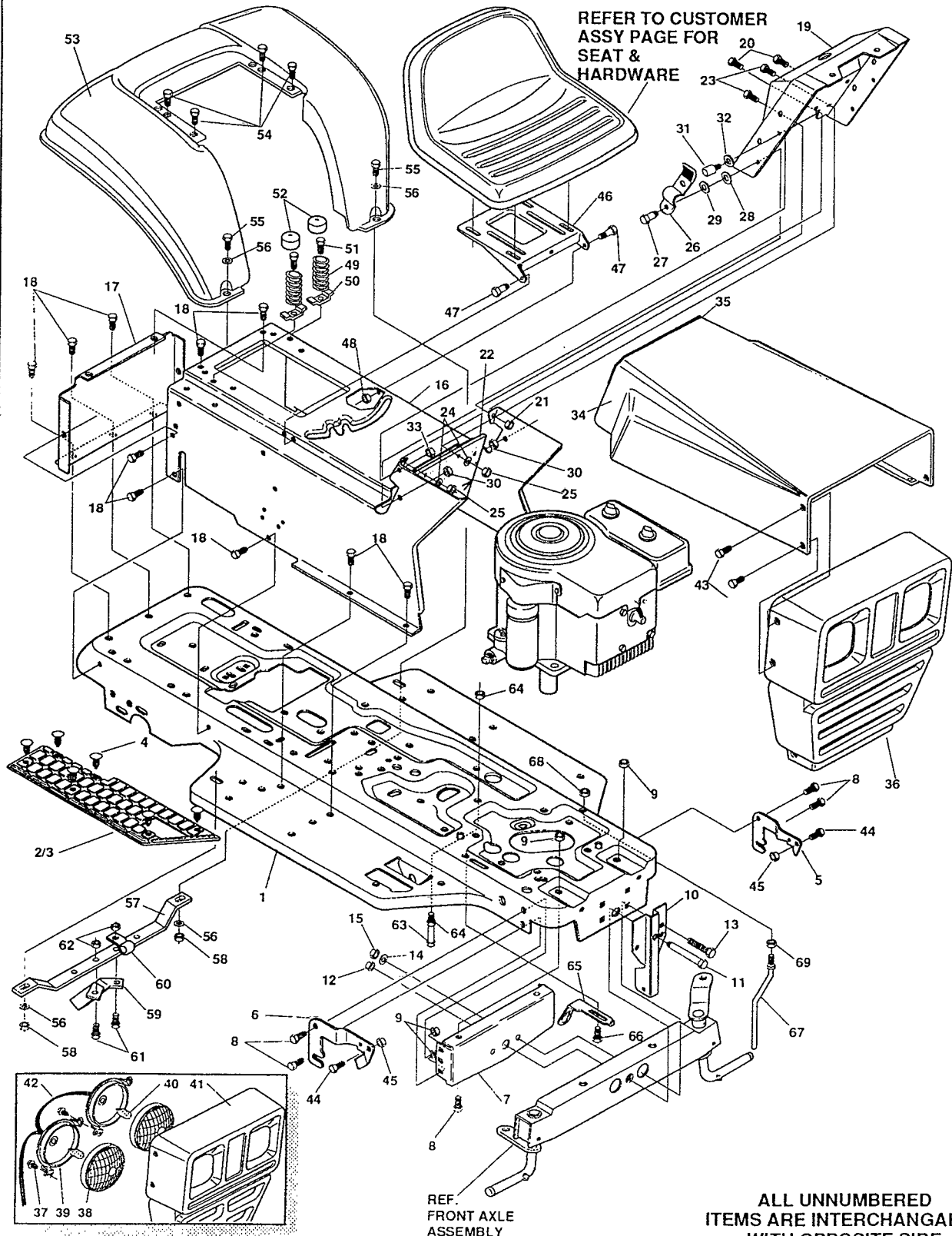


36" LAWN TRACTOR MODEL B3554-600

CHASSIS & HOOD ASSEMBLY

REFER TO CUSTOMER
ASSY PAGE FOR
SEAT &
HARDWARE



REF.
FRONT AXLE
ASSEMBLY

ALL UNNUMBERED
ITEMS ARE INTERCHANGABLE
WITH OPPOSITE SIDE

NOTE: ALWAYS USE ORIGINAL EQUIPMENT PARTS. Use of service/replacement parts other than original equipment parts may void your warranty.

317171A

36" LAWN TRACTOR MODEL B3554-600

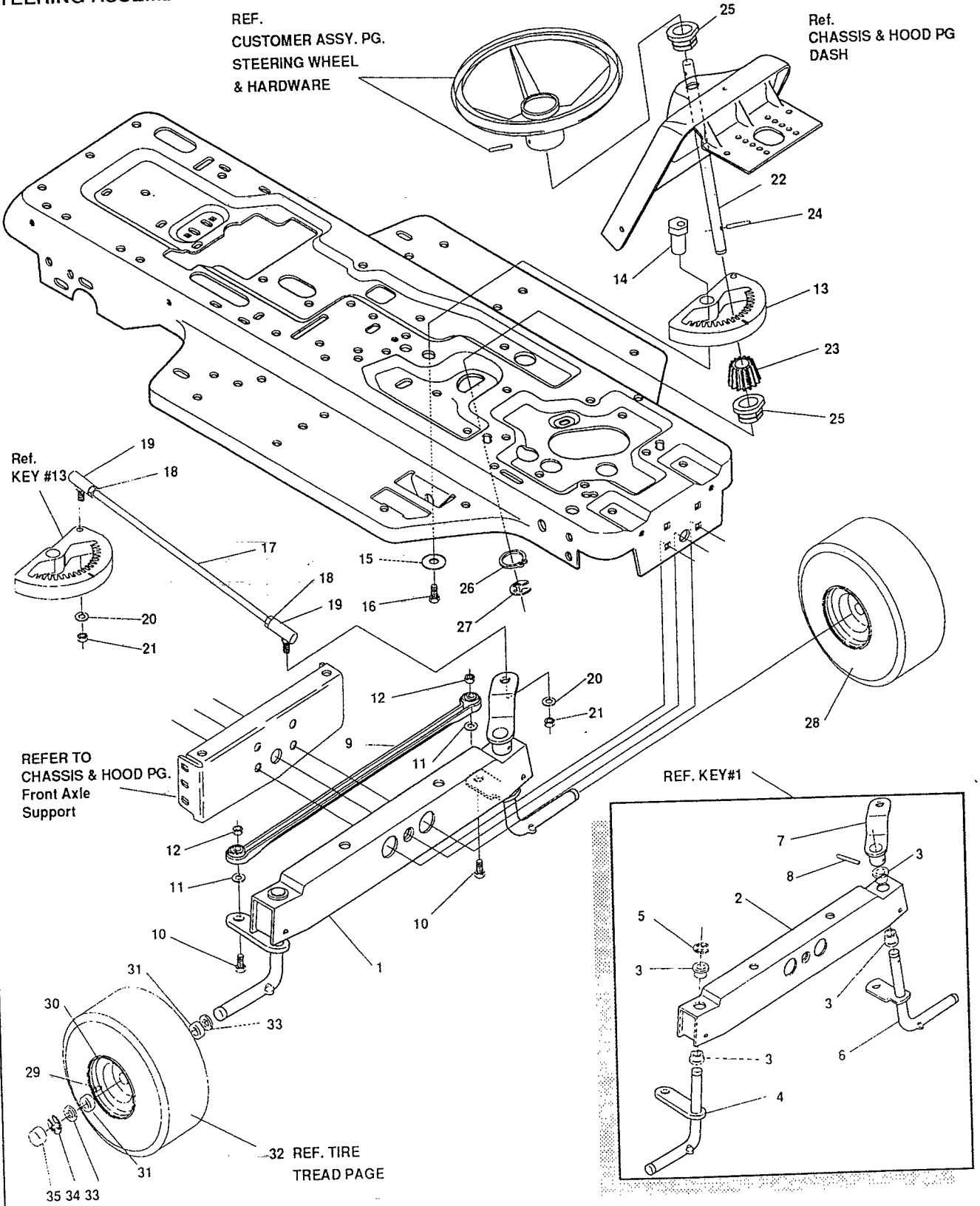
key#	part#	description	qty.
1	315066	FRAME,MAIN SF RIDER	1
2	310003	FOOTPAD,LH SF	1
3	310004	FOOTPAD,RH SF	1
4	309235	FASTENER, RATCHET	12
5	8533	BRACKET GRILLE L.H.	1
6	8535	BRACKET GRILLE R.H.	1
7	313437	BRKT,SUPT FRT AXLE-SF	1
8	56030	SCREW, 5/16-18X.75WDFLLK	6
9	55273	NUT, 5/16-18 HXWDFLLK	6
10	8541	BRACKET, FRONT HANGER	1
11	50720	BOLT, .625X2.875 SPSH 1/2-20	1
12	274654	NUT, 1/2-20 REGHXCTRLK	1
13	122201	SCREW, 3/8-16X2.75 HHC	1
14	2483	WASHER,.39IDX1.25DX.07 BELLVIL	1
15	1499	NUT, 3/8-16 REGHXCTRLK	1
16	310301	CONSOLE	1
17	8521	CONSOLE, REAR COVER	1
18	995346	SCREW, 1/4-20X .50 WAHHTAP	15
19	7814	DASH W/AMM	1
20	995338	SCREW, 1/4-20X .63 HHWATAP	2
21	50352	NUT, 1/4-20 WDFLLK TOPLOCK	2
22	312306	BAFFLE CONSOLE	1
23	300314	SCREW, 1/4-20X .88WAHHTAP	2
24	120392	WASHER, FLAT .281X .63X.065	2
25	1502	NUT, 1/4-20 REGHEXCTRLK	2
26	57159	LATCH, .94WDX.047 ASSY HOOD	2
27	8482	BOLT, .375X .156 HSH 5/16-18	2
28	120394	WASHER, FLAT .406X .81X.065	2
29	120393	WASHER, FLAT .344X .69X.065	2
30	1498	NUT, 5/16-18 REGHEXCTRLK	2
31	53446	PIN, 5/16-18 HOOD LATCH GR2-	2
32	138538	WASHER, REGINTLK.320X.61X.03	2
33	45174	NUT, 5/16-18 HEXWDFLLK WHIZ	2
34	7822	HOOD	1
35	55021	TRIM,STRIP,BLACK	23.750 IN
36	56227	GRILLE ASSY G-7	1
37	50668	SCREW, 10-14X .50 WAHHTAP	4
38	52570	LAMP LENS	2
39	52571	LAMP BEZEL	2
40	52572	BULB, HEADLAMP	2
41	53402	GRILLE	2
42	56189	WIRE ASSY, HEADLAMP	1
43	57215	SCREW, 5/16-9X .75 WAHHTAP	4
44	120233	BOLT, 3/8-16 X 1.00 HHC GRZ	2
45	1499	NUT, 3/8 - 16 REGHEXCTRLK	2
46	304761	PLATE, SEAT	1
47	20507	BOLT, .437X .156 HSH 5/16-18	2
48	1498	NUT, 5/16-18 REGHEXCTRLK	2
49	56220	SPRING,1.43X2.38X.162 COM SEAT	2
50	1341	CLAMP,SPRING	2
51	995346	SCREW, 1/4-20X .50 WAHHTAP	2
52	302099	SPRING COVER SF SEAT SPG	2
53	7219	FENDER	1
54	995346	SCREW, 1/4-20X .50 WAHHTAP	4
55	122017	SCREW, 5/16-18X1.00 HHC	2
56	446363	WASHER, FLAT .375X .88X.082	4
57	43964	SUPPORT, GUIDE	1
58	1498	NUT, 5/16-18 REGHEXCTRLK	2
59	44500	BRACKET, DECK GUIDE	1
60	57569	RETAINER, .31IDX.62X.03 WIRE	1
61	122017	SCREW 5/16 - 18 X 1.00 HHC GR2Z	2
62	1498	NUT, 5/16-18 REGHEXCTRLK	2
63	49930	SCREW, 3/8-16X7.50 HHC	1
64	1499	NUT, 3/8-16 REGHXCTRLK	2
65	312953	BRACKET,SWITCH MOUNT	1
66	995346	SCREW, 1/4-20X .50 WAHHTAP	1
67	50653	GUIDE, BELT	1
68	41529	NUT, 3/8-16 HXCTRLKJAM GRD	1
69	271190	NUT, 3/8-16 HEXKEPS	1
70	314670	OPERATOR'S MANUAL (NOT ILLUSTRATED) DANISH	1
71	318316	PARTS MANUAL (NOT ILLUSTRATED) ENGLISH	1

36" LAWN TRACTOR MODEL B3554-600

STEERING ASSEMBLY

REF.
CUSTOMER ASSY. PG.
STEERING WHEEL
& HARDWARE

Ref.
CHASSIS & HOOD PG
DASH



ALL UNNUMBERED
ITEMS ARE INTERCHANGABLE
WITH OPPOSITE SIDE

NOTE: ALWAYS USE ORIGINAL
EQUIPMENT PARTS. Use of service/replace-
ment parts other than
original equipment parts may void
your warranty.

313464B

Part No. 318316

36" LAWN TRACTOR MODEL B3554-600

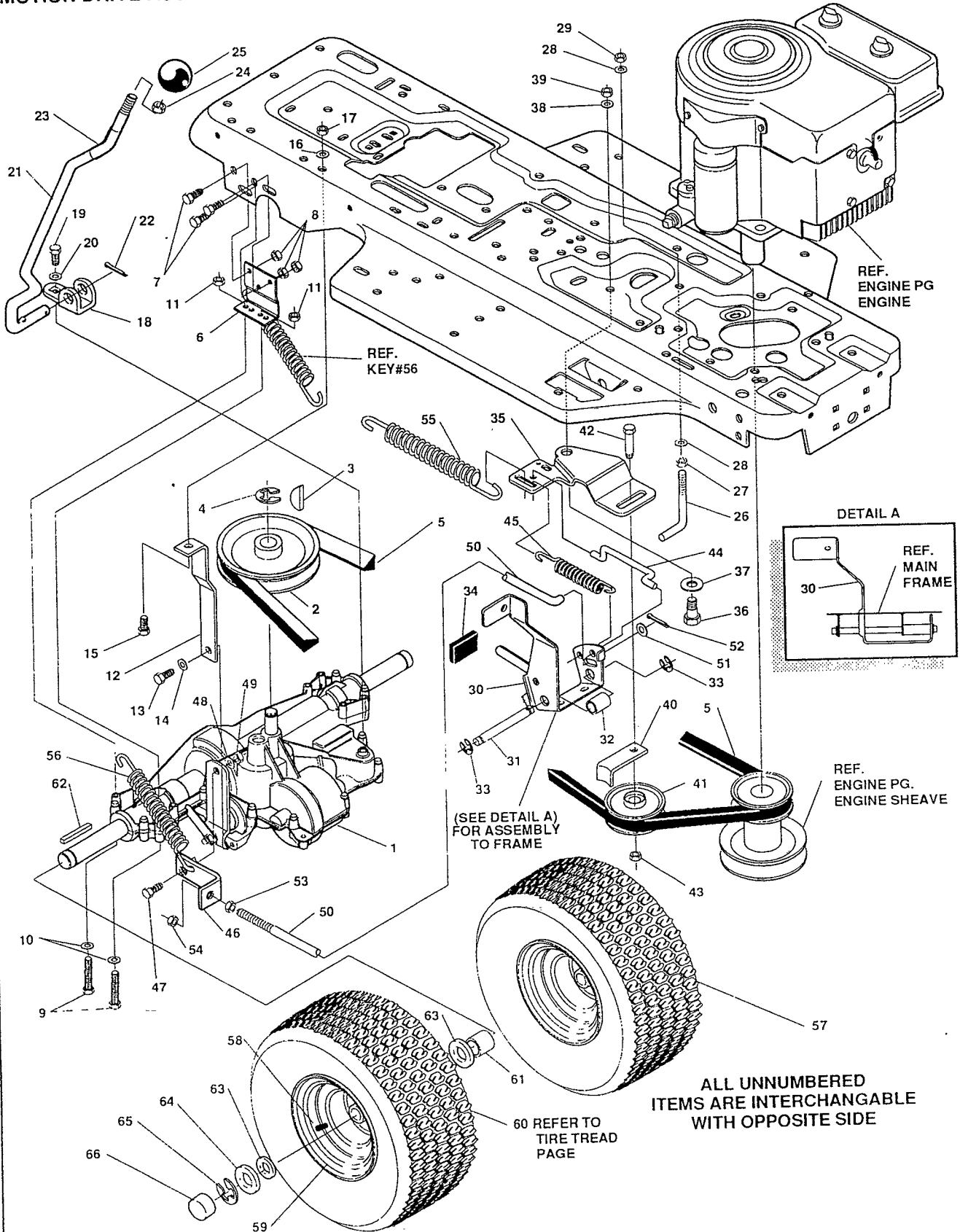
key#	part#	description	qty.
1	*	FRONT AXLE ASSEMBLY SF	1
2	56400	AXLE, FRONT	1
3	50546	BEARING, FLANGE	4
4	302668	SPINDLE, RH	1
5	36625	RING, RETEX	1
6	302667	SPINDLE, LH	1
7	49447	ARM, STEERING LH	1
8	454565	PIN, SPRING	1
9	302691	TIE ROD	1
10	◇ 122145	SCREW, 3/8-16X1.25 HHC	2
11	◇ 120382	WASHER, .393X.68X.10 REGSPTLK	2
12	◇ 1499	NUT, 3/8-16 REGHCTRLK	2
13	304245	SECTOR, GEAR	1
14	44011	BOLT, .750X1.40 SPSH	1
15	2483	WASHER, .391DX1.25ODX.07	1
16	39573	SCREW, 3/8-24X1.00 NYL	1
17	56190	DRAG LINK	1
18	◇ 124925	NUT, 3/8-24 REGHEXJAM	2
19	21275	BALL JOINT	2
20	◇ 120382	WASHER, REGSPTLK	2
21	◇ 120369	NUT, 3/8-24 REGHEX	2
22	44008	STEERING SHAFT	1
23	44009	PINION, STEERING SHAFT	1
24	454565	PIN, SPRING *	1
25	54902	BEARING, 1.370X.50 FLANGE STEERING	2
26	39492	RING, RETEX 1.27X.05	1
27	36625	RING, RETEX .57X.05	1
28	*	ASSEMBLY, TIRE & RIM	2
29	24167	VALVE STEM	1
30	39829	WHEEL W/BEARING	1
31	39979	BEARING, 1.38ODX.753ID FLANGE	2
32		REFER TO TIRE TREAD PAGE	
33	642	WASHER, FLAT .755X1.31X.075	4
34	36625	RING, RETEX .57X.05	2
35	40394	HUB CAP	2

* Order Individual Parts.

◇ Indicates STANDARD HARDWARE ITEMS.

36" LAWN TRACTOR MODEL B3554-600

MOTION DRIVE ASSEMBLY



NOTE: ALWAYS USE ORIGINAL EQUIPMENT PARTS. Use of service/replacement parts other than original equipment parts may void your warranty.

ALL UNNUMBERED ITEMS ARE INTERCHANGABLE WITH OPPOSITE SIDE

60 REFER TO TIRE TREAD PAGE

314773A

Part No. 318316

36" LAWN TRACTOR MODEL B3554-600

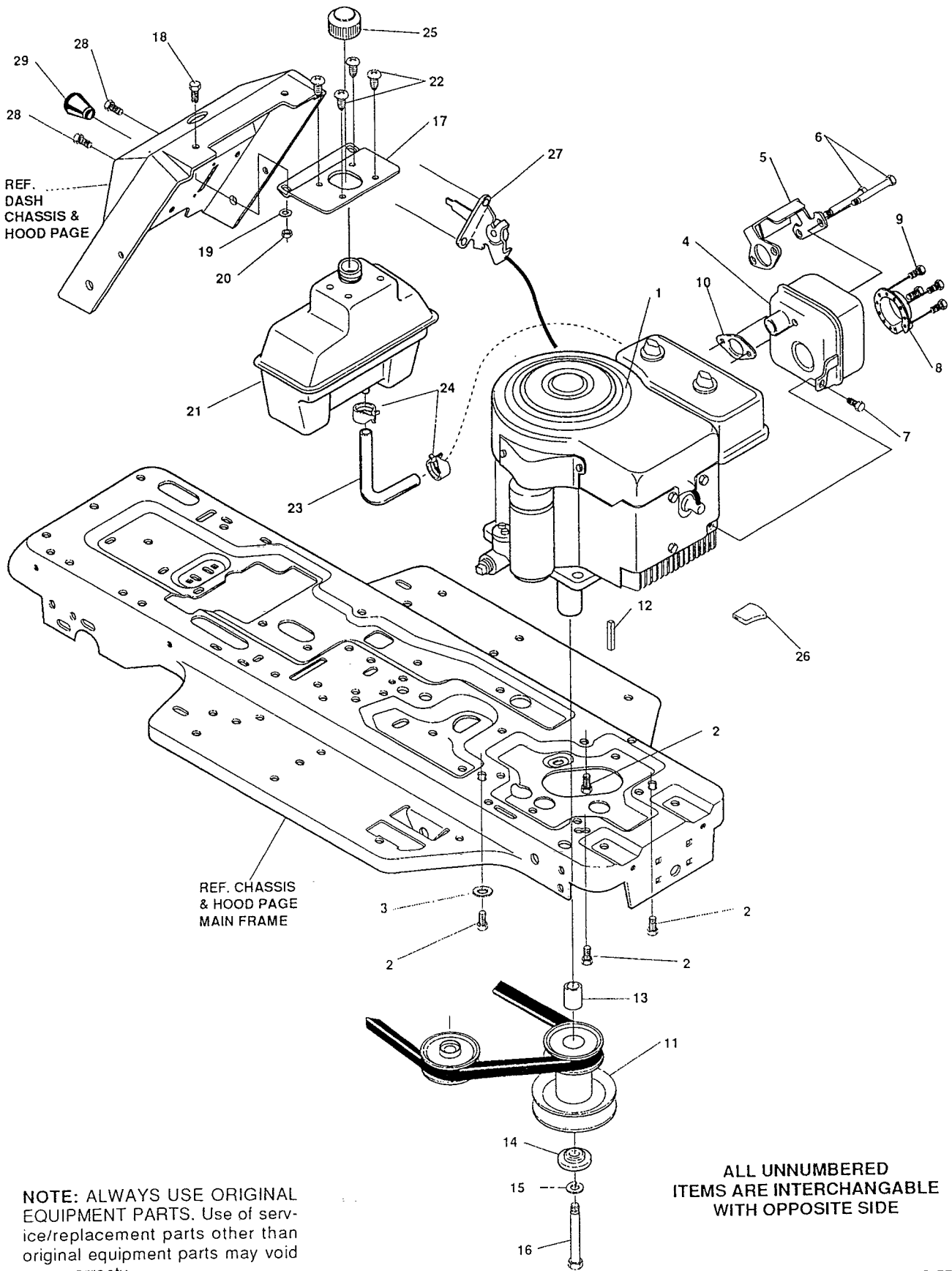
key#	part#	description	qty.
1	TRANSAXLE	FOOTE 4360-5 (CONTACT NEAREST DEALER)	1
2	302745	PULLEY,V 4L 6.60 OD	1
3	3021	KEY, WDRF 606 .750X.187X.312	1
4	22053	RING, RETEX .58X.04TRU5100-62	1
5	54758	BELT, V 4L 82.00 SF DRIVE	1
6	7707	BRACKET, TRANSAXLE BLK	2
7	◇120228	SCREW, 5/16-18X .63 HHC	6
8	◇1498	NUT, 5/16-18 REGHEXCTRLK	6
9	◇180112	SCREW, 5/16-18X2.75 HHC	4
10	◇120393	WASHER, FLAT .344X .69X.065	4
11	◇1498	NUT, 5/16-18 REGHEXCTRLK	4
12	309770	BRKT,STABILIZER	1
13	◇35498	SCREW, 5/16-18X .75 WAHHTAP	1
14	◇120638	WASHER, HVSP TLK .328X.60X.09	1
15	◇122017	SCREW, 5/16-18X1.00 HHC	1
16	◇138485	WASHER, EXLK .320X.61X.03	1
17	◇1498	NUT, 5/16-18 REGHEXCTRLK	1
18	57480	BRKT,SHIFT	1
19	◇56255	SCREW, 1/4-28X .75 NYLHHC	1
20	◇57157	WASHER, .750X.250 SP-TRANSAXLE	1
21	302283	SHIFT LEVER	1
22	137185	PIN, COTTER .125 DIA X1.00LG	1
23	302445	TUBE,CLEAR PLASTIC	1
24	◇120238	NUT, 1/2-13 HEXJAM	1
25	304438	KNOB,SHIFT NOMA 1/2-13	1
26	49896	BELT GUIDE	1
27	◇271184	NUT, 5/16-18 HEXKEPS	1
28	◇120393	WASHER, FLAT .344X .69X.065 Z	2
29	◇1498	NUT, 5/16-18 REGHEXCTRLK	1
30	302603	ASSY,BRAKE PEDAL S.F	1
31	302600	ROD,PIVOT	1
32	302601	SPACER,.53IDX.62DX1.406 SLEEVE	1
33	20864	RING, RET E .39X.04	2
34	48761	PAD,CLUTCH/BRAKE PEDAL	1
35	1306	IDLER ARM BRKT TRACTION	1
36	41890	BOLT, .625X .218 HHSH 5/16-18	1
37	◇4107	WASHER, FLAT .635X1.31X.07	1
38	◇45602	WASHER, FLAT .333X .87X.119	1
39	◇1498	NUT, 5/16-18 REGHEXCTRLK	1
40	39659	RETAINER, STRAP BELT	1
41	35374	PULLEY, IDLER V4L 3.06X .62	1
42	45892	BOLT, 3/8-16X1.50 CARR	1
43	◇1499	NUT, 3/8-16 REGHXCTRLK	1
44	43980	ROD, .268 DIA CLUTCH	1
45	50562	SPRING,3/8ODX1.625X.055	1
46	54723	BRACKET, BRAKE ROD	1
47	20507	BOLT, .437X .156 HHSH 5/16-18	1
48	◇120393	WASHER, FLAT .344X .69X.065	1
49	◇1498	NUT, 5/16-18 REGHEXCTRLK	1
50	310189	BRAKE ROD RIDER	1
51	◇120393	WASHER, FLAT .344X .69X.065	1
52	121222	PIN, COTTER .090/.086X.75LG	1
53	◇271184	NUT, 5/16-18 HEXKEPS	1
54	◇1498	NUT, 5/16-18 REGHEXCTRLK	1
55	49276	SPRING,3/4 ODX6.75X.091	1
56	35410	SPRING .071 X .62 X 4.37	1
57	*	TIRE & RIM, PU 18X9.5X8 TURWHI	2
58	24167	VALVE STEM	1
59	41105	WHEEL&HUB ASSY 9.50X8 WHITE	1
60		REFER TO TIRE TREAD PAGE	
61	57479	SPACER, .75 X 1.25 X 1.32	2
62	39628	KEY, SQUARE .187SQX2.50LG	2
63	◇642	WASHER, FLAT .755X1.31X.075	4
64	◇42815	WASHER, FLAT .755X1.53X.07	2
65	36625	RING, RETEX .57X.05	2
66	40394	CAP, 1.500ID X 7/8LG HUB	2

* Order Individual Parts.

◇ Indicates STANDARD HARDWARE ITEMS.

36" LAWN TRACTOR MODEL B3554-600

ENGINE & CONTROL ASSEMBLY



NOTE: ALWAYS USE ORIGINAL EQUIPMENT PARTS. Use of service/replacement parts other than original equipment parts may void your warranty.

ALL UNNUMBERED ITEMS ARE INTERCHANGABLE WITH OPPOSITE SIDE

317756A

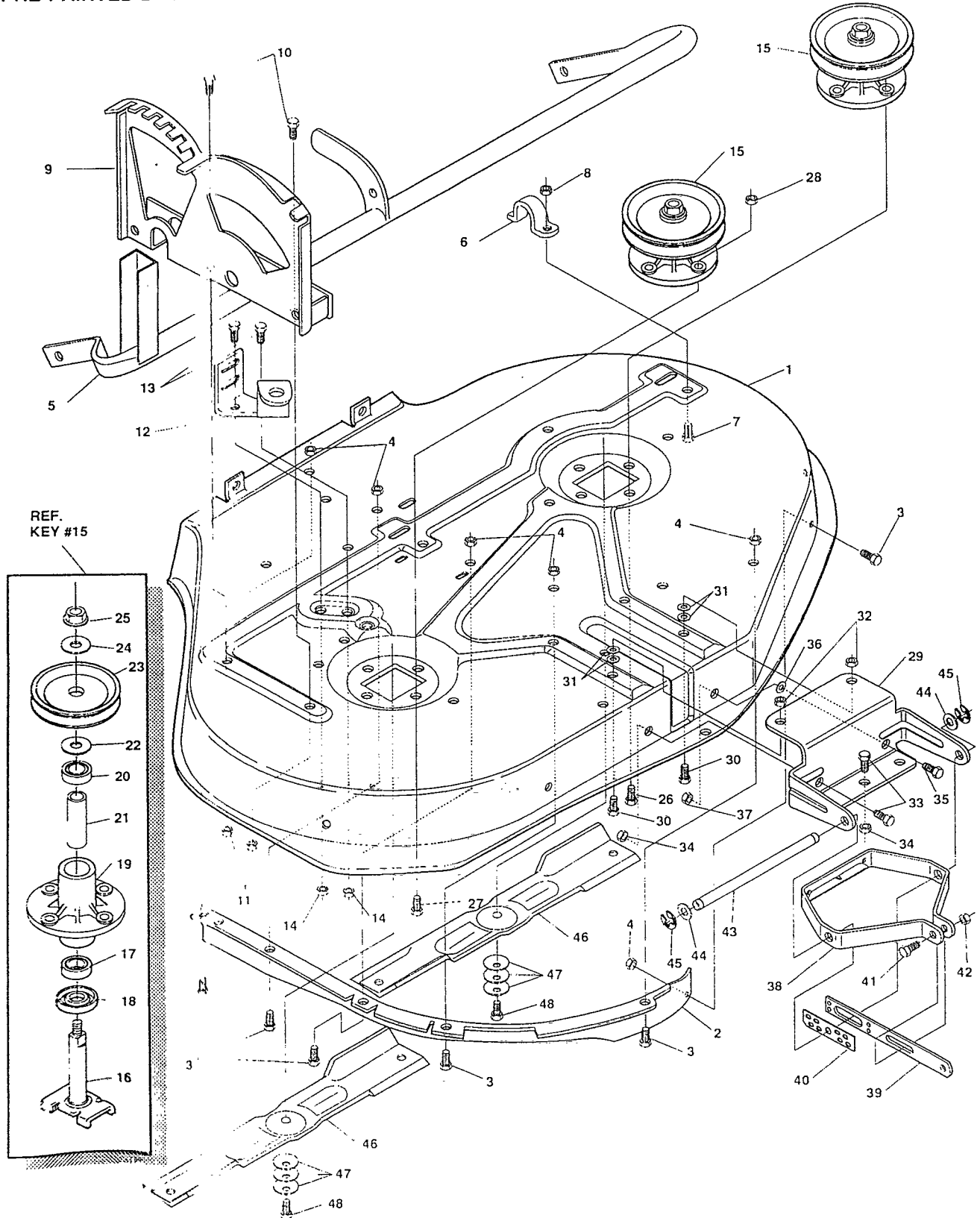
36" LAWN TRACTOR MODEL B3554-600

key#	part#	description	qty.
1	ENGINE	11 HP B&S (SEE ENGINE MANUAL)	1
2	50947	◇ SCREW, 3/8-16X1.25 WAHHTAP	4
3	138489	◇ WASHER, EXLK .384X.69X.04	1
4	305406	MUFFLER B&S SQ.LO-TONE 1	1
5	305409	SHIELD,MUFFLER B&S SQ.	1
6	305407	BOLT, .437X4.340 HSH5/16-18	2
7	305410	◇ SCREW, 1/4-20X .50 HHCSEMS	1
8	56472	DEFLECTOR SIDE OUT (1
9	35287	◇ SCREW, #8-32X .38 HHWATAP	4
10	46708	GASKET, MUFFLER	1
11	315317	PULLEY,ENG 3.0D X 4.0LG X 5.0D	1
12	303151	KEY, SQUARE .249SQX4.50LG	1
13	304246	SPACER,1.01X1.484 ENGIN PULLEY	1
14	56431	◇ WASHER,.980IDX1.38ODX.437PILOT	1
15	120383	◇ WASHER, REGSPTLK.459X.78X.12	1
16	433146	◇ SCREW, 7/16-20X4.25 HHC BLK	1
17	307674	BRACKET FUEL TANK SUPT	1
18	120854	◇ SCREW, 1/4-20X .63 HHC	2
19	120393	◇ WASHER, FLAT .344X .69X.065	2
20	1502	◇ NUT, 1/4-20 REGHEXCTRLK	2
21	314989	TANK, FUEL 1 GAL	1
22	49050	◇ SCREW, 1/4-10X .75PHPNTAP	4
23	47452	GAS LINE .25ID BULK LENGTH	12IN
24	48672	CLAMP, FUEL LINE	2
25	46704	GAS CAP 1-1/2-7 THD	1
26	302967	ENGINE SPEED REDUCER	1
27	50117	THROTTLE CONTROL	1
28	35287	◇ SCREW, #8-32X .38 HHWATAP	2
29	50607	◇ KNOB,ROUND THROTTLE	1

◇ Indicates STANDARD HARDWARE ITEMS.

36" LAWN TRACTOR MODEL B3554-600

PRE-PAINTED DECK



NOTE: ALWAYS USE ORIGINAL EQUIPMENT PARTS. Use of service or replacement parts other than original equipment parts may void your warranty.

ALL UNNUMBERED ITEMS ARE INTERCHANGABLE WITH OPPOSITE SIDE

316030A

36" LAWN TRACTOR MODEL B3554-600

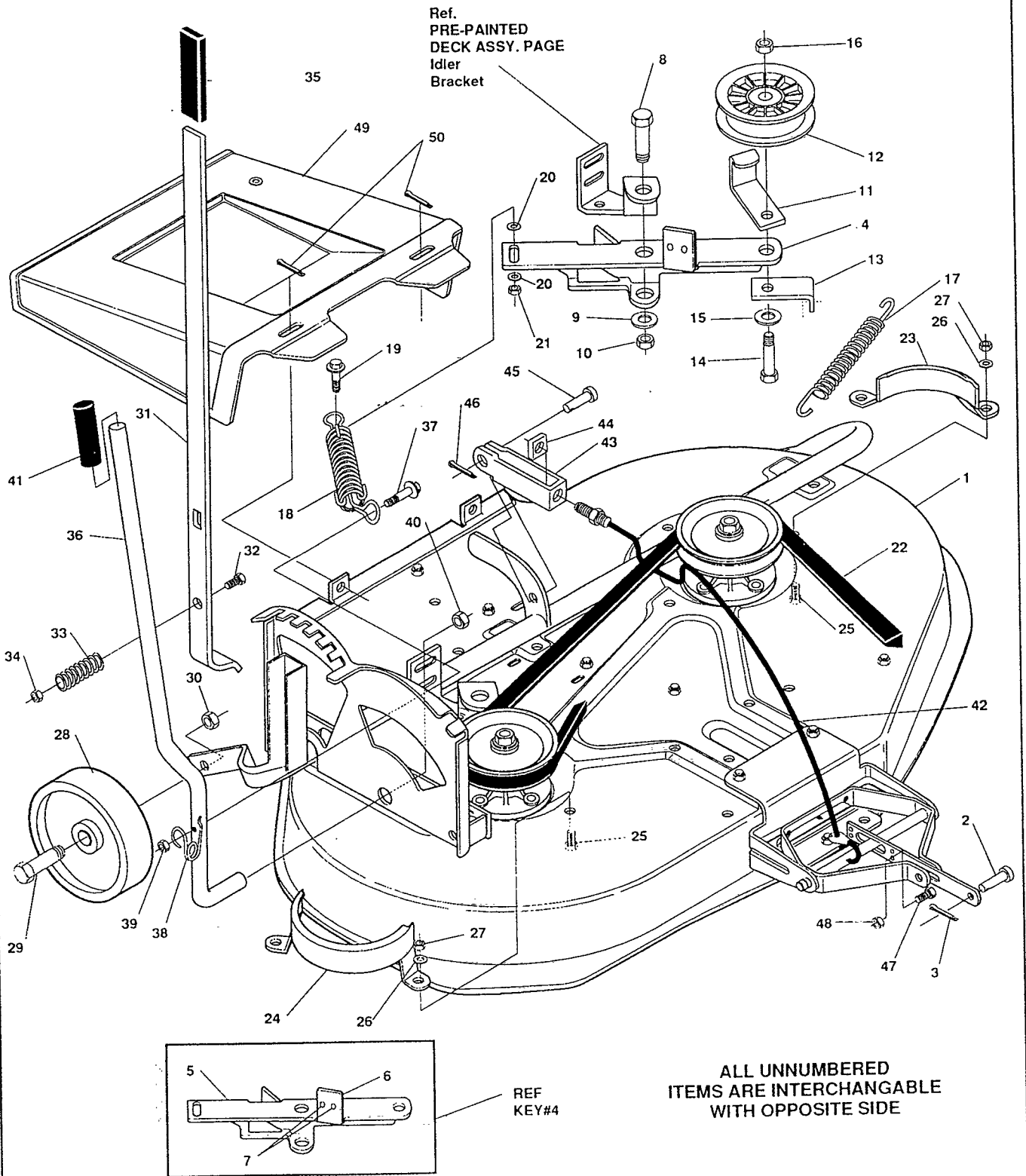
key#	part#	description	qty.
1	310246	DECK, 36WH RD MOWER	1
2	55655	BAFFLE, 36RD LH DECK	1
3	◇120228	SCREW, 5/16-18X .63 HHC	6
4	◇1498	NUT, 5/16-18 REGHEXCTRLK	6
5	52613	ASSY TORQUE TUBE	1
6	51985	SUPPORT,PIVOT TUBE --	1
7	◇120834	SCREW, 5/16-18X .50 HHC	1
8	◇1498	NUT, 5/16-18 REGHEXCTRLK	1
9	53247	QUADRANT	1
10	◇120834	SCREW, 5/16-18X .50 HHC	2
11	◇1498	NUT, 5/16-18 REGHEXCTRLK	2
12	57514	BRACKET, IDLER	1
13	◇120228	SCREW, 5/16-18X .63 HHC	2
14	◇1498	NUT, 5/16-18 REGHEXCTRLK	2
15	56424	QUILL ASSY, 36/39/40/43	2
16	56425	SHAFT/SADDLE 36"	1
17	49562	BRNG, BALL	1
18	50616	DUST SHIELD	1
19	55547	QUILL CASTING	1
20	49562	BRNG, BALL	1
21	50818	SPACER,3.797LGX.669IDX.88	1
22	51449	SPACER,.438LGX.932ODX.672	1
23	56390 313 898	PULLEY,26/36" QUILL <i>Revised</i>	1
24	56365-	SPECIAL WASHER	1
25	◇1282	NUT, 7/16-20 WDFLLK	1
26	◇50634 <i>e</i>	SCREW, 5/16-18X .88 WAHTAP~	7
27	◇300345	SCREW, 5/16-18X1.38 WATAP	1
28	◇1498	NUT, 5/16-18 REGHEXCTRLK	1
29	48676	LIFT PLATE	1
30	◇122007	SCREW, 5/16-18X .75 HHC	2
31	996416	WASHER, FLAT .391X1.00X.125	4
32	◇1498	NUT, 5/16-18 REGHEXCTRLK	2
33	◇120228	SCREW, 5/16-18X .63 HHC	2
34	◇1498	NUT, 5/16-18 REGHEXCTRLK	2
35	◇122017	SCREW, 5/16-18X1.00 HHC	1
36	996416	WASHER, FLAT .391X1.00X.125	1
37	◇1498	NUT, 5/16-18 REGHEXCTRLK	1
38	50613	BRACKET,PIVOT	1
39	49059	BAR, HITCH	1
40	49058 -	BRACKET, LOCK -	1
41	◇120918	SCREW, 3/8-16X1.50 HHC	1
42	◇1499	NUT, 3/8-16 REGHXCTRLK	1
43	55724	PIN, PIVOT ROD .50DX7.55	1
44	996425	WASHER, FLAT .515X .88X.064	2
45	20864	RING, RET E .39X.04TRU5133-50	2
46	56821 8128	BLADE, 36" STD-LIFT 18 306931	2
47	2483	WASHER,.39IDX1.25DX.07 BELLVIL	6
48	◇39573	SCREW, 3/8-24X1.00 NYLHHC -	2

◇ Indicates STANDARD HARDWARE ITEMS.

36" LAWN TRACTOR MODEL B3554-600

FINAL DECK ASSEMBLY

SEE DWG #316030 FOR PARTS ASSY
OF PAINTED DECK



NOTE: ALWAYS USE ORIGINAL EQUIPMENT PARTS.
Use of service/replacement parts other than original equip-
ment parts may void your warranty.

316031B

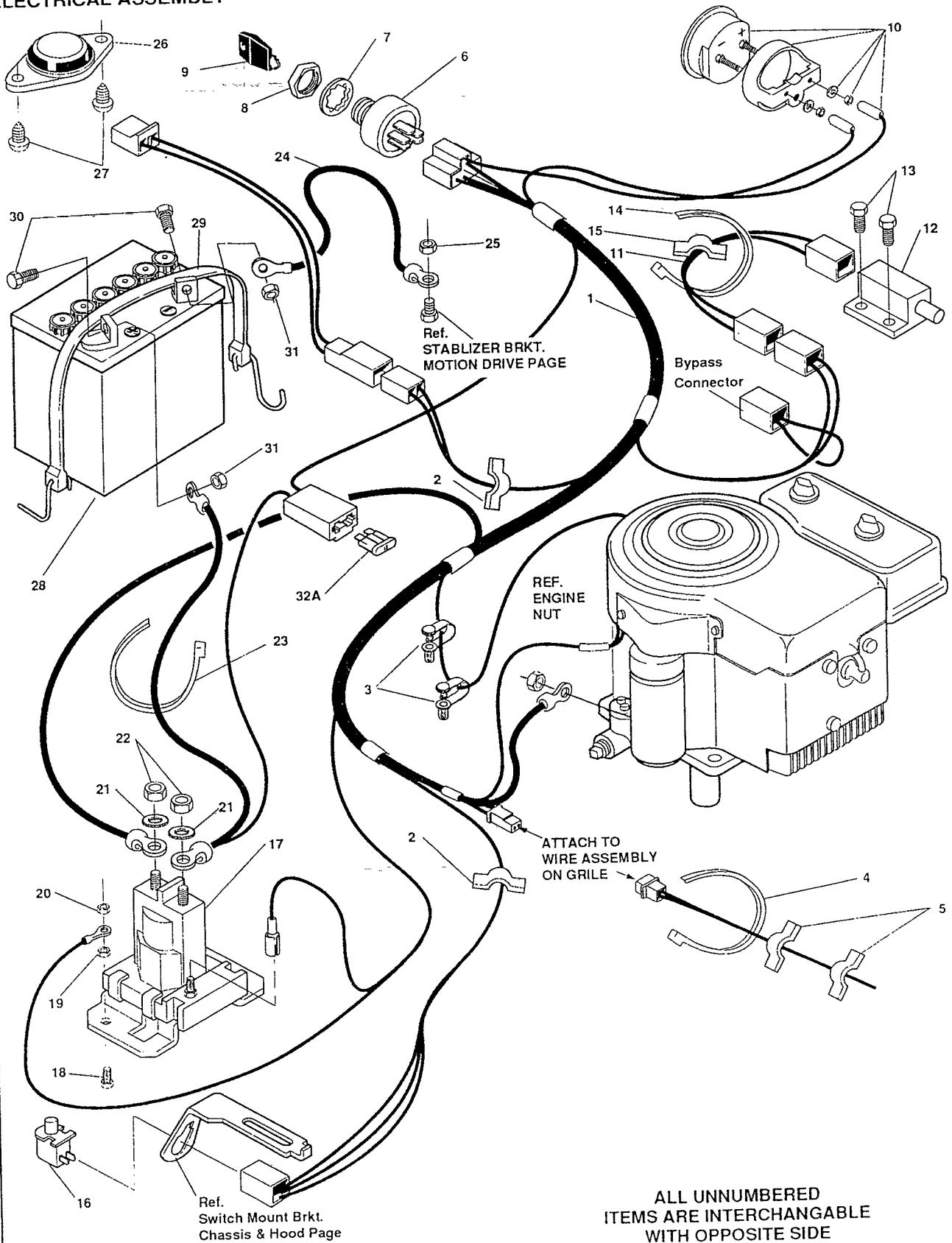
36" LAWN TRACTOR MODEL B3554-600

key#	part#	description	qty.
1	316246	PAINTED DECK NOTE: SEE DWG #316030 FOR PARTS ASSEMBLY	
2	47816	PIN, .495X1.750 CLEVIS-SHORT	1
3	56180	PIN, HAIR .091 DIA X 1.62LG	1
4	311427	IDLER, ASSY PIVOT ARM	1
5	311426	PIVOT ARM IDLER BLK	1
6	306973	BRAKE PAD - HARD - 232AF	1
7	41601	RIVET, OVSET .187DIA X .50LG	2
8	47516	BOLT, .500X1.950 HSSH 3/8-16	1
9	◇ 996416	WASHER, FLAT .391X1.00X.125	1
10	◇ 1499	NUT, 3/8-16 REGHXCTRLK	1
11	7354	RETAINER BELT	1
12	303028	PULLEY, IDLER BFF 3.13 DIA	1
13	306893	BRACKET, L-SHAPED	1
14	◇ 122168	SCREW, 3/8-16X1.75 HHC	1
15	◇ 446363	WASHER, FLAT .375X .88X.082	1
16	◇ 1499	NUT, 3/8-16 REGHXCTRLK	1
17	35410	SPRING .071 X .62 X 4.37	1
18	52636	SPRING	1
19	46563	BOLT, .375X .250 SHWA 1/4-20	1
20	◇ 120392	WASHER, FLAT .281X .63X.065	2
21	◇ 1502	NUT, 1/4-20 REGHEXCTRLK	1
22	308701	BELT, V 5L 80.00 DECK 36RD EXP	1
23	307549	COVER QUILL LH	1
24	307548	COVER, QUILL RH	1
25	◇ 120228	SCREW, 5/16-18X1.00 HHC	4
26	◇ 120393	WASHER, FLAT .344X .69X.065	4
27	◇ 1498	NUT, 5/16-18 REGHEXCTRLK	4
28	52584	WHEEL, SD 6.00ODX1.38WD	2
29	23763	BOLT, .500X1.390 HSSH 3/8-16	2
30	◇ 1499	NUT, 3/8-16 REGHXCTRLK	2
31	307050	LEVER HEIGHT ADJ	1
32	◇ 120696	SCREW, 5/16-18X2.25 HHC	1
33	53246	SPRING	1
34	◇ 1498	NUT, 5/16-18 REGHEXCTRLK	1
35	20250	GRIP, HAND .75X4.87	1
36	305383	LEVER, BLADE ENGAGE 32RD & 36RD	1
37	1289	BOLT, .375X .250 SHWA 1/4-20	1
38	46561	SPRING, TORSION 36RD, 32RD	1
39	◇ 1502	NUT, 1/4-20 REGHEXCTRLK	1
40	53697	NUT, 1/2 PUSHON	1
41	46478	GRIP, HAND .50ID 3.37LG BLK	1
42	300341	CABLE, LIFT 21.70 F-5 20X8-8	1
43	9405	CLEVIS, LIFT CABLE	1
44	◇ 120372	NUT, 1/4-20 REGSQ	1
45	39522	PIN CLEVIS .312 X .812	1
46	56180	PIN, HAIR .091 DIA X 1.62LG	1
47	◇ 120228	SCREW, 5/16-18X .63 HHC	1
48	◇ 1498	NUT, 5/16-18 REGHEXCTRLK	1
49	50993	CHUTE EXTENSION PLASTIC 36"RD	1
50	120123	PIN, COTTER .125 DIA X 1.25LG	2

◇ Indicates STANDARD HARDWARE ITEMS

36" LAWN TRACTOR MODEL B3554-600

ELECTRICAL ASSEMBLY



NOTE: ALWAYS USE ORIGINAL EQUIPMENT PARTS.
 Use of service/replacement parts other than original equipment parts may void your warranty.

**ALL UNNUMBERED
 ITEMS ARE INTERCHANGABLE
 WITH OPPOSITE SIDE**

317174A

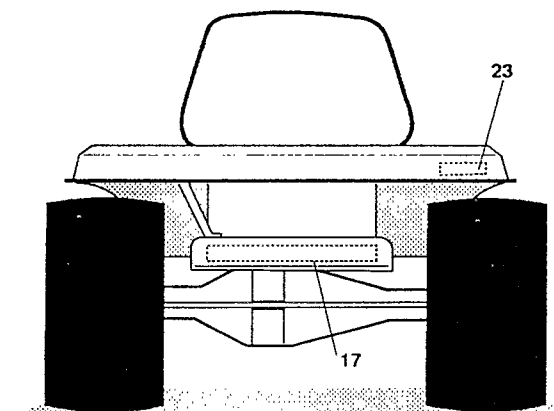
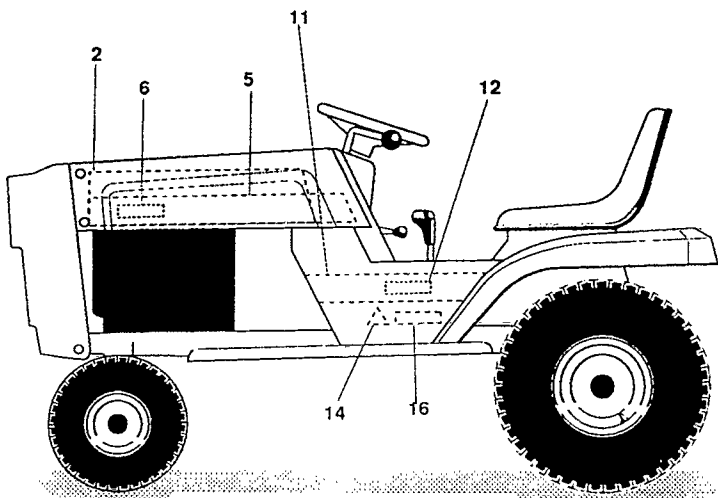
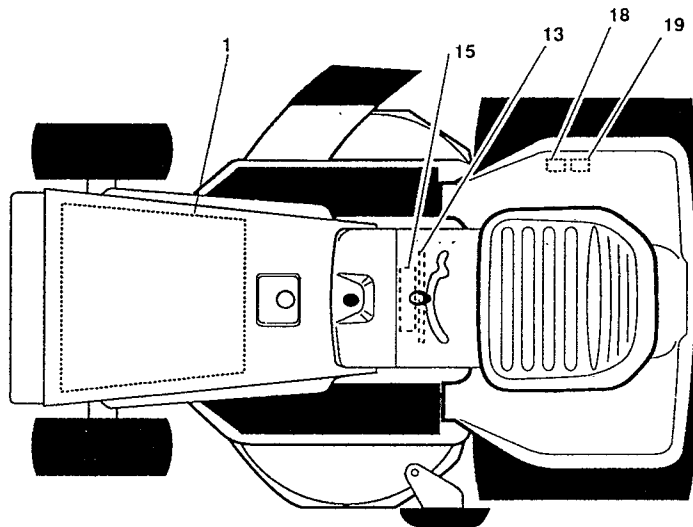
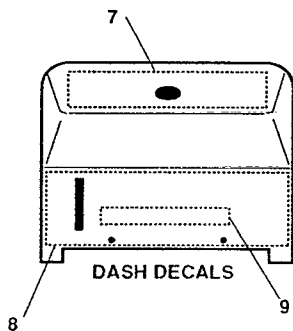
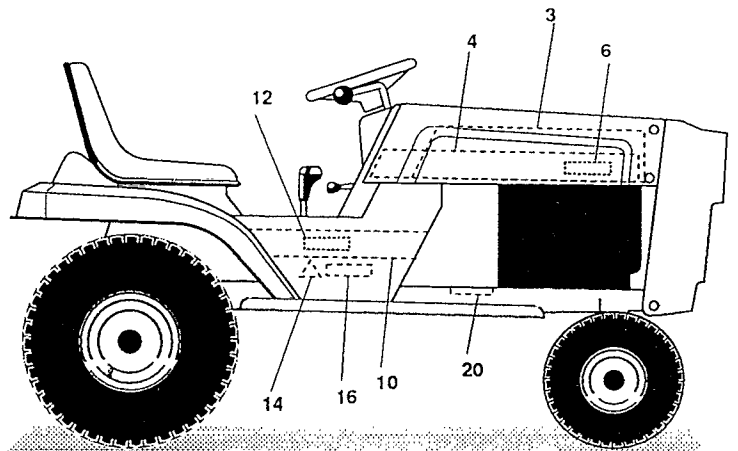
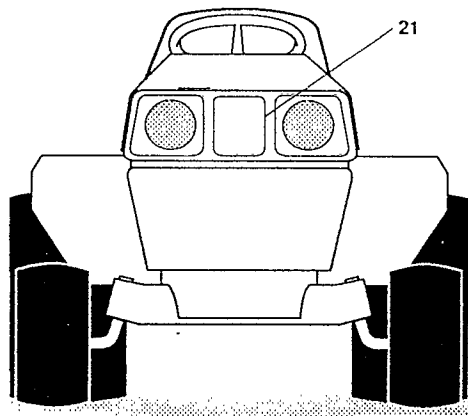
36" LAWN TRACTOR MODEL B3554-600

key#	part#	description	qty.
1	57643	WIRE HARNESS	1
2	41482	CLIP, PRESS WIRE	2
3	54888	RETAINER, WIRE	2
4	57444	TIE, CABLE	1
5	41482	CLIP, PRESS WIRE	2
6	300687	SWITCH, IGNITION & LIGHTS	1
7	138557	WASHER, REGINTLK	1
8	48140	NUT, 5/8-32 HXHD IGN SWIT	1
9	300626	KEY, IGNITION SWITCH	1
10	39463	AMMETER ASSY	1
11	57588	HARNESS, DECK WIRE	1
12	57476	SWITCH PTO	1
13	57220	SCREW, #12 X .50 PHPNHTAP	2
14	57444	TIE, CABLE	1
15	41482	CLIP, 1.38OLG .255 TD PRESS WIRE	1
16	300220	SWITCH, SNAPMNT NO .055/.116	1
17	53716	SOLENOID, NEW CLUM	1
18	◇ 187745	SCREW, 1/4-20 X .75 HXSEMMA	2
19	◇ 1502	NUT, 1/4-20 REGHEXCTRLK	2
20	◇ 271172	NUT, 1/4-20 HEXKEPS	1
21	◇ 138485	WASHER, EXLK .320 X .61 X .03	2
22	◇ 120368	NUT, 5/16-24 REGHEX	2
23	57444	TIE, CABLE	1
24	55511	WIRE, GROUND	1
25	◇ 271184	NUT, 5/16 - 18 HEXKEPS	1
26	57547 57964	SWITCH, SEAT	1
27	◇ 160505	SCREW, 1/4-20 PNPNHM	2
28	57486 52986	BATTERY, 12V 5 PLATE	1
29	309862	STRAP, RUBBER	1
30	◇ 120854	SCREW, 1/4-20 X .63 HHC	2
31	◇ 271172	NUT, 1/4-20 H KEPS	2
32A	* 302031	FUSE, 15 AMP SHADE TYPE	1
32B	* 49211	FUSE, 15 AMP CYLINDRICAL TYPE	1

**Clyrindrcal or Spade type fuses are included with the wire harness.

36" LAWN TRACTOR MODEL B3554-600

DECALS



NOTE: ALWAYS USE ORIGINAL EQUIPMENT PARTS.
Use of service/replacement parts other than original equipment parts may void your warranty.

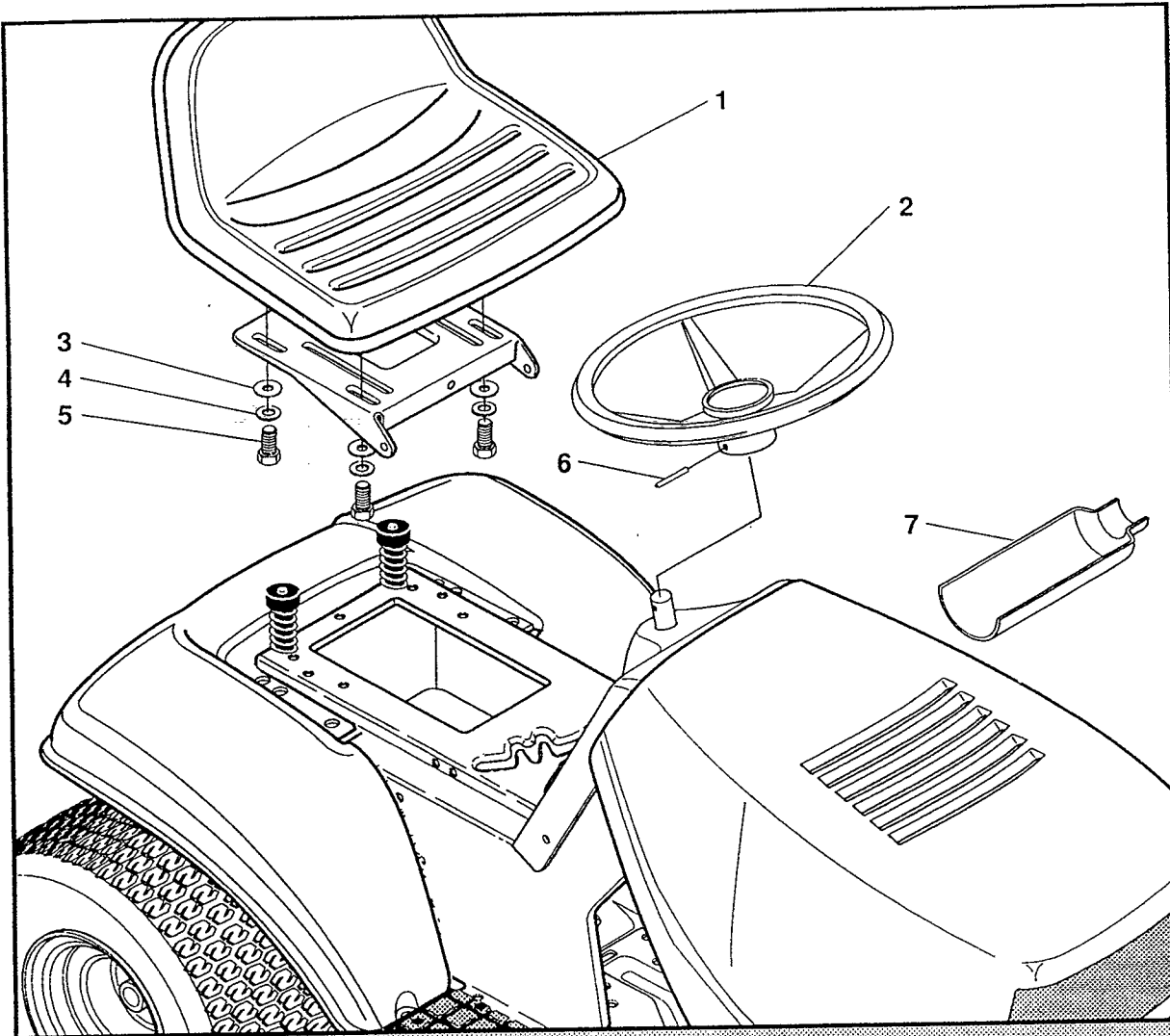
**ALL UNNUMBERED
ITEMS ARE INTERCHANGABLE
WITH OPPOSITE SIDE**

317250A

36" LAWN TRACTOR MODEL B3554-600

key#	part#	description	qty.
1	55832	PAD, FOAM TOP HOOD	1
2	55833	PAD, FOAM HOOD SIDE LH	1
3	55834	PAD, FOAM HOOD SIDE RH	1
4	70684	DECAL, HOOD STRIP RH	1
5	70685	DECAL, HOOD STRIP LH	1
6	301041	NAMEPLATE, WESTERN WHITE	1
7	69638	DECAL, DASH UPPER SF W/ANM	1
8	307022	DECAL, DASH LWR SF PL BLK	1
9	308692	DECAL, INSTRUCTION	1
10	70682	DECAL, RIDER CONSOLE SF STRIP RH	1
11	70683	DECAL, RIDER CONSOLE SF STRIP LH	1
12	300558	NAMEPLATE, 11/36 WHITE	2
13	301104	DECAL, CONSOLE TOP SHIFT 5-SP	1
14	305770	DECAL, CAUTION TRIANGLE EUROPE	1
15	307376	DECAL, INSTRUCTION DANISH	1
16	307377	DECAL, WARNING DANISH	2
17	68542	DECAL, CAUTION HAND FOOT	1
18	68900	DECAL, BLADE ENGAGE EUROPE	1
19	68901	DECAL, BLADE HEIGHT ADJ. EUROPE	1
20	68903	DECAL, BRAKE/CLUTCH EUROPE	1
21	70686	DECAL, G-8 GRILLE COVER	1
22		REFERENCE ONLY	1
23	307540	NAMEPLATE WESTERN SMALL WHITE	1

CUSTOMER ASSEMBLY



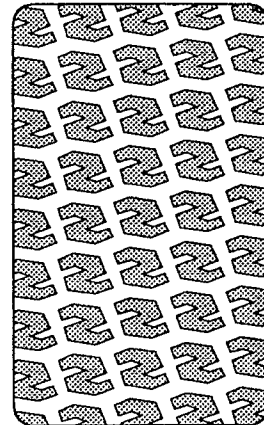
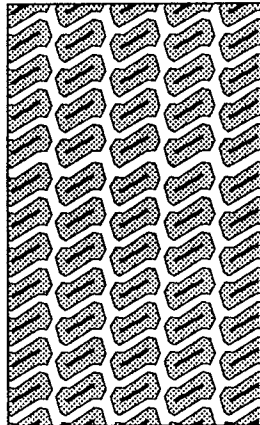
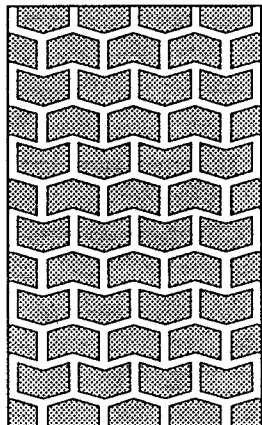
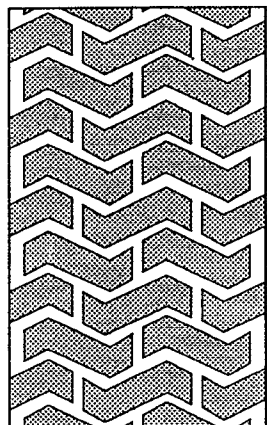
CUSTOMER ASSEMBLY VIEW

315108 PARTS BAG ASSY QTY1

key#	part#	decription	qty
1	57452	SEAT MV350	1
2	301251	STEERING WHEEL	1
3	120393	WASHER, FLAT .344X.69X.065	4
4	120638	WASHER, HVSPLTLK .328X.60X.109	4
5	122007	SCREW, 5/16-18X.75 HHC	4
6	456378	ROLL PIN .250DIA X2.0LG	1
7	54873	OIL TROUGH	1

315125A

TREAD PATTERNS



TIRE SIZE	"A"	"B"	"C"	"D"
11 X 4.00 - 5	42295			
13 X 5.00 - 6	41060			
15 X 6.00 - 6	301140	316702	39830	313952
16 X 6.50 - 8		41081		314539
18 X 6.50 - 8				
18 X 9.50 - 8		316701		313950
20 X 8.00 - 8	314584			
20 X 10.00 - 8	58276			313565
20 X 10.00 - 10		55893		
23 X 9.50 - 12	314370			
23 X 9.50 - 12		53655		