

Rød - - Dynamark

REPAIR PARTS MANUAL

36" - 11 H.P. RIDING MOWER

MODEL 3611-42

WARRANTY

ONE YEAR LIMITED WARRANTY

For one (1) year from date of purchase by the first consumer for residential use (thirty (30) days commercial use), Western International Incorporated warrants that it will replace free of charge, including labor, any original part of any Western International Incorporated product found to be defective by any authorized Service Dealer or the factory, except the battery which is warranted for ninety (90) days from date of purchase.

This warranty does not cover engine, transmission, transaxle or differential (these items are covered by their manufacturer's own warranty). This warranty does not cover parts that have failed due to normal wear or parts that have failed subject to misuse or abuse. Transportation of the unit or part to and from an authorized Service Dealer or the factory is the responsibility of the owner.

A step by step explanation as to what procedure should be followed for this Warranty is:

1. If a part becomes defective, contact the store where the unit was purchased for the name and address of the authorized Service Dealer nearest to you.
2. If you cannot locate an authorized Service Dealer, write Service Department of Western International Incorporated for the name and address of the authorized Service Dealer in your area or call the Service Department at 1-515-265-3461.
3. Return the defective product, along with proof of purchase to such authorized Service Dealer for replacement of any defective part where covered by this warranty.

There is no other express warranty. Implied warranties, including those of merchantability and fitness for a particular purpose are limited to one (1) year from date of purchase. Liability for incidental or consequential damages are excluded.

Some states do not allow limitations on how long an implied warranty lasts, so the above limitation may not apply to you. Some states do not allow the exclusion of incidental or consequential damages, so the above exclusion may not apply to you. This warranty gives you specific legal rights, and you may have other rights which vary from state to state.

Western International Incorporated

P.O. Box 377

Des Moines, Iowa 50302

UNIT PARTS AND SERVICE

This manual contains instructions for safety, assembly and maintenance. Read this manual carefully and completely so that you will know proper assembly, use and care of your unit. Also fill in and mail the registration card packed with the unit. For service other than covered in this manual, contact an authorized service dealer. A nationwide parts and service organization has been established to provide locally available parts and service. A list of authorized parts distributors has been included in this manual. When ordering repair parts, always give the following information: 1. The Part Name; 2. The Part Number; 3. The Quantity desired; 4. The Full (eight digit) Model Number of the unit. The model number will be found on a plate attached to the unit.



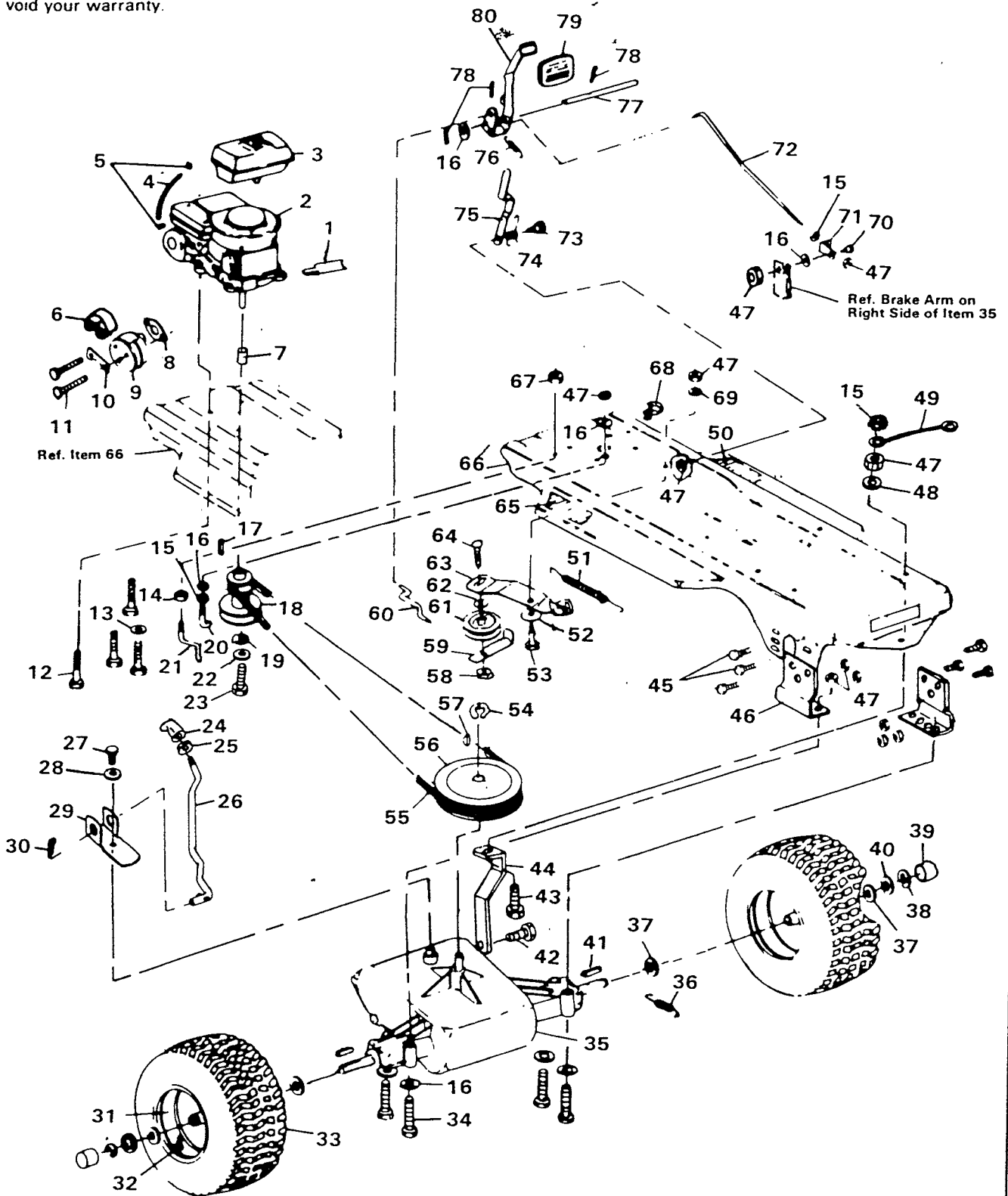
Look for this symbol. It means - ATTENTION! BECOME ALERT! A HAZARD TO OPERATOR, BYSTANDERS, PROPERTY OR EQUIPMENT MAY EXIST.

WESTERN INTERNATIONAL INCORPORATED
P.O. BOX 377
DES MOINES, IOWA 50302

36" RIDING MOWER MODEL 3611-42

NOTE: ALWAYS USE ORIGINAL EQUIPMENT PARTS Use of service/replacement parts other than original equipment parts may void your warranty.

ALL UNNUMBERED ITEMS ARE INTERCHANGEABLE WITH OPPOSITE SIDE



36" RIDING MOWER MODEL 3611-42

ALWAYS GIVE THE FOLLOWING INFORMATION WHEN ORDERING REPAIR PARTS:

1. The PART NUMBER; 2. The PART NAME; 3. QUANTITY DESIRED; 4. The MODEL NUMBER (As shown on Model Plate).
SEND PART ORDERS AS PER INSTRUCTIONS ON THE FRONT PAGE.

YOUR UNIT IS RIGHT HAND (RH) OR LEFT HAND(LH) AS YOUR STAND BEHIND IT.

DO NOT USE KEY NUMBERS WHEN ORDERING REPAIR PARTS, ALWAYS USE PART NUMBERS.

All replacement parts will be supplied in current production colors or in a neutral color.

A handling fee is applicable to small parts orders.

Key No.	Part No.	Description	Key No.	Part No.	Description
1	54873	Trough, Oil Drain	42	35498	Screw, Hex Wa Tap, 5/16-18 x 3/4 In.
2	Engine	~See Footnote Below	43	122017	*Screw, Hex Hd, 5/16-18 x 1 In.
3	48812	Gas Tank	44	54713	Bracket, Stabilizer
4	42258	Gas Line	45	120228	*Screw, Hex Hd, 5/16-18 x 5/8 In.
5	41008	Clip, Gas Line	46	53768	Bracket, Axle
6	54767	Heat Shield, Muffler	47	9413447	Locknut, Hex 5/16-18 Thd.
7	56430	Spacer	48	138485	Washer, Ext. Lock, 5/16 In.
8		Gasket, Muffler (Engine Part)	49	55511	Ground Wire
9	54766	Muffler	50	54618	Foot Pad, R.H.
10		Engine Part	51	49276	Spimg, Main Drive
11	173063	*Screw, Hex Hd, 5/16-18 x 3-1/2 In.	52	4107	Washer, 5/8 In.
12	50947	Screw, Hex Wa Tap, 3/8-16 x 1-1/4 In.	53	41890	Shoulder Bolt
13	138489	Washer, Star	54	22053	Retaining Ring
14	271190	Nut, Hex, Keps, 3/8-16 Thd.	55	54758	V Belt
15	271184	Nut, Hex, Keps, 5/16-18 Thd.	56	55520	Pulley, Transaxle
16	120393	*Flatwasher, 11/32 In.	57	3021	Key, Woodruff, No. 606
17	56432	Key, Engine Pulley	58	9413534	Locknut, Hex, 3/8-16 Thd.
18	56433	Pulley, Engine	59	39659	Belt Retainer
19	56431	Washer, Pilot	60	43980	Rod, Clutch
20	49896	Belt Guide, Transm, Drive Belt	61	35374	Pulley, Idler
21	50653	Belt Guide, Blade Drive	62	274517	*Flatwasher, 13/32 In.
22	120383	*Lockwasher, Split, 7/16 In.	63	53762	Idler Arm
23	181682	Screw, Hex Hd, 7/16-20 x 4 In.	64	45892	Carriage Bolt, 3/8-16 x 1-1/2 In.
24	58284	Knob, Gear Shift	65	54955	Foot Pad, L.H.
25	120238	Jam Nut, 1/2-13 Thd.	66	56570	Main Frame
26	55526	Shift Lever	67	41529	Locknut, 3/8-16 Thd.
27	56255	Screw, Nylock, 1/4-28 x 3/4 In.	68	54888	Retainer, Wire
28	57157	Washer	69	45602	Flatwasher, 21/64 In.
29	56256	Shift Bracket	70	20507	Shoulder Bolt
30	137185	*Cotterpin, 1/8 x 1 In.	71	54723	Bracket, Brake Rod
31	41105	Wheel	72	54715	Rod, Brake
32	24167	Valve Stem	73	40974	Shoulder Bolt, Parking Brake
33	41106	Tire	74	43968	Spring, Parking Brake
34	180112	*Screw, Hex hd, 5/16-18 x 2-3/4 In.	75	50980	Arm, Parking Brake
35	Transaxle	^Peerless 3 speed, Model 900	76	50562	Spring, Clutch Pedal
36	35410	Spring, Brake Return	77	43956	Shaft, Brake-Clutch Pedal
37	642	Flatwasher, 3/4 In.	78	121222	*Pin, Cotter, 3/32 x 3/4 In.
38	36625	"E" Ring	79	48761	Rubber Pad, Brake Pedal
39	40394	Hub Cap	80	55722	Brake Pedal Assembly
40	42815	Flatwasher, 3/4 In.	81	301649	Repair Parts Manual (Not Illustrated)
41	39628	Key, 3/16 x 3/16 x 2-1/2 In.	82	63019	Operator's Manual (Not Illustrated)

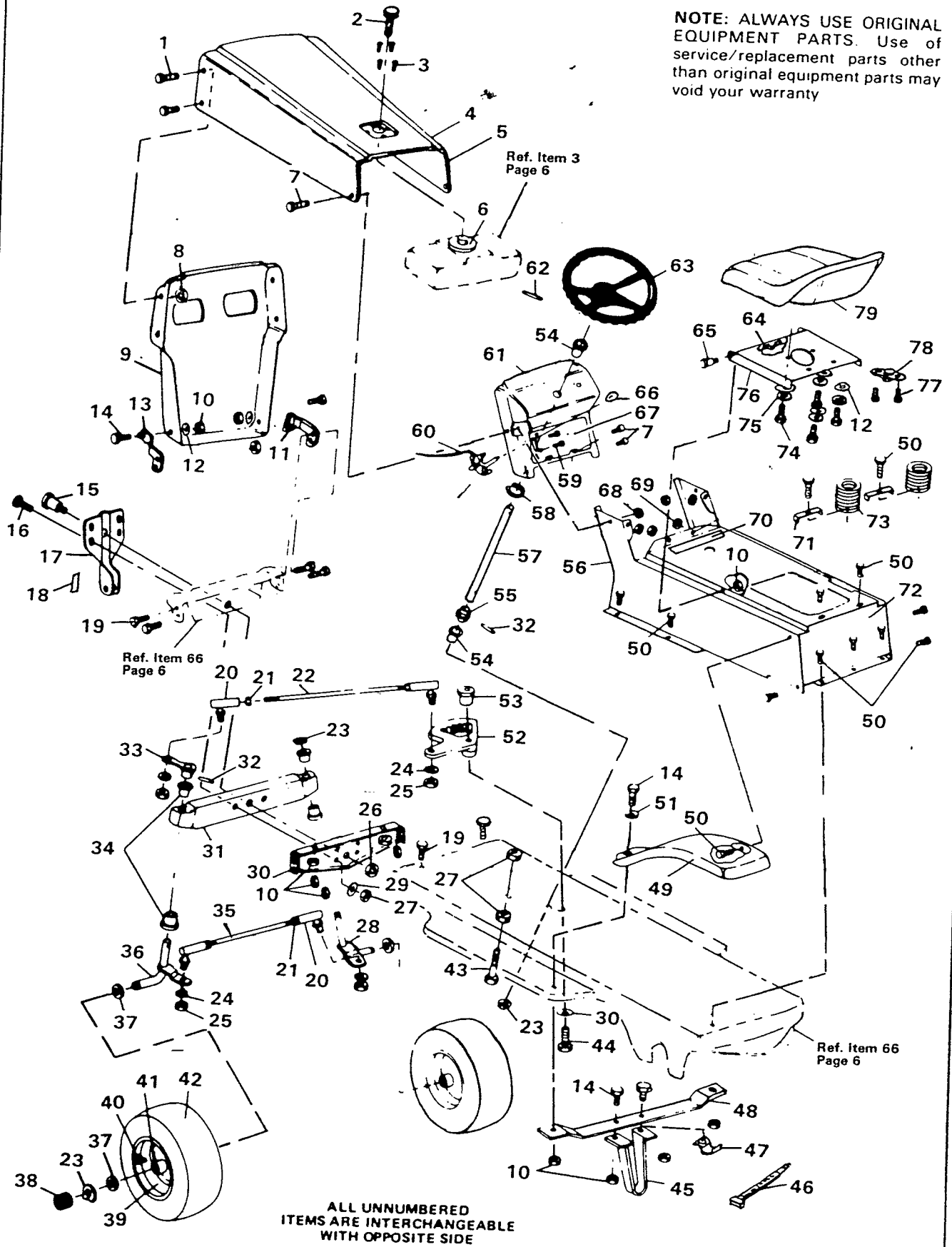
(*) Standard Hardware Items - May Be Purchased Locally.

(^) Contact Tecumseh/Peerless authorized service dealer for parts and warranty.

(~) Contact Engine Manufacturer's authorized service dealer (See Engine Manual) for parts and warranty.

36" RIDING MOWER MODEL 3611-42

NOTE: ALWAYS USE ORIGINAL EQUIPMENT PARTS. Use of service/replacement parts other than original equipment parts may void your warranty



Ref. Item 66
Page 6

Ref. Item 66
Page 6

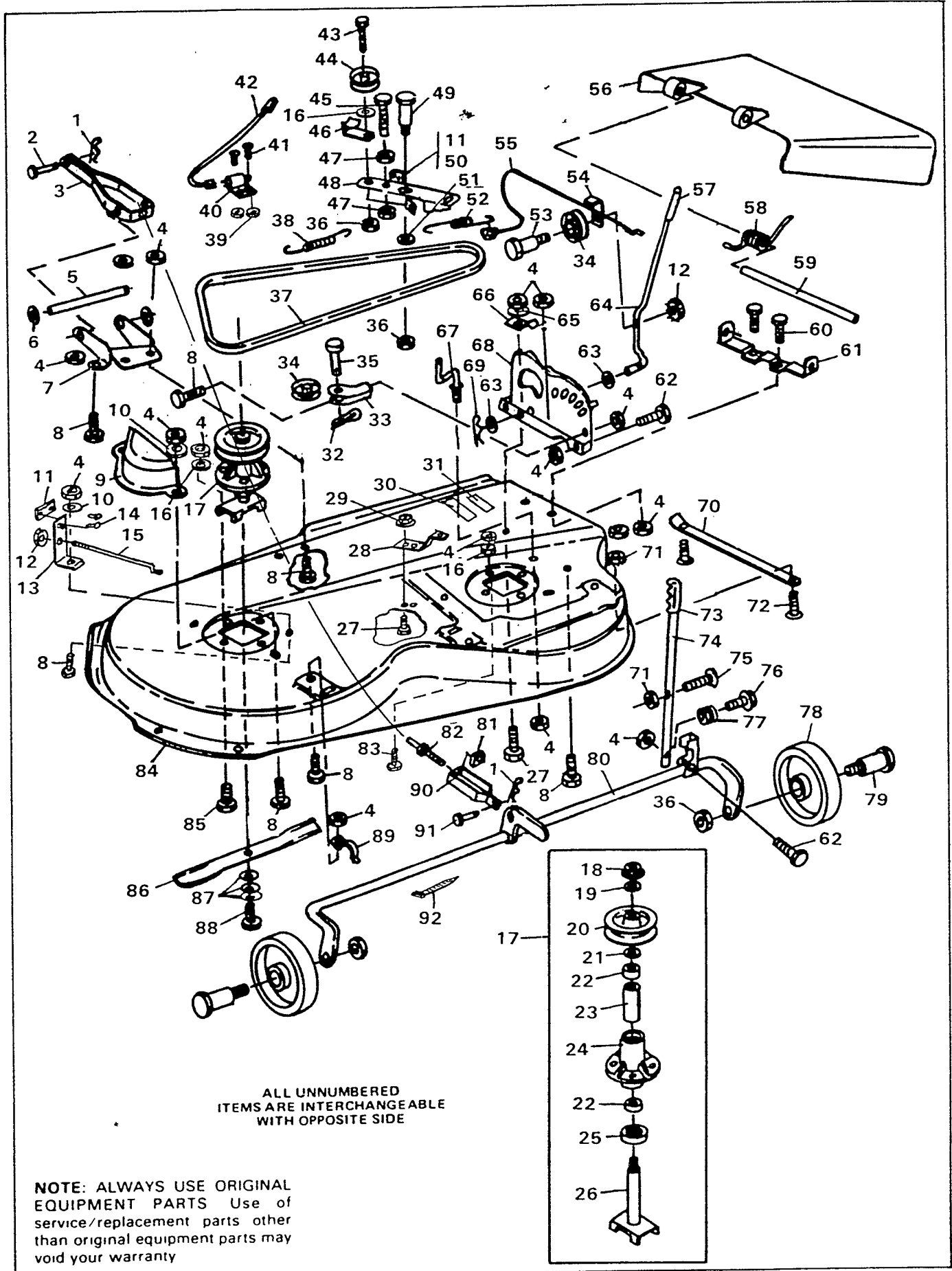
ALL UNNUMBERED
ITEMS ARE INTERCHANGEABLE
WITH OPPOSITE SIDE

36" RIDING MOWER MODEL 3611-42

Key No.	Part No.	Description	Key No.	Part No.	Description
1	273243	Screw, Hex, Hd, 1/4-20 x 3/4 In.	41	39979	Bearing
2	50988	Gas Gauge	42	41108	Tire
3	49050	Screw, Plastite, 1/4-10 x 3/4 In.	43	49930	Upstop Bolt
4	57793	Hood	44	39573	Screw, Hex Hd, Lock, 3/8-24 x 1 In.
5	45608	Edging, Hood	45	301258	Bracket, Deck Guide
6	54885	Pad, Vibration	46	57444	Tie, Wire
7	274672	Screw, Hex Hd, 1/4-20 x 5/8 In.	47	57569	Retainer, Wire
8	50352	Locknut, Wide Flange, 1/4-20 Thd.	48	43964	Bracket, Deck Guide Support
9	56354	Grille	49	43970	Fender
10	9413447	Locknut, Hex, 3/16-18 Thd.	50	995346	*Screw, Taptite, 1/4-20 x 1/2 In.
11	49040	Bracket, Grille Support, R.H.	51	446363	*Flatwasher, 5/16 In.
12	120393	*Flatwasher, 11/32 In.	52	48543	Sector Gear
13	49041	Bracket Grille Support, L.H.	53	44011	Shoulder Bolt, Sector Gear
14	122017	*Screw, Hex Hd, 5/16-18 x 1 In.	54	54902	Bearing, Steering
15	50720	Shoulder Bolt, Axle Pivot	55	44009	Pinion Gear
16	122201	*Screw, Hex Hd, 3/8-16 x 2-3/4 In.	56	56226	Console Assembly
17	58321	Bracket, Deck Hanger	57	44008	Shaft, Steering
18	70574	Decal, Caution	58	39492	Retaining Ring
19	120228	*Screw, Hex Hd, 5/16-18 x 5/8 In.	59	35287	Screw, Taptite, No. 8-32 x 3/8 In.
20	21275	Ball Joint	60	50117	Lever, Throttle Control
21	124925	Nut Hex, 3/8-24 Thd.	61	55564	Dash Assembly
22	56190	Drag Link	62	456378	Spring Pin, 1/4 x 2 In.
23	36625	"E" Ring	63	301251	Steering Wheel
24	120382	*Lockwasher, Split, 3/8 In.	64	41482	Press Clip
25	120369	*Nut, Hex, 3/8-24 Thd.	65	20507	Shoulder Bolt
26	274654	Locknut, Hex, 1/4-20 Thd.	66	50607	Knob, Throttle Control Lever
27	9413534	Locknut, 3/8-16 Thd.	67	70060	Decal, Lower Dash
28	55518	Spindle, Right	68	51335	Locknut, Wide Flange, 1/4-20 Thd.
29	2483	Spring Washer	69	9424215	Locknut, Hex, 1/4-20 Thd.
30	56362	Bracket, Front Axle Support	70	70117	Decal, Caution
31	56400	Front Axle Assembly	71	300284	Clip, Seat Spring
32	454565	Roll Pin	72	56235	Cover, Console, Rear
33	49447	Arm, Steering	73	56220	Spring Seat
34	50546	Bearing, Spindle	74	122007	*Screw, Hex Hd, 5/16-18 x 3/4 In.
35	55666	Tie Rod	75	120638	*Lockwasher, Split, 5/16 In.
36	55519	Spindle, Left	76	57417	Seat Bracket
37	642	Flatwasher, 3/4 In.	77	160505	Screw, SI Hd, 1/4-20 x 3/8 In.
38	40394	Hub Cap	78	57547	Switch, Seat
39	39829	Wheel w/Bearing	79	57452	Seat
40	24167	Valve Stem			

(*) Standard Hardware Items - May Be Purchased Locally.

36" RIDING MOWER MODEL 3611-42



ALL UNNUMBERED
ITEMS ARE INTERCHANGEABLE
WITH OPPOSITE SIDE

NOTE: ALWAYS USE ORIGINAL
EQUIPMENT PARTS Use of
service/replacement parts other
than original equipment parts may
void your warranty

36" RIDING MOWER MODEL 3611-42

Key No.	Part No.	Description	Key No.	Part No.	Description
1	56180	Hairpin Cotter	47	271172	Nut, Keps, 1/4-20 Thd.
2	47816	Pin, Clevis	48	300491	Idler Arm Assy. (Incl. Nos. 11 & 50)
3	57340	Pivot Bracket	49	300180	Shoulder Bolt
4	9413447	Locknut, 5/16-18 Thd.	50	41601	Rivet, Brake Pad
5	57196	Pin, Pivot	51	996416	*Flatwasher, 3/8 In.
6	20864	"E" Ring	52	300683	Spring, Clutch
7	57327	Lift Support Plate	53	57322	Shoulder Bolt
8	120228	*Screw, Hex Hd, 5/16-18 x 5/8 In.	54	52456	Retainer, Cable
9	57328	Belt Guard, L.H. Pulley	55	57326	Clutch Cable
10	120393	Flatwasher, 11/32 In.	56	57361	Chute Guard
11	41471	Brake Pad	57	46478	Grip, Clutch Lever
12	9424215	Locknut, 1/4-20 Thd.	58	55767	Spring, Discharge Chute
13	300181	Blade Bracket Assy. (Incl Nos 11 & 14)	59	57317	Rod, Pivot
14	135624	Rivet, Brake Pad	60	120834	*Screw, Hex Hd, 5/16-18 x 1/2 In.
15	300315	Rod, Brake Release	61	57360	Bracket, Pivot
16	996307	Washer	62	122040	*Screw, Hex Hd, 5/16-18 x 1-1/2 In.
17	56424	Quill Assy. (Incl. Nos. 18-26)	63	120396	Flatwasher
18	51445	Locknut, Flange	64	300188	Clutch Lever
19	56365	Flatwasher	65	120386	*Flatwasher, 5/16 In. I.D.
20	56390	Pulley	66	57321	Spring
21	51449	Spacer	67	57318	Retainer, Belt
22	49562	Bearing	68	57337	Quadrant
23	50818	Spacer, Tube	69	8260	Hairpin Cotter
24	55547	Quill	70	57314	Skid Bar
25	50616	Dust Shield	71	271184	*Nut, Keps, 5/16-18 Thd.
26	56425	Saddle & Shaft Assembly	72	126216	*Carriage Bolt, 5/16-18 x 3/4 In.
27	180077	*Screw, Hex Hd, 5/16-18 x 3/4 In.	73	56924	Grip, Height Adjust Lever
28	300179	Bracket, Idler	74	57329	Height Adjust Lever
29	44108	Nut, Hex, Wide Flange, 5/16-18 Thd.	75	57324	Screw, Latch
30	67475	Decal, Height Adjust	76	995338	Screw, Taptite, 1/4-20 x 5/8 In.
31	68547	Decal, Caution	77	57319	Spring
32	121222	*Cotter Pin, 3/32 x 3/4 In.	78	52584	Wheel, Deck
33	49320	Support, Cable Pulley	79	23763	Wheel Axle
34	39298	Pulley, Nylon	80	58167	Pivot Tube Assembly
35	49332	Pin, 3/8 x 1 In.	81	120372	*Nut, Square, 1/4-20 Thd.
36	9413534	Locknut, 3/8-16 Thd.	82	300341	Lift Cable
37	58170	V-Belt	83	180083	*Screw, Hex Hd, 5/16-18 x 1-1/2 In.
38	35410	Spring	84	58169	Mower Deck
39	271166	Nut, Keps, No. 10-24 Thd.	85	180079	*Screw, Hex Hd, 5/16-18 x 1 In.
40	57476	Switch	86	58212	Blade
41	159943	Screw, Pan Hd, No. 10-24 x 5/8 In.	87	2483	Formed Washer
42	57588	Wire Assembly	88	39573	Screw, Hex Hd, 3/8-24 x 1 In.
43	57325	Carriage Bolt, 3/8-16 x 2 In.	89	51985	Support, Pivot Tube
44	300841	Pulley, Idler 310 226	90	300703	Clevis, Lift Cable
45	121954	*Screw, Hex Hd, 1/4-20 x 2 In.	91	39522	Pin, Clevis
46	300844	Retainer, Belt	92	57444	Wire Tie

(*) Standard Hardware Items - May Be Purchased Locally.

klipex band. side adjuster 309 882

36" RIDING MOWER MODEL 3611-42

Key No.	Part No.	Description	Key No.	Part No.	Description
1	300626	Key, Ignition	18	187745	*Screw, Hex Hd. 1/4-20 x 3/4 In.
2	48140	Locknut (Switch Part)	19	9424215	Locknut, Hex, 1/4-20 Thd.
3	138557	Lockwasher (Switch Part)	20	45877	Nut (Lockout Switch Part)
4	300687	Switch, Ignition	21	41204	Switch, Lockout
5	49211	Fuse	22	45878	Lockwasher (Lockout Switch Part)
6	57642	Wire Harness Assembly	23	56635	Nut, Hex, 15/32-32 Thd.
7	56360	Bracket, Battery, Hold-Down	24	53716	Solenoid
8	120375	Nut, Hex, 1/4-20 Thd.	25	49734	Bracket, Switch Mounting
9	120380	Locknut, Split, 1/4 In.	26		Engine Part
10	120392	*Flatwasher, 9/32 In.	27	54888	Retainer, Wire
11	55511	Ground Wire	28	41482	Wire Clip, Press
12	271172	Nut, Deps, 1/4-20 Thd.	29	56189	Lead Wire, Headlight
13	57486	Battery	30	50668	Screw, Hex Wa Hd No. 10-14 x 1/2 In.
14	120854	*Screw, Hex Hd, 1/4-20 x 5/8 In.	31	52571	Bezel, Headlight
15	40234	Battery Rod	32	52572	Bulb, Headlight
16	120368	Locknut, Hex, 5/16-24 Thd.	33	52570	Lens, Headlight
17	138485	*Washer, Shakeproof, 5/16 In.			

(*) Standard Hardware Items - May Be Purchased Locally.

