

# REPAIR PARTS MANUAL

## 36" - 11 H.P. RIDING MOWER

### MODEL 3560-0380

#### ONE YEAR LIMITED WARRANTY

For one (1) year from date of purchase by the first consumer for residential use (thirty (30) days commercial use), NOMA Outdoor Products Incorporated warrants that it will replace free of charge, including labor, any original part of any NOMA Outdoor Products Incorporated product found to be defective by any authorized Service Dealer or the factory, except the battery which is warranted for ninety (90) days from date of purchase.

This warranty does not cover engine, transmission, transaxle or differential (these items are covered by their manufacturer's own warranty). This warranty does not cover parts that have failed due to normal wear or parts that have failed subject to misuse or abuse. Transportation of the unit or part to and from an authorized Service Dealer or factory is the responsibility of the owner.

A step by step explanation as to what procedure should be followed for this Warranty is:

1. If a part becomes defective, contact the store where the unit was purchased for the name and address of the authorized Service Dealer nearest to you.
2. If you cannot locate an authorized Service Dealer, write Service Department of NOMA Outdoor Products Incorporated for the name and address of the authorized Service Dealer in your area or call the Service Department at 1-901-422-1690.
3. Return the defective product, along with proof of purchase to such authorized Service Dealer for replacement of any defective part where covered by this warranty.

There is no other express warranty. Implied warranties, including those of merchantability and fitness for a particular purpose are limited to one (1) year from date of purchase. Liability for incidental or consequential damages are excluded.

Some states do not allow limitations on how long an implied warranty lasts, so the above limitation may not apply to you. Some states do not allow the exclusion of incidental or consequential damages, so the above exclusion may not apply to you. This warranty gives you specific legal rights, and you may have other rights which vary from state to state.

**NOMA Outdoor Products Incorporated**

**Caller 8000**

**Jackson, TN 38308-8000**

#### UNIT PARTS AND SERVICE

This manual contains instructions for safety, assembly and maintenance. Read this manual carefully and completely so that you will know proper assembly, use and care of your unit. Also fill in and mail the registration card packed with the unit. For service other than covered in this manual, contact an authorized service dealer. A nationwide parts and service organization has been established to provide locally available parts and service. A list of authorized parts distributors has been included in this manual. When ordering repair parts, always give the following information: 1. The Part Name; 2. The Part Number; 3. The Quantity desired; 4. The Full (eight digit) Model Number of the unit. The model number will be found on a plate attached to the unit.



Look for this symbol.

It means - **ATTENTION! BECOME ALERT! A HAZARD TO OPERATOR, BYSTANDER, PROPERTY OR EQUIPMENT MAY EXIST.**

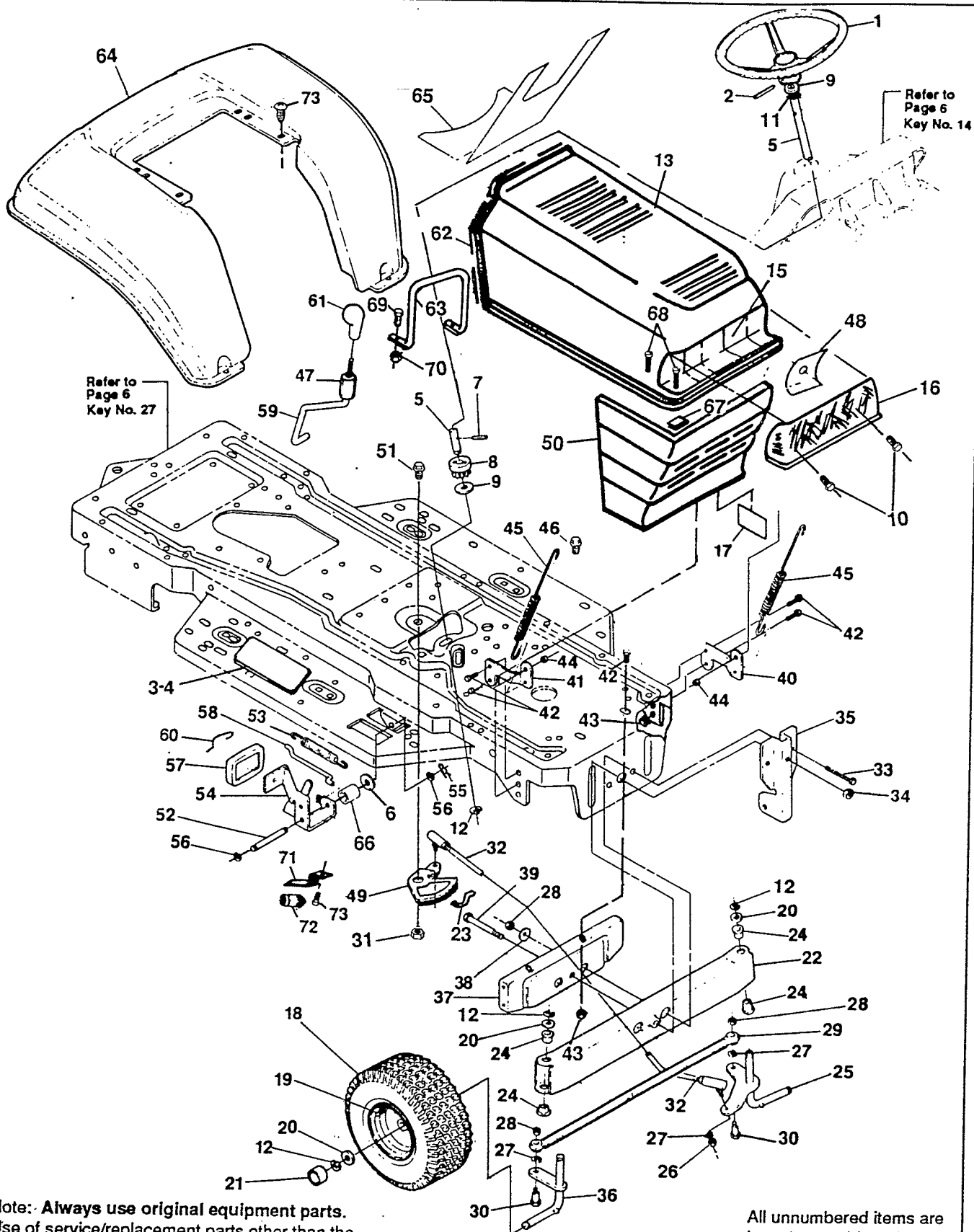
**NOMA Outdoor Products Incorporated**

**Caller 8000**

**Jackson, TN 38308-8000**

# REPAIR PARTS

## 36" RIDING MOWER MODEL 3560-0380



Refer to  
Page 6  
Key No. 27

Refer to  
Page 6  
Key No. 14

Note: Always use original equipment parts. Use of service/replacement parts other than the original equipment parts may void your warranty.

All unnumbered items are interchangeable with the opposite side.

# 36" RIDING MOWER MODEL 3560-0380

Always give the following information when ordering repair parts:

1. The **PART NUMBER**;
2. The **PART NAME**;
3. The **QUANTITY DESIRED**;
4. The **MODEL NUMBER** (As shown on Model Plate).

Send your part orders per the instructions on the front page.

To tell if a part is the right or left handed one, stand behind your mower.

Do not use the key numbers when ordering repair parts, **always use the part numbers.**

All replacement parts will be supplied in current production colors or in a neutral color.

A handling fee is applicable to small parts orders.

Key No.	Part No.	Description	Key No.	Part No.	Description
1	301251	Steering Wheel	44	1498	Locknut, Hex Hd, 5/16 - 18 Thd.
2	456378	Spring Pin	45	57478	Extension Spring
3	304033	Foot Pad, L.H.	46	300302	Screw, Plastite #10
4	394932	Foot Pad, R.H.	47	302445	Tube, Plastic, Shift Lever
5	44008	Steering Shaft	48	307732	Decal, Center Lens
6	120393	Flatwasher	49	304245	Steering Sector
7	454656	Dowel Pin	50	302722	Grill
8	44009	Steering Pinion	51	44011	Shoulder Bolt
9	54902	Bearing, Steering (Upper & Lower)	52	302600	Brake Clutch Pedal Shaft
10	57796	Screw, #6 CR Recess	53	50562	Spring, Clutch Pedal
11	39492	Retaining Ring	54	302603	Pedal Assembly
12	36625	E-Ring	55	121222	Cotter Pin, 3/32 x 3/4
13	305845	Hood	56	20864	Retaining Ring
14	56676	Shoulder Bolt	57	53979	Rubber Brake Pedal Pad
15	304979	Reflector, Decal	58	43980	Clutch Rod
16	305716	Headlamp Lens	59	302283	Shift Lever
17	301452	Decal, Heat Reflector	60	55024	Retainer 3"
18	39472	Tire & Rim <i>15x600 x6</i>	61	304438	Shift Knob
19	24167	Valve Stem	62	302502	Rubber Pads Under Hood
20	642	Washer	63	307278	Support, Dash Hood
21	40394	Hub Cap	64	308003	Fender
22	53699	Front Axle	65	301104	Decal, Shift Caution
23	54888	Wire Retainer	66	302601	Spacer
24	50546	Spindle Bearing	67	9783	Tie Bracket, Hood
25	48847	Spindle, L.H.	68	35055	Screw, Taptite #10 - 24 x 1/2 In.
26	120369	Nut, Hex, 3/8 - 24 Thd.	69	301542	Screw, #10 - 24 x 1 In.
27	120382	Lockwasher, Split 3/8 In.	70	997316	Nut, Hex #10 - 24 Thd.
28	1499	Nut, Hex Lock 3/8 - 16	71	302610	Bracket, Switch
29	302691	Tie Rod	72	300220	Switch, Brake-Clutch Pedal
30	122145	Screw, Hex Lock 3/8 - 16 x 1 - 1/4 In.	73	995346	Screw, Taptite 1/4 - 20 x 1/2 In.
31	39573	Screw, 3/8 - 24 x 1 In.			
32	302689	Drag Link			
33	122201	Screw, Hex Hd, 3/8 - 16 x 2 - 3/4 In.			
34	274654	Locknut, Hex Hd, 1/4 - 20 Thd.			
35	307073	Hanger Bracket			
36	48846	Spindle, R.H.			
37	56362	Front Axle Support Bracket			
38	2483	Spring Washer			
39	50720	Shoulder Bolt, Hex Hd 1/2 - 20 x 2 - 7/8			
40	305535	Grill Bracket, L.H.			
41	305536	Grill Bracket, R.H.			
42	56030	Screw, Hex Hd, Flange Lock 5/16 - 18 x 3/4 In.			
43	55273	Nut, Hex Flange Lock 5/16 - 18 Thd.			

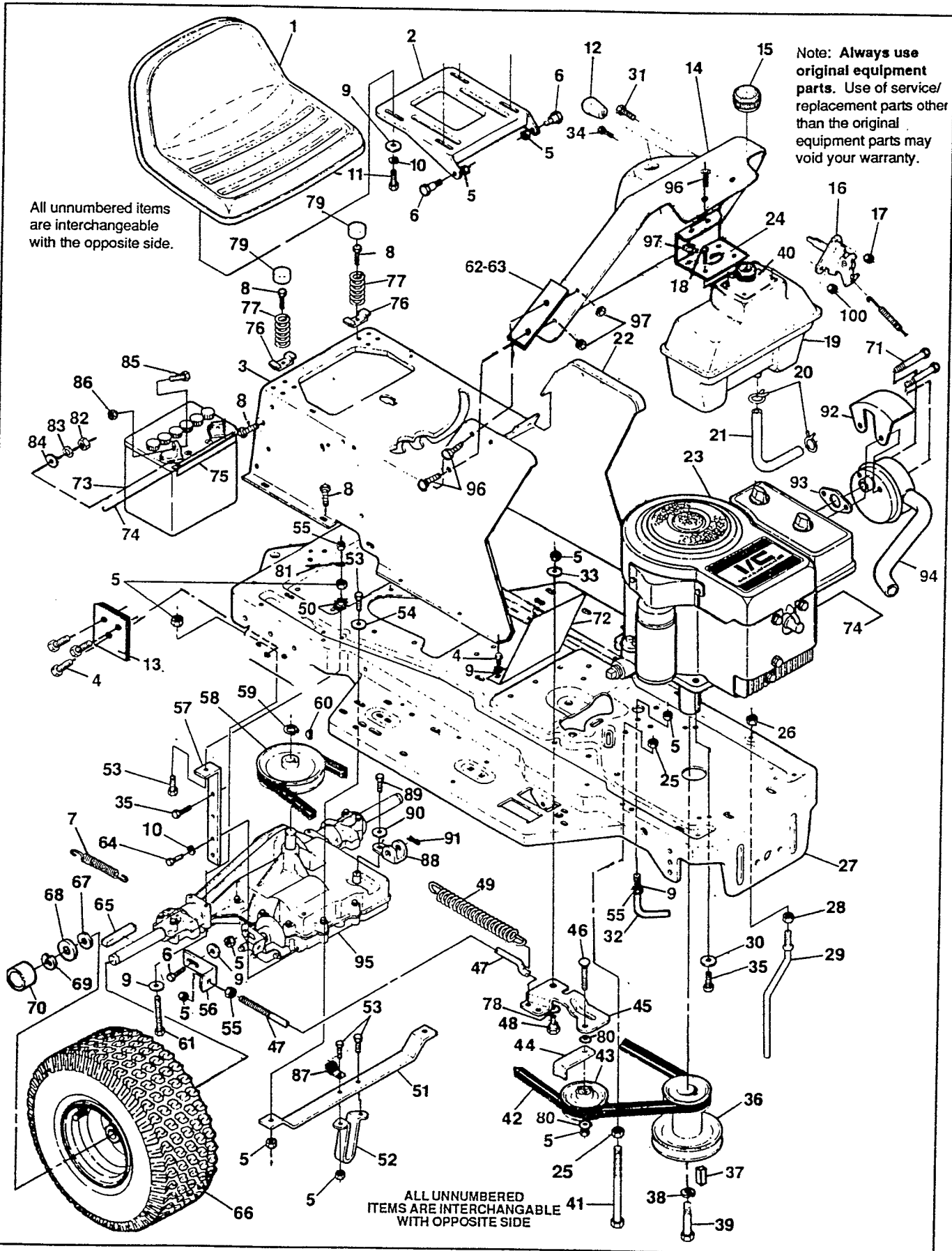
(\*) Standard Hardware Items - May Be Purchased Locally

(~) Contact Engine Manufacturer's authorized service dealer (See Engine Manual) for parts and warranty.

(^) Contact Tecumseh/Peerless authorized service dealer for parts and warranty

# REPAIR PARTS

## 36" RIDING MOWER MODEL 3560-0380



Note: Always use original equipment parts. Use of service/replacement parts other than the original equipment parts may void your warranty.

All unnumbered items are interchangeable with the opposite side.

ALL UNNUMBERED ITEMS ARE INTERCHANGEABLE WITH OPPOSITE SIDE

# 36" RIDING MOWER MODEL 3560-0380

Key No.	Part No.	Description
1	304314	Seat
2	305287	Seat Plate
3	8525	Console, Rear Cover
4	120228	Screw, 5/16 - 18 x 5/8 In.
5	1498	Locknut, Hex 5/16 - 18 Thd.
6	20507	Shoulder Bolt
7	35410	Spring, Brake Return
8	995346	Screw, 1/4 - 20 x 1/2 In.
9	120393	Washer, Flat
10	120638	Lockwasher, 5/16 In.
11	122007	Screw, 5/16 - 18 x 3/4 In.
12	300508	Knob, Round Black
13	7707	Axle Bracket
14	305434	Dash Board
15	50988	Gas Cap
16	303159	Throttle Control
17	271166	Nut, Keps No. 10 - 24 Thd.
18	49050	Screw, 1/4 - 10 Thd. 3/4 In.
19	302579	Gas Tank
20	41008	Clamp, Gas Line
21	47452	Gas Line
22	306928	Console
23		~Engine
24	9774	Bracket, Gas Tank Top
25	1499	Locknut, 3/8 - 18 Thd.
26	41529	Nut, Hex Jam 3/8 - 16 Thd.
27	12543	Frame
28	271190	Nut, Keps 3/8 - 16 Thd.
29	50653	Belt Guide
30	138489	Star Washer
31	159943	Screw, #10 - 24
32	49896	Belt, Drag Link Guide
33	45602	Flatwasher
34	159585	Screw, #8 - 32 x .38
35	50947	Screw, Hex Tap 3/8 - 16 x 1 - 1/4 In.
36	304330	Pulley Assembly, Engine
37	33200	Key
38	120383	Lockwasher, Split Lock 7/8 In.
39	123567	Screw, Hex Hd, 7/16 - 20 x 1 In.
40	54885	Pad, Top Gas Tank
41	49930	Screw, Hex Hd, 3/8 - 16 x 7 - 1/2 In.
42	54758	V-Belt
43	303031	Idler Pulley
44	39659	Strap Belt Retainer
45	1306	Idler Arm Bracket
46	45892	Carriage Bolt
47	54715	Brake Rod
48	41890	Shoulder Bolt
49	49276	Spring, Main Drive
50	138485	Star Washer

Key No.	Part No.	Description
51	43964	Guide Support
52	301258	Mower Deck Guide
53	122017	Screw, Hex Hd, 5/16 - 18 Thd.
54	446363	Flatwasher
55	271184	Nut, Keps 5/16 - 18 Thd.
56	54723	Brake Rod Bracket
57	56568	Stabilizer Bracket
58	302745	Pulley
59	22053	Retaining Ring
60	3021	Woodruff Key
61	180089	Screw, Hex Hd, 5/16 - 18 x 2-1/4 In.
62	302723	Dash, Insert L.H.
63	302724	Dash, Insert R.H.
64	35498	Screw, Hex Tap 5/16 - 18 x 3/4 In.
65	39628	Key, Square, 3/16 x 2-1/2 In.
66	41104	Tire & Rim 18 x 9.50 x 8
67	642	Washer
68	42185	Washer
69	36625	E-Ring
70	40394	Hub Cap
71	170363	Screw, Hex Hd, 5/16 - 18 x 3-1/2 In.
72	55535	Bulkhead, Console
73	302257	Battery
74	40234	Battery Rod
75	56360	Battery, Hold Down Rod
76	1341	Spring Clamp
77	56220	Seat Spring
78	4107	Washer
79	302099	Seat Spring Cover
80	274517	Washer
81	55511	Ground Wire
82	120375	Nut, Hex Keps, 1/4 - 20 Thd. x 3/4 In.
83	120380	Lockwasher, 1/4 Split
84	120392	Flatwasher
85	120854	Screw, Hex Hd, 1/4 - 20 x 5/8 In.
86	271172	Nut, Hex Keps, 1/4 - 20 Thd.
87	57569	Wire Retainer
88	57480	Shift Bracket
89	56255	Screw, Hex Hd, Nylon 1/4 - 28 x 3/4 In.
90	57157	Special Washer
91	137185	Nut, Hex Keps, 1/4 - 20 In.
92	54767	Heat Shield
93	46708	Muffler Gasket
94	305367	Muffler
95	302968	^Transaxle, 5 Speed, P920
96	274672	Screw, Hex Hd, 1/4 - 20 x 5/8 In.
97	51335	Locknut, 1/4 - 20 Wide Flange
98	307930	Repair Parts Manual (Not Illustrated)
99	307127	Operator's Manual (Not Illustrated)
100	120622	Nut, #8 - 32

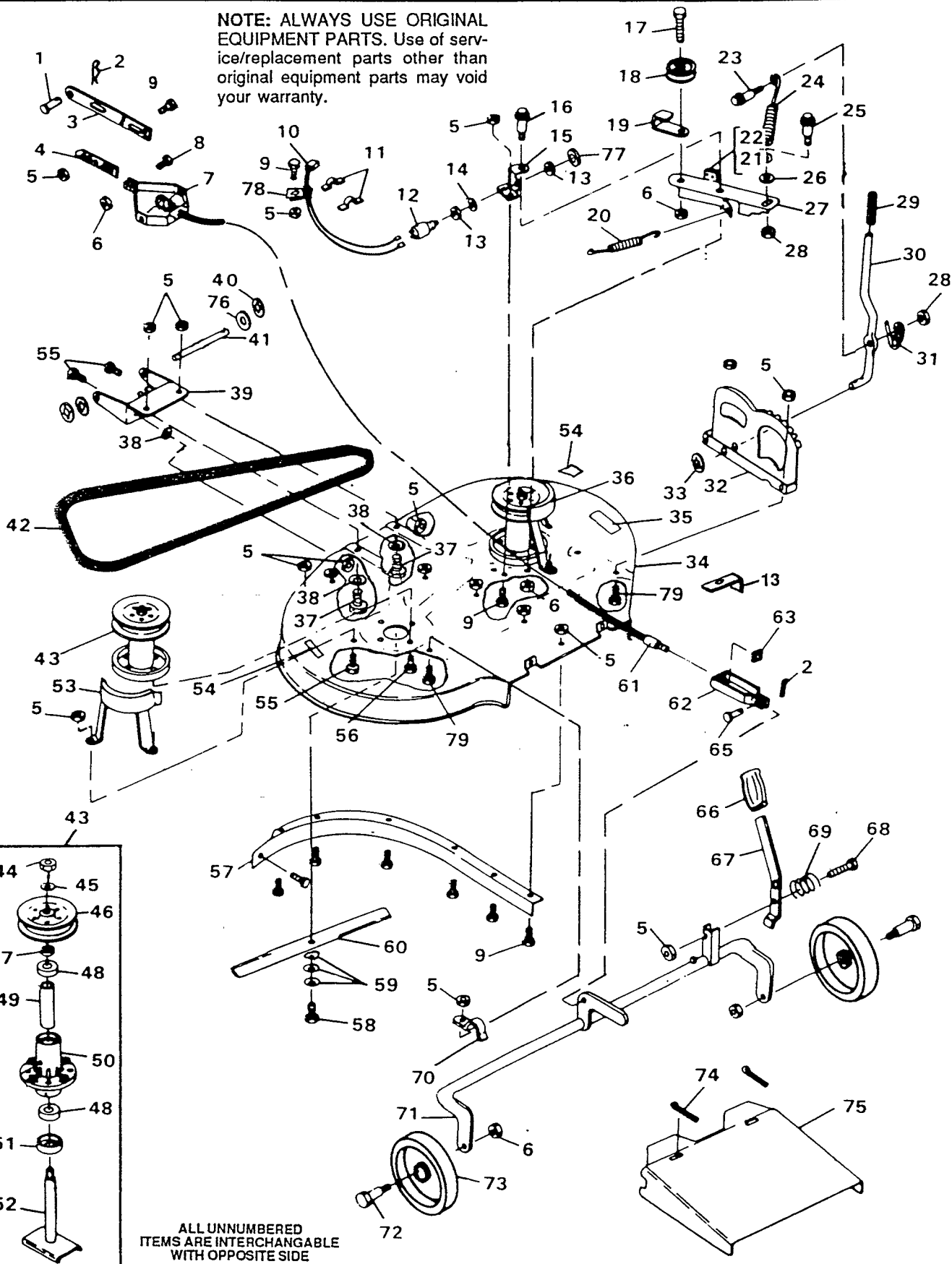
(^) Contact Tecumseh/Peerless authorized service dealer for parts and warranty.

(~) Contact engine manufacturer's authorized service dealer (see engine manual) for parts and warranty.

# REPAIR PARTS

## 36" RIDING MOWER MODEL 3560-0380

NOTE: ALWAYS USE ORIGINAL EQUIPMENT PARTS. Use of service/replacement parts other than original equipment parts may void your warranty.



ALL UNNUMBERED ITEMS ARE INTERCHANGABLE WITH OPPOSITE SIDE

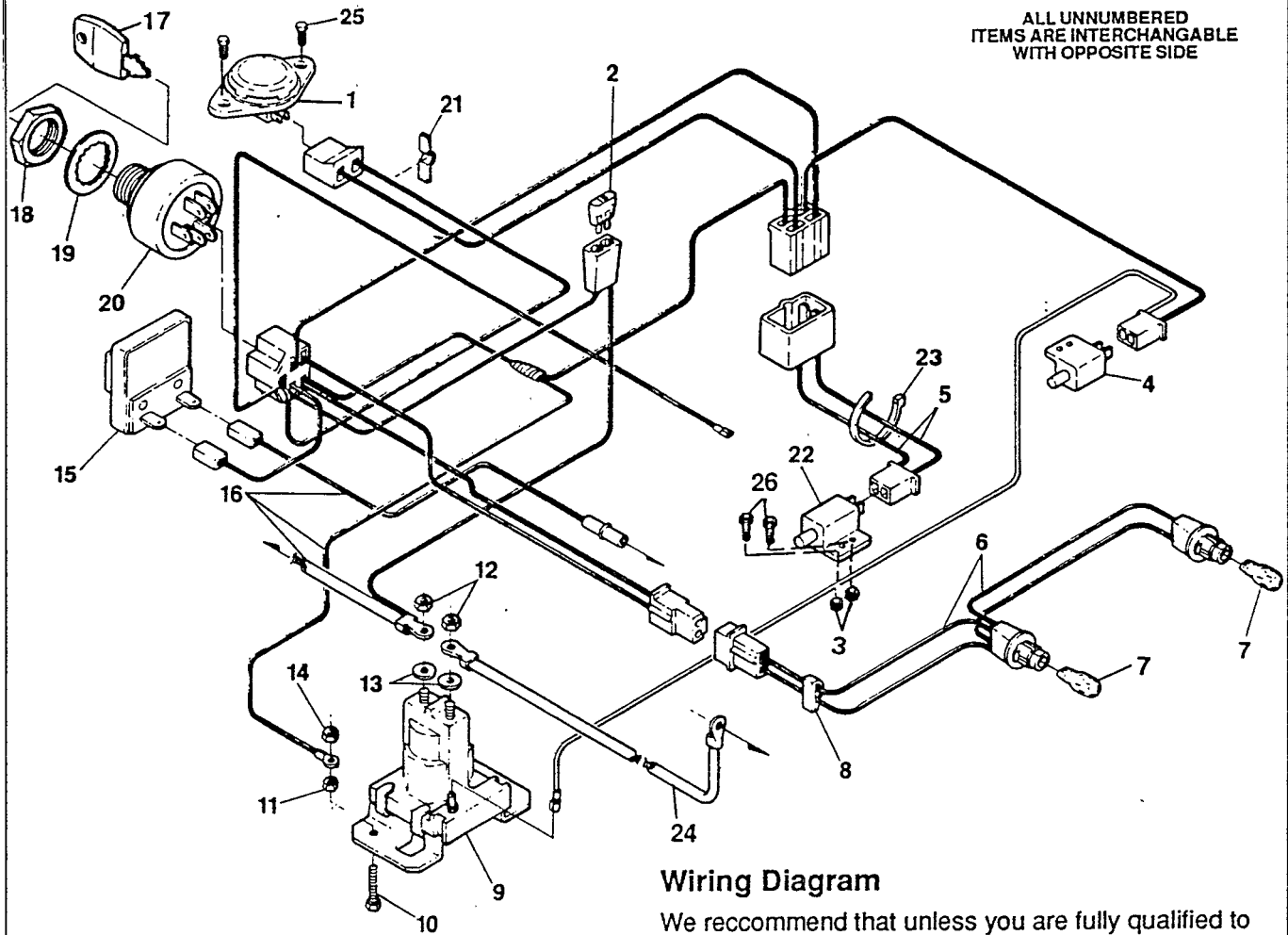
# 36" RIDING MOWER MODEL 3560-0380

Key No.	Part No.	Description
1	47816	Pull Pin
2	56180	Hairpin Cotter
3	49059	Bar Hitch
4	49058	Lock Bracket
5	1498	Locknut, 5/16 - 18 Thd.
6	1499	Locknut, 3/8-16 Thd.
7	50613	Pivot Bracket
8	120918	*Screw Hex Hd. 3/8 - 16 x 1 1/2 In.
9	120228	*Screw, Hex Hd, 5/16-18 x 5/8 In.
10	57588	Wire Assembly
11	57444	Wire Tie
12	57476	Switch, Lockout
13	306893	Bracket
14	446363	Washer
15	57514	Bracket , Idler Arm
16	47516	Shoulder Bolt
17	122168	*Screw, Hex Hd. 3/8 - 16 x 1 3/4 In.
18	303028	Pulley Idler
19	7354	Belt, Retainer
20	35410	Spring
21	41601	Rivet, Brake Pad
22	306973	Brake Pad
23	1289	Shoulder Bolt
24	52636	Spring, Clutch Lever
25	46563	Shoulder Bolt
26	120392	*Flatwasher 9/32 In.
27	53056	Idler Arm
28	1502	Locknut, 1/4-20 Thd.
29	46478	Grip, Clutch Lever
30	<del>865383</del>	Clutch Lever 30632
31	46561	Spring, Clutch lever
32	53247	Quadrant
33	53697	Push Nut
34	8989	Mower Deck
35	68901	Decal, Height Adjust
36	307548	Cover, Pulley R.H.
37	122007	Screw, Hex Hd. 5/16 - 18 x 3/4 In.
38	996416	*Flatwasher, 3/8 In.
39	48676	Lift Support Plate
40	20864	"E" Ring

Key No.	Part No.	Description
41	55724	Pin, Pivot
42	308701	V-Belt
43	56424	Quill Assy, (Incl. Nos. 44 - 52)
44	1282	Locknut, Flange, 7/16-20 Thd.
45	56365	Flatwasher
46	56390	Pulley
47	51449	Spacer
48	49562	Bearing
49	50818	Spacer, Tube
50	55547	Quill
51	50616	Dust Shield
52	56425	Saddle & Shaft Assy.
53	307549	Cover, Pulley L.H.
54	68542	Decal, Caution
55	122017	*Screw, Hex Hd. 5/16 - 18 x 1 In.
56	50634	Screw, Hex Wa Tap, 5/16-18 x 7/8 In.
57	55655	Baffle L.H.
58	39573	Screw, Hex Hd, 3/8-24 x 1 In.
59	2483	Spring Washer
60	56821	Blade 18 In.
61	300341	Lift Cable
62	9405	Clevis, Lift Cable
63	120372	*Nut, Square, 1/4-20 Thd.
64	56180	Hairpin Cotter
65	39522	Pin, Clevis
66	20250	Hand Grip
67	307050	Height Adjust Lever
68	120696	*Screw, Hex Hd. 5/16 - 18 x 2 1/4 In.
69	53246	Spring
70	51985	Support, Pivot Tube
71	52613	Pivot Tube Assembly
72	23763	Wheel Axle
73	52584	Wheel, Deck
74	120123	*Cotter Pin, 1/8 x 1 1/4 In.
75	50993	Chute Extension
76	996425	Flatwasher
77	446363	Washer
78	120834	Screw, 5/16 - 18 x 1/2
79	300345	Screw, Washer, Tap 5

(\* Standard Hardware Items - May Be Purchased Locally

## 36" RIDING MOWER MODEL 3560-0380



### Wiring Diagram

We recommend that unless you are fully qualified to make repairs on the electrical system on this unit, you take it to a competent repairman for such work or adjustments. If the wiring is incorrectly hooked up, the engine electrical system can be damaged.

**NOTE: ALWAYS USE ORIGINAL EQUIPMENT PARTS.** Use of service/replacement parts other than original equipment parts may void your warranty.

Key No.	Part No.	Description	Key No.	Part No.	Description
1	57547	Seat Switch	19	138557	Lockwasher (Ignition Switch Part)
2	302031	Fuse, 15 amp	20	300687	Switch, Ignition & Lights
3	271166	Nut, Hex Keps, No. 10-24 Thd.	21	41482	Press Clip
4	300220	Brake-Clutch Switch	22	57476	Deck Switch
5	57588	Deck Harness	23	57444	Wire Tie
6	303064	Headlight Harness	24	55511	Ground Wire
7	52572	Headlight Bulb	25	160505	Screw, Pan Hd, 1/4 - 20 x 3/8 In.
8	54888	Wire Retainer	26	159943	Screw, #10 - 24 x 5/8 In.
9	53716	Solenoid			
10	187745	Screw, Hex Hd, 1/4 - 20 x 3/4 In.			
11	1502	Nut, 1/4 - 20 Thd.			
12	120368	Nut, 5/16 - 24 Thd.			
13	138485	Washer, Shakeproof			
14	271172	Nut, Keps 1/4 - 20 Thd.			
15	39463	Ammeter Gauge			
16	57643	Wire Harness			
17	300626	Key, Ignition Switch			
18	48140	Nut, (Ignition Switch Part)			