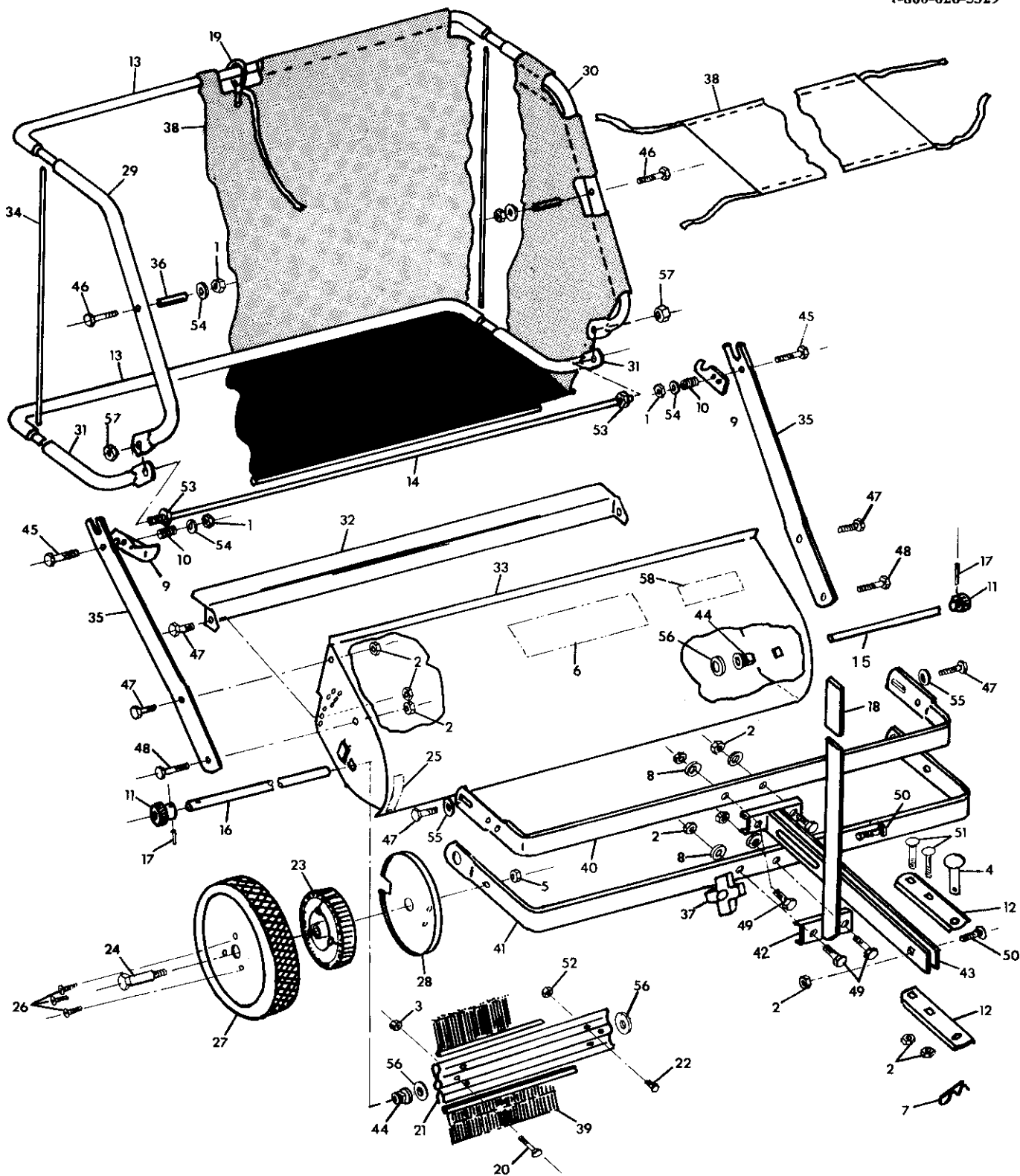


TO ORDER PARTS:
Brinly-Hardy Co.
P.O. Box 1116
Louisville, Ky. 40201
1-800-626-5329



NOTES

PARTS LIST

STS-360 LT

REF	PART NO.	DESCRIPTION	QTY.	REF	PART NO.	DESCRIPTION	QTY.
1	B-1673P	Hex Lock Nut- 1/4"	4	31	R-1806-10	Lower Tube	2
2	B-1674P	Hex Lock Nut- 5/16"	16	32	R-1866-10	Baffle	1
3	B-3385	Hex Lock Nut- #10	2	33	R-1860-10	Housing Assembly	1
4	B-3861	Hitch Pin- 1/2"x2 1/4"	1	34	R-1815	Hamper Rod	2
5	B-3718	Hex Lock Nut- 3/8"	2	35	R-1816-10	Hamper Support Bar	2
6	B-3581-R	Logo Decal	1	36	R-1818-01	Hamper Spacer	2
7	D-146P	Hair Pin Cotter	1	37	F-782	Adjusting Knob	1
8	R-618	Special Washer- 5/16"	4	38	R-1865	Hamper & Wind Screen	1
9	R-644A-01	Frame Latch	2	39	R-1862	Brush Section	4
10	R-646	Latch Spring	2	40	R-1843-10	Tow Bar Support Tube	1
11	R-882-A	Drive Pinion	2	41	R-1845-10	Wheel Support Tube	1
12	R-892-10	Drawbar Clevis	2	42	R-1846-10	Handle Assembly	1
13	R-1287-10	Rear Tube- Top & Bottom	2	43	R-1848-10	Tow Bar Assembly	1
14	R-1288	Stop Rod	1	44	R-1856	Bronze Bearing	2
15	R-959	Long Axle	1	45	1M0824P	Hex Bolt- 1/4"x1-1/2"	2
16	R-960	Short Axle	1	46	2M0832P	Hex Bolt- 1/4"x2"	2
17	R-1014	Drive Pin	2	47	2M1012P	Hex Bolt- 5/16"x3/4"	6
18	R-1882	Handle Grip	1	48	2M1016P	Hex Bolt- 5/16"x1"	2
19	R-1039	Pull Rope	1	49	2M1020P	Hex Bolt- 5/16"x1-1/4"	4
20	R-1502	Machine Screw- #10 x 7/8"	2	50	10M1020P	Carriage Bolt- 5/16"x1-1/4"	2
21	R-1509	Brush holder Half	4	51	10M1032P	Carriage Bolt- 5/16"x2"	2
22	R-1523	Hex Screw- #10 x 1/2"	8	52	30M0600P	Hex Nut- #10	8
23	R-1584	Drive Gear	2	53	30M1200P	Hex Nut- 3/8"	2
24	R-1595	Shoulder Bolt- 1/2"	2	54	45M0909P	Flat Washer- 1/4"	4
25	R-1721	Height Adjust Decal	1	55	45M1111P	Flat Washer- 5/16"	2
26	R-1722	Pan Head Screw- 1/4" x 3/4"	6	56	45M1717P	Flat Washer- 1/2"	5
27	R-1723	Wheel & Tire Assembly	2	57	B-1675P	Hex Lock Nut-3/8"	2
28	R-1738-10	Dust Shield	2	58	R-1874	Instructions Decal	1
29	R-1805 R-10	Upper Tube- (R.H.)	1				
30	R1805 L-10	Upper Tube- (L.H.)	1				