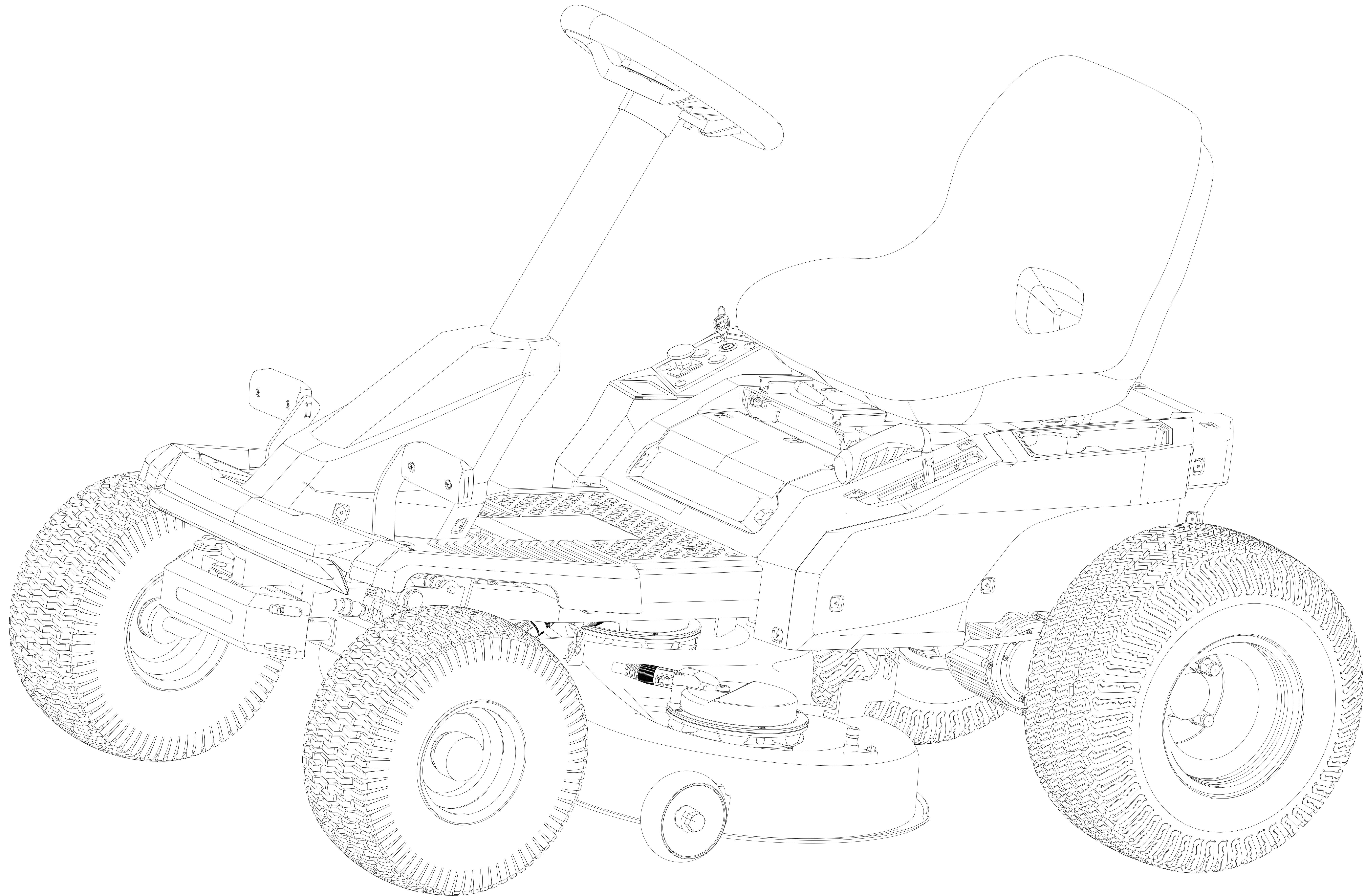
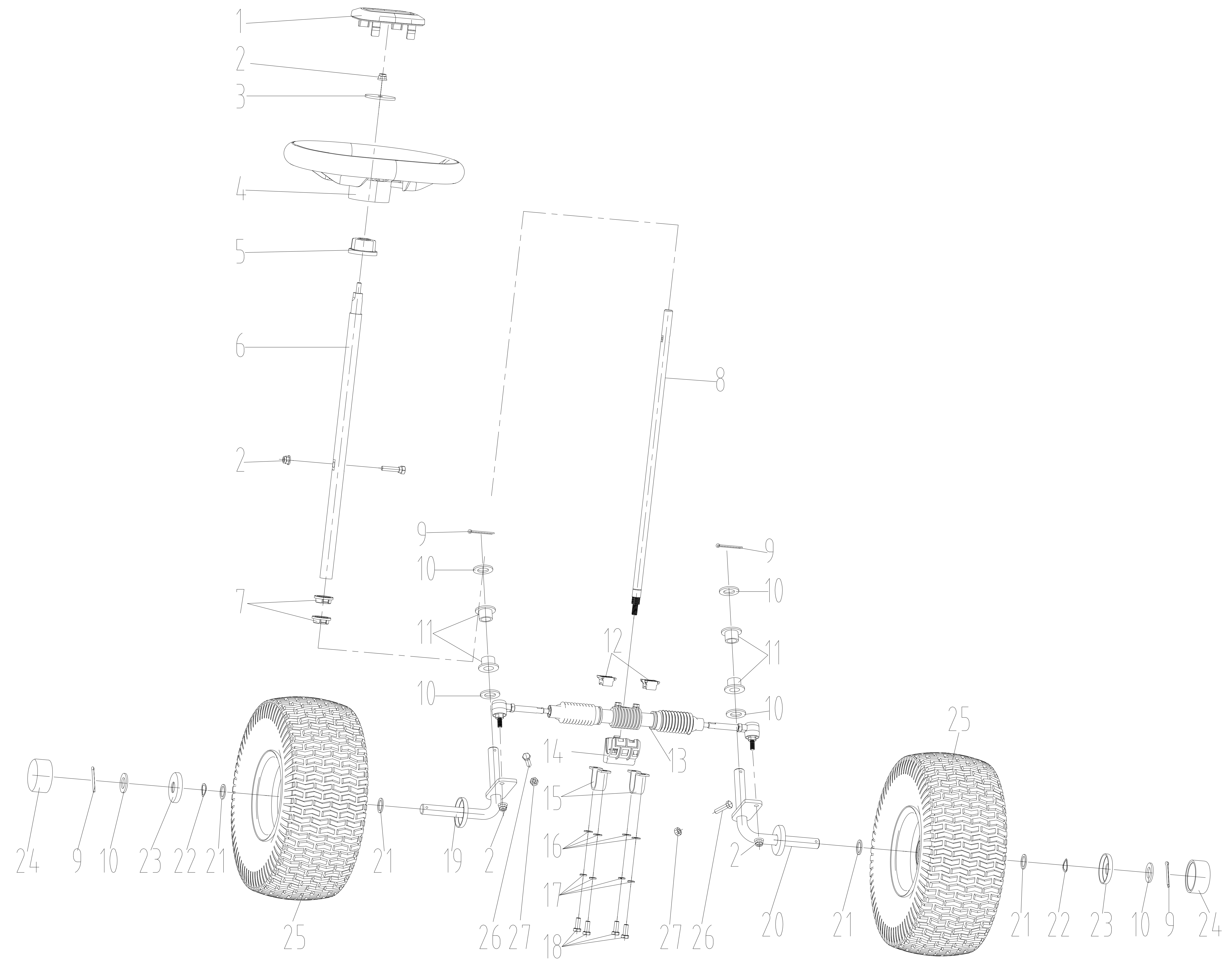


Model: Epsilon R9600Li

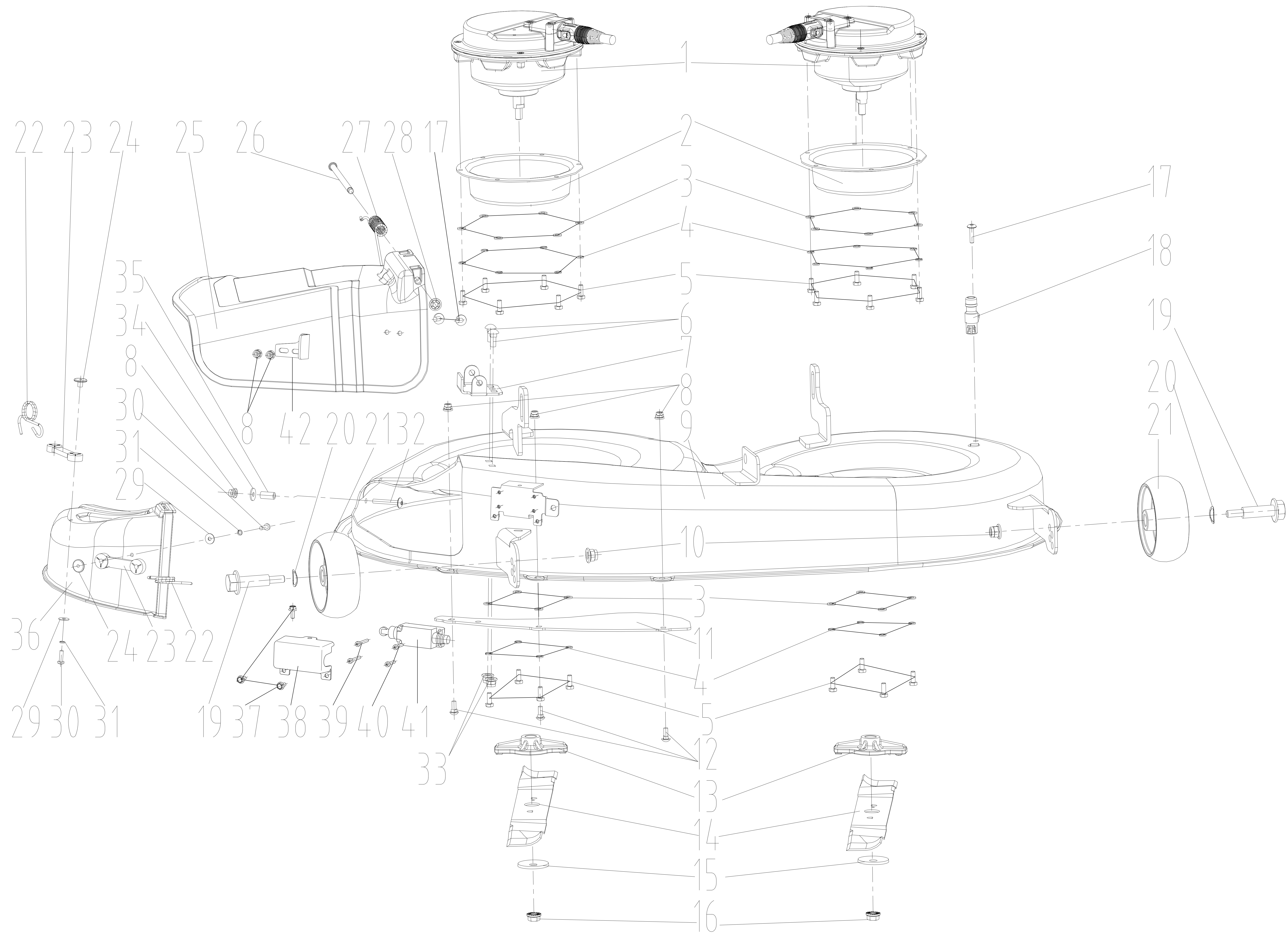
Part Number: 90070283

Year: 2025



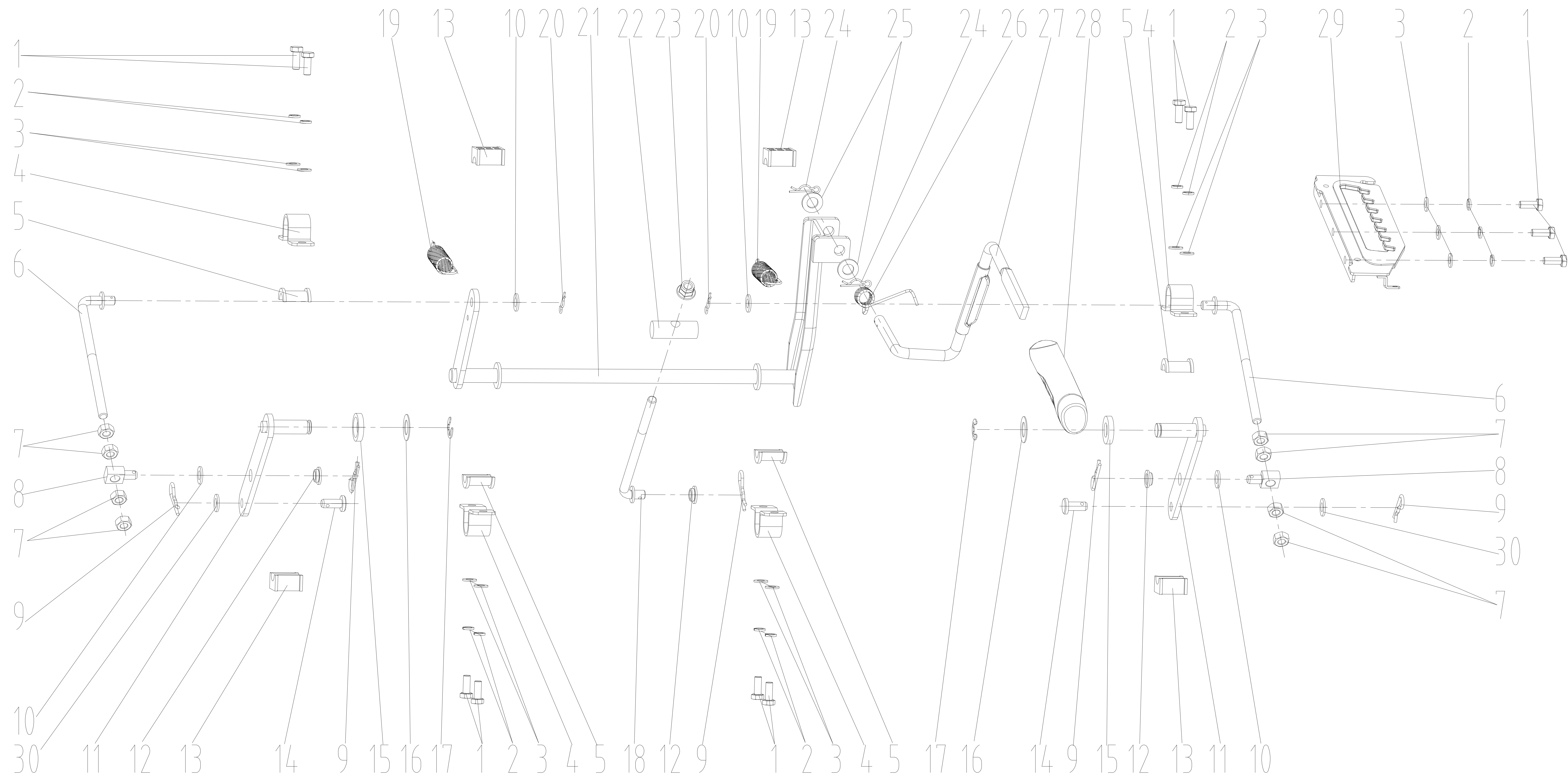


POS	QTY	PARTNUMBER	BESKRIVELSE	DESCRIPTION
1	1	453916	RATDÆKSEL	STEERING WHEEL CAP
2	4	453917	MØTRIK M8	FLANGE NUT M8
3	1	453918	SKIVE	WASHER PLATE_STEERING WHEEL
4	1	453919	RAT	STEERING WHEEL
5	1	453920	KRAVEBØS FOR RATSTAMME	SPLINE COLLAR_STEERING
6	1	453921	RATSTAMME ØVRE	UPPER STEERING SHAFT
7	2	453922	NYLON BØS	FLANGED BUSHING
8	1	453923	RATSTAMME NEDRE	LOWER STEERING SHAFT
9	4	453924	NÅLESPLIT	COTTER PIN
10	6	453925	PLANSKIVE Ø20	WASHER Ø20
11	4	453926	BØS	STEERING KNOCKLE BUSHING
12	2	453927	AFSTANDSSTYKKE	RECTANGLE SEMICIRCLE NYLON SPACER
13	1	453928	STYRESTANG	STEERING PART
14	1	453929	STØVDÆKSEL	STEERING DUST CAP
15	2	453930	STØTTE FOR RATSTAMME	FRAME MOUNT, HANGER BRACKET
16	4	453931	SKIVE Ø8	WASHER Ø8
17	4	453932	FJEDERSKIVE Ø8	LOCK WASHER Ø8
18	4	453933	BOLT M8X20	HEXAGON BOLT M8X20
19	1	453934	HJULGAFFEL VENSTRE	LEFT STEERING KNUCKLE
20	1	453935	HJULGAFFEL HØJRE	RIGHT STEERING KNUCKLE
21	4	453936	SKIVE 28X20,5	WASHER 28X20.5
22	2	453937	FJEDERSKIVE	CORRUGATED GASKET3
23	2	453938	STØVDÆKSEL FORHJUL	FRONT WHEEL BEARING COVER
24	2	453939	NAVKAPSEL	DUST COVER, FRONT WHEEL
25	2	453940	FORHJUL	FRONT WHEEL, ASSEMBLY
26	2	453941	BOLT M8X30	HEXAGON BOLT M8X30
27	2	454314	MØTRIK M8	HEX NUT M8

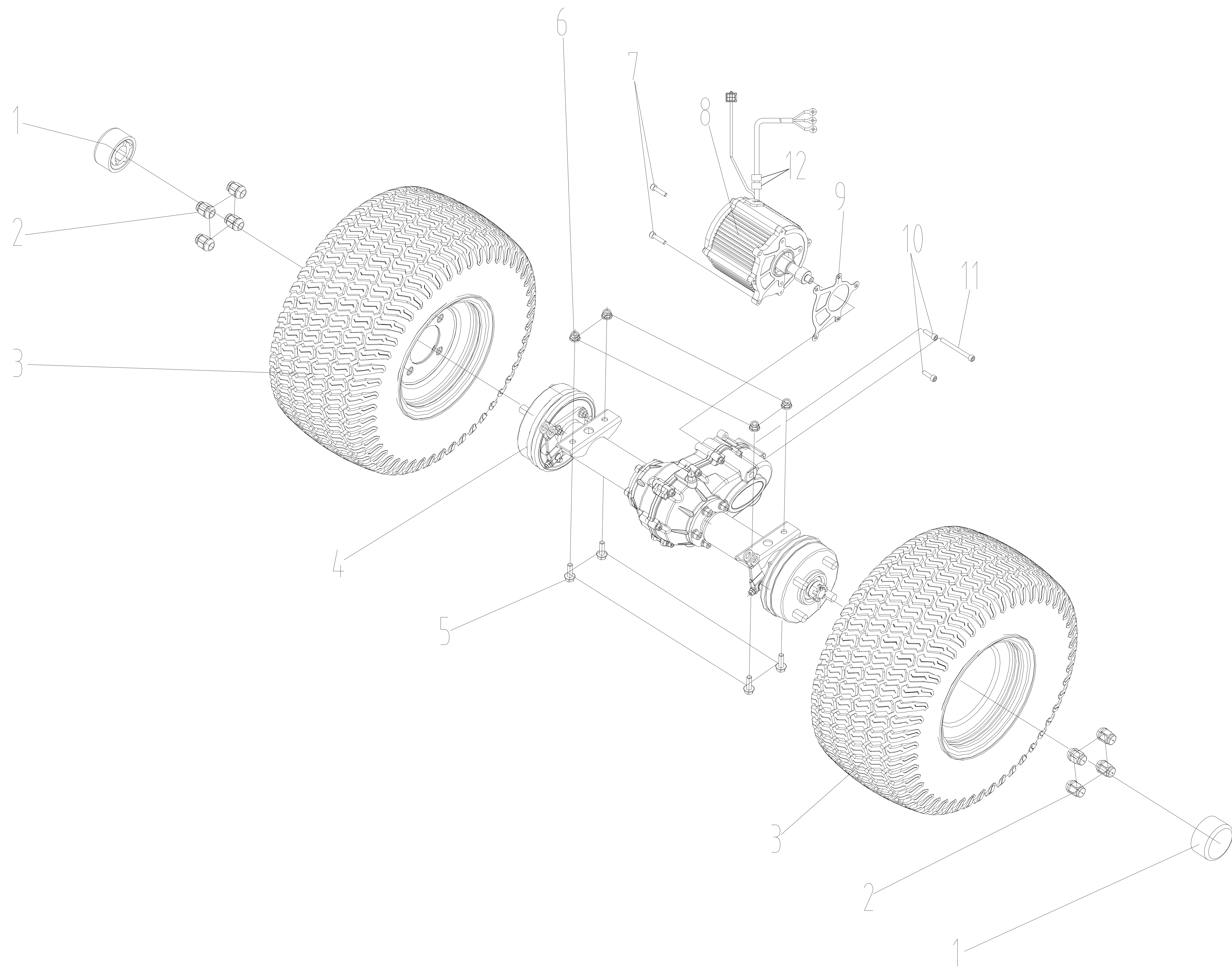


POS	QTY	PARTNUMBER	BESKRIVELSE	DESCRIPTION
1	2	453942	MOTOR FOR KLIPPESKJOLD	DECK MOTOR
2	2	453943	HUS FOR MOTOR	MOUNTING CAVE OF DECK MOTOR
3	20	453944	SKIVE Ø6	WASHER Ø6
4	20	453945	LÅSESKIVE Ø6	LOCK WASHER Ø6
5	20	453946	BOLT M6X16	HEXAGON BOLT M6X16
6	2	453947	BOLT M8X20	CARRIAGE BOLT M8X20
7	1	453948	BESLAG	DISCHARGE DOOR BRACKET
8	4	453949	MØTRIK M6	FLANGE NUT M6
9	1	453950	KLIPPEBORD	DECK, 38IN
10	2	453951	MØTRIK M8	FLANGE NUT M8
11	1	453952	AFDÆKNING	BRACKET, BUTTERFLY
12	3	453953	BOLT M6X16	CARRIAGE BOLT M6X16
13	2	453954	KNIVHOLDER	BLADE ADAPTER
14	2	453955	BIOKNIV	MULCHING BLADE
15	2	453956	SKIVE	DISC SPRING
16	2	453957	LÅSEMØTRIK M10X1.25 G10	FLANGE LOCK NUT M10X1.25 GRADE 10
17	3	453958	BOLT M6X16	BUTTON HEAD SOCKET SCREW M6X16
18	1	453959	VASKESTUDS	CLEANING INTERFACE
19	2	453960	HJULBOLT	SHOULDER BOLT 3
20	2	453937	FJEDERSKIVE	CORRUGATED GASKET3
21	2	453961	HJUL	WHEEL, DECK, GAGE
22	2	453962	FJEDER	LATCH SPRING
23	2	453963	STROP FOR BIOKLIPSKÆRM	RUBBER STRAP, MULCHING COVER
24	2	453964	BESPÆNDING FOR STROP	ANCHOR, BUNGIE
25	1	453965	SKÆRM FOR BIOKLIP	SIDE DISCHARGE CHUTE
26	1	453966	HÆNGSEL	PIN, HINGE
27	1	453967	FJEDER	TORSION/DISCHARGE SPRING
28	1	453968	SKIVE	RING OF PIN, HINGE
29	2	453969	SKIVE Ø5	BIG WASHER Ø5
30	2	453970	BOLT M6X16	CROSS RECESS PAN HEAD SCREW
31	2	453971	LÅSESKIVE Ø5	LOCK WASHER Ø5
32	1	453972	BOLT M6X40	BUTTON HEAD SOCKET SCREW M6X16
33	2	453917	MØTRIK M8	FLANGE NUT M8
34	1	453973	SKIVE Ø6	BIG WASHER Ø6
35	1	453974	KRAVE	SLEEVE
36	1	453975	BIOKLIP SKÆRM	MULCH PLUG, 38IN DECK
37	3	453976	BOLT M5X12	HEX FLANGE BOLT M5*12
38	1	453977	DÆKSEL	INTERLOCKING SWITCH CVOER
39	2	453978	BOLT M4X30	HEXAGON SOCKET HEAD CAP SCREW M4x30
40	2	453979	BOLT M4X20	HEXAGON SOCKET HEAD CAP SCREW M4x20
41	1	453980	KONTAKT	INTERLOCKING SWITCH
42	1	453981	BESLAG	GRASS DEFLECTOR PRESSING PLATE

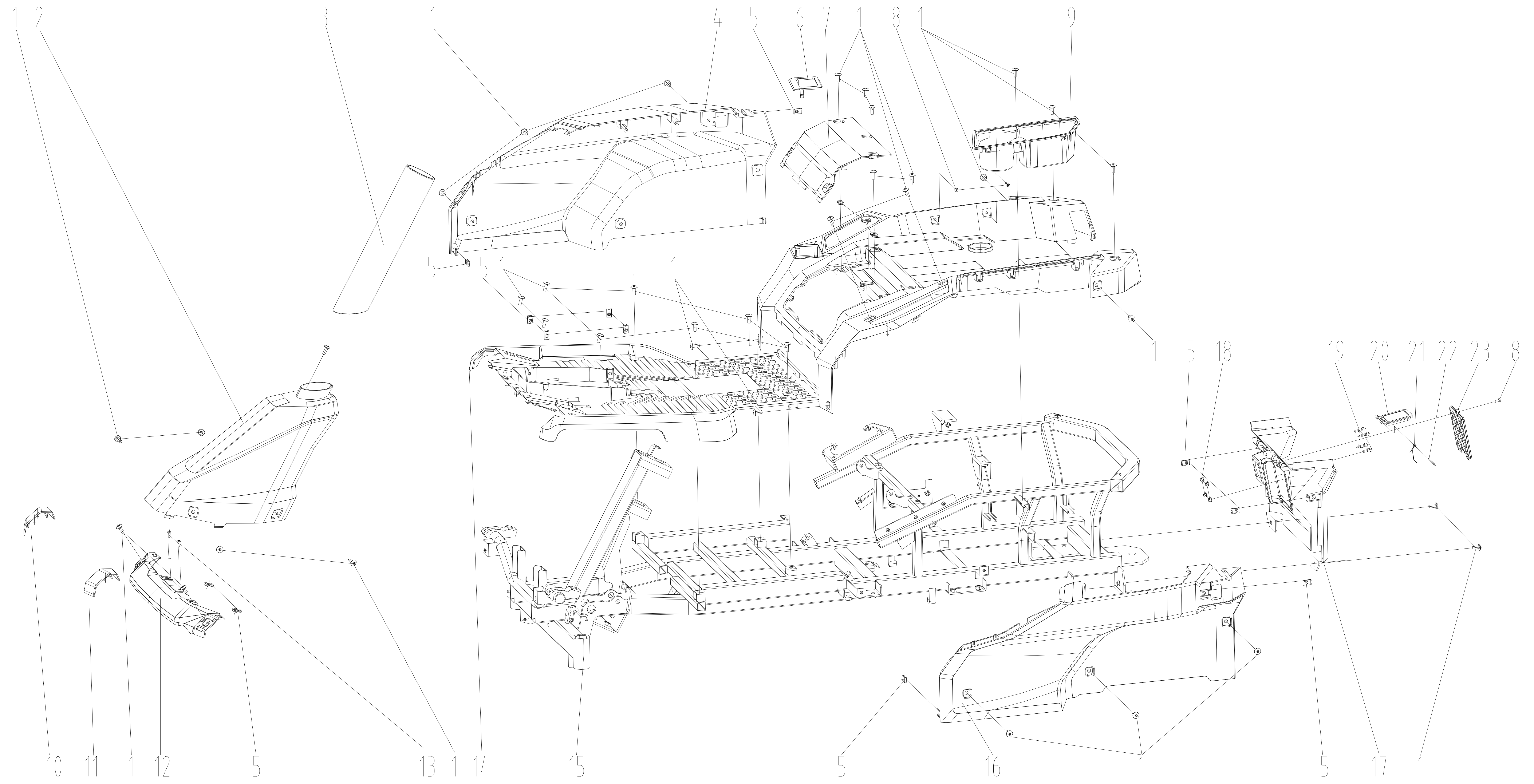
POS	QTY	PARTNUMBER	BESKRIVELSE	DESCRIPTION
43	2	453982	LÅSEMØTRIK M6	LOCK NUT M6



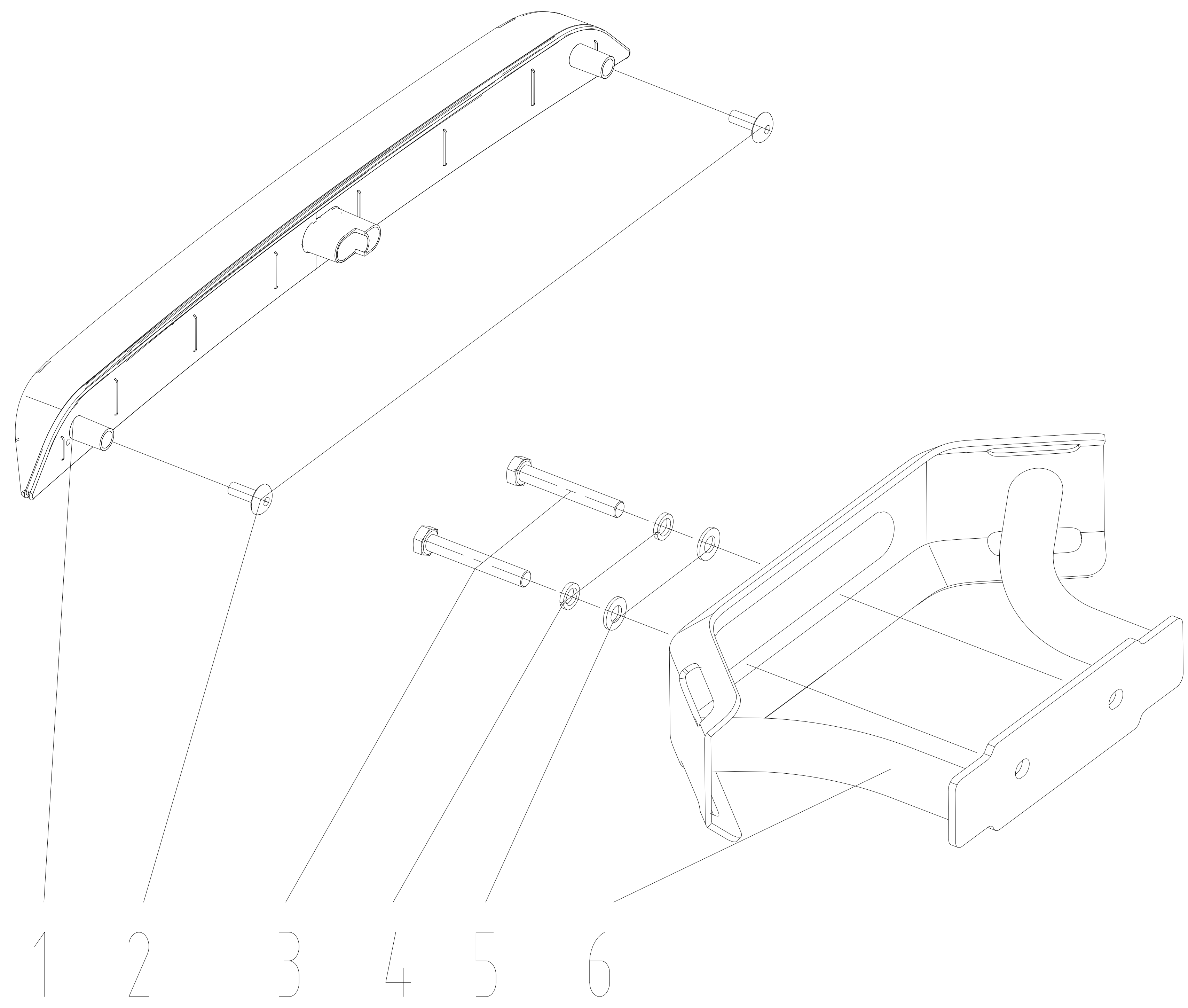
POS	QTY	PARTNUMBER	BESKRIVELSE	DESCRIPTION
1	11	453933	BOLT M8X20	HEXAGON BOLT M8X20
2	11	453932	FJEDERSKIVE Ø8	LOCK WASHER Ø8
3	11	453931	SKIVE Ø8	WASHER Ø8
4	4	453983	BESLAG	FRAME MOUNT, HANGER BRACKET
5	4	453984	BØS	SEMICIRCLE NYLON SPACER/DECK LIFT AXLE B
6	2	453985	STANG	HANGER STUD
7	8	453986	MØTRIK M7	HEX NUT M10
8	2	453987	JUSTERINGS BESLAG	MOUNT, HANGER STUD
9	5	453988	FJEDERSPLIT	LOCKPIN FOR DECK
10	6	453989	SKIVE Ø10	WASHER Ø10
11	2	453990	LØFTESTANG	LIFTING LINKAGE
12	3	453991	NYLONBØS	LIFTING NYLON BUSHING
13	4	453992	AFSTANDBØS	RECTANGLE SEMICIRCLE NYLON SPACER/DECK L
14	2	453993	SPLITBOLT	DECK REAR PIN
15	2	453994	AFSTANDSTYKKE	SPACER, DECK LIFT
16	2	453995	SKIVE Ø16XØ30X1	WASHER Ø17* Ø 30*1
17	2	453996	HESTESKOSIKRING	E-RING 12
18	1	453997	STANG FOR JUSTERING AF OPHÆNG	FRONT J HOOK
19	2	453998	FJEDER	TENSION SPRING FOR DECK LIFT SPRING
20	2	453999	FJEDERSPLIT 10	LOCKPIN 10
21	1	454000	FORBINDELSSESSTANG	REAR DECK LIFT PIVOT ASSEMBLY
22	1	454001	BESLAG FOR FORBINDELSSESSTANG	SHAFT FOR FRONT J HOOK
23	1	453951	MØTRIK M8	FLANGE NUT M8
24	2	454002	FJEDERSPLIT 12	LOCKPIN 12
25	2	454003	SKIVE Ø12	WASHER Ø12
26	1	454004	FJEDER	TORSION SPRING DECK LIFT LEVER
27	1	454005	JUSTERINGSARM	DECK LIFT LEVER ROD
28	1	454006	LØFTEHÅNDTAG	DECK LIFT HANDLE
29	1	454007	PLADE	DETENT PLATE



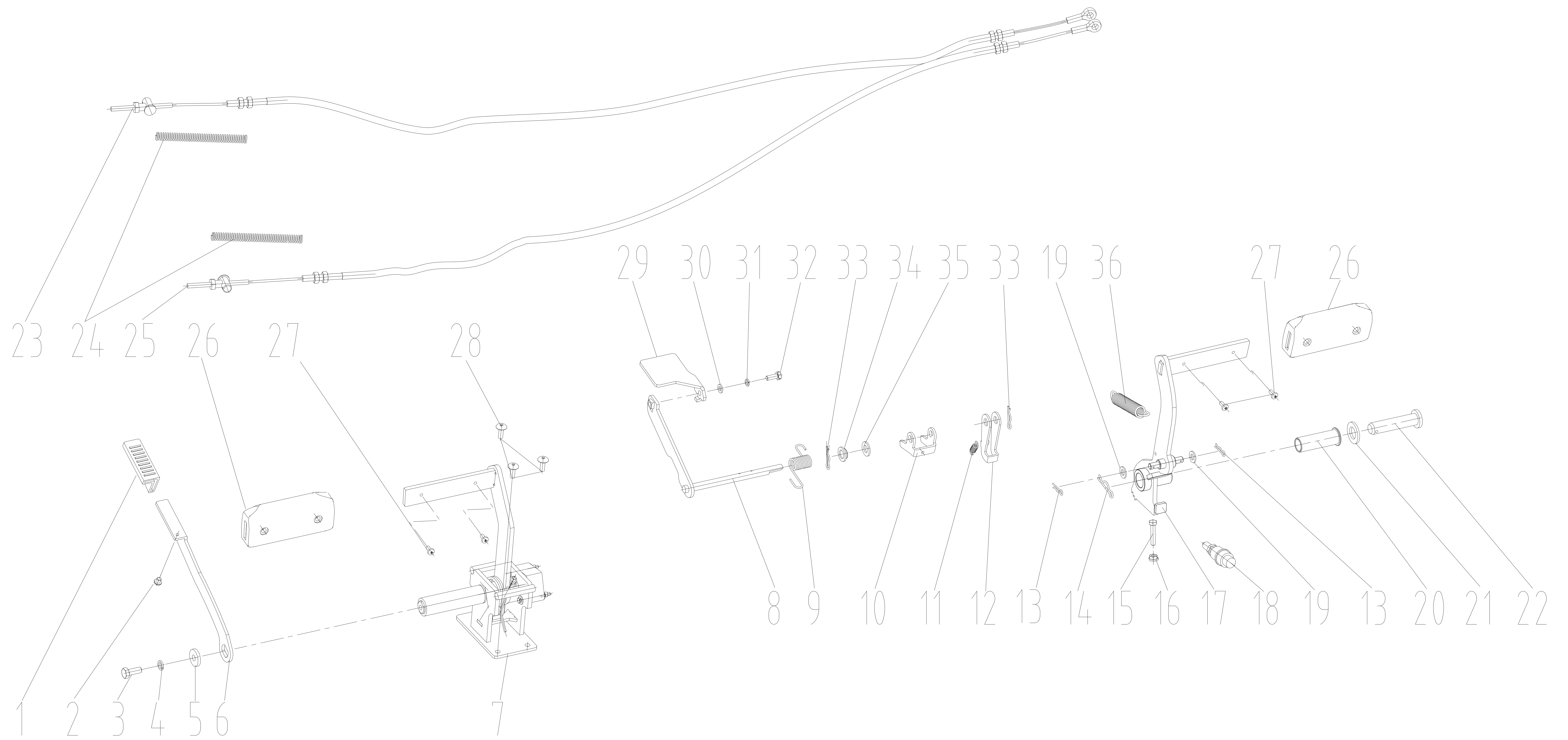
POS	QTY	PARTNUMBER	BESKRIVELSE	DESCRIPTION
1	2	454008	KAPPE	REAR WHEEL HUB COVER
2	8	454009	HJULBOLT	HUB NUT
3	2	454010	BAGHJUL	REAR WHEEL, ASSEMBLY
4	1	454011	AKSEL	REAR AXLE ASSEMBLY
5	4	454012	BOLT M8X25	HEX FLANGE BOLT M8X25
6	4	453917	MØTRIK M8	FLANGE NUT M8
7	2	454013	BOLT M6X20	HEXAGON SOCKET HEAD CAP SCREW M6×25
8	1	454014	DRIVMOTOR	DRIVE MOTOR ASSEMBLY
9	1	454015	PAKNING	SEAL GASKET FOR DRIVE MOTOR
10	2	454016	BOLT M6X20	HEXAGON SOCKET HEAD CAP SCREW M6×20
11	1	454017	BOLT M6X65	HEXAGON SOCKET HEAD CAP SCREW M6×65
12	2	454018	MAGNET	MAGNETIC RING2928-160A



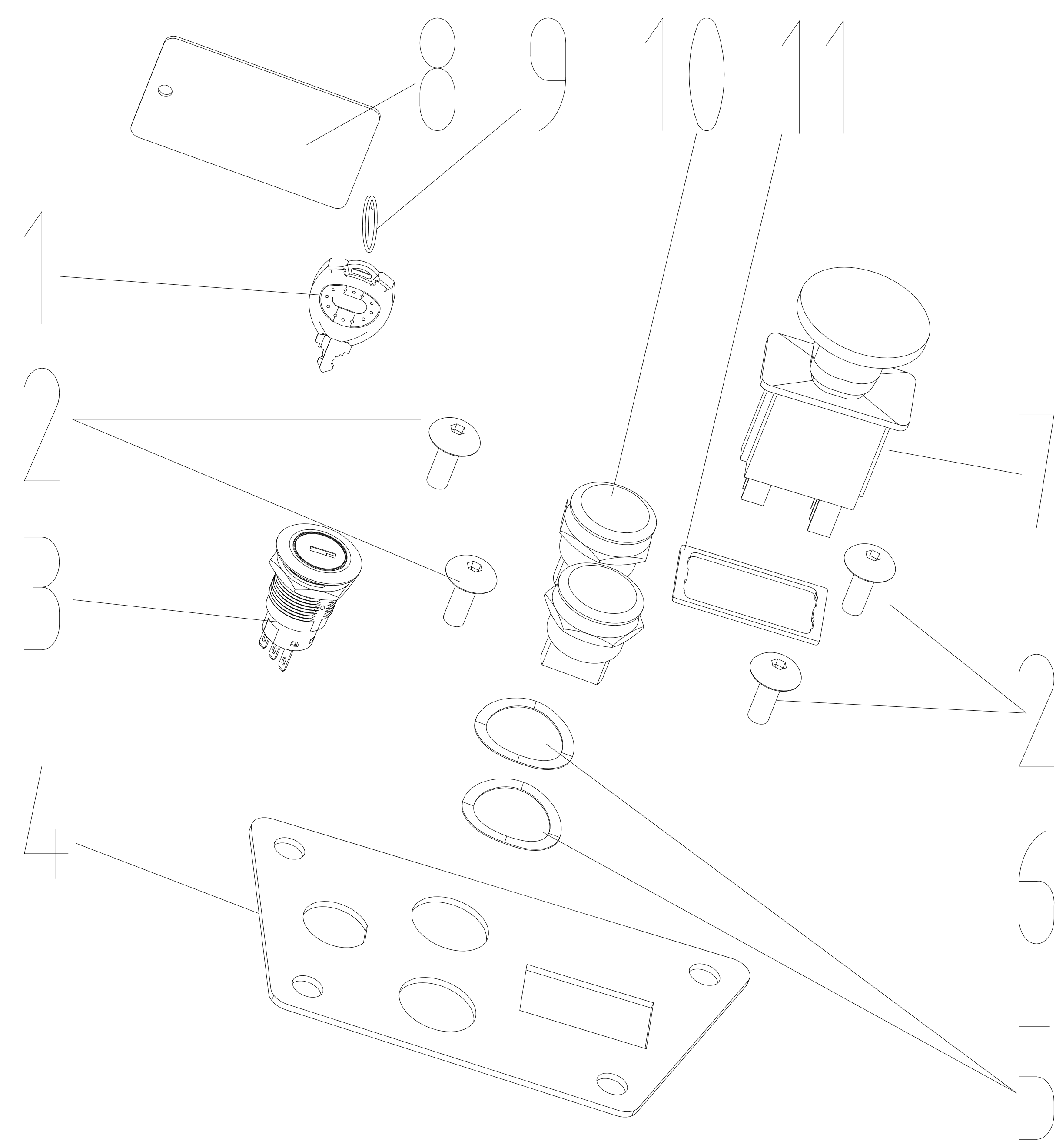
POS	QTY	PARTNUMBER	BESKRIVELSE	DESCRIPTION
1	37	453958	BOLT M6X16	BUTTON HEAD SOCKET SCREW M6X16
2	1	454019	STØTTE TIL STYRTØJ.	FRONT STEERING COLUMN COVER
3	1	454020	RØR TIL STYRESTANG	UPPER STEERING COLUMN COVER
4	1	454021	PANEL HØJRE	RIGHT TRIM COVER
5	15	454022	MØTRIK M6	CLIP-ON NUT M6
6	1	454023	LCD PANEL	LCD COVER
7	1	454024	PANEL FRONT	FRONT ACCESS PANEL
8	2	454025	SELVSKÆRENDE SKRUE	HEXALOBULAR SOCKET PAN HEAD TAPPING SCRE
9	1	454026	KOPHOLDER	CUP HOLDER
10	1	454027	SKÆRM FORREST HØJRE	RIGHT TRIM COVER, FLOOR PAN
11	1	454028	SKÆRM FORREST VENSTRE	LEFT TRIM COVER, FLOOR PAN
12	1	454029	FORSKÆRM	RUNNER PANEL, FRONT
13	1	454030	SKRUE ST4.2X13	CROSS RECESSED PAN HEAD TAPPING SCREWS S
14	1	454031	FODPLADE	FLOOR PANEL
15	1	454032	RAMME	FRAME
16	1	454033	PANEL VENSTRE	LEFT TRIM COVER
17	1	454034	PANEL BAGERST	REAR TRIM COVER
18	4	454035	MØTRIK M5	FLANGE NUT M5
19	4	453970	BOLT M6X16	CROSS RECESS PAN HEAD SCREW
20	1	454036	DÆKSEL FOR LADESTIK	CHARGER PORT DOOR
21	1	454037	FJEDER	CHARGER COVER RESET SPRING
22	1	454038	LÅS FOR DÆKSEL TIL OPLADER	CHARGER COVER PIN
23	1	454039	LADEPORT	REAR ACCESS PANEL



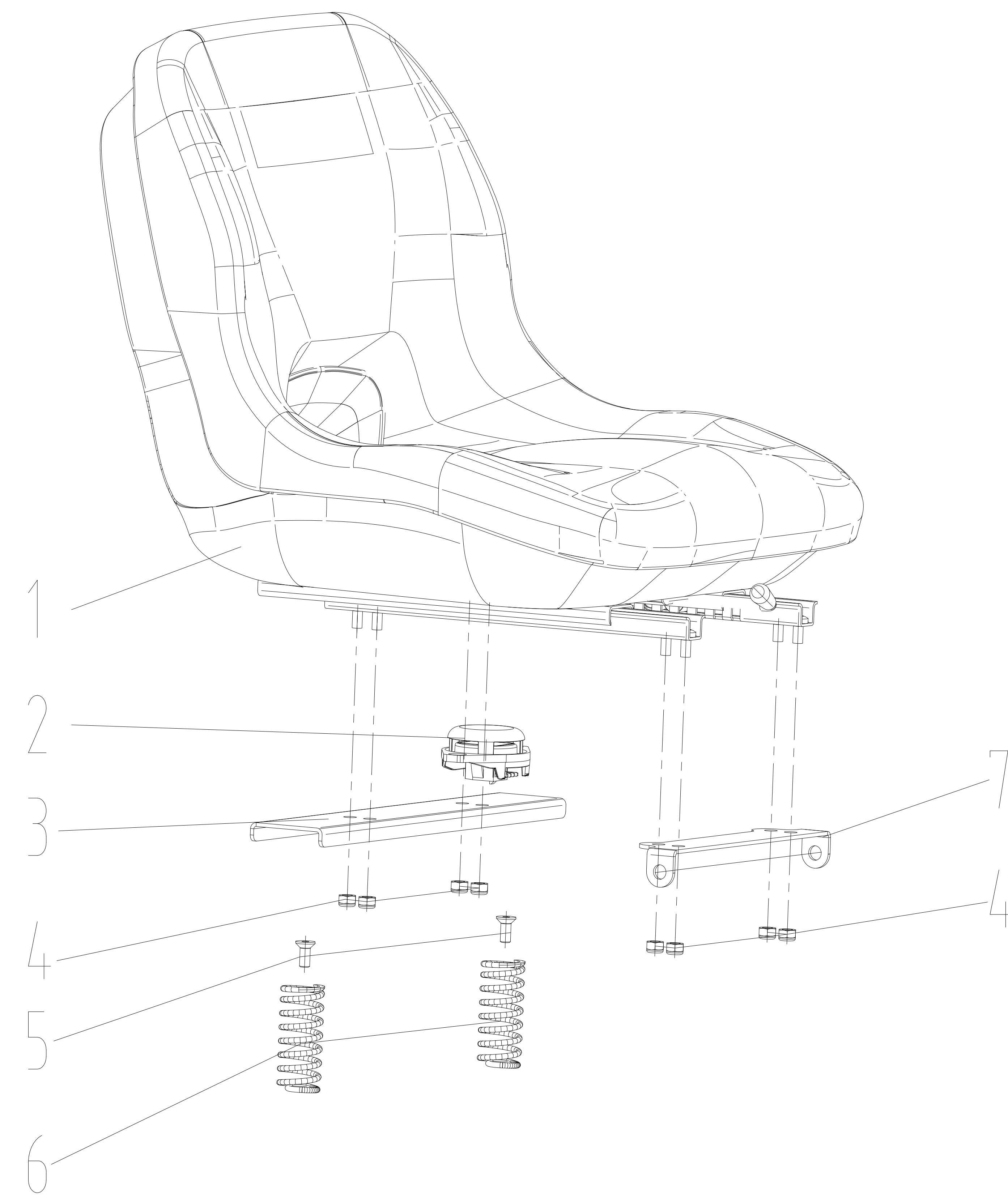
POS	QTY	PARTNUMBER	BESKRIVELSE	DESCRIPTION
1	1	454041	FORLYGTE	LIGHT ASSEMBLY_RIDING MOWER
2	2	453958	BOLT M6X16	BUTTON HEAD SOCKET SCREW M6X16
3	2	454042	BOLT M8X55	HEXAGON BOLT M8X55
4	2	453932	FJEDERSKIVE Ø8	LOCK WASHER Ø8
5	2	453931	SKIVE Ø8	WASHER Ø8
6	1	454043	KOFANGER	FRONT BUMPER



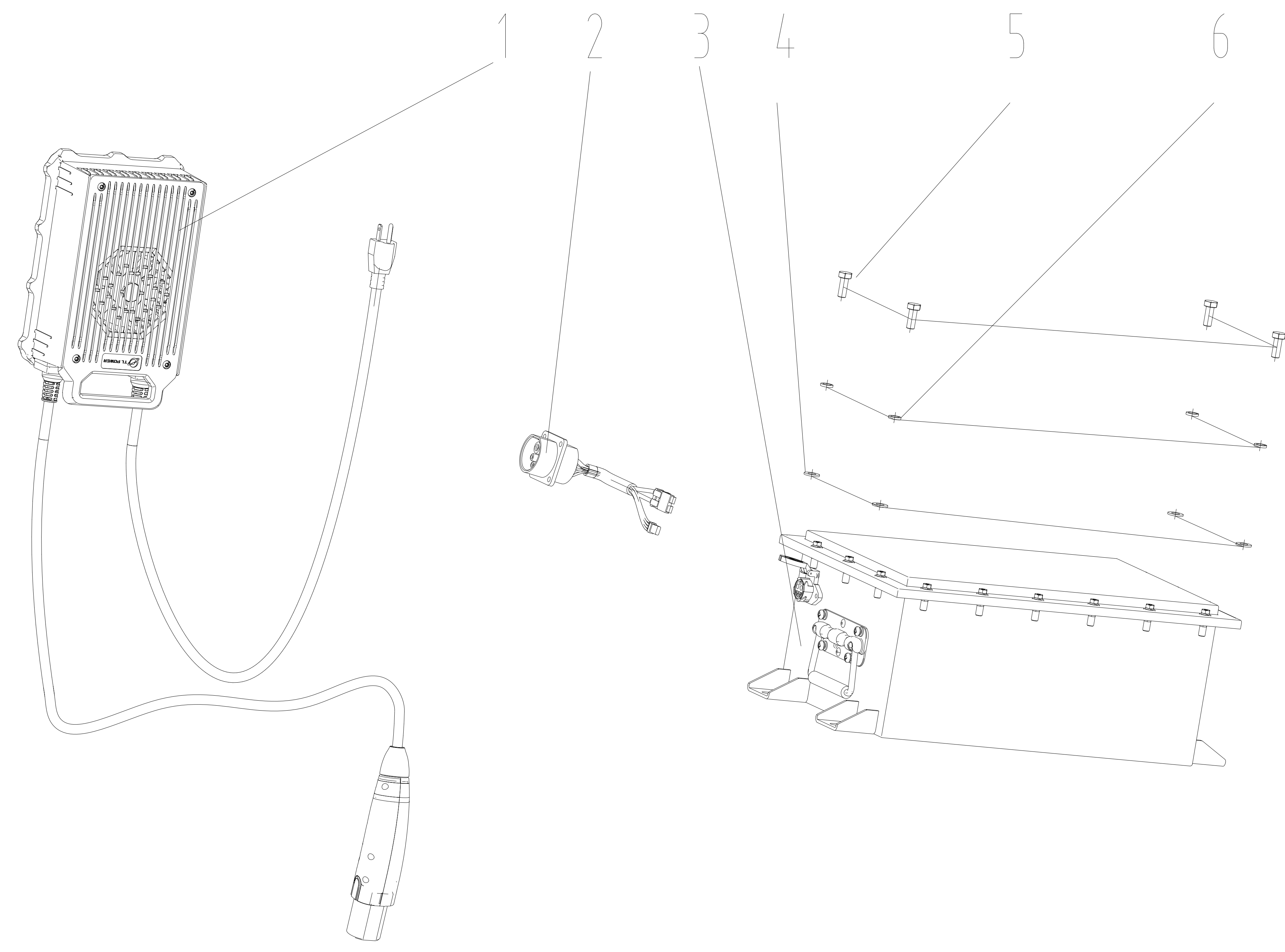
POS	QTY	PARTNUMBER	BESKRIVELSE	DESCRIPTION
1	1	454044	GUMMIOVERTRÆK PEDAL	REVERSE PEDAL COVER
2	1	454045	SKRUE	HEX SOCKET FLAT ROUND HEAD SCREW
3	1	453933	BOLT M8X20	HEXAGON BOLT M8X20
4	1	453932	FJEDERSKIVE Ø8	LOCK WASHER Ø8
5	1	454046	SKIVE	THICK WASHER OF TIE DOWN ROD
6	1	454047	PEDAL FOR BAK	DRIVE REVERSE PEDAL
7	1	454048	ARM GASPEDAL	THROTTLE OPERATION ASSEMBLE
8	1	454049	PARKERINGSBREMSE	PARKING BRAKE PIVOT BRACKET
9	1	454050	FJEDER	TWISTED SPRING OF PARKING BRAKE
10	1	454051	BESLAG FOR GASKONTROL	PARKING BREAK LIMITER
11	1	454052	FJEDER	PARKING BRAKE SPRING
12	1	454053	PLADE FOR PARKERINGSBREMSE	PARKING BREAK LATCH
13	2	454054	LÅSESPLIT 8	LOCKPIN 8
14	1	454055	LÅSESPLIT 16	LOCKPIN 16
15	1	454056	BOLT M6X30	HEX BOLT M6X30
16	1	454057	MØTRIK M6	HEX FLANGE NUT M6
17	1	454058	ARM BREMSEPEDAL	BRAKE_PEDAL_LEVER
18	1	454059	BREMSEKONTAKT	SWITCH, BRAKE
19	2	453931	SKIVE Ø8	WASHER Ø8
20	1	454060	BØS	BUSHING_BRAKE PEDAL
21	1	454061	SKIVE Ø16	WASHER Ø16
22	1	454062	STIFT FOR PEDAL	AXLE PIN_PEDAL
23	1	454063	BREMSEKABEL VENSTRE	BRAKE CABLE LEFT
24	2	454064	FJEDER	COMPRESSED SPRING OF BRAKE CABLE
25	1	454065	BREMSEKABEL HØJRE	BRAKE CABLE RIGHT
26	2	454066	BREMSE PEDAL	BRAKE PEDAL
27	4	454067	BOLT M5X10	CROSS RECESS PAN HEAD SCREW M5X10
28	3	453958	BOLT M6X16	BUTTON HEAD SOCKET SCREW M6X16
29	1	454068	PEDAL PARKERINGSBREMSE	PARKING BREAK PEDAL
30	1	453944	SKIVE Ø6	WASHER Ø6
31	1	453945	LÅSESKIVE Ø6	LOCK WASHER Ø6
32	1	453946	BOLT M6X16	HEXAGON BOLT M6X16
33	2	453999	FJEDERSPLIT 10	LOCKPIN 10
34	1	453991	NYLONBØS	LIFTING NYLON BUSHING
35	1	453989	SKIVE Ø10	WASHER Ø10
36	1	454069	FJEDER	SPRING, ACCELERATION PEDAL



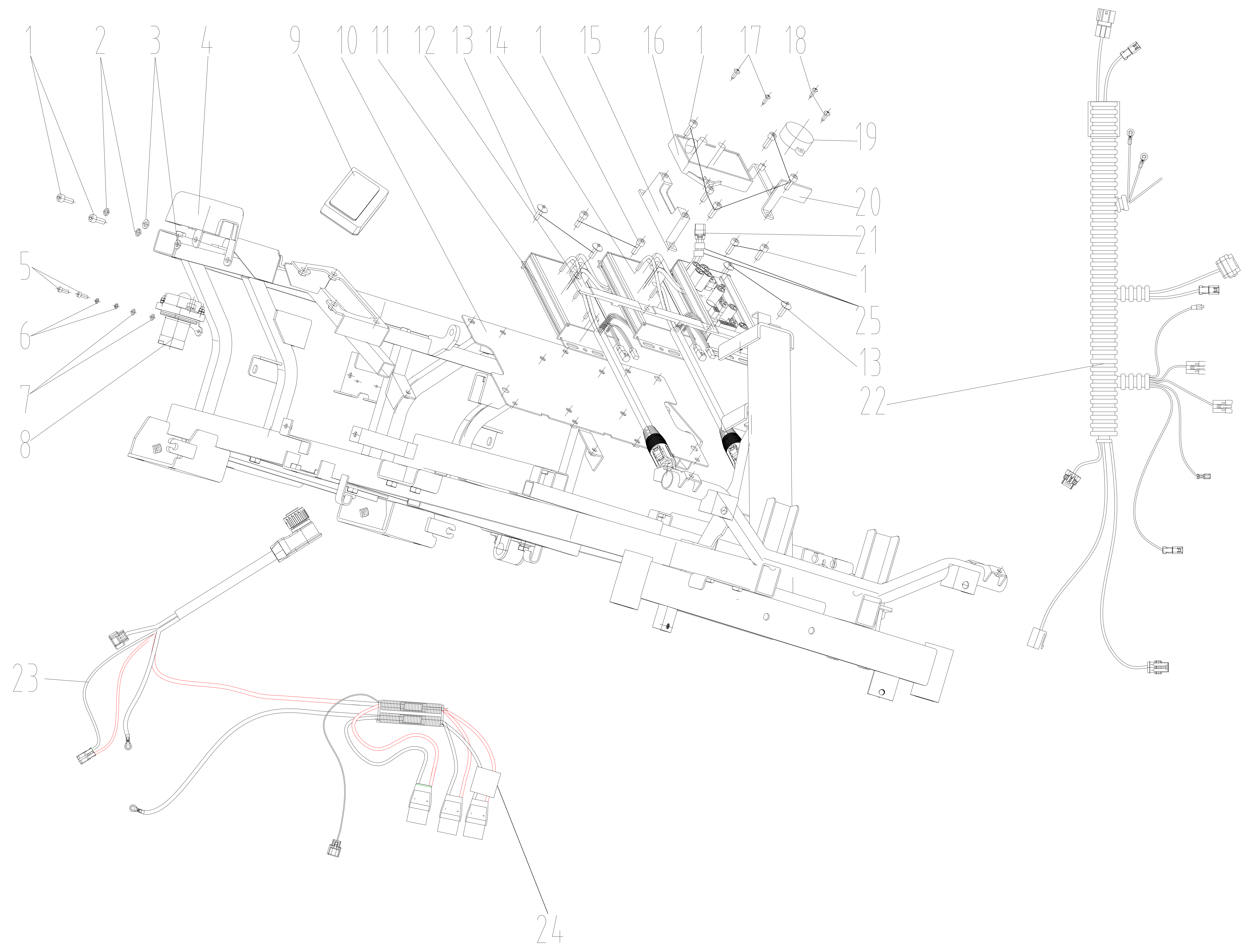
POS	QTY	PARTNUMBER	BESKRIVELSE	DESCRIPTION
1	1	454070	NØGLE	KEY, RIDING MOWER
2	4	453958	BOLT M6X16	BUTTON HEAD SOCKET SCREW M6X16
3	1	454071	KONTAKT	KEY MODULE
4	1	454072	KONTROLPANEL	CONTROL PANEL
5	2	454073	PAKNING	CORRUGATED GASKET2
6	1	454074	KONTAKT FOR LYS	LED_BUTTON_GREEN, HEADLIGHT
7	1	454075	KONTAKT STAR/STOP AF KNIVE	PTO
8	1	454076	LABEL	WATCH_FOR_KIDS_KEYCHAI N_SCREENPRINT
9	1	454077	NØGLERING	KEY RING
10	1	454078	KONTAKT FOR BAKGEAR	REVERSE MOW OPERATION BUTTON
11	1	454079	GUMMIPAKNING	CONTROL PANEL RUBBER WASHER



POS	QTY	PARTNUMBER	BESKRIVELSE	DESCRIPTION
1	1	454080	SÆDE	SEAT ASSEMBLY
2	1	454081	SÆDEKONTAKT	SEAT SWITCH
3	1	454082	BUNDPLADE BAGERST	SEAT BASE PLATE (REAR)
4	8	454083	LÅSEMØTRIK M8	LOCK NUT M8
5	2	454084	BOLT M8X20	HEXAGON SOCKET COUNTERSUNK HEAD SCREWS M
6	2	454085	SÆDEFJEDER	SEAT SPRING
7	1	454086	BUNDPLADE FORREST	SEAT BASE PLATE (FRONT)
8	2	454087	BOLT 8X20X4	SHOULDER BOLT M8X20X4
9	2	453917	MØTRIK M8	FLANGE NUT M8

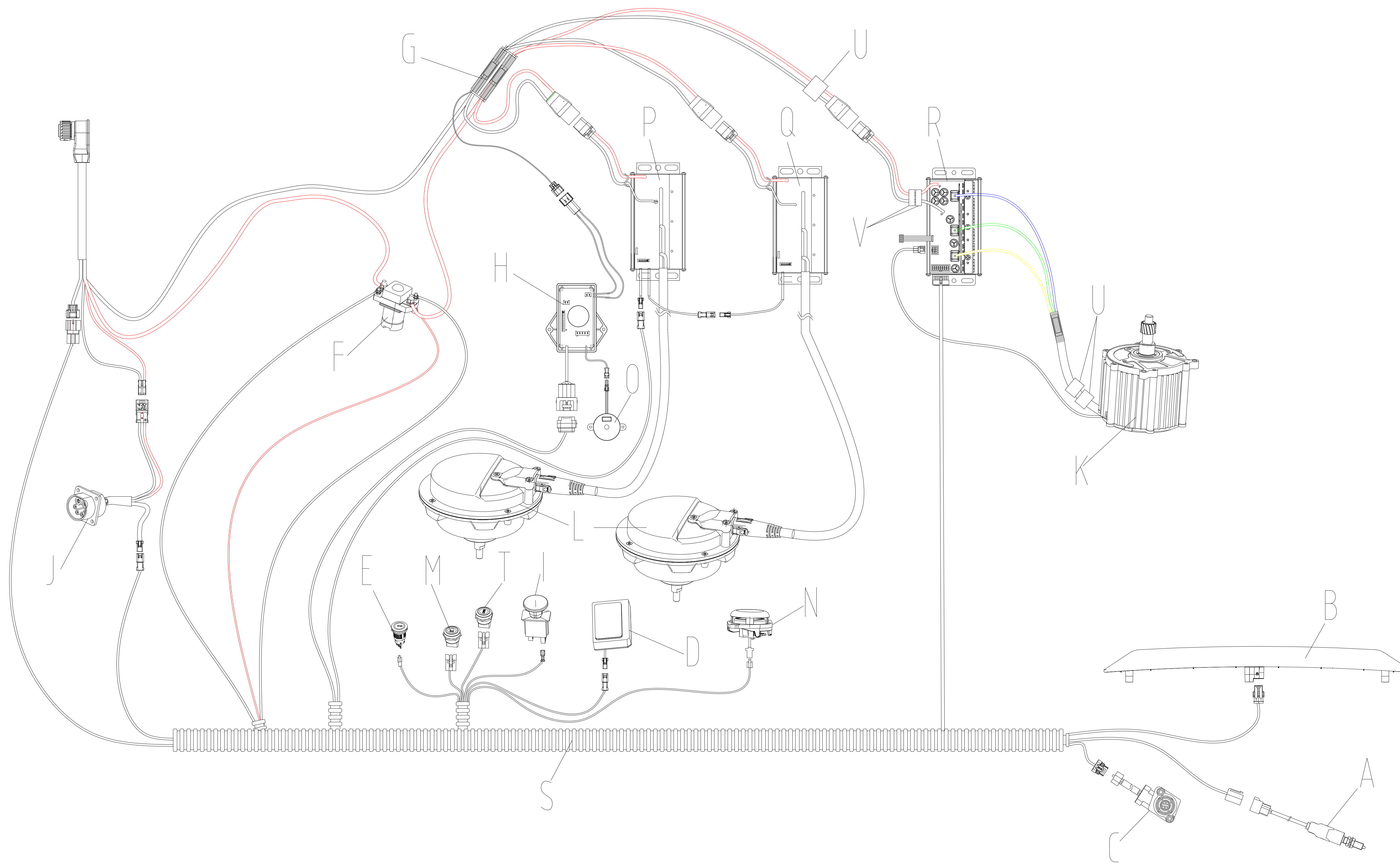


POS	QTY	PARTNUMBER	BESKRIVELSE	DESCRIPTION
1	1	454088	LADER 15A	CHARGER
2	1	454089	LADEKABEL	?????CHARGER RECEPTACLE
3	1	454090	BATTERI 72V/27.6AH	BATTERY
4	4	454091	SKIVE Ø8	BIG WASHER Ø8
5	4	453933	BOLT M8X20	HEXAGON BOLT M8X20
6	4	453932	FJEDERSKIVE Ø8	LOCK WASHER Ø8



POS	QTY	PARTNUMBER	BESKRIVELSE	DESCRIPTION
1	11	454092	UNBRAKOBOLT M6	REVERSE PEDAL COVER
2	2	453945	LÅSESKIVE Ø6	LOCK WASHER Ø6
3	2	453944	SKIVE Ø6	WASHER Ø6
4	1	454093	DÆKSEL FOR RELÆ	MAIN RELAY COVER
5	2	454094	BOLT M4X12	HEXAGON SOCKET HEAD CAP SCREW M4×12
6	2	454095	LÅSESKIVE Ø4	LOCK WASHER Ø4
7	5	454096	SKIVE Ø4	WASHER Ø4
8	1	454097	RELÆ	MAIN RELAY
9	1	454098	LCD SKÆRM	LCD
10	1	454099	PLADE FOR STYREENHED	MOUNTING PLATE FOR CONTROLLERS
11	1	454100	CONTROLLER "MASTER"	DECK MOTOR CONTROLLER, MASTER
12	1	454101	DÆKPLADE FOR CONTROLLER	CONTROLLER COVER PLATE
13	4	453958	BOLT M6X16	BUTTON HEAD SOCKET SCREW M6X16
14	1	454102	CONTROLLER	DECK MOTOR CONTROLLER, SLAVE
15	1	454103	BESLAG FOR CONTROLLER	CENTER CONTROL MOUNTING BRACKET
16	1	454104	MIDTERKONSOL	CENTER CONTROL
17	2	454030	SKRUE ST4.2X13	CROSS RECESSED PAN HEAD TAPPING SCREWS S
18	2	454105	SKRUE	CROSS RECESSED PAN HEAD TAPPING SCREWS
19	1	454106	BAKALARM	BEEPER
20	1	454107	PLADE	BEEPER MOUNTING PLATE
21	1	454108	STIK FOR MOTORSTYRING	DRIVE MOTOR CONTROLLER
22	1	454109	LEDNINGSNET	MAIN WIRING HARNESS
23	1	454110	LEDNING/LADESTIK	MAIN BATTERY CABLE
24	1	454018	MAGNET	MAGNETIC RING2928-160A
25	2	454111	MAGNET	MAGNETIC RING(25*12*15- MB)

WIRING DIAGRAM



- A Brake Switch
- B Headlights
- C Accelerator
- D LCD
- E KEY MODULE
- F Relay
- G MAIN BATTERY CABLE
- H CENTER CONTROL
- I PTO
- J CHARGER RECEPTACLE
- K DRIVE MOTOR ASSEMBLY
- L Deck Motor
- M LED_BUTTON_GREEN, HEADLIGHT
- N Seat Switch
- O Beeper
- P Master Deck Motor Controller
- Q 2Slave Deck Motor Controller
- R Drive Motor Controller
- S Main Wiring Harness
- T RMC Reverse Mow Operation Button
- U (2928-160A)MAGNETIC RING(2928-160A)
- V (25×12×15-MB)MAGNETIC RING(25×12×15-MB)