

2 Knide
REPAIR PARTS MANUAL
32" - 8 H.P. RIDING MOWER
MODEL A3595-010

ONE YEAR LIMITED WARRANTY

For one (1) year from date of purchase by the first consumer for residential use (thirty (30) days commercial use), NOMA Outdoor Products Incorporated warrants that it will replace free of charge, including labor, any original part of any NOMA Outdoor Products Incorporated product found to be defective by any authorized Service Dealer or the factory, except the battery which is warranted for ninety (90) days from date of purchase.

This warranty does not cover engine, transmission, transaxle or differential (these items are covered by their manufacturer's own warranty). This warranty does not cover parts that have failed due to normal wear or parts that have failed subject to misuse or abuse. Transportation of the unit or part to and from an authorized Service Dealer or factory is the responsibility of the owner.

A step by step explanation as to what procedure should be followed for this warranty is:

1. If a part becomes defective, contact the store where the unit was purchased for the name and address of the authorized Service Dealer nearest to you.
2. If you cannot locate an authorized Service Dealer, write Service Department of NOMA Outdoor Products Incorporated for the name and address of the authorized Service Dealer in your area or call the Service Department at 1-901-422-1690.
3. Return the defective product, along with proof of purchase to such authorized Service Dealer for replacement of any defective part where covered by this warranty.

There is no other express warranty. Implied warranties, including those of merchantability and fitness for a particular purpose are limited to one (1) year from date of purchase. Liability for incidental or consequential damages are excluded.

Some states do not allow limitations on how long an implied warranty lasts, so the above limitation may not apply to you. Some states do not allow the exclusion of incidental or consequential damages, so the above exclusion may not apply to you. This warranty gives you specific legal rights, and you may have other rights which vary from state to state.

NOMA Outdoor Products Incorporated

Caller 8000

Jackson, TN 38308-8000

UNIT PARTS AND SERVICE

This manual contains instructions for safety, assembly and maintenance. Read this manual carefully and completely so that you will know proper assembly, use and care of your unit. Also fill in and mail the registration card packed with the unit. For service other than covered in this manual, contact an authorized service dealer. A nationwide parts and service organization has been established to provide locally available parts and service. A list of authorized parts distributors has been included in this manual. When ordering repair parts, always give the following information: 1. The Part Name; 2. The Part Number; 3. The Quantity desired; 4. The Full (eight digit) Model Number of the unit. The model number will be found on a plate attached to the unit.



Look for this symbol. It means - **ATTENTION! BECOME ALERT! A HAZARD TO OPERATOR, BYSTANDER, PROPERTY OR EQUIPMENT MAY EXIST.**

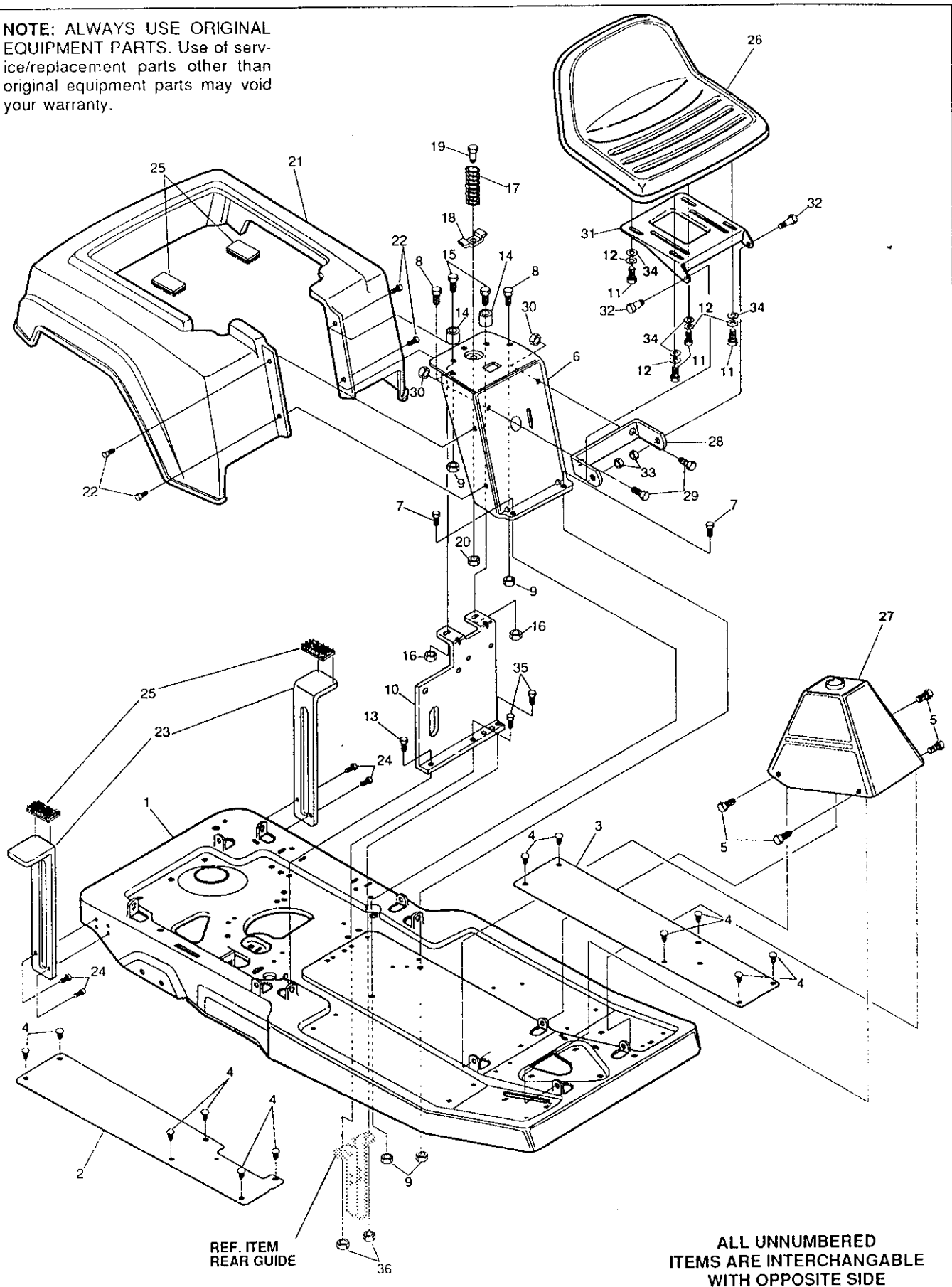
NOMA Outdoor Products Incorporated

Caller 8000

Jackson, TN 38308-8000

32" RIDING MOWER MODEL A3595-010

NOTE: ALWAYS USE ORIGINAL EQUIPMENT PARTS. Use of service/replacement parts other than original equipment parts may void your warranty.



REF. ITEM
REAR GUIDE

ALL UNNUMBERED
ITEMS ARE INTERCHANGABLE
WITH OPPOSITE SIDE

312554 A

32" RIDING MOWER MODEL A3595-010

ALWAYS GIVE THE FOLLOWING INFORMATION WHEN ORDERING REPAIR PARTS:

1. The PART NUMBER; 2. The PART NAME; 3. QUANTITY DESIRED; 4. The MODEL NUMBER (As shown on Model Plate).

SEND PART ORDERS AS PER INSTRUCTIONS ON THE FRONT PAGE.

DO NOT USE KEY NUMBERS WHEN ORDERING REPAIR PARTS, ALWAYS USE PART NUMBERS.

All replacement parts will be supplied in current production colors or in a neutral color.

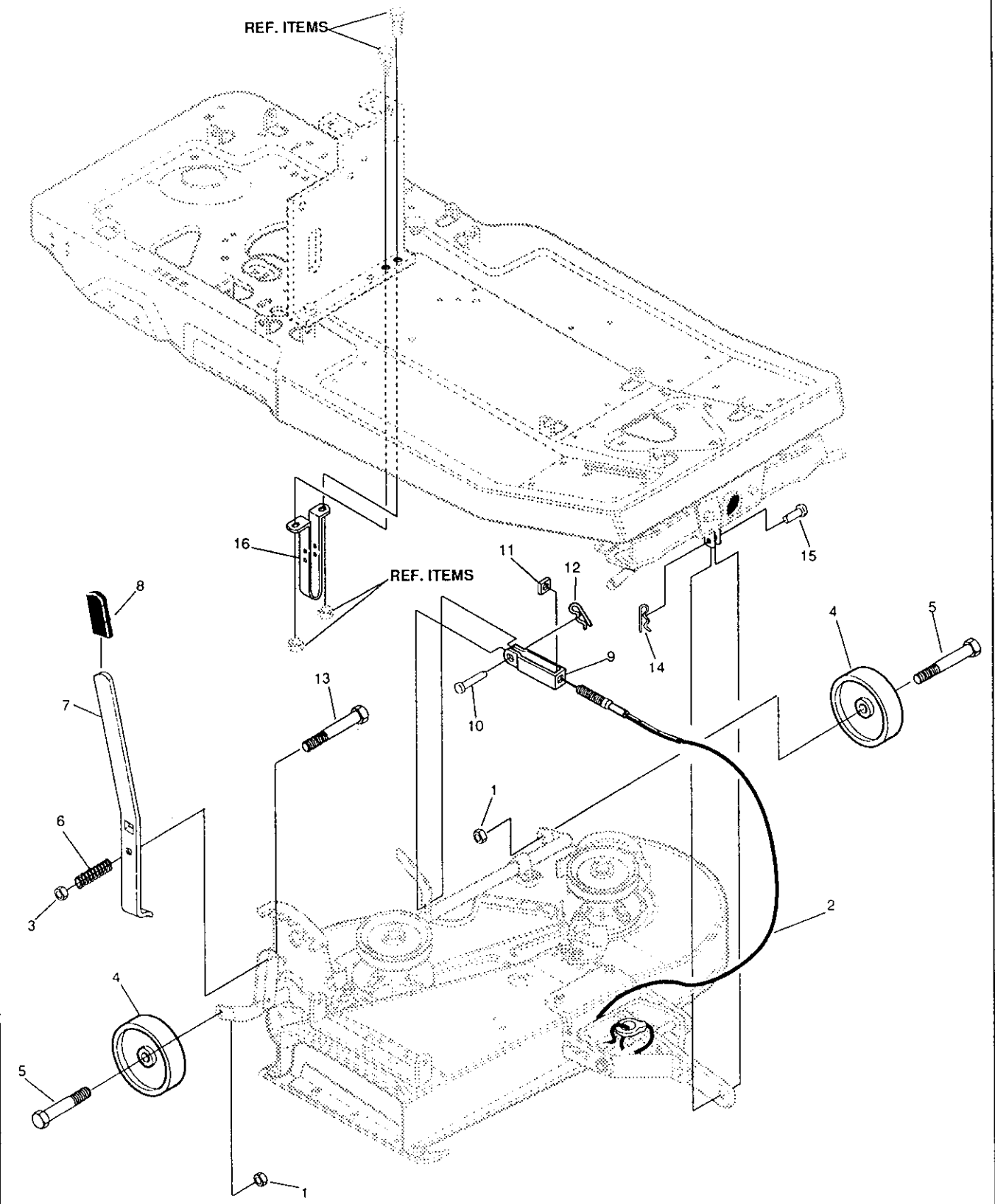
A handling fee is applicable to small parts orders.

YOUR UNIT IS RIGHT HAND (RH) OR LEFT HAND(LH) AS YOUR STAND BEHIND IT.

key#	part#	description	qty.
1	*309614	Frame	1
2	309612	Footpad RH	1
3	309613	Footpad LH	1
4	309235	Fastener, Ratchet	12
5	995346	Screw, 1/4-20 x .50 WA H H Tap	4
6	*310555	Seat Support	1
7	48901	Screw, 5/16-18 x .63 WA H HC GR2	2
8	120228	Screw, 5/16-18 x .63 H HC GR2	2
9	1498	Nut, 5/16-18 Reg H Ctr Lk	4
10	*311108	Seat/Shift Bracket	1
11	122007	Screw, 5/16-18 x .75 HHC GR2	4
12	120638	Washer, HV SP LK .328 x .60 x .11	4
13	35498	Screw, 5/16-18 x .75 WA H H Tap	1
14	50520	Spacer	2
15	122017	Screw, 5/16-18 x 1.00 H HC GR2	2
16	1498	Nut, 5/16-18 Reg H Ctr Lk	2
17	301132	Seat Spring	1
18	9416	Clamp, Spring	1
19	120706	Screw, 1/4-20 x .50 H HC GR2	1
20	1502	Nut, 1/4-20 Reg Hex Ctr Lk	1
21	305587	Fender	1
22	44811	Screw, 1/4-20 x .75 H WA Tap	4
23	305645	Fender Support	2
24	995346	Screw, 1/4-20 x .50 WA H H Tap	4
25	12599	Fastener, Velcro, 2" x 1"	2
26	304315	Seat1	
27	55454	Console	1
28	*301330	Seat Brkt	1
29	180117	Screw, 3/8-16 x .56 HHC	2
30	1499	Nut, 3/8-16 REG HX CTR LK	2
31	*310447	Seat Plate	1
32	20507	Bolt, .437 x .156 HH SH 5/16-18	2
33	1498	Nut, 5/16-18 REG HEX CTR LK	2
34	120393	Washer, Flat .344 x .69 x .065	4
35	120229	Screw, 5/16-18 x .88 H HC GR2	2
36	1498	Nut, 5/16-18 Reg H Ctr Lk	2
37	312969	Repair Parts Manual (not illustrated)	1
38	312233	Operator's Manual (not illustrated)	1

* Raw part number. For a list of Painted part numbers refer to chart on decal page.

BOLD descriptions on parts page apply to box items and/or parts bag items.



NOTE: ALWAYS USE ORIGINAL EQUIPMENT PARTS. Use of service/replacement parts other than original equipment parts may void your warranty.

ALL UNNUMBERED ITEMS ARE INTERCHANGABLE WITH OPPOSITE SIDE

32" RIDING MOWER MODEL A3595-010

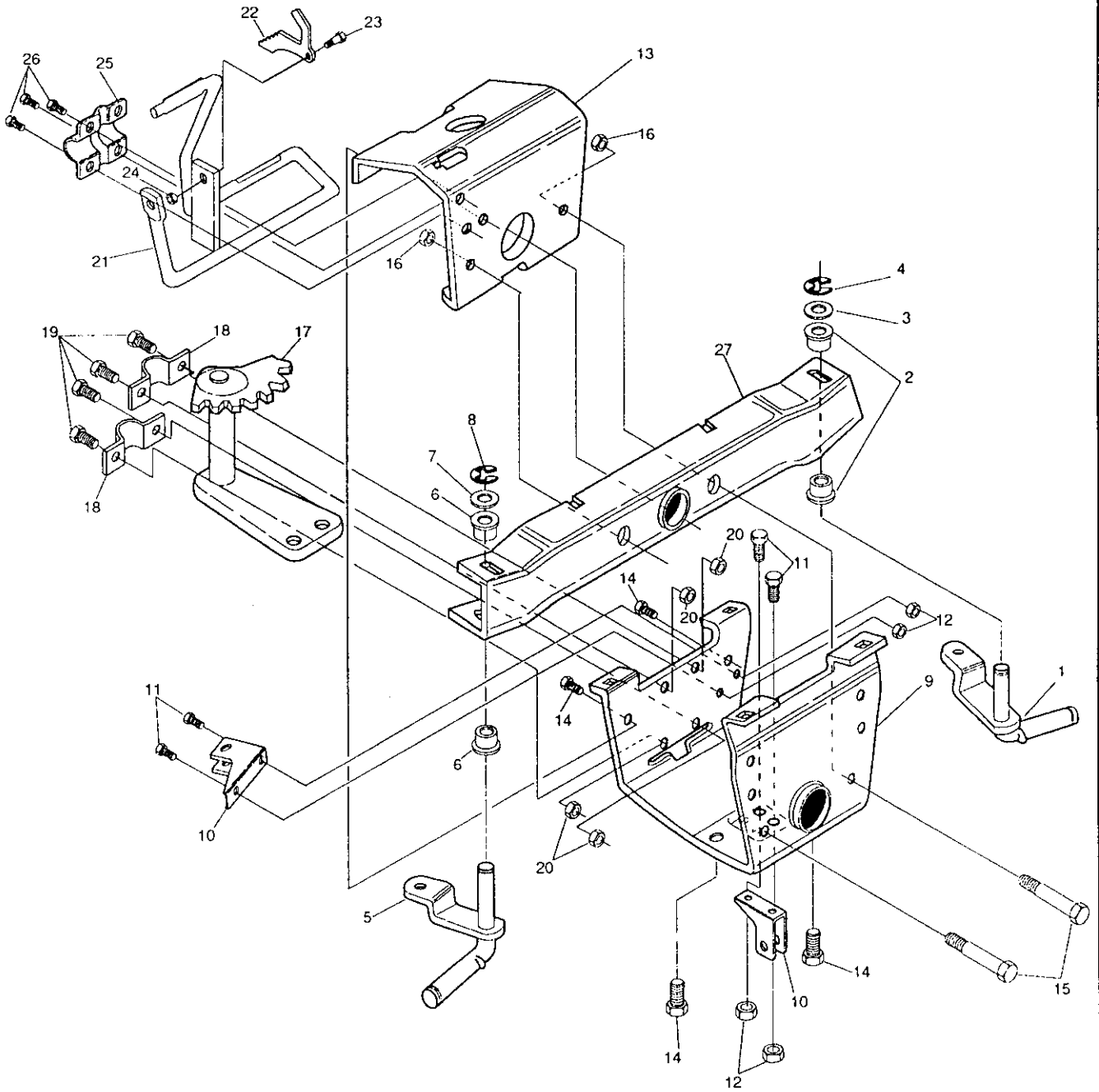
key#	part#	description	qty.
1	1499	Locknut, 3/8-16 REG HX CTR LK	2
2	57511	Lift Cable Assy.,	1
3	1498	Locknut, Hex, 5/16-18	1
4	52584	Wheel, SD 6.00 X 1.38 WD	2
5	23763	Bolt .500 X 1.39 HH SH 3/6-16	2
6	53246	Spring, Height Adjust Lever	1
7	8903	Lever, Height Adjust	1
8	53995	Hand Grip, Height Adjust Lever	1
9	9405	Clevis, Lift Cable	1
10	39522	Pin, Clevis	1
11	120372	Nut, Square, 1/4-20	1
12	8260	Hairpin Cotter	1
13	120696	Screw, 5/16-18 x 2.25 HH C	1
14	47816	Pin, .495 x 1.750 Clevis	1
15	56180	Pin, Hair	1
16	300574	Guide, Deck	1

* Raw part number. For a list of Painted part numbers refer to chart on decal page.

BOLD descriptions on parts page apply to box items and/or parts bag items.

32" RIDING MOWER MODEL A3595-010

NOTE: ALWAYS USE ORIGINAL EQUIPMENT PARTS. Use of service/replacement parts other than original equipment parts may void your warranty.



**ALL UNNUMBERED
ITEMS ARE INTERCHANGABLE
WITH OPPOSITE SIDE**

310567 A

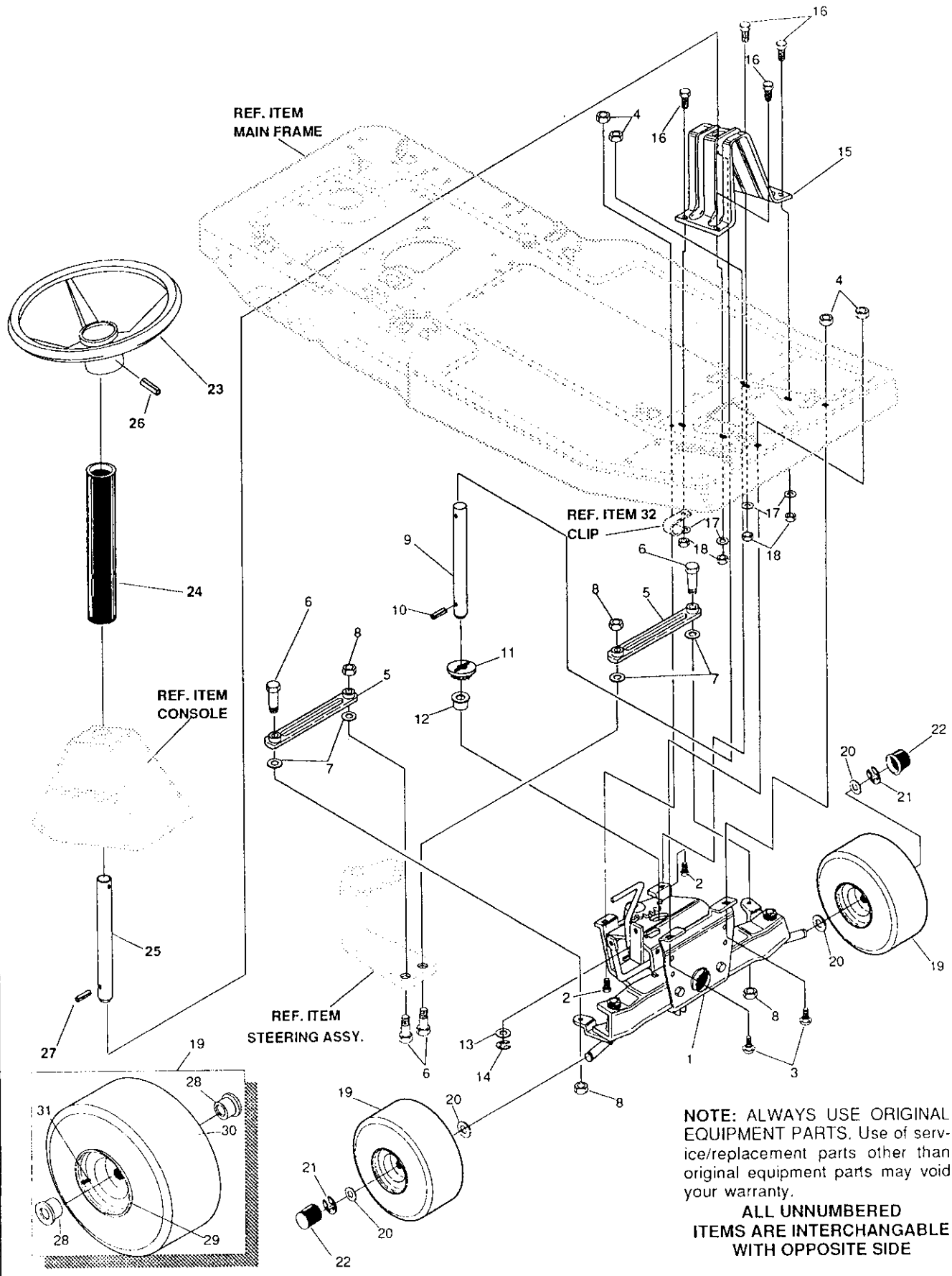
32" RIDING MOWER MODEL A3595-010

key#	part#	description	qty.
1	303147	Assembly Spindle L.H.	1
2	12552	Bushing, Spindle	2
3	4107	Washer, Flat .635 x 1.31 x .07	2
4	20859	Ring, Ret E. .48 x .04 TRU 5133-62	1
5	303148	Assembly Spindle, R.H.	1
6	12552	Bushing, Spindle	2
7	4107	Washer, Flat .635 x 1.31 x .07	2
8	20859	Ring, Retaining E. .48 x .04TRU 5133-62	1
9	310382	Bracket, Axle, Outer Front	1
10	302800	Hanger	2
11	120228	Screw, 5/16-18 x .63 HHC GR2	4
12	1498	Nut, 5/16-18 Reg H Ctr Lk	4
13	302799	Axle Bracket, Inner	1
14	35497	Screw, 5/16-18 x .50 WAHH Tap	4
15	122201	Screw, 3/8-16 x 2.75 H HC GR 2	2
16	1499	Nut, 3/8-16 Reg HX Ctr Lk	2
17	302958	Steering Assembly	1
18	302760	Clamp, .625 Dia.	2
19	120228	Screw, 5/16-18 x .63 H HC GR2	4
20	1498	Nut, 5/16-18 Reg Hex Ctr Lk	4
21	303149	Brake Arm Assembly	1
22	302955	Latch, Parking Brake	1
23	3275	Bolt, .373 x .140 H H SH 1/4-20	1
24	1502	Nut, 1/4-20 Reg H Ctr Lk	1
25	44112	Bracket, Clutch and Brake	1
26	35497	Screw, 5/16-18 x .50 WA H H Tap	4
27	303066	Front Axle Assembly	1

* Raw part number. For a list of Painted part numbers refer to chart on decal page.

BOLD descriptions on parts page apply to box items and/or parts bag items.

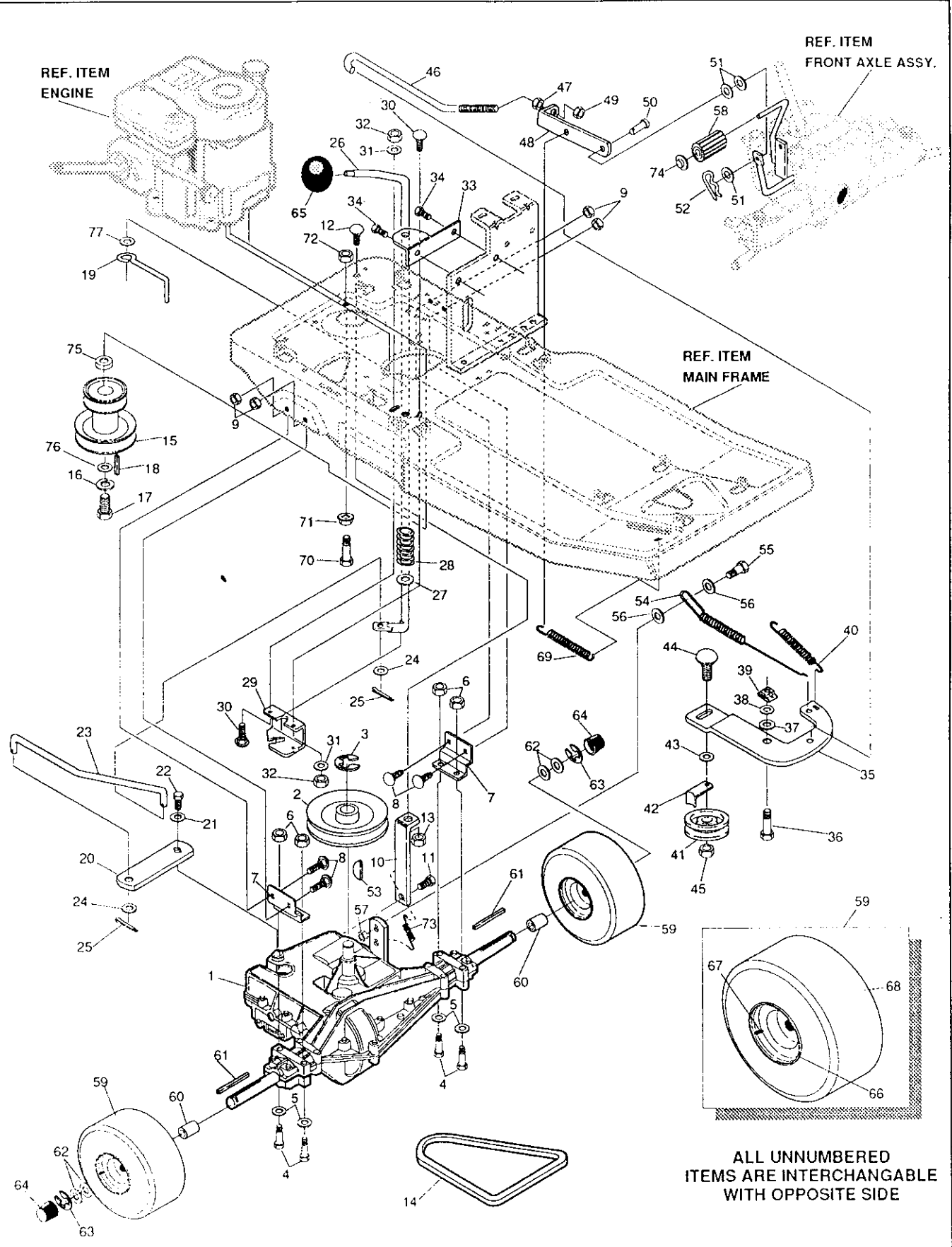
32" RIDING MOWER MODEL A3595-010



NOTE: ALWAYS USE ORIGINAL EQUIPMENT PARTS. Use of service/replacement parts other than original equipment parts may void your warranty.

ALL UNNUMBERED ITEMS ARE INTERCHANGABLE WITH OPPOSITE SIDE

32" RIDING MOWER MODEL A3595-010



NOTE: ALWAYS USE ORIGINAL EQUIPMENT PARTS. Use of service/replacement parts other than original equipment parts may void your warranty.

ALL UNNUMBERED ITEMS ARE INTERCHANGABLE WITH OPPOSITE SIDE

312552 A

32" RIDING MOWER MODEL A3595-010

key#	part#	description	qty.
1	*310567	Front Axle Assy.	1
2	122007	Screw, 5/16-18 x .75 H HC GR2	2
3	126211	Bolt, 5/16-18 x .63 Carr GR2	2
4	45174	Nut, 5/16-18 Hex Wd Fl Lk Whiz	4
5	303140	Tie Rod,	2
6	122145	Screw, 3/8-16 x 1.25 H HC GR2	4
7	120382	Washer, Reg Spt Lk .393 x .68 x .10	4
8	1499	Nut, 3/8-16 Reg Hx Ctr Lk	4
9	302768	Shaft Steering	1
10	454565	Pin, Spring .250 Dia. x 1.25 Lg	1
11	302766	Gear, Pinion	1
12	304010	Bushing-Steering	1
13	4107	Washer, Flat .635 x 1.31 x .07	1
14	20859	Ring, Retaining E .48 x .04 TRU 5133-62	1
15	305023	Support, Steering Shaft	1
16	48901	Screw, 5/16-18 x .63 WA H HC GR2	4
17	120393	Washer, Flat .344 x .69 x .065	4
18	1498	Nut, 5/16-18 Reg Hex Ctr Lk	4
* 19	305508	Tire & Rim, Pneumatic 11 x 4.00-5	2
20	40677	Washer, Flat .640 x 1.25 x .06	4
21	20859	Ring, Retaining E .48 x .04 TRU 5133-62	2
22	36832	Hub Cap	2
23	52955	Wheel, Steering,	1
24	310851	Tube, Decorative	1
25	300796	Tube - Steering	1
26	456836	Pin, Spring .250 DIA x 2.75 LG	1
27	417375	Pin, Spring .187 DIA x 1.25 LG MD	1
28	301137	Bearing, Wheel	2
29	301175	Wheel	1
30	42295	Tire 11 x 4 - Turf	1
31	24167	Valve Stem	1

* Raw part number. For a list of Painted part numbers refer to chart on decal page.

BOLD descriptions on parts page apply to box items and/or parts bag items.

Stange T 114005 11X400-5

32" RIDING MOWER MODEL A3595-010

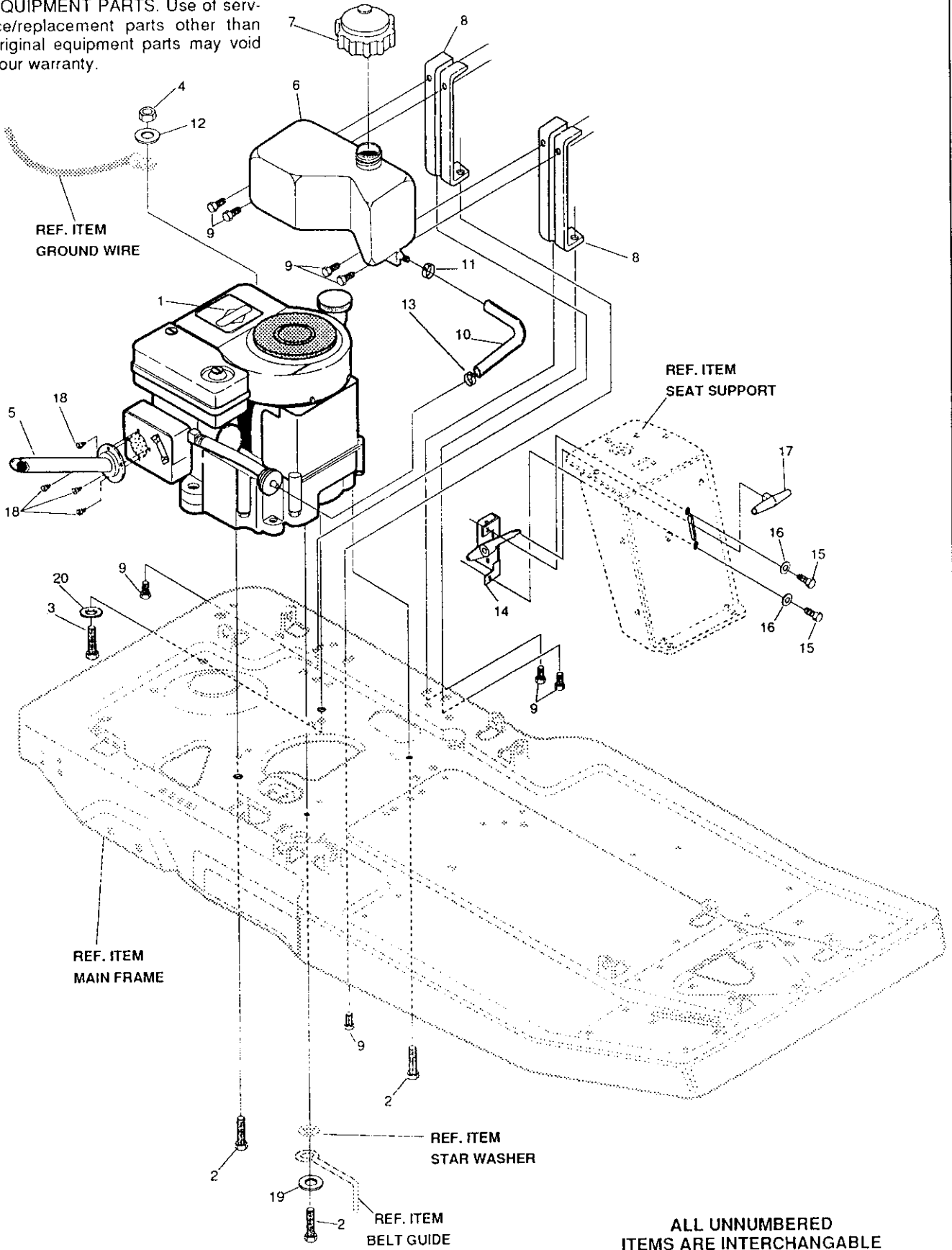
key#	part#	description	qty.
1	309064	Transaxle	1
2	303109	Pulley, Transaxle	1
3	22053	Ring, RETEX .58 x .04 TRU 5100-62	1
4	122077	Screw, 5/16-18 x 2.50 HHC GR2	4
5	120393	Washer, Flat .344 x .69 x .065	4
6	1498	Nut, 5/16-18 REG HEX CTR LK	4
7	9796	Bracket, Transaxle	2
8	126211	Bolt, 5/16-18 x .63 CARR	4
9	1498	Nut, 5/16-18 REG HEX CTR LK	4
10	300587	Bracket, Transaxle Support	1
11	35498	Screw, 5/16 - 18 x .75 WA HH TAP	1
12	126211	Bolt, 5/16-18 x .63 CARR	1
13	1498	Nut, 5/16 - 18 REG HEX CTR LK	1
14	300575	Belt, V 4L	1
15	300577	Pulley, ENG 3.92 OFF/3.87 D/3.00D	1
16	120383	Washer, REG SPT LK .459 x .78 x .12	1
17	181403	Screw, 7/16-20 x 1.00 HHC	1
18	33200	Key, Square .249 SQ x 1.50 Lg	1
19	55488	Belt Guide	1
20	9290	Shift Lever, Brkt	1
21	57157	Washer, .750 x .250	1
22	56255	Screw, 1/4-28 x .75 NYL HH CGR8	1
23	309410	Rod, Shift Connecting	1
24	120394	Washer, Flat .406 x .81 x .065	2
25	137185	Pin, Cotter .125 DIA X 1.00 LG	2
26	309255	Handle, Shift	1
27	120396	Washer, Flat .531 x 1.06 x .095	1
28	301133	Spring, Shift Lever	1
29	309053	Bracket Detent Shift	1
30	126216	Bolt, 5/16-18 x .75 CARR	2
31	120393	Washer, Flat .344 x .69 x .065	2
32	1498	Nut, 5/16-18 REG HEX CTR LK	2
33	303098	Shift Control Brkt.	1
34	995346	Screw, 1/4-20 x .50 WA HH TAP	2
35	12585	Arm, Idler, Transaxle Drive	1
36	41890	Bolt, .625 x .218 HH SH 5/16-18z	1
37	4107	Washer, Flat .635 x 1.31 x .07	1
38	45602	Washer, Flat .333 x .87 x .119	1
39	301124	Tinnerman Clip	1
40	35410	Spring .071 x .62 x 4.37	1
41	35374	Pulley, Idler	1
42	39659	Retainer, Strap Belt	1
43	274517	Washer, Flat .406 x .73 x .063	1
44	45892	Bolt, 3/8-16 x 1.50 CARR	1
45	1499	Nut, 3/8-16 REG HX CTR LK	1
46	303138	Rod Clutch	1
47	271184	Nut, 5/16-18 HEX KEPS	1
48	12591	Brkt. Clutch Brake	1
49	1498	Nut, 5/16-18 REG HEX CTR LK	1
50	39522	Pin Clevis .312 x .812	1
51	120393	Washer, Flat .344 x .69 x .065	3
52	8260	Pin, Hair .091 DIA x 1.66 LG	1
53	3021	Key, Woodruff	1
54	309251	Spring, Brake	1
55	25086	Bolt, .500 x .375 HH SH 5/16-18	1
56	308188	Washer, Flat .515 x 1.31 x .09	2
57	1498	Nut, 5/16-18 REG HEX CTR LK	1
58	52840	Pedal Pad	1
59	41082	Tire & Rim, Pnuematic —	2
60	310333	Spacer,	2
61	39628	Key, Square .187 SQ x 2.5 OLG	2
62	42815	Washer, Flat .755 x 1.53 x .07	4
63	36625	Ring, RET EX .57 x .05 TRU5133-75	2
64	40394	Cap, Hub	2
65	55514	Shift Knob	1
66	36182	Wheel	1
67	24167	Valve Stem	1
68	41081	Tire 16 x 6.50 - 8 Turf	1
69	53704	Spring, 536 OD x .047 x 3.4	1
70	122077	Screw, 5/16-18 x 2.50 HHC GR2	1
71	271184	Nut, 5/16-18 HEX KEPS	1
72	1498	Nut, 5/16-18 REG HEX CTR LK	1
73	310155	Spring, Brake Return	1
74	44582	Cap, Push Nut	1
75	300589	Spacer, Engine Sheave	1
76	428831	Washer, Flat .469 x 1.46 x 1.00	1
77	138485	Washer, EX LK .320 x .61 x .03	1

* Raw part number. For a list of Painted part numbers refer to chart on decal page.

BOLD descriptions on parts page apply to box items and/or parts bag items.

32" RIDING MOWER MODEL A3595-010

NOTE: ALWAYS USE ORIGINAL EQUIPMENT PARTS. Use of service/replacement parts other than original equipment parts may void your warranty.



ALL UNNUMBERED ITEMS ARE INTERCHANGABLE WITH OPPOSITE SIDE

312551 C

32" RIDING MOWER MODEL A3595-010

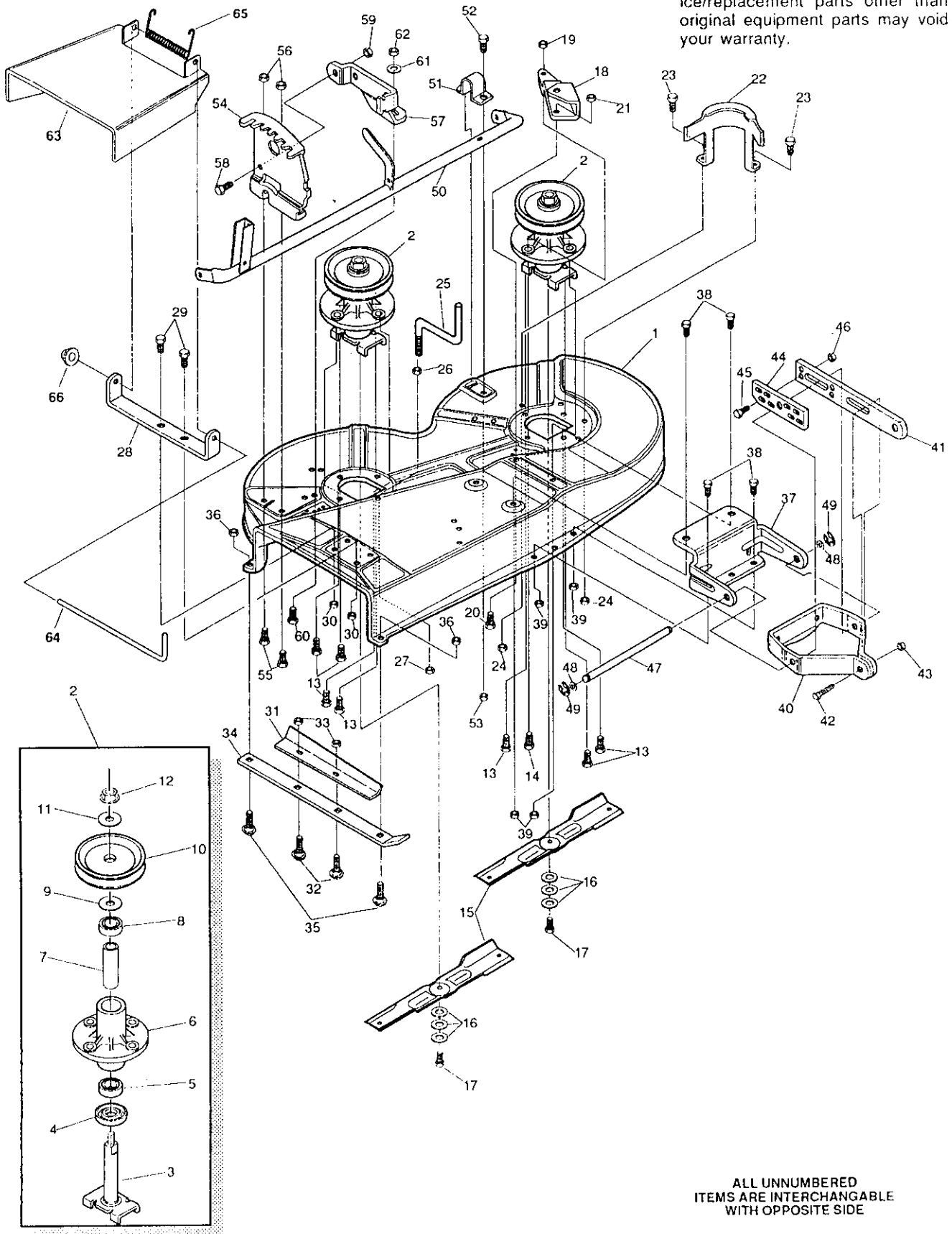
key#	part#	description	qty.
1	304973	Engine	1
2	48148	Screw, 3/8-16 x 1.000 WD FL LK	3
3	180083	Screw, 5/16 - 18 x 1.50 HHC	1
4	44108	Nut, 5/16 - 18 H WD FL LK	1
5	309960	Exhaust Assy.	1
6	303252	Tank, Gas-Elec, 1.3 GAL	1
7	12501	Cap, Fuel -2.5 Throat	1
8	305149	Support, Gas Tank	2
9	995346	Screw, 1/4-20 x .50 WA HH TAP	8
10	47452	Gas Line .25 ID Bulk Length	15 in.
11	47345	Clamp, Hose	1
12	120393	Washer, Flat .344 x .69 x .065	1
13	48672	Clamp, Fuel Line	1
14	301141	Control, Throttle <i>KPL TEXO</i>	1
15	35287	Screw #8-32 x .38 HH WA TAP	2
16	414106	Washer, Flat .188 x .38 x .040	2
17	39486	Throttle Control Knob-T Shape	1
18	57366	Screw, Drill Tite	4
19	120394	Washer, Flat .406 x .81 x .065	1
20	138485	Washer, EX LK .320 x .61 x .03	1

* Raw part number. For a list of Painted part numbers refer to chart on decal page.

BOLD descriptions on parts page apply to box items and/or parts bag items.

32" RIDING MOWER MODEL A3595-010

NOTE: ALWAYS USE ORIGINAL EQUIPMENT PARTS. Use of service/replacement parts other than original equipment parts may void your warranty.



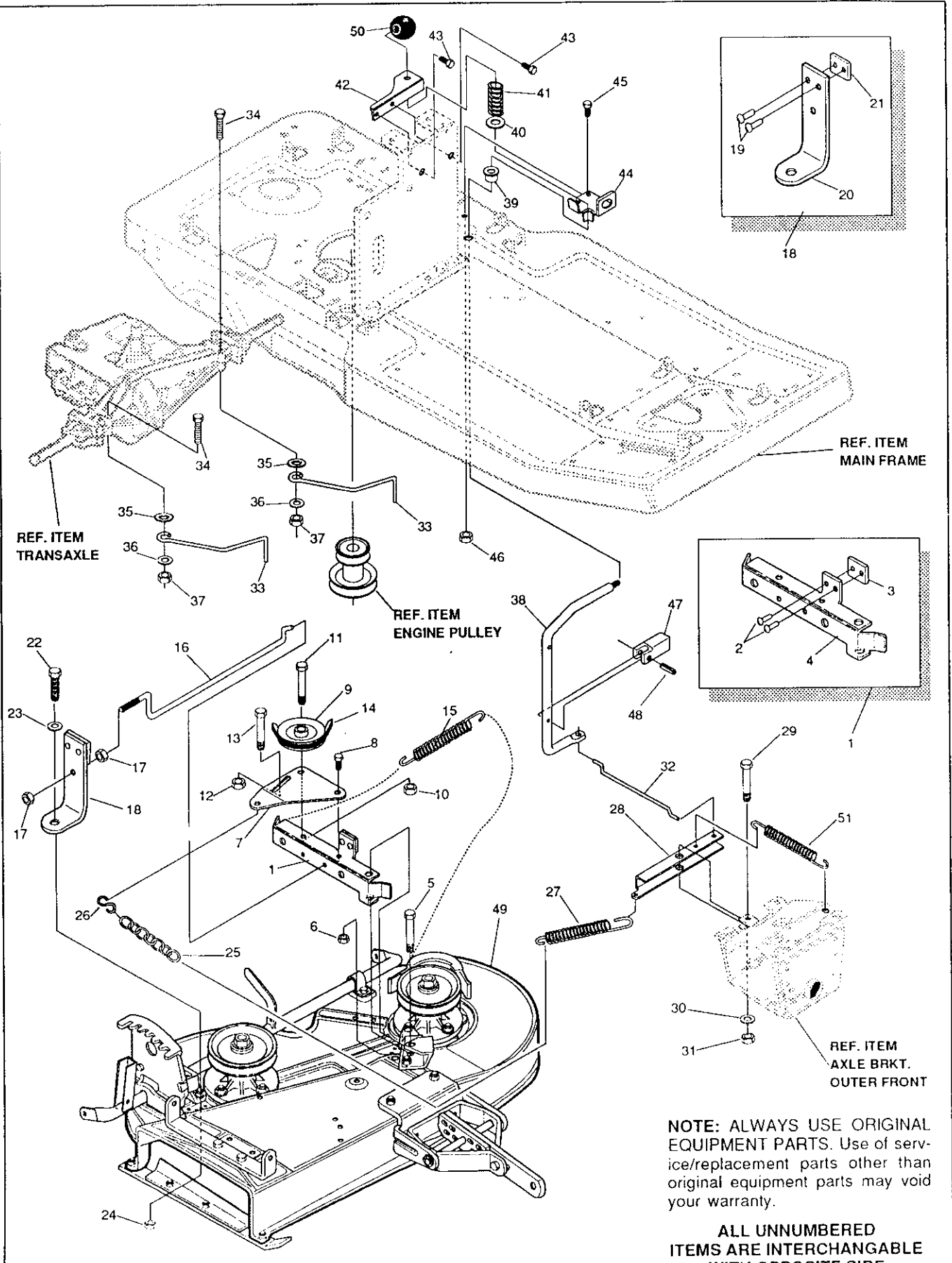
ALL UNNUMBERED ITEMS ARE INTERCHANGABLE WITH OPPOSITE SIDE

32" RIDING MOWER MODEL A3595-010

key#	part#	description	qty.
1	12560	Stamping, Deck	1
2	56283	Quill, Assembly	2
3	56623	Shaft/Saddle Assy.	1
4	49562	Bearing, Ball	1
5	50616	Dust Shield	1
6	55547	Quill Casting	1
7	50818	Spacer, 3.797 LG x .669ID x .88OD	1
8	49562	Bearing, Ball	1
9	56280	Spacer	1
10	56391	Quill Pulley	1
11	56365	Special Washer	1
12	1282	Nut, 7/16-20 WD FL LK	1
13	50634	Screw, 5/16-18 x .88 WA HH TAP	7
14	35702	Screw, 5/16-18 x 1.50 HH TAP	1
15	56820	Blade, 32"	2
16	2483	Washer, .39 ID x 1.25D x .07 BELLVIL	6
17	39573	Screw, 3/8-24 x 1.00 NYL HH CGR5	2
18	57266	Idler Arm Brkt	1
19	1498	Nut, 5/16-18 REG HEX CTR LK	1
20	122007	Screw, 5/16-18 x .75 HHC GR2	1
21	1498	Nut, 5/16-18 REG HEX CTR LK	1
22	44598	Pulley Cover, LH	1
23	122007	Screw, 5/16-18 x .75 HHC GR2	2
24	1498	Nut, 5/16-18 REG HEX CTR LK	2
25	53766	Belt Guide	1
26	271184	Nut, 5/16-18 HEX KEPS	1
27	1498	Nut, 5/16-18 REG HEX CTR LK	1
28	57432	Chute Pivot Brkt	1
29	122007	Screw, 5/16-18 x .75 HHC GR2	2
30	1498	Nut, 5/16-18 REG HEX CTR LK	2
31	55368	Chute Deflector	1
32	126216	Bolt, 5/16-18 x .75 CARR GR2	2
33	271184	Nutd, 5/16-18 HEX KEPS	2
34	55370	Skid Bar	1
35	126216	Bolt, 5/16-18 x .75 CARR GR2	2
36	271184	Nut, 5/16-18 HEX KEPS	2
37	48676	Lift Plate	1
38	120288	Screw, 5/16-18 x .63 HHC GR2	4
39	1498	Nut, 5/16-18 REG HEX CTR LK	4
40	50613	Bracket, Pivot	1
41	49059	Bar, Hitch	1
42	120918	Screw, 3/8-16 x 1.50 HHC GR2	1
43	1499	Nut, 3/8-16 REG HX CTR LK	1
44	49058	Bracket, Lock	1
45	120228	Screw, 5/16-18 x .63 HHC GR2	1
46	1498	Nut, 5/16-18 REG HEX CTR LK	1
47	55724	Pin, Pivot Rod	1
48	996425	Washer, Flat .515 .88 x .064	2
49	20864	Ring, RET E .39 X .04 TRU5133-50	2
50	310357	Assy., Pivot Tube	1
51	51985	Support, Pivot Tube	1
52	120228	Screw, 5/16-18 x .63 HHC GR2	1
53	1498	Nut, 5/16-18 REG HEX CTR LK	1
54	12559	Brkt. Height Adjust	1
55	120228	Screw, 5/16-18 x .63 HHC GR2	2
56	1498	Nut, 5/16-18 REG HEX CTR LK	2
57	53781	Brace Deck	1
58	120228	Screw, 5/16-18 x .63 HHC GR2	1
59	1498	Nut, 5/16-18 REG HEX CTR LK	1
60	180120	Screw, 3/8-16 x .75 HHC GR5	1
61	120394	Washer, Flat .406 x .81 x .065	1
62	1499	Nut, 3/8-16 REG HX CTR LK	1
63	8905	Chute Deflector	1
64	57430	Deflector, Chute Pivot Rod	1
65	57431	Spring, Chute	1(2)**
66	57507	Push Nut	1

**Some units require 2 springs

* Raw part number. For a list of Painted part numbers refer to chart on decal page
BOLD descriptions on parts page apply to box items and/or parts bag items.



NOTE: ALWAYS USE ORIGINAL EQUIPMENT PARTS. Use of service/replacement parts other than original equipment parts may void your warranty.

ALL UNNUMBERED ITEMS ARE INTERCHANGABLE WITH OPPOSITE SIDE

312556 E

32" RIDING MOWER MODEL A3595-010

key#	part#	description	qty.
1	303153	Assy., Idler Arm	1
2	41601	Rivet, Ovset .187 DIA x .50 LG	2
3	307153	Brake Pad	1
4	304167	Pivot Idler Arm	1
5	47516	Bolt, .500 x 1.950 HH SH 3/8-16	1
6	1499	Nut, 3/8-16 REG HX CTR LK	1
7	305224	Bracket, Spring	1
8	995346	Screw, 1/4-20 x .50 WA HH TAP	1
9	52694	Flange Idler	1
10	1499	Nut, 3/8-16 REG HX CTR LK	1
11	122168	Screw, 3/8-16 x 1.75 HH C	1
12	1499	Nut, 3/8-16 REG HX CTR LK	1
13	23763	Bolt, .500 x 1.390 HH SH 3/8-16	1
14	300747	Belt, V	1
15	35410	Spring .071 x .62 x 4.37	1
16	305230	Rod, Brake	1
17	1502	Nut, 1/4-20 REG HEX CTR LK	2
18	303152	Assy., Brake Arm	1
19	135624	Rivet, Trset .185 DIA x .41LG ST	2
20	305176	Brake Arm	1
21	306973	Brake Pad	1
22	120228	Screw, 5/16 - 18 x .63 HH C	1
23	120393	Washer, Flat .344 x .69 x .056	1
24	1498	Nut, 5/16-18 REG HEX CTR LK	1
25	310428	Chain, Jack	0.500 FT
26	310734	Hook, S	1
27	300683	Spring, Tension	1
28	309051	Rocker Arm, Mower Engagement	1
29	310364	Bolt, .500 x 1.18 HH SH 3/8-16	1
30	845	Washer, Flat .390 x 1.25 x .119	1
31	1499	Nut, 3/8-16 REG HX CTR LK	1
32	309049	Rod, Connecting	1
33	310388	Guide, Belt	2
34	122077	Screw, 5/16-18 x 2.50 HH C	2
35	138485	Washer, EX LK .320 x .61 x .03	2
36	120393	Washer, Flat .344 .69 x .065	2
37	1498	Nut, 5/16 - 18 REG HEX CTR LK	2
38	309048	Handle, PTO Linkage	1
39	310351	Bearing, Flanged	1
40	302921	Retainer, Spring	1
41	304398	Spring Compression	1
42	*311107	Support Bracket	1
43	995346	Screw, 1/4 - 20 x .50 WA HH TAP	2
44	310309	Bracket, Limit	1
45	35498	Screw, 5/16-18 x .75 WA HH TAP	1
46	1498	Nut, 5/16 - 18 REG HEX CTR LK	1
47	305225	Stop, Engagement	1
48	455481	Pin, Spring .187 DIA x 1.00 LG HVPL	1
49	*312754	Assy., 32" SD Deck	1
50	55514	Shift Knob	1
51	35410	Spring .071 x .62 x 4.37	1

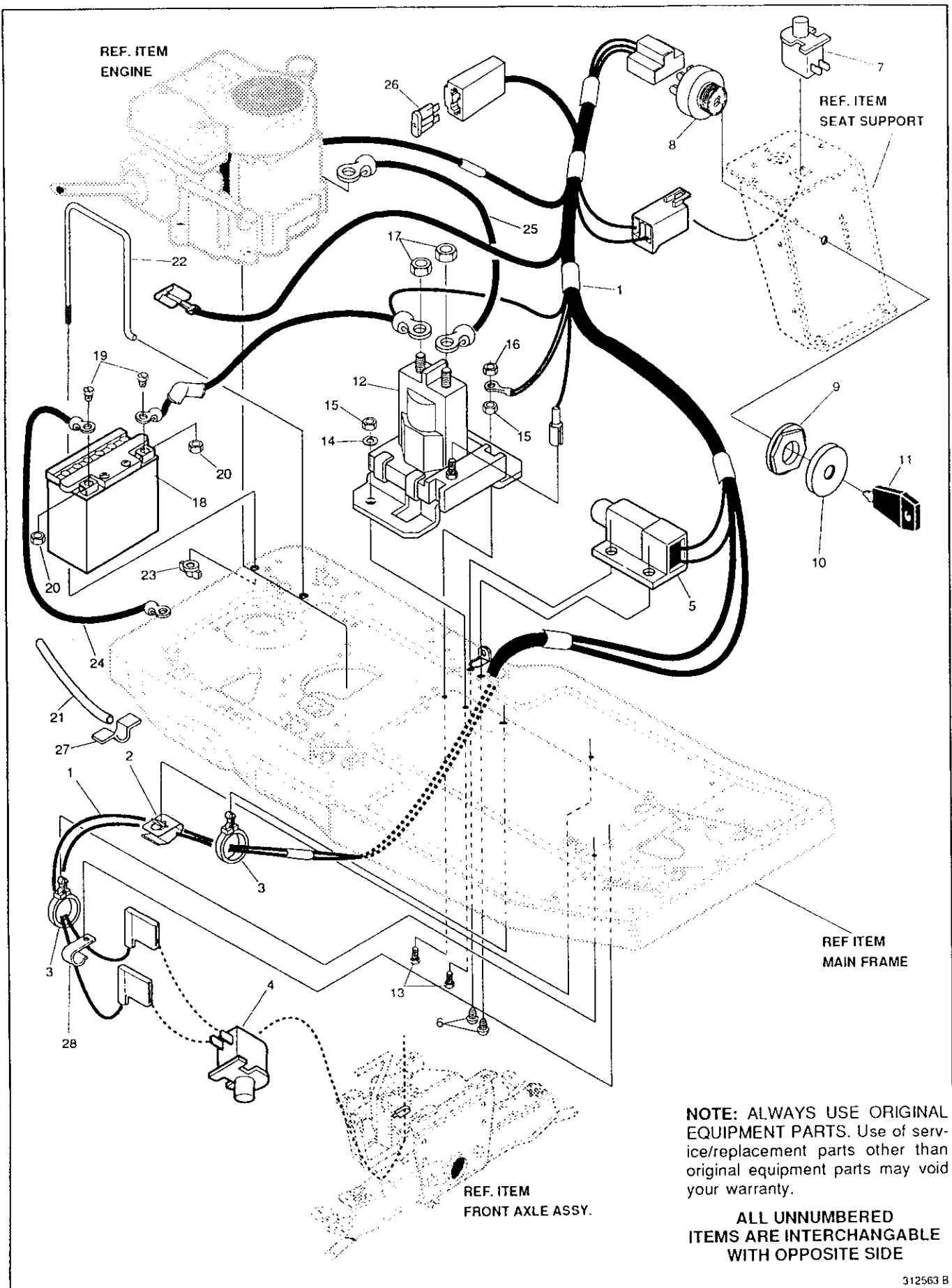
52110045
52921010 / 1110 6012

57 1668067

* Raw part number. For a list of Painted part numbers refer to chart on decal page.

BOLD descriptions on parts page apply to box items and/or parts bag items.

32" RIDING MOWER MODEL A3595-010



REF. ITEM
ENGINE

REF. ITEM
SEAT SUPPORT

REF. ITEM
MAIN FRAME

REF. ITEM
FRONT AXLE ASSY.

NOTE: ALWAYS USE ORIGINAL EQUIPMENT PARTS. Use of service/replacement parts other than original equipment parts may void your warranty.

ALL UNNUMBERED ITEMS ARE INTERCHANGABLE WITH OPPOSITE SIDE

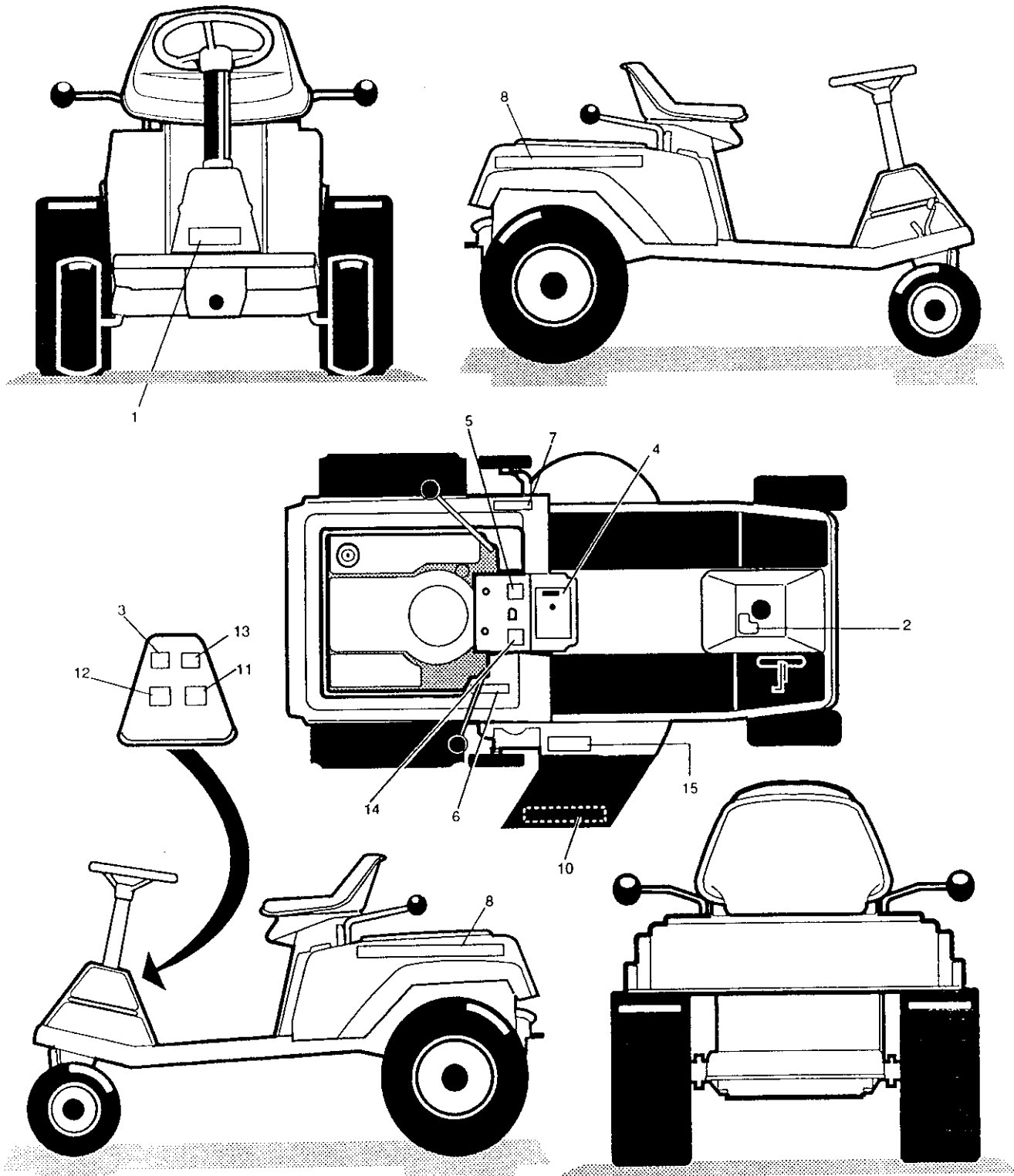
312563 B

32" RIDING MOWER MODEL A3595-010

key#	part#	description	qty
1	304782	Wire Harness	1
2	309098	Clip	1
3	309698	Clip, Wire Routing, Snap-in	2
4	<u>12553</u>	Switch	1
5	57476	Switch	1
6	57220	Screw, #12 x .50 PHPN H Tap	2
7	<u>58277</u>	Switch	1
8	300295	Switch	1
9	300193	Nut, 5/8-32	1
10	300194	Boot, Switch	1
11	300626	Key, Ignition Switch	2
12	53716	Solenoid	1
13	187745	Screw, 1/4-20 x .75 HX SE M MA	2
14	138485	Washer, EX LK .32 x .61 x .03	1
15	1502	Nut, 1/4-20 REG HEX CTR LK	2
16	271172	Nut, 1/4-20 HEX KEPS	1
17	271187	Nut, 5/16-24 H KEPS	2
18	55472	Battery	1
19	55529	Screw, Metric, 6 x 1 x 11	2
20	55530	Nut, Metric, 6 x 11	2
21	55636	Drain Tube	1
22	303271	Hold-Down Bracket	1
23	310067	Small Plastic Wing Nut	1
24	55511	Wire, Ground	1
25	301158	Wire, Starter	1
26	302031	Fuse	1
27	41482	Clip, Adhesive	1
28	57569	Clip, Cable	1

* Raw part number. For a list of Painted part numbers refer to chart on decal page.

BOLD descriptions on parts page apply to box items and/or parts bag items.



key#	part#	description	qty.
1	311878	Decal, Frt. Console	1
2	306775	Decal, Park' N/Brake	1
3	300638	Decal, Export 100DB	1
4	311350	Decal, Ignt. Throttle	1
5	312265	Model Plate	1
6	311232	Decal, 5-Shift Fender	1
7	305397	Decal, ON/OFF Power	1
8	311875	Decal, Unitech LH1	1
9	311876	Decal, Unitech RH	1
10	70594	Decal, Deck Deflector	1
11	312982	Decal, Warning, English	1
12	312983	Decal, Warning, French	1
13	311227	Decal, Hearing Protection	1
14	310436	Decal, French Safety	1
15	68901	Decal, Blade Height Adj. Europe	1

PAINTED PARTS MATRIX

RAW PN	DESCRIPTION	PAINTED PN	COLOR
304164	Deck	305043	BLACK 853
311107	Brkt., Support	311140	RED 860
303098	Brkt., Shift Control	305415	RED 860
309614	Frame	309962	RED 860
310555	Seat Support	310814	RED 860
311108	Seat/Shift Brkt.	311148	RED 860
301330	Seat Brkt.	305418	RED 860
310447	Seat Plate	311057	RED 860
310567	Front Axle Assy	310861	RED 860

* Raw part number. For a list of Painted part numbers refer to chart on decal page.

BOLD descriptions on parts page apply to box items and/or parts bag items.