

REPAIR PARTS MANUAL

8 H.P. RIDING MOWER

With 32" Mower Deck

MODEL 3595-3600

ONE YEAR LIMITED WARRANTY

For one (1) year from date of purchase by the first consumer for residential use (thirty (30) days commercial use), NOMA Outdoor Products Incorporated warrants that it will replace free of charge, including labor, any original part of any NOMA Outdoor Products Incorporated product found to be defective by any authorized Service Dealer or the factory, except the battery which is warranted for ninety (90) days from date of purchase.

This warranty does not cover engine, transmission, transaxle or differential (these items are covered by their manufacturer's own warranty). This warranty does not cover parts that have failed due to normal wear or parts that have failed subject to misuse or abuse. Transportation of the unit or part to and from an authorized Service Dealer or factory is the responsibility of the owner.

A step by step explanation as to what procedure should be followed for this Warranty is:

1. If a part becomes defective, contact the store where the unit was purchased for the name and address of the authorized Service Dealer nearest to you.
2. If you cannot locate an authorized Service Dealer, write Service Department of NOMA Outdoor Products Incorporated for the name and address of the authorized Service Dealer in your area or call the Service Department at 1-901-422-1690.
3. Return the defective product, along with proof of purchase to such authorized Service Dealer for replacement of any defective part where covered by this warranty.

There is no other express warranty. Implied warranties, including those of merchantability and fitness for a particular purpose are limited to one (1) year from date of purchase. Liability for incidental or consequential damages are excluded.

Some states do not allow limitations on how long an implied warranty lasts, so the above limitation may not apply to you. Some states do not allow the exclusion of incidental or consequential damages, so the above exclusion may not apply to you. This warranty gives you specific legal rights, and you may have other rights which vary from state to state.

NOMA Outdoor Products Incorporated

Caller 8000

Jackson, TN 38308-8000

UNIT PARTS AND SERVICE

This manual contains instructions for safety, assembly and maintenance. Read this manual carefully and completely so that you will know proper assembly, use and care of your unit. Also fill in and mail the registration card packed with the unit. For service other than covered in this manual, contact an authorized service dealer. A nationwide parts and service organization has been established to provide locally available parts and service. A list of authorized parts distributors has been included in this manual. When ordering repair parts, always give the following information: 1. The Part Name; 2. The Part Number; 3. The Quantity desired; 4. The Full (eight digit) Model Number of the unit. The model number will be found on a plate attached to the unit.



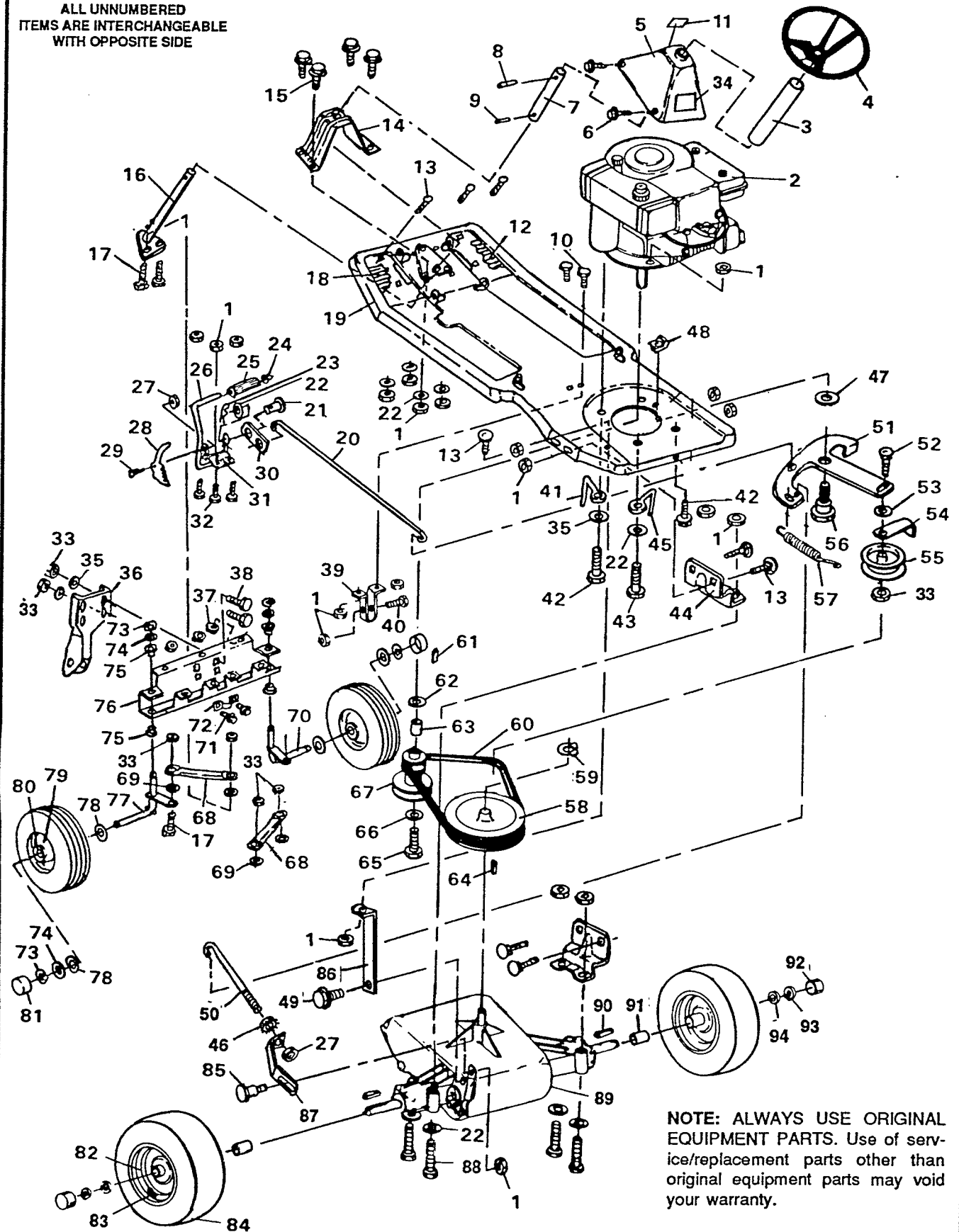
Look for this symbol. It means - ATTENTION! BECOME ALERT! A HAZARD TO OPERATOR, BYSTANDER, PROPERTY OR EQUIPMENT MAY EXIST.

NOMA Outdoor Products Incorporated
Caller 8000
Jackson, TN 38308-8000

REPAIR PARTS

32" RIDING MOWER MODEL 3595-3600

ALL UNNUMBERED
ITEMS ARE INTERCHANGEABLE
WITH OPPOSITE SIDE



NOTE: ALWAYS USE ORIGINAL EQUIPMENT PARTS. Use of service/replacement parts other than original equipment parts may void your warranty.

32" RIDING MOWER MODEL 3595-3600

Key No.	Part No.	Description
1	1498	Locknut, 5/16-18 Thd.
2	Engine	~ See Footnote Below
3	300736	Tube, Decorative
4	52955	Wheel, Steering
5	55454	Console Assembly
6	995346	* Screw, Taptite, 1/4-20 x 1/2 In.
7	300796	Shaft, Steering
8	456836	Roll Pin, 1/4 x 2-1/4 In.
9	417375	Pin, Spiral, 3/16 x 1-1/4 In.
10	122007	* Screw, Hex Hd, 5/16-18 x 3/4 In.
11	70545	Decal, Texas, Front
12	301181	Pad, Footrest, R.H.
13	126211	* Carriage Bolt, 5/16-18 x 5/8 In.
14	305023	Support, Steering
15	48901	Screw, Hex Wa Hd, 5/16-18 x 5/8 In.
16	301008	Steering Shaft Assembly
17	122145	* Screw, Hex Hs, 3/8-16 x 1-1/4 In.
18	12555	Pad, Footrest, L. H.
19	306901	Main Frame
20	306825	Clutch Rod
21	39522	Pin, Clevis
22	120393	* Flatwasher, 11/32 In.
23	8260	Harpin Cotter
24	44582	Push Nut
25	52840	Pad, Clutch/Brake Pedal
26	53885	Lever Assembly, Clutch/Brake
27	1502	Locknut, 1/4-20 Thd.
28	47601	Lever, Parking Brake
29	3275	Shoulder Bolt
30	12591	Bracket, Clutch Rod
31	44112	Bracket, Brake
32	120228	* Screw, Hex Hd, 5/16-18 x 5/8 In.
33	1499	Locknut, 3/8-16 Thd.
34	70559	Decal, Console, Rear
35	120394	* Flatwasher, 13/32 In.
36	307501	Bracket, Deck Hanger
37	45174	Locknut, Wide Flange, 5/16-18 Thd.
38	122119	* Screw, Hex Hd, 3/8-16 x 3/4 In.
39	300574	Guide, Mower Deck
40	122027	* Screw, Hex Hd, 5/16-18 x 1-1/4 In.
41	302216	Belt Guide
42	48148	Screw, Taptite, 3/8-16 x 1 In.
43	122040	* Screw, Hex Hd, 5/16-18 x 1-1/2 In.
44	9796	Bracket, Transaxle Mounting
45	301119	Belt Guide
46	271172	* Keps Nut, 1/4-20 Thd.
47	45602	Flatwasher
48	301124	Tinnerman Clip
49	35498	Screw, Taptite, 5/16-18 x 3/4 In.
50	300580	Rod, Brake

Key No.	Part No.	Description
51	300591	Idler Arm
52	45892	Carriage Bolt, 3/8-16 x 1-1/2 In.
53	274517	Flatwasher, 13/32 In.
54	39659	Retainer, Belt
55	35374	Pulley, Idler
56	41890	Shoulder Bolt
57	35410	Spring, Return
58	300109	Pulley, Transaxle
59	22053	Retaining Ring
60	300575	V-Belt
61	33200	Key, Square, 1/4 x 1-1/2 In.
62	428831	Washer
63	300589	Spacer
64	3021	Key, Woodruff, No. 606
65	181403	* Screw, Hex Hd, 7/16-20 x 1-3/4 In.
66	120383	* Lockwasher, Split, 7/16 In.
67	300577	Pulley Assembly, Engine
68	304974	Tie Rod Assembly
69	120382	* Lockwasher, Split, 25/64 In.
70	301492	Spindle, R.H.
71	35497	Screw, Taptite, 5/16-18 x 1/2 In.
72	51805	"U" Bracket, Steering Shaft
73	20859	Retaining Ring
74	4107	Flatwasher
75	44111	Bearing, Flange
76	306908	Axle Assembly, Front
77	301493	Spindle, L. H.
78	40677	Flatwasher, 5/8 In.
79	53619	Bearing, Wheel, Front
80	53618	Wheel & Tire Assembly, Front
81	36832	Hub Cap
82	36182	Wheel, Rear
83	24167	Valve Stem
84	41082	Tire, Rear
85	29386	Shoulder Bolt
86	300587	Bracket, Transaxle Support
87	300630	Bracket, Brake Rod
88	180087	* Screw, Hex Hd, 5/16-18 x 2 In.
89	303012	^ Transaxle, Peerless, 5 Speed
90	39628	Key, 3/16 x 2-1/2 In.
91	300588	Spacer
92	40394	Hub Cap
93	36625	"E" Ring
94	42815	Flatwasher
95	307995	Operator's Manual (Not Illustrated)
96	307996	Parts Manual (Not Illustrated)

(*) Standard hardware items - May Be Purchased Locally.

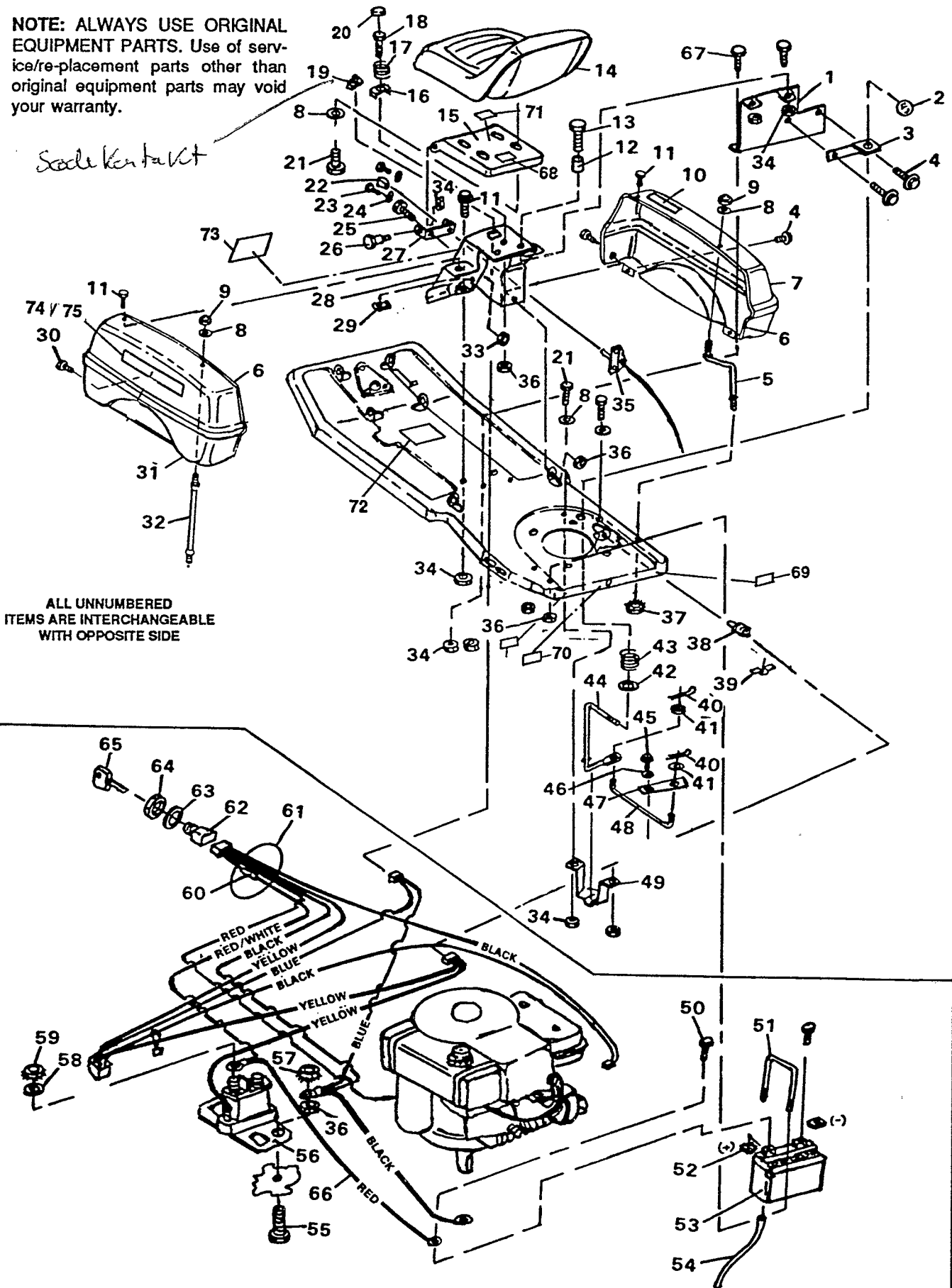
(^) Contact Tecumseh/Peerless authorized service dealer for parts and warranty.

(~) Contact Engine Manufacturer's authorized service dealer (See Engine Manual) for parts and warranty.

Saddle

NOTE: ALWAYS USE ORIGINAL EQUIPMENT PARTS. Use of service/re-placement parts other than original equipment parts may void your warranty.

Saddle Kontakt



ALL UNNUMBERED ITEMS ARE INTERCHANGEABLE WITH OPPOSITE SIDE

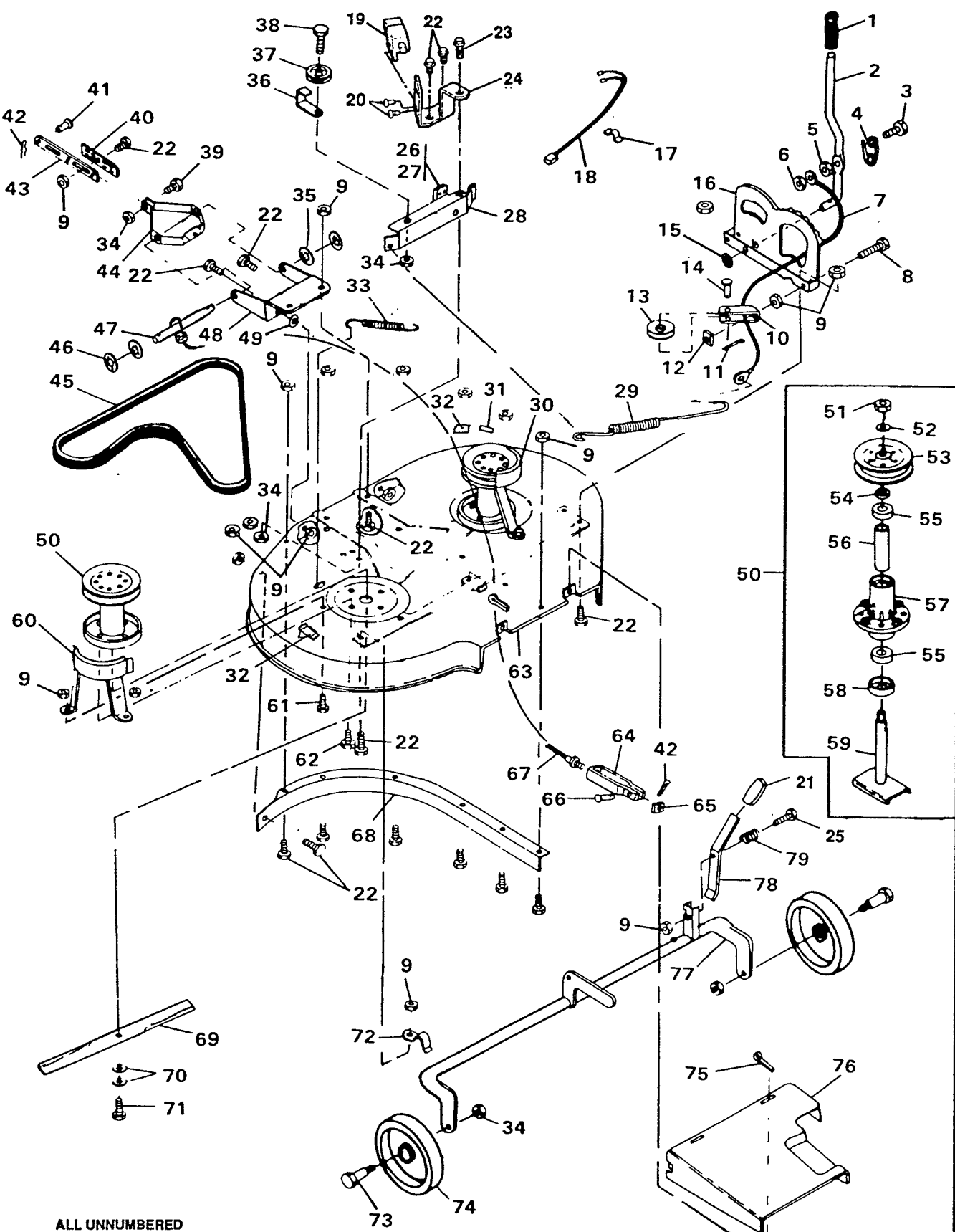
32" RIDING MOWER MODEL 3595-3600

Key No.	Part No.	Description
1	306905	Support, Seat/Shift Lever
2	55514	Knob, Shift Lever
3	306907	Bracket, Shift Lever
4	995346	* Screw, Taptite, 1/4-20 x 1/2 In.
5	56471	Rod, Fender Support, R.H.
6	55021	Edging, Fender
7	307504	Fender, R.H.
8	120393	* Flatwasher, 11/32 In.
9	55623	Nut, Acorn, 5/16-18 Thd.
10	301773	Decal, Shift
11	48901	Screw, Hex Hd, 5/16-18 x 5/8 In.
12	50520	Spacer
13	122017	* Screw, Hex Hd, 5/16-18 x 1 In.
14	304315	Seat
15	306903	Seat Plate
16	9416	Clamp, Seat Spring
17	301132	Spring, Seat
18	120706	* Screw, Hex Hd, 1/4-20 x 1/2 In.
19	58277	Switch, Seat
20	53205	Cover, Spring
21	122007	* Screw, Hex Hd, 5/16-18 x 3/4 In.
22	39486	Knob, Trottle Control
23	35287	Screw, Taptite, No. 8-32 x 3/8 In.
24	414106	* Flatwasher, 3/16 In.
25	180117	* Screw, Hex Hd, 3/8-16 x 9/16 In.
26	20507	Shoulder Bolt
27	306904	Bracket, Seat
28	304943	Support, Seat
29	44572	Tinnerman Clip
30	48900	Screw, Taptite, 1/4-20 x 1 In.
31	307502	Fender, L.H.
32	55614	Rod, Fender Support, L.H.
33	1499	Locknut, 3/8-16 Thd.
34	1498	Locknut, 5/16-18 Thd.
35	301141	Trottle Control
36	1502	Locknut, 1/4-20 Thd.
37	271184	* Keps Nut, 5/16-18 Thd.
38	300220	Switch
39	41482	Press Clip

Key No.	Part No.	Description
40	137185	Cotter Pin
41	120394	* Flatwasher, 13/32 In.
42	120396	* Flatwasher, 17/32 In.
43	301133	Spring, Shift Lever
44	302251	Shift Lever
45	56255	Screw, Hex Hd, 1/4-20 x 3/4 In.
46	57157	Washer, Special
47	9290	Shift Lever, Transaxle
48	300582	Rod, Shift Connecting
49	300939	Support, Shift Lever
50	55529	Screw, Special
51	55471	Bracket, Battery, Hold-Down
52	55530	Nut
53	55472	Battery
54	55636	Tube, Battery Vent
55	187745	Screw, 1/4-20 x 3/4 Hex Hd.
56	53716	Solenoid
57	271172	* Keps Nut, 1/4-20 Thd.
58	138485	Washer, External Lock
59	271187	* Keps Nut, 5/16-24 Thd.
60	49211	Fuse
61	301157	Wire Harness Assembly
62	300295	Switch, Ignition
63	138557	Lockwasher, (Ignition Switch Part)
64	48140	Nut, (Ignition Switch Part)
65	300626	Key, Ignition Switch
66	300158	Wire Assembly
67	120834	* Screw, Hex Hd, 5/16-18 x 1/2 In.
68	48684	Decal, Model
69	300638	Decal, LWA100DB
70	70563	Decal, Caution
71	70562	Decal, Seat Support
72	301722	Decal, Shift Pattern
73	308692	Decal, Instructions, Dash
74	70543	Decal, Left Fender
75	70544	Decal, Right Fender

(* Standard Hardware Items - May Be Purchased Locally.

32" RIDING MOWER MODEL 3595-3600



ALL UNNUMBERED
ITEMS ARE INTERCHANGEABLE
WITH OPPOSITE SIDE

NOTE: ALWAYS USE ORIGINAL EQUIPMENT
PARTS. Use of service/replacement parts other than
original equipment parts may void your warranty.

32" RIDING MOWER MODEL 3595-3600

Key No.	Part No.	Description
1	46478	Grip, Clutch Lever
2	53885	Lever, Clutch
3	53901	Screw, Special, 1/4-20 x 1-1/2" In.
4	46561	Spring, Clutch Lever
5	271172	* Nut, Keps, 1/4-20 Thd.
6	1502	Locknut, 1/4-20 Thd.
7	51875	Cable, Clutch Spring
8	50083	Screw, Hex Hd, 5/16-18 x 3-1/2 In.
9	1498	Locknut, 5/16-18 Thd.
10	7151	Support, Cable Pulley
11	121222	* Cotterpin, 3/32 x 3/4 In.
12	120376	* Nut, Square, 5/16-18 Thd.
13	39298	Pulley, Cable
14	49332	Pin, Clevis
15	53697	Push Nut, 1/2 In.
16	53247	Quadrant
17	41482	Wire Clip, Press
18	57564	Wire Assembly
19	57476	Switch, Safety
20	57220	Screw, Phi Pan Hd Tap, #12 x .50,
21	20250	Grip, Height Adjust Lever
22	120228	* Screw, Hex Hd, 5/16-18 x 5/8 In.
23	47516	Shoulder Bolt
24	57514	Bracket, Idler Arm
25	120696	* Screw, Hex Hd, 5/16-18 x 2-1/4 In.
26	41601	Rivet
27	307153	Brake Pad
28	47592	Idler Arm Assy. (Includes 26 & 27)
29	51841	Spring, Clutch
30	47633	Pulley Cover, R.H.
31	70564	Decal, Height Adjust
32	68642	Decal
33	35410	Spring, Idler
34	1499	Locknut, 3/8-16 Thd.
35	996425	* Flatwasher, 33/64 In.
36	7354	Belt Retainer
37	52694	Pulley, Idler
38	122168	* Screw, Hex Hd, 3/8-16 x 1-3/4 In.
39	120918	* Screw, Hex Hd, 3/8-16 x 1-1/2 In.
40	49058	Bracket, Bar Hitch Lock
41	47816	Pin, Clevis
42	56180	Hairpin Cotter

Key No.	Part No.	Description
43	49059	Bar, Hitch
44	50613	Bracket, Pivot
45	300842	V-Belt
46	20864	"E" Ring
47	55724	Pin, Pivot
48	48676	Plate, Lift Support
49	996416	* Flatwasher, 25/64 In.
50	56283	Quill Assembly (Incl. Nos. 51-59)
51	1282	Locknut, Flange, 7/16-20 Thd.
52	56365	Flatwasher
53	56391	Pulley
54	56280	Spacer
55	49562	Bearing
56	50818	Spacer Tube
57	55547	Quill Housing
58	50616	Dust Shield
59	56623	Saddle & Shaft Assembly
60	47353	Pully Cover, L.H.
61	122017	* Screw, Hex Hd, 5/16-18 x 1 In.
62	50634	Screw, Taptite, 5/16-18 x 7/8 In.
63	9013	Mower Deck Assembly UDGAET
64	9405	Clevis, Lift Cable
65	120372	* Nut, Square, 1/4-20 Thd.
66	39522	Pin, Clevis
67	300341	Cable, Deck Lift
68	47354	Baffle, L.H.
69	56820	Blade, 16 In.
70	2483	Washer, Spring
71	39573	Screw, Hex Hd, 3/8-24 x 1 In.
72	51985	Support, Pivot Tube
73	23763	Axle, Wheel
74	52584	Wheel
75	120123	* Cotterpin, 1/8 x 1-1/4 In.
76	54528	Chute Extension
77	52612	Pivot Tube Assembly
78	4622	Lever, Height Adjust
79	53246	Spring