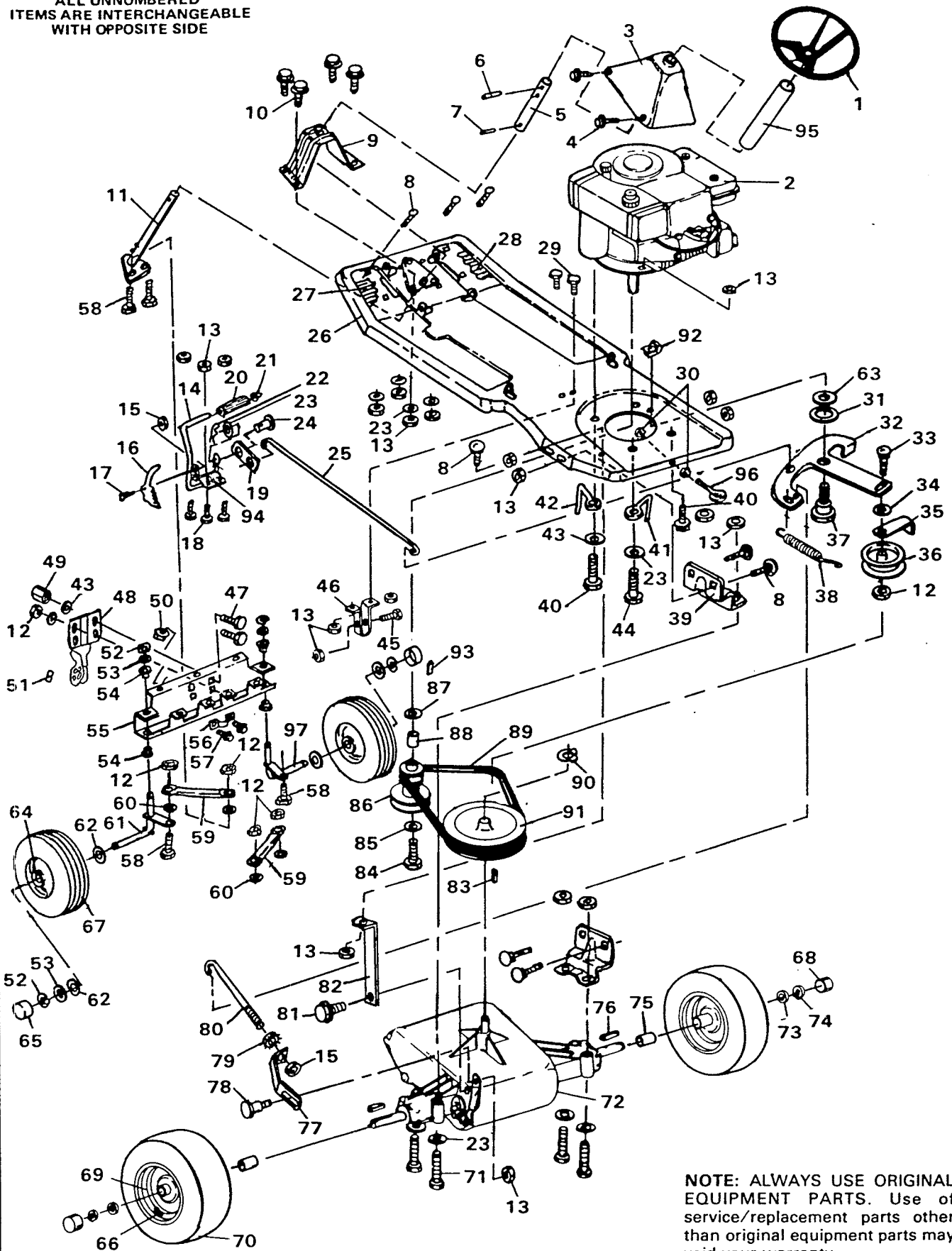


8-32 / 88

32" RIDING MOWER MODELS 3595-18 & 3595-20

ALL UNNUMBERED  
ITEMS ARE INTERCHANGEABLE  
WITH OPPOSITE SIDE



NOTE: ALWAYS USE ORIGINAL  
EQUIPMENT PARTS. Use of  
service/replacement parts other  
than original equipment parts may  
void your warranty.

### 32" RIDING MOWER MODELS 3595-18 & 3595-20

ALWAYS GIVE THE FOLLOWING INFORMATION WHEN ORDERING REPAIR PARTS:

1. The PART NUMBER; 2. The PART NAME; 3. QUANTITY DESIRED; 4. The MODEL NUMBER (As shown on Model Plate).

SEND PART ORDERS AS PER INSTRUCTIONS ON THE FRONT PAGE.

YOUR UNIT IS RIGHT HAND (RH) OR LEFT HAND(LH) AS YOUR STAND BEHIND IT.

DO NOT USE KEY NUMBERS WHEN ORDERING REPAIR PARTS, ALWAYS USE PART NUMBERS.

All replacement parts will be supplied in current production colors or in a neutral color.

A handling fee is applicable to small parts orders.

Key No.	Part No.	Description	Key No.	Part No.	Description
1	52955	Wheel, Steering	50	45174	Locknut, Wide Flange, 5/16-18 Thd.
2	Engine	~See Footnote Below	51	68644	Decal
3	55454	Console Assembly	52	20859	Retaining Ring
4	995346	*Screw, Taptite, 1/4-20 x 1/2 In.	53	4107	Flatwasher
5	300796	Shaft, Steering	54	44111	Bearing, Flange
6	456836	roll Pin, 1/4 x 2-1/4 In.	55	55466	Axle Assembly, Front
7	9417375	Pin, Spival, 3/16 x 1-1/4 In.	56	51805	"U" Bracket, Steering shaft
8	126211	*Carriage Bolt, 5/16-18 x 5/8 In.	57	35497	Screw, Taptite, 5/16-18 x 1/2 In.
9	301290	Support, Steering	58	122145	*Screw, Hex Hs, 3/8-16 x 1-1/4 In.
10	48901	Screw, Hex Wa Hd, 5/16-18 x 5/8 In.	59	300916	Tie Rod Assembly
11	301008	Steering Shaft Assembly	60	120382	*Lockwasher, Split, 25/64 In.
12	9413534	Locknut, 3/8-16 Thd.	61	301493	Spindle, L.H.
13	9413447	Locknut, 5/16-18 Thd.	62	40677	Flatwasher, 5/8 In.
14	51833	Lever Assembly, Clutch/Brake	63	45602	Flatwasher
15	9424215	Locknut, 1/4-20 Thd.	64	53619	Bearing, Wheel, Front
16	47601	Lever, Parking Brake	65	36832	Hub Cap
17	3275	Shoulder Bolt	66	24167	Valve Stem
18	120228	*Screw, Hex Hd, 5/16-18 x 5/8 In.	67	53618	Wheel & Tire Assy, Front
19	300584	Bracket, Clutch Rod	68	40394	Hub Cap
20	52840	Pad, Clutch/Brake Pedal	69	36182	Wheel, Rear
21	44582	Push Nut	70	41081	Tire, Rear
22	8260	Hairpin cotter	71	180087	*Screw, Hex he, 5/16-18 x 2 In.
23	120393	*Flatwasher, 11/32 In.	72	Transaxle	*Peerless, 5 Speed
24	39522	Pin, Clevis	73	42815	Flatwasher
25	300593	Clutch Rod	74	36625	"E" Ring
26	300605	Main Frame	75	300588	Spacer
27	301180	Pad, Footrest, L.H.	76	39628	Key, 3/16 x 2-1/2 In.
28	301181	Pad, Footrest, R.H.	77	300630	Bracket, Brake Rod
29	122007	*Screw, Hex Hd, 5/16-18 x 3/4 In.	78	29386	Shoulder Bolt
30	120377	*Nut, Hex, 3/8-16 Thd.	79	271172	*Keps Nut, 1/4-20 Thd.
31	48253	Flatwasher, 5/8 In.	80	300580	Rod, Brake
32	300591	Idler Arm	81	35498	Screw, Taptite, 5/16-18 x 3/4 In.
33	45892	Carriage bolt, 3/8-16 x 1-1/2 In.	82	300587	Bracket, Transaxle Support
34	274517	Flatwasher, 13/32 In.	83	3021	Key, Woodruff No.606
35	39659	Retainer, Belt	84	181403	*Screw, Hex Hd, 7/16-20 x 1-3/4 In.
36	35374	Pulley, Idler	85	120383	*Lockwasher, split, 7/16 In.
37	41890	Shoulder Bolt	86	300577	Pulley Assembly, Engine
38	35410	Spring, Return	87	9428831	Washer
39	300592	Bracket, Transaxle Mount	88	300589	Spacer
40	48148	Screw, Taptite, 3/8-16 x 1 In.	89	300575	V-Belt
41	301119	Belt Guide	90	22053	Retaining Ring
42	55488	Belt Guide	91	300979	Pulley, Transaxle
43	120394	*Flatwasher, 13/32 In.	92	301124	Tinnerman Clip
44	122040	*Screw, Hex Hd, 5/16-18 x 1-1/2 In.	93	33200	Key, Square, 1/4 x 1-1/2 In.
45	122027	*Screw, Hex Hd, 5/16-18 x 1-1/4 In.	94	44112	Bracket, Clutch/Brake
46	300574	Guide, Mower Deck	95	300736	Tube, Decorative
47	122119	*Screw, Hex Hd, 3/8-16 x 3/4 In.	96	44121	Eye Bolt, 3/8-16 x 3-1/2 In.
48	47632	Bracket, Deck Hanger	97	301492	Spindle, R.H.
49	55436	Nut, Long, 3/8-16 Thd.	98	301910	Owner's Manual (Not Illustrated)

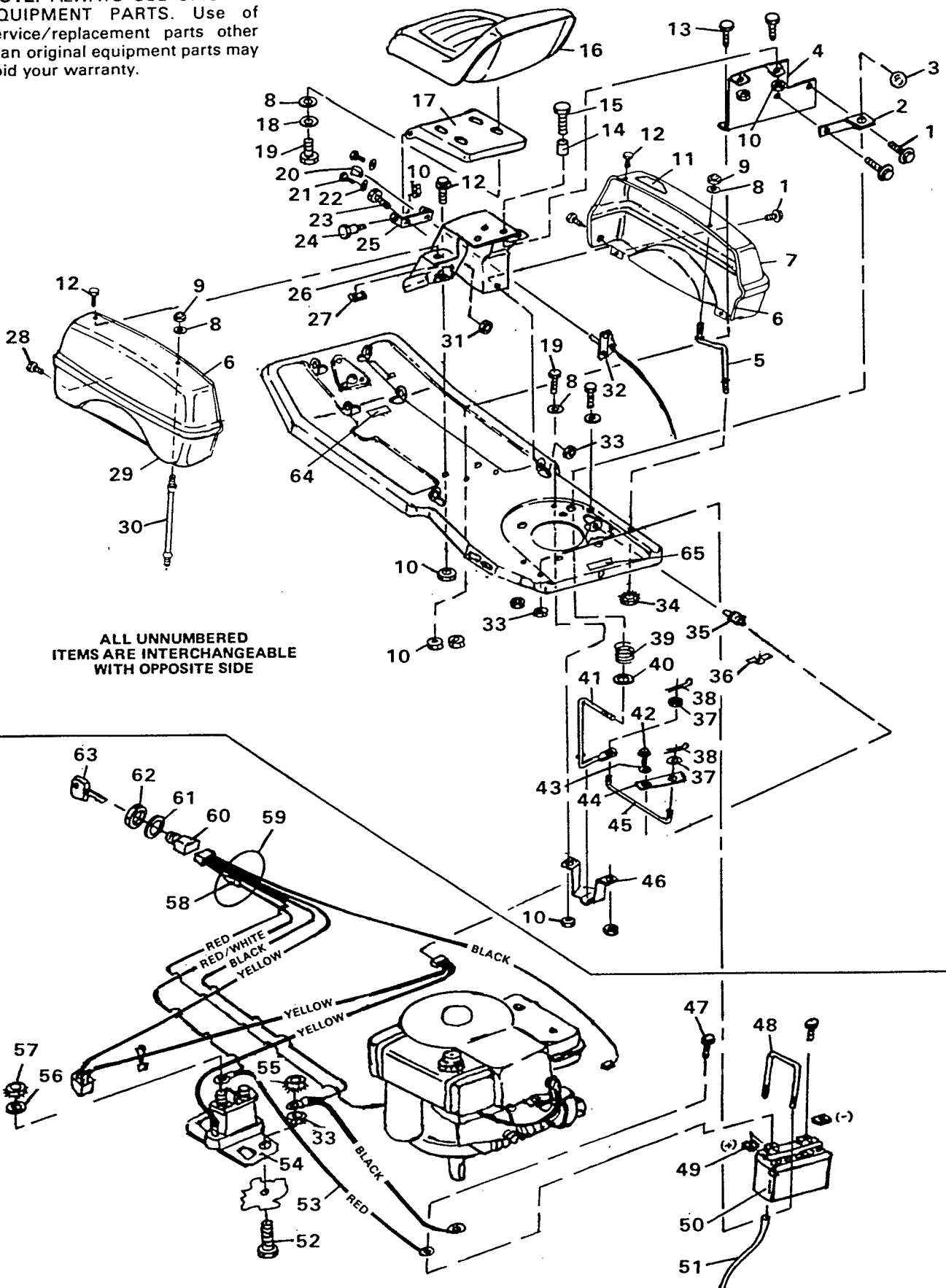
(\*) Standard Hardware Items - May Be Purchased Locally.

(~) Contact Engine Manufacturer's authorized service dealer (see Engine Manual) for parts and warranty.

(^) Contact Tecumseh/Peerless authorized service dealer for parts and warranty.

# 32" RIDING MOWER MODELS 3595-18 & 3595-20

**NOTE: ALWAYS USE ORIGINAL EQUIPMENT PARTS.** Use of service/replacement parts other than original equipment parts may void your warranty.



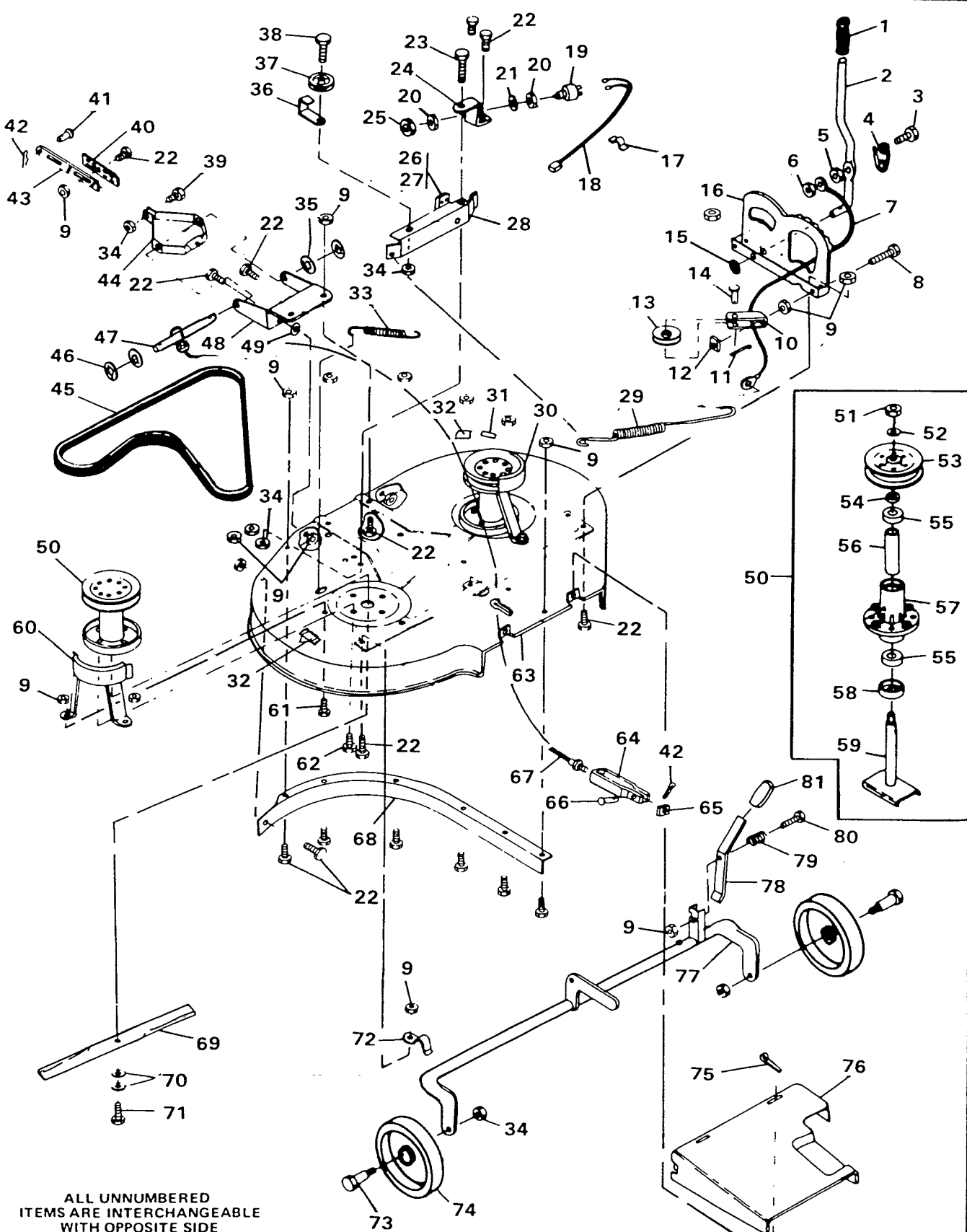
### 32" RIDING MOWER MODELS 3595-18 & 3595-20

Key No.	Part No.	Description
1	995346	*Screw, Taptite, 1/4-20 x 1/2 In.
2	300967	Bracket, Shift Lever
3	55514	Knob, Shift lever
4	300594	Support, Seat/Shift Lever
5	56471	Rod, Fender Support, R.H.
6	55022	Edging, Fender
7	300843	Fender, R.H.
8	120393	*Flatwasher, 11/32 In.
9	301730	Nut, Acorn, 5/16-18 Thd.
10	9413447	Locknut, 5/16-18 Thd.
11	301773	Decal, Shift Pattern
12	48901	Screw, Hex Hd, 5/16-18 x 5/8 In.
13	120834	*Screw, Hex Hd, 5/16-18 x 1/2 In.
14	50520	Spacer
15	122017	*Screw, Hex Hd, 5/16-18 x 1 In.
16	57453	Seat
17	300604	Seat Plate
18	120638	*Lockwasher, Split, 5/16 In.
19	122007	*Screw, Hex Hd, 5/16-18 x 3/4 In.
20	39486	Knob, Throttle Control
21	35287	Screw, Taptite, No. 8-32 x 3/8 In.
22	9414106	*Flatwasher, 3/16 In.
23	180117	*Screw, Hex Hd, 3/8-16 x 9/16 In.
24	20507	Shoulder Bolt
25	301330	Bracket, Seat
26	300597	Support, Seat
27	44572	Tinnerman Clip
28	48900	Screw, Taptite, 1/4-20 x 1 In.
29	300599	Fender, L.H.
30	55614	Rod, Fender Support, L.H.
31	9413534	Locknut, 3/8-16 Thd.
32	301141	Throttle Control
33	9424215	Locknut, 1/4-20 Thd.

Key No.	Part No.	Description
34	271184	*Keps Nut, 5/16-18 Thd.
35	300220	Switc
36	41482	Press Clip
37	120394	*Flatwasher, 13/32 In.
38	137185	Cotter Pin
39	301133	Spring, Shift Lever
40	120396	*Flatwasher, 17/32 In.
41	300590	Shift Lever
42	56255	Screw, Hex Hd, 1/4-28 x 3/4 In.
43	57157	Washer, Special
44	300585	Shift Lever, Transaxle <i>323824</i>
45	300582	Rod, Shift Connecting
46	300939	Support, shift Lever
47	55529	Screw, Special
48	55471	Bracket, Battery Hold-Down
49	55530	Nut
50	55472	Battery
51	55636	Tube, Battery Vent
52	187745	*Screw, Hex Hd, 1/4-20 x 3/4 In.
53	301158	Wire Assembly
54	53716	Solenoid
55	271172	*Keps Nut, 1/4-20 Thd.
56	138485	Washer, Ext. Lock
57	271187	*Keps Nut, 5/16-24 Thd.
58	49211	Fuse
59	301507	Wire Harness Assembly
60	300295	Switch, Ignition
61	138557	Lockwasher (Ignition Switch Part)
62	48140	Nut (Ignition Switch Part)
63	300626	Key, Ignition Switch
64	301722	Decal, Shift
65	70563	Decal, Caution (3595-18)
65	70593	Decal, Caution (3595-20)

(\* Standard Hardware Items - May Be Purchased Locally.

**32" RIDING MOWER MODELS 3595-18 & 3595-20**



ALL UNNUMBERED ITEMS ARE INTERCHANGEABLE WITH OPPOSITE SIDE

**NOTE:** ALWAYS USE ORIGINAL EQUIPMENT PARTS Use of service replacement parts other than original equipment parts may void your warranty

### 32" RIDING MOWER MODELS 3595-18 & 3595-20

Key No.	Part No.	Description
1	46478	Grip, Clutch Lever
2	53885	Lever, Clutch
3	53901	Screw, Special, 1/4-20 x 1-1/2 In.
4	46561	Spring, Clutch Lever
5	271172	*Nut, Keps, 1/4-20 Thd.
6	9424215	Locknut, 1/4-20 Thd.
7	51875	Cable, Clutch Spring
8	50083	Screw, Hex Hd, 5/16-18 x 3-1/2 In.
9	9413447	Locknut, 5/16-18 Thd.
10	52243	Support, Cable Pulley
11	121222	*Cotterpin, 3/32 x 3/4 In.
12	120376	*Nut, Square, 5/16-18 Thd.
13	39298	Pulley, Cable
14	49332	Pin, Clevis
15	53697	Push Nut, 1/2 In.
16	53247	Quadrant
17	41482	Wire Clip, Press
18	43038	Wire Assembly
19	41204	Switch, Safety
20	45877	Nut, Safety Switch
21	45878	Lockwasher, Safety Switch
22	120228	*Screw, Hex Hd, 5/16-18 x 5/8 In.
23	47516	Shoulder Bolt
24	47517	Bracket, Idler Arm
25	56635	Nut, Hex, 15/32-32 Thd.
26	41601	Rivet
27	47791	Brake Pad
28	47592	Idler Arm Assy. (Includes 26 & 27)
29	51841	Spring, Clutch
30	47633	Pulley Cover, R.H.
31	68750	Decal, Height Adjust (3595-20)
31	70564	Decal, Height Adjust (3595-18)
32	68542	Decal, Danger
33	35410	Spring, Idler
34	9413534	Locknut, 3/8-16 Thd.
35	996425	*Flatwasher, 33/64 In.
36	52695	Belt Retainer
37	52694	Pulley, Idler
38	122168	*Screw, Hex Hd, 3/8-16 x 1-3/4 In.
39	120918	*Screw, Hex Hd, 3/8-16 x 1-1/2 In.
40	49058	Bracket, Bar Hitch Lock

Key No.	Part No.	Description
41	47816	Pin, Clevis
42	56180	Hairpin Cotter
43	49059	Bar, Hitch
44	50613	Bracket, Pivot
45	300842	V-Belt <i>45 186</i>
46	20864	"E" Ring
47	55724	Pin, Pivot
48	48676	Plate, Lift Support
49	996416	*Flatwasher, 25/64 In.
50	56283	Quill Assembly (Incl. Nos. 51-59)
51	51445	Locknut, Flange, 7/16-20 Thd.
52	56365	Flatwasher
53	56391	Pulley
54	56280	Spacer
55	49562	Bearing
56	50818	Spacer Tube
57	55547	Quill Housing
58	50616	Dust Shield
59	56623	Saddle & Shaft Assembly
60	47353	Pulley Cover, L.H.
61	122017	*Screw, Hex Hd, 5/16-18 x 1 In.
62	50634	Screw, Taptite, 5/16-18 x 7/8 In.
63	47223	Mower Deck
64	300703	Clevis, Lift Cable
65	120372	*Nut, Square, 1/4-20 Thd.
66	39522	Pin, Clevis
67	55880	Lift Cable Assembly
68	47354	Baffle, L.H.
69	56820	Blade, 16 In.
70	2483	Washer, Spring
71	39573	Screw, Hex Hd, 3/8-24 x 1 In.
72	51985	Support, Pivot Tube
73	23763	Axle, Wheel
74	52584	Wheel
75	120123	*Cotterpin, 1/8 x 1-1/4 In.
76	54528	Chute Extension
77	52612	Pivot Tube Assembly
78	46358	Lever, Height Adjust
79	120696	*Screw, Hex Hd, 5/16-18 x 2-1/4 In.
80	53246	Spring
81	20250	Grip, Height Adjust Lever

(\* Standard Hardware Items - May Be Purchased Locally.