

REPAIR PARTS MANUAL

30" - 8 H.P. RIDING MOWER

MODEL D3595-060

ONE YEAR LIMITED WARRANTY

For one (1) year from date of purchase by the first consumer for residential use (thirty (30) days commercial use), NOMA Outdoor Products Incorporated warrants that it will replace free of charge, including labor, any original part of any NOMA Outdoor Products Incorporated product found to be defective by any authorized Service Dealer or the factory, except the battery which is warranted for ninety (90) days from date of purchase.

This warranty does not cover engine, transmission, transaxle or differential (these items are covered by their manufacturer's own warranty). This warranty does not cover parts that have failed due to normal wear or parts that have failed subject to misuse or abuse. Transportation of the unit or part to and from an authorized Service Dealer or factory is the responsibility of the owner.

A step by step explanation as to what procedure should be followed for this warranty is:

1. If a part becomes defective, contact the store where the unit was purchased for the name and address of the authorized Service Dealer nearest to you.
2. If you cannot locate an authorized Service Dealer, write Service Department of NOMA Outdoor Products Incorporated for the name and address of the authorized Service Dealer in your area or call the Service Department at 1-901-422-1690.
3. Return the defective product, along with proof of purchase to such authorized Service Dealer for replacement of any defective part where covered by this warranty.

There is no other express warranty. Implied warranties, including those of merchantability and fitness for a particular purpose are limited to one (1) year from date of purchase. Liability for incidental or consequential damages are excluded.

Some states do not allow limitations on how long an implied warranty lasts, so the above limitation may not apply to you. Some states do not allow the exclusion of incidental or consequential damages, so the above exclusion may not apply to you. This warranty gives you specific legal rights, and you may have other rights which vary from state to state.

NOMA Outdoor Products Incorporated

Caller 8000

Jackson, TN 38308-8000

UNIT PARTS AND SERVICE

Fill in and mail the registration card packed with the unit. For service other than covered in this manual, contact an authorized service dealer. A nationwide parts and service organization has been established to provide locally available parts and service. A list of authorized parts distributors has been included in this manual. When ordering repair parts, always give the following information: 1. The Part Name; 2. The Part Number; 3. The Quantity desired; 4. The Full (eight digit) Model Number of the unit. The model number will be found on a plate attached to the unit.



Look for this symbol. **It means - ATTENTION! BECOME ALERT! A HAZARD TO OPERATOR, BYSTANDER, PROPERTY OR EQUIPMENT MAY EXIST.**

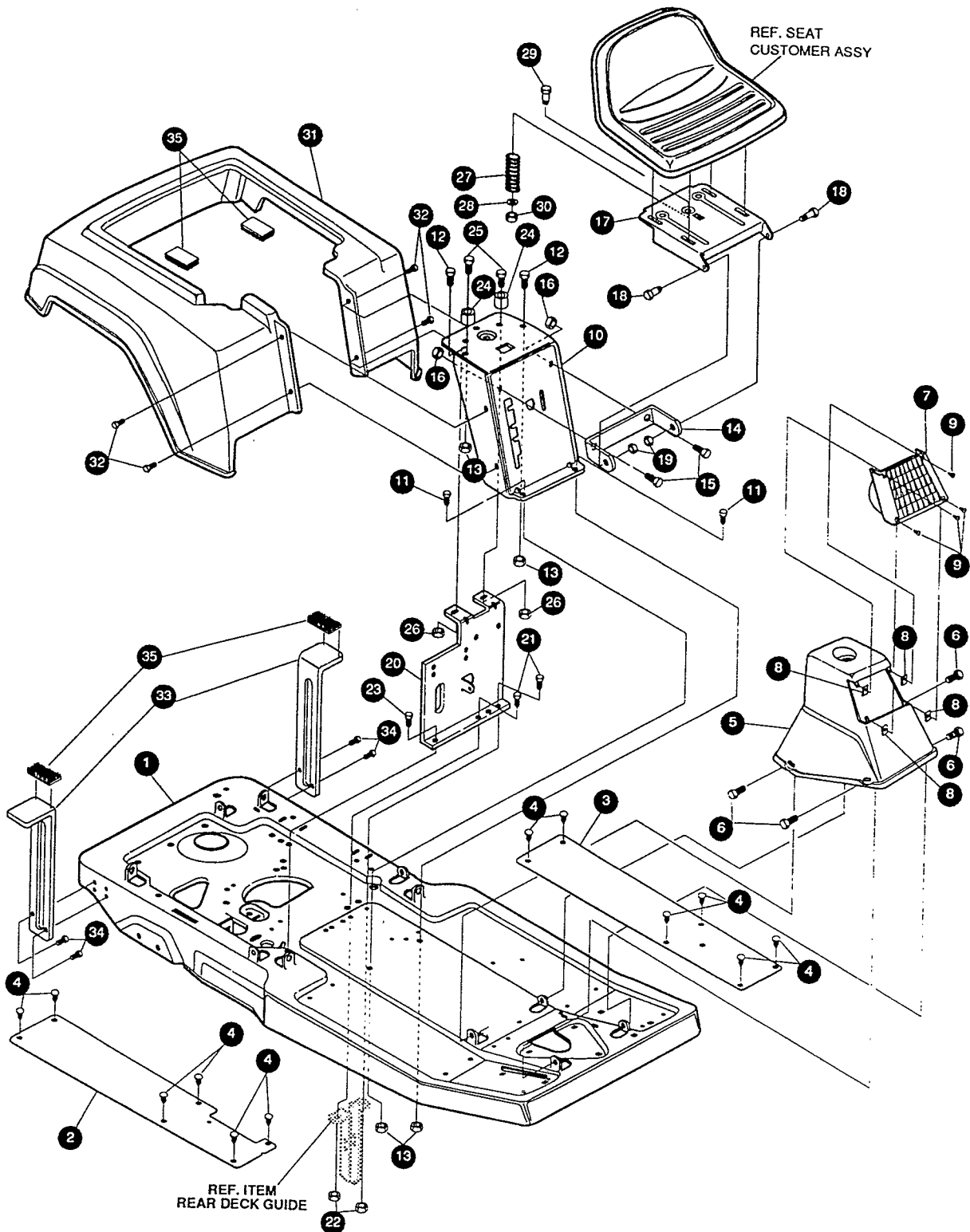
NOMA Outdoor Products Incorporated

Caller 8000

Jackson, TN 38308-8000

30" RIDING MOWER MODEL D3595-060

BODY GROUP ASSEMBLY



NOTE: ALWAYS USE ORIGINAL EQUIPMENT PARTS. Use of service/replacement parts other than original equipment parts may void your warranty.

ALL UNNUMBERED ITEMS ARE INTERCHANGEABLE WITH OPPOSITE SIDE

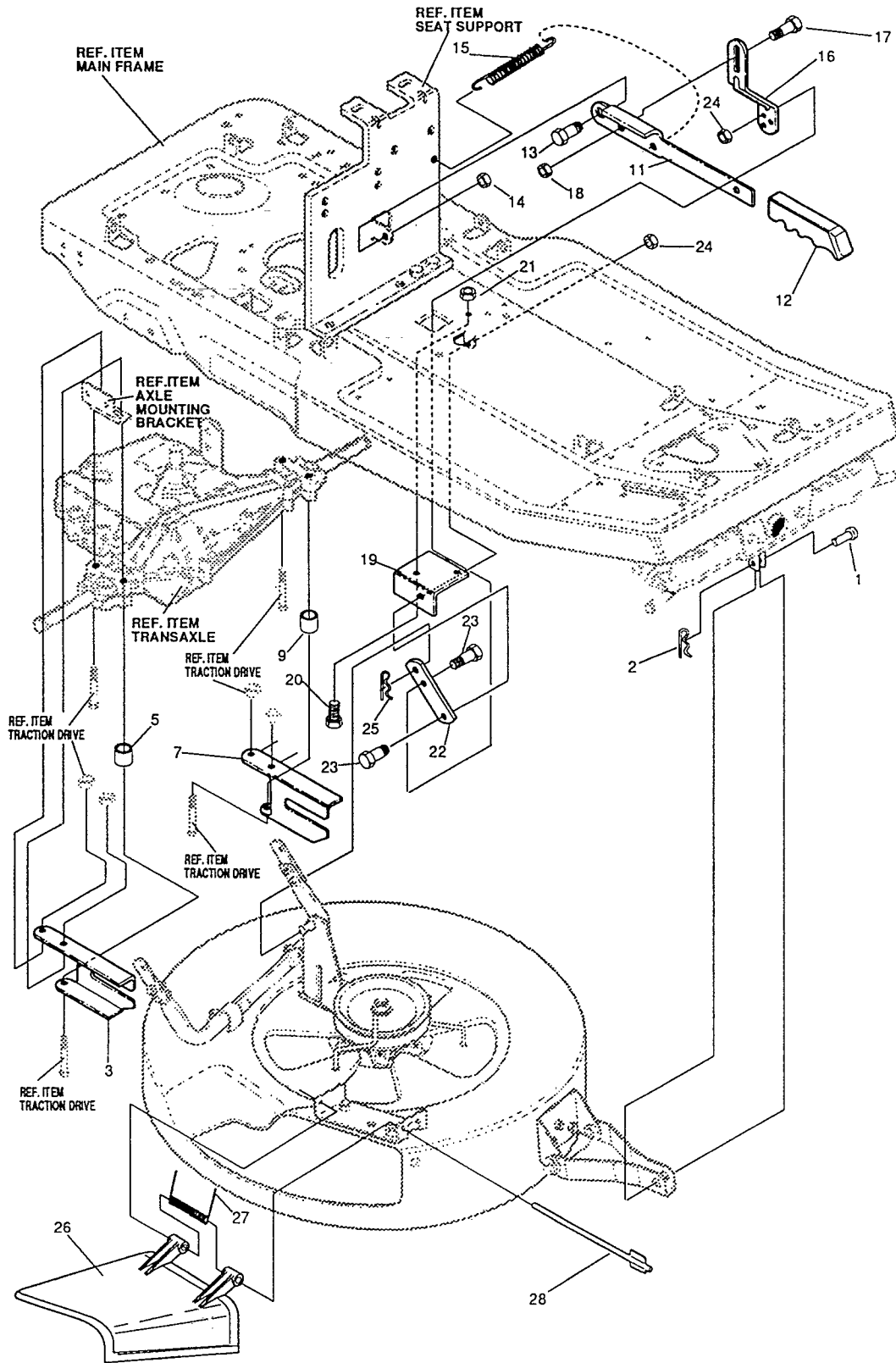
316316G

30" RIDING MOWER MODEL D3595-060

KEY#	PART#	DESCRIPTION	QTY.
1	314227-879	FRAME	1
2	309612	FOOTPAD RH	1
3	309613	FOOTPAD LH	1
4	309235	FASTENER, RATCHET	12
5	302805	CONSOLE	1
6	995346	SCREW, 1/4-20 X .50 WA H H TAP	4
7	303130	ASSY., HEADLIGHT LENS	1
8	303260	CLIP, TINNEMAN	4
9	308347	SCREW, #6 X .50 BLACK	4
10	314265-879	SEAT SUPPORT	1
11	48901	SCREW, 5/16-18 X .63 WA H HC GR2	2
12	180075	SCREW, 5/16-18 X .63 H HC GR2	2
13	1498	NUT, 5/16-18 REG H CTR LK	4
14	301330-853	SEAT BRACKET	1
15	180117	SCREW, 3/8-16 X .56 HHC	2
16	1499	NUT, 3/8-16 REG HX CTR LK	2
17	313476-853	ASSY, SEAT PLATE	1
18	20507	BOLT, .437 X .156 HH SH 5/16-18	2
19	1498	NUT, 5/16-18 REG H CTR LK	2
20	314185-853	SEAT/SHIFT BRACKET	1
21	120229	SCREW, 5/16-18X.88 HHC	2
22	1498	NUT, 5/16-18 REG H CTR LK	2
23	35498	SCREW, 5/16-18 X .75 WA H H TAP	1
24	50520	SPACER	2
25	122027	SCREW, 5/16-18 X 1.25 H HC GR2	2
26	1498	NUT, 5/16-18 REG H CTR LK	2
27	319136	SEAT SPRING	1
28	120392	WASHER, FLAT .281X.63X.065	1
29	120706	SCREW, 1/4-20 X .50 H HC GR2	1
30	1502	NUT, 1/4-20 REG HEX CTR LK	1
31	313511	FENDER	1
32	44811	SCREW, 1/4-20 X .75 H WA TAP	4
33	305645	FENDER SUPPORT	2
34	995346	SCREW, 1/4-20 X .50 WA H H TAP	4
35	12599	FASTENER, VELCRO	2
36	328841	PARTS MANUAL	1
37	328576	OPERATOR'S MANUAL (ENGLISH)	1
38	328577	OPERATOR'S MANUAL (FRENCH)	1
39	328578	OPERATOR'S MANUAL (GERMAN)	1
40	318307	GRASS CATCHER MANUAL (ENGLISH)	1
41	318354	GRASS CATCHER MANUAL (FRENCH)	1
42	318355	GRASS CATCHER MANUAL (GERMAN)	1

30" RIDING MOWER MODEL D3595-060

MOWER SUSPENSION ASSEMBLY



NOTE: ALWAYS USE ORIGINAL EQUIPMENT PARTS. Use of service/replacement parts other than original equipment parts may void your warranty.

ALL UNNUMBERED ITEMS ARE INTERCHANGEABLE WITH OPPOSITE SIDE

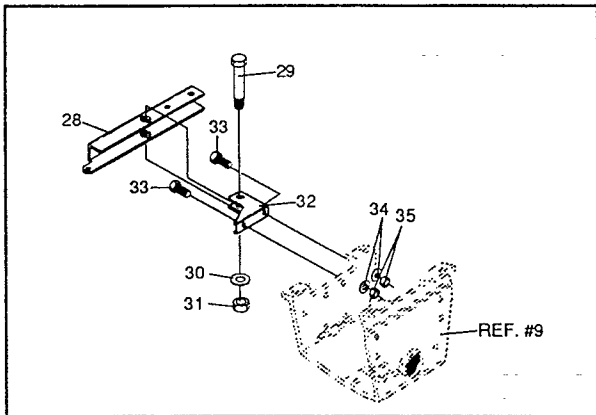
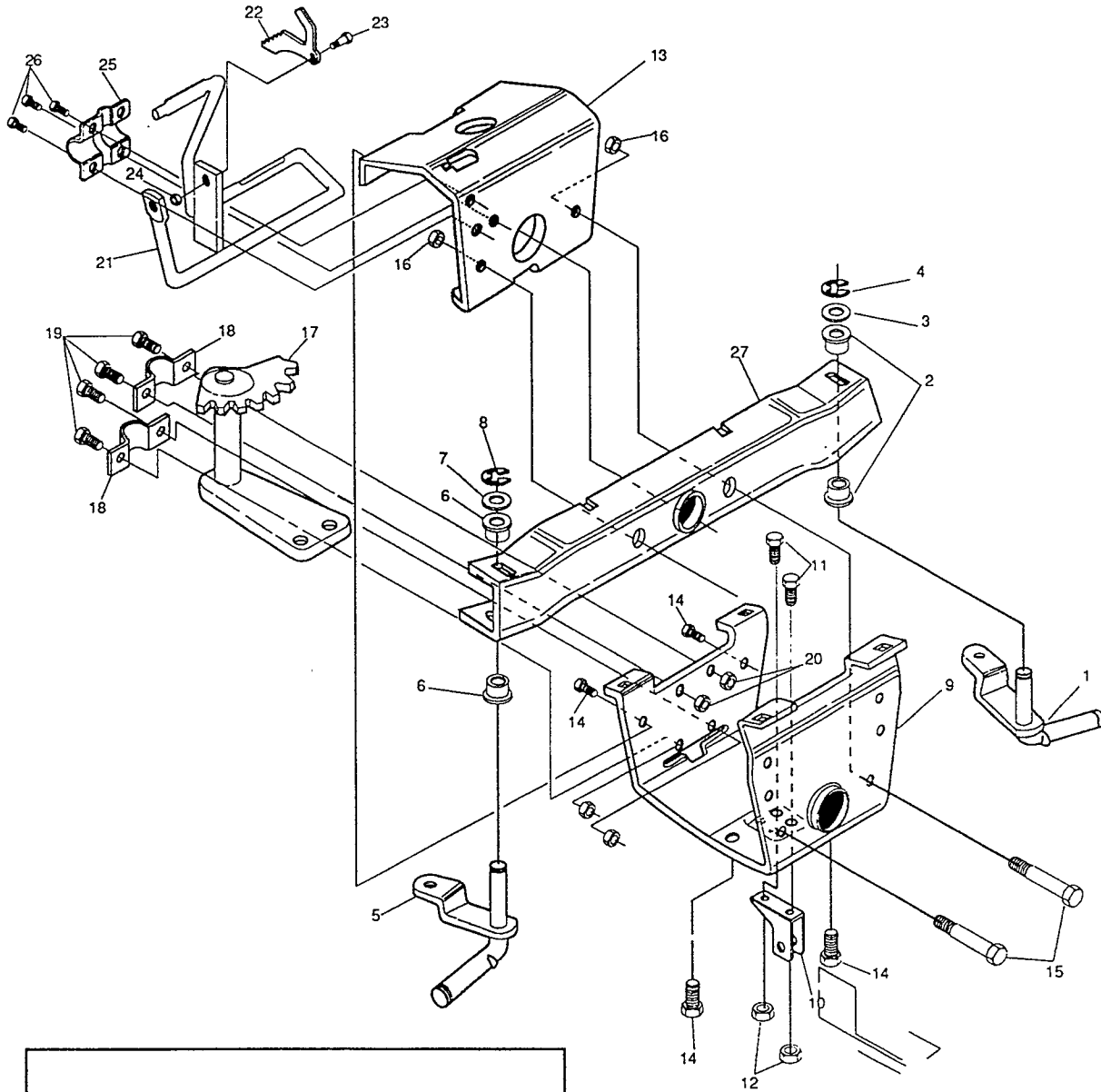
306432G

30" RIDING MOWER MODEL D3595-060

KEY#	PART#	DESCRIPTION	QTY.
1	47817	PIN, .495X1.750 CLEVIS-SHORT	1
2	56180	PIN, HAIR .091 DIAX1.62LG	1
3	321371	BRACKET, REAR SUPPORT RH	1
5	41462	SPACER .328 X .750 X .312	1
7	321370	BRACKET, REAR SUPPORT LH	1
9	41462	SPACER .328 X .750 X .312	1
11	313719-853	HANDLE, HEIGHT ADJUST	EA
12	313763	GRIP, HANDLE, LIFT	1
13	54855	BOLT, .500X .345 HSSH 3/8-16	1
14	1499	NUT, 3/8-16 REGHXCTRLK	1
15	35410	SPRING .071 X .62 X 4.37	1
16	323897	BRKT, LINK UPPER 30"MOW	1
17	54855	BOLT, .500X .345 HSSH 3/8-16	1
18	1499	NUT, 3/8-16 REGHXCTRLK	1
19	323898	BRACKET, RER FRAME	1
20	120229	SCREW, 5/16-18X .88 HHC	1
21	1498	NUT, 5/16-18 REGHEXCTRLK	1
22	323899	BRKT, LINK LOWER 30"MOW	1
23	313560	BOLT, .500X .225 HSSH 5/16-18	2
24	1498	NUT, 5/16-18 REGHEXCTRLK	2
25	8260	PIN, HAIR .091 DIAX1.62LG	1
26	315314	CHUTE DEFLECTOR 30" DECK	1
27	314975	SPRING TORSION CHUTE DEF.	1
28	304424	ROD, PIVOT 40" DECK .312 x 7.25	1

30" RIDING MOWER MODEL D3595-060

PRE-PAINT FRONT AXLE ASSEMBLY



NOTE: ALWAYS USE ORIGINAL EQUIPMENT PARTS. Use of service/replacement parts other than original equipment parts may void your warranty.

ALL UNNUMBERED ITEMS ARE INTERCHANGEABLE WITH OPPOSITE SIDE

316219B



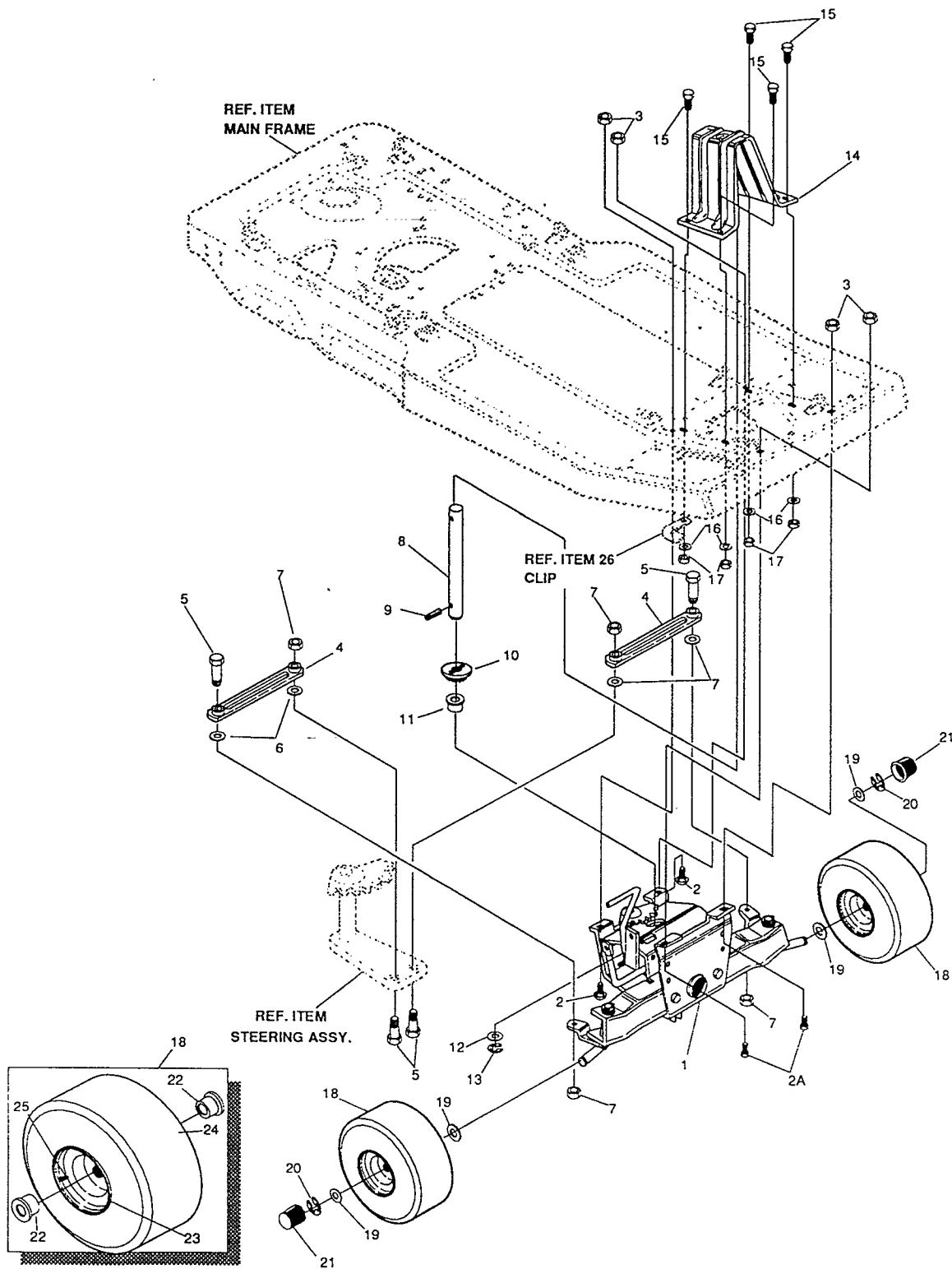
" RIDING MOWER MODEL D3595-060

KEY#	PART#	DESCRIPTION	QTY.
1	316216	ASSEMBLY SPINDLE L.H.	1
2	12552	BUSHING, SPINDLE	2
3	4107	WASHER, FLAT .635 X 1.31 X .07	1
4	20859	RING, RET E. .48 X .04 TRU 5133-62	1
5	316217	ASSEMBLY SPINDLE, R.H.	1
6	12552	BUSHING, SPINDLE	2
7	4107	WASHER, FLAT .635 X 1.31 X .07	1
8	20859	RING, RETAINING E .48 X .04TRU 5133-62	1
9	314228-853	BRACKET, AXLE, OUTER FRONT	1
10	323904	HANGER	1
11	180075	SCREW, 5/16-18 X .63 HHC GR2	2
12	1498	NUT, 5/16-18 REG H CTR LK	2
13	302799	AXLE BRACKET, INNER	1
14	35497	SCREW, 5/16-18 X .50 WAHH TAP	4
15	122201	SCREW, 3/8-16 X 2.75 H HC GR 2	2
16	1499	NUT, 3/8-16 REG HX CTR LK	2
17	302958-853	STEERING ASSEMBLY	1
18	302760	CLAMP, .625 DIA.	2
19	180075	SCREW, 5/16-18 X .63 H HC GR2	4
20	1498	NUT, 5/16-18 REG HEX CTR LK	4
21	303249-853	BRAKE ARM ASSEMBLY	1
22	302955-853	LATCH, PARKING BRAKE	1
23	3275	BOLT, .373 X .140 H H SH 1/4-20	1
24	1502	NUT, 1/4-20 REG H CTR LK	1
25	44112	BRACKET, CLUTCH AND BRAKE	1
26	35497	SCREW, 5/16-18 X .50 WA H H TAP	5
27	^	FRONT AXLE ASSEMBLY	1
28	323903	ROCKER ARM MOWER ENGAGEMENT	1
29	310364	BOLT 500X1.18 HHC 3/8-16	1
30	845	WASHER,FLAT .390X1.25X.119	1
31	1499	NUT,38-16 REGHXCTRLK	1
32	323904	HANGER	1
33	180075	SCREW, 5/16-18X.63 HHC GRD 2	2
34	120393	WASHER,FLAT .344X.69X.065	2
35	1498	NUT, 5/16-18 REGHXCTRLK	2

^ ORDER INDIVIDUAL PARTS.

30" RIDING MOWER MODEL D3595-060

FRONT AXLE & WHEELS ASSEMBLY



NOTE: ALWAYS USE ORIGINAL EQUIPMENT PARTS. Use of service/replacement parts other than original equipment parts may void your warranty.

ALL UNNUMBERED ITEMS ARE INTERCHANGEABLE WITH OPPOSITE SIDE

316220E

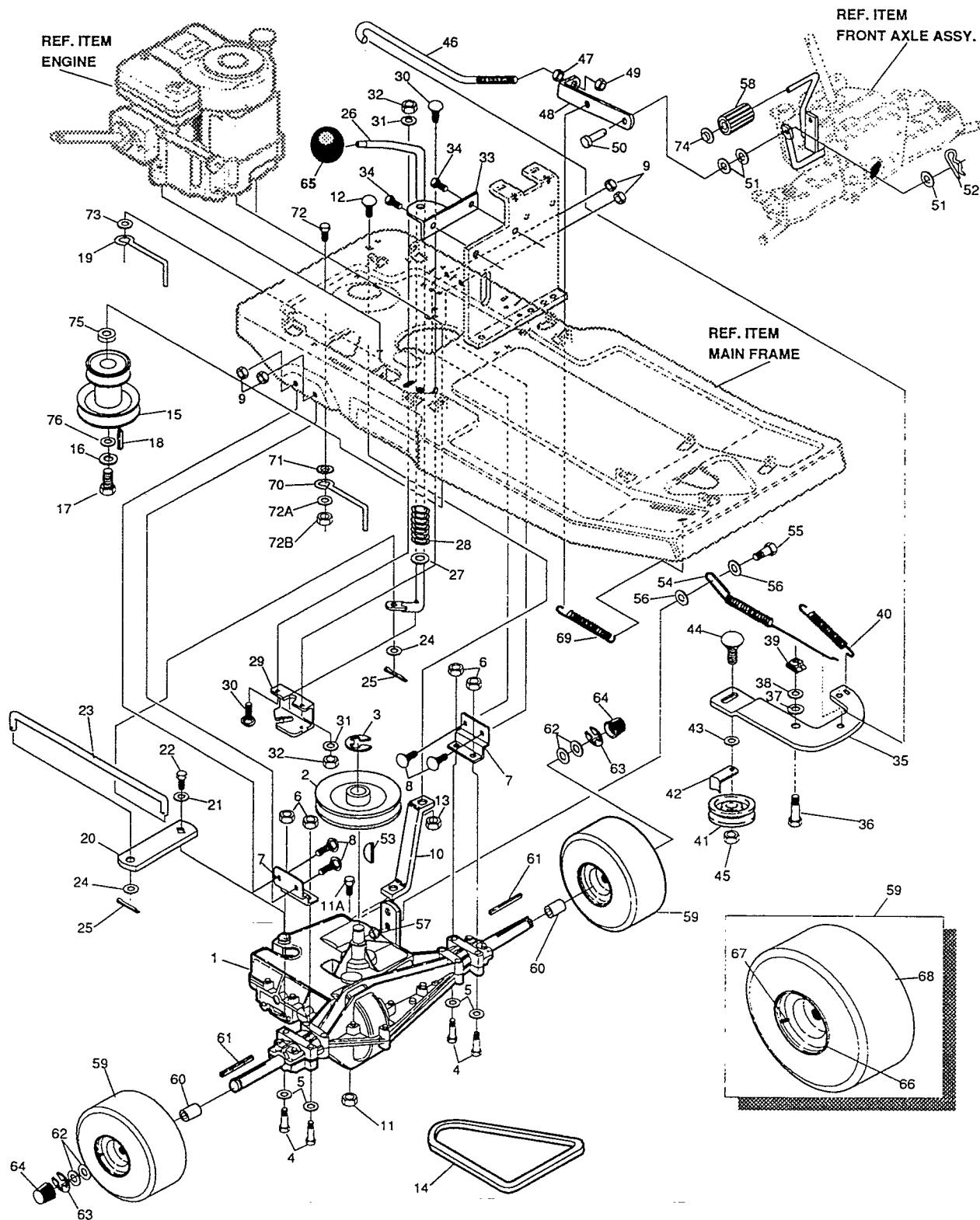
30" RIDING MOWER MODEL D3595-060

KEY#	PART#	DESCRIPTION	QTY.
1	^	FRONT AXLE ASSY.	1
2	122007	SCREW, 5/16-18 X .75 HHC GRD 2	2
2A	126211	5/16-18X.63 CARR	2
3	45174	NUT, 5/16-18 HEX WD FL LK WHIZ	4
4	303140	TIE ROD,	2
5	122145	SCREW, 3/8-16 X 1.25 H HC GR2	4
6	120382	WASHER, REG SPT LK .393 X .68 X .10	4
7	1499	NUT, 3/8-16 REG HX CTR LK	4
8	323906	SHAFT STEERING	1
9	454565	PIN, SPRING .250 DIA. X 1.25 LG	1
10	302766	GEAR, PINION	1
11	304010	BUSHING-STEERING	1
12	4107	WASHER, FLAT .635 X 1.31 X .07	1
13	20859	RING, RETAINING E .48 X .04 TRU 5133-62	1
14	323905	SUPPORT, STEERING SHAFT	1
15	48901	SCREW, 5/16-18 X .63 WA H HC GR2	4
16	120393	WASHER, FLAT .344 X .69 X .065	4
17	1498	NUT, 5/16-18 REG HEX CTR LK	4
18	^	TIRE & RIM, PNEUMATIC 11 X 4.00-5	2
19	40677	WASHER, FLAT .640 X 1.25 X .06	4
20	20859	RING, RETAINING E .48 X .04 TRU 5133-62	2
21	36832	HUB CAP	2
22	301137	BEARING, WHEEL	2
23	301175	WHEEL	1
24		TIRE 11 X 4 - TURF (SEE TIRE TREAD PAGE)	1
25	24167	VALVE STEM	1
26		SEE ELECTRICAL SYSTEM	1

^ ORDER INDIVIDUAL PARTS.

30" RIDING MOWER MODEL D3595-060

TRACTION DRIVE ASSEMBLY



NOTE: ALWAYS USE ORIGINAL EQUIPMENT PARTS. Use of service/replacement parts other than original equipment parts may void your warranty.

ALL UNNUMBERED ITEMS ARE INTERCHANGEABLE WITH OPPOSITE SIDE

324114C

30" RIDING MOWER MODEL D3595-060

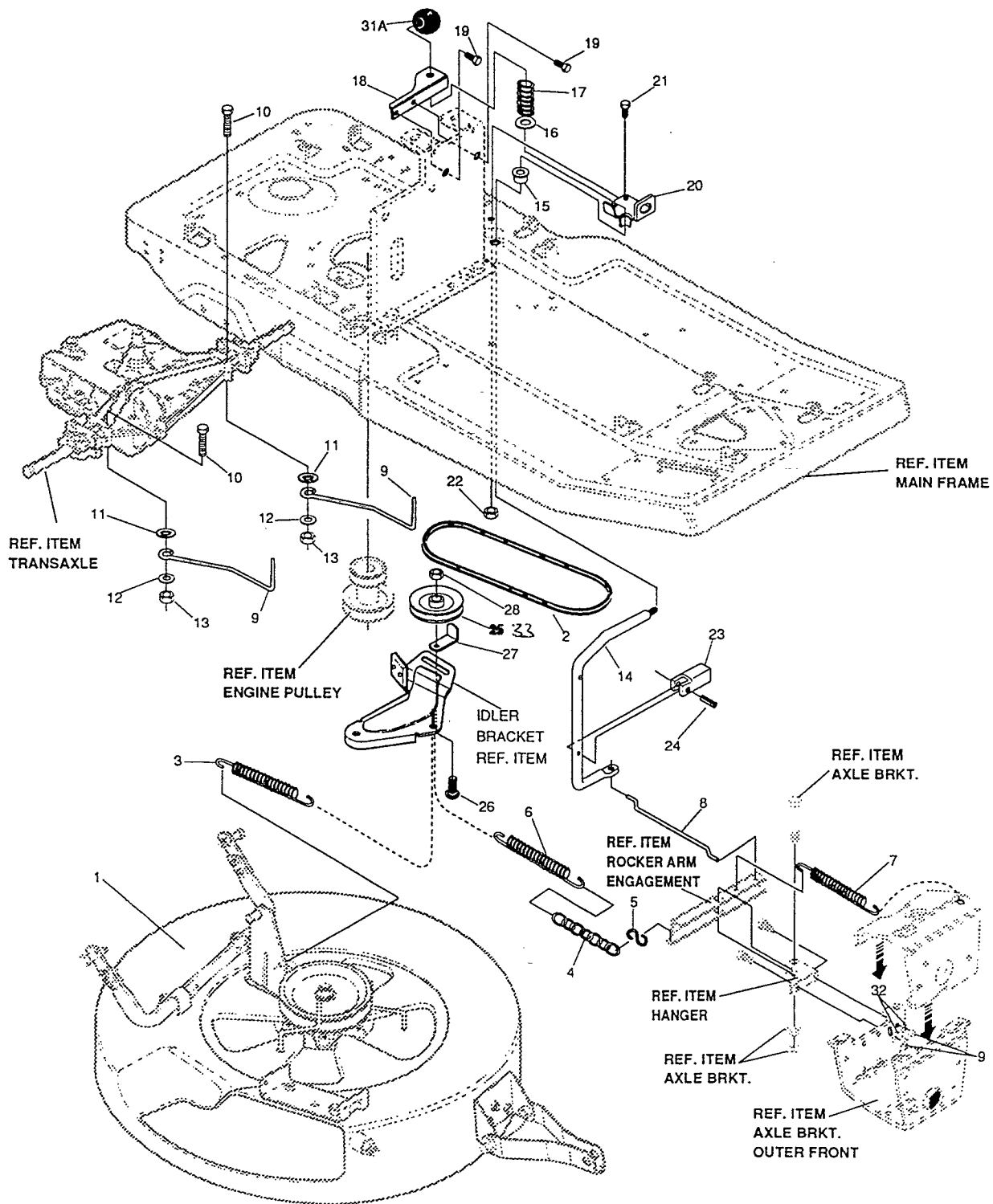
KEY#	PART#	DESCRIPTION	QTY.
1	^	TRANSAXLE	1
2	303109	PULLEY, TRANSAXLE	1
3	22053	RING, RETEX .58 X .04 TRU 5100-62	1
4	122083	SCREW, 5/16-18 X 2.50 HHC GR2	4
5	120393	WASHER, FLAT .344 X .69 X .065	4
6	1498	NUT, 5/16-18 REG HEX CTR LK	4
7	9796	BRACKET, TRANSAXLE	2
8	126211	BOLT, 5/16-18 X .63 CARR	4
9	1498	NUT, 5/16-18 REG HEX CTR LK	4
10	324199	BRACKET, TRANSAXLE SUPPORT	1
11	1498	NUT, 5/16-18 REGHXCTRLK	1
11A	122065	SCREW, 5/16-18X2.000	1
12	126211	BOLT, 5/16-18 X .63 CARR	1
13	1498	NUT, 5/16-18 REG HEX CTR LK	1
14	300575	BELT, V 4L	1
15	320600	PULLEY, ENG 3.315 OFF/3.87 D/3.00D	1
16	120383	WASHER, REG SPT LK .459 X .78 X .12	1
17	182761	SCREW, 7/16-20 X 2.50 HHC	1
18	26655	KEY, SQUARE .250 SQ X 2.50 LG	1
19	55488	BELT GUIDE	1
20	323874	SHIFT LEVER, BRKT	1
21	57157	WASHER, .750 X .250	1
22	56255	SCREW, 1/4-28 X .75 NYL HH CGR8	1
23	321482	ROD, SHIFT CONNECTING	1
24	120394	WASHER, FLAT .406 X .81 X .065	2
25	137185	PIN, COTTER .125 DIA X 1.00 LG	2
26	309255	HANDLE, SHIFT	1
27	120396	WASHER, FLAT .531 X 1.06 X .095	1
28	301133	SPRING, SHIFT LEVER	1
29	309053	BRACKET DETENT SHIFT	1
30	126216	BOLT, 5/16-18 X .75 CARR	2
31	120393	WASHER, FLAT .344 X .69 X .065	2
32	1498	NUT, 5/16-18 REG HEX CTR LK	2
33	303098-853	SHIFT CONTROL BRKT.	1
34	995346	SCREW, 1/4-20 X .50 WA HH TAP	2
35	12593	ARM, IDLER, TRANSAXLE DRIVE	1
36	41890	BOLT, .625 X .218 HH SH 5/16-18Z	1
37	4107	WASHER, FLAT .635 X 1.31 X .07	1
38	45602	WASHER, FLAT .333 X .87 X .119	1
39	301124	TINNERMAN CLIP	1
40	35410	SPRING .071 X .62 X 4.37	1
41	35374	PULLEY, IDLER	1
42	39659	RETAINER, STRAP BELT	1
43	274517	WASHER, FLAT .406 X .73 X .063	1
44	45892	BOLT, 3/8-16 X 1.50 CARR	1
45	1498	NUT, 3/8-16 REG HX CTR LK	1
46	323532	ROD CLUTCH	1
47	271184	NUT, 5/16-18 HEX KEPS	1
48	321378	BRKT. CLUTCH BRAKE	1
49	1498	NUT, 5/16-18 REG HEX CTR LK	1
50	39522	PIN CLEVIS .312 X .812	1
51	120393	WASHER, FLAT .344 X .69 X .065	3
52	8260	PIN, HAIR .091 DIA X 1.66 LG	1
53	3021	KEY, WOODRUFF	1
54	326856	SPRING, BRAKE	1
55	25086	BOLT, .500 X .375 HH SH 5/16-18	1
56	308188	WASHER, FLAT .515 X 1.31 X .09	2
57	1498	NUT, 5/16-18 REG HEX CTR LK	1
58	52840	PEDAL PAD	1
59	*	TIRE & RIM, PNEUMATIC	2
60	300588	SPACER,	2
61	52928	KEY, SQUARE .187 SQ X 2.25LG	2
62	42815	WASHER, FLAT .755 X 1.53 X .07	4
63	36625	RING, RET EX .57 X .05 TRU5133-75	2
64	40394	CAP, HUB	2
65	55514	SHIFT KNOB	1
66	305036	WHEEL	1
67	24167	VALVE STEM	1
68		TIRE 16 X 6.50 - 8 TURF (REFER TO TIRE TREAD PAGE)	1
69	313854	SPRING, 536 OD X .047 X 3.4	1
70	55488	BELT GUIDE	1
71	138489	WASHER, EXLK .384 X .69 X .04	1
72	122017	SCREW, 5/16-18 X 1.000	1
72A	120394	WASHER, FLAT .406 X .81 X .065	1
72B	1498	NUT, 5/16-18 X .75	1
73	138489	WASHER, EX LK .384 X .69 X .04	1
74	44582	CAP, PUSH NUT	1
75	300589	SPACER, ENGINE SHEAVE	1
76	56431	WASHER, .980ID X 1.38OD X .437 PILOT	1

^ CONTACT YOUR NEAREST TRANSAXLE DEALER FOR PARTS AND SERVICE.

* ORDER INDIVIDUAL PARTS.

30" RIDING MOWER MODEL D3595-060

MOWER DRIVE ASSEMBLY



NOTE: ALWAYS USE ORIGINAL EQUIPMENT PARTS.
Use of service/replacement parts other than original equipment parts may void your warranty.

**ALL UNNUMBERED
ITEMS ARE INTERCHANGEABLE
WITH OPPOSITE SIDE**

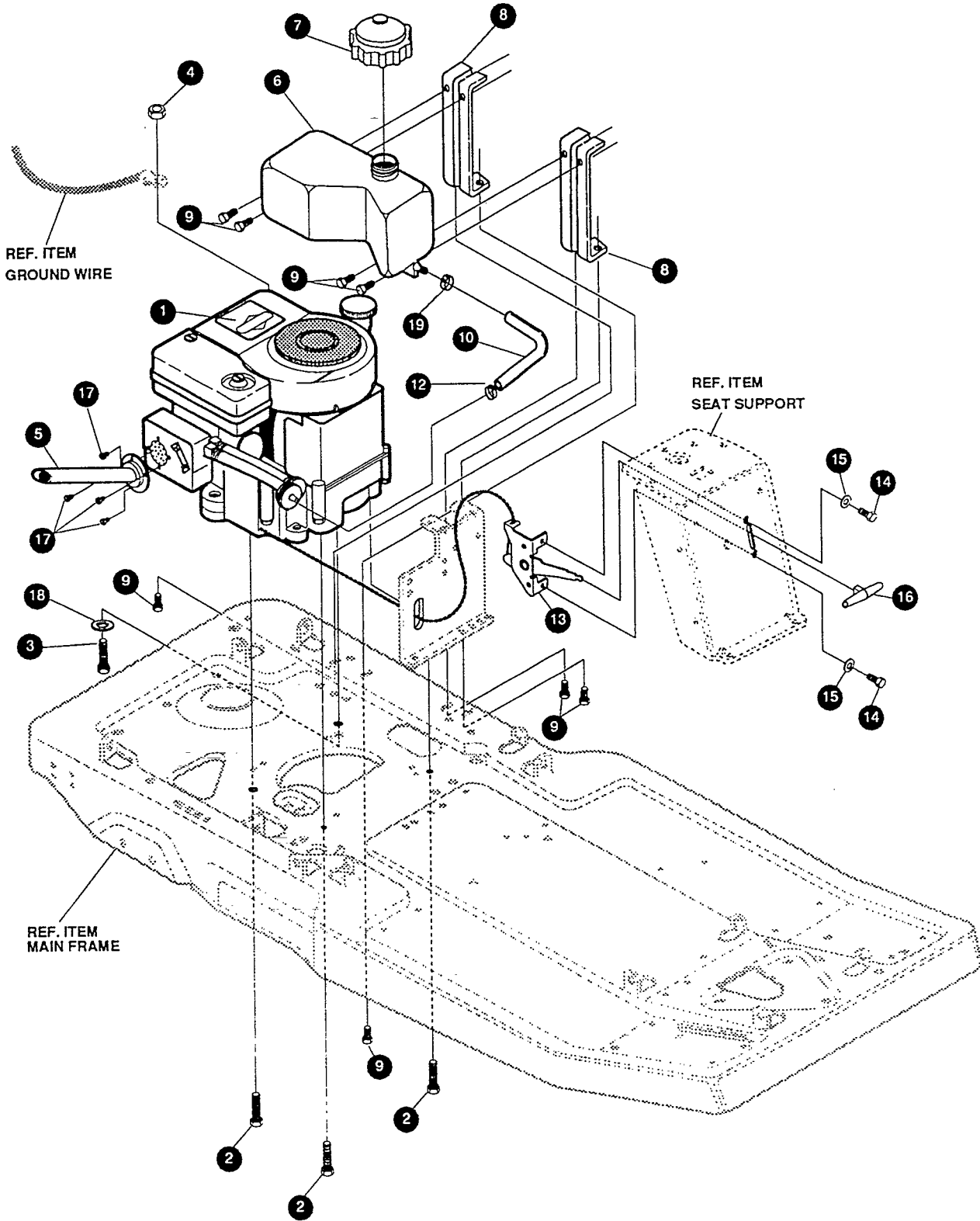
317797G

30" RIDING MOWER MODEL D3595-060

KEY#	PART#	DESCRIPTION	QTY.
1	321982-830	ASSY., DECK, PRE-PAINT 30"	1
2	56537	BELT, V 4L 50.5LG	1
3	35410	SPRING .071 X .62 X 4.37	1
4	310428	CHAIN, JACK	0.500 FT
5	310734	HOOK, S, 10 GA. STEEL	1
6	300683	SPRING, .75X6.3X.105 TENSION	1
7	323904	HANGER	1
8	180075	SCREW, 5/16-18X.63 HHC	2
9	1498	NUT, 5/16-18 REHHEXCTRLK	2
10	323903	ROCKER ARM, MOWER ENGAGEMENT	1
11	310364	BOLT .500X1.18 HSH 3/8-16	1
12	845	WASHER FLAT .390X1.25X.119	1
13	1499	NUT, 3/8-16 REGHXCTRLK	1
14	35410	SPRING .071 X .62 X 4.37	1
15	309049	ROD, CONNECTING	1
16	310388	GUIDE, BELT	2
17	122077	SCREW, 5/16-18X2.50 HHC	2
18	138485	WASHER, EXLK .320X.61X.03	2
19	120393	WASHER, FLAT .344X .69X.065	2
20	1498	NUT, 5/16-18 REGHEXCTRLK	2
21	309048	HANDLE, MOWER ENGAGEMENT	1
22	310351	BEARING, FLANGED, NYLON	1
23	304291	RETAINER,SPRING	1
24	304398	SPRING COMPRESSION	1
25	311107-853	SUPPORT BRACKET PTO	1
26	995346	SCREW, 1/4-20X .50 WAHHTAP	2
27	310309	BRACKET, PTO LIMIT	1
28	35498	SCREW, 5/16-18X .75 WAHHTAP	1
29	1498	NUT, 5/16-18 REGHEXCTRLK	1
30	305225	STOP,PTO ENGAGEMENT	1
31	326386	PIN, SPRING.187DIAX1.12LG	1
31A	55514	SHIFT KNOB	1
32	120393	WASHER, FLAT .344X.69X.065	2
33	45074	PULLEY, IDLER V4L 3.06 X .72	1
34	45892	BOLT, 3/8-16 X 1.50 CARR GR2 Z	1
35	39659	RETAINER, BELT	1
36	1499	NUT, 3/8-16 REGHXCTRLK	1

30" RIDING MOWER MODEL D3595-060

ENGINE ASSEMBLY



NOTE: ALWAYS USE ORIGINAL EQUIPMENT PARTS. Use of service/replacement parts other than original equipment parts may void your warranty.

ALL UNNUMBERED ITEMS ARE INTERCHANGEABLE WITH OPPOSITE SIDE

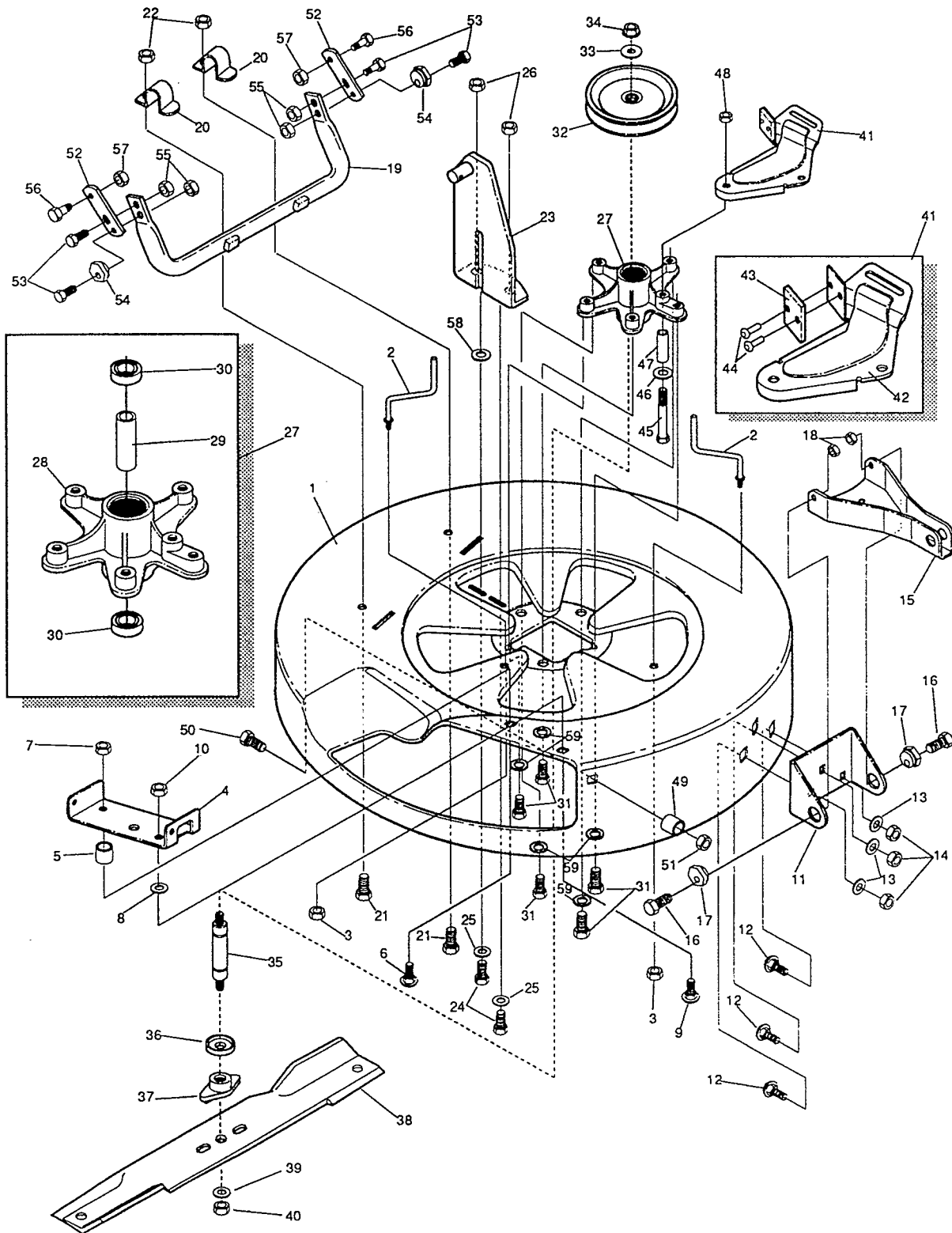
321973B

30" RIDING MOWER MODEL D3595-060

KEY#	PART#	DESCRIPTION	QTY.
1	ENGINE	(SEE ENGINE MANUAL)	1
2	50947	SCREW, 3/8-16 X 1.250 WD FL LK	3
3	180083	SCREW, 5/16 - 18 X 1.50 HHC	1
4	44108	NUT, 5/16 - 18 H WD FL LK	1
5	309960	EXHAUST ASSY.	1
6	314986	TANK, GAS-ELEC, 1.3 GAL	1
7	12501	CAP, FUEL -2.5 THROAT	1
8	313368	SUPPORT, GAS TANK	2
9	995346	SCREW, 1/4-20 X .50 WA HH TAP	8
10	47452	GAS LINE .25 ID BULK LENGTH	22 IN.
12	48672	CLAMP, FUEL LINE	1
13	321240	CONTROL, THROTTLE	1
14	35287	SCREW #8-32 X .38 HH WA TAP	2
15	414106	WASHER, FLAT .188 X .38 X .040	2
16	39486	THROTTLE CONTROL KNOB-ROUND	1
17	57366	SCREW, DRILL TITE	4
18	138485	WASHER, EX LK .320 X .61 X .03	1
19	47345	CLAMP HOSE	1

30" RIDING MOWER MODEL D3595-060

PRE-PAINTED DECK ASSEMBLY



NOTE: ALWAYS USE ORIGINAL EQUIPMENT PARTS. Use of service/replacement parts other than original equipment parts may void your warranty.

ALL UNNUMBERED ITEMS ARE INTERCHANGEABLE WITH OPPOSITE SIDE

313589D

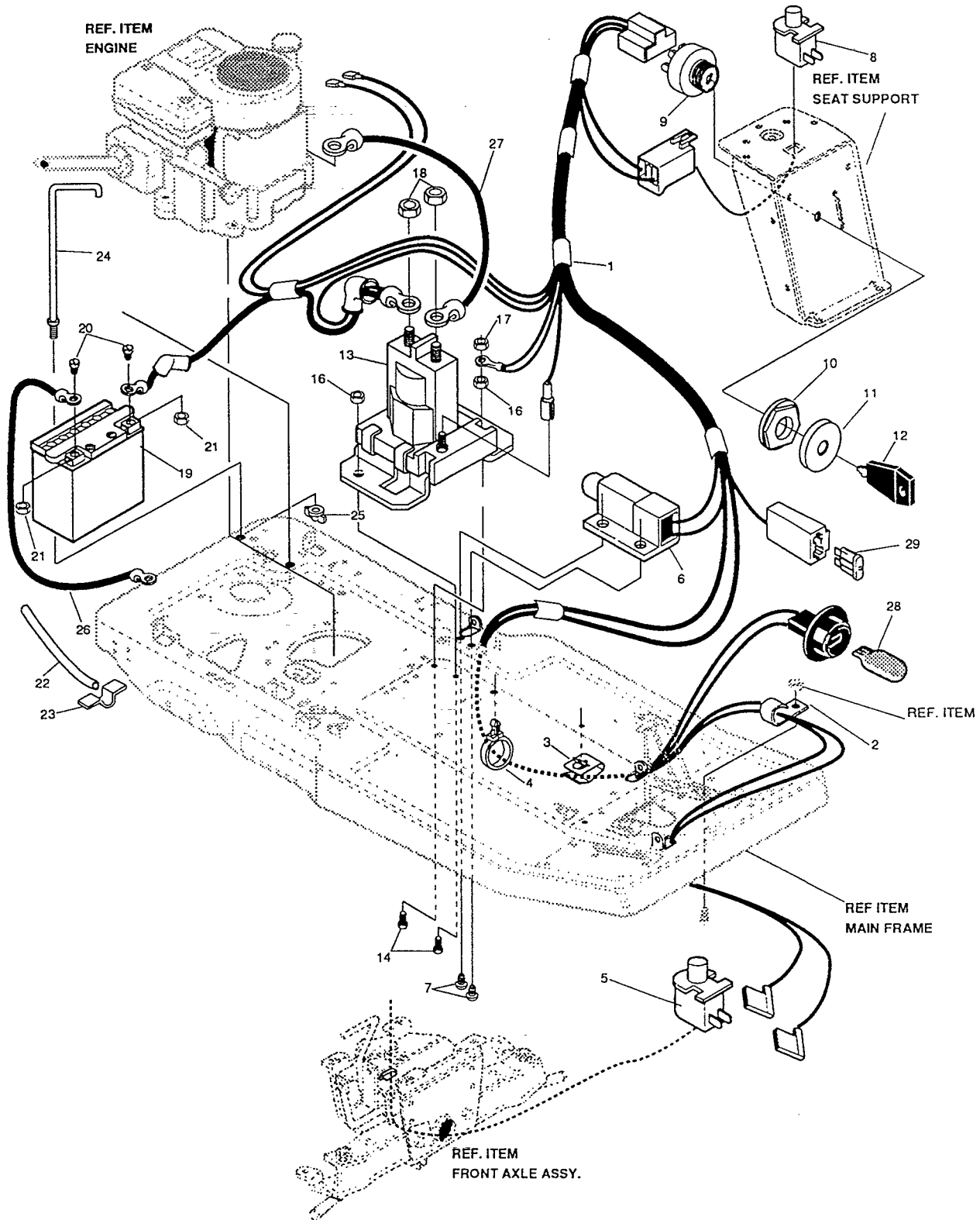
30" RIDING MOWER MODEL D3595-060

KEY#	PART#	DESCRIPTION	QTY.
1	^	DECK, MOWER 30 INCH	1
2	57318	GUIDE, BELT 5/16-18 THD	2
3	1498	NUT, 5/16-18 REGHEXCTRLK	2
4	317017	BRACKET CHUTE MOUNT	1
5	314702	SPACER .344X1.00X.500	1
6	120230	BOLT, 5/16-18X1.25 CARR	1
7	1498	NUT, 5/16-18 REGHEXCTRLK	1
8	45602	WASHER, FLAT .333X .87X.119 Z	1
9	126216	BOLT, 5/16-18X .75 CARR GR2 Z	1
10	1498	NUT, 5/16-18 REGHEXCTRLK	1
11	311237-853	BRACKET, MOUNTING, FRONT	1
12	57072	BOLT, 5/16-18X .63 CARR	3
13	120393	WASHER, FLAT .344X .69X.065	3
14	1498	NUT, 5/16-18 REGHEXCTRLK	3
15	311236-853	BRACKET, BAR, TOW, FRONT	1
16	122017	SCREW, 5/16-18X1.00 HHC	2
17	58247	ADJUSTING NUT	2
18	1498	NUT, 5/16-18 REGHEXCTRLK	2
19	313372-853	ASSY., TUBE, PIVOT	1
20	310672	SUPPORT,PIVOT TUBE	2
21	180077	SCREW, 5/16-18X .75 HHC	2
22	1498	NUT, 5/16-18 REGHEXCTRLK	2
23	314119-853	ASSY LIFT BRKT	1
24	180077	SCREW, 5/16-18X .75 HHC GR5 Z	2
25	120393	WASHER, FLAT .344X .69X.065	2
26	1498	NUT, 5/16-18 REGHEXCTRLK	2
27	313588	ASSEMBLY, QUILL	1
28	314272	QUILL, MACHINED CASTING	1
29	314274	TUBE, SPACER	1
30	313576	BEARING, BALL, 6204-2RS-Q	2
31	50634	SCREW, 5/16-18X .88 WAHTAP	5
32	314273-853	PULLEY ASSEMBLY	1
33	22265	WASHER, FLAT .515X1.38X.119PL	1
34	1500	NUT, 1/2-13 REGHXCTRLK	1
35	314271	SHAFT, QUILL 30" MOWER	1
36	313577	SHIELD, DUST, BEARING	1
37	313584	HUB, BLADE ADAPTOR	1
38	314826	BLADE, 30" TD MOWER .7 WING	1
39	22265	WASHER, FLAT .515X1.38X.119PL	1
40	1500	NUT, 1/2-13 REGHXCTRLK	1
41	12229-853	BRACKET, IDLER ASSEMBLY	1
42	313510-853	BRACKET, ARM, IDLER	1
43	306973	BRAKE PAD - HARD - 232AF	1
44	41601	RIVET, OVSET .187DIAX .50LG	2
45	180091	SCREW, 5/16-18X2.50 HHC	1
46	45602	WASHER, FLAT .333X .87X.119	1
47	314824	SPACER, .322 X .625 X 1.810	1
48	44108	NUT, 5/16-18 HWDFLCTRLK	1
49	50520	SPACER	1
50	126216	BOLT, 5/16-18X .75 CARR	1
51	1498	NUT, 5/16-18 REGHEXCTRLK	1
52	314099-853	BRACKET, BAR, REAR STABIL	2
53	122017	SCREW, 5/16-18X1.00 HHC	4
54	58247	ADJUSTING NUT	2
55	1498	NUT, 5/16-18 REGHEXCTRLK	4
56	51940	BOLT, .500X .437 HSH 3/8-16	2
57	1499	NUT, 3/8-16 REGHXCTRLK	2
58	45602	WASHER, FLAT .333 X .87 X .119Z	1
59	138485	WASHER, EXLK .320X.61X.03	5

^ ORDER DECK KIT# 328711 FOR COMPLETE DECK.

30" RIDING MOWER MODEL D3595-060

ELECTRICAL ASSEMBLY



NOTE: ALWAYS USE ORIGINAL EQUIPMENT PARTS.
Use of service/replacement parts other than original equipment parts may void your warranty.

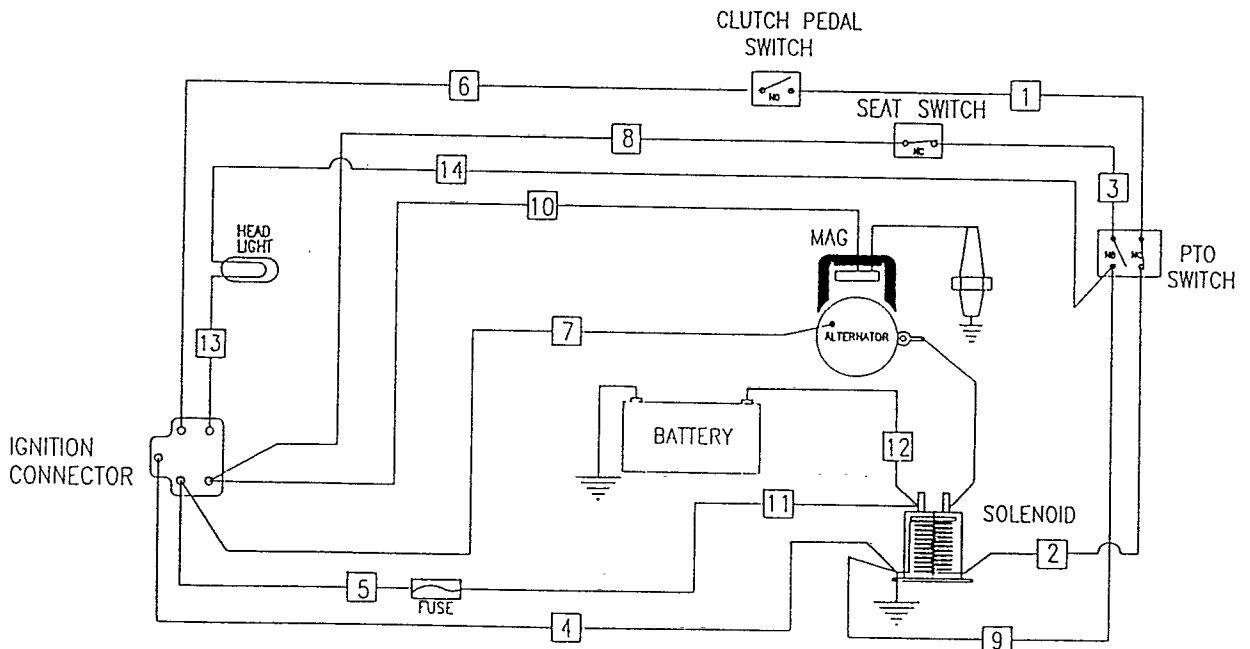
**ALL UNNUMBERED
ITEMS ARE INTERCHANGEABLE
WITH OPPOSITE SIDE**

321957F

30" RIDING MOWER MODEL D3595-060

KEY#	PART#	DESCRIPTION	QTY.
1	321951	HARNES, ELEC RER C2 8-11B&S	1
2	57569	RETAINER, .311DX.62X.03 WIRE	1
3	309098	CLIP, TRW #C4490-022-27	1
4	309698	CLIP, WIRE ROUTING, SNAP-IN	1
5	326653	SWITCH,SNAP MNT NO .055/.116 BLK	1
6	57476	SWITCH,SCR MNT DP NC	1
7	57220	SCREW, #12 X .50 PHPNHTAP	2
8	326654	SWITCH,SNAPMNT NC .140 BLUE	1
9	327354	SWITCH, IGNITION & LIGHTS	1
10	327352	NUT, 5/8-32 IGN SWIT	1
11	300194	BOOT,SWITCH	1
12	327350	KEY, IGNITION SWITCH	1
13	53716	SOLENOID, NEW CLUM	1
14	187745	SCREW, 1/4-20X .75 HXSEMMA	2
16	1502	NUT, 1/4-20 REGHEXCTRLK	2
17	271172	NUT, 1/4-20 REGHEXKEPS	1
18	271187	NUT, 5/16-24 HKEPS	2
19	55472	BATTERY, YUASA 12N14	1
20	13487	SCR., METRIC, 6X1X11	1
21	13487	NUT, METRIC, 6X1 HEX	1
22	55636	DRAIN TUBE, BATT	1
23	41482	CLIP, 1.380LG .255ID PRESS WIRE	1
24	323648	HOLD DOWN BRKT	1
25	325232	NUT, WING 1/4-20 NYLON	1
26	55511	WIRE, GROUND, 12.5"	1
27	322698	WIRE, STARTER,	1
28	52572	BULB, HEADLAMP	1
29	302031	FUSE SPADE TYPE 32V 15A	1

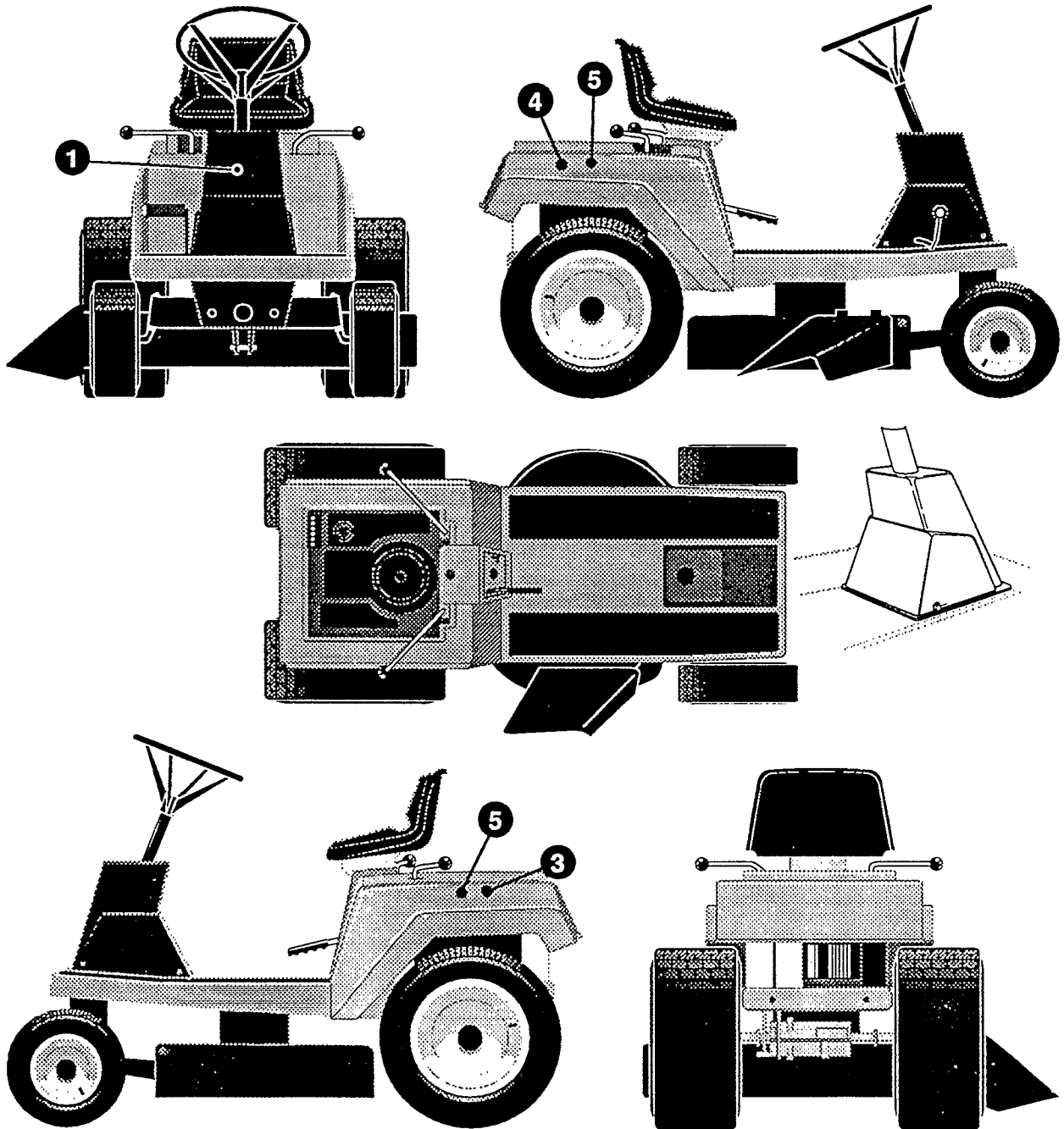
SCHEMATIC DRAWING



POS.	G	M	B	L	S
OFF	○	○			
RUN/LIGHTS			○	○	
RUN					
START			○	○	

30" RIDING MOWER MODEL D3595-060

DECALS (DECORATIVE)



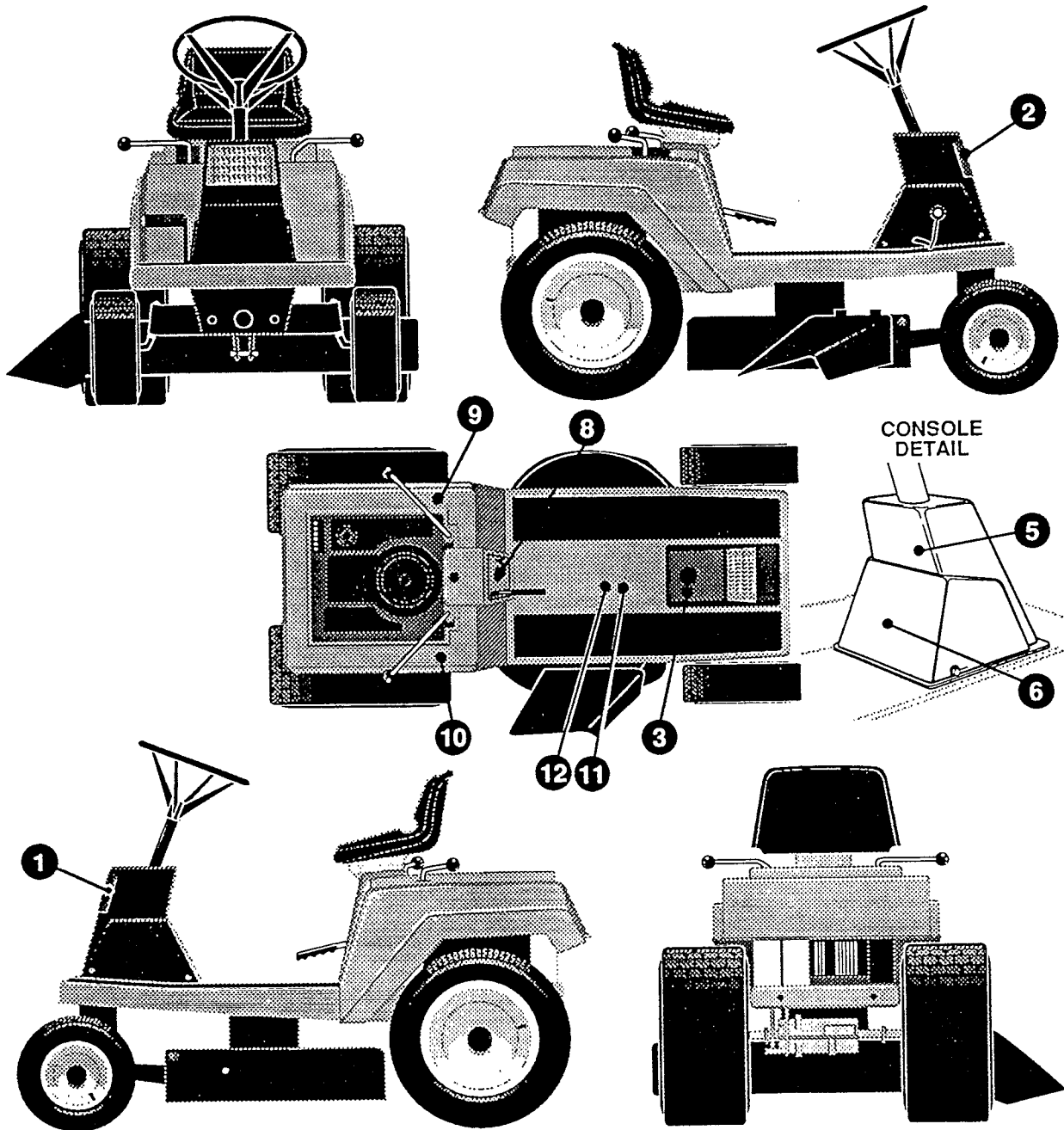
327728A

30" RIDING MOWER MODEL D3595-060

KEY#	PART#	DESCRIPTION	QTY.
1.	306557	DECAL, NOMA LENS, LH C-2 LITE	1
2.	306558	DECAL, NOMA LENS, RH C-2 LITE	1
3.	317348	DECAL, PARK'N/BRAKE ISO	1
4.		REFERENCE ONLY	1
5.	311227	DECAL, HEARING PROTECTION	1
6.	327462	DECAL, INSTR EXPORT	1
7.		REFERENCE ONLY	1
8.	320704	DECAL, CONTROL 30". W/LITE	1
9.	305397	DECAL, PTO ENGAGEMENT, ISO	1
10.	311232	DECAL, SHIFT, 5SP, ISO, DOM.	1
11.	305770	DECAL, CAUTION TRIANGLE EUROPE	1
12.	327461	DECAL, DECK, WARN, GR, FR	1

30" RIDING MOWER MODEL D3595-060

DECALS (INSTRUCTIONAL)

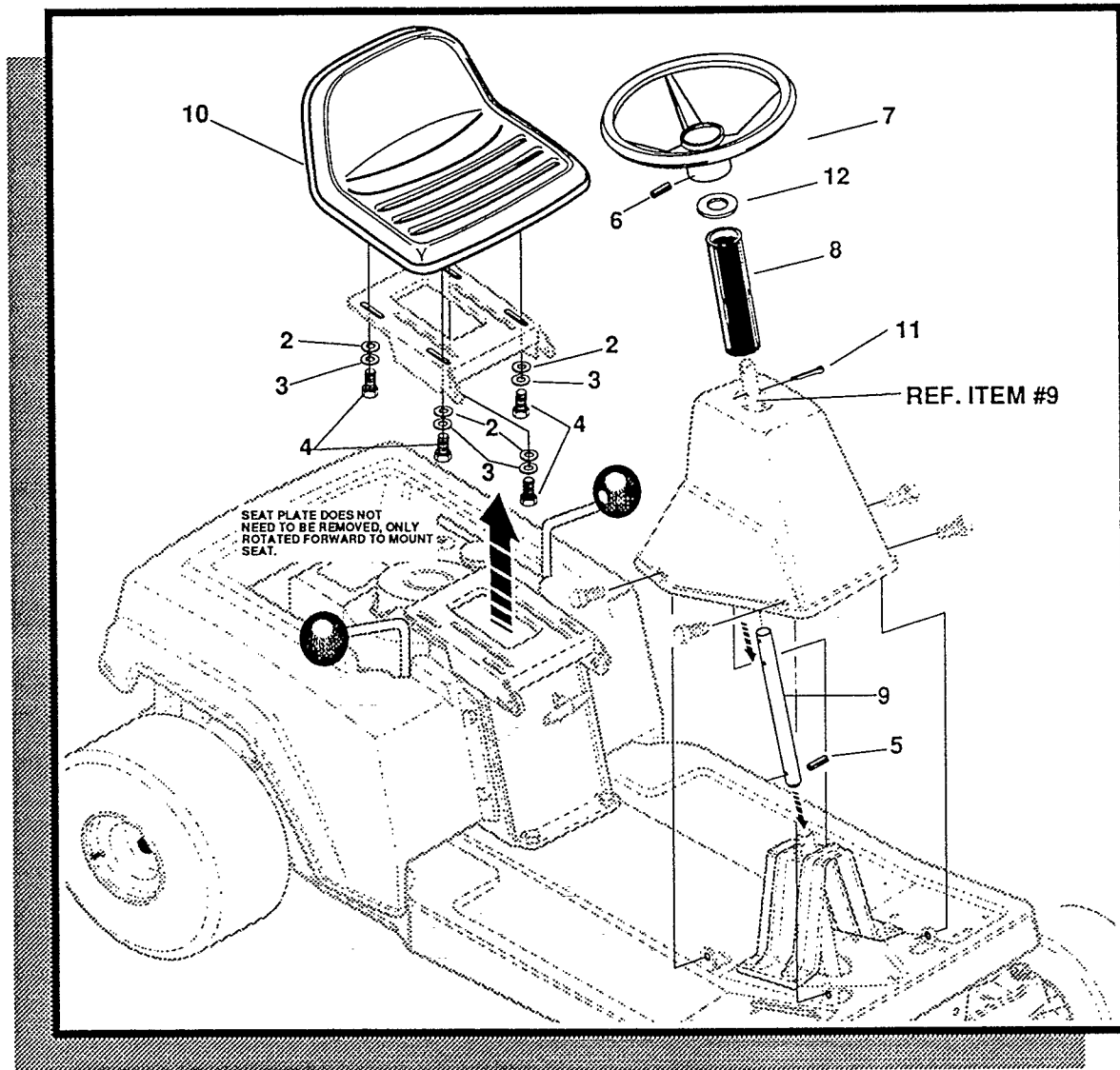


30" RIDING MOWER MODEL D3595-060

KEY#	PART#	DESCRIPTION	QTY.
1.	323627	NAMEPLATE, 8/30 CONSOLE	1
2.		REFERENCE ONLY	1
3.	402127	DECAL, UNITECH, LH	1
4.	402126	DECAL, UNITECH,RH	1
5.	402137	NAMEPLATE, UNITECH MEDIUM SILVER	2

30" RIDING MOWER MODEL D3595-060

CUSTOMER ASSEMBLY



CUSTOMER ASSEMBLY VIEW

KEY#	PART#	DESCRIPTION	QTY
2	120393	WASHER, FLAT .344 X .69 X .065	4
3	120638	WASHER, HV SPT LK .328 X .60 X .11	4
4	122007	SCREW, 5/16 -18 X .75 HHC GR2	4
5	417375	PIN, SPRING .187 DIA X 1.25 LG MD	1
6	456836	PIN, SPRING .250 DIA X 2.25 LG HVPL	1
7	323717	WHEEL, STEERING DEEP/GREY,630	1
8	323718	TUBE, DECORATIVE, GREY 630	1
9	300797	TUBE-STEERING	1
10	327722	SEAT, M350 G/B	1
11	120123	PIN, COTTER .125 DIA X 1.25 LG Z	1
12	301702	WASHER, FLAT .90 X 1.56 X .89	1