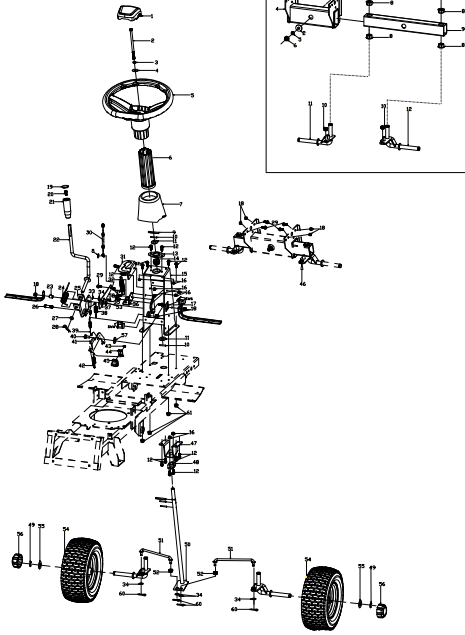
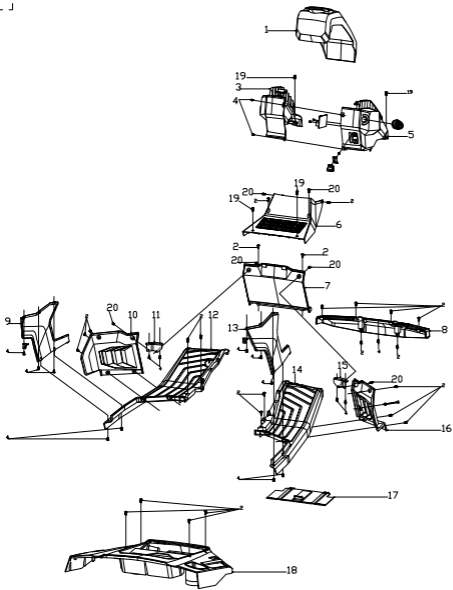


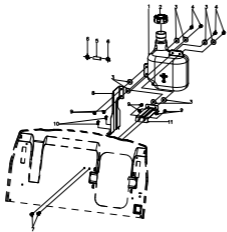
B

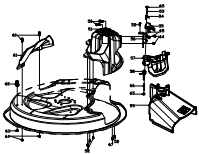
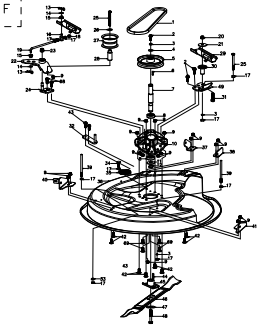


D

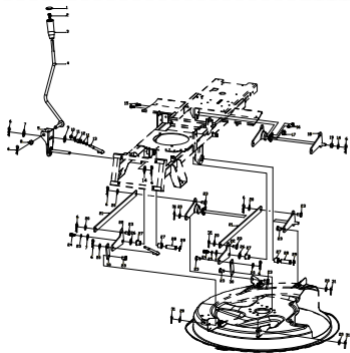


E





G

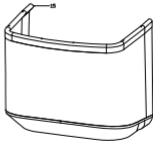
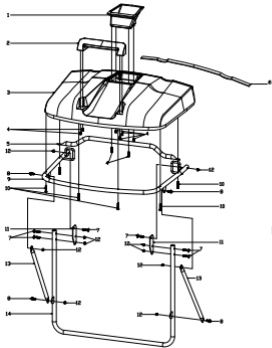


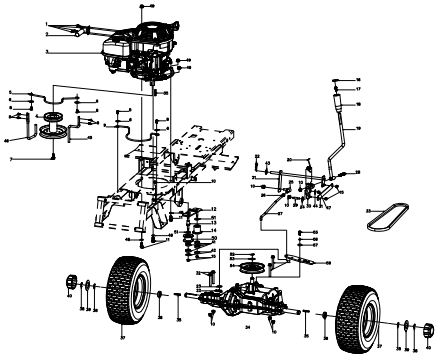
H



H-2







POS	QTY	PARTNUMBER	BESKRIVELSE	DESCRIPTION
A-01	1	454826	SÆDE	SEAT
A-02	2	454827	ANTI-VIBRATION FJEDER	SEAT VIBRATION DAMPING SPRINGS
A-03	23	439963	MØTRIK M8	NUT
A-04	1	453228	SÆDEBESLAG	SEAT FIXING PLATE
A-05	4	435705	SKIVE	FLAT WASHER
A-06	8	453229	BOLT	BOLT
A-07	1	453258	FJEDER	TENSIONING SPRING
A-08	4	452932	SKIVE 8	SPRING WASHER
A-09	1	453255	FJEDER	BRAKE SPRING
A-10	1	453256	RAMME	FRAME ASSEMBLY
A-11	1	453275	PLADE	BACKWARD SWITCH FIXING PLATE
A-12	1	453257	FIKSERINGSPLADE	DRIVE AXLE SIDE FIXING PLATE
A-13	21	433356	BOLT M16 M6X16	BOLT M16
A-14	1	452886	BOLT M8X16	BOLT
A-15	1	453283	FJEDER	SPRING
A-16	1	453282	BOLT	BOLT
A-17	18	419273	MØTRIK M6	NUT M6
A-18	1	453233	STANG	SEAT VIBRATION DAMPENING SPRING RETAINER
A-19	10	419350	STÅLBOLT M6X12	STEEL BOLT M6X12
A-20	1	453236	HÅNDTAG	PLASTIC GRIP
A-21	1	453237	FARTREGULATOR	SPEED GOVERNOR
A-22	1	453239	GASKABEL	THROTTLE CABLE
A-23	1	453235	GEARSKIFTEPANEL	GEAR SHIFT LEVER PANEL.
A-24	2	439973	SKRUE	SCREW
A-25	2	453241	BOLT	BOLT
A-26	1	453242	SUPPORTPLADE	SUPPORT PLATE
A-27	2	453240	SÆDEFORBINDELSSESSTANG	SEAT LINKAGE ROD
A-28	2	453244	SUPPORT STANG	SUPPORT RODS
A-29	8	453243	BOLT	BOLT
A-30	1	453234	PANEL HØJDEJUSTERING	HEGIHT ADJUSTMENT PANEL
A-31	1	453245	BESLAG VENSTRE	LEFT BRACKET FOR GRASS BAG
A-32	6	453278	BOLT M5X16	BOLT M5X16
A-33	1	453246	FORBINDELSPLADE SÆDEKOBLING VENSTRE	LEFT CONNECTING PLATE FOR SEAT LINKAGE R
A-34	1	453247	BESLAG	SEAT FRAME SUPPORT BRACKET
A-35	4	453248	PLADE	FRAME CONNECTION REINFORCEMENT PLATE
A-36	8	442554	BOLT M8X45	BOLT
A-37	1	453249	FORBINDELSPLADE SÆDEKOBLING HØJRE	RIGHT CONNECTING PLATE FOR SEAT LINKAGE
A-38	1	453250	BESLAG HØJRE	RIGHT BRACKET FOR GRASS BAG
A-39	2	453268	PIN	PIN
A-40	1	453270	BREMSEKABEL	BRAKE CABLE
A-41	1	453269	KOBLINGSKABEL	SELF-PROPELLED CLUTCH CABLE

POS	QTY	PARTNUMBER	BESKRIVELSE	DESCRIPTION
A-42	1	453290	STIFT	PIN
A-43	3	453264	PUDE	BRAKE PEDAL PAD
A-44	3	453265	BREMSEPEDAL HOLDEPLADE	BRAKE PEDAL RETAINER PLATE
A-45	1	453266	STANG BREMSEPEDAL	BRAKE PEDAL RODS
A-46	1	453267	BREMSEPEDAL	BRAKE PEDAL
A-47	2	453332	SPLIT	SPLIT PIN
A-48	2	419242	SKIVE 8.5X16X1.54	WASHER 8.5X16X1.54
A-49	1	453261	BESLAG FODHVILER	FOOTREST RIGHT FIXING PLATE
A-50	6	442557	SKRUE 4.8X13	SCREW
A-51	1	453260	SUPPPORTPLADE FODHVILER	FOOTREST SUPPORT PLATE
A-52	4	453277	BOLT M5X12	BOLT M5X12
A-53	1	453262	BESLAG	BLADE CLUTCH CABLE FIXING PLATE
A-54	1	453273	PEDAL	REVERSE MOWING PEDAL ASSEMBLY
A-55	2	452884	SKIVE Ø12	CIRCLIP
A-56	1	453274	FJEDER	REVERSE GEAR CUTTING RETURN SPRING
A-57	1	453272	PLADE	REVERSE MOWING SWITCH FIXING PLATE
A-58	1	453259	BOLT	BOLT
A-59	1	453263	FIKSERINGSPLADE VENSTRE	FOOTREST LEFT FIXING PLATE
A-60	2	453279	PLADE	UPPER COVER FIXING PLATE
A-61	3	434589	BØS	BUSH
A-62	3	439976	SKRUE	SCREW
A-63	1	419263	MØTRIK M5	NUT M5
A-64	1	453251	PANEL ØVRE	UPPER PANEL
A-65	1	453253	SIKKERHEDSAFBRYDERPLADE	GRASS BAG SAFTY SWITCH PLATE
A-66	1	448048	SKRUE M5X12	SCREW
A-67	2	453252	WIRE	WIRE CLIP
A-68	1	453254	PANEL NEDRE	LOWER PANEL
A-69	2	452847	BOLT M8X25	SCREW
A-70	1	453238	PLADE	FIXED PLATE
A-71	1	453280	BESLAG	FIX PLATE
A-72	1	453281	KROG FOR OPSAMLER	GRASS BOX LIMIT HOOKS
A-73	10	419295	MØTRIK M6	NUT M6
B-01	1	453284	RAT DÆKSEL	STEERING WHEEL COVER
B-02	1	453285	BOLT	BOLT
B-03	1	452932	SKIVE 8	SPRING WASHER
B-04	1	435705	SKIVE	FLAT WASHER
B-05	1	453286	RAT	STEERING WHEEL
B-06	1	453287	KRAVE	STEERING CONNECTION SLEEVE
B-07	1	453288	COVER	STEERING WHEEL BOTTOM COVER
B-08	1	419242	SKIVE 8.5X16X1.54	WASHER 8.5X16X1.54
B-09	1	453289	STIFT	PIN
B-10	2	453290	STIFT	PIN

POS	QTY	PARTNUMBER	BESKRIVELSE	DESCRIPTION
B-11	2	453291	SKIVE	FLAT WASHER
B-12	14	433356	BOLT M16 M6X16	BOLT M16
B-13	1	453292	STYREPLADE	STEERING SHAFT PLATE
B-14	1	453293	BØS	STEERING SHAFT BUSHINGS
B-15	1	453294	STYRHOLDER	STEERING SHAFT SUPPORT SEAT
B-16	8	419273	MØTRIK M6	NUT M6
B-17	1	90102747	SÆTBOLT 8.8 M8X35	SET BOLT M8X35
B-18	7	439963	MØTRIK M8	NUT
B-19	1	453295	COVER HÅNDTAG	HANDLE COVER
B-20	1	421752	BOLT M6X35	BOLT M6X35
B-21	1	434647	HÅNDTAG	HANDLE
B-22	1	453296	KOBLINGSHÅNDTAG	BLADE CLUTCH OPERATING LEVER
B-23	1	453297	BØS 8X12X15.5	BUSHING 8×12×15.5
B-24	1	453298	FJEDER	BLADE CLUTCH OPERATING LEVER SPRING
B-25	1	453299	BESLAG	BLADE CLUTCH PULLER ASSEMBLY
B-26	1	453300	BOLT	BOLT
B-27	1	453301	SKIVE	FLAT WASHER
B-28	1	453271	SPLIT	SPLIT PIN
B-29	5	453229	BOLT	BOLT
B-30	1	453302	KOBLINGSKABEL KNIV	BLADE CLUTCH CABLE
B-31	1	453303	GEARPLADE	BLADE CLUTCH GEAR PLATE
B-32	1	453304	FJEDER	CUTTER BELT BRAKE TENSION SPRING
B-33	1	453305	LÅSERING	CIRCLIP
B-34	5	419242	SKIVE 8.5X16X1.54	WASHER 8.5X16X1.54
B-35	1	453306	STIFT	PIN
B-36	1	453307	BESLAG	BRAKE CABLE FIXING PLATE
B-37	1	453308	PLADE	BLADE CLUTCH CABLE MOUNTING PLATE ASSEMB
B-38	1	453309	FJEDER	BLADE CLUTCH RETURN TENSION SPRING
B-39	1	453310	FJEDER	PARKING RETURN TENSION SPRING
B-40	1	453241	BOLT	BOLT
B-41	1	453311	BESLAG	PARKING PLATE ASSEMBLY
B-42	1	453312	FJEDER	PARKING SPRING
B-43	1	435711	BOLT	SCREW
B-44	1	453313	PLADE	PARKING PLATE
B-45	1	453314	PARKERINGSHÅNDTAG	PARKING HANDLE
B-46	1	453315	FRONTRAMME KPL.	FRONT FRAME ASSEMBLY
B-46-01	1	453316	BOLT	BOLT
B-46-02	2	452867	SKIVE 10.5X30X2.5	WASHER
B-46-03	1	453317	BØS	FRONT WHEEL SUSPENSION BEAM AXLE BUSHING
B-46-04	1	453318	RAMME	FRONT CROSSMEMBER ASSEMBLY
B-46-05	1	437858	SKIVE 10	WASHER 10
B-46-06	1	437857	MØTRIK M10	NUT M10
B-46-07	2	452884	SKIVE Ø12	CIRCLIP

POS	QTY	PARTNUMBER	BESKRIVELSE	DESCRIPTION
B-46-08	4	453319	FORHJULSAKSELBØSNING	FRONT WHEEL AXLE BUSHING
B-46-09	1	453320	TVÆRSTANG	FRONT WHEEL SUSPENSION BEAM
B-46-10	2	453321	BØS	STEERING LINKAGE BUSHING
B-46-11	1	453322	VENSTRE FORHJULSAKSEL	LEFT FRONT WHEEL AXLE ASSEMBLY
B-46-12	1	453323	HØJRE FORHJULSAKSEL	RIGHT FRONT WHEEL AXLE ASSEMBLY
B-47	1	453324	BESLAG	STEERING SHAFT MOUNTING PLATE
B-48	1	453325	BØS	STEERING SHAFT FIXED BUSHING
B-49	2	452884	SKIVE Ø12	CIRCLIP
B-50	1	453326	AKSEL	STEERING SHAFT ASSEMBLY
B-51	2	453327	STANG	STEERING LINKAGE
B-52	2	453321	BØS	STEERING LINKAGE BUSHING
B-53	2	453562	SKIVE	FLAT WASHER
B-54	2	454828	FORHJUL	13INCH WHEEL ASSY
B-55	2	453329	PAKNING	GASKET
B-56	2	453330	HJULKAPSEL	WHEEL COVER
B-57	1	453331	SKIVE	FLAT WASHER
B-58	2	442562	BOLT M6X15	SCREW
B-59	1	419246	MØTRIK M8	NUT M8
B-60	4	453332	SPLIT	SPLIT PIN
B-61	4	419295	MØTRIK M6	NUT M6
C-01	1	453333	MØTRIK	NUT
C-02	1	453334	BOLT	BOLT
C-03	2	453335	STRIPS	NYLON TIES
C-04	9	453336	STRIPS	NYLON TIES
C-05	1	422020	LADER	CHARGER
C-06	1	453337	LADEKABEL	CHARGING CABLE
C-07	1	453338	OPLADERLEDNING I BATTERI	CHARGER WIRE IN BATTERY
C-08	1	453339	BATTERI 12V/7AH	BATTERY
C-09	1	453340	STARTNØGLE KPL.	KEY ASSEMBLY
C-10	1	453341	LEDNING	WIRE
C-11	1	453342	SIKRING 10A	FUSE 10A
C-12	1	453343	LEDNING MOTOR	MOTOR WIRE
C-13	1	453344	RELÆ	RELAY
C-14	1	453345	LEDNING BATTERI	BATTERY WIRE
C-15	1	453346	LEDNING	WIRE
C-16	4	453347	KONTAKT	SWITCH
C-17	1	454829	LEDNING	WIRE
C-18	2	439976	SKRUE	SCREW
C-19	1	454830	PRINTPLADE	PCB
C-20	1	453350	LEDNING	WIRE
C-21	1	453351	KRAVE	SLEEVE
C-22	1	454831	LEDNING	WIRE
C-23	1	454832	KONTAKT	SWITCH
D-01	1	453352	FRONT	FRONT PART
D-02	24	453353	SKRUE	SCREWS
D-03	1	453354	VENSTRE COVER	LEFT COVER

POS	QTY	PARTNUMBER	BESKRIVELSE	DESCRIPTION
D-04	17	439973	SKRUE	SCREW
D-05	1	453355	HØJRE COVER	RIGHT COVER
D-06	1	453356	NEDRE COVER	LOWER COVER
D-07	1	453357	SÆDE FRONT COVER	SEAT BASE FRONT COVER
D-08	1	453358	FRONT COVER	FRONT COVER
D-09	1	453359	VENSTRE SIDE COVER	LEFT SIDE COVER
D-10	1	453360	SÆDE VENSTRE COVER	SEAT BASE LEFT COVER
D-11	1	453361	VENSTRE FORBINDELSLED	LEFT CONNECT PLATE
D-12	1	453362	FODHVILEPLADE VENSTRE	LEFT FOOTREST PLATE
D-13	1	453363	HØJRE SIDE COVER	LEFT RIGHT COVER
D-14	1	453364	FODHVILEPLADE HØJRE	RIGHT FOOTREST PLATE
D-15	1	453365	HØJRE FORBINDELSLED	RIGHT CONNECT PLATE
D-16	1	453366	SÆDE HØJRE COVER	SEAT BASE RIGHT COVER
D-17	1	453367	COVER	COVER
D-18	1	453368	ØVRE COVER	UPPER COVER
D-19	4	442541	SKRUE 4.8X25	SCREW
D-20	6	453353	SKRUE	SCREWS
E-01	1	453369	OLIETANK	OIL TANK
E-02	1	453370	TANKLÅG	TANK CUP
E-03	8	448154	PAKNING	GASKET
E-04	4	419398	BOLT M6X22	BOLT M6X22
E-05	1	453371	SLANGE	FUEL PIPE
E-06	2	453372	KLEMME	COAX
E-07	2	433356	BOLT M16 M6X16	BOLT M16
E-08	1	453373	BESLAG	OIL TANK LOWER BRACKETS
E-09	6	419273	MØTRIK M6	NUT M6
E-10	2	453277	BOLT M5X12	BOLT M5X12
E-11	1	453374	BESLAG	OIL TANK UPPER BRACKETS
F-01	1	453376	KLIPPEREM	BELT
F-02	3	419284	BOLT M8X25	BOLT M8X25
F-03	3	452932	SKIVE 8	SPRING WASHER
F-04	1	434605	SKIVE 8.5X28X2.0	WASHER
F-05	1	453377	REMSKIVE	BLADE PULLEY ASSEMBLY
F-06	1	453378	NOT	FLAT KEY
F-07	1	453379	AKSEL	BLADE PULLEY SHAFT
F-08	2	453380	KUGLELEJE	BALL BEARING
F-09	18	439963	MØTRIK M8	NUT
F-10	1	454834	REMSKIVE HUS	BLADE PULLEY HUB
F-11	1	453382	STØV COVER	DUST COVER
F-12	1	434681	LÅSERING	LOCK RING
F-13	2	453271	SPLIT	SPLIT PIN
F-14	2	419242	SKIVE 8.5X16X1.54	WASHER 8.5X16X1.54
F-15	2	453321	BØS	STEERING LINKAGE BUSHING
F-16	1	453383	AKSEL RETNINGSLED	HEX SHAFT DIRECTIONAL JOINT
F-17	10	419240	MØTRIK M8	NUT M8
F-18	1	419246	MØTRIK M8	NUT M8
F-19	1	453384	STANG	TENSIONING BRAKE INTERLOCK ROD
F-20	1	437857	MØTRIK M10	NUT M10

POS	QTY	PARTNUMBER	BESKRIVELSE	DESCRIPTION
F-21	1	453385	SKIVE	FLAT WASHER
F-22	1	454835	SPÆNDESTYKKE	BLADE TENSIONING ROLLER LEVER
F-23	1	437854	MØTRIK M10	NUT M10
F-24	1	454836	SPÆNDEPLADE	BLADE TENSIONER FIXING PLATE
F-25	2	453388	BOLT	BOLT
F-26	1	434652	SKIVE 8.5X24X2	WASHER
F-27	1	453389	KNIV SPÆNDERULLE	BLADE TENSIONER ASSEMBLY_
F-28	1	453390	BØS	BUSHING
F-29	1	453391	BREMSE PLADE	BRAKE PLATE
F-30	1	453392	SUPPORT KRAVE	SUPPORT SLEEVE
F-31	1	453393	BOLT	BOLT
F-32	1	453394	BESLAG	FIXING PLATE
F-33	1	452932	SKIVE 8	SPRING WASHER
F-34	1	448472	BOLT	BOLT
F-35	1	453304	FJEDER	CUTTER BELT BRAKE TENSION SPRING
F-36	1	453395	KLIPPESKJOLD	DECK
F-37	1	453396	VENSTRE FRONT BESLAG	FRONT - DECK LEFT FIXING PLATE
F-38	1	453397	HØJRE FRONT BESLAG	FRONT - DECK RIGHT FIXING PLATE
F-39	2	453398	SKRUE	BELT LIMITING SCREW
F-40	1	453399	VENSTRE BAG BESLAG	REAR - DECK LEFT FIXING PLATE
F-41	1	453400	HØJRE BAG BESLAG	REAR - DECK LEFT FIXING PLATE
F-42	8	453243	BOLT	BOLT
F-43	2	433356	BOLT M16 M6X16	BOLT M16
F-44	1	427195	NOT	KEY
F-45	1	453401	KNIVHOLDER	BLADE ADOPTOR ASSEMBLY
F-46	1	453402	KNIV	BLADE
F-47	1	453403	SKIVE	SPRING WASHER
F-48	1	419293	STÅLBOLT FOR KNIVHOLDER 3/8-24UNFX35	STEEL BOLT
F-49	1	453404	BESLAG	FIXED PLATE
F-50	2	419357	SÆTBOLT M6X25	SET BOLT M6X25
F-51	1	453405	SIDEUDKAST BUND	SIDE DISCHARGE GRASS CYLINDER BASE
F-52	5	439373	SKRUE	SCREW
F-53	1	453406	AKSEL	SAFETY PLATE SHAFT
F-54	1	453407	FJEDER	SAFETY PLATE SPRING
F-55	1	453408	PLADE	SAFETY PLATE
F-56	1	453409	BESLAG	SIDE-DISCHARGE BRACKETS
F-57	1	453410	COVER SIDEUDKAST	SIDE-DISCHARGE COVER
F-58	1	453411	FJEDER	SPRING
F-59	1	453412	UDKASTERSKÆRM	SIDE-DISCHARGE GUIDE PLATE
F-60	2	419398	BOLT M6X22	BOLT M6X22
F-61	1	453413	REMSKÆRM	BLADE BELT COVER
F-62	1	419280	VASKESTUDS PLASTIK	NOZZLE PIPE

POS	QTY	PARTNUMBER	BESKRIVELSE	DESCRIPTION
F-63	1	427158	MØTRIK PLASTIK M12X1,25	NUT
F-64	4	419273	MØTRIK M6	NUT M6
F-65	4	453414	LÅSERING	LOCK RING
F-66	1	453415	AKSEL	SHAFT
F-67	1	442541	SKRUE 4.8X25	SCREW
F-68	2	454313	BOLT M8X30	BOLT
F-69	4	435626	BRÆDDEBOLT M8X25	BOLT
G-01	1	453295	COVER HÅNDTAG	HANDLE COVER
G-02	1	419252	SÆTBOLT M6X10	SET BOLT M6X10
G-03	1	434647	HÅNDTAG	HANDLE
G-04	1	453416	KLIPPE HØJDEJUSTERING STANG	BLADE HEIGHT ADJUSTMENT ROD
G-05	1	453417	BESLAG	BLADE HEIGHT ADJUSTMENT ASSEMBLY
G-06	9	453271	SPLIT	SPLIT PIN
G-07	3	434652	SKIVE 8.5X24X2	WASHER
G-08	1	453301	SKIVE	FLAT WASHER
G-09	1	453418	SKIVE	FLAT WASHER
G-10	1	419246	MØTRIK M8	NUT M8
G-11	3	419240	MØTRIK M8	NUT M8
G-12	1	453419	FORBINDER	HEX SHAFT DIRECTIONAL JOINT
G-13	1	453420	STANG	BLADE HEIGHT ADJUSTMENT REAR ROD
G-14	2	453421	SKIVE	FLAT WASHER
G-15	2	433356	BOLT M16 M6X16	BOLT M16
G-16	2	419273	MØTRIK M6	NUT M6
G-17	1	453422	BØS	BUSH
G-18	1	453423	BESLAG KPL.	DECK HEIGHT ADJUST BRACKETS ASSEMBLY
G-19	1	453424	BØS	BUSHING
G-20	10	453425	SKIVE	FLAT WASHER
G-21	2	453426	STANG	BLADE HEIGHT ADJUSTMENT ROD
G-22	2	453427	PLADE	BLADE HEIGHT ADJUSTMENT REAR PLATE
G-23	9	453428	SPLITBOLT	PIN
G-24	2	453229	BOLT	BOLT
G-25	2	452932	SKIVE 8	SPRING WASHER
G-26	2	453429	SKIVE	FLAT WASHER
G-27	4	453430	BØS	NYLON BUSHINGS
G-28	2	453431	AKSEL	BLADE HEIGHT CONTROL ROTATING AXLE
G-29	2	452884	SKIVE Ø12	CIRCLIP
G-30	2	453432	FORBINDER	BLADE HEIGHT ADJUSTMENT REAR CONNECTING
G-31	5	453332	SPLIT	SPLIT PIN
H-01	1	453433	UDKASTERRØR TIL OPSAMLER	GRASS DISCHARGE CYLINDER
H-02	1	453434	BIOPLUG KPL.	GRASS PLUG
H-02-01	1	453435	HÅNDTAG	LEVER
H-02-02	1	453436	SPÆNDESTYKKE	COW ROPE
H-02-03	1	419247	PROP	PLUG

POS	QTY	PARTNUMBER	BESKRIVELSE	DESCRIPTION
H-02-04	1	453437	STANG	MULCHING PLUG HANDLE BAR
H-02-05	1	453438	MØTRIK	NUT
H-02-06	1	453332	SPLIT	SPLIT PIN
H-02-07	1	454837	AKSEL	MULCHING PLUG SHAFT
H-02-08	1	453440	BIOPLUG	MULCHING PLUG
H-02-09	1	453441	FJEDER	MULCHING PLUG SPRING
I-01	1	454838	FRONT HÅNDTAG	GRASS BAG FRONT HANDLE
I-02	1	454839	BAGHÅNDTAG	GRASS BAG REAR HANDLE
I-03	1	453444	TOPDÆKSEL FOR OPSMALERKASSE	GRASS BAG UPPER COVER
I-04	8	439373	SKRUE	SCREW
I-05	1	453445	AFSTIVNING	GRASS CATCHER HANDLE STRENGTHENING ROD
I-06	1	453453	COVER	SEALS
I-07	6	453446	BOLT	BOLT
I-08	4	419350	STÅLBOLT M6X12	STEEL BOLT M6X12
I-09	1	453447	ØVRE STØTTERAMME	UPPER SUPPORT PIPE ASSEMBLY FOR GRASS BA
I-10	6	453448	SKRUE	SCREWS
I-11	2	453449	BESLAG	GRASS BAG PIPE CONNECTION PLATE
I-12	10	419273	MØTRIK M6	NUT M6
I-13	2	453450	STØTTESTANG	GRASS BAG REINFORCED ROD
I-14	1	453451	NEDRE STØTTERAMME	LOWER SUPPORT PIPE ASSEMBLY FOR GRASS BA
I-15	1	453452	OPSAMLERPOSE	FABRIC BAG
J-01	4	453454	SKRUE	SCREWS
J-02	1	453455	UDSTØDNING UDLØB	EXHAUST OUTLET NOZZLE ASSEMBLY
J-03	1	453456	MOTOR	ENGINE
J-04	1	453457	REMSKIVE KPL.	ENGINE PULLEY ASSEMBLY
J-05	1	453458	BESLAG	ENGINE PULLEY BRACKET
J-06	8	419336	SKIVE 6X18X1.5	WASHER 6X18X1.5
J-07	1	453459	BOLT	BLADE BOLT
J-08	8	453278	BOLT M5X16	BOLT M5X16
J-09	1	453460	BESLAG	DRIVESHAFT PULLEY BRACKET
J-10	8	439963	MØTRIK M8	NUT
J-11	3	453461	BOLT	BOLT
J-12	1	453462	STRAMMERULLEARM	TENSIONING WHEEL SWING ARM ASSEMBLY
J-13	1	453463	STUDS	TENSIONER STUDS
J-14	1	453464	STRAMMERULLE	TENSIONER
J-15	4	419273	MØTRIK M6	NUT M6
J-16	1	453295	COVER HÅNDTAG	HANDLE COVER
J-17	1	419252	SÆTBOLT M6X10	SET BOLT M6X10
J-18	1	434647	HÅNDTAG	HANDLE
J-19	1	453465	GEARSTANG	GEAR LEVER
J-20	1	453466	FJEDER	GEAR LEVER SPRING
J-21	1	453467	GEARAKSEL	GEAR SHIFT LEVER ASSEMBLY

POS	QTY	PARTNUMBER	BESKRIVELSE	DESCRIPTION
J-22	2	453271	SPLIT	SPLIT PIN
J-23	1	434652	SKIVE 8.5X24X2	WASHER
J-24	1	453468	SKIVE	FLAT WASHER
J-25	1	453469	KUGLELED	BALL JOINT ASSEMBLY
J-26	1	419240	MØTRIK M8	NUT M8
J-27	1	453470	DRIVAKSEL STANG	DRIVESHAFT ROD
J-28	1	453471	BOLT	BOLT
J-29	1	453472	PINBOLT	PIN
J-30	1	453473	SIDEPLADE	SIDE FIXING PLATE FOR GEAR SHIFT
J-31	1	453474	STANG	GEAR LEVER ROD
J-32	4	453259	BOLT	BOLT
J-33	1	453475	DRIVREM S/N T.O.M 241294XXXX 4LXA0787	BELT S/N TILL 241294XXXX
J-33	1	455058	DRIVREM S/N FRA 250294XXXX TX X13 770	BELT S/N FROM 250294XXXX
J-34	1	464989	GEARKASSE KPL.	GEARBOX
J-35	3	419289	NOT	NOT
J-36	2	453555	BØS	BUSHING
J-37	2	454840	BAGHJUL	15INCH WHEEL ASSY
J-38	4	453557	LÅSERING	CIRCLIP
J-39	2	453558	SKIVE	FLAT WASHER
J-40	2	454841	HJULKAPSEL	REAR WHEEL COVER
J-41	4	453560	KUGLELEJE	BALL BEARING
J-42	2	453561	LÅSERING	LOCK RING
J-43	1	453425	SKIVE	FLAT WASHER
J-44	1	453562	SKIVE	FLAT WASHER
J-45	1	453563	BESLAG REMSKIVE HØJRE	ENGINE PULLEY RIGHT BRACKET
J-46	1	453564	BESLAG REMSKIVE VENSTRE	ENGINE PULLEY LEFT BRACKET
J-47	1	419246	MØTRIK M8	NUT M8
J-48	3	452932	SKIVE 8	SPRING WASHER
J-49	3	419256	MØTRIK M8	NUT M8
J-50	1	453565	SPÆNDESTYKKE	TENSIONER
J-51	2	419242	SKIVE 8.5X16X1.54	WASHER 8.5X16X1.54
J-52	2	453477	LÅSERING	LOCK RING
J-53	5	453329	PAKNING	GASKET
J-54	1	453478	REMSKIVE	GEARBOX PULLEY ASSEMBLY
J-55	1	433356	BOLT M16 M6X16	BOLT M16
J-56	1	434618	SKIVE	WASHER 6
J-57	1	441027	O-RING 6.5X16X2.5	""O"" RING"
J-58	1	454842	GEARSTANG	GEAR LEVER