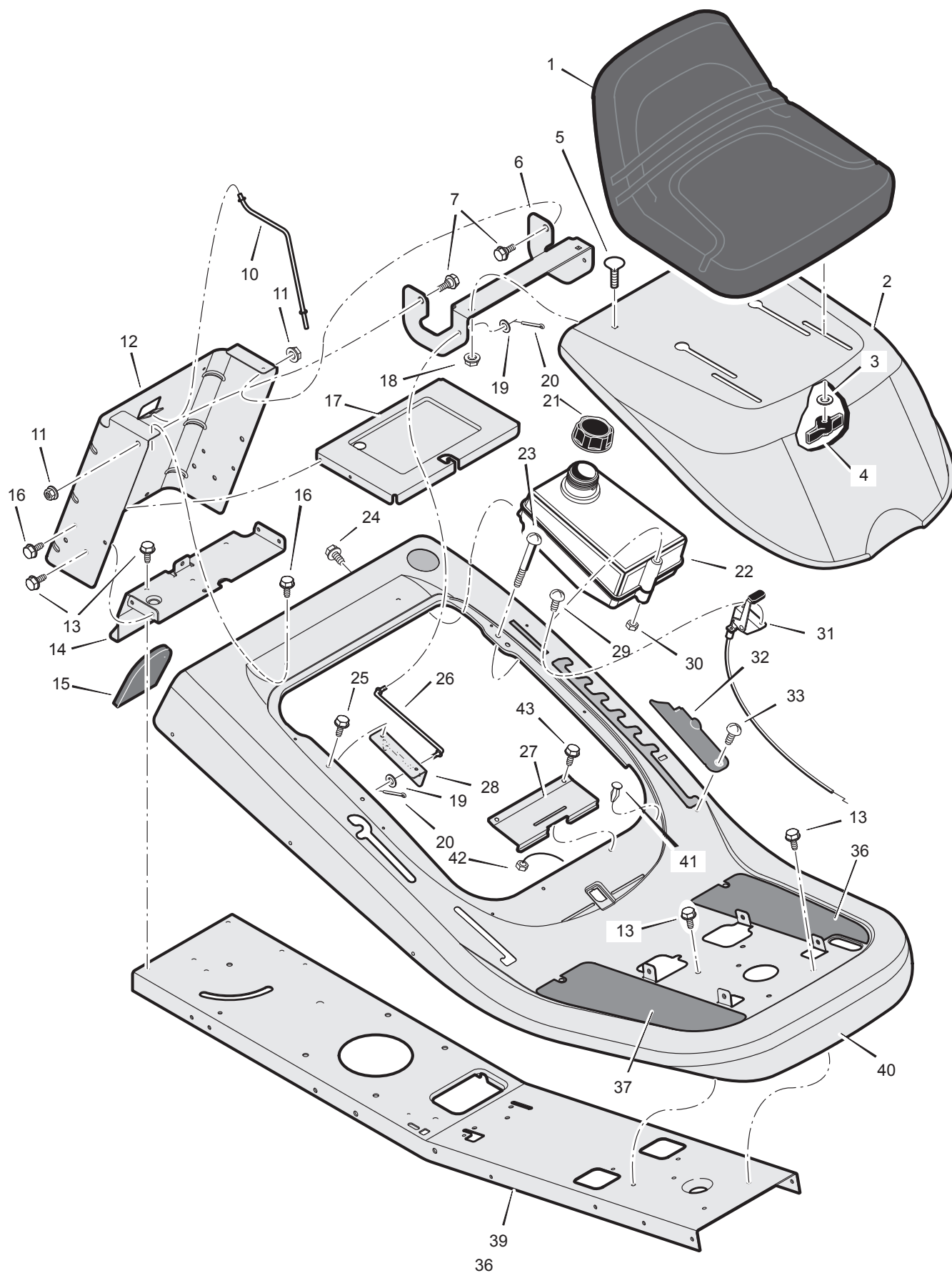
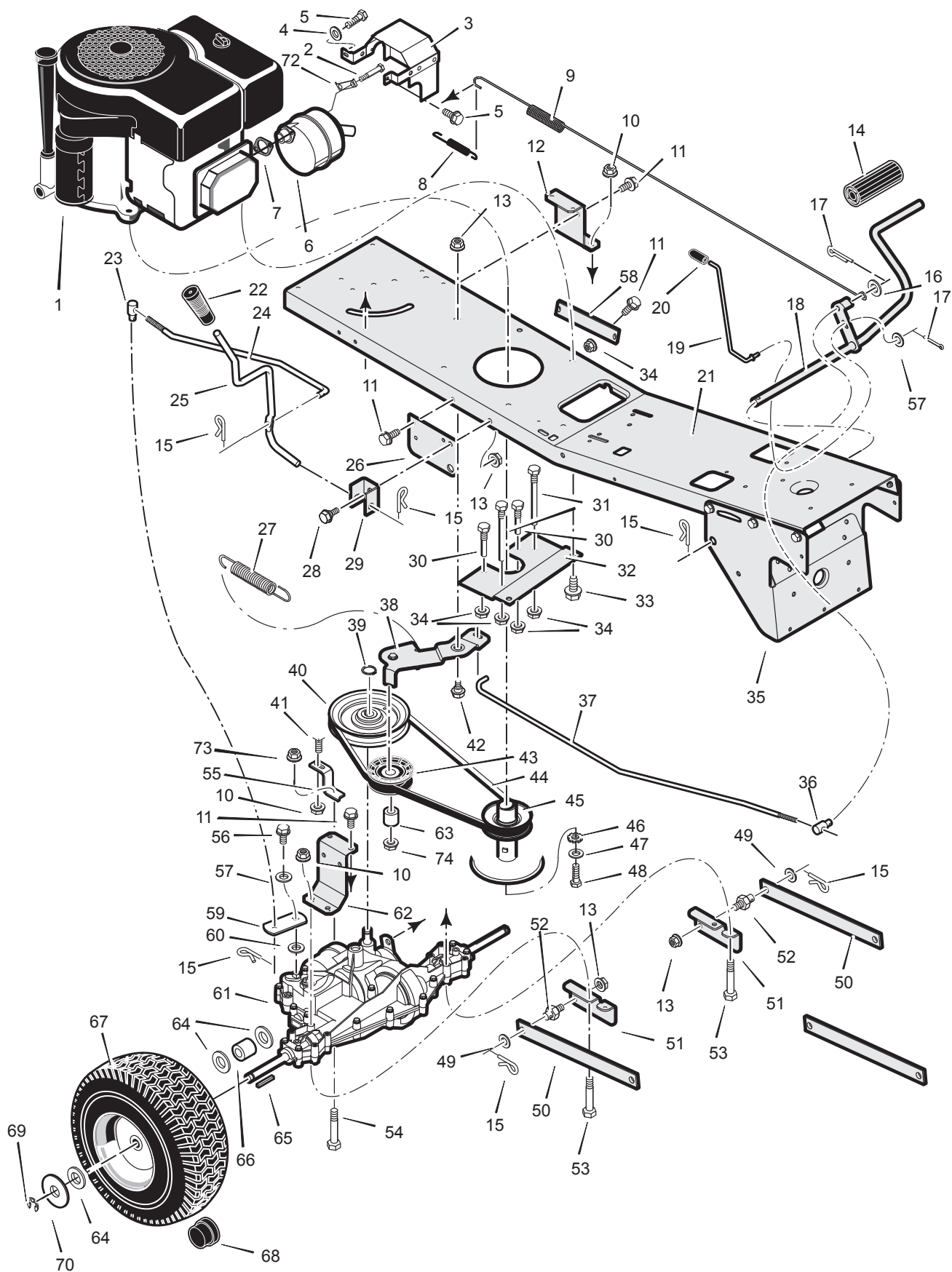


ART. NO.: 90063122  
MODEL: 309000X8NA  
REPAIR PARTS: CHASSIS & HOOD



POS	QTY	PARTNUMBER	BESKRIVELSE	DESCRIPTION
1	1	438669	SÆDE	SEAT
2	1	438670	MOTORHJELM	HOOD
3	2	438671	SKIVE	WASHER
4	2	438672	VINGEMØTRIK	BOLT, WING
5	2	438673	BOLT	BOLT, CARRIAGE
6	1	438674	BESLAG	BRACKET, HINGE
7	2	438675	BOLT	BOLT, SHOULDER
10	1	438676	STANG TIL BATTERI	ROD, BATTERY
11	2	438677	MØTRIK	NUT, FLANGE
12	1	438678	BAGPLADE	PLATE, REAR
13	9	438679	SKRUE	SCREW
14	1	438680	SPÆNDEPLADE	PLATE, HITCH
15	1	438681	BESKYTTELSESPLADE	COVER
16	10	438682	SKRUE	SCREW
17	1	438683	BATTERIBAKKE	TRAY, BATTERY
18	2	438684	MØTRIK	NUT, FLANGE
19	2	438685	SKIVE	WASHER
20	6	438686	DÆKSEL TIL BENZINTANK	PIN, COTTER
21	1	438687	BENZINLÅG	CAP, FUEL TANK
22	1	438688	BENZINDUNK	TANK, FUEL
23	1	438689	SKRUE	SCREW
24	2	438690	SKRUE	SCREW
25	10	438682	SKRUE	SCREW
26	1	438691	STANG	ROD, HOOD PROP
27	1	438692	FJEDER TIL SÆDEKONTAKT	SPRING, SEAT DECK
28	1	438693	BESLAG	BRACKET, PROP ROD
29	2	438694	SKRUE	SCREW
30	6	438695	MØTRIK	NUT, NY?LOCK
31	1	438696	GASHÅNDTAG	CONTROL, THROTTLE
32	1	438697	AFSKÆRMNING TIL GEARVÆLGER	COVER, DETENT (BLACK)
33	1	438698	BOLT	BOLT, SHOULDER
36	1	438699	MÅTTE TIL VENSTRE FOD	FOOTMAT, LEFT (BLACK)
37	1	438700	MÅTTE TIL HØJRE FOD	FOOTMAT, RIGHT (BLACK)
39	1	438701	RAMME	FRAME
40	1	438702	CHASSIS SIDDE KONSOL	DECK, SEAT
41	6	438703	KOFANGER	BUMPER
42	2	438695	MØTRIK	NUT, NY?LOCK
43	2	438704	SKRUE	SCREW
44	1	438705	VARMESKJOLD	HEAT SHIELD
45	1	438706	AFSTANDSSKIVE BRÆNDSTOFTANK	SPACER, TANK FUEL
46	1	438707	BESLAG TIL BRÆNDSTOFTANK	BRACKET, TANK FUEL
47	2	438708	SPÆNDEBÅND	HOSE CLAMP
48	1	438709	BRÆNDSTOFSLANGE 6000 RL	"FUEL LINE--6000"/"RL"

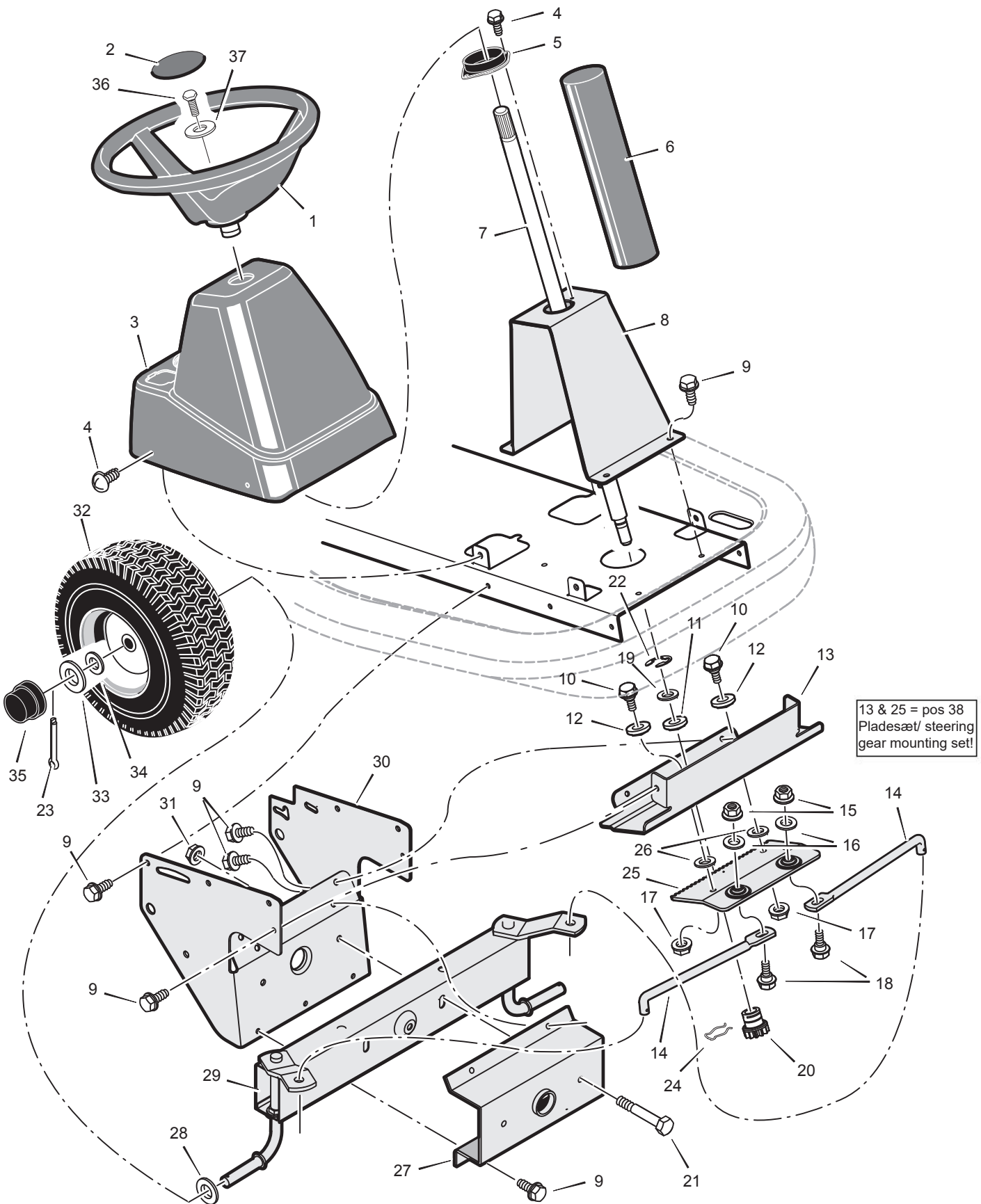
ART. NO.: 90063122  
MODEL: 309000X8NA  
REPAIR PARTS: MOTION DRIVE



POS	QTY	PARTNUMBER	BESKRIVELSE	DESCRIPTION
1	1	438710	MOTOR LONCIN 432CC	ENGINE, LONCIN 432CC
2	2	438711	BOLT HEX	BOLT, HEX
3	1	438712	VARMESKJOLD	SHIELD ASSEMBLY, HEAT
4	2	438713	LÅSEMØTRIK	LOCKWASHER
5	2	438704	SKRUE	SCREW
6	1	438714	UDSTØDNING	MUFFLER
7	1	438715	PAKNING TIL Udstødning	GASKET, MUFFLER
8	1	438716	FJEDER	SPRING, EXTENSION
9	1	438717	FJEDER	SPRING, EXTENSION
10	2	438718	MØTRIK	NUT
11	1	438679	SKRUE	SCREW
12	1	438719	BESLAG VENSTRE	BRACKET, LEFT TRANSAXLE
13	2	438677	MØTRIK	NUT, FLANGE
14	1	438720	PEDAL	COVER, PEDAL
15	10	438721	LÅSESPLIT	PIN, COTTER
16	1	438722	SKIVE	WASHER
17	2	438686	DÆKSEL TIL BENZINTANK	PIN, COTTER
18	1	438723	PEDAL STANG	PEDAL ASSEMBLY
19	1	438724	STANG TIL PARKERINGSBREMSE	ROD, PARKING BRAKE
20	1	438725	GRIP TIL PARKERINGSBREMSE	GRIP, PARKING BRAKE ROD
21	1	438701	RAMME	FRAME
22	1	438726	GRIP TIL SKIFTEHÅNDTAG	GRIP, SHIFT LEVER
23	1	438727	MØTRIK	NUT, ADJUSTING
24	1	438728	GEARSTANG	LINK, SHIFT
25	1	438729	GEARARM	LEVER, SHIFT
26	1	438730	BESLAG	BRACKET, LIFT PIVOT
27	1	438731	FJEDER	SPRING, EXTENSION
28	1	438732	BOLT	BOLT, SHOULDER
29	1	438733	SVINGBØJLE	BRACKET, PIVOT
30	2	438734	BESLAG KORT REM	GUIDE, SHORT BELT
31	2	438735	BESLAG LANG REM	GUIDE, LONG BELT
32	1	438736	PLADE TIL BÆLTE GUIDE	PLATE, BELT GUIDE
33	2	438737	BOLT	BOLT
34	4	438684	MØTRIK	NUT, FLANGE
35	1	438738	STØTTE BESLAG	BRACKET, SUPPORT
36	1	438739	MØTRIK	NUT, ADJUSTING
37	1	438740	KOBLINGSSTANG	ROD, CLUTCH
38	1	438741	KOBLINGSARM	CLUTCH ARM ASSEMBLY
39	1	438742	LÅSERING 0011X7	RING, RETAINER
40	1	438743	REMSKIVE TIL DRIVHJUL	PULLEY, DRIVE
41	1	438673	BOLT	BOLT, CARRIAGE
42	1	438732	BOLT	BOLT, SHOULDER
43	1	438744	REMSKIVE TIL STJERNEHJUL	PULLEY, IDLER
44	1	438745	KILEREM DRIVREM	BELT, MOTION DRIVE
45	1	438746	REMSKIVE	PULLEY, SPLIT STACK
46	1	438747	SKIVE	WASHER, STAR
47	1	438748	SKIVE	WASHER
48	1	438749	BOLT HEX	BOLT, HEX
49	2	438750	SKIVE	WASHER

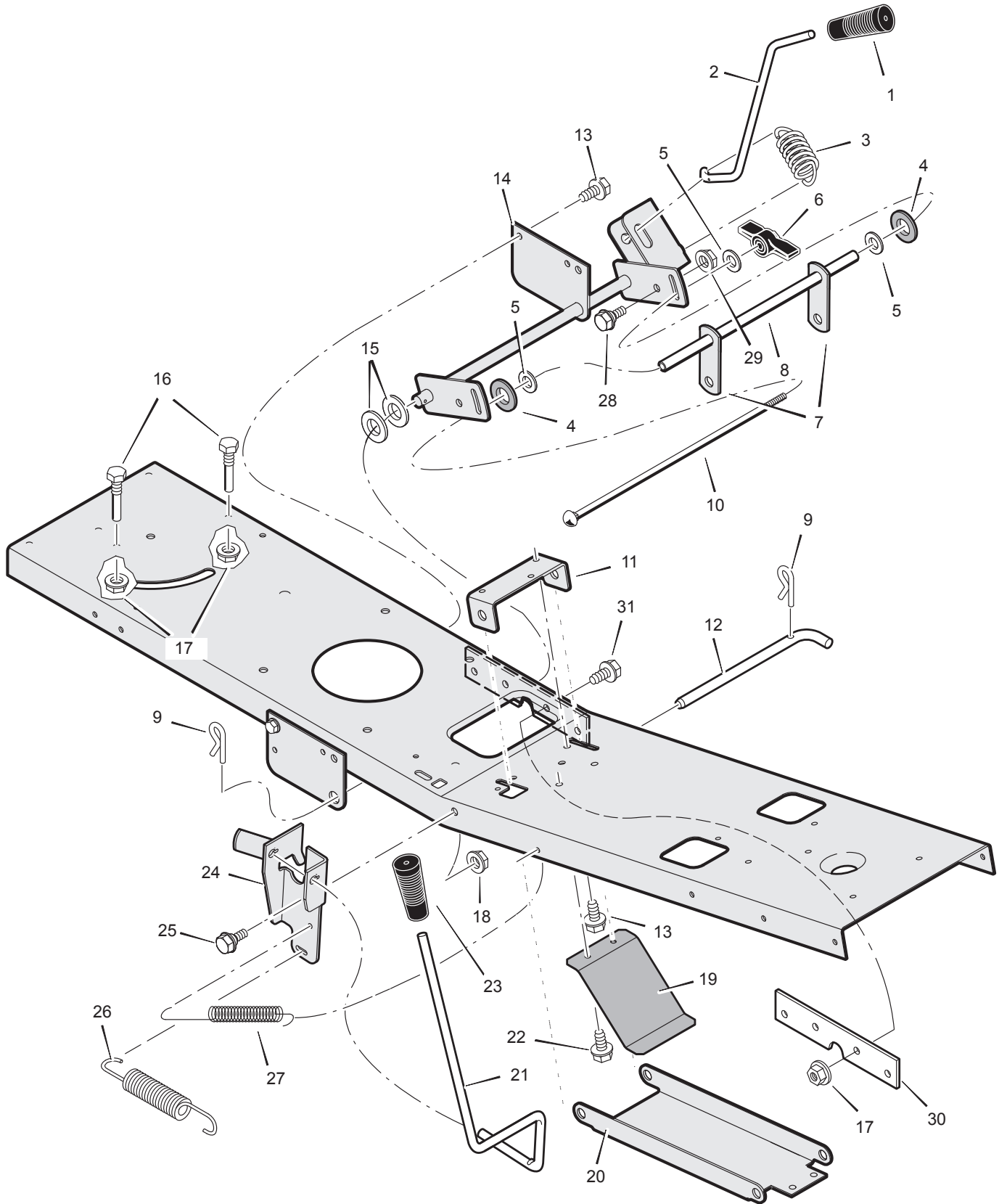
POS	QTY	PARTNUMBER	BESKRIVELSE	DESCRIPTION
50	2	438751	ARM BAG	ARM, REAR
51	2	438752	BESLAG BAG BØJLE	BRACKET, REAR HANGER
52	2	438753	PINDBOLT	PIN, THREADED SHOULDER
53	2	438754	BOLT HEX	BOLT, HEX
54	2	438755	BOLT	BOLT
55	1	438756	BESLAG	BRACKET, TORQUE REACTOR
56	1	438757	SKRUE	SCREW
57	1	438758	SKIVE	WASHER, SHIFT YOKE
58	1	438759	RAMME	SUPPORT, FRAME
59	1	438760	BESLAG	YOKE, SHIFT
60	1	438761	SKIVE	WASHER
61	1	438762	GEARKASSE	TRANSAXLE
62	1	438763	BESLAG HØJRE	BRACKET, RIGHT TRANSAXLE
63	1	438764	AFSTANDSSKIVE	SPACER
64	4	438765	SKIVE	WASHER
65	2	438766	NØGLESPLIT	KEY, SQUARE
66	2	438767	AFSTANDSSKIVE BAGHJUL	SPACER, REAR WHEEL
67	2	438768	BAGHJUL 15"	WHEEL, REAR 15"
68	2	438769	NAV	CAP, HUB
69	2	438770	E-RING	E-RING
70	2	438771	SKIVE	WASHER
72	1	438772	SKRUE	LOCK, SCREW
73	1	438773	MØTRIK	NUT
74	1	438774	MØTRIK	NUT
75	1	438775	RØR UDS TØDNING	TUBE, EXHAUST
76	1	438776	SKRUE	SCREW
77	1	438777	SKRUE	SCREW
78	1	438778	INDSATS LEJRE	INSERT, BEARING
79	1	438779	LEJE	BEARING
80	1	438780	VARMESKJOLD	HEAT SHIELD

ART. NO.: 90063122  
MODEL: 309000X8NA  
REPAIR PARTS: STEERING



POS	QTY	PARTNUMBER	BESKRIVELSE	DESCRIPTION
1	1	438781	RAT	WHEEL, STEERING (BLACK)
2	1	438782	HÆTTE TIL RAT	INSERT, STEERING
3	1	438783	KONSOL NEDRE	CONSOLE, LOW (BLACK)
4	4	438784	SKRUE	SCREW
5	1	438785	LEJE	BEARING, UPPER STEERING
6	1	438786	RØR TIL RATSTAMME	TUBE, STEERING (BLACK)
7	1	438787	RATSTAMME	SHAFT, STEERING
8	1	438788	STØTTE TIL STYRETØJ	SUPPORT, STEERING
9	5	438679	SKRUE	SCREW
10	2	438789	BOLT	BOLT, SHOULDER
11	1	438790	LEJE	BEARING, LOWER STEERING
12	2	438791	LEJE	ROLLER
13	1	438792	PLADE	PLATE, GEAR MOUNTING
14	2	438793	BESLAG	LINK, DRAG
15	2	438677	MØTRIK	NUT, FLANGE
16	2	438794	SKIVE	WASHER
17	2	438718	MØTRIK	NUT
18	2	438795	BOLT HEX	BOLT, HEX
19	1	438796	SKIVE	WASHER
20	1	438797	TANDHJUL	GEAR, PINION
21	2	438798	BOLT HEX	BOLT, HEX
22	1	438799	E-RING BØJLE	E-RING, RETAINER
23	2	438800	SPLIT	PIN, COTTER
24	1	436622	LÅSERING	RETAINER, SPRING
25	1	438802	PLADE	RACK, STEERING
26	2	438803	SKIVE	WASHER
27	1	438804	BESLAG TIL FRONTAKSEL	BRACKET, AXLE FRONT
28	2	438805	SKIVE	WASHER
29	1	438806	AKSEL SPINDEL SAMLING	AXLE & SPINDLE ASSEMBLY
30	1	438738	STØTTE BESLAG	BRACKET, SUPPORT
31	2	438807	MØTRIK	NUT, FLANGE
32	2	438808	FRONTHJUL	WHEEL, FRONT
33	2	438809	SKIVE	WASHER
34	2	438805	SKIVE	WASHER
35	2	438769	NAV	CAP, HUB
36	1	438810	BOLT	BOLT
37	1	438811	SKIVE	WASHER
38	1	450063	PLADESTYRINGSSÆT	RACK, STEERING/GEAR MOUNTING (SET)

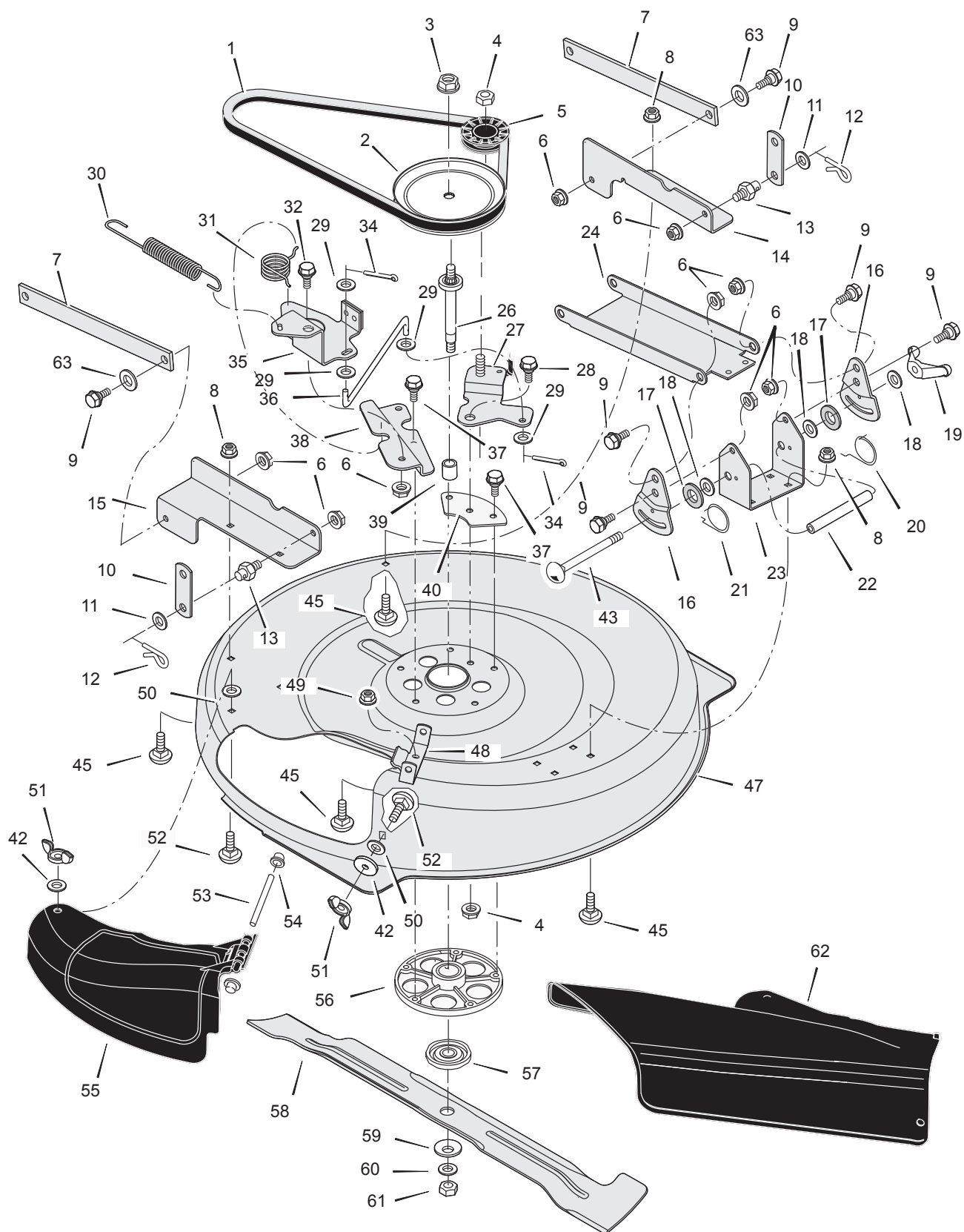
ART. NO.: 90063122  
MODEL: 309000X8NA  
REPAIR PARTS: MOWER HOUSING SUSPENSION





POS	QTY	PARTNUMBER	BESKRIVELSE	DESCRIPTION
1	1	438726	GRIP TIL SKIFTEHÅNDTAG	GRIP, SHIFT LEVER
2	1	438813	LØFTEHÅNDTAG	LEVER, LIFT
3	1	438814	FJEDER	SPRING, EXTENSION
4	2	438815	FRIKTIONSPLADE	PAD, FRICTION
5	2	438816	SKIVE	WASHER
6	1	438817	VINGEMØTRIK	WINGNUT
7	2	438818	LØFTEBESLAG	LINK, LIFT
8	1	438819	AFSTANDSRØR	TUBE, SPACER
9	10	438721	LÅSESPLIT	PIN, COTTER
10	1	438820	BOLT	BOLT, CARRIAGE
11	1	438821	BESLAG FRONT BØJLE	BRACKET, FRONT HANGER PIVOT
12	1	438822	RØR FOR BØJLE	PIN, FRONT HANGER
13	5	438679	SKRUE	SCREW
14	1	438823	ARM TIL LØFTER	ARM ASSEMBLY, LIFTER
15	3	438824	SKIVE	WASHER
16	1	438825	SKRUE	SCREW, GUIDE
17	5	438684	MØTRIK	NUT, FLANGE
18	10	438677	MØTRIK	NUT, FLANGE
19	1	438826	FJEDER	SPRING, LEAF
20	1	438827	BØJLE FRONT	HANGER, FRONT
21	1	438828	HÅNDTAG PTO	LEVER, PTO
22	10	438829	SKRUE	SCREW
23	1	438830	GREB PTO	GRIP, PTO
24	1	438831	BESLAG PTO	BRACKET, PTO
25	1	438832	BOLT	BOLT, SHOULDER
26	1	438833	FJEDER	SPRING, EXTENSION
27	1	438834	FJEDER	SPRING, EXTENSION
28	1	438835	BOLT	BOLT, SHOULDER
29	10	438677	MØTRIK	NUT, FLANGE
30	1	438759	RAMME	SUPPORT, FRAME
31	3	438836	SKRUE	SCREW

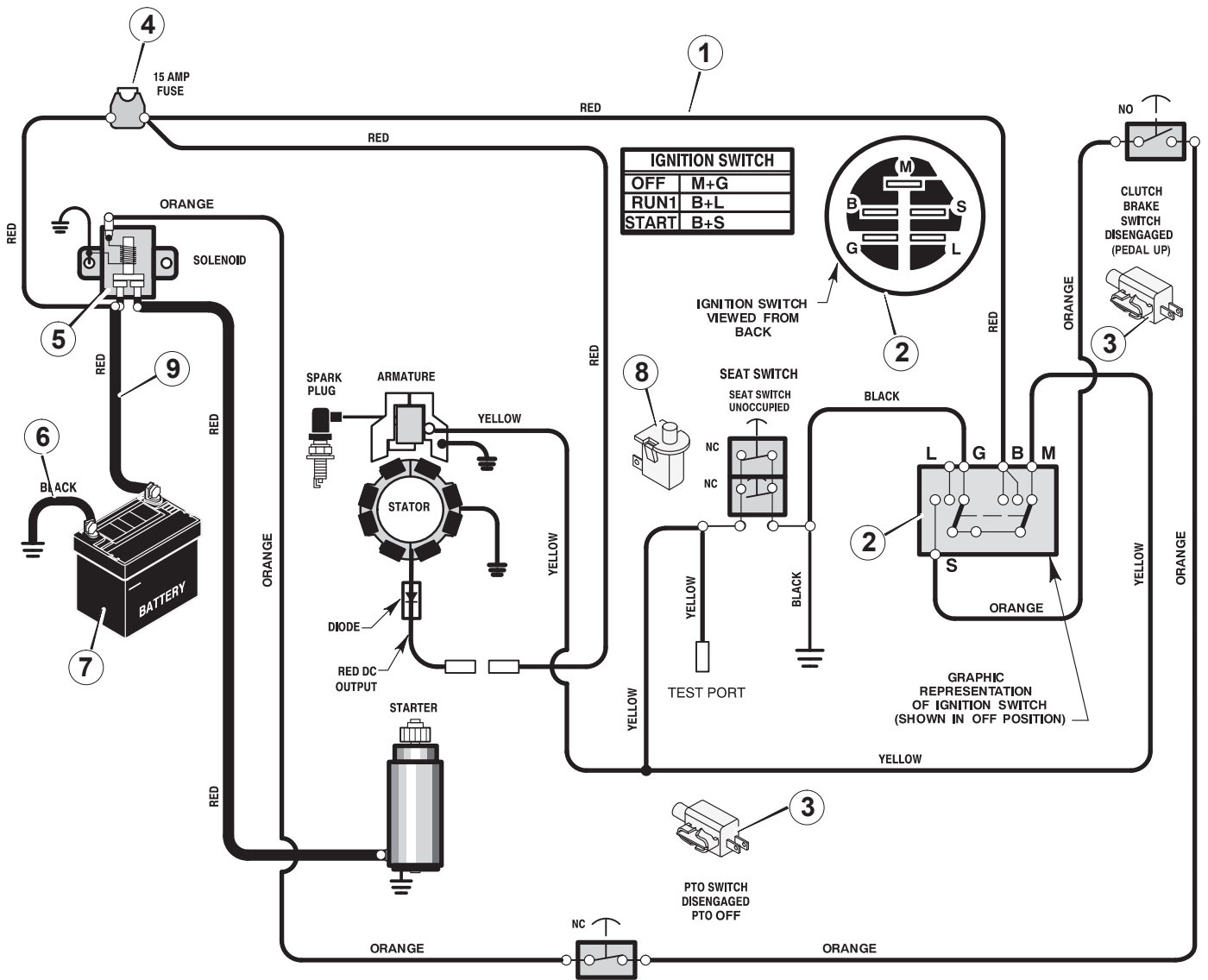
ART. NO.: 90063122  
MODEL: 309000X8NA  
REPAIR PARTS: MOWER HOUSING



POS	QTY	PARTNUMBER	BESKRIVELSE	DESCRIPTION
1	1	438837	DRIVREM TIL KNIV 37X111	BELT, BLADE DRIVE
2	1	438838	REMSKIVE INPUT	PULLEY, INPUT
3	1	438839	LÅSEMØTRIK	LOCKNUT
4	1	438773	MØTRIK	NUT
5	1	438840	REMSKIVE STJERNEHJUL	PULLEY, IDLER
6	3	438677	MØTRIK	NUT, FLANGE
7	1	438841	ARM BAG	ARM, REAR
8	3	438684	MØTRIK	NUT, FLANGE
9	2	438835	BOLT	BOLT, SHOULDER
10	2	438818	LØFTEBESLAG	LINK, LIFT
11	4	438750	SKIVE	WASHER
12	10	438721	LÅSESPLIT	PIN, COTTER
13	1	438753	PINDBOLT	PIN, THREADED SHOULDER
14	1	438842	BESLAG VENSTRE BAG	BRACKET, LEFT REAR
15	1	438843	BESLAG HØJRE BAG	BRACKET, RIGHT REAR
16	2	438844	JUSTERINGSPLADE	PLATE, ADJUSTMENT
17	2	438815	FRIKTIONSPLADE	PAD, FRICTION
18	4	438816	SKIVE	WASHER
19	1	438817	VINGEMØTRIK	WINGNUT
20	1	438845	FJEDER VENSTRE	SPRING, LEFT TORSION
21	1	438846	FJEDER HØJRE	SPRING, RIGHT TORSION
22	1	438847	AFSTANDSRØR	TUBE, SPACER
23	1	438848	BESLAG	BRACKET, DECK
24	1	438849	BØJLE FRONT	HANGER, FRONT
25	1	438850	BOLT	BOLT, SHOULDER
26	1	438851	SPINDEL AKSEL	SHAFT, SPLINED
27	1	438852	ARM	ARM ASSEMBLY, IDLER
28	2	438732	BOLT	BOLT, SHOULDER
29	1	438671	SKIVE	WASHER
30	1	438833	FJEDER	SPRING, EXTENSION
31	1	438853	FJEDER	SPRING, TORSION
32	2	438732	BOLT	BOLT, SHOULDER
34	1	438686	DÆKSEL TIL BENZINTANK	PIN, COTTER
35	1	438854	ARM MONTAGE BREMSE	ARM ASSEMBLY, BRAKE
36	1	438855	LINK TIL STJERNEHJUL	LINK, IDLER ARM
37	1	438737	BOLT	BOLT
38	1	438856	BESLAG TIL BREMSE MONTERING	BRACKET, BRAKE MOUNTING
39	1	438857	AFSTANDSSKIVE MELLEMAKSEL	SPACER, JACKSHAFT
40	1	438858	PLADE STJERNEHJUL	PLATE, IDLER MOUNTING
42	1	438859	SKIVE	WASHER
43	1	438860	BOLT	BOLT, CARRIAGE
45	1	438673	BOLT	BOLT, CARRIAGE
47	1	438861	KLIPPEHUS	HOUSING, BLADE
48	1	438862	HÆNGSEL BIOKLIP DÆKKE	HINGE, MULCHING COVER
49	2	438718	MØTRIK	NUT
50	1	438863	MØTRIK	NUT, SPEED
51	1	438864	LÅSEMØTRIK	WINGNUT
52	1	438865	BOLT	BOLT, CARRIAGE
53	1	438866	STANG CHUTE DEFECTOR	ROD, CHUTE DEFLECTOR

POS	QTY	PARTNUMBER	BESKRIVELSE	DESCRIPTION
54	2	438867	SKIVE	CAP, PUSH
55	1	438868	SKÆRM TIL BIOKLIP	COVER, MULCH (BLACK)
56	1	438869	DORN HUS	MANDREL HOUSING
57	1	438870	ADAPTER TIL KNIV	ADAPTER, BLADE
58	1	438871	KNIV	BLADE
59	1	438872	SKIVE	WASHER, CUP
60	1	438873	SKIVE	WASHER
61	1	438874	MØTRIK	NUT, BLADE MOUNT
62	1	438875	SKÆRM SIDEUDKAST	DEFLECTOR, CHUTE (BLACK)
63	1	438876	SKIVE	WASHER
64	1	438779	LEJE	BEARING
65	1	438778	INDSATS LEJRE	INSERT, BEARING
66	1	438877	LEJE 3/8 ØVRE	BEARING 3/8-UPPER
67	1	438878	AFSTENDSLEJRE	BEARING SPACE (PUR)
68	1	438879	LEJRE 3/8 NEDRE	BEARING 3/8-LOWER

ART. NO.: 90063122  
 MODEL: 309000X8NA  
 REPAIR PARTS: ELECTRICAL SYSTEM

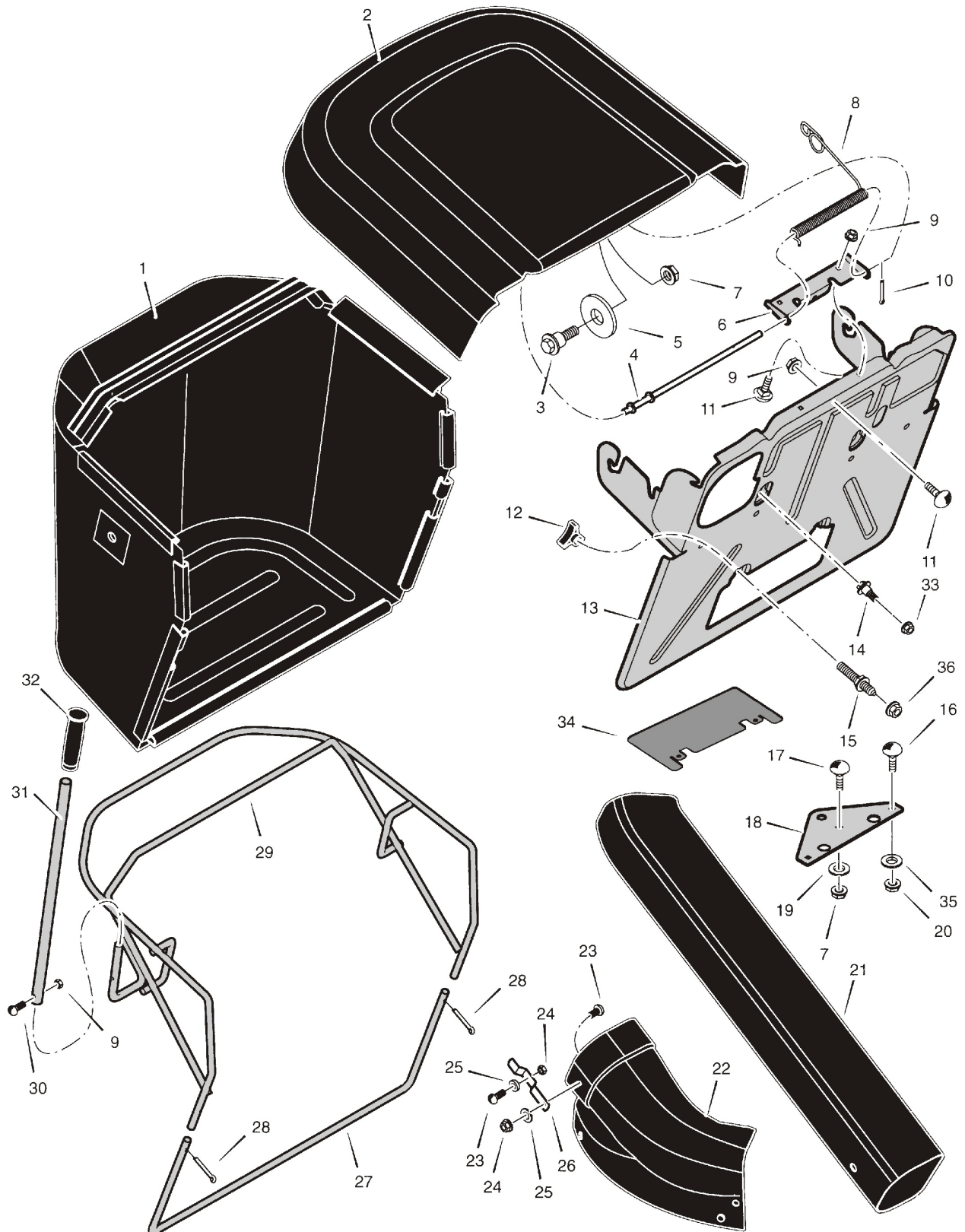


POS	QTY	PARTNUMBER	BESKRIVELSE	DESCRIPTION
1	1	438880	SELE CHASSIS KABEL 250X115	HARNESS, CHASSIS WIRE
2	1	438881	KONTAKT	SWITCH, IGNITION
2A	2	438882	NØGLE	KEY, IGNITION
3	1	438885	KONTAKT	SWITCH, LIMIT
4	1	438886	SIKRINGSHOLDER	FUSE HOLDER,
4A	1	438887	SIKRING	FUSE
5	1	438888	SOLENOIDE	SOLENOID
5A	2	438829	SKRUE	SCREW
5B	2	438695	MØTRIK	NUT, NY?LOCK
6	1	438889	BATTERIKABEL JORD	CABLE, BATTERY GROUND
7	1	438891	BATTERI	BATTERY
8	1	438894	KONTAKT	SWITCH, SEAT SENSOR
9	1	438895	KABEL	CABLE, RED BATTERY

ART. NO.: 90063122

MODEL: 247930 x 11A, 247930 x 50B, 247930 x 68A

REPAIR PARTS: GRASS BAGGER



POS	QTY	PARTNUMBER	BESKRIVELSE	DESCRIPTION
1	1	438897	OPSAMPLERKASSE NET	BAG, CLOTH
2	1	438898	OPSAMPLERKASSE DÆKKEN	COVER, BAG
3	1	438899	BOLT	BOLT, SHOULDER
4	1	438900	STANG TIL OPSAMPLERNET	ROD, BAG LID
5	1	438901	SKIVE	WASHER
6	1	438902	HÆNGSEL TOP	HINGE, BAG TOP
7	3	438903	MØTRIK	NUT
8	1	438904	FJEDER	SPRING, TORSION
9	3	438905	MØTRIK	NUT
10	1	438906	MØTRIK 15X84 15X84	PIN, COTTER
11	2	438907	BOLT	BOLT, CARRIAGE
12	2	438908	GREB	KNOB
13	1	438909	OPSAMPLER HÆNGSEL PLADE BØJLE	ASSEMBLY, BAG PLATE & HANGER
14	2	438910	BOLT	BOLT, SHOULDER
15	2	438911	MØTRIK DOBELENDE 6X110 6X110	STUD, DOUBLE END
16	1	438912	BOLT	BOLT, CARRIAGE
17	2	438913	BOLT	BOLT, CARRIAGE
18	1	438914	BESLAG TREKANT	BRACKET, HITCH EXTENSION
19	1	438915	SKIVE	WASHER
20	1	438916	MØTRIK	NUT
21	1	438917	RØR TIL OPSAMPLER KASSE	TUBE, CONNECTING
22	1	438918	FØRLÆNGERRØR	TUBE, EXTENSION
23	2	438919	BOLT	BOLT
24	2	438920	MØTRIK	ACORN NUT
25	2	438921	SKIVE	WASHER
26	1	438922	FJEDER	SPRING, LEAF
27	1	438923	RAMME TIL OPSAMPLERNET	TUBE, BAG FRAME
28	2	438924	PIN 30X20	PIN, COTTER
29	1	438925	RAMME TIL OPSAMPLER	FRAME, BAG
30	1	438926	BOLT	BOLT
31	1	438927	HÅNDTAG TIL AT TØMME	LEVER, DUMP
32	1	438928	GREB	GRIP
33	3	438929	MØTRIK	NUT, FLANGE
34	1	438930	BESLAG	BAFFLE, BAG PLATE
35	2	438931	SKIVE	WASHER
36	2	438932	MØTRIK	NUT