

3005th 1992

REPAIR PARTS MANUAL

26" - 6 H.P. RIDING MOWER

MODEL A3594-060

HB 3055M

ONE YEAR LIMITED WARRANTY

For one (1) year from date of purchase by the first consumer for residential use (thirty (30) days commercial use), NOMA Outdoor Products Incorporated warrants that it will replace free of charge, including labor, any original part of any NOMA Outdoor Products Incorporated product found to be defective by any authorized Service Dealer or the factory, except the battery which is warranted for ninety (90) days from date of purchase.

This warranty does not cover engine, transmission, transaxle or differential (these items are covered by their manufacturer's own warranty). This warranty does not cover parts that have failed due to normal wear or parts that have failed subject to misuse or abuse. Transportation of the unit or part to and from an authorized Service Dealer or factory is the responsibility of the owner.

A step by step explanation as to what procedure should be followed for this warranty is:

1. If a part becomes defective, contact the store where the unit was purchased for the name and address of the authorized Service Dealer nearest to you.
2. If you cannot locate an authorized Service Dealer, write Service Department of NOMA Outdoor Products Incorporated for the name and address of the authorized Service Dealer in your area or call the Service Department at 1-901-422-1690.
3. Return the defective product, along with proof of purchase to such authorized Service Dealer for replacement of any defective part where covered by this warranty.

There is no other express warranty. Implied warranties, including those of merchantability and fitness for a particular purpose are limited to one (1) year from date of purchase. Liability for incidental or consequential damages are excluded.

Some states do not allow limitations on how long an implied warranty lasts, so the above limitation may not apply to you. Some states do not allow the exclusion of incidental or consequential damages, so the above exclusion may not apply to you. This warranty gives you specific legal rights, and you may have other rights which vary from state to state.

NOMA Outdoor Products Incorporated

Caller 8000

Jackson, TN 38308-8000

UNIT PARTS AND SERVICE

This manual contains instructions for safety, assembly and maintenance. Read this manual carefully and completely so that you will know proper assembly, use and care of your unit. Also fill in and mail the registration card packed with the unit. For service other than covered in this manual, contact an authorized service dealer. A nationwide parts and service organization has been established to provide locally available parts and service. A list of authorized parts distributors has been included in this manual. When ordering repair parts, always give the following information: 1. The Part Name; 2. The Part Number; 3. The Quantity desired; 4. The Full (eight digit) Model Number of the unit. The model number will be found on a plate attached to the unit.



Look for this symbol.

It means - ATTENTION! BECOME ALERT! A HAZARD TO OPERATOR, BYSTANDER, PROPERTY OR EQUIPMENT MAY EXIST.

NOMA Outdoor Products Incorporated

Caller 8000

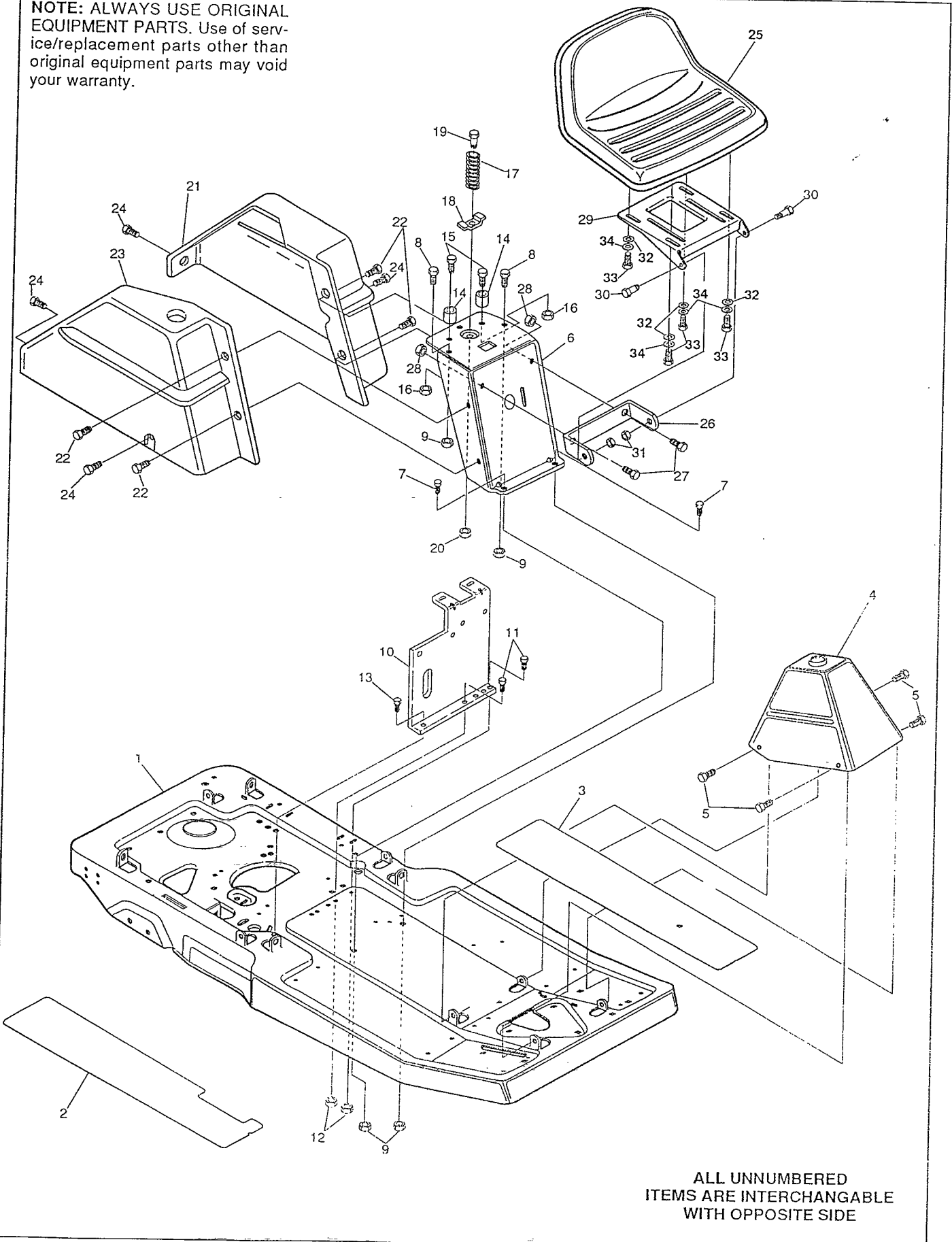
Jackson, TN 38308-8000

Part No. 313017

4989

26" RIDING MOWER MODEL A3594-060

NOTE: ALWAYS USE ORIGINAL EQUIPMENT PARTS. Use of service/replacement parts other than original equipment parts may void your warranty.



ALL UNNUMBERED
ITEMS ARE INTERCHANGABLE
WITH OPPOSITE SIDE

26" RIDING MOWER MODEL A3594-060

ALWAYS GIVE THE FOLLOWING INFORMATION WHEN ORDERING REPAIR PARTS:

1. The PART NUMBER; 2. The PART NAME; 3. QUANTITY DESIRED; 4. The MODEL NUMBER (As shown on Model Plate).

SEND PART ORDERS AS PER INSTRUCTIONS ON THE FRONT PAGE.

DO NOT USE KEY NUMBERS WHEN ORDERING REPAIR PARTS, ALWAYS USE PART NUMBERS.

All replacement parts will be supplied in current production colors or in a neutral color.

A handling fee is applicable to small parts orders.

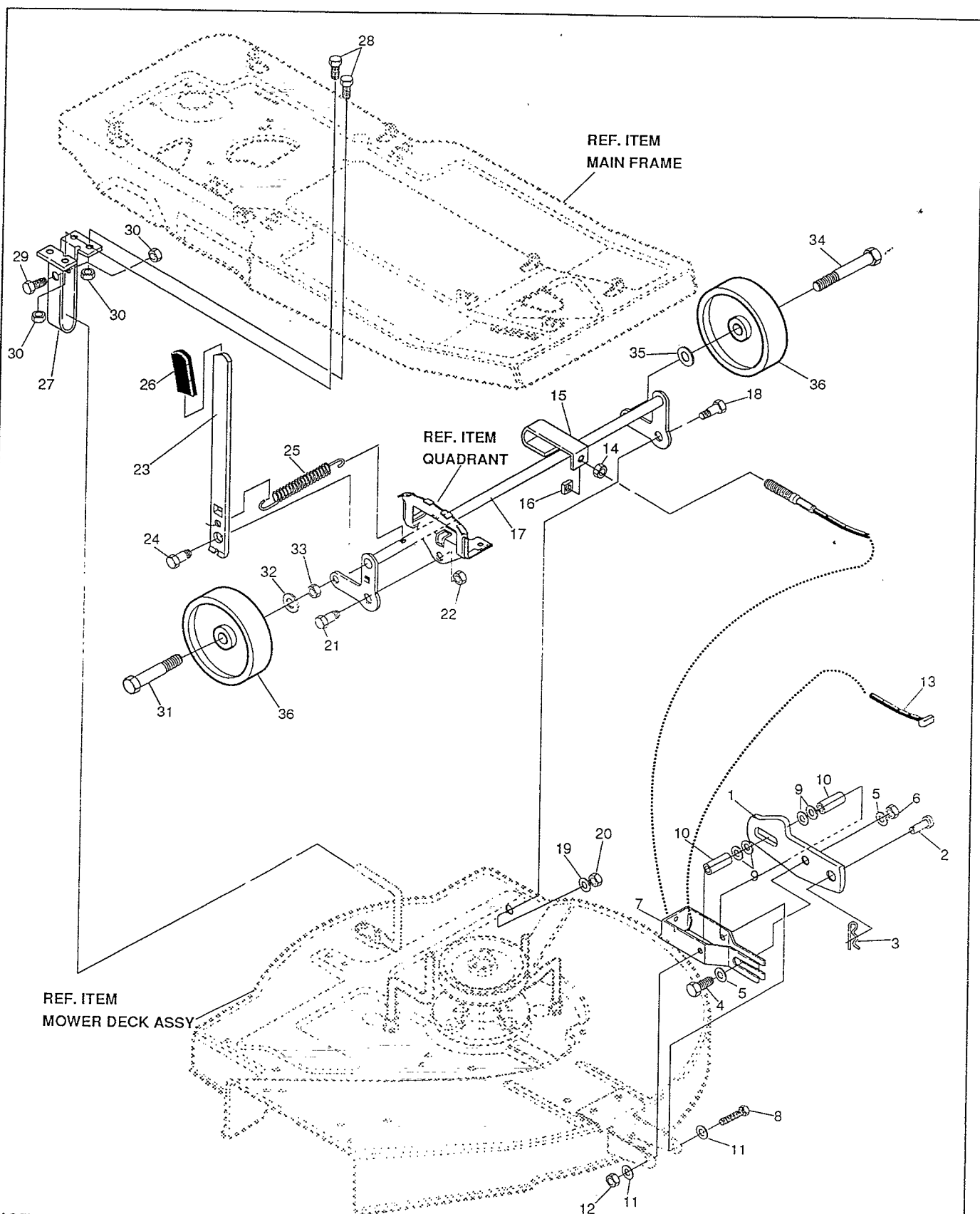
YOUR UNIT IS RIGHT HAND (RH) OR LEFT HAND(LH) AS YOUR STAND BEHIND IT.

KEY#	PART#	DESCRIPTION	QTY.
1	*309614	Frame	1
2	301181	Footpad RH	1
3	12555	Footpad LH	1
4	55454	Console	1 /
5	995346	Screw, 1/4-20 x .50 WA H H Tap	4
6	*310555	Seat Support	1
7	48901	Screw, 5/16-18 x .63 WA H HC GR2	2
8	120228	Screw, 5/16-18 x .63 H HC GR2	2
9	1498	Nut, 5/16-18 Reg H Ctr Lk	4
10	*311108	Seat/Shift Bracket	1
11	120229	Screw, 5/16-18 x .88 H HC GR2	2
12	1498	Nut, 5/16-18 Reg H Ctr Lk	2
13	35498	Screw, 5/16-18 x .75 WA H H Tap	1
14	50520	Spacer	2
15	122017	Screw, 5/16-18 x 1.00 H HC GR2	2
16	1498	Nut, 5/16-18 Reg H Ctr Lk	2
17	301132	Seat Spring	1 3
18	9416	Clamp, Spring	1
19	120706	Screw, 1/4-20 x .50 H HC GR2	1
20	1502	Nut, 1/4-20 Reg Hex Ctr Lk	1
21	305198	Fender LH	1 /
22	995346	Screw, 1/4-20 x .50 H WA Tap	4
23	306281	Fender RH	1 /
24	995346	Screw, 1/4-20 x .50 WA H H Tap	4
25	304315	Seat	1
26	*301330	Seat Brkt	1
27	180117	Screw, 3/8-16 x .56 HHC	2
28	1499	Nut, 3/8-16 REG HX CTR LK	2
29	*310447	Seat Plate	1
30	20507	Bolt, .437 x .156 HH SH 5/16-18	2
31	1498	Nut, 5/16-18 REG HEX CTR LK	2
32	120393	Washer, Flat .344 x .69 x .065	4
33	122007	Screw, 5/16-18 x .75 HHC GR2	4
34	120638	Washer, HV SP LK .328 x .60 x .11	4

* Raw part number. For a list of Painted part numbers refer to chart on decal page.

BOLD descriptions on parts page apply to box items and/or parts bag items.

26" RIDING MOWER MODEL A3594-060



NOTE: ALWAYS USE ORIGINAL EQUIPMENT PARTS. Use of service/replacement parts other than original equipment parts may void your warranty.

ALL UNNUMBERED ITEMS ARE INTERCHANGABLE WITH OPPOSITE SIDE

26" RIDING MOWER MODEL A3594-060

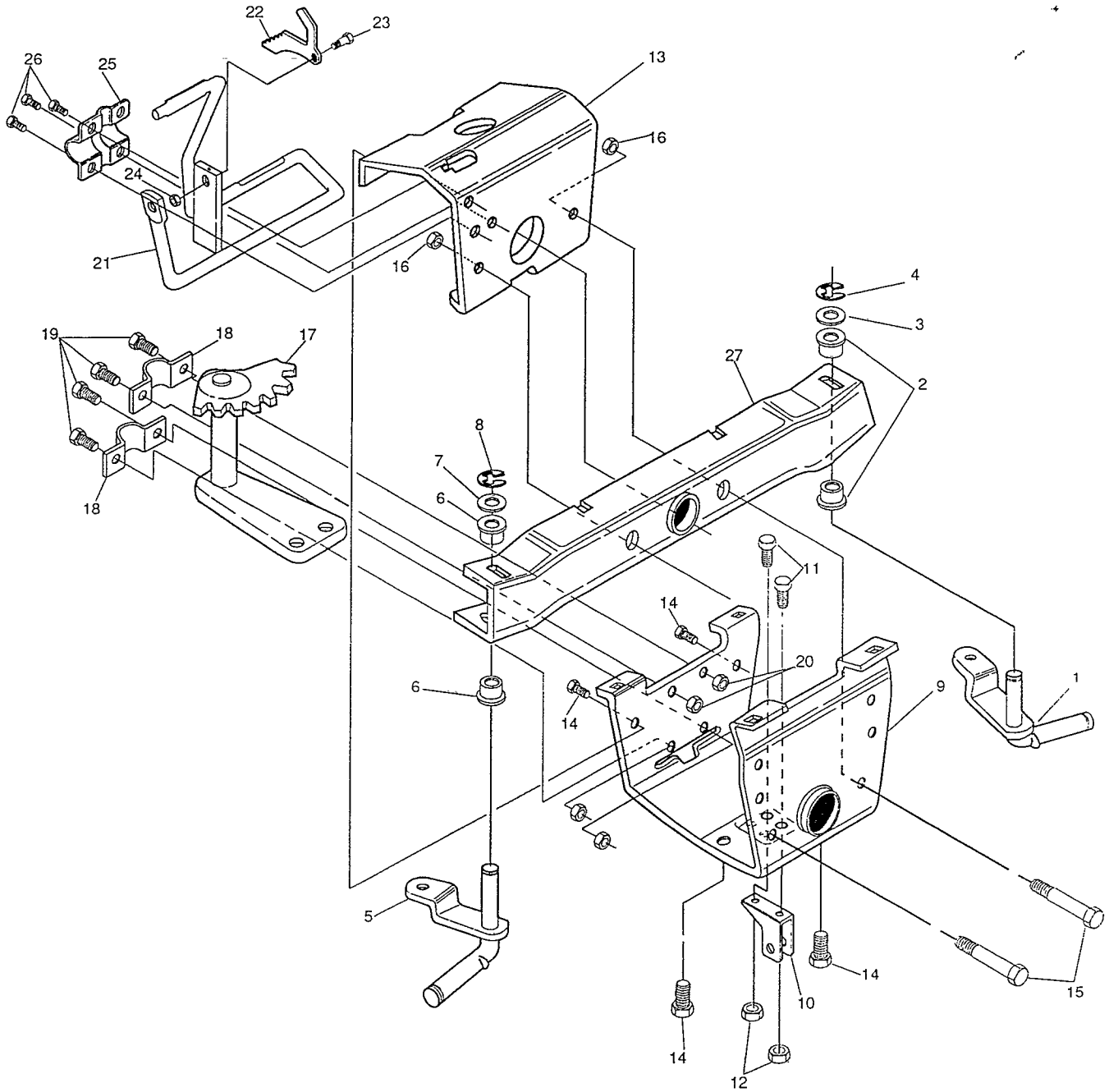
KEY#	PART#	DESCRIPTION	QTY.
1	9598	Bar Hitch, Z-PL	1
2	47816	Pin, .495 x 1.750 Clevis-Short	1
3	56180	Pin, Hair .091 Dia x 1.62 Lg	1
4	56739	Screw, 3/8-16 x 1.25 H HC GR5	1
5	120394	Washer, Flat .406 x .81 x .065	2
6	1499	Nut, 3/8-16 Reg Hx Ctr Lk	1
7	4289	Pivot Bracket	1
8	122201	Screw, 3/8-16 x 2.75 H HC GR2	1
9	120394	Washer, Flat .406 x .81 x .065	4
10	44848	Spacer	2
11	996416	Washer, Flat .391 x 1.00 x .125	2
12	1499	Nut, 3/8-16 Reg Hx Ctr Lk	1
13	55689	Lift Cable, 26" Mower	1 ✓
14	271172	Nut, 1/4-20 Hex Keps	1
15	304195	Cable Bracket	1
16	120372	Nut, 1/4-20 Reg Sq	1
17	*45539	Torque Tube Assy	1
18	39119	Bolt, .500 x .515 H H SH 3/8-16	1
19	120394	Washer, Flat .406 x .81 x .065	1
20	1499	Nut, 3/8-16 Reg Hx Ctr Lk	1
21	45434	Bolt, .500 x .290 H H SH 3/8-16	1
22	1499	Nut, 3/8-16 Reg Hx Ctr Lk	1
23	*301479	Lever, H. Adjust	1
24	39119	Bolt, .500 x .515 H H SH 3/8-16	1
25	42694	Spring,	1
26	53995	Grip Handle	1
27	49899	Rear Deck Guide	1 ✓
28	122007	Screw, 5/16-18 x .75 H HC GR2	2
29	122040	Screw, 5/16-18 x 1.50 H HC GR2	1
30	1498	Nut, 5/16-18 Reg Hex Ctr Lk	3
31	23763	Bolt, .500 x 1.390 H H SH 3/8-16	1
32	120394	Washer, Flat .406 x .81 x .056	1
33	271190	Nut, 3/8-16 Hex Keps	1
34	45406	Bolt, .500 x 1.390 x .68 x .10	1
35	120382	Washer, reg Spt Lk .393 x .68 x 10	1
36	52584	Wheel, SD 6.00 OD x 1.38 WD	2

* Raw part number. For a list of Painted part numbers refer to chart on decal page.

BOLD descriptions on parts page apply to box items and/or parts bag items.

26" RIDING MOWER MODEL A3594-060

NOTE: ALWAYS USE ORIGINAL EQUIPMENT PARTS. Use of service/replacement parts other than original equipment parts may void your warranty.



ALL UNNUMBERED
ITEMS ARE INTERCHANGABLE
WITH OPPOSITE SIDE

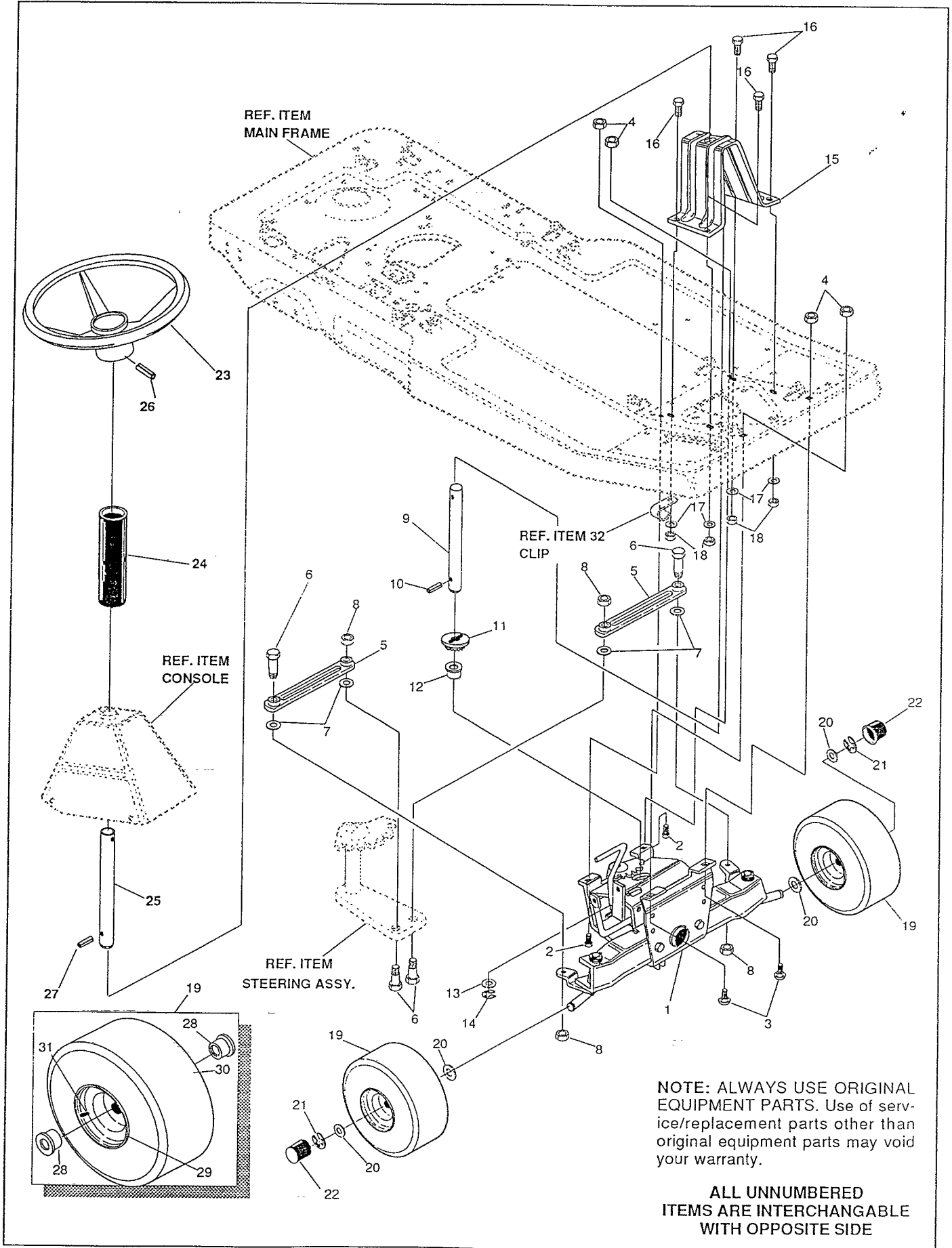
26" RIDING MOWER MODEL A3594-060

KEY#	PART#	DESCRIPTION	QTY.
1	303147	Assembly Spindle L.H.	1 /
2	12552	Bushing, Spindle	2 6
3	4107	Washer, Flat .635 x 1.31 x .07	1
4	20859	Ring, Ret E. .48 x .04 TRU 5133-62	1
5	303148	Assembly Spindle, R.H.	1 /
6	12552	Bushing, Spindle	2
7	4107	Washer, Flat .635 x 1.31 x .07	1
8	20859	Ring, Retaining E .48 x .04TRU 5133-62	1 ✓
9	310382	Bracket, Axle, Outer Front	1
10	302800	Hanger	1
11	120228	Screw, 5/16-18 x .63 HHC GR2	2
12	1498	Nut, 5/16-18 Reg H Ctr Lk	2
13	302799	Axle Bracket, Inner	1
14	35497	Screw, 5/16-18 x .50 WAHH Tap	4
15	122201	Screw, 3/8-16 x 2.75 H HC GR 2	2
16	1499	Nut, 3/8-16 Reg HX Ctr Lk	2
17	302958	Steering Assembly	1 /
18	302760	Clamp, .625 Dia.	2
19	120228	Screw, 5/16-18 x .63 H HC GR2	4
20	1498	Nut, 5/16-18 Reg Hex Ctr Lk	4
21	303149	Brake Arm Assembly	1
22	302955	Latch, Parking Brake	1 7
23	3275	Bolt, .373 x .140 H H SH 1/4-20	1
24	1502	Nut, 1/4-20 Reg H Ctr Lk	1
25	44112	Bracket, Clutch and Brake	1
26	35497	Screw, 5/16-18 x .50 WA H H Tap	5
27	303066	Front Axle Assembly	1

* Raw part number. For a list of Painted part numbers refer to chart on decal page.

BOLD descriptions on parts page apply to box items and/or parts bag items.

26" RIDING MOWER MODEL A3594-060



NOTE: ALWAYS USE ORIGINAL EQUIPMENT PARTS. Use of service/replacement parts other than original equipment parts may void your warranty.

ALL UNNUMBERED ITEMS ARE INTERCHANGABLE WITH OPPOSITE SIDE

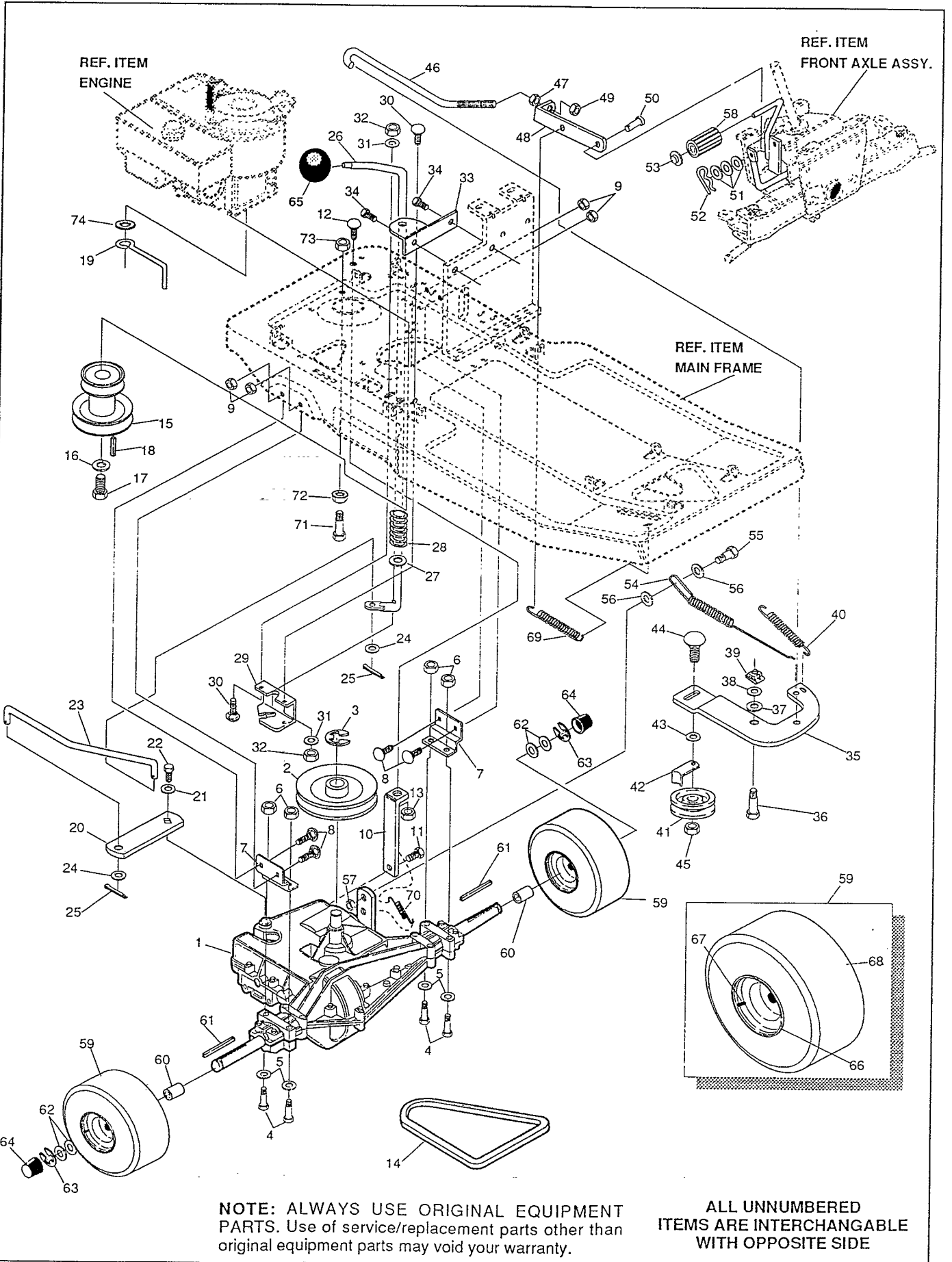
26" RIDING MOWER MODEL A3594-060

KEY#	PART#	DESCRIPTION	QTY.
1	*303146	Front Axle Assy.	1
2	122007	Screw, 5/16-18 x .75 H HC GR2	2
3	126211	Bolt, 5/16-18 x .63 Carr GR2	2
4	45174	Nut, 5/16-18 Hex Wd Fl Lk Whiz	4
5	303140	Tie Rod,	2 <i>4</i>
6	122145	Screw, 3/8-16 x 1.25 H HC GR2	4
7	120382	Washer, Reg Spt Lk .393 x .68 x .10	4
8	1499	Nut, 3/8-16 Reg Hx Ctr Lk	4
9	302768	Shaft Steering	1
10	454565	Pin, Spring .250 Dia. x 1.25 Lg	1
11	302766	Gear, Pinion	1 <i>2</i>
12	304010	Bushing-Steering	1 <i>1</i>
13	4107	Washer, Flat .635 x 1.31 x .07	1
14	20859	Ring, Retaining E .48 x .04 TRU 5133-62	1
15	305023	Support, Steering Shaft	1
16	48901	Screw, 5/16-18 x .63 WA H HC GR2	4
17	120393	Washer, Flat .344 x .69 x .065	4
18	1498	Nut, 5/16-18 Reg Hex Ctr Lk	4
19	305508	Tire & Rim, Pneumatic 11 x 4.00-5	2
20	40677	Washer, Flat .640 x 1.25 x .06	4 <i>4</i>
21	20859	Ring, Retaining E .48 x .04 TRU 5133-62	2 <i>1</i>
22	36832	Hub Cap	2 <i>1</i>
23	52955	Wheel, Steering, 2-Spoke	1 <i>1</i>
24	310851	Tube, Decorative, 8.87 Length	1
25	300796	Tube - Steering	1
26	456836	Pin, Spring .250 DIA x 2.75 LG	1
27	417375	Pin, Spring .187 DIA x 1.25 LG MD	1
28	301137	Bearing, Wheel	2 <i>10</i>
29	301175	Wheel	1
30	42295	Tire 11 x 4 - Turf	1
31	24167	Valve Stem	1
32		See Electrical System	1

* Raw part number. For a list of Painted part numbers refer to chart on decal page.

BOLD descriptions on parts page apply to box items and/or parts bag items.

26" RIDING MOWER MODEL A3594-060



NOTE: ALWAYS USE ORIGINAL EQUIPMENT PARTS. Use of service/replacement parts other than original equipment parts may void your warranty.

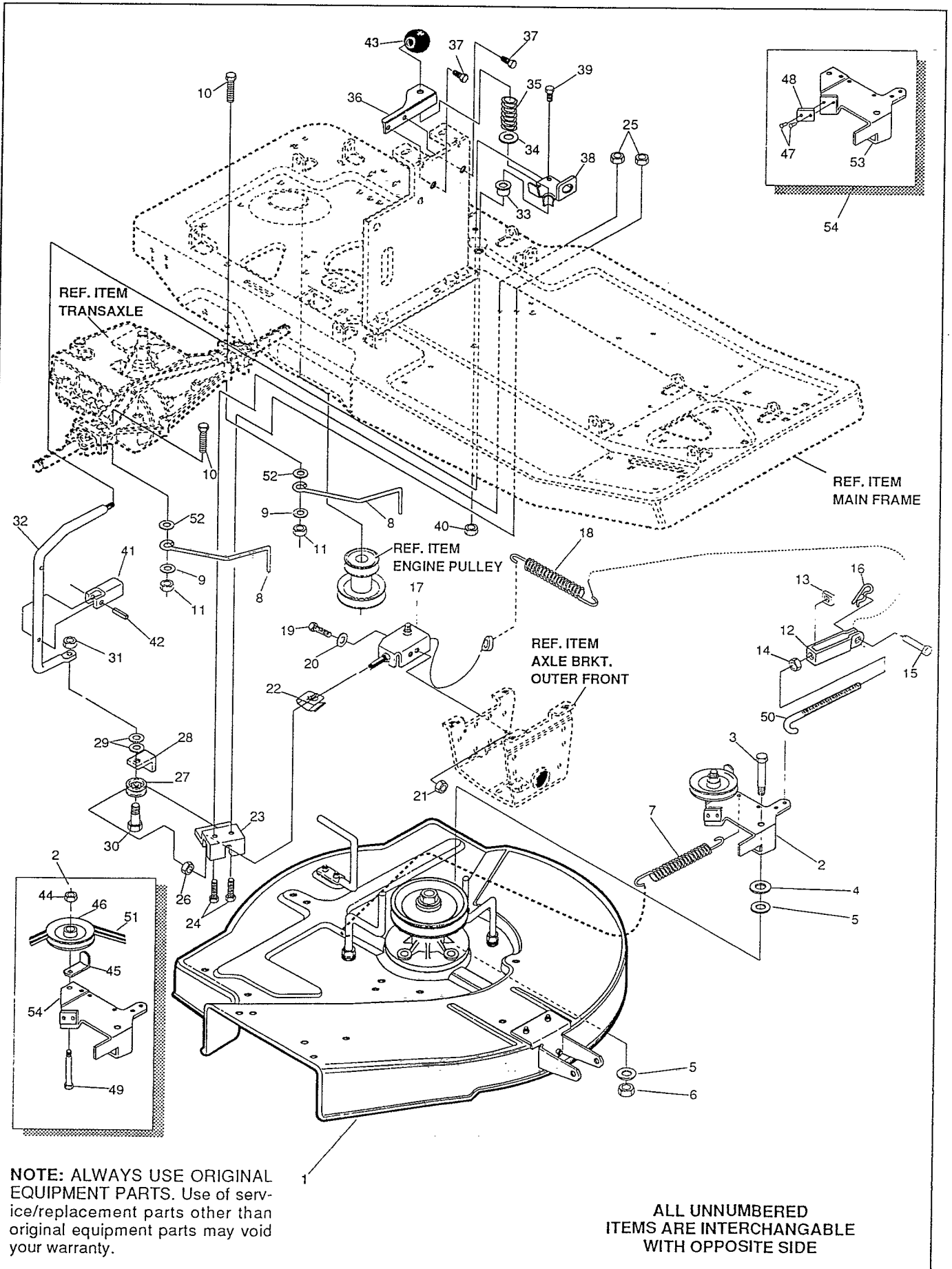
ALL UNNUMBERED ITEMS ARE INTERCHANGABLE WITH OPPOSITE SIDE

26" RIDING MOWER MODEL A3594-060

KEY#	PART#	DESCRIPTION	QTY.
1	309071	Transaxle Foot 4x00-22	1
2	303109	Pulley, Transaxle	1
3	22053	Ring, RETEX .58 x .04 TRU 5100-62	1
4	122077	Screw, 5/16-18 x 2.50 HHC GR2	4
5	120393	Washer, Flat .344 x .69 x .065	4
6	1498	Nut, 5/16-18 REG HEX CTR LK	4
7	9796	Bracket, Transaxle	2
8	126211	Bolt, 5/16-18 x .63 CARR	4
9	1498	Nut, 5/16-18 REG HEX CTR LK	4
10	300587	Bracket, Transaxle Support	1
11	35498	Screw, 5/16 - 18 x .75 WA HH TAP	1
12	126211	Bolt, 5/16-18 x .63 CARR	1
13	1498	Nut, 5/16 - 18 REG HEX CTR LK	1
14	300575	Belt, V 4L	1
15	55477	Pulley, ENG 3.92 OFF/3.87 D/3.00D	1
16	120382	Washer, REG SPT LK .393 X .68 X .10	1
17	123567	Screw, 7/16-20 x 1.00 HHC	1
18	33200	Key, Square .249 SQ x 1.50 Lg	1
19	55488	Belt Guide	1
20	9290	Shift Lever, Brkt	1
21	57157	Washer, .750 x .250	1
22	56255	Screw, 1/4-28 x .75 NYL HH CGR8	1
23	309410	Rod, Shift Connecting	1
24	120394	Washer, Flat .406 x .81 x .065	2
25	137185	Pin, Cotter .125 DIA X 1.00 LG	2
26	309255	Lever, Shift, Transaxle Z-PL	1
27	120396	Washer, Flat .531 x 1.06 x .095	1
28	301133	Spring, Shift Lever	1
29	309053	Bracket Detent Shift	1
30	126216	Bolt, 5/16-18 x .75 CARR	2
31	120393	Washer, Flat .344 x .69 x .065	2
32	1498	Nut, 5/16-18 REG HEX CTR LK	2
33	*303098	Shift Control Brkt.	1
34	995346	Screw, 1/4-20 x .50 WA HH TAP	2
35	12585	Arm, idler, Transaxle Drive	1
36	41890	Bolt, .625 x .218 HH SH 5/16-18z	1
37	4107	Washer, Flat .635 x 1.31 x .07	1
38	45602	Washer, Flat .333 x .87 x .119	1
39	301124	Tinnerman Clip	1
40	35410	Spring .071 x .62 x 4.37	1
41	35374	Pulley, Idler V4L	1
42	39659	Retainer, Strap Belt	1
43	274517	Washer, Flat .406 x .73 x .063	1
44	45892	Bolt, 3/8-16 x 1.50 CARR	1
45	1499	Nut, 3/8-16 REG HX CTR LK	1
46	303138	Rod Clutch	1
47	271184	Nut, 5/16-18 HEX KEPS	1
48	12591	Brkt. Clutch Brake	1
49	1498	Nut, 5/16-18 REG HEX CTR LK	1
50	39522	Pin Clevis .312 x .812	1
51	120393	Washer, Flat .344 x .69 x .065	3
52	8260	Pin, Hair .091 DIA x 1.66 LG	1
53	44582	Cap	1
54	309251	Spring, Brake	1
55	25086	Bolt, .500 x .375 HH SH 5/16-18	1
56	308188	Washer, Flat .515 x 1.31 x .09	2
57	1498	Nut, 5/16-18 REG HEX CTR LK	1
58	52840	Pedal Pad	1
59	55475	Tire & Rim, Pnuematic	2
60	310333	Spacer,	2
61	39628	Key, Square .187 SQ x 2.5 OLG	2
62	42815	Washer, Flat .755 x 1.53 x .07	4
63	36625	Ring, RET EX .57 x .05 TRU5133-75	2
64	40394	Cap, 1.500 ID x 7/8 LG HUB	2
65	55514	Shift Knob	1
66	55531	Wheel	1
67	24167	Valve Stem	1
68	41060	Tire 16 x 4.80 - 8 Turf	1
69	53704	Spring, 536 OD x .047 x 3.4	1
70	310155	Spring, Brake Return	1
71	122077	Screw, 5/16-18 x 2.50 HHC GR2	1
72	271184	Nut, 5/16-18 HEX KEPS	1
73	1498	Nut, 5/16-18 REG HEX CTR LK	4
74	138485	Washer, EX LK .320 x .61 x .03	1

* Raw part number. For a list of Painted part numbers refer to chart on decal page.
 BOLD descriptions on parts page apply to box items and/or parts bag items.

26" RIDING MOWER MODEL A3594-060



NOTE: ALWAYS USE ORIGINAL EQUIPMENT PARTS. Use of service/replacement parts other than original equipment parts may void your warranty.

ALL UNNUMBERED ITEMS ARE INTERCHANGABLE WITH OPPOSITE SIDE

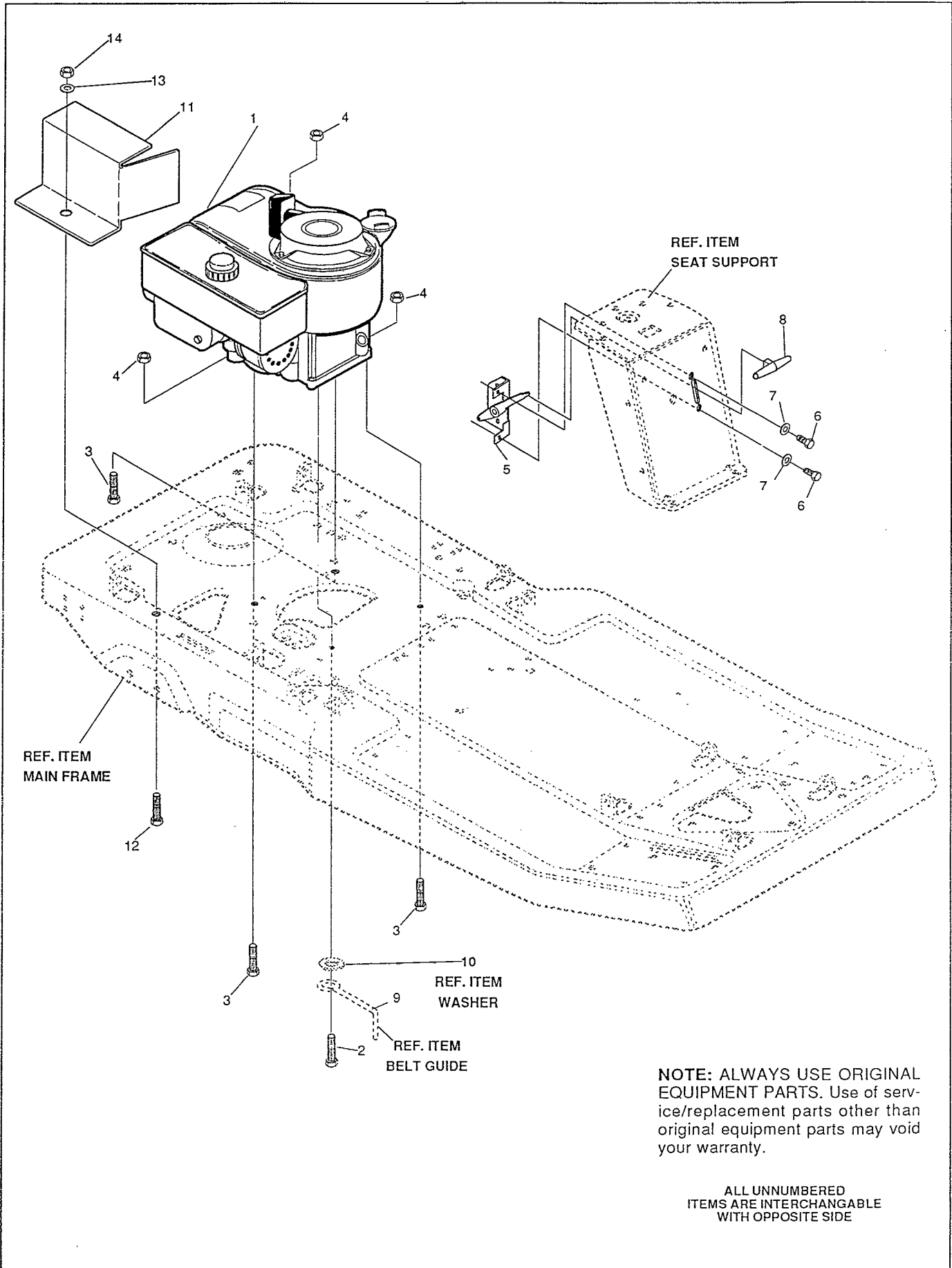
26" RIDING MOWER MODEL A3594-060

KEY#	PART#	DESCRIPTION	QTY.
1	*311037	Assy, 26" SD Deck	1
2	301635	Assy, Idler Arm Compl.	1
3	301620	Bolt, .500 x 2.375 H H SH 3/8-16	1
4	120394	Washer, Flat .406 x .81 x .065	1
5	845	Washer, Flat .390 x 1.25 x .119	2
6	1499	Nut, 3/8-16 Reg Hx Ctr Lk	1
7	35410	Spring, .071 x .62 x 4.37	1
8	310388	Guide Belt	2
9	120393	Washer, Flat .344 x .69 x .065	2
10	122077	Screw, 5/16-18 x 2.50 H HC GR2	2
11	1498	Nut, 5/16-18 Reg Hex Ctr Lk	2
12	9405	Clevis, Lift Cable Z-PL	1
13	120372	Nut, 1/4-20 Reg Sq	1
14	271172	Nut, 1/4-20 Hex Keps	1
15	39522	Pin, Clevis .312 x .812	1
16	56180	Pin, Hair .091 Dia x 1.62 Lg	1
17	12521	Cable PTO Assy.	1
18	300473	Tension Spring	1
19	120228	Screw, 5/16-18 x .63 H HC GR2	1
20	120393	Washer, Flat .344 x .69 x .065	1
21	1498	Nut, 5/16-18 Reg Hex Ctr Lk	1
22	309098	Clip	1
23	300698	Bracket, Frame, Cable	1
24	180018	Screw, 1/4-20 x .62 H HC GR5	2
25	1502	Nut, 1/4-20 Reg Hex Ctr Lk	2
26	120613	Nut, 1/4-28 H Jam	1
27	39298	Pulley, .906 x .305 Nylon	1
28	1288	Bracket, Cable Retainer Z-PL	1
29	120393	Washer, Flat .344 x .69 x .065	2
30	58336	Screw, 3/8 x 3/8 x 1/2 HX HD SH BLT	1
31	1502	Nut, 1/4-20 Reg Hex Ctr Lk	1
32	310556	Mower Clutch Lever	1
33	310351	Bearing, Flanged, Nylon	1
34	302921	Retainer, Spring	1
35	304398	Spring Compression	2
36	*311107	Bracket, PTO Support	1
37	995346	Screw, 1/4-20 x .50 WA H H Tap	2
38	310309	Bracket, PTO Limit Z-PL	1
39	35498	Screw, 5/16-18 x .75 WA H H Tap	1
40	1498	Nut, 5/16-18 Reg Hex Ctr Lk	1
41	305225	Bracket, PTO Limit Z-PL	2
42	455481	Pin, Spring .187 Dia x 1.00 Lg	1
43	55514	Shift Knob	1
44	1499	Nut, 3/8-16 REG HX CTR LK	1
45	39659	Retainer, Strap Belt	1
46	45074	Pulley, Idler V4L 3.05 x .72	1
47	41601	Rivet, Ovset .187 DIA x .50 LGS	2
48	306973	Brake Pad	1
49	122168	Screw, 3/8-16 x 1.75 HHC GR2	1
50	311980	Adjustment Arm	1
51	309175	Belt, Deck Drive, 4L44	1
52	138485	Washer EXT LK	2
53	9655	Bracket, Blade Idler	1
54	301634	Assy., Idler Arm	1

* Raw part number. For a list of Painted part numbers refer to chart on decal page.

BOLD descriptions on parts page apply to box items and/or parts bag items.

26" RIDING MOWER MODEL A3594-060



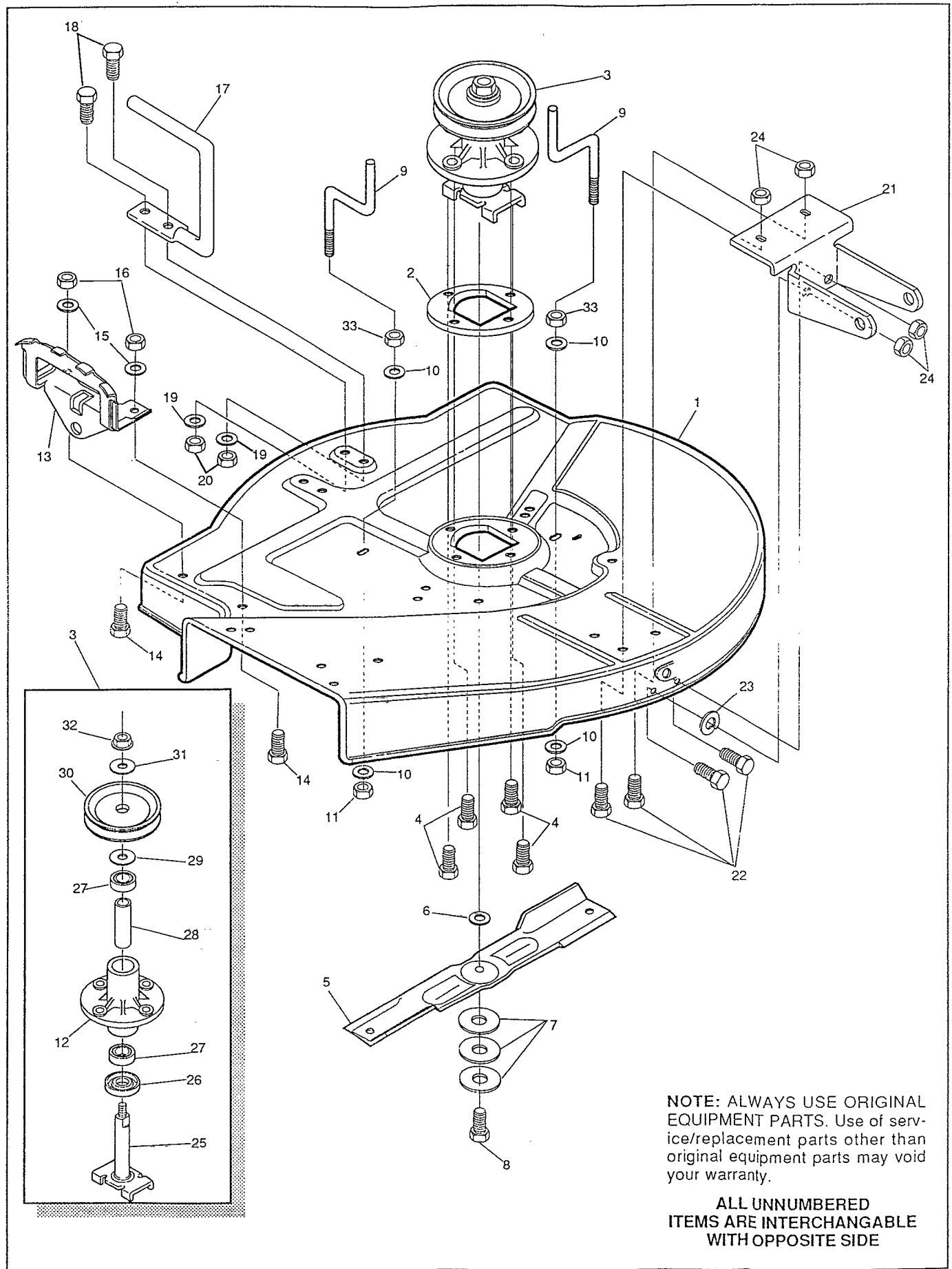
26" RIDING MOWER MODEL A3594-060

KEY#	PART#	DESCRIPTION	QTY.
1	303163	Engine	1
2	56030	Screw, 5/16-18 x .75 WD FL LK	1
3	180083	Screw, 5/16 - 18 x 1.50 HHC	3
4	44108	Nut, 5/16 - 18 H WD FL LK	3
5	305929	Control, Throttle	1 <i>10</i>
6	35287	Screw #8-32 x .38 HH WA TAP	2
7	414106	Washer, Flat .188 x .38 x .040	2
8	39486 <i>50607</i>	Throttle Control Knob-T Shape	1 <i>✓</i>
9		See Traction Drive Group	
10		See Traction Drive Group	
11	310537	Deflector, Heat	1
12	120228	Screw, 5/16-18 18 x 63 HHC	1
13	120393	Washer, Flat .344 x .69 x .065	1
14	1498	Nut, 5/16-18 REG HEX CTR LK	1

* Raw part number. For a list of Painted part numbers refer to chart on decal page.

BOLD descriptions on parts page apply to box items and/or parts bag items.

26" RIDING MOWER MODEL A3594-060



NOTE: ALWAYS USE ORIGINAL EQUIPMENT PARTS. Use of service/replacement parts other than original equipment parts may void your warranty.

ALL UNNUMBERED ITEMS ARE INTERCHANGABLE WITH OPPOSITE SIDE

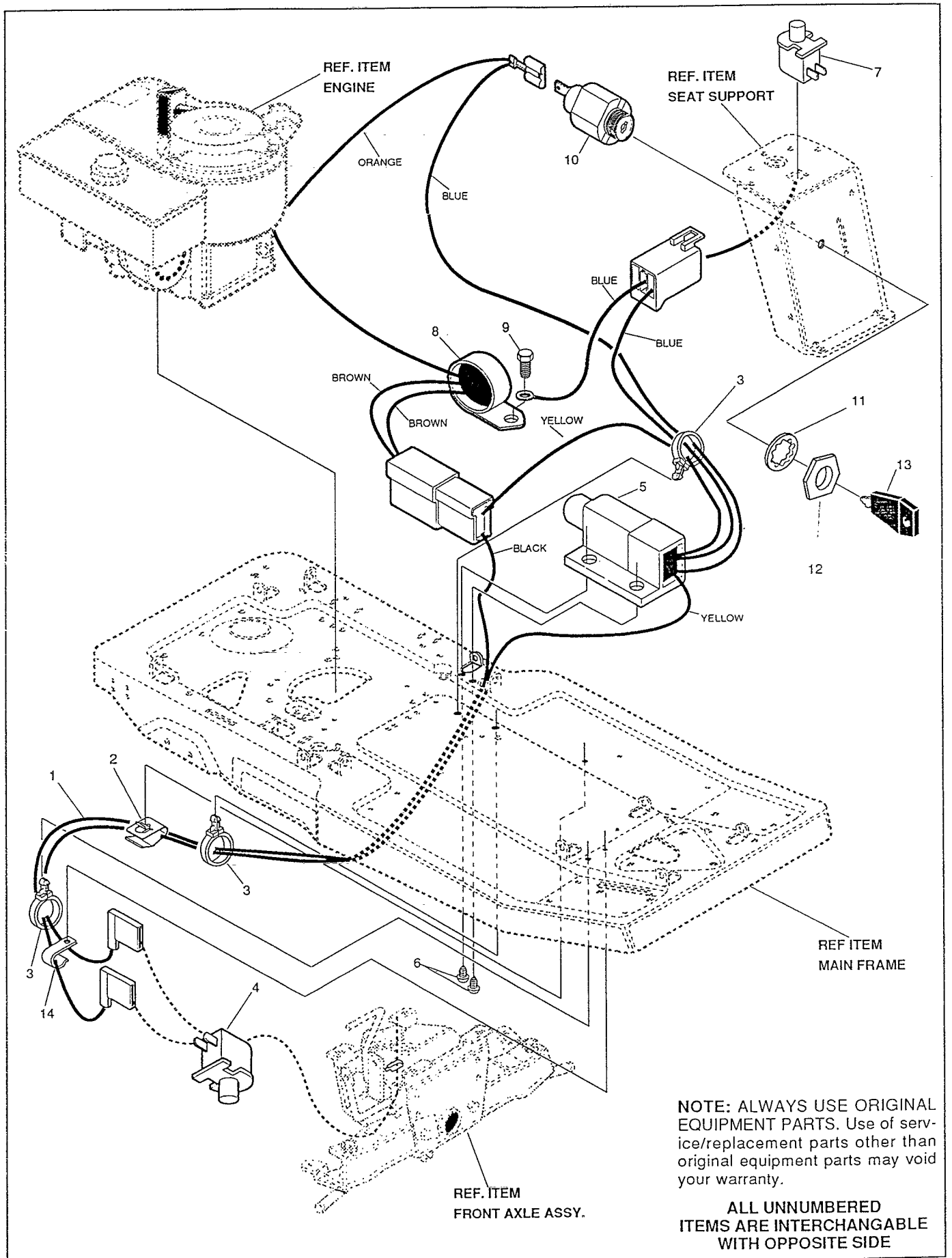
26" RIDING MOWER MODEL A3594-060

KEY#	PART#	DESCRIPTION	QTY.
1	43926	Mower Deck	1
2	300751	Quill Spacer	1
3	304176	Quill Assembly, 26 In.	1 3
4	300345	Screw, 5/16-18 x 1.38 WA TAP GR2	4
5	55476	Blade, 26" STD-Lift	1
6	35336	Washer, Flat .390 x .75 x .031	1
7	2483	Washer, .391 D x 1.25 x .07 Belleville	3
8	39573	Screw, 3/8-24 x 1.00 Nyl H HC GR5	1 U
9	55481	Guide, Belt	2 2
10	120393	Washer, Flat .344 x .69 x .065	4
11	1498	Nut, 5/16 - 18 REG HEX CTR LK	2
12	55547	Casting, Quill	1
13	310565	Quadrant, Ht. Adjust	1 1
14	120228	Screw, 5/16-18 x .63 H HC GR2	2
15	446363	Washer, Flat .375 x .88 x .082	2
16	1498	Nut, 5/16-18 Reg Hex Ctr Lk	2
17	55478	Guide-Rear	1 1
18	122017	Screw, 5/16-18 x 1.00 H HC GR2	2
19	45602	Washer, Flat .33 x .87 x .119	2
20	1498	Nut, 5/16-18 Reg Hex Ctr Lk	2
21	45542	Deck Bracket	1
22	120228	Screw, 5/16-18 x .63 H HC GR2	4
23	120638	Washer, HV SPT LK .328 x .60 x .11	1
24	1498	Nut, 5/16-18 Reg Hex Ctr Lk	4
25	56623	Shaft/ Saddle Assy.	1 ✓
26	50616	Dust Shield	1
27	49562	Bearing, Ball	2 ✓
28	50818	Spacer, 3.79 LGX .669ID x .88OD	1
29	56280	Spacer	1
30	56390 313698	Pulley, Quill	1 ✓
31	56365	Special Washer	1
32	1282	Nut, 7/16-20 WDFLLK	1
33	271184	Nut, 5/16-18 Hex Keps	2

* Raw part number. For a list of Painted part numbers refer to chart on decal page.

BOLD descriptions on parts page apply to box items and/or parts bag items.

26" RIDING MOWER MODEL A3594-060



26" RIDING MOWER MODEL A3594-060

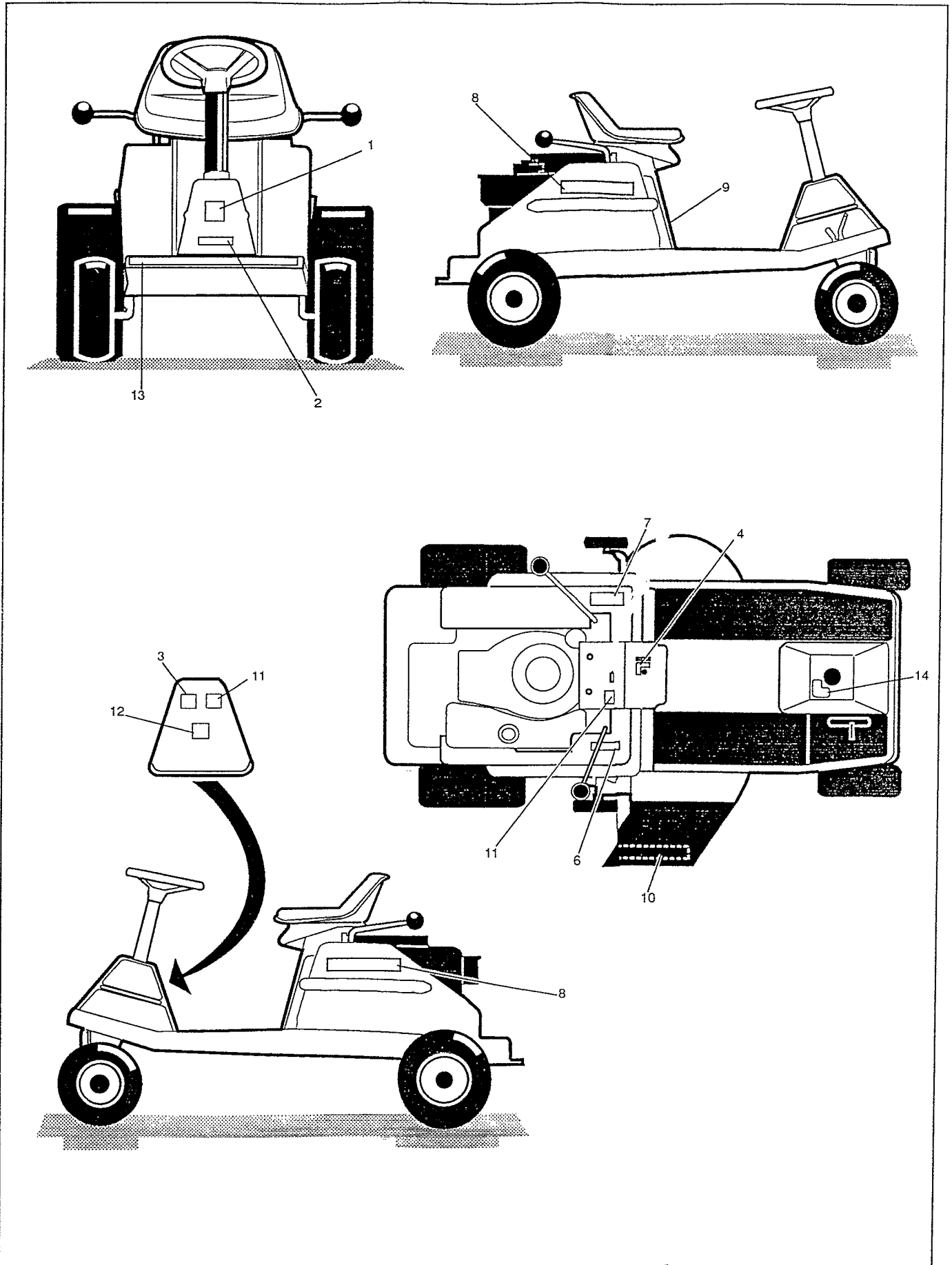
KEY#	PART#	DESCRIPTION	QTY.
1	305975	Wire Harness	1 2
2	309098	Clip	1
3	309698	Clip, Wire Routing, Snap-in	3
4	12553	Switch PRO KEY	1 5
5	57476	Switch	1 5
6	57220	Screw, #12 x .50 PHPN H Tap	2
7	58277	Switch Sade	1 5
8	306419	Control Module	1 5
9	35287	Screw, #8-32 x .38 H H WA Tap GR2	1
10	46376	Switch, Ignition	1 5
11	138557	Washer, LK	1 5
12	48140	Nut, 5/8-32 Ign Switch	1
13	+300626	Key, Ignition Switch	1 5
14	57569	Clip, Cable	1

* Raw part number. For a list of Painted part numbers refer to chart on decal page.

+Referenced for Parts & Service only.

BOLD descriptions on parts page apply to box items and/or parts bag items.

26" RIDING MOWER MODEL A3594-060



26" RIDING MOWER MODEL A3594-060

KEY#	PART#	DESCRIPTION	QTY.
1	70546	Decal, Texas	1
2	306999	Decal	1
3	300638	Decal, Export 100DB	1
4	311234	Decal, Igmt. Throttle	1
6	311230	Decal, Shift	1
7	306767	Decal, ON/OFF Power	1
8	70546	Decal, Texas	2
9	68901	Decal, Height Adjustment	1
10	70563	Decal, Deck Defl.	1
11	311227	Decal, Hearing Protection	1
12	311225	Decal, Warning French	1
13	70545	Decal, Front Frame "Texas"	1
14	306775	Decal-Park 'N/Brake, EEC, ISO	1

PAINTED PARTS MATRIX

RAW PN	DESCRIPTION	PAINTED PN	COLOR
303146	Front Axle Assy	311012	YELLOW 189
309614	Frame	311013	YELLOW 189
310555	Seat Support	311014	YELLOW 189
311108	Seat/Shift Bracket	311170	YELLOW 189
301330	Seat Bracket	306904	YELLOW 189
43950	Chute Deflector	3571	BLACK 853
45539	Torque Tube Assy.	4298	BLACK 853
301479	Lever, Height Adjust	9636	BLACK 853
303098	Shift Control Bracket	306907	YELLOW 189
311107	Bracket, Pto Support	311147	YELLOW 189
311037	Assy, 26" SD Deck	311038	BLACK 853
310447	Seat Plate	311060	YELLOW 189

* Raw part number. For a list of Painted part numbers refer to chart on decal page.

BOLD descriptions on parts page apply to box items and/or parts bag items.