

OWNER'S MANUAL

26" - 5 H.P. RIDING MOWER

MODEL 3594-2200

ONE YEAR LIMITED WARRANTY

For one (1) year from date of purchase by the first consumer for residential use (thirty (30) days commercial use), Western International Incorporated warrants that it will replace free of charge, including labor, any original part of any Western International Incorporated product found to be defective by any authorized Service Dealer or the factory, except the battery which is warranted for ninety (90) days from date of purchase.

This warranty does not cover engine, transmission, transaxle or differential (these items are covered by their manufacturer's own warranty). This warranty does not cover parts that have failed due to normal wear or parts that have failed subject to misuse or abuse. Transportation of the unit or part to and from an authorized Service Dealer or factory is the responsibility of the owner.

A step by step explanation as to what procedure should be followed for this Warranty is:

1. If a part becomes defective, contact the store where the unit was purchased for the name and address of the authorized Service Dealer nearest to you.
2. If you cannot locate an authorized Service Dealer, write Service Department of Western International Incorporated for the name and address of the authorized Service Dealer in your area or call the Service Department at 1-515-265-3461.
3. Return the defective product, along with proof of purchase to such authorized Service Dealer for replacement of any defective part where covered by this warranty.

There is no other express warranty. Implied warranties, including those of merchantability and fitness for a particular purpose are limited to one (1) year from date of purchase. Liability for incidental or consequential damages are excluded.

Some states do not allow limitations on how long an implied warranty lasts, so the above limitation may not apply to you. Some states do not allow the exclusion of incidental or consequential damages, so the above exclusion may not apply to you. This warranty gives you specific legal rights, and you may have other rights which vary from state to state.

UNIT PARTS AND SERVICE

This manual contains instructions for safety, assembly and maintenance. Read this manual carefully and completely so that you will know proper assembly, use and care of your unit. Also fill in and mail the registration card packed with the unit. For service other than covered in this manual, contact an authorized service dealer. A nationwide parts and service organization has been established to provide locally available parts and service. A list of authorized parts distributors has been included in this manual. When ordering repair parts, always give the following information: 1. The Part Name; 2. The Part Number; 3. The Quantity desired; 4. The Full (eight digit) Model Number of the unit. The model number will be found on a plate attached to the unit.



Look for this symbol.

It means - **ATTENTION! BECOME ALERT! A HAZARD TO OPERATOR, BYSTANDER, PROPERTY OR EQUIPMENT MAY EXIST.**

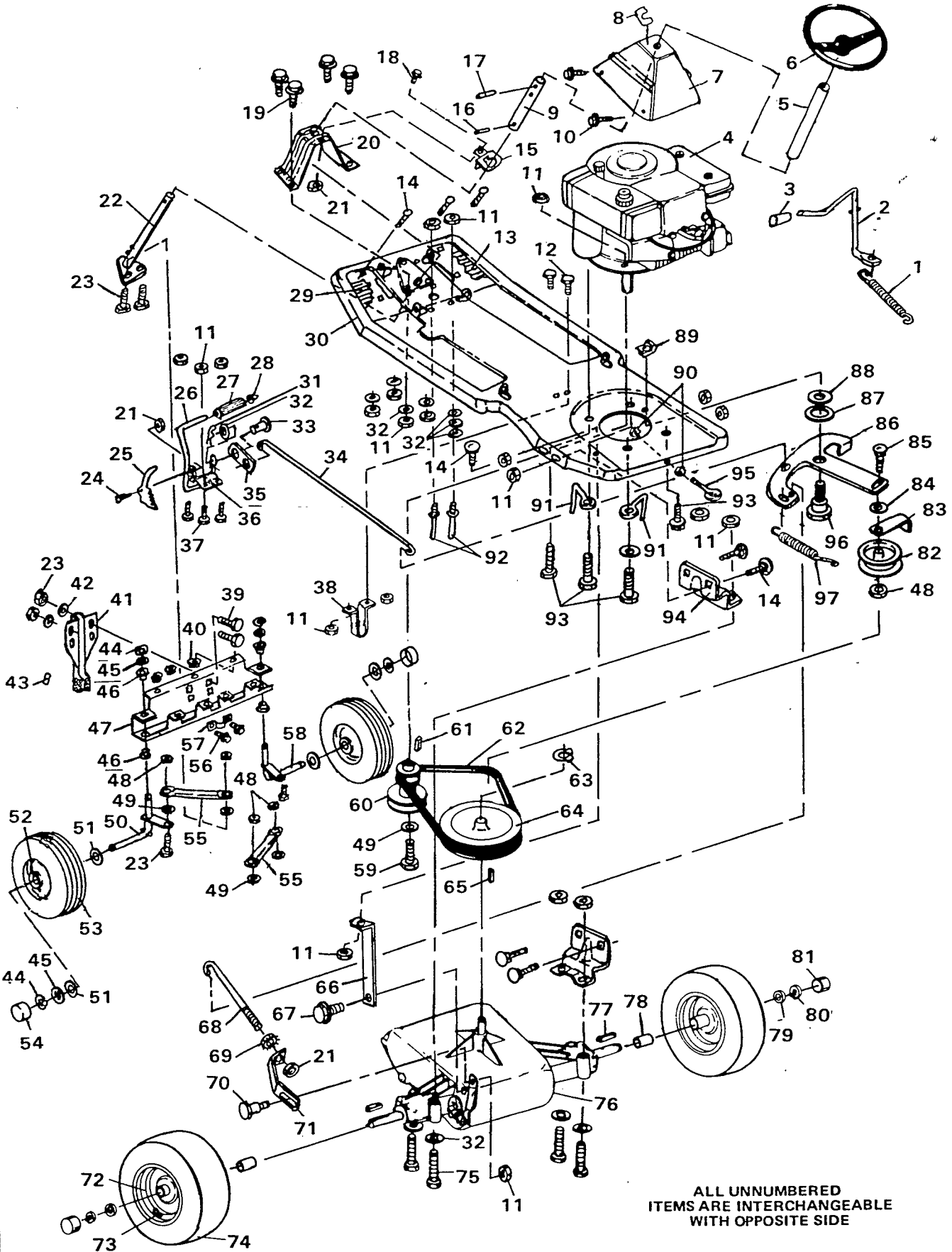
NOMA OUTDOOR PRODUCTS INCORPORATED
P.O. BOX 8000
JACKSON, TENNESSEE 38308-8000

Part No. 307526

1689

5-26 / 88

26" RIDING MOWER MODELS 3594-12, 3594-13, & 3594-15



ALL UNNUMBERED
ITEMS ARE INTERCHANGEABLE
WITH OPPOSITE SIDE

26" RIDING MOWER MODELS 3594-12, 3594-13, & 3594-15

ALWAYS GIVE THE FOLLOWING INFORMATION WHEN ORDERING REPAIR PARTS:

1. The PART NUMBER; 2. The PART NAME; 3. QUANTITY DESIRED; 4. The MODEL NUMBER (As shown on Model Plate).
SEND PART ORDERS AS PER INSTRUCTIONS ON THE FRONT PAGE.

YOUR UNIT IS RIGHT HAND (RH) OR LEFT HAND (LH) AS YOUR STAND BEHIND IT.
DO NOT USE KEY NUMBERS WHEN ORDERING REPAIR PARTS, ALWAYS USE PART NUMBERS.

All replacement parts will be supplied in current production colors or in a neutral color.

A handling fee is applicable to small parts orders.

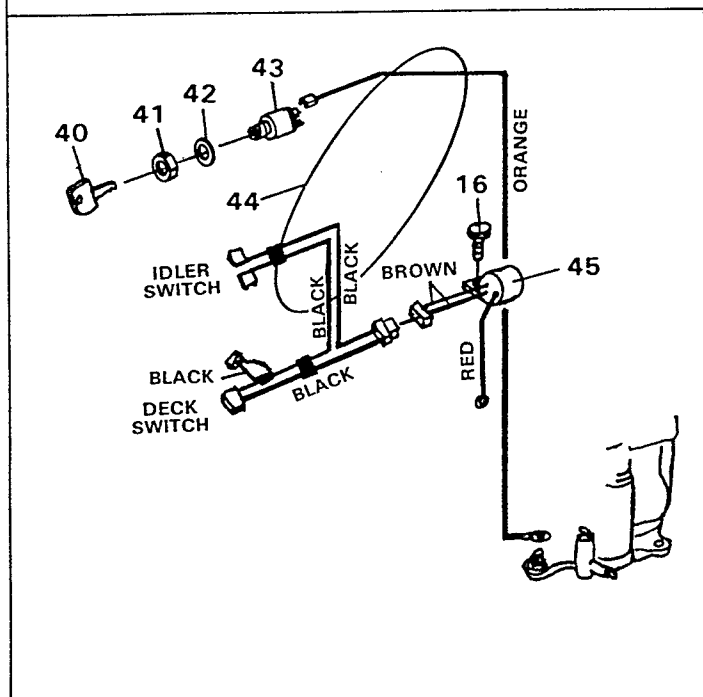
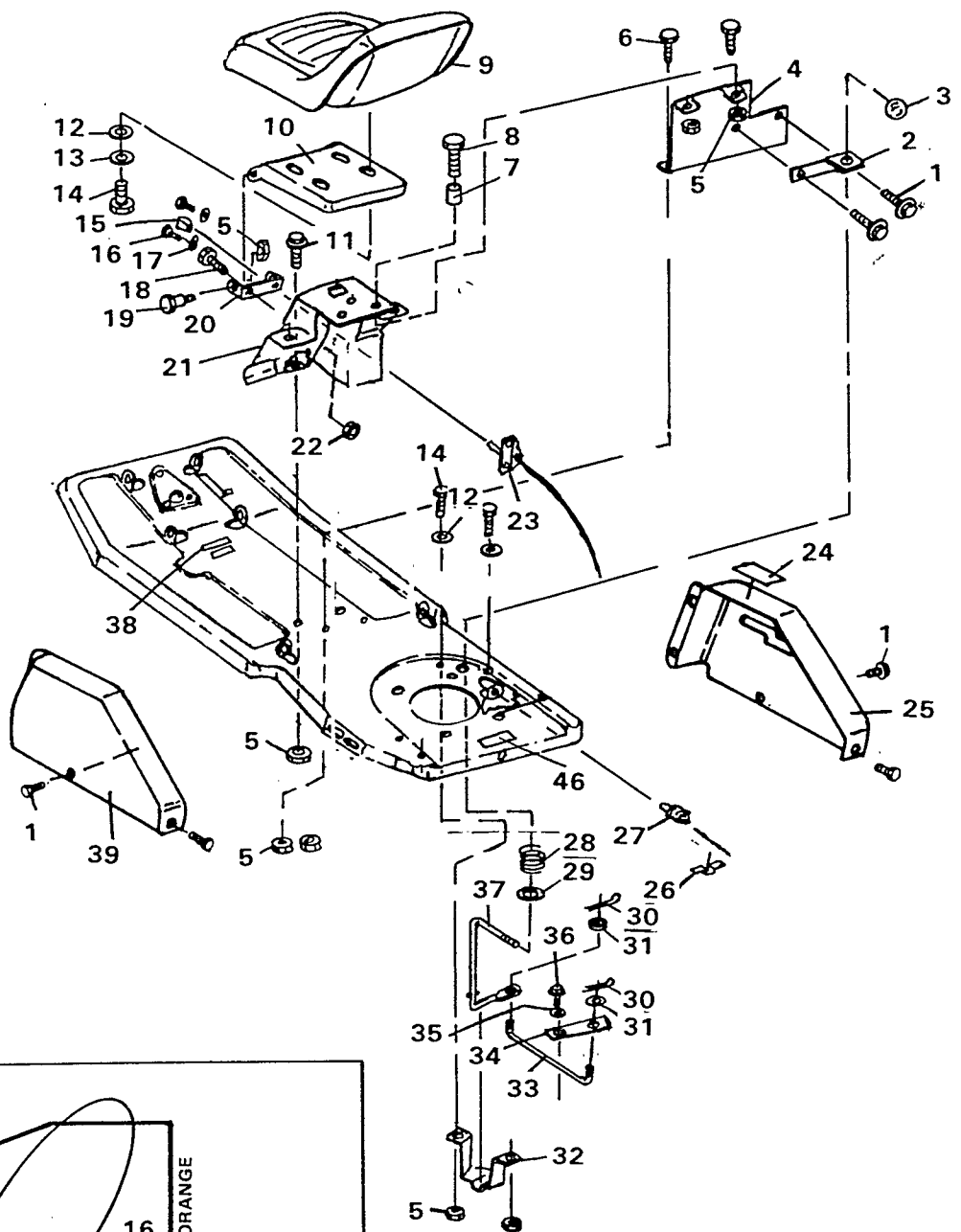
Key No.	Part No.	Description	Key No.	Part No.	Description
1	301293	Spring, Deck Engage Handle	50	301493	Spindle, L.H.
2	301236	Deck Engage Handle	51	40677	Flatwasher, 5/8 In.
3	3057	Knob, Deck Engage Handle	52	53619	Bearing, Wheel, Front
4	Engine	~See Footnote Below	53	53618	Wheel & Tire Assy, Front
5	300736	Tube, Steering, Decorative	54	36832	Hub Cap, Front
6	52955	Wheel, Steering	55	300916	Tie Rod Assembly
7	301289	Console Assembly	56	35497	Screw, Taptite, 5/16-18 x 1/2 In.
8	301725	Decal, Deck Engage (3594-12)	57	51805	"U"Bracket
8	301771	Decal Deck Engage (3594-15)	58	301492	Spindle, R.H.
8	302012	Decal, Deck Engage (3594-13)	59	120758	*Screw, Hex Hd, 3/8-24 x 7/8 In.
9	300796	Shaft, Steering	60	55477	Pulley Assembly, Engine
10	995346	*Screw, Taptite, 1/4-20 x 1/2 In.	61	33200	Keym, Square, 1/4 x 1-1/2 In.
11	9413447	Locknut, 5/16-18 Thd.	62	300575	V-Belt
12	122007	*Screw, Hex Hd, 5/16-18 x 3/4 In.	63	22053	Retaining Ring
13	301181	Pad, Footrest, R.H.	64	300979	Pulley, Transaxle
14	126211	*Carriage Bolt, 5/16-18 x 5/8 In.	65	3021	Key, Woodruff No. 606
15	301234	Bracket, Deck Engage Handle Support	66	300587	Bracket, Transaxle Support
16	9417375	Pin Spival, 3/16 z 1-1/4 In.	67	35498	Screw, Taptite, 5/16-18 x 3/4 In.
17	456836	Roll Pin, 1/4 x 2-1/4 In.	68	300580	Rod, Brake
18	120854	*Screw, Hex Hd, 1/4-20 x 5/8 In.	69	271172	*Keps Nut, 1/4-20 Thd.
19	48901	Screw, Hex Wa Hd, 5/16-18 x 5/8 In.	70	29386	Shoulder Bolt
20	301290	Support, Steering	71	300630	Bracket, Brake Rod
21	9424215	Lever, Parking Brake	72	55531	Wheel, Rear
22	301008	Steering Shaft Assembly	73	24167	Valve Stem
23	122145	*Screw, Hex Hd, 3/8-16 x 1-1/4 In.	74	41060	Tire, Rear
24	3275	Shoulder Bolt	75	180087	*Screw, Hex Hd, 5/16-18 x 2 In.
25	47601	Lever, Parking Brake	76	Transaxle	^Peerless, 3 Speed
26	51833	Lever Assembly, Clutch/Brake	77	39628	Key, 3/16 x 2-1/2 In.
27	52840	Pad, Clutch/Brake Pedal	78	300588	Spacer
28	44582	Push Nut	79	42815	Flatwasher
29	301180	Pad, Footrest, L.H.	80	36625	"E" Ring
30	300605	Main Frame	81	40394	Hub Cap
31	8260	Hairpin Cotter	82	35374	Pulley, Idler
32	120393	*Flatwasher, 11/32 In.	83	39659	Retainer, Belt
33	39522	Pin, Clevis	84	274517	Flatwasher, 13/32 In.
34	300593	Clutch Rod	85	45892	Carriage Bolt, 3/8-16 x 1-1/2 In.
35	300584	Bracket, Clutch Rod	86	300591	Idler Arm
36	44112	Bracket, Clutch/Brake	87	48253	Flatwasher, 5/8 In.
37	120228	*Screw, Hex Hd, 5/16-18 x 5/8 In.	88	45602	Washer
38	49899	Guide, Mower Deck	89	301124	Tinnerman Clip
39	122119	*Screw, Hex Hd, 3/8-16 x 3/4 In.	90	120377	*Nut, Hex, 3/8-16 Thd.
40	45174	Locknut, Wide Flange, 5/16-18 Thd.	91	301119	Belt Guide
41	55459	Bracket, Deck Hanger	92	301233	Stop, Deck Engage Handle
42	120394	*Flatwasher, 13/32 In.	93	122040	*Screw, Hex Hd, 5/16-18 x 1-1/2 In.
43	68644	Decal, Hanger	94	300592	Bracket, Transaxle Mount
44	20859	Retaining Ring	95	44121	Eye Bolt, 3/8-16 x 3-1/2 In.
45	4107	Flatwasher	96	41890	Shoulder Bolt
46	44111	Bearing, Flange	97	35410	Spring, Return
47	55466	Axle Assembly, Front	98	301886	Owner's Manual Eng. (Not Illus.)
48	9413534	Locknut, 3/8-16 Thd.	99	301888	Owner's Manual Fr. (Not Illus.)
49	120382	*Lockwasher, Split, 25/64 In.			

(*) Standard Hardware Items - May Be Purchased Locally.

(~) Contact Engine Manufacturer's authorized service dealer (see Engine Manual) for parts and warranty.

(^) Contact Tecumseh/Peerless authorized service dealer for parts and warranty.

26" RIDING MOWER MODELS 3594-12, 3594-13, & 3594-15



ALL UNNUMBERED
ITEMS ARE INTERCHANGEABLE
WITH OPPOSITE SIDE

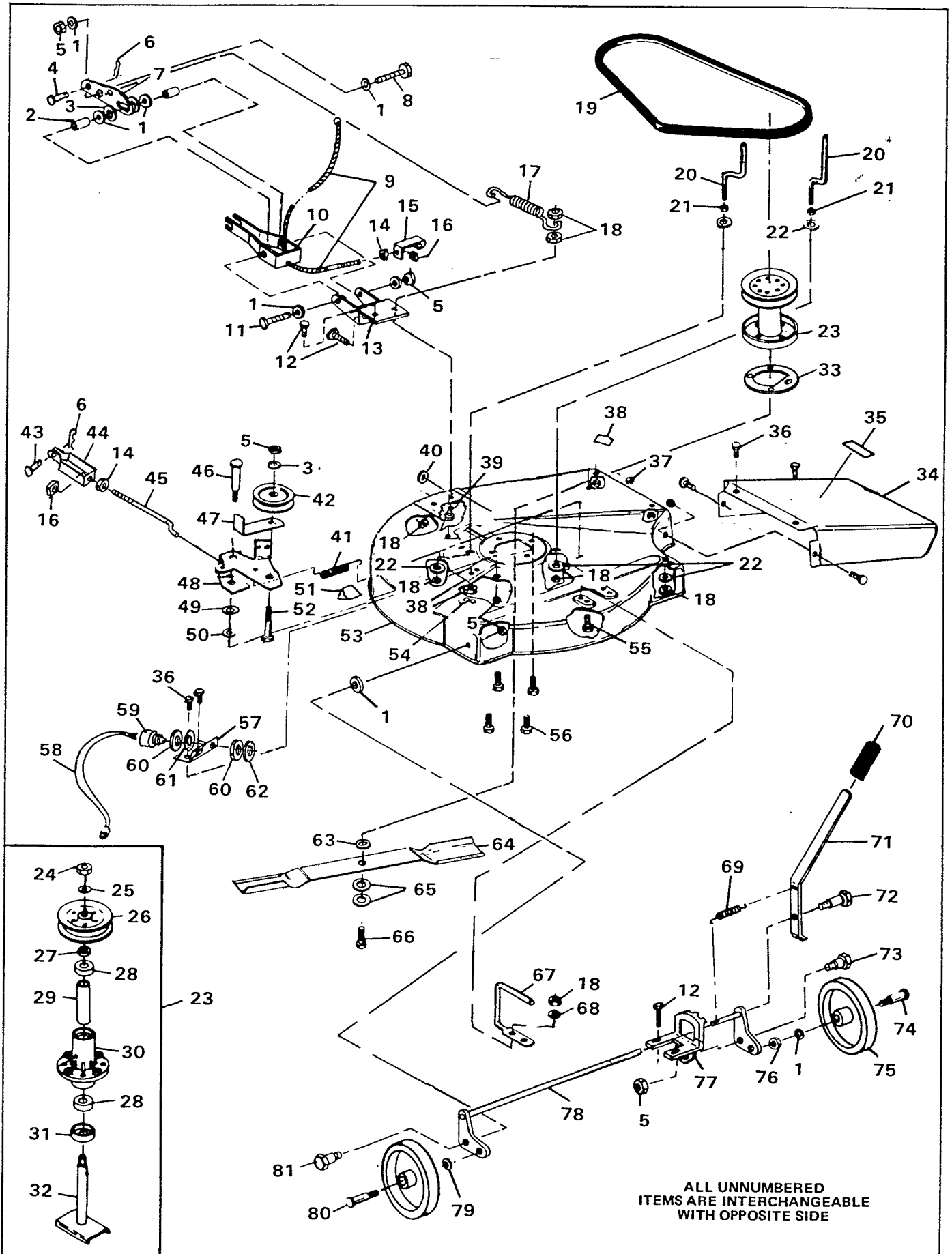
26" RIDING MOWER MODELS 3594-12, 3594-13, & 3594-15

Key No.	Part No.	Description
1	995346	*Screw, Taptite, 1/4-20 x 1/2 In.
2	300967	Bracket, Shift Lever
3	55514	Knob, Shift lever
4	300594	Support, Seat/Shift Lever
5	9413447	Locknut, 5/16-18 Thd.
6	120834	*Screw, Hex Hd, 5/16-18 x 1/2 In.
7	50520	Spacer
8	122017	*Screw, Hex Hd, 5/16-18 x 1 In.
9	57689	Seat
10	300604	Seat Plate
11	48901	Screw, Hex Hd, 5/16-18 x 5/8 In.
12	120393	*Flatwasher, 11/32 In.
13	120638	*Lockwasher, Split, 5/16 In.
14	122007	*Screw, Hex Hd, 5/16-18 x 3/4 In.
15	39486	Knob, Throttle Control
16	35287	Screw, Taptite, No. 8-32 x 3/8 In.
17	9414106	*Flatwasher, 3/16 In.
18	180117	*Screw, Hex Hd, 3/8-16 x 9/16 In.
19	20507	Shoulder Bolt
20	301330	Bracket, Seat
21	300598	Support, Seat
22	9413534	Locknut, 3/8-16 Thd.
23	301142	Throttle Control
24	301728	Decal, Shift Control (3594-12)
24	301772	Decal, Shift Control

Key No.	Part No.	Description
25	300600	(3594-13 & 3594-15) Fender, R.H.
26	41482	Press Clip
27	300220	Switch
28	301133	Spring, Shift Lever
29	120396	*Flatwasher, 17/32 In.
30	137185	Cotter Pin
31	120394	*Flatwasher, 13/32 In.
32	300939	Support, shift Lever
33	300582	Rod, Shift Connecting
34	300585	Shift Lever, Transaxle
35	57157	Washer, Special
36	56255	Screw, Hex Hd, 1/4-28 x 3/4 In.
37	300590	Shift Lever
38	301722	Decal, Shift Pattern
39	300601	Fender, L.H.
40	300626	Key, Ignition Switch
41	48140	Nut (Ignition Switch Part)
42	138557	Lockwasher (Ignition Switch Part)
43	46376	Switch, Ignition
44	301512	Wire Harness Assembly
45	55474	Control Module
46	70595	Decal, Caution (3594-12)
46	302010	Decal, Caution (3594-15)

(*) Standard Hardware Items - May Be Purchased Locally.

26" RIDING MOWER MODELS 3594-12, 3594-13, & 3594-15



26" RIDING MOWER MODELS 3594-12, 3594-13, & 3594-15

Key No.	Part No.	Description	Key No.	Part No.	Description
1	120394	*Flatwasher, 3/8 In.	42	45074	Pulley, Idler
2	44848	Spacer	43	39522	Pin, Clevis
3	996416	*Flatwasher, 25/64 In.	44	300705	Clevis
4	47816	Pull Pin	45	301235	Adjustment Arm
5	9413534	Locknut, 3/8-16 Thd.	46	301620	Shoulder Bolt
6	56180	Hairpin Cotter	47	39659	Belt Retainer
7	301321	Hitch Bar	48	301634	Arm Assembly, Idler
8	56739	Screw, Hex Hd, 3/8-16 x 1-1/4 In.	49	301619	Flatwasher, 13/32 In.
9	55689	Lift Cable Assembly	50	845	Flatwasher, 25/64 In.
10	45537	Bracket, Pivot	51	68542	Decal, Danger (3594-12)
11	122201	*Screw, Hex Hd, 3/8-16 x 2-3/4 In.	51	68746	Decal, Danger (3594-15)
12	120228	*Screw, Hex Hd, 5/16-18 x 5/8 In.	52	122168	*Screw, Hex Hd, 3/8-16 x 1-3/4 In.
13	45542	Bracket, Deck Front	53	43926	Mower Deck
14	271172	*Nut, Keps, 1/4-20 Thd.	54	41482	Wire Clip, Press
15	45533	Bracket, Cable	55	122017	*Screw, Hex Hd, 5/16-18 x 1 In.
16	120372	*Nut, Square, 1/4020 Thd.	56	50634	Screw, Tapite, 5/16-18 x 7/8 In.
17	301464	Spring	57	55622	Bracket, Safety Switch
18	9413447	Locknut, Hex, 5/16-18 Thd.	58	43038	Wire Assembly, Safety Switch
19	300749	V-Belt A41	59	41204	Switch
20	55481	Belt Guide	60	45877	Nut
21	271184	*Nut, Keps, 5/16-18 Thd.	61	45878	Washer
22	56282	Quill Assembly (Incl. Nos. 24-32)	62	56635	Nut
23	446363	*Flatwasher, 3/8 In.	63	35336	Flatwasher, 25/64 In.
24	51445	Locknut, Wide Flange, 7/16-20 Thd.	64	55476	Blade, 26 In.
25	56365	Washer	65	2483	Spring Washer
26	56390	Pulley	66	39573	Screw, Hex Hd, 3/8-24 x 1 In.
27	56280	Spacer	67	55478	Guide Rear
28	49562	Bearing	68	45602	Flatwasher
29	50818	Spacer, Tube	69	42694	Spring
30	55547	Quill Housing	70	20250	Grip
31	50616	Dust Shield	71	301479	Lever, Height Adjust
32	56623	Saddle & Shaft Assembly	72	39119	Shoulder Bolt
33	300751	Spacer, Quill	73	45434	Shoulder Bolt
34	43950	Chute Deflector	74	23763	Shoulder Bolt
35	70594	Decal, Caution (3594-12)	75	52584	Wheel
35	70563	Decal, Caution (3594-15)	76	271190	*Nut, Keps, 3/8-16 Thd.
36	120706	*Screw, Hex Hd, 1/4-20 x 1/2 In.	77	45540	Quadrant, Height Adjust
37	9424215	Locknut, Hex, 1/4-20 Thd.	78	45539	Tube Assembly, Height Adjust
38	301734	Decal, Height Adjust	79	120382	*Lockwasher, Split, 3/8 In.
39	122027	*Screw, Hex Hd, 5/16-18 x 1-1/4 In.	80	45406	Shoulder Bolt
40	120638	*Lockwasher, Split, 25/64 In.	81	29194	Shoulder Bolt
41	35410	Spring, Brake			

(*) Standard Hardware Items - May Be Purchased Locally

Klipperbord kpl. ~~832 135 624~~
309 E23

832 307153 Omme Klak

832 135 624 wit 20th