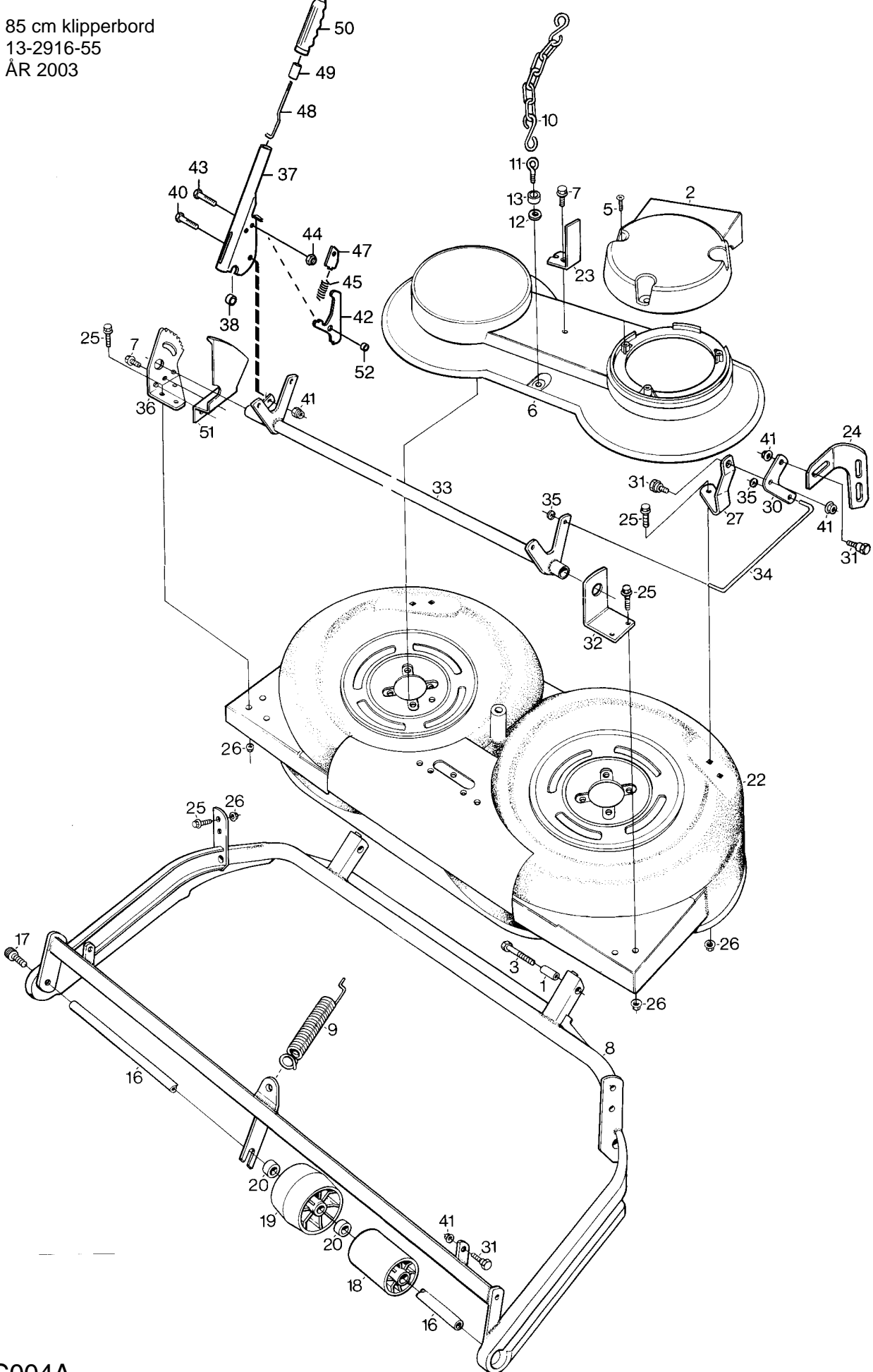


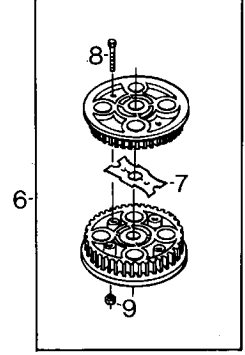
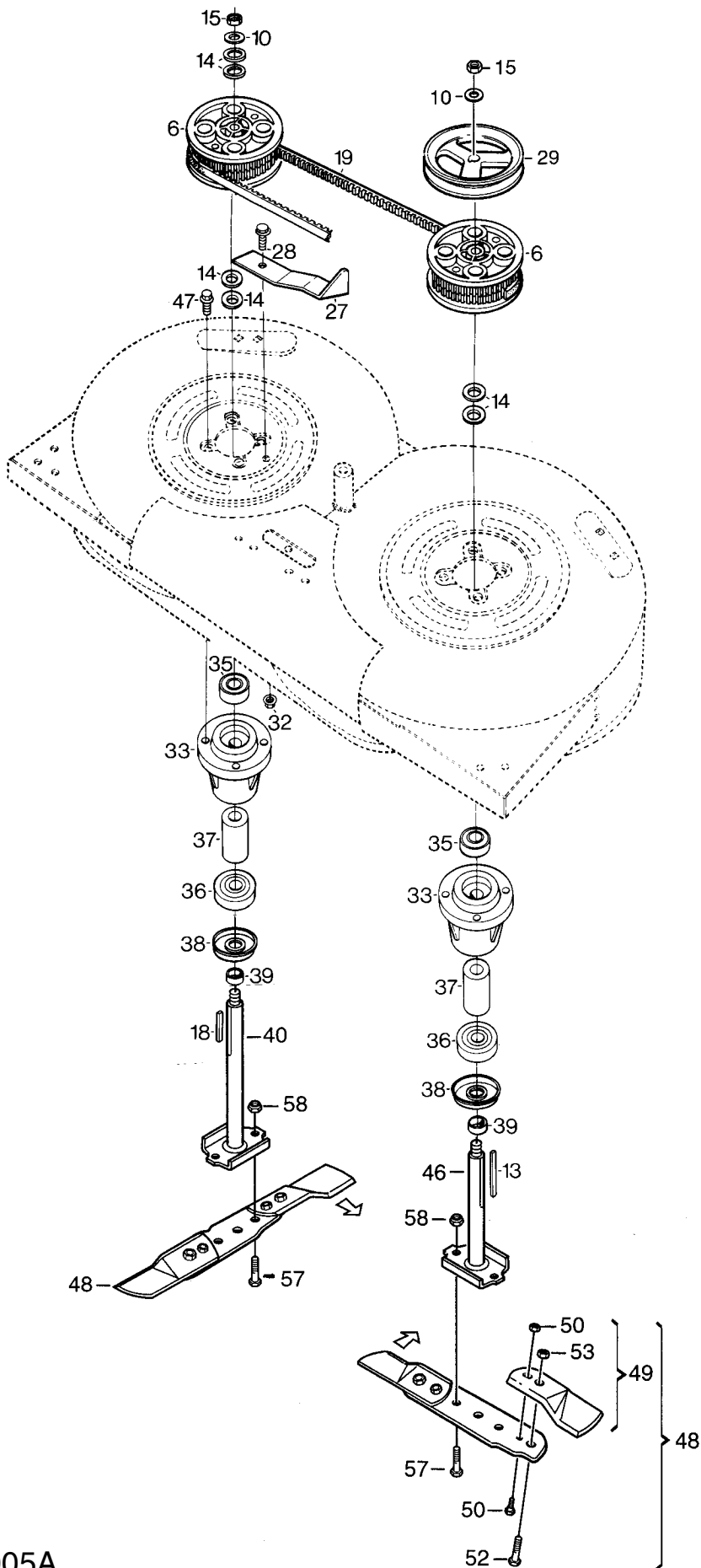
85 cm klipperbord  
13-2916-55  
ÅR 2003





|                            |                                |  |                                     |                     |
|----------------------------|--------------------------------|--|-------------------------------------|---------------------|
| Ausgabe<br>Issue<br>2003-3 | Bild Nr<br>Picture No<br>C004A | MÄHWERK 85M<br>RAHMEN<br>REGULIERUNGEN | FRONT DECK 85M<br>FRAME<br>CONTROLS | Seite<br>Page<br>60 |
|----------------------------|--------------------------------|--|-------------------------------------|---------------------|

| Pos.<br>Fig. | Anzahl/Quantity |             |             | Artikel Nr.<br>Part No | Bezeichnung               | Description                 | Satz<br>Kit | Anmerkung<br>Notes   |
|--------------|-----------------|-------------|-------------|------------------------|---------------------------|-----------------------------|-------------|----------------------|
|              | Texas           | 2916<br>-55 | 2916<br>-85 |                        |                           |                             |             |                      |
| 1            | 2               | 2           |             | 1134-3031-01           | Distanz.....              | Spacer.....                 |             |                      |
| 2            | 1               | 1           |             | 1134-3038-01           | Riemenschutz.....         | Belt guard.....             |             |                      |
| 3            | 2               | 2           |             | 9997-1055-12           | Schraube.....             | Screw.....                  |             |                      |
| 5            | 3               | 3           |             | 9836-9512-12           | Schraube.....             | Screw.....                  |             |                      |
| 6            | 1               | 1           |             | 1134-3037-01           | Deckel.....               | Transmission cover.....     |             |                      |
| 7            | 2               | 2           |             | 9945-0816-16           | Schraube.....             | Screw.....                  |             |                      |
| 8            | 1               | 1           |             | 1134-3017-02           | Rahmen- schw.....         | Frame- black.....           |             |                      |
| 9            | 1               | 1           |             | 1134-3042-01           | Feder.....                | Spring.....                 |             |                      |
| 10           | 1               | 1           |             | 1134-1605-02           | Kette.....                | Chain.....                  |             |                      |
| 11           | 1               | 1           |             | 1134-1889-01           | Schrauböse.....           | Eyebolt.....                |             |                      |
| 12           | 1               | 1           |             | 9699-0100-02           | Scheibe.....              | Washer.....                 |             |                      |
| 13           | 1               | 1           |             | 1134-3033-01           | Schutzschlauch.....       | Hose.....                   |             |                      |
| 16           | 1               | 1           |             | 1134-0304-05           | Welle.....                | Shaft.....                  |             |                      |
| 17           | 2               | 2           |             | 9935-1020-16           | Schraube.....             | Screw.....                  |             |                      |
| 18           | 8               | 8           |             | 1134-2406-01           | Schutzrolle.....          | Guard roller.....           |             |                      |
| 19           | 2               | 2           |             | 1134-2405-01           | Haubenrad.....            | Casing wheel.....           |             |                      |
| 20           | 4               | 4           |             | 1134-3047-01           | Distanz.....              | Spacer.....                 |             |                      |
| 20A          | 2               | 2           |             | 9699-0104-02           | Scheibe.....              | Washer.....                 |             | Shims- not ill.      |
| 22           | 1               |             |             | 1134-3025-01           | Chassie- gelb.....        | Casing- yellow.....         |             |                      |
| 22           |                 | 1           |             | 1134-3025-03           | Chassie- rot.....         | Casing- red.....            |             |                      |
| 23           | 1               | 1           |             | 1134-3029-01           | Anschlag.....             | Stop bracket.....           |             |                      |
| 24           | 1               | 1           |             | 1134-3015-02           | Justierstrebe- L.....     | Adjusting bracket- L.H..... |             |                      |
| 24A          | 1               | 1           |             | 1134-3015-01           | Justierstrebe- R.....     | Adjusting bracket- R.H..... |             | Not ill.             |
| 25           | 13              | 13          |             | 9959-0820-16           | Schraube.....             | Screw.....                  |             |                      |
| 26           | 13              | 13          |             | 9739-0831-22           | Mutter.....               | Nut.....                    |             |                      |
| 27           | 1               | 1           |             | 1134-5056-02           | Halterung- L.....         | Bracket- L.H.....           |             |                      |
| 27A          | 1               | 1           |             | 1134-5056-01           | Halterung- R.....         | Bracket- R.H.....           |             | Not ill.             |
| 30           | 2               | 2           |             | 1134-2907-03           | Schwenkplatte.....        | Pivoting plate.....         |             |                      |
| 31           | 6               | 6           |             | 1134-0240-00           | Ansatzbolzen.....         | Shoulder screw.....         |             |                      |
| 32           | 1               | 1           |             | 1134-2411-01           | Halterung.....            | Bracket.....                |             |                      |
| 33           | 1               | 1           |             | 1134-3013-01           | Achse.....                | Shaft.....                  |             |                      |
| 34           | 2               | 2           |             | 1134-1833-02           | Strebe.....               | Rod.....                    |             |                      |
| 35           | 4               | 4           |             | 9675-0012-02           | Verriegelungsscheibe..... | Locking washer.....         |             |                      |
| 36           | 1               | 1           |             | 1134-3011-01           | Höhenverstellsegment..... | Height adj. quadrant.....   |             |                      |
| X 37         | 1               | 1           |             | 1134-5215-01           | Höheneinst.hebel Kpl..... | Height adj.lever assy.....  |             | Pos. 42- 50,52 incl. |
| 38           | 1               | 1           |             | 1134-2427-01           | Distanz.....              | Spacer.....                 |             |                      |
| 40           | 1               | 1           |             | 9997-0825-16           | Schraube.....             | Screw.....                  |             |                      |
| 41           | 7               | 7           |             | 9747-0831-02           | Mutter.....               | Lock nut.....               |             |                      |
| X 42         | 1               | 1           |             | 1134-3010-02           | • Schloßsegment.....      | • Locking quadrant.....     |             |                      |
| 43           | 1               | 1           |             | 9997-0620-16           | • Schraube.....           | • Screw.....                |             |                      |
| 44           | 1               | 1           |             | 9747-0631-02           | • Mutter.....             | • Lock nut.....             |             |                      |
| 45           | 1               | 1           |             | 1134-3262-01           | • Druckfeder.....         | • Compression spring.....   |             |                      |
| 47           | 1               | 1           |             | 1134-3009-01           | • Schloßkeil.....         | • Locking key.....          |             |                      |
| 48           | 1               | 1           |             | 1134-3041-01           | • Regulierstange.....     | • Control rod.....          |             |                      |
| 49           | 1               | 1           |             | 1134-3051-01           | • Sperrknopf.....         | • Locking knob.....         |             |                      |
| 50           | 1               | 1           |             | 9406-0006-00           | • Griff.....              | • Handle.....               |             |                      |
| 51           | 1               | 1           |             | 1134-3026-02           | Höheneinstellsegment..... | Height measure plate.....   |             |                      |
| X 52         | 1               | 1           |             | 1134-5114-01           | • Distanz.....            | • Spacer.....               |             |                      |
| 99           | 1               | 1           |             | 9402-3203-00           | Aufkleber m.Symbolen..... | Warn. label w.Symbols.....  |             | Not ill.             |



C005A



| Ausgabe<br>Issue<br>2003- 3 |                 | Bild Nr<br>Picture No<br>C005A |             | MÄHWERK 85M<br>MESSER  |                           | FRONT DECK 85M<br>BLADES  |             | Seite<br>Page<br>62 |  |
|-----------------------------|-----------------|--------------------------------|-------------|------------------------|---------------------------|---------------------------|-------------|---------------------|--|
| Pos.<br>Fig.                | Anzahl/Quantity |                                |             | Artikel Nr.<br>Part No | Bezeichnung               | Description               | Satz<br>Kit | Anmerkung<br>Notes  |  |
|                             | Texas           | 2916<br>-55                    | 2916<br>-85 |                        |                           |                           |             |                     |  |
| 6                           | 2               | 2                              |             | 1134-3679-01           | Riemenscheibe kompl ..... | Toothed belt pulley ..... |             |                     |  |
| 7                           | 1               | 1                              |             | 1134-3597-01           | • Verstärkerung .....     | • Reinforcement .....     |             |                     |  |
| 8                           | 2               | 2                              |             | 9997-0625-16           | • Schraube .....          | • Screw .....             |             |                     |  |
| 9                           | 2               | 2                              |             | 9747-0631-02           | • Mutter .....            | • Lock nut .....          |             |                     |  |
| 10                          | 2               | 2                              |             | 1134-5236-01           | Scheibe .....             | Washer .....              |             |                     |  |
| 13                          | 1               | 1                              |             | 1134-0323-02           | Keil .....                | Key .....                 |             | L = 54 mm           |  |
| 14                          | 6               | 6                              |             | 9699-0104-02           | Scheibe .....             | Washer .....              |             |                     |  |
| 15                          | 2               | 2                              |             | 1134-4775-01           | Schloßmutter .....        | Lock nut .....            |             |                     |  |
| 18                          | 1               | 1                              |             | 1134-0323-01           | Keil .....                | Key .....                 |             | L = 25 mm           |  |
| 19                          | 1               | 1                              |             | 9585-0071-00           | Zahnriemen .....          | Toothed belt .....        |             |                     |  |
| 27                          | 1               | 1                              |             | 1134-3014-01           | Riemenspanner .....       | Belt tensioner .....      |             |                     |  |
| 28                          | 1               | 1                              |             | 9959-0820-16           | Schraube .....            | Screw .....               |             |                     |  |
| 29                          | 1               | 1                              |             | 1134-3035-01           | Riemenscheibe .....       | Belt pulley .....         |             |                     |  |
| 32                          | 1               | 1                              |             | 9739-0831-22           | Mutter .....              | Nut .....                 |             |                     |  |
| 33                          | 2               | 2                              |             | 1134-3841-01           | Lagerbuchse Kpl. ....     | Bearing box assy .....    |             |                     |  |
| 35                          | 1               | 1                              |             | 9549-0019-00           | • Kugellager .....        | • Ball bearing .....      |             |                     |  |
| 36                          | 1               | 1                              |             | 9549-0020-00           | • Kugellager .....        | • Ball bearing .....      |             |                     |  |
| 37                          | 1               | 1                              |             | 1134-0051-05           | • Distanz .....           | • Spacer .....            |             |                     |  |
| 38                          | 2               | 2                              |             | 1134-3768-01           | Schutzscheibe .....       | Bearing cover .....       |             |                     |  |
| 39                          | 2               | 2                              |             | 1134-3725-01           | Distanz .....             | Spacer .....              |             |                     |  |
| 40                          | 1               | 1                              |             | 1134-4600-01           | Messerwelle .....         | Blade shaft .....         |             |                     |  |
| 46                          | 1               | 1                              |             | 1134-4600-02           | Messerwelle .....         | Blade shaft .....         |             |                     |  |
| 47                          | 8               | 8                              |             | 9945-0825-16           | Schraube .....            | Screw .....               |             |                     |  |
| 48                          | 2               | 2                              |             | 1134-5074-01           | Messerbalken Kpl. ....    | Blade bar assy .....      |             |                     |  |
| 49                          | 1               | 1                              |             | 1134-9082-01           | • Messersatz Kpl. ....    | • Blade kit .....         |             | 2 blade tips        |  |
| 50                          | 1               | 1                              |             | 1134-9054-01           | •• Scherbolzensatz .....  | •• Shear bolt kit .....   |             | 6 bolts+nuts        |  |
| 52                          | 2               | 2                              |             | 9997-0816-16           | •• Schraube .....         | •• Screw .....            |             |                     |  |
| 53                          | 2               | 2                              |             | 9712-0831-02           | •• Mutter .....           | •• Lock nut .....         |             |                     |  |
| 57                          | 4               | 4                              |             | 9997-0820-16           | Schraube .....            | Screw .....               |             |                     |  |
| 58                          | 4               | 4                              |             | 9747-0831-02           | Mutter .....              | Lock nut .....            |             |                     |  |

X

X