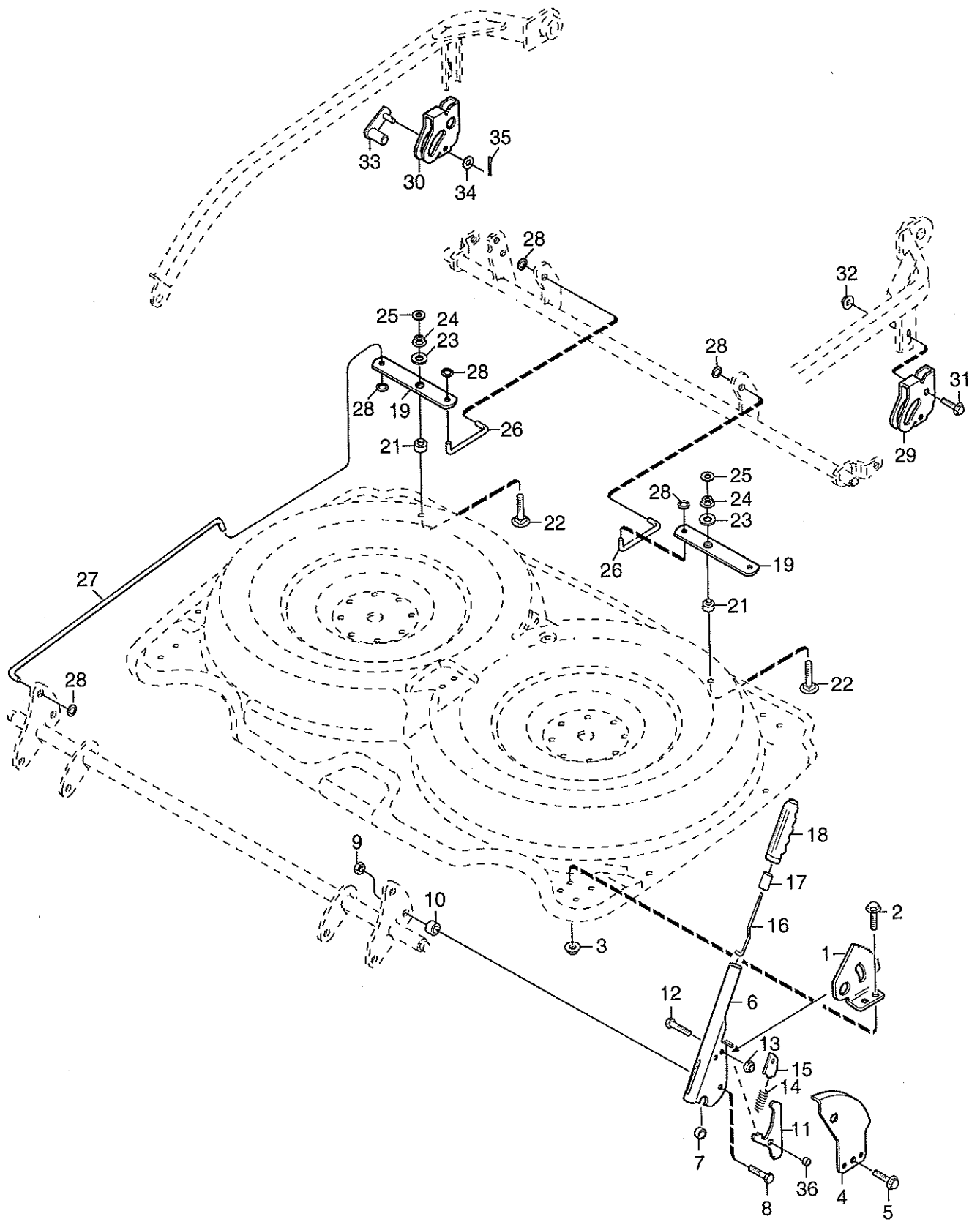




| Ausgabe Issue 2005-3 | | Bild Nr Picture No C063 | | FRONTMÄHWERK 107 MULCHING RAHMEN | | FRONT DECK 107 MULCHING FRAME | | Seite Page 62 | |
|----------------------------|--------------------|-------------------------------|--|--|---------------------------|-------------------------------------|-------------|---------------------|--|
| Pos. Fig. | Anzahl/Quantity | | | Artikel Nr. Part No | Bezeichnung | Description | Satz Kit | Anmerkung Notes | |
| | 2930 -38 -88 | | | | | | | | |
| 1 | 1 | | | 1134-5187-05 | Haube- rot..... | Casing- red..... | | | |
| 2 | 2 | | | 1134-4323-01 | Leitblech..... | Guide plate..... | | | |
| 3 | 4 | | | 9897-0616-16 | Schraube..... | Carriage bolt..... | | | |
| 4 | 4 | | | 9739-0631-22 | Mutter..... | Nut..... | | | |
| 5 | 1 | | | 1134-4320-06 | Hebeblech..... | Lift bracket..... | | | |
| 6 | 1 | | | 9959-0820-16 | Schraube..... | Screw..... | | | |
| 7 | 1 | | | 9739-0831-22 | Mutter..... | Nut..... | | | |
| 10 | 1 | | | 1134-4905-01 | Leitschiene..... | Guide bar..... | | | |
| 11 | 2 | | | 9838-9530-12 | Schraube..... | Screw..... | | | |
| 12 | 1 | | | 1134-4890-06 | Vorderachse- schw..... | Front axle- black..... | | | |
| 13 | 2 | | | 1134-0068-00 | Lager..... | Bearing..... | | | |
| 14 | 1 | | | 1134-4292-01 | Lagerhalterung..... | Bearing holder..... | | | |
| 15 | 1 | | | 1134-4292-02 | Lagerhalterung..... | Bearing holder..... | | | |
| 16 | 4 | | | 9959-0816-16 | Schraube..... | Screw..... | | | |
| 17 | 4 | | | 9739-0831-22 | Mutter..... | Nut..... | | | |
| 18 | 2 | | | 1134-4284-01 | Rad..... | Wheel..... | | | |
| 19 | 4 | | | 1134-4319-01 | Lager..... | Bearing..... | | | |
| 20 | 2 | | | 1134-4318-01 | Radachse..... | Wheel axle..... | | | |
| 21 | 2 | | | 9997-0812-02 | Schraube..... | Screw..... | | | |
| 22 | 2 | | | 9739-0831-22 | Mutter..... | Nut..... | | | |
| X 23 | 1 | | | 1134-5892-07 | Hinterachse..... | Rear axle..... | | | |
| 24 | 2 | | | 1134-0068-00 | Lager..... | Bearing..... | | | |
| 25 | 2 | | | 1134-4689-01 | Stütz..... | Support..... | | | |
| 26 | 2 | | | 9959-0616-16 | Schraube..... | Screw..... | | | |
| 27 | 2 | | | 9747-0631-02 | Mutter..... | Lock nut..... | | | |
| 28 | 1 | | | 1134-4299-01 | Radhalterung- links..... | Wheel attachment- L.H..... | | | |
| 29 | 1 | | | 1134-4299-02 | Radhalterung- rechts..... | Wheel attachment- R.H..... | | | |
| 30 | 4 | | | 9959-0816-16 | Schraube..... | Screw..... | | | |
| 31 | 4 | | | 9739-0831-22 | Mutter..... | Nut..... | | | |
| 32 | 2 | | | 1134-3434-01 | Schutzrolle..... | Roller..... | | | |
| 33 | 2 | | | 1134-0041-05 | Hülse..... | Bushing..... | | | |
| X 35 | 2 | | | 9897-1060-12 | Schraube..... | Screw..... | | | |
| 36 | 2 | | | 9739-1031-22 | Mutter..... | Nut..... | | | |
| 37 | 1 | | | 1134-4544-03 | Mähwerkarm- links..... | Mower deck arm- LH..... | | | |
| 38 | 1 | | | 1134-4544-04 | Mähwerkarm- rechts..... | Mower deck arm- RH..... | | | |
| 39 | 2 | | | 9997-1016-16 | Schraube..... | Screw..... | | | |
| 40 | 2 | | | 9699-0030-02 | Scheibe..... | Flat washer..... | | 10 x 26 x 2.0 | |
| 41 | 2 | | | 9699-0104-02 | Scheibe..... | Washer..... | | 17 x 30 x 3.0 | |
| 42 | 1 | | | 1134-4688-02 | Hebefeder Kpl..... | Lift spring assy..... | | Pos 43 - 49 incl. | |
| 43 | 1 | | | 1134-4574-01 | • Feder Kpl..... | • Spring assy..... | | | |
| 44 | 1 | | | 1134-4577-01 | • Halter..... | • Spring pivot..... | | | |
| 45 | 1 | | | 9997-0825-16 | • Schraube..... | • Screw..... | | | |
| 46 | 1 | | | 9747-0831-02 | • Mutter..... | • Lock nut..... | | | |
| 47 | 1 | | | 9997-0835-12 | • Schraube..... | • Screw..... | | | |
| 48 | 1 | | | 9747-0831-02 | • Mutter..... | • Lock nut..... | | | |
| 49 | 2 | | | 1134-4481-01 | • Flügelmutter..... | • Wing nut..... | | | |
| 50 | 4 | | | 1134-1319-01 | Lagerbuchse..... | Bearing bush..... | | | |
| 51 | 2 | | | 9501-0502-00 | Schmiernippel..... | Grease joint..... | | | |
| 52 | 2 | | | 1134-4745-01 | Distanzscheibe..... | Spacer washer..... | | | |
| X 99 | 1 | | | 8211-3058-01 | Bedienungsanleitung..... | Owner's manual..... | | Not ill. | |
| X 99 | 1 | | | 8211-3061-01 | Bedienungsanleitung..... | Owner's manual (CA)..... | | Not ill. | |

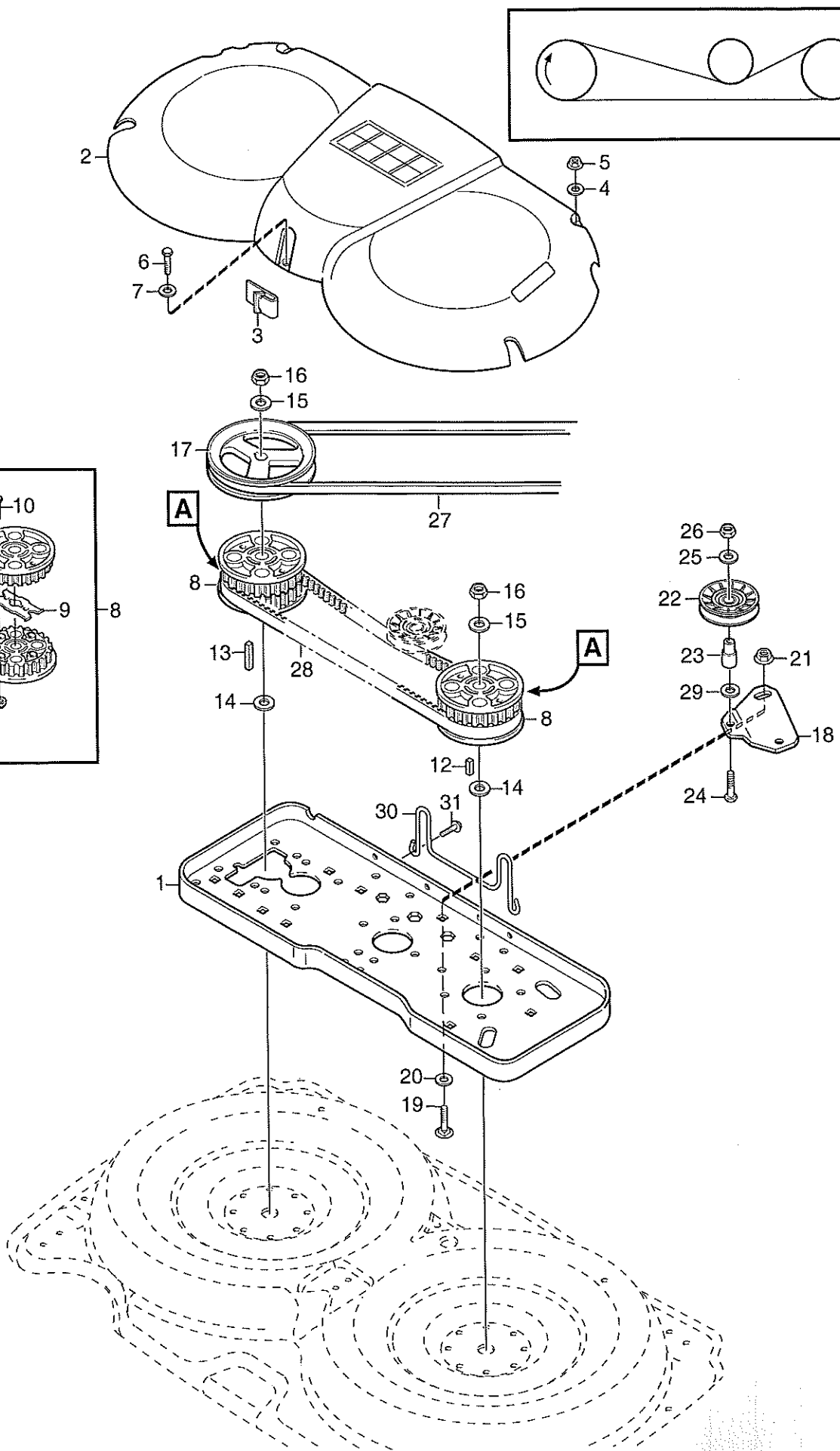
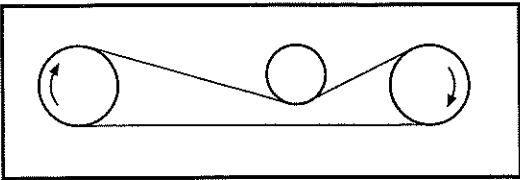
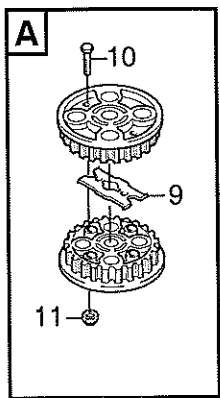


C064



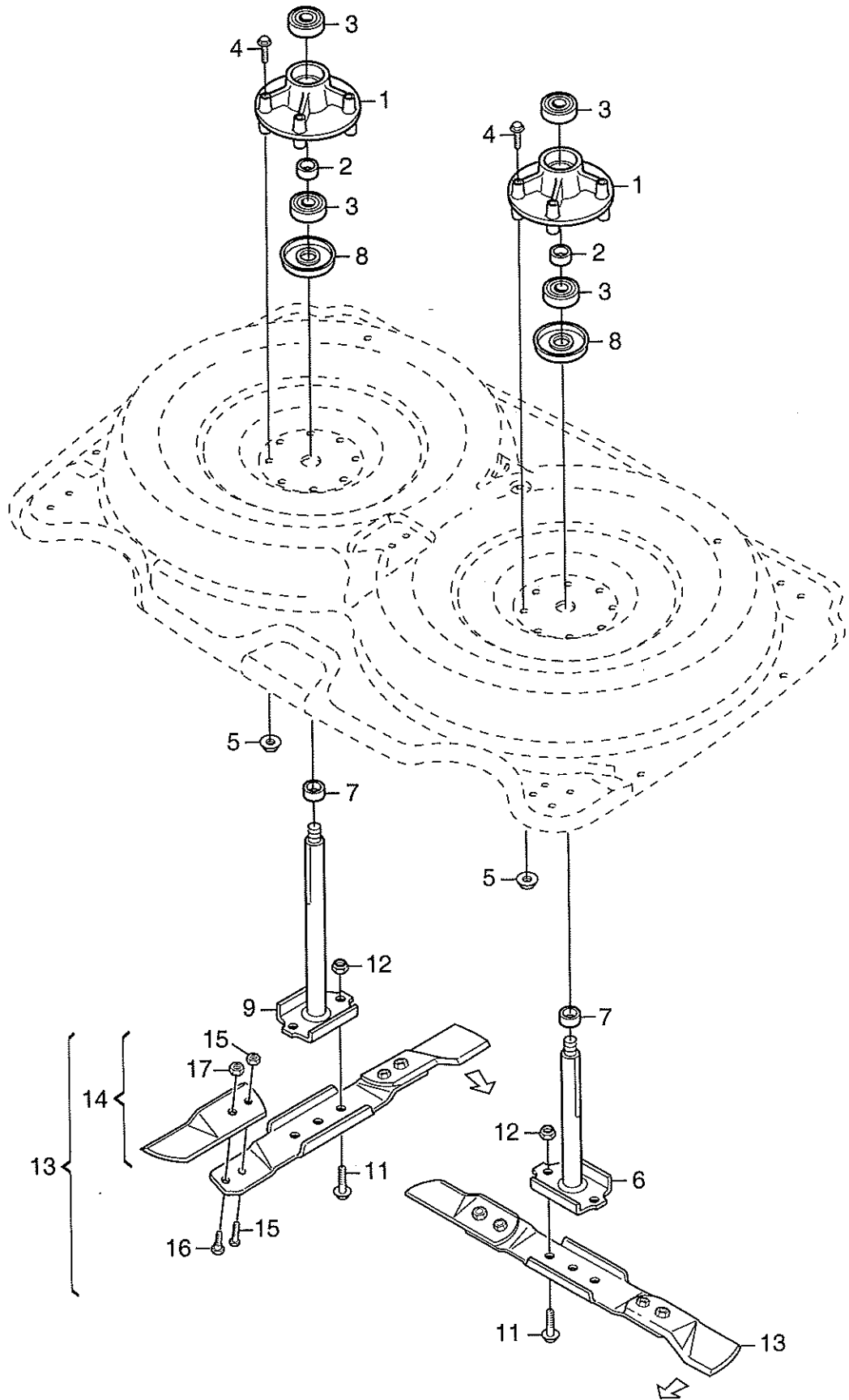
| Ausgabe Issue 2005-3 | | Bild Nr Picture No C064 | | FRONTMÄHWERK 107 MULCHING REGULIERUNG | | FRONT DECK 107 MULCHING CONTROLS | | Seite Page 64 | |
|----------------------------|--------------------|-------------------------------|--|---|----------------------------|--|-------------|-----------------------|--|
| Pos. Fig. | Anzahl/Quantity | | | Artikel Nr. Part No | Bezeichnung | Description | Satz Kit | Anmerkung Notes | |
| | 2930 -38 -88 | | | | | | | | |
| 1 | 1 | | | 1134-4290-01 | Höhenverstellsegment | Height adj. quadrant | | Pos 11 - 18, 36 incl. | |
| 2 | 2 | | | 9959-0816-16 | Schraube | Screw | | | |
| 3 | 2 | | | 9739-0831-22 | Mutter | Nut | | | |
| 4 | 1 | | | 1134-4291-03 | Höhenverstellblech | Height adjust plate | | | |
| 5 | 1 | | | 9945-0816-16 | Schraube | Screw | | | |
| 6 | 1 | | | 1134-5215-01 | Höheneinst.hebel Kpl..... | Height adj.lever assy | | | |
| 7 | 1 | | | 1134-2427-01 | Distanz..... | Spacer..... | | | |
| 8 | 1 | | | 9997-0840-16 | Schraube | Screw | | | |
| 9 | 1 | | | 9747-0831-02 | Mutter..... | Lock nut | | | |
| 10 | 1 | | | 1134-3113-03 | Distanz..... | Spacer..... | | | |
| 11 | 1 | | | 1134-3010-02 | • Schloßsegment..... | • Locking quadrant | | | |
| 12 | 1 | | | 9997-0620-16 | • Schraube | • Screw | | | |
| 13 | 1 | | | 9747-0631-02 | • Mutter | • Lock nut | | | |
| 14 | 1 | | | 1134-3262-01 | • Druckfeder | • Compression spring..... | | | |
| 15 | 1 | | | 1134-3009-01 | • Schloßkeil | • Locking key | | | |
| 16 | 1 | | | 1134-3041-01 | • Regulierstange..... | • Control rod | | | |
| 17 | 1 | | | 1134-3051-01 | • Sperrknopf..... | • Locking knob | | | |
| 18 | 1 | | | 9406-0006-00 | • Griff | • Handle..... | | | |
| 19 | 2 | | | 1134-4296-02 | Gelenkarm | Pivot arm | | | |
| 21 | 2 | | | 1134-4298-02 | Distanz..... | Spacer | | | |
| 22 | 2 | | | 9897-0850-12 | Schraube | Screw | | | |
| 23 | 2 | | | 9699-0028-02 | Scheibe..... | Flat washer | | | |
| 24 | 2 | | | 9747-0831-02 | Mutter..... | Lock nut | | | |
| 25 | 2 | | | 9699-0056-02 | Scheibe..... | Flat washer | | | |
| 26 | 2 | | | 1134-4894-04 | Druckstange | Push rod | | | |
| 27 | 2 | | | 1134-4294-02 | Druckstange | Push rod | | | |
| 28 | 8 | | | 9675-0012-02 | Verriegelungsscheibe | Locking washer | | | |
| 29 | 1 | | | 1134-4304-03 | Einstellblech- links | Adjusting plate- LH | | | |
| 30 | 1 | | | 1134-4304-04 | Einstellblech- rechts..... | Adjusting plate- RH | | | |
| 31 | 2 | | | 9959-0816-16 | Schraube | Screw | | | |
| 32 | 2 | | | 9739-0831-22 | Mutter | Nut | | | |
| 33 | 2 | | | 1134-4307-01 | Sperre | Catch | | | |
| 34 | 2 | | | 9699-0025-02 | Scheibe..... | Washer | | | |
| 35 | 2 | | | 9599-0054-02 | Splint | Cotter pin | | | |
| 36 | 1 | | | 1134-5114-01 | • Distanz..... | • Spacer..... | | | |

X





| Ausgabe Issue 2005-3 | | Bild Nr Picture No C065 | | FRONTMÄHWERK 107 MULCHING TRANSMISSION | | FRONT DECK 107 MULCHING TRANSMISSION | | Seite Page 66 | |
|----------------------------|--------------------|-------------------------------|--|--|--------------------------|--|-------------|---------------------|--|
| Pos. Fig. | Anzahl/Quantity | | | Artikel Nr. Part No | Bezeichnung | Description | Satz Kit | Anmerkung Notes | |
| | 2930 -38 -88 | | | | | | | | |
| 1 | 1 | | | 1134-5229-01 | Transmissionsplatte..... | Transmission plate..... | | | |
| 2 | 1 | | | 1134-4865-04 | Transmissionsdeckel..... | Transmission cover..... | | | |
| 3 | 3 | | | 1134-3632-01 | Riemenführung..... | Clips- belt guide..... | | | |
| 4 | 2 | | | 9699-0028-02 | Scheibe..... | Flat washer..... | | | |
| 5 | 2 | | | 9747-0831-02 | Mutter..... | Lock nut..... | | | |
| 6 | 1 | | | 9942-0612-16 | Schraube..... | Screw..... | | | |
| 7 | 1 | | | 9699-0060-02 | Scheibe..... | Flat washer..... | | | |
| 8 | 2 | | | 1134-3679-01 | Riemenscheibe kompl..... | Toothed belt pulley..... | | | |
| 9 | 1 | | | 1134-3597-01 | • Verstärkung..... | • Reinforcement..... | | | |
| 10 | 2 | | | 9997-0625-16 | • Schraube..... | • Screw..... | | | |
| 11 | 2 | | | 9747-0631-02 | • Mutter..... | • Lock nut..... | | | |
| 12 | 1 | | | 1134-0323-01 | Keil..... | Key..... | | L = 25 mm | |
| 13 | 1 | | | 1134-0323-04 | Keil..... | Key..... | | L = 40 mm | |
| 14 | 2 | | | 9699-0104-02 | Scheibe..... | Washer..... | | | |
| 15 | 2 | | | 9699-0121-02 | Scheibe..... | Flat washer..... | | | |
| 16 | 2 | | | 9712-1231-02 | Schloßmutter..... | Lock nut..... | | | |
| 17 | 1 | | | 1134-4732-01 | Riemenscheibe..... | Belt pulley..... | | | |
| 18 | 1 | | | 1134-4537-01 | Spannarm..... | Tension arm..... | | | |
| 19 | 2 | | | 9897-0825-16 | Schraube..... | Screw..... | | | |
| 20 | 2 | | | 9699-0036-02 | Scheibe..... | Flat washer..... | | | |
| 21 | 2 | | | 9739-0831-22 | Mutter..... | Nut..... | | | |
| 22 | 1 | | | 1134-3053-01 | Spannrolle..... | Tension roller..... | | | |
| 23 | 1 | | | 1134-4316-03 | Achse..... | Shaft..... | | | |
| 24 | 1 | | | 9997-1040-12 | Schraube..... | Screw..... | | | |
| 25 | 1 | | | 9699-0030-02 | Scheibe..... | Flat washer..... | | | |
| 26 | 1 | | | 1134-4775-01 | Schloßmutter..... | Lock nut..... | | | |
| 27 | 1 | | | 9585-0127-01 | Keilriemen..... | V- belt..... | | | |
| 28 | 1 | | | 9585-0133-01 | Zahnriemen..... | Toothed belt..... | | | |
| 29 | 1 | | | 9699-0035-02 | Scheibe..... | Flat washer..... | | | |
| 30 | 1 | | | 1134-4747-01 | Riemenbügel..... | Belt guide..... | | | |
| 31 | 2 | | | 9945-0816-16 | Schraube..... | Screw..... | | | |





| Ausgabe Issue 2005-3 | | Bild Nr Picture No C066 | | FRONTMÄHWERK 107 MULCHING MESSERN | | FRONT DECK 107 MULCHING BLADES | | Seite Page 68 | |
|----------------------------|--------------------|-------------------------------|--|---|-------------------------|--------------------------------------|-------------|------------------------------|--|
| Pos. Fig. | Anzahl/Quantity | | | Artikel Nr. Part No | Bezeichnung | Description | Satz Kit | Anmerkung Notes | |
| | 2930 -38 -88 | | | | | | | | |
| 1 | 2 | | | 1134-5049-01 | Lagerbuchse Kpl..... | Bearing box assy..... | | 2 blade tips 6 bolts+nuts | |
| 2 | 1 | | | 1134-3725-04 | • Distanz..... | • Spacer..... | | | |
| 3 | 2 | | | 9549-0020-00 | • Kugellager..... | • Ball bearing..... | | | |
| 4 | 8 | | | 9997-0865-12 | Schraube..... | Screw..... | | | |
| 5 | 8 | | | 9739-0831-22 | Mutter..... | Nut..... | | | |
| 6 | 1 | | | 1134-5052-04 | Messerwelle..... | Blade shaft..... | | | |
| 7 | 2 | | | 1134-3725-04 | Distanz..... | Spacer..... | | | |
| 8 | 2 | | | 1134-5130-01 | Schutzscheibe..... | Bearing cover..... | | | |
| 9 | 1 | | | 1134-5052-03 | Messerwelle..... | Blade shaft..... | | | |
| 11 | 4 | | | 9997-0820-16 | Schraube..... | Screw..... | | | |
| 12 | 4 | | | 9747-0831-02 | Mutter..... | Lock nut..... | | | |
| 13 | 2 | | | 1134-4896-01 | Messerbalken Kpl..... | Blade bar assy..... | | | |
| 14 | 2 | | | 1134-9074-01 | • Messersatz Kpl..... | • Blade kit assy..... | | | |
| 15 | 1 | | | 1134-9054-01 | •• Scherbolzensatz..... | •• Shear bolt kit..... | | | |
| 16 | 2 | | | 1134-4479-01 | •• Ansatzbolzen..... | •• Shoulder bolt..... | | | |
| 17 | 2 | | | 9712-0831-02 | •• Mutter..... | •• Lock nut..... | | | |

X