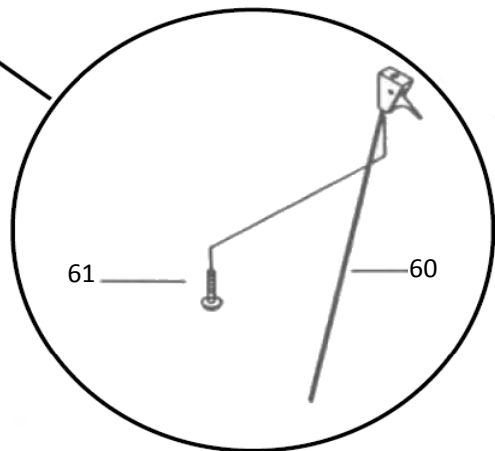
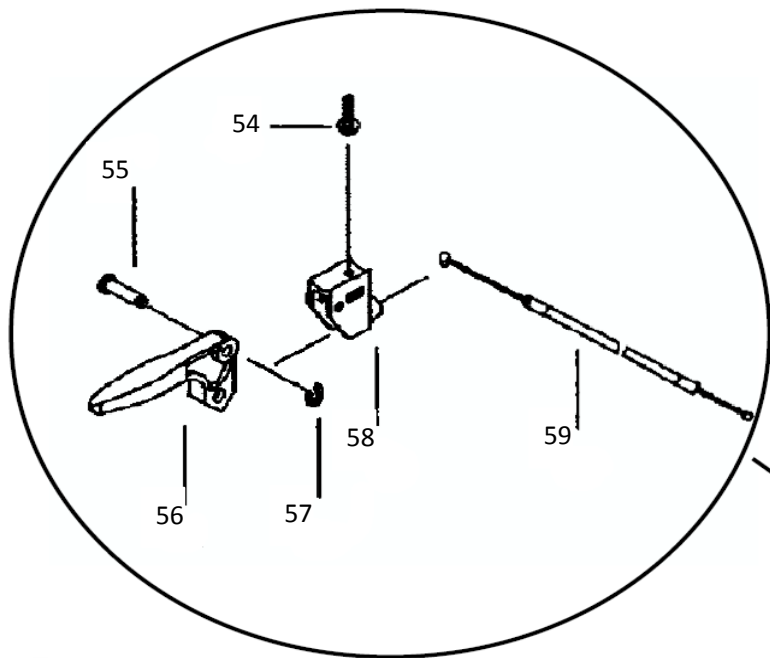


POS	QTY	PARTNUMBER	BESKRIVELSE	DESCRIPTION
1	1	90304160	STØTTEHJUL Ø 130 X 44 X 12	WHEEL Ø 130 X 44 X 12
2	1	410217	SPLIT 2.5X40	COTTER 2.5X40
3	7	90000057	SPLIT 2,5 MM.	COTTER 2,5 MM.
4	1	408645	HJULGAFFEL	WHEEL YOKE
5	1	408646	SEEGERRING	RETAINER RING
6	1	408647	BØS	BUSHING
7	1	408648	ARM	LEVER
8	4	90101143	MASKINSKRUE 8.8 5X5 FZ	MACHINE SCREW 5X5 FZ
9	2	408649	FJEDER PLADE	SPRING
10	2	408650	KROG	HOOK
11	4	91020517	VEJFEJERING 1.0 KUPPET 240MM X 2"	BRUSH 240MM X 2"
12	6	91020511	AFSTANDSRING	SPACER RING
13	8	91020515	VEJFEJERING 1.0 LIGE 240MM X 2"	BRUSH 240MM X 2"
14	2	408651	LÅSEPLADE	LOCKING LATE
15	4	401156	SKRUE MED INDV. 6-KT. CYL. M5X75	ALLEN BOLT M5X75
16	8	90101146	MASKINSKRUE MED LIGKÆRV 5X20 FZ	MACHINE SCREW 5X20 FZ
17	1	90102929	STÅLBOLT 8.8 M8	STEEL BOLT M8
18	4	90100691	LÅSEMØTRIK 8.8 M6	LOCKING NUT M6
19	1	408653	RØR MONTERING	TUBE
20	8	90102887	STÅLBOLT 8.8 M6X35 FZ	STEEL BOLT M6X35 FZ
21	4	90102309	PLANSKIVE M6X16X1,5 FZ	FACE PLATE M6X16X1,5 FZ
22	1	408654	KOBLINGSHUS	CLUTCH HOUSING
23	1	90220135	KOBLINGSSKÅL	CLUTCH PAN
24	1	1E34FC	2-TAKTS MOTOR	ENGINE
25	3	90100692	LÅSEMØTRIK 8.8 M8 FZ	LOCKING NUT M8 FZ
25A	1	425162	RØR MONTERING	
26	1	408655	BAGKONSOL	REAR BRACKET
27	1	403745	SPLITBOLT 10X60	COTTER BOLT 10X60
28	1	408656	BAGKONSOL	REAR BRACKET
29	2	414107	HJUL LILLI, TX, HOBBY500	WHEEL
30	2	90102915	STÅLBOLT 8.8 M8X40	STEEL BOLT M8X40
31	2	408657	HJULAKSEL BAG	WHEEL SHAFT
32	3	90100662	STÅLMØTRIK 8.8 M8 FZ	STEEL NUT M8 FZ
33	6	90307946	PLASTBØSNING	BUSHING
34	2	90307936	PLASTPROP FIRKANTRØR	PLUG
35	1	90220066	FIRKANTRØR GUL	TUBE
36	1	90220152	OVERSTYR	HANDELBAR UPPER
37	1	90220154	GEVINDBØSNING 5M	BUSHING 5M
38	4	90307944	PLASTHOLDER RUND	HOLDER
39	4	90307942	PLASTRONDEL FIRKANT	CONSOLE
40	3	90102310	PLANSKIVE M8 FZ	FACE PLATE M8 FZ
41	3	90307948	PLASTHÅNDHJUL M8	KNOB M8
42	2	90102934	STÅLBOLT 8.8 M8X150 FZ	STEEL BOLT M8X150 FZ
43	1	408658	GUMMIDÆMPER	RUBBER MUFFLER
44	1	408659	PEDAL	PEDAL
45	1	408660	STÅLBOLT 8.8 M8X180 FZ	STEEL BOLT M8X180 FZ
46	1	90220120	KNIVSKÆRM GUL	KNIFE GUARD

POS	QTY	PARTNUMBER	BESKRIVELSE	DESCRIPTION
47	1	408703	TRANSMISSION	TRANSMISSION
48	2	408661	BØRSTERØR	TUBE
49	1	90220108	BAGKONSOL	REAR BRACKET
50	1	90220018	SPLITBOLT 8X25	COTTER BOLT 8X25
51	2	90110100	POPNITTE 4.0X9	BLIND RIVET 4.0X9
52	1	90220124	AFSLUTNINGSSTYKKE	COVER



POS	QTY	PARTNUMBER	BESKRIVELSE	DESCRIPTION
54	1	11GB/T68	BOLT M5X20	BOLT M5X20
55	1	111E34FC8-3	SPLIT	PIN
56	1	111E34FC8-1	GASHÅNDTAG	THROTTLE HANDLE
57	1	11GB896	STOP RING 4	STOP RING 4
58	1	111E34FC8-2	HOLDER GASHÅNDTAG	HOLDER FOR THROTTLE
59	1	111E34FC81	GASKABEL MINITEX	THROTTLE CONTROL 1E34FC
60	1	90220086	GASKABEL KOMPLET	THROTTLECABLE ASSY
61	1	90101146	MASKINSKRUE M5X20	SCREW M5X20