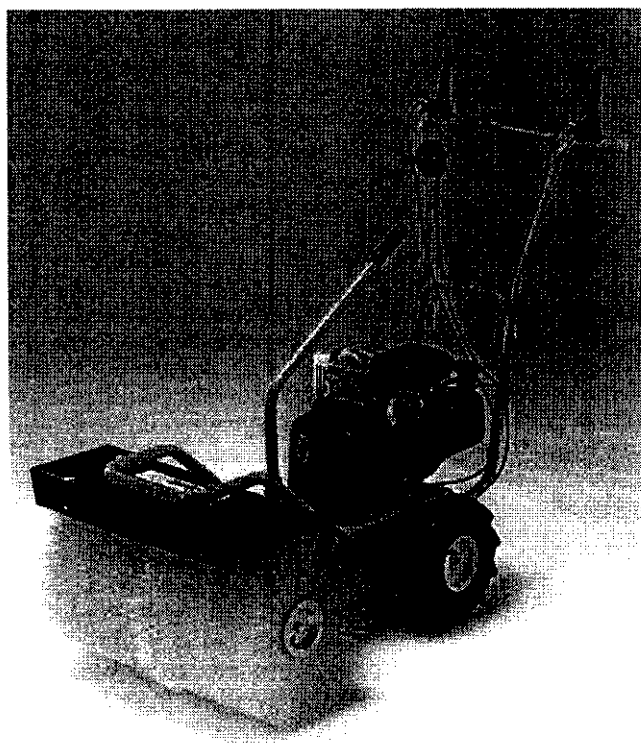


HANDY SWEEP 600

RESERVEDELSLISTE
ERSATZTEILLISTE
SPARE PARTS LIST
LISTE DE PIÉCES DÉTACHÉES

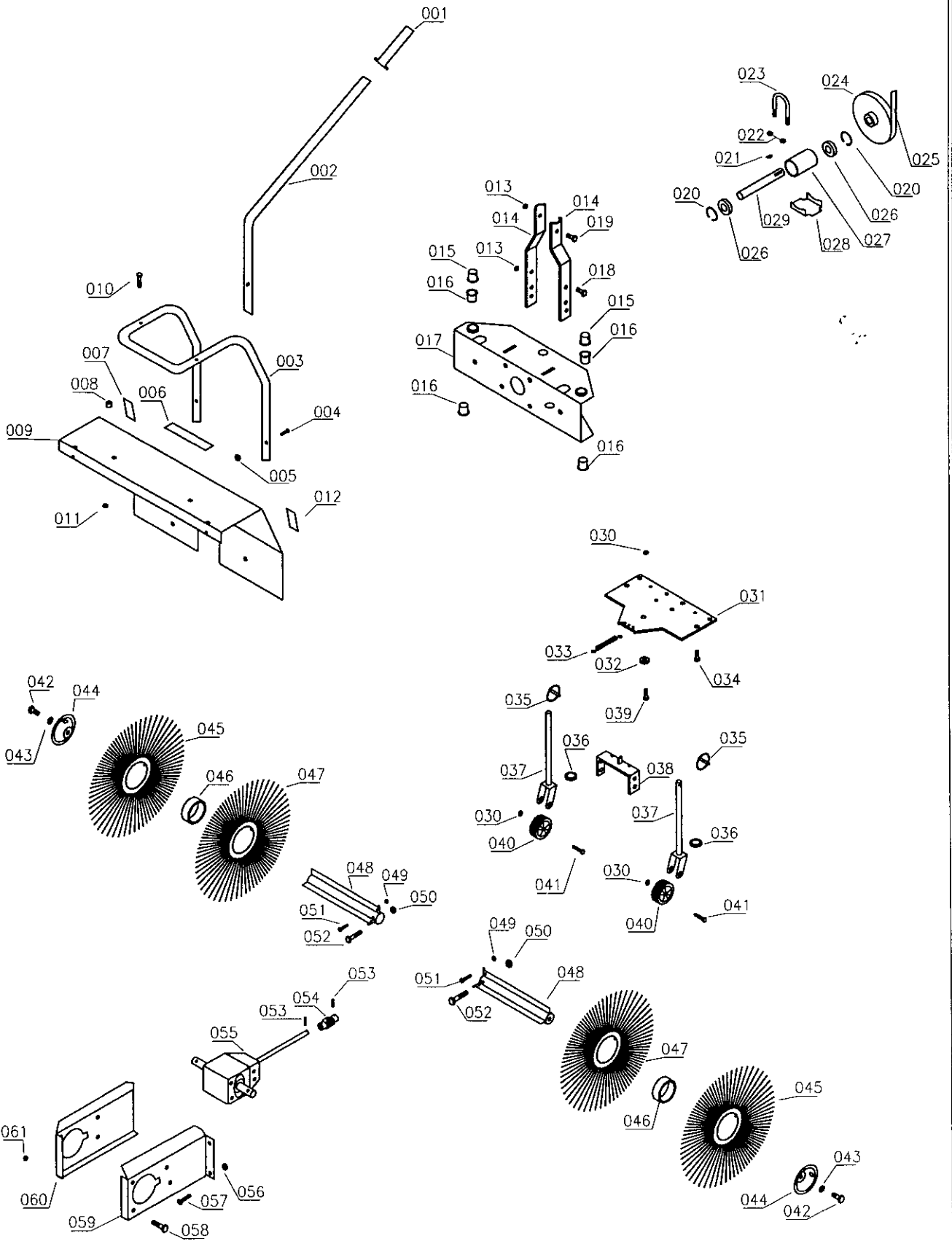


TEXAS ANDREAS PETERSEN A/S

Knullen 2 Højby 5260 Odense S Danmark

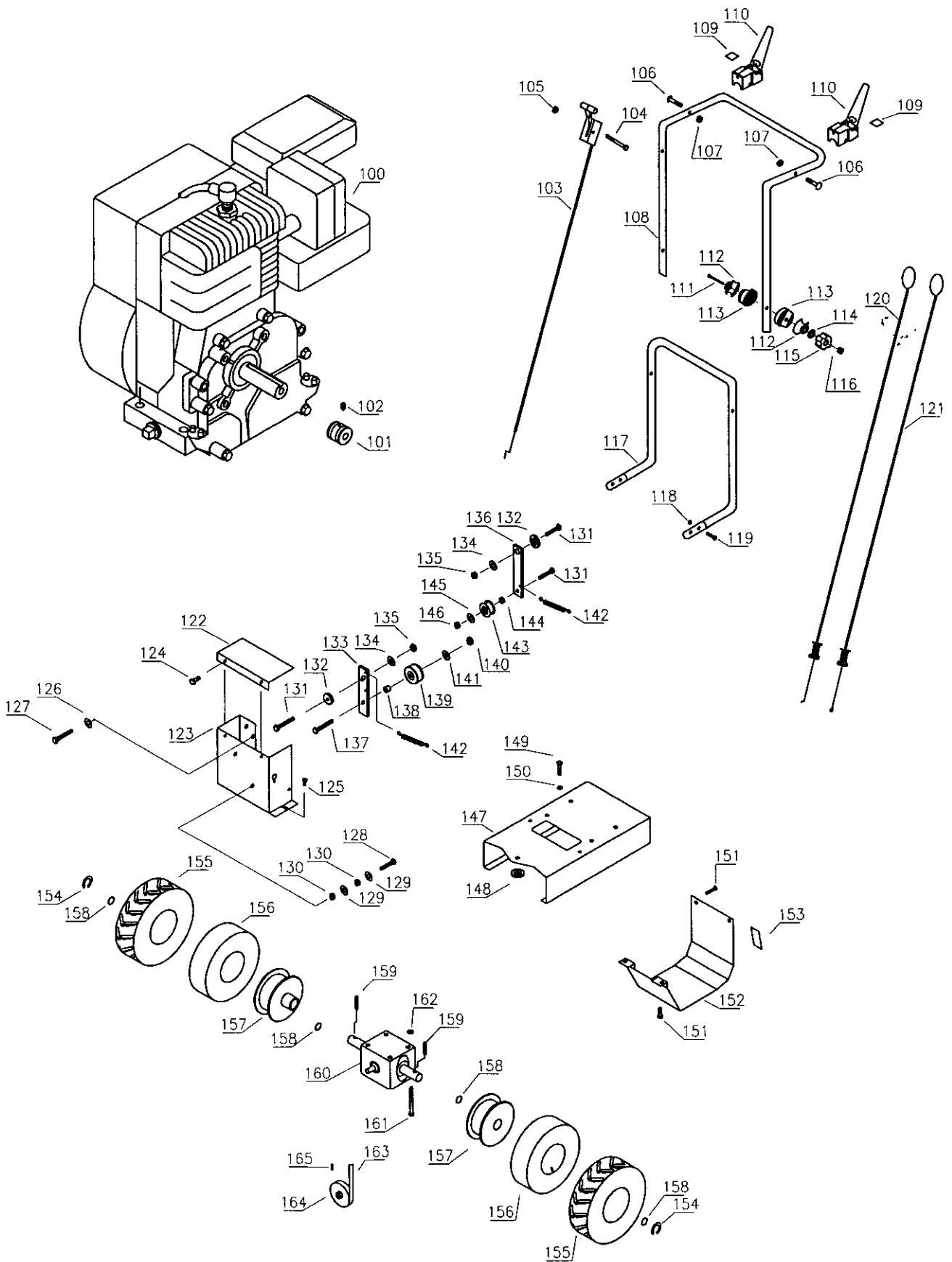
Tlf.: +45 6395 5555 - Fax: +45 6395 5558

E-mail: post@texas.dk, www.texas.dk



Handy Sweep

| Illustration A | | | | | | |
|----------------|----------|-----|-------------------|--------------------|---------------------|----------------------|
| Nr. | Best.nr. | Stk | Beskrivelse DK | Bezeichnung D | Description GB | Description F |
| 001 | 90307352 | 1 | Skumgreb | Handgriff | Grip | Poignee - Mousse |
| 002 | 90227541 | 1 | Svingrør | Drehwelle | Turntube | Console |
| 003 | 90227539 | 1 | Skærmøjle - gul | Schirmbügel - gelb | Covertube - yellow | Console - jaune |
| 003 | 90227586 | 1 | Skærmøjle - rød | Schirmbügel - rot | Covertube - red | Console - rouge |
| 004 | 90102916 | 2 | Bolt | Schraube | Screw | Vis |
| 005 | 90122180 | 2 | Møtrik | Mutter | Nut | Ecrou |
| 006 | 90628240 | 1 | Label | Label | Label | Label |
| 007 | 90628620 | 1 | Label | Label | Label | Label |
| 008 | 90227577 | 2 | Bøs | Buchse | Bushing | Entretoise |
| 009 | 90227576 | 1 | Kosteskærm | Kehrschutz | Sweeper screen | Protection - brosse |
| 010 | 90102917 | 2 | Bolt | Schraube | Screw | Vis |
| 011 | 90122180 | 2 | Møtrik | Mutter | Nut | Ecrou |
| 012 | 90628612 | 1 | Label | Label | Label | Label |
| 013 | 90100692 | 7 | Møtrik | Mutter | Nut | Ecrou |
| 014 | 90227521 | 2 | Vippe­stang | Drehhalterung | Turnbracket | Console |
| 015 | 92500103 | 2 | Plastbøsning | Plastik Buchse | Plastic bushing | Entretoise - plastic |
| 016 | 92500104 | 4 | Plastbøsning | Plastik buchse | Plastic bushing | Entretoise - plastic |
| 017 | 90227513 | 1 | Svingkonsol - gul | Drehwand - gelb | Swing.bracket-yello | Console - jaune |
| 017 | 90227583 | 1 | Svingkonsol - rød | Drehwand - rot | Swing bracket - red | Console - rouge |
| 018 | 90102744 | 6 | Bolt | Schraube | Screw | Vis |
| 019 | 90102916 | 1 | Bolt | Schraube | Screw | Vis |
| 020 | 90102615 | 2 | Låsering | Sprengring | Circlips | Circlip |
| 021 | 90101263 | 1 | Not | Pasfeder | Key | Clavette |
| 022 | 90100691 | 6 | Låsemøtrik | Mutter | Nut | Ecrou |
| 023 | 92500005 | 2 | Gevindbøjle | Gewindbügel | Clamp | Filet cercle |
| 024 | 90227570 | 1 | Remskive | Riemenscheibe | Pulley | Poulie |
| 025 | 90300165 | 1 | Kilerem - børster | Keilriemen | Belt | Courroie |
| 026 | 90200222 | 2 | Leje | Kugellager | Ball bearing | Roulem.à billes |
| 027 | 90227523 | 1 | Lejehus | Lagerhåuse | Bearing house | Boite motié |
| 028 | 90227516 | 1 | Lejebuk | Lagerbock | Trestle bearing | Boite |
| 029 | 90227524 | 1 | Aksel | Kehrwelle | Axle | Essieu |
| 030 | 90100693 | 4 | Møtrik | Mutter | Nut | Ecrou |
| 031 | 90227511 | 1 | Underplade | Platte | Bracket | Console |
| 032 | 90120059 | 1 | Planskive | Scheibe | Washer | Rondelle |
| 033 | 90227547 | 2 | Fjeder | Feder | Spring | Ressort |
| 034 | 90122121 | 4 | Bolt | Schraube | Screw | Vis |
| 035 | 90113800 | 2 | Traktorsplit | Stift | Pin | Goupille |
| 036 | 90307950 | 20 | Plastbøsning | Buchse | Bushing | Entretoise |
| 037 | 90227520 | 2 | Hjulgaffel | Radgabel | Wheel fork | Fourche |
| 038 | 90227522 | 1 | Gaffelpal | Stophalterung | Catchbracket | Console |
| 039 | 90102773 | 1 | Bolt | Schraube | Bolt | Vis |
| 040 | 90304080 | 2 | Plasthjul | Stützrad | Support | Roue en plastic |
| 041 | 90102945 | 2 | Bolt | Schraube | Screw | Vis |
| 042 | 90102773 | 2 | Bolt | Schraube | Screw | Vis |
| 043 | 90102199 | 2 | Låseskive | Federschreibe | Lock washer | Rondelle frein |
| 044 | 92500113 | 2 | Endeskål | Endeschale | Bottombowl | Coupe Tube à |
| 045 | 90227572 | 12 | Børste | Bürste | Brush | Balayerrondelle |
| 046 | 92500112 | 10 | Afstandsør | Buchse | Bushing | Entretoise |
| 047 | 90227574 | 2 | Børste kuppet | Bürste | Brush | Balayerrondelle |
| 048 | 90227533 | 2 | Børsterør | Bürsterohr | Brushtube | Tube de brosse |
| 049 | 90100691 | 6 | Møtrik | Mutter | Nut | Ecrou |
| 050 | 90100692 | 2 | Møtrik | Mutter | Nut | Ecrou |
| 051 | 90102726 | 6 | Bolt | Schraube | Screw | Vis |
| 052 | 90102919 | 2 | Bolt | Schraube | Screw | Vis |
| 053 | 90104480 | 2 | Rørstift | Spannstift | Cotter pin | Vis de serrage |
| 054 | 90227505 | 1 | Kardanled | Kardankreuzung | Propeller cros | Console |
| 055 | 90227502 | 1 | Gearbox kost | Getriebe bürsten | Transmission brus. | Transmission bros. |
| 056 | 90122180 | 4 | Møtrik | Mutter | Nut | Ecrou |
| 057 | 90122150 | 4 | Bolt | Schraube | Screw | Vis |
| 058 | 90102919 | 4 | Bolt | Schraube | Screw | Vis |
| 059 | 90227560 | 1 | Gear holder V | Getriebehalter L | Gear holder L | Console G |
| 060 | 90227558 | 1 | Gear holde H | Getriebehalter R | Gear holder R | Console D |
| 061 | 90100692 | 4 | Møtrik | Mutter | Nut | Ecrou |



Handy Sweep

| Illustration B | | | | | | |
|----------------|----------|-----|--------------------|-------------------|------------------|---------------------|
| Nr. | Best.nr. | Stk | Beskrivelse DK | Bezeichnung D | Description GB | Description F |
| 100 | Tecumseh | 1 | Motor | Motor | Motor | Moteur |
| 100 | Honda | 1 | Motor | Motor | Motor | Moteur |
| 101 | 90227566 | 1 | Motor remskive | Keilreimenscheibe | Pulley | Poulie |
| 102 | 90100283 | 1 | Pinol skrue | Schraube | Screw | Vis |
| 103 | 90307030 | 1 | Gaskabel | Gaszug | Throttle control | Etrangl. Du gaz |
| 104 | 90100076 | 1 | Bolt | Schraube | Screw | Vis |
| 105 | 90100691 | 1 | Låsemøtrik | Mutter | Nut | Ecrou |
| 106 | 90100235 | 2 | Bolt | Schraube | Screw | Vis |
| 107 | 90100691 | 2 | Møtrik | Mutter | Nut | Ecrou |
| 108 | 90227617 | 1 | Overstyr | Upper holm | Over handle | Poignee |
| 109 | 90628242 | 2 | Label | Label | Label | Label |
| 110 | 90227552 | 2 | Koblingsgreb | Kupplungsgriff | Clutch | Poignée d'emb. |
| 111 | 90102934 | 2 | Bolt | Schraube | Screw | Vis |
| 112 | 90307954 | 4 | Plastskive | Plast Schreibe | Plast Washer | Rondelle en plastic |
| 113 | 90307952 | 4 | Styrklods | Plast Halterung | Plast bracket | Support en plastic |
| 114 | 90102311 | 2 | Planskive | Schreibe | Washer | Rondelle |
| 115 | 90307948 | 2 | Plasthåndhjul | Plast Griff | Plast handle | Poigné - plastic |
| 116 | 90100662 | 2 | Stålmøtrik | Mutter | Nut | Ecrou |
| 117 | 90227619 | 1 | Understyr | Unter holm | Lower handle | Poignée bas |
| 118 | 90122180 | 4 | Møtrik | Mutter | Nut | Ecrou |
| 119 | 90122150 | 4 | Bolt | Schraube | Screw | Vis |
| 120 | 90227622 | 1 | Kabel gear | Kabel getriebe | Cable gear | Cable gear |
| 121 | 90227620 | 1 | Kabel børste | Kabel børsten | Cable brush | Cable Balayer |
| 122 | 90227607 | 1 | Låg remkasse | Riemenebdeckung | Beltbox cover | Couvercle |
| 123 | 90227605 | 1 | Remkasse | Riemenebdeckung | Beltbox | Console |
| 124 | 90122113 | 2 | Tapтите | Schraube | Screw | Vis |
| 125 | 90122121 | 1 | Tapтите | Schraube | Screw | Vis |
| 126 | 90102198 | 1 | Låseskive | Schreibe | Washer | Rondelle |
| 127 | 90103890 | 1 | Bolt | Schraube | Screw | Vis |
| 128 | 90102919 | 1 | Bolt | Schraube | Screw | Vis |
| 129 | 90102198 | 2 | Skive | Schreibe | Washer | Rondelle |
| 130 | 90100662 | 2 | Møtrik | Mutter | Nut | Ecrou |
| 131 | 90102744 | 3 | Skrue | Schraube | Screw | Vis |
| 132 | 90227624 | 2 | Bøsning st.rulle | Buchse | Bushing | Entretoise |
| 133 | 90227610 | 1 | Str.rulle arm kost | Rimenspann. | Belt tightener | Console |
| 134 | 90120050 | 2 | Planskive | Schreibe | Washer | Rondelle |
| 135 | 90100662 | 2 | Møtrik | Mutter | Nut | Ecrou |
| 136 | 90227608 | 1 | Str.rulle arm frem | Rimenspann. | Belt tightener | Console |
| 137 | 90102774 | 1 | Sætskrue | Schraube | Screw | Vis |
| 138 | 90001528 | 1 | Bøsning | Buchse | Bushing | Entretoise |
| 139 | 92500035 | 1 | Strammerulle | Spanrolle | Idle pulley | Tendeur de courroi |
| 140 | 90111557 | 1 | Kontramøtrik | Mutter | Nut | Ecrou |
| 141 | 90102212 | 1 | Stjerneskrive | Schreibe | Washer | Rondelle |
| 142 | 90227547 | 2 | Fjeder | Feder | Spring | Ressort |
| 143 | 90307779 | 1 | Strammerulle | Spanrolle | Idle pulley | Tendeur de courroi |
| 144 | 90001507 | 1 | Bøsning | Buchse | Bushing | Entretoise |
| 145 | 90102210 | 1 | Stjerneskrive | Schreibe | Washer | Rondelle |
| 146 | 90111556 | 1 | Kontramøtrik | Mutter | Nut | Ecrou |
| 147 | 90227630 | 1 | Chassis - gul | Rahmen - gelb | Frame - yellow | Chassis - jaune |
| 147 | 90227632 | 1 | Chassis - rød | Rahmen - rot | Frame - red | Chassis - rouge |
| 148 | 90227526 | 1 | Skive | Schreibe | Washer | Rondelle |
| 149 | 90122160 | 4 | Bolt | Schraube | Screw | Vis |
| 150 | 90122180 | 4 | Møtrik | Mutter | Nut | Ecrou |
| 151 | 90122113 | 4 | Bolt | Schraube | Screw | Vis |
| 152 | 90227519 | 1 | Underskærm | Untere schutz | Lower screen | Protection bas |
| 153 | 90628610 | 1 | CE mærke | CE label | CE label | CE label |
| 154 | 90102489 | 2 | Seegering | Sprengring | Circlips | Circlip |
| 155 | 90304750 | 2 | Dæk | Reifen | Tire | Pneu |
| 156 | 90304850 | 2 | Slange | Schlauch | Tube | Tuyau |
| 157 | 90227612 | 2 | Fælg | Felge | Felloe | Jante |
| 158 | 90120110 | 4 | Skive | Schreibe | Washer | Rondelle |
| 159 | 90104496 | 2 | Rørstift | Spannstift | Cutter pin | Vis de serrage |
| 160 | 90227501 | 1 | Transmission | Getriebe | Transmission | Transmission |
| 161 | 90102921 | 4 | Bolt | Schraube | Screw | Vis |
| 162 | 90122180 | 4 | Møtrik | Mutter | Nut | Ecrou |
| 163 | 90300160 | 1 | Kilerem | Keilriemen | Belt | Courroie |
| 164 | 90227569 | 1 | Kileremskive | Keilreimenscheibe | Pulley | Poulie |
| 165 | 90104488 | 1 | Rørstift | Spannstift | Cutter pin | Vis de serrage |