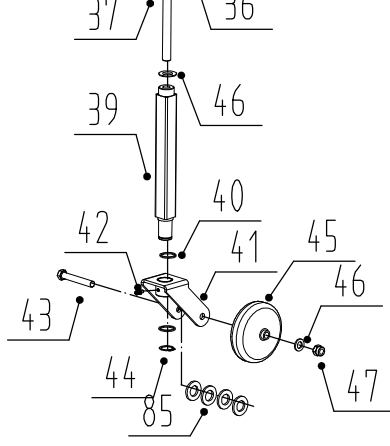
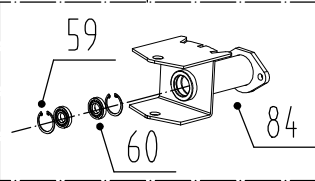
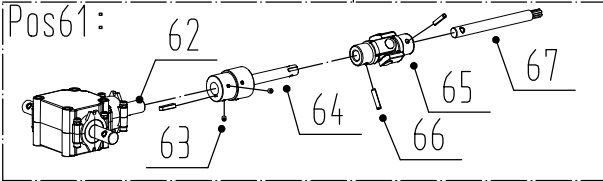
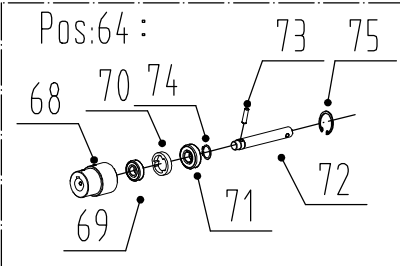
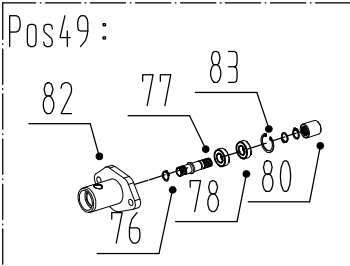
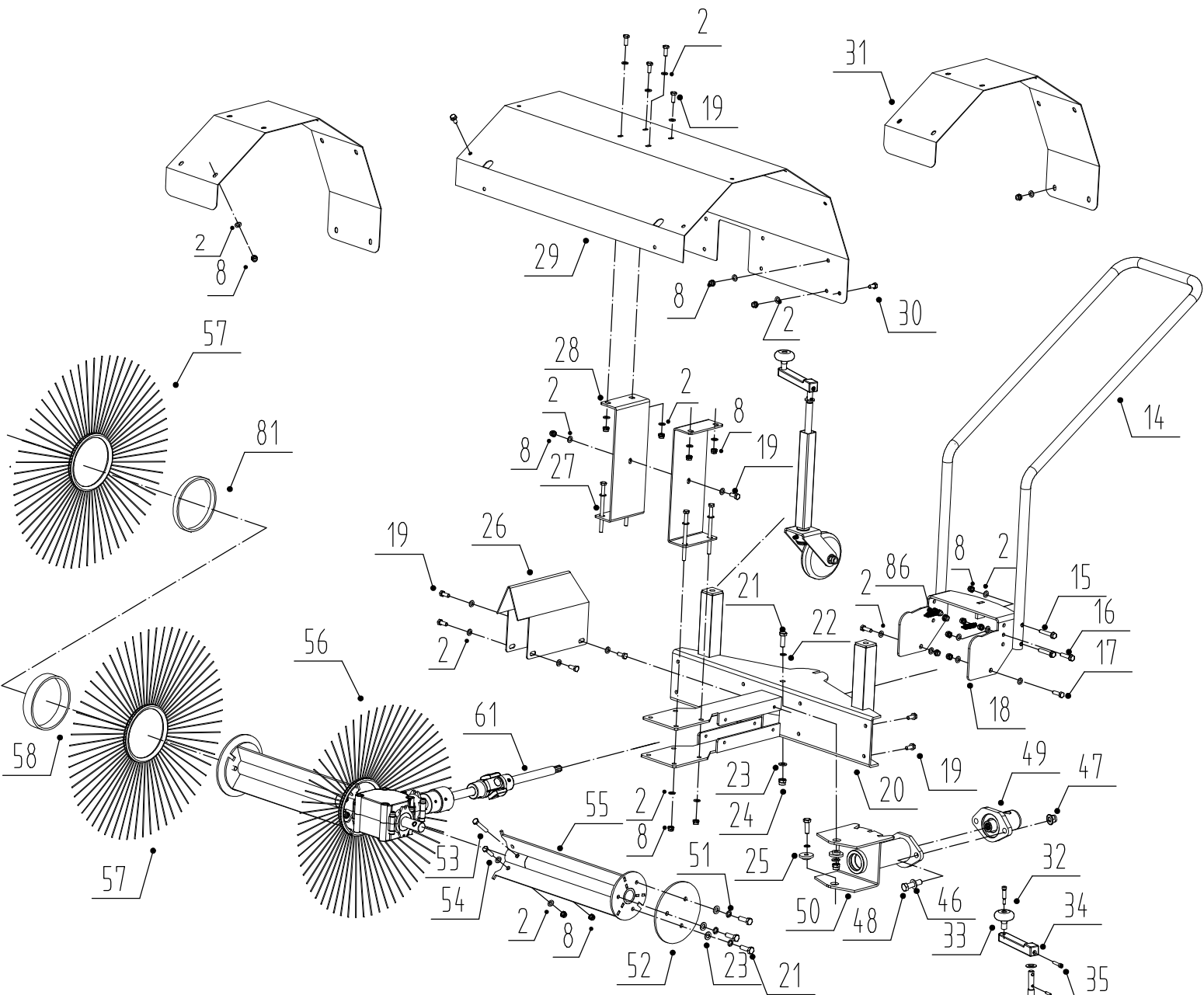


POS	QTY	PARTNUMBER	BESKRIVELSE	DESCRIPTION
1	2	422602	GEARHUS	GEARBOX COVER
2	16	422347	SKIVE 8	WAHSER 8
3	8	422603	SKRUE M8*50	HEXAGON SOCKET CAP SCREW M8*50
4	1	422604	KRONHJUL	BEVEL GEAR
5	1	422605	BØSNING 32.5*25.5*13.5	BUSHING?32.5*?25.5*13.5
6	4	422412	LEJE 6205	BEARING 6205
7	3	422606	PAKDÅSE	OIL SEALING
8	8	422334	LÅSEMØTRIK M8	SELF-LOCKING NUT M8
9	1	422607	KRONHJULAKSEL	SHAFT I
10	1	422608	NOT A8*7*40	FLAT KEY A8*7*40
11	4	422425	SEEGERRING 25	CIRCLIP FOR SHAFT 25
12	1	422609	NOT 8*20	FLAT KEY 8*20
13	1	422610	AKSEL	SHAFT FOR BEVEL GEAR



POS	QTY	PARTNUMBER	BESKRIVELSE	DESCRIPTION
2	50	422347	SKIVE 8	WAHSER 8
8	39	422334	LÅSEMØTRIK M8	SELF-LOCKING NUT M8
14	1	422611	STYRRØR	HANDLEBAR FOR PRO950 SWEEPER
15	4	422364	BOLT M8X45	HEXAGON BOLT M8*45 (GRADE 8.8)
16	2	422612	BOLT M8X35	HEXAGON BOLT M8*35 (GRADE 8.8)
17	14	422377	BOLT M8X25	HEXAGON BOLT M8*25 (GRADE 8.8)
18	1	422613	KONSOL STYR	TURNING FORK
19	5	422614	BOLT M8X20	HEXAGON BOLT M8*20 (GRADE 8.8)
20	1	422615	CHASSIS	TURNING BRACKET ASSEMBLING
21	8	422616	BOLT M10X30	HEXAGON BOLT M10*30 (GRADE 8.8)
22	2	422389	TANDSKIVE YDRE 10	EXTERNAL TEETH LOCK WASHER 10
23	8	422336	SKIVE 10	WASHER 10
24	4	422492	LÅSEMØTRIK M10	SELF-LOCKING NUT M20
25	2	422617	SKIVE	WASHER WITH STEP FOR PRO750
26	1	422618	SKÆRM	PROTECT COVER
27	4	422619	BOLT M8X125	HEXAGON BOLT M8*125 (GRADE 8.8)
28	2	422620	HOLDER FOR SKÆRM	MAIN GUARD SUPPORT
29	1	422621	SKÆRM 100CM	MAIN GUARD
30	10	422538	BOLT M8X16	HEXAGON BOLT M8*16
31	2	422622	SIDESKÆRM	SIDE GUARD
32	2	422623	PIN	FIXING PIN FOR WHEEL ADJUST
33	2	422624	GREB	KNOB
34	2	422625	BESLAG	KNOB SUPPORT
35	2	422500	BOLT M6X30 M6X30	HEXAGON SOCKET CAP SCREW M6*30
36	2	422626	PIN 5*22	ELASTIC CYLINDRICAL PIN 5*22
37	2	422627	HJULSPINNEL	GUIDE SCREW
39	2	422628	RØR FOR HJULSPINNEL	INNER SQUARE TUBE
40	4	422629	SKIVE	WASHER 31.5
41	2	422630	HJULGAFFEL	WHEEL SUPPORT
42	2	422631	SNØRENIPPEL	OIL PLUG
43	2	422632	BOLT M12X80	HEXAGON BOLT M12*80 (GRADE 8.8)
44	2	422425	SEEGERRING 25	CIRCLIP FOR SHAFT 25
45	2	422633	HJUL	WHEEL
46	8	422477	SKIVE 12	WASHER 12
47	4	422634	LÅSEMØTRIK M12	SELF-LOCKING NUT M12
48	2	422635	BOLT M12X40	HEXAGON BOLT M12*40 (GRADE 8.8)
49	1	422636	KOBLING	QUICKJOINT ASSEMBLY
50	1	422637	GEARHUS	TURNING SHAFT ASSEMBLING

POS	QTY	PARTNUMBER	BESKRIVELSE	DESCRIPTION
51	6	422638	FJEDERSKIVE 10	SPRING WASHER 10
52	2	422639	ENDEPLADE	PRESSING PLATE
53	2	422640	BOLT M10X50	HEXAGON BOLT M10*50 (GRADE 8.8)
54	2	422361	BOLT M8X30	HEXAGON BOLT M8*30 (GRADE 8.8)
55	2	422641	BØRSTERØR	BRUSH AXIS
56	2	422642	VEJFEJERING KUPPET 26	26° BURSH FOR PRO950
57	22	422643	VEJFEJERING 13	13° BURSH FOR PRO950
58	18	422644	AFSTANDSRING	PVC SPACER BUSH 1
59	2	422645	SEEGERRING 42	CIRCLIP FOR SHAFT 42
60	2	422646	LEJE 6004	BEARING 6004
61	1	422647	TRANSMSSION	TRANSMISSION SHAFT 1
62	1	422648	GEAR	GEARBOX ASSEMBLING
63	3	422649	SKRUE M8X8	CONCAVE END SET SCREW M8*8
64	1	422650	KOBLING	ONE-WAY CLUTCH
65	1	422651	KARDANLED	CARDAN JOINT
66	2	422652	PIN 8X40	ELASTIC CYLINDRICAL PIN 8*40
67	1	422653	AKSEL	DRIVING SHAFT 1
68	1	422654	KOBLING	ONE-WAY CLUTCH SLEEVE
69	1	422655	LEJE 6203	BEARING 6203
70	1	422656	KRAVE	ONE-WAY CLUTCH SLEEVE
71	1	422443	LEJE 6204	BEARING 6204
72	1	422657	AKSEL	DRAWING SHAFT 2
73	1	422658	PIN 8*30	CONNECT PIN 8*30
74	1	422659	SEEGERRING 20	CIRCLIP FOR SHAFT 20
75	1	422660	SEEGERRING 47	CIRCLIP FOR HOLE 47
76	3	422661	SKIVE	DRIVING SHAFT 2
77	1	422662	AKSEL 8*30	CONNECT PIN 8*30
78	2	422663	LEJE 6203	BEARING 6203
80	1	422664	BØS	SPLINE SLEEVE
81	2	422665	BØS	PVC SPACER BUSH 2
82	1	422666	KONSOL	INNER SLEEVE FOR QUICKJOINT
83	1	422667	SEEGERRING 35	CIRCLIP FOR HOLE 35
84	1	422637	GEARHUS	TURNING SHAFT ASSEMBLING
85	8	422668	SKIVE 12*24*3	WASHER 12*24*3
86	2	422669	FJEDER	TURNING SPRING