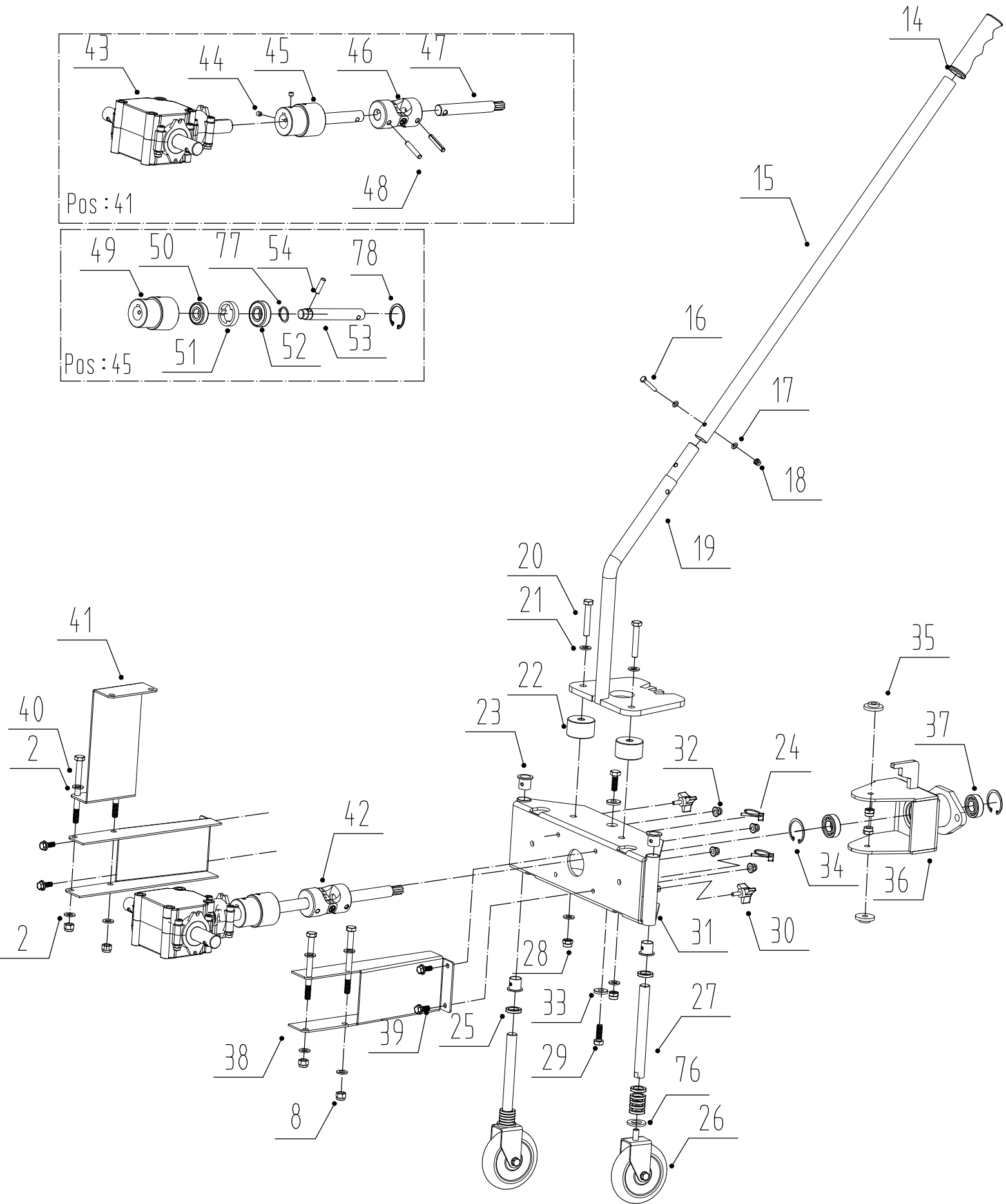
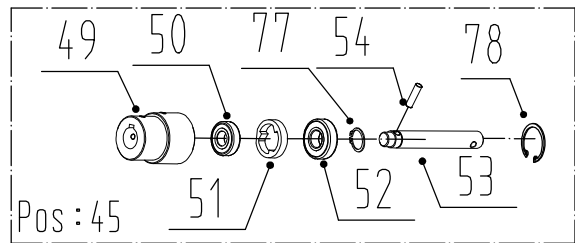
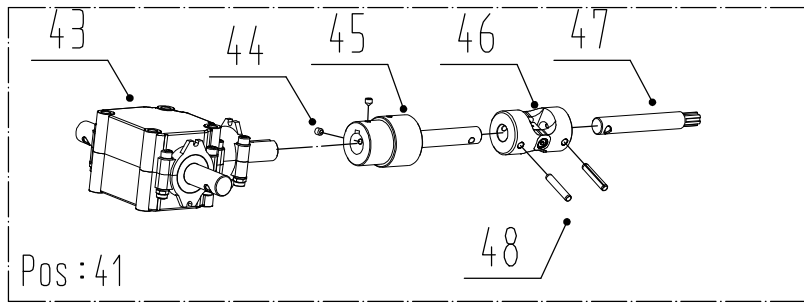
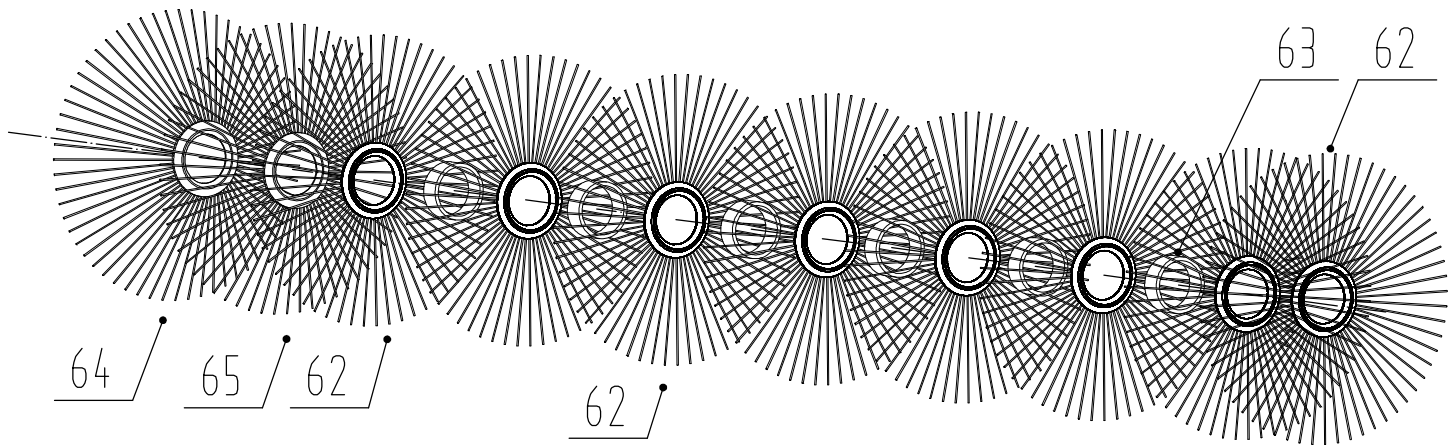
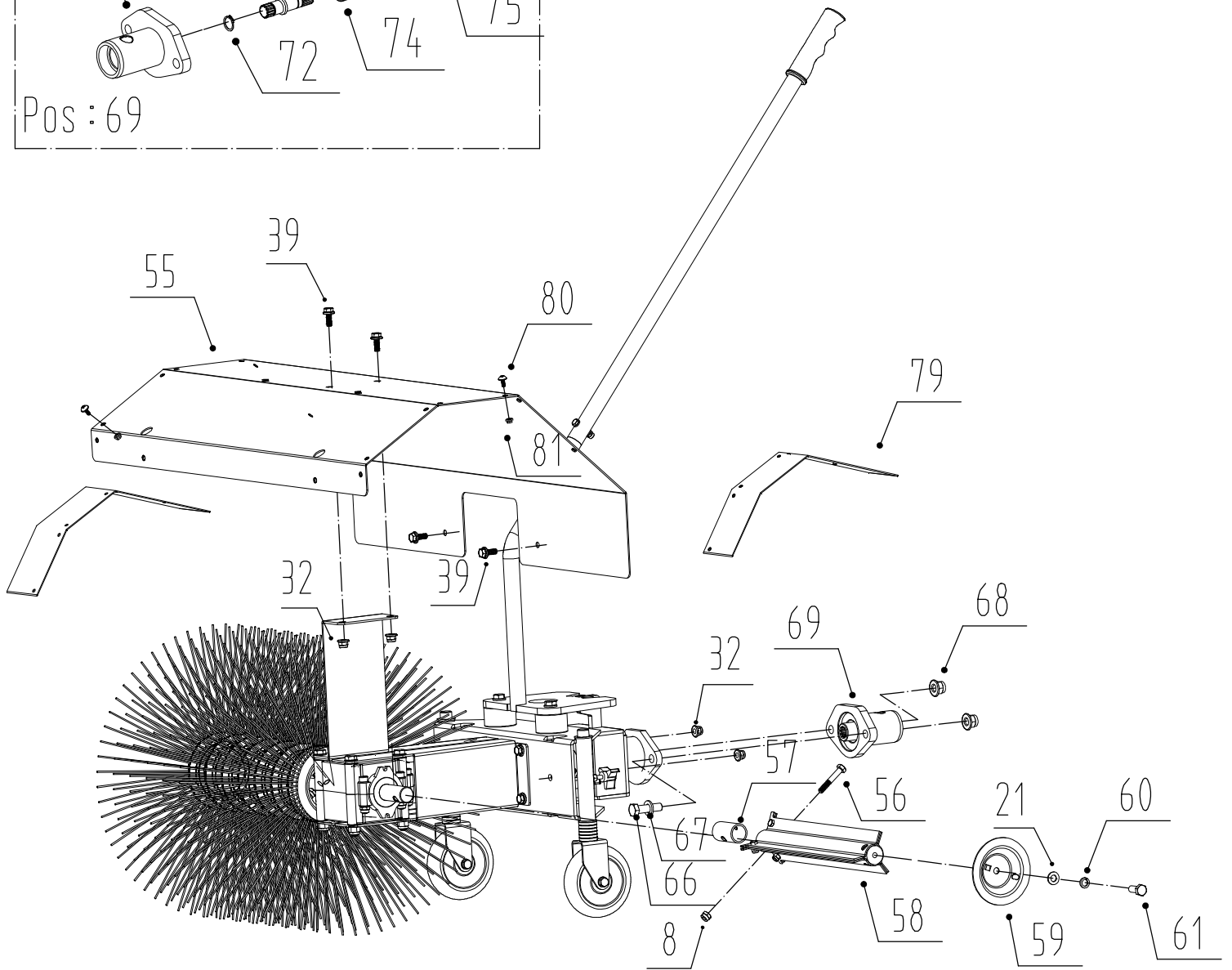
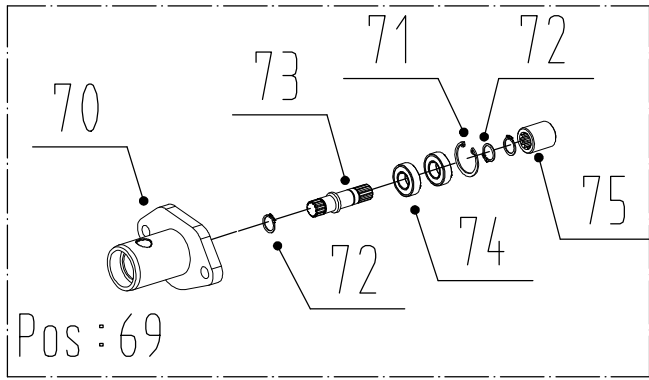


| POS | QTY | PARTNUMBER | BESKRIVELSE            | DESCRIPTION                       |
|-----|-----|------------|------------------------|-----------------------------------|
| 1   | 2   | 422602     | GEARHUS                | GEARBOX COVER                     |
| 2   | 16  | 422347     | SKIVE M8               | WAHSER 8                          |
| 3   | 8   | 422603     | SKRUE M8*50            | HEXAGON SOCKET CAP<br>SCREW M8*50 |
| 4   | 1   | 422604     | KRONHJUL               | BEVEL GEAR                        |
| 5   | 1   | 422605     | BØSNING 32.5*25.5*13.5 | BUSHIING?32.5*?25.5*13.5          |
| 6   | 4   | 422412     | LEJE 6205              | BEARING 6205                      |
| 7   | 3   | 422606     | PAKDÅSE                | OIL SEALING                       |
| 8   | 8   | 422334     | LÅSEMØTRIK M8          | SELF-LOCKING NUT M8               |
| 9   | 1   | 422607     | KRONHJULAKSEL          | SHAFT I                           |
| 10  | 1   | 422608     | NOT A8*7*40            | FLAT KEY A8*7*40                  |
| 11  | 4   | 422425     | SEEGERRING 25          | CIRCLIP FOR SHAFT 25              |
| 12  | 1   | 422609     | NOT 8*20               | FLAT KEY 8*20                     |
| 13  | 1   | 422610     | AKSEL                  | SHAFT FOR BEVEL GEAR              |



| POS | QTY | PARTNUMBER | BESKRIVELSE                    | DESCRIPTION                        |
|-----|-----|------------|--------------------------------|------------------------------------|
| 2   | 8   | 422347     | SKIVE M8                       | WAHSER 8                           |
| 8   | 4   | 422334     | LÅSEMØTRIK M8                  | SELF-LOCKING NUT M8                |
| 14  | 1   | 916143     | GREB                           | HANDLE                             |
| 15  | 1   | 422894     | STYRRØR                        | HANDLEBAR                          |
| 16  | 1   | 422895     | BOLT M6X35                     | HEXAGON BOLT M6*35<br>(GRADE 8.8)  |
| 17  | 2   | 422896     | SKIVE M6                       | WASHER 6                           |
| 18  | 1   | 90100691   | LÅSEMØTRIK 8.8 M6              | LOCKING NUT M6                     |
| 19  | 1   | 422897     | STYRRØR NEDRE                  | LOWER TURNING HANDLE               |
| 20  | 2   | 422898     | BOLT M10X60                    | HEXAGON BOLT M10*60<br>(GRADE 8.8) |
| 21  | 4   | 422336     | SKIVE 10                       | WASHER 10                          |
| 22  | 2   | 422899     | BØS                            | RUBBER PAD                         |
| 23  | 4   | 422900     | KRAVE                          | PLASTIC PLUG                       |
| 24  | 2   | 422901     | STIFT                          | CIRCLE LOCATED PIN                 |
| 25  | 12  | 422902     | PLASTISK SKIVE                 | PLASTIC WASHER                     |
| 26  | 2   | 422903     | HJUL TIL 80 CM                 | CASTOR FOR PRO 750                 |
| 27  | 2   | 422904     | HJULAKSEL                      | CASTOR SHAFT                       |
| 28  | 4   | 422492     | LÅSEMØTRIK M10                 | SELF-LOCKING NUT M20               |
| 29  | 2   | 422616     | BOLT M10X30                    | HEXAGON BOLT M10*30<br>(GRADE 8.8) |
| 30  | 2   | 422905     | KNOB                           | KNOB                               |
| 31  | 1   | 422906     | CHASSIS                        | CONNECT BRAKET                     |
| 32  | 4   | 422465     | LÅSEMØTRIK FLANGE M8           | HEX FLANGE FACE LOCKING<br>NUT M8  |
| 33  | 2   | 422907     | SKIVE 25X10X3                  | WASHER ?25*?10*3                   |
| 34  | 2   | 422645     | SEEGERRING 42                  | CIRCLIP FOR SHAFT 42               |
| 35  | 2   | 422617     | SKIVE                          | WASHER WITH STEP FOR<br>PRO750     |
| 36  | 1   | 422908     | KARDANLED                      | DRIVING BRAKET                     |
| 37  | 2   | 90200242   | KUGLELEJE 6004-2RS<br>42X20X12 | BALL BEARING 6004-RS<br>42X20X12   |
| 38  | 2   | 422909     | BESLAG                         | GEARBOX BRAKET                     |
| 39  | 4   | 417995     | FLANGEMØTRIK M8X20             | COLLAR NUT M8X20                   |
| 40  | 4   | 90102931   | STÅLBOLT 8.8 M8X120 FZ         | STEEL BOLT M8X120 FZ               |
| 41  | 1   | 422912     | STØTTE BESLAG                  | SUPPORT FOR COVER                  |
| 42  | 1   | 422913     | KARDANLED                      | GIMBLE                             |
| 43  | 1   | 422648     | GEAR                           | GEAXBOX ASSEMBLING                 |
| 44  | 2   | 422649     | SKRUE M8X8                     | CONCAVE END SET SCREW<br>M8*8      |
| 45  | 1   | 422650     | KOBLING                        | ONE-WAY CLUTCH                     |
| 46  | 1   | 422913     | KARDANLED                      | GIMBLE                             |
| 47  | 1   | 422653     | AKSEL                          | DRIVING SHAFT 1                    |
| 48  | 2   | 422652     | PIN 8X40                       | ELASTIC CYLINDRICAL PIN<br>8*40    |
| 49  | 1   | 422656     | KRAVE                          | ONE-WAY CLUTCH SLEEVE              |
| 50  | 1   | 422655     | LEJE 6203                      | BEARING 6203                       |
| 51  | 1   | 422654     | KOBLING                        | ONE-WAY CLUTCH SLEEVE              |
| 52  | 1   | 422443     | LEJE 6204                      | BEARING 6204                       |
| 53  | 1   | 422914     | AKSEL                          | DRIVING SHAFT 2                    |
| 54  | 1   | 422658     | PIN 8*30                       | CONNECT PIN 8*30                   |
| 76  | 2   | 422477     | SKIVE M12                      | WASHER 12                          |

| POS | QTY | PARTNUMBER | BESKRIVELSE   | DESCRIPTION          |
|-----|-----|------------|---------------|----------------------|
| 77  | 1   | 422659     | SEEGERRING 20 | CIRCLIP FOR SHAFT 20 |
| 78  | 1   | 422660     | SEEGERRING 47 | CIRCLIP FOR HOLE 47  |



| POS | QTY | PARTNUMBER | BESKRIVELSE                            | DESCRIPTION           |
|-----|-----|------------|--|-----------------------|
| 8   | 2   | 90100692   | LÅSEMØTRIK M8                          | LOCKING NUT M8        |
| 21  | 2   | 422336     | PLANSKIVE M10                          | FACE PLATE M10        |
| 39  | 4   | 90122150   | FLANGEBOLT M8X20                       | COLLAR BOLT M8X20     |
| 32  | 4   | 422465     | LÅSEMØTRIK M8                          | LOCKING NUT M8        |
| 55  | 1   | 422915     | SKÆRM 80CM                             | GUARD 80CM            |
| 56  | 2   | 90102916   | STÅLBOLT 8.8 M8X45                     | STEEL BOLT M8X45      |
| 57  | 2   | 422916     | BØS                                    | BUSHING               |
| 58  | 2   | 422917     | BØRSTERØR                              | BRUSH TUBE            |
| 59  | 2   | 422918     | DÆKSEL                                 | LID                   |
| 60  | 2   | 422638     | FJEDERSKIVE 10                         | SPRING COLLAR 10      |
| 61  | 2   | 422378     | SÆTBOLT M10X25                         | SET BOLT M10X25       |
| 62  | 16  | 414741     | VEJFEJERING LIGE 2,0MM<br>450MM X 3"   | BRUSH 450MM X 3"      |
| 63  | 12  | 92500112   | AFSTANDSRØR FOR KOST 33<br>MM.         | SPACER TUBE 33 MM.    |
| 64  | 2   | 414740     | VEJFEJERING KUPPET 2,0MM<br>450MM X 3" | BRUSH 450MM X 3"      |
| 65  | 2   | 422922     | BØRSTE 13                              | BRUSH 13              |
| 66  | 2   | 422635     | BOLT M12X40                            | BOLT M12X40           |
| 67  | 2   | 422477     | PLANSKIVE M12                          | FACE PLATE M12        |
| 68  | 2   | 422634     | LÅSEMØTRIK M12                         | LOCKING NUT M12       |
| 69  | 1   | 422636     | KOBLING                                | CLUTCH                |
| 70  | 1   | 422666     | KONSOL                                 | CONSOLE               |
| 71  | 1   | 422667     | SEEGERRING I35                         | RETAINER RING I35     |
| 72  | 3   | 422598     | SEEGERRING 17                          | RETAINER RING 17      |
| 73  | 1   | 422662     | AKSEL 8*30                             | SHAFT 8*30            |
| 74  | 2   | 420761     | KUGLELEJE 17X35X10                     | BALL BEARING 17X35X10 |
| 75  | 1   | 422664     | BØS                                    | BUSHING               |
| 79  | 2   | 422923     | SKÆRM                                  | GUARD                 |
| 80  | 12  | 422924     | SKRUE ST5X12                           | SCREW ST5X12          |
| 81  | 12  | 90100660   | MØTRIK M5                              | NUT M5                |