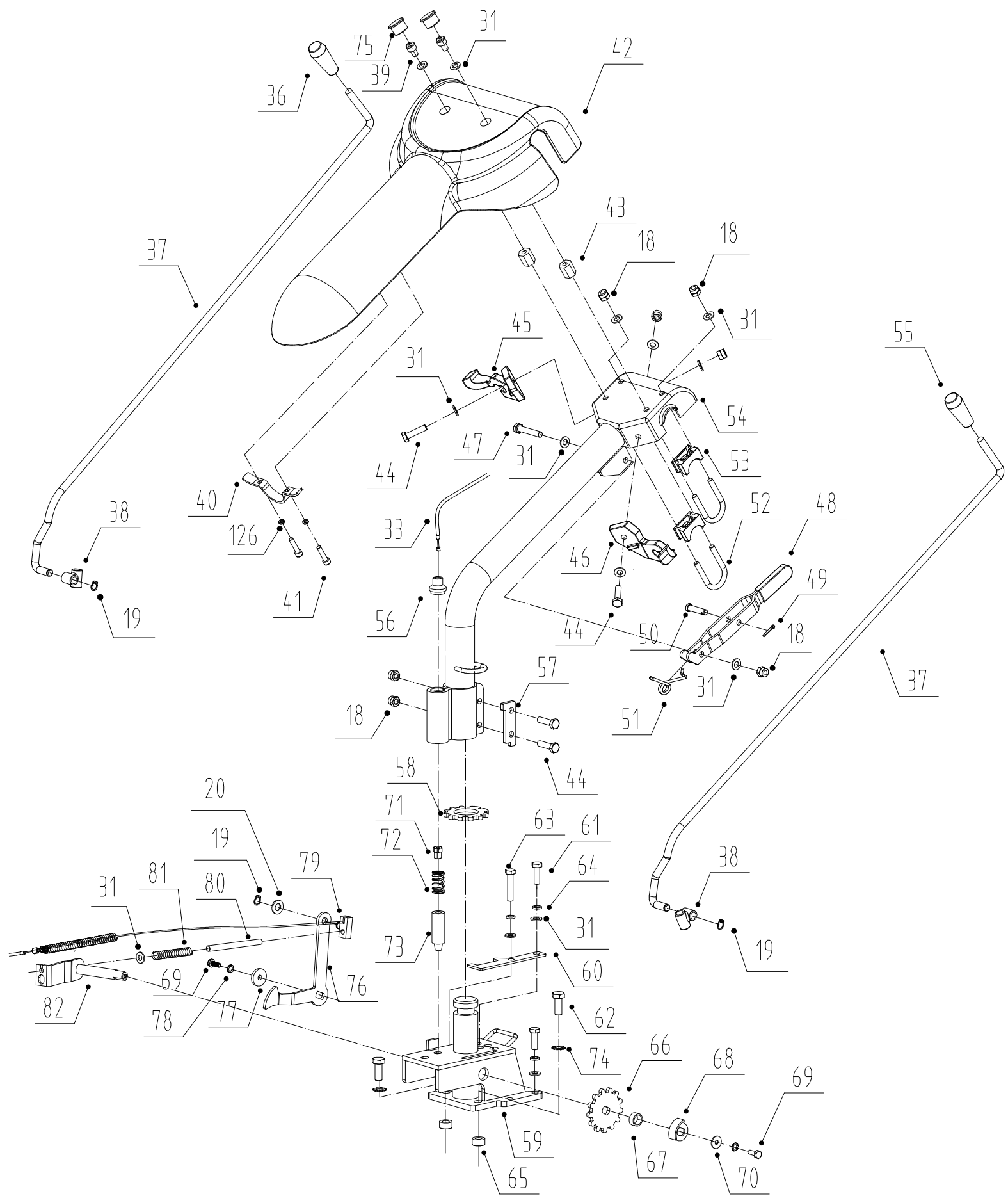
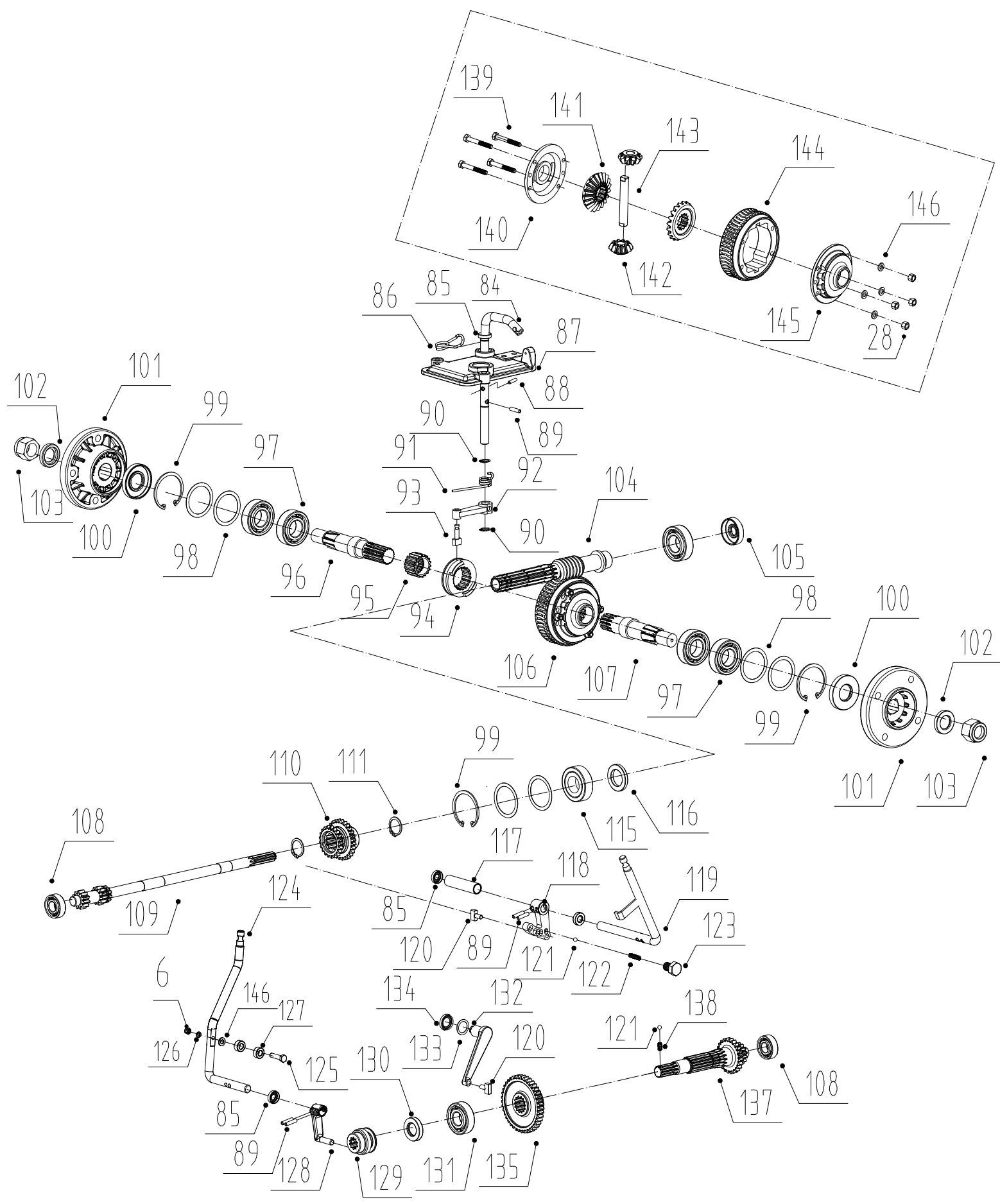


| POS | QTY | PARTNUMBER | BESKRIVELSE | DESCRIPTION |
|-----|-----|------------|-------------------|--|
| 1 | 1 | 422317 | HÅNDTAG HØJRE | RIGHT HANDLE GRIP (PVC) |
| 2 | 1 | 422318 | HÅNDTAG VENSTRE | LEFT HANDLE GRIP (PVC) |
| 3 | 2 | 422319 | KOBLINGSGREB | CLUTCH HANDLE |
| 4 | 1 | 422320 | KOBLINGSKABEL | CABLE FOR DIFFERENTIAL MECHANISM |
| 5 | 2 | 422321 | BOLT M6X30 | HEXAGON BOLT M6*30 |
| 6 | 2 | 422322 | LÅSEMØTRIK M6 | SELF-LOCKING NUT M6 |
| 7 | 1 | 422323 | OVERSTYR PRO 950 | HANDLE FOR PEO TRAC |
| 8 | 1 | 422324 | SKRUE ST4*10 | CRUCIFORM SLOT SCREW ST4*10 |
| 9 | 1 | 422325 | KABEL | FLAMOUT CABLE FOR PRO750D(950D) /THROTTL |
| 10 | 1 | 422326 | LEDNING | FLAMOUT WIRE |
| 11 | 1 | 422327 | KONTAKT | SWITCH ALWAYS OPEN |
| 12 | 1 | 422328 | HOLDER | BASE FOR START HANDLE |
| 13 | 1 | 422329 | FJEDER | SPRING FOR START HANDLE |
| 14 | 1 | 422330 | PIN 4*28 | PIN FOR START HANDLE4*28 |
| 15 | 1 | 422331 | DØDMANDSGREB | START HANDLE (RED) |
| 16 | 1 | 422332 | KABEL | FORWARD AND REVERSE CONTROLLED CABLE |
| 17 | 1 | 422333 | BESLAG TIL KABEL | FORWARD AND REVERSE CONTROLLED CABLE BAS |
| 18 | 2 | 422334 | LÅSEMØTRIK M8 | SELF-LOCKING NUT M8 |
| 19 | 1 | 422335 | SEEGERRING 10 | CIRCLIP FOR SHAFT 10 |
| 20 | 1 | 422336 | SKIVE 10 | WASHER 10 |
| 21 | 1 | 422337 | FJEDER | RESET TORSIONAL SPRING |
| 22 | 1 | 422338 | GEARARM | FORWARD AND REVERSE CONTROLLED HANDLE |
| 23 | 1 | 422339 | HÅNDTAG | FORWARD AND REVERSE CONTROLLED HANDLE GR |
| 24 | 1 | 422340 | BØSNING 16X8.5X15 | BUSHING ?16*?8.5*15 |
| 25 | 1 | 422341 | BASE | FORWARD AND REVERSE CONTROLLED HANDLE BA |
| 26 | 1 | 422342 | BOLT M8X45 | HEXAGON BOLT M8*45 |
| 27 | 1 | 422343 | GASREGULERING | GASLEVER |
| 28 | 2 | 422344 | MØTRIK M6 | HEXAGON NUT M6 |
| 29 | 1 | 422345 | GASKABEL | THROTTLE CABLE FOR PRO750D/PRO950D |
| 30 | 2 | 422346 | SEEGERRING 8 | CIRCLIP FOR SHAFT 8 |
| 31 | 1 | 422347 | SKIVE 8 | WAHSER 8 |
| 32 | 1 | 422348 | GREB | TURNING CONTROLLED HANDLE |
| 33 | 1 | 422349 | KABEL | TURNING CONTROLLED CABLE |
| 34 | 1 | 422350 | BØS | AXIS FOR TURNING CONTROLLED HANDLE |
| 35 | 1 | 422351 | SKRUE M6*6 | CONCAVE END SET SCREW M6*6 |
| 83 | 1 | 422352 | SKIVE 4 | BIG WASHER 4 |



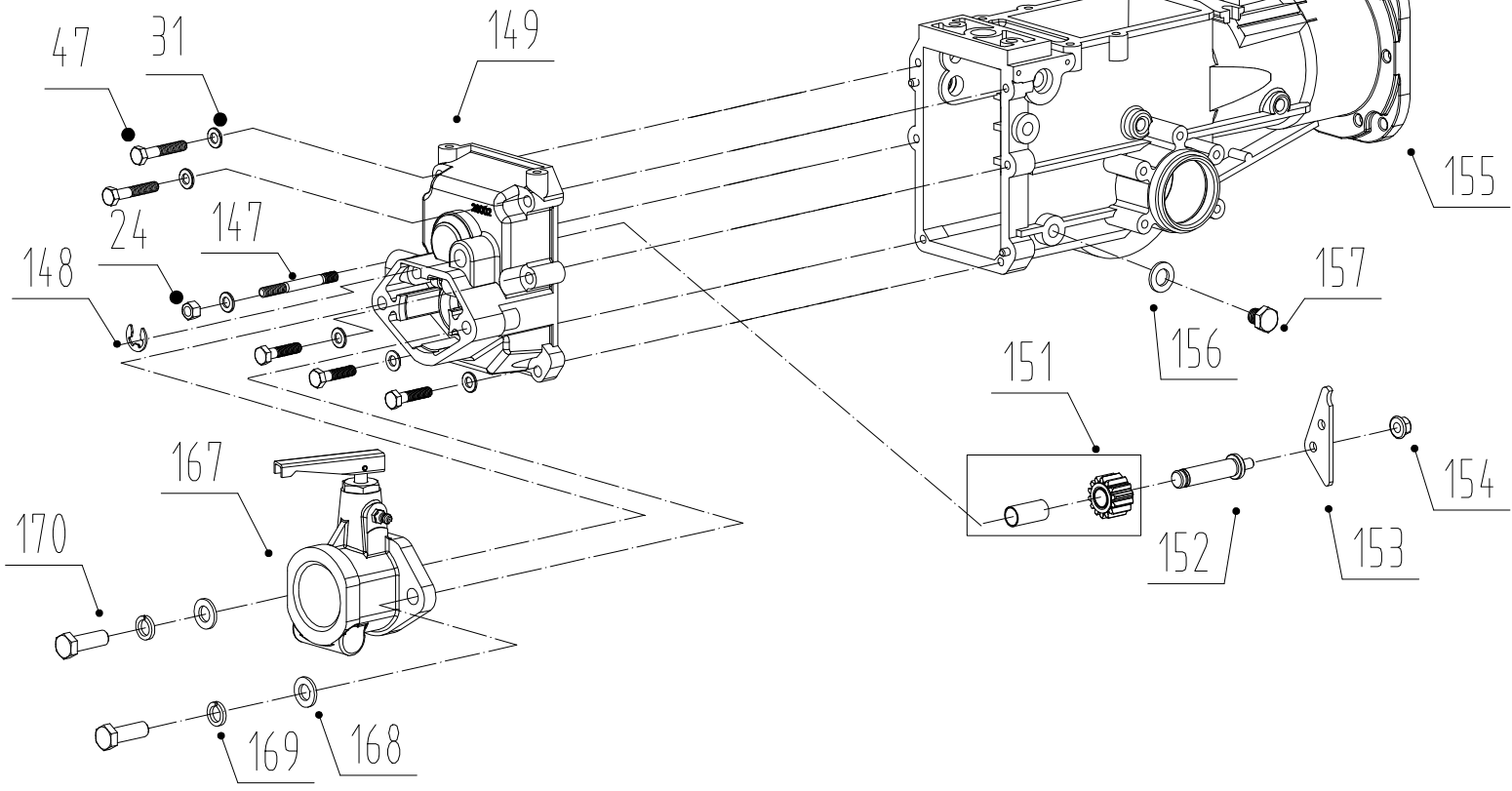
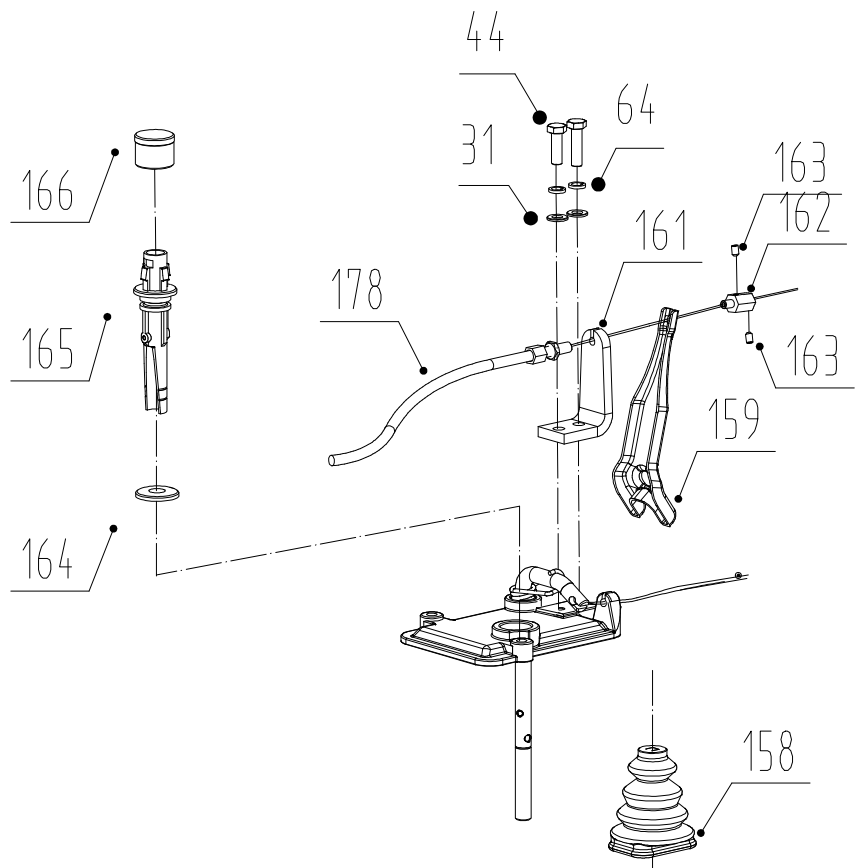
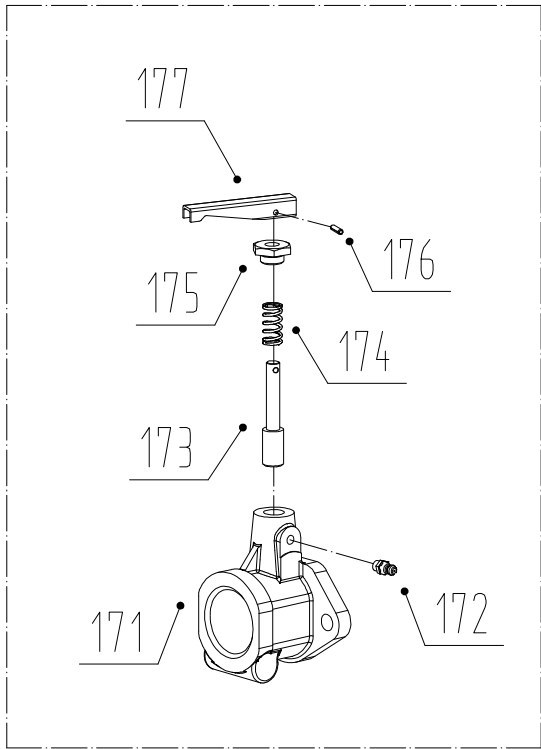
| POS | QTY | PARTNUMBER | BESKRIVELSE | DESCRIPTION |
|-----|-----|------------|-------------------|------------------------------------|
| 36 | 1 | 422353 | GREB RØD | GRIP(RED) |
| 37 | 2 | 422354 | ARM | GEAR CHANGE BAR |
| 38 | 2 | 422355 | HOLDER | CONNECT JOINT |
| 19 | 3 | 422335 | SEEGERRING 10 | CIRCLIP FOR SHAFT 10 |
| 39 | 2 | 422356 | UNBRAKOBOLT M8*10 | HEXAGON SOCKET CAP SCREW M8*10 |
| 40 | 1 | 422357 | BESLAG | BUMPER BLOCK |
| 41 | 2 | 422358 | UNBRAKOBOLT M6X20 | HEXAGON SOCKET CAP SCREW M6*20 |
| 42 | 1 | 422359 | SKÆRM PRO950 | HANDLE COVER |
| 43 | 2 | 422360 | BØSNING | HEXAGON FIXED BUSHING |
| 18 | 7 | 422334 | LÅSEMØTRIK M8 | SELF-LOCKING NUT M8 |
| 31 | 16 | 422347 | SKIVE 8 | WAHSER 8 |
| 44 | 4 | 422361 | BOLT M8X30 | HEXAGON BOLT M8*30 (GRADE 8.8) |
| 45 | 1 | 422362 | HOLDER HØJRE | RIGHT GUIDE BASE |
| 46 | 1 | 422363 | HOLDER VENSTRE | LEFT GUIDE BASE |
| 47 | 2 | 422364 | BOLT M8X45 | HEXAGON BOLT M8*45 (GRADE 8.8) |
| 48 | 1 | 422365 | ARM | ADJUSTING HANDLE |
| 49 | 2 | 422366 | PIN 4 | OPEN STOP PIN 4 |
| 50 | 1 | 422367 | PIN 8*45 | PIN 8*45 |
| 51 | 1 | 422368 | FJEDER | SPRING FOR ADJUSTING HANDLE |
| 52 | 2 | 422369 | GEVINDBØJLE | U SHAPE BOLT |
| 53 | 2 | 422370 | STYRHOLDER | BASE FOR U SHAPE BOLT |
| 55 | 1 | 422371 | GREB SORT | GRIP(BLACK) |
| 56 | 1 | 422372 | BØS | BASE FOR TURNING CONTROLLED CABLE |
| 57 | 1 | 422373 | PLADE | LOCKING PLATE |
| 58 | 1 | 422374 | TANDHJUL | TURNING GEAR 1 |
| 59 | 1 | 422375 | KONSOL | HANDLE BASE |
| 60 | 1 | 422376 | BESLAG | BUMPER PLATE |
| 61 | 2 | 422377 | BOLT M8X25 | HEXAGON BOLT M8*25 (GRADE 8.8) |
| 62 | 2 | 422378 | BOLT M10*25 | HEXAGON BOLT M10*25 (GRADE 8.8) |
| 63 | 1 | 422379 | BOLT M8X40 | HEXAGON BOLT M8*40 (GRADE 8.8) |
| 64 | 3 | 422380 | FJEDERSKIVE 8 | SPRING WASHER 8 |
| 65 | 2 | 422381 | BØSNING 18X10*8.7 | BUSHING ?18*?10*8.7 |
| 66 | 1 | 422382 | TANDHJUL | TURNING GEAR 1 |
| 67 | 1 | 422383 | BØSNING | BUSHING FOR TURNING GEAR |
| 68 | 1 | 422384 | PLADE | LIMIT BLOCK SLICE |
| 69 | 2 | 422385 | BOLT M6*16 | HEXAGON BOLT M6*16 (GRADE 8.8) |
| 70 | 1 | 422386 | SKIVE 6 | BIG WASHER 6 |
| 71 | 1 | 422350 | BØS | AXIS FOR TURNING CONTROLLED HANDLE |
| 72 | 1 | 422387 | FJEDER | SPRING FOR LOWER HANDLE TURNING |
| 73 | 1 | 422388 | HOLDER | FIXED SHAFT |

| POS | QTY | PARTNUMBER | BESKRIVELSE | DESCRIPTION |
|-----|-----|------------|-------------------|------------------------------------|
| 20 | 1 | 422336 | SKIVE 10 | WASHER 10 |
| 74 | 1 | 422389 | TANDSKIVE YDRE 10 | EXTERNAL TEETH LOCK WASHER 10 |
| 75 | 2 | 422390 | HÆTTE | BOLT HAT |
| 76 | 1 | 422391 | JUSTER ARM | ADJUSTING ARM |
| 77 | 1 | 422392 | SKIVE | BLOCK SLICE |
| 78 | 2 | 422393 | TANDSKIVE YDRE 6 | EXTERNAL TEETH LOCK WASHER 6 |
| 79 | 1 | 422394 | FORBINDER | GUIDE BLOCK |
| 80 | 1 | 422395 | AKSEL | GUIDE AXIS |
| 81 | 1 | 422396 | FJEDER | PRESSING SPRING FOR PRO950(750) |
| 82 | 1 | 422397 | ARM | ROCKER WELDED PART |
| 126 | 2 | 422398 | FJEDERSKIVE 6 | SPRING WASHER 6 |

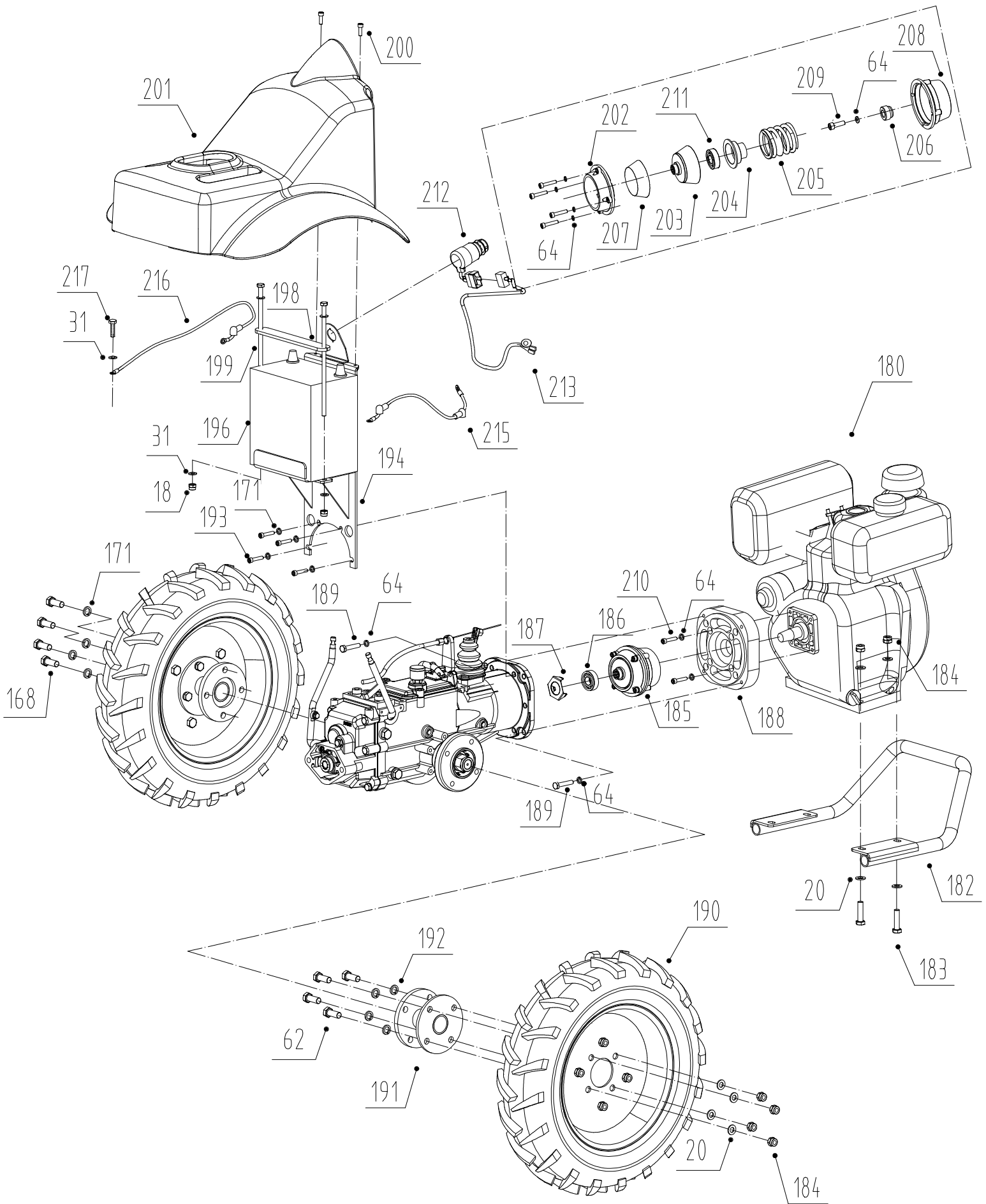


| POS | QTY | PARTNUMBER | BESKRIVELSE | DESCRIPTION |
|-----|-----|------------|------------------|---|
| 6 | 1 | 422322 | LÅSEMØTRIK M6 | SELF-LOCKING NUT M6 |
| 84 | 1 | 422399 | STANG | DIFFERENTIAL MECHANISM FORK BAR |
| 85 | 3 | 422400 | PAKDÅSE 12*19*5 | SEALING12*19*5 |
| 86 | 1 | 422401 | FJEDER | SPRING FOR DIFFERENTIAL MECHANISM |
| 87 | 1 | 422402 | DÆKSEL | UP COVER OF MAIN GEARBOX |
| 88 | 1 | 422403 | PIN 4*20 | ELASTIC PIN 4*20 |
| 89 | 5 | 422404 | PIN 5*20 | ELASTIC PIN 5*20 |
| 90 | 2 | 422405 | SEEGERRING 12 | CIRCLIP FOR SHAFT 12 |
| 91 | 1 | 422406 | FJEDER | TORSIONAL SPRING |
| 92 | 1 | 422407 | ARM | DIFFERENTIAL MECHANISM FORK |
| 93 | 1 | 422408 | SKIFTEARM | SHIFTING BLOCK TB 1 |
| 94 | 1 | 422409 | TANDHJUL | CONNECT BUSHING FOR DIFFERENTIAL MECHAN |
| 95 | 1 | 422410 | TANDHJUL | SPLINE BUSHINGFOR LEFT HALF SHAFT |
| 96 | 1 | 422411 | AKSEL VENSTRE | LEFT HALF SHAFT |
| 97 | 5 | 422412 | LEJE 6205 | BEARING 6205 |
| 98 | 6 | 422413 | SKIVE | ADJUSTING WASHER FOR BEARING |
| 99 | 3 | 422414 | SEEGERRING 52 | CIRCLIP FOR HOLE 52 |
| 100 | 2 | 422415 | PAKDÅSE 25*52*8 | SEALING 25*52*8 |
| 101 | 2 | 422416 | NAVFLANGE | HUB |
| 102 | 2 | 422417 | BØS | HUB BUSHING |
| 103 | 2 | 422418 | LÅSEMØTRIK M20 | SELF-LOCKING NUT M20 |
| 104 | 1 | 422419 | AKSEL | WORM SHAFT(SHAFT ?) |
| 105 | 1 | 422420 | PAKDÅSE 15*40*10 | SEALING 15*40*10 |
| 106 | 1 | 1057032 | FJEDER | SPRING |
| 107 | 1 | 422421 | AKSEL HØJRE | RIGHT HALF SHAFT |
| 108 | 2 | 422422 | LEJE 6202 | BEARING 6202 |
| 109 | 1 | 422423 | AKSEL | SHAFT? |
| 110 | 1 | 422424 | TANDHJUL | MOVING GEAR |
| 111 | 2 | 422425 | SEEGERRING 25 | CIRCLIP FOR SHAFT 25 |
| 112 | 1 | 422426 | SKIVE | GEAR PAD 1 |
| 113 | 1 | 422427 | TANDHJUL | GEAR 38 |
| 114 | 1 | 422428 | SKIVE | GEAR PAD 2 |
| 115 | 1 | 422429 | LEJE 7205B | BEARING 7205B |
| 116 | 1 | 422430 | SKIVE | BEARING PAD |
| 117 | 1 | 422431 | BØS | RANGE GEAR SHIFT FORK BUSHING |
| 118 | 1 | 422432 | ARM | RANGE GEAR SHIFT FORK |
| 119 | 1 | 422433 | STANG | RANGE GEAR SHIFT FORK BAR |
| 120 | 2 | 422434 | FØLER | SHIFTING BLOCK TB 2 |
| 121 | 2 | 422435 | KUGLE | STEEL BALL 6.35 |
| 122 | 1 | 422436 | FJEDER | MAIN LIMIT SPRING |
| 123 | 1 | 422437 | BOLT M12X17 | MAIN LIMIT BOLT M12*17 |
| 124 | 1 | 422438 | STANG | ACCESSAARY CLUTCH FORK BAR |

| POS | QTY | PARTNUMBER | BESKRIVELSE | DESCRIPTION |
|-----|-----|------------|------------------|--|
| 125 | 2 | 422321 | BOLT M6X30 | HEXAGON BOLT M6*30 |
| 126 | 1 | 422398 | FJEDERSKIVE 6 | SPRING WASHER 6 |
| 127 | 2 | 422439 | LEJE 607 | BEARING 607 |
| 128 | 1 | 422440 | ARM | ACESAARY CLUTCH FORK |
| 129 | 1 | 422441 | TANDHJUL | ACCEAARY CUTCH BUSHING |
| 130 | 1 | 422442 | PAKDÅSE 120*35*7 | SEALING 120*35*7 |
| 131 | 1 | 422443 | LEJE 6204 | BEARING 6204 |
| 132 | 1 | 422444 | ARM | RANGE GEAR SHIFT FORK |
| 133 | 1 | 422445 | BØS | BUSHING FOR RANGE GEAR SHIFT FORK |
| 134 | 1 | 422446 | LEJE 16*24*5 | BEARING 16*24*5 |
| 135 | 1 | 422447 | GEAR | MOVING GEAR ON SHAFT ? |
| 136 | 1 | 422448 | GEAR | GEAR 30 |
| 137 | 1 | 422449 | AKSEL | SHAFT ? |
| 138 | 1 | 422450 | FJEDER | SPRING FOR ACCEAARY CUTCH BUSHING |
| 139 | 4 | 422451 | BOLT M6*45 | HEXAGON BOLT M6*45 |
| 140 | 1 | 422452 | SKÅL VENSTRE | DIFFERENTIAL MECHANISM LEFT COVER |
| 141 | 2 | 422453 | TANDHJUL | BIG BEVAL GEAR IN DIFFERENTIAL MECHANISM |
| 142 | 2 | 422454 | TANDHJUL | SMALL BEVAL GEAR IN DIFFERENTIAL MECHANISM |
| 143 | 1 | 422455 | AKSEL | SHAFT IN DIFFERENTIAL MECHANISM |
| 144 | 1 | 422456 | TANDHJUL | WORM IN DIFFERENTIAL MECHANISM |
| 145 | 1 | 422457 | SKÅL HØJRE | DIFFERENTIAL MECHANISM RIGHT COVER |
| 146 | 5 | 422386 | SKIVE 6 | BIG WASHER 6 |

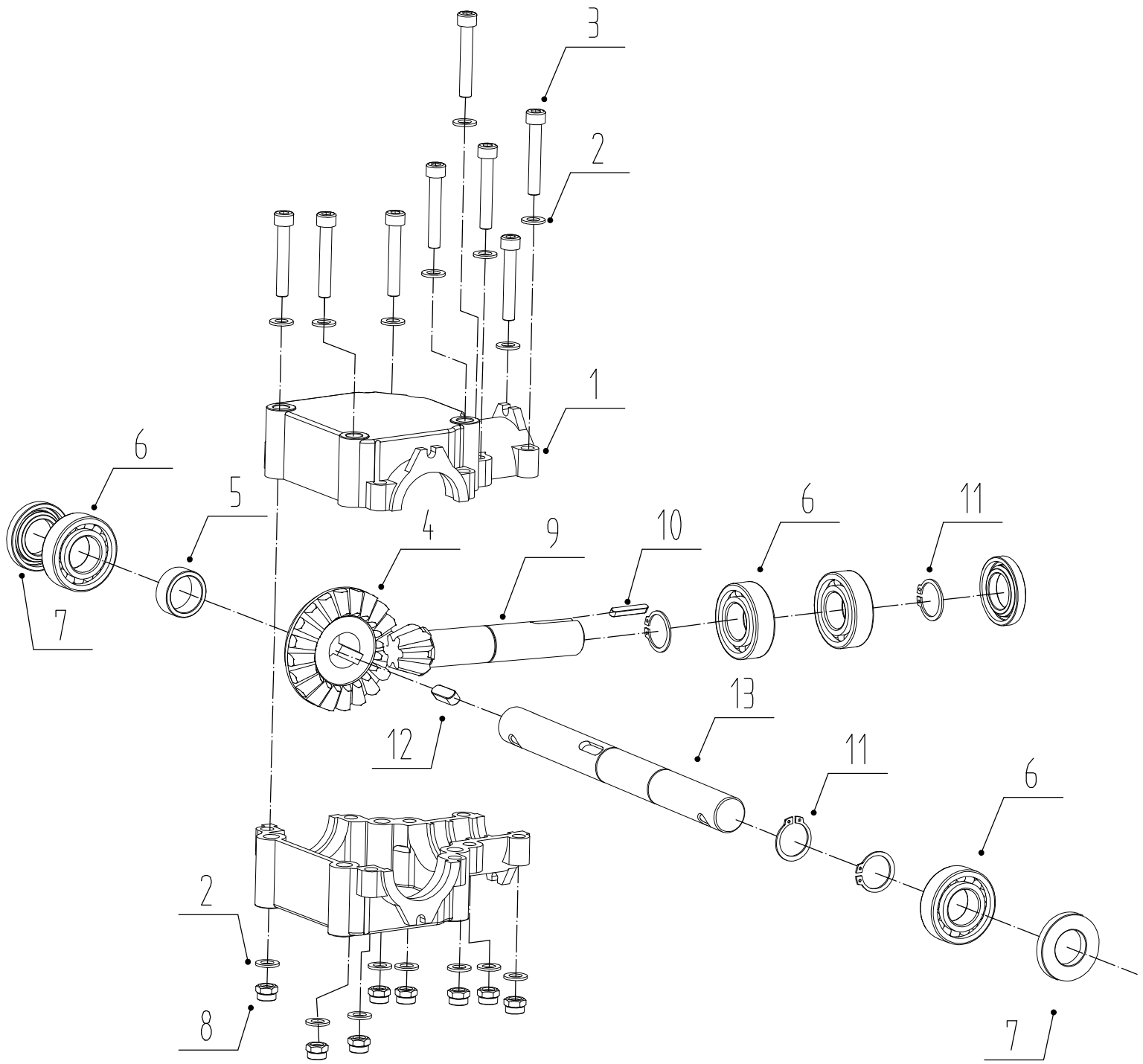


| POS | QTY | PARTNUMBER | BESKRIVELSE | DESCRIPTION |
|-----|-----|------------|----------------------|--|
| 24 | 1 | 422458 | BØS 16*8.5*15 | BUSHING ?16*?8.5*15 |
| 31 | 8 | 422347 | SKIVE 8 | WAHSER 8 |
| 47 | 5 | 422364 | BOLT M8X45 | HEXAGON BOLT M8*45 (GRADE 8.8) |
| 147 | 1 | 422459 | PINBOLT | STUD |
| 148 | 1 | 422460 | LÅSERING | OPEN LOCK CIRCLIP12 |
| 149 | 1 | 422461 | HUS | BACK COVER OF MAIN GEARBOX |
| 151 | 1 | 422462 | GEAR | FIXING GEAR FOR REVERSE |
| 152 | 1 | 422463 | AKSEL | FIXING GEAR SHAFT FOR REVERSE |
| 153 | 1 | 422464 | PLADE | FIXING GEAR PLATE FOR REVERSE |
| 154 | 1 | 422465 | LÅSEMØTRIK FLANGE M8 | HEX FLANGE FACE LOCKING NUT M8 |
| 155 | 1 | 422466 | GEAR | MIDDLE COVER OF MAIN GEARBOX |
| 156 | 1 | 422467 | TÆTNINGSRING | WASHER FOR OIL PLUG |
| 157 | 1 | 422468 | OLIEPROP M12X1.5 | OIL PLUG M12*1.5 |
| 158 | 1 | 422469 | MANCHET | CLUTCH LEVEL |
| 159 | 1 | 422470 | STANG TIL KOBLING | BUSHING FOR CLUTCH LEVEL |
| 161 | 1 | 422471 | KABELHOLDER | ARM FOR CLUTCH CABLE FIXED |
| 162 | 1 | 422472 | DØLLE | CLUTCH CABLE FIXING HEAD |
| 163 | 2 | 422473 | SKRUE M5*8 | CONCAVE END SET SCREW M5*8 |
| 64 | 2 | 422380 | FJEDERSKIVE 8 | SPRING WASHER 8 |
| 44 | 2 | 422361 | BOLT M8X30 | HEXAGON BOLT M8*30 (GRADE 8.8) |
| 164 | 1 | 422474 | O-RING | O-RINGS |
| 165 | 1 | 422475 | OLIEPIND | DIPSTICK |
| 166 | 1 | 422476 | OLIEPROP | DIPSTICK COVER |
| 167 | 1 | 425268 | QUICK KOBLING | |
| 168 | 2 | 422477 | SKIVE 12 | WASHER 12 |
| 169 | 2 | 422478 | FJEDERSKIVE 12 | SPRING WASHER 12 |
| 170 | 2 | 422479 | BOLT M12X35 | HEXAGON BOLT M12*35 |
| 171 | 1 | 422480 | KOBLINGSHUS | QUICKLY CONNECT OUTSIDE BUSHING |
| 172 | 1 | 422481 | NIPPEL | OIL PLUG M8 |
| 173 | 1 | 422482 | AKSEL | LOCATED PIN |
| 174 | 1 | 422483 | FJEDER | PRESSING SPRING FOR QUICKLY CONNECT |
| 175 | 1 | 422484 | BØS | STEP BUSHING FOR QUICKLY CONNECT |
| 176 | 1 | 422485 | PIN 4*16 | ELASTIC PIN 4*16 |
| 177 | 1 | 422486 | GREB | LOCKING HANDLEBAR FOR QUICKLY CONNECT |
| 178 | 1 | 422487 | KOBLINGSKABEL | MAIN CLUTCH CABLE |

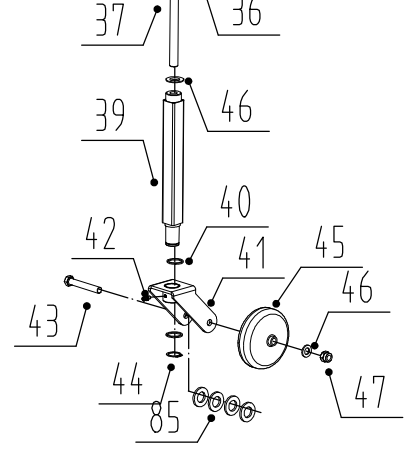
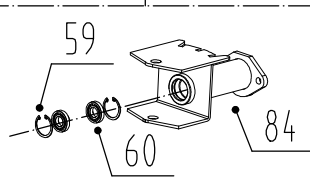
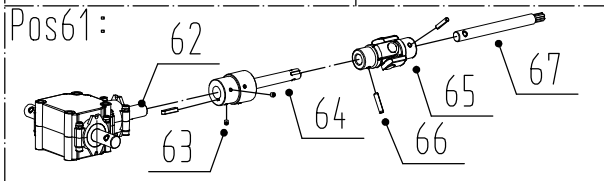
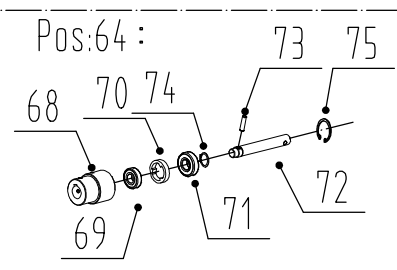
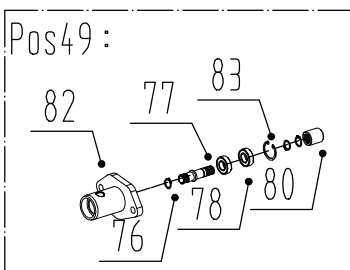
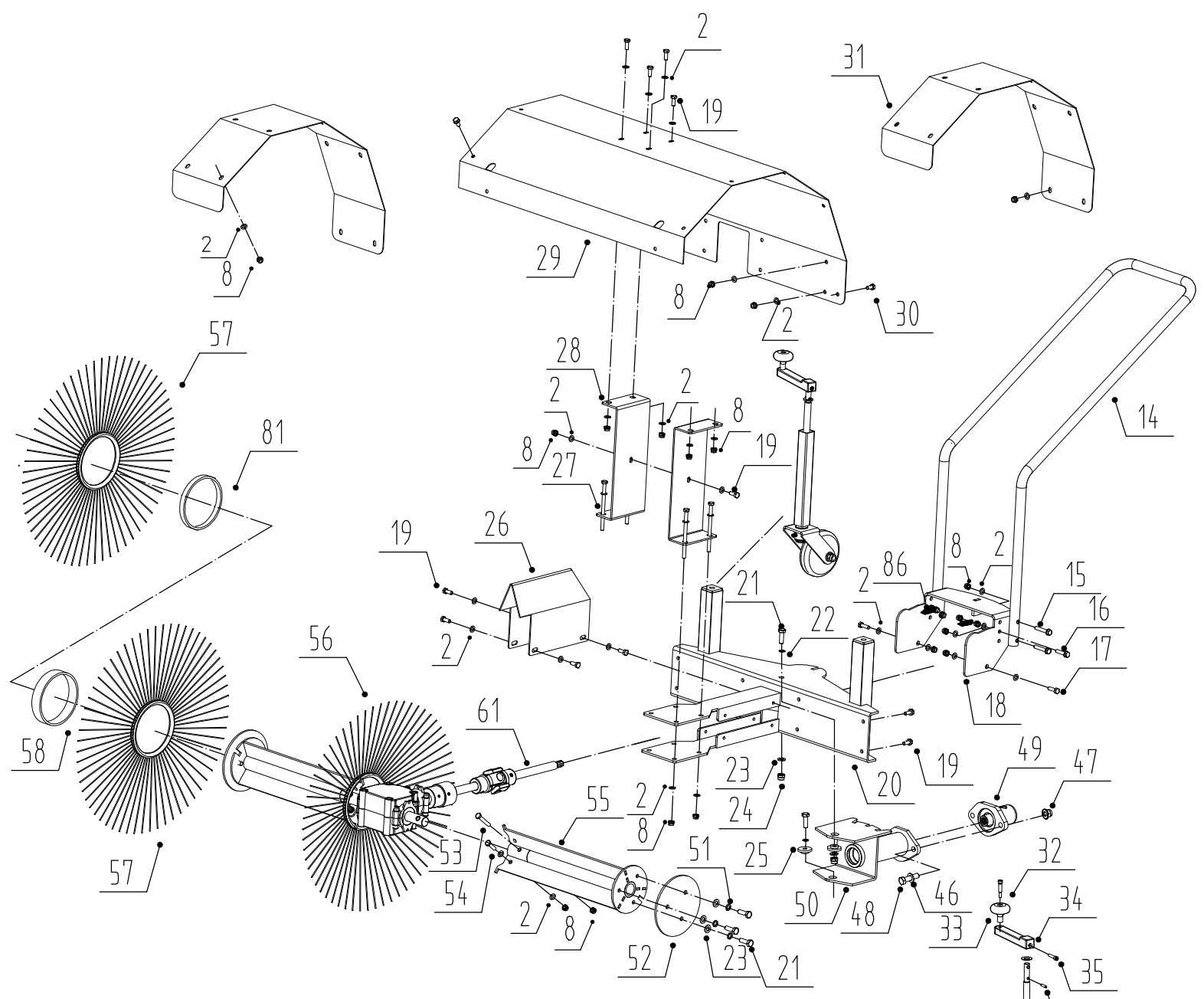


| POS | QTY | PARTNUMBER | BESKRIVELSE | DESCRIPTION |
|-----|-----|------------|-------------------------|------------------------------------|
| 211 | 1 | 422488 | LEJE 51204 | BEARING 51204 |
| 179 | 1 | TG920ES-1 | POWERLINE TG920ES | |
| 181 | 1 | 422490 | CHASSIS BENZIN | PRO950GASLINE ENGINE SHELF |
| 183 | 4 | 422491 | BOLT M10X40 | HEXAGON BOLT M10*40 (GRADE 8.8) |
| 20 | 8 | 422336 | SKIVE 10 | WASHER 10 |
| 184 | 12 | 422492 | LÅSEMØTRIK M10 | SELF-LOCKING NUT M20 |
| 185 | 1 | 422493 | KOBLING KPL. | MAIN CLUTCH ASSEMBLING |
| 186 | 1 | 422494 | LEJE 6004HRB | BEARING 6004HRB |
| 187 | 1 | 422495 | LÅS FOR LEJE | PRESSING PIECE FOR BEARING |
| 188 | 1 | 422496 | FLANGE | CONNECTING FLANGE FOR PRO950 |
| 189 | 8 | 422379 | BOLT M8X40 | HEXAGON BOLT M8*40 (GRADE 8.8) |
| 64 | 9 | 422380 | FJEDERSKIVE 8 | SPRING WASHER 8 |
| 190 | 2 | 422497 | HJUL KOMPLET | WHEEL FOR PRO950 |
| 191 | 2 | 422498 | HJULFLANGE | WHEEL CONNECTING FLANGE FOR PRO950 |
| 62 | 8 | 422378 | BOLT M10*25 | HEXAGON BOLT M10*25 (GRADE 8.8) |
| 20 | 8 | 422336 | SKIVE 10 | WASHER 10 |
| 168 | 8 | 422499 | BOLT M12X30 | HEXAGON BOLT M12*30 (GRADE 8.8) |
| 171 | 8 | 422478 | FJEDERSKIVE 12 | SPRING WASHER 12 |
| 193 | 8 | 422500 | BOLT M6X30 M6X30 | HEXAGON SOCKET CAP SCREW M6*30 |
| 126 | 4 | 422398 | FJEDERSKIVE 6 | SPRING WASHER 6 |
| 195 | 1 | 422502 | HOLDER BATTERI BENZIN | BATTERY SUPPORT FOR GASLINE ENGINE |
| 196 | 1 | 422503 | BATTERI DIESEL 12V/36AH | BATTERY 12V/36AH |
| 198 | 1 | 422505 | HOLDER BATTERI TOP | TOP PLATE |
| 199 | 2 | 422506 | BOLT M8X220 | HEXAGON BOLT M8*220 (GRADE 8.8) |
| 31 | 5 | 422347 | SKIVE 8 | WAHSER 8 |
| 18 | 2 | 422334 | LÅSEMØTRIK M8 | SELF-LOCKING NUT M8 |
| 200 | 2 | 422358 | UNBRAKOBOLT M6X20 | HEXAGON SOCKET CAP SCREW M6*20 |
| 201 | 1 | 422507 | SKÆRM | MAIN BIG COVER |
| 202 | 1 | 422508 | HOLDER | UPPER COVER FOR MAIN CLUTCH |
| 203 | 1 | 422509 | DÆKSEL | CONE SHAPE PIECE |
| 204 | 1 | 422510 | LÅG | BEARING BASE |
| 205 | 1 | 422511 | FJEDER | PRESSING SPRING FOR MAIN CLUTCH |
| 206 | 1 | 422512 | KNAP | STOCK FOR MAIN CLUTCH |
| 207 | 1 | 422513 | SKÅL | FRICTION PLATE FOR MAIN CLUTCH |
| 208 | 1 | 422514 | DÆKSEL | LOWER COVER FOR MAIN CLUTCH |
| 209 | 1 | 422515 | SKRUE M8X25 | HEXAGON SOCKET CAP SCREW M8*25 |

| POS | QTY | PARTNUMBER | BESKRIVELSE | DESCRIPTION |
|-----|-----|------------|------------------------------|---|
| 210 | 4 | 422516 | SKRUE M8X40 | HEXAGON SOCKET CAP SCREW M8*40 |
| 212 | 1 | 422517 | START KONTAKT | ELECTRIC START SWITCH |
| 214 | 1 | 422519 | LEDNINGSNET BENZIN BENZIN | SWITCH CONNECT WIRE FOR GASLINE ENGINE |
| 215 | 1 | 422536 | LEDNING PLUS | POSITIVE CONNECTION WIRE |
| 216 | 1 | 422537 | LEDNING MINUS | NEGATIVE CONNECTION WIRE |
| 217 | 1 | 422538 | BOLT M8X16 | HEXAGON BOLT M8*16 |

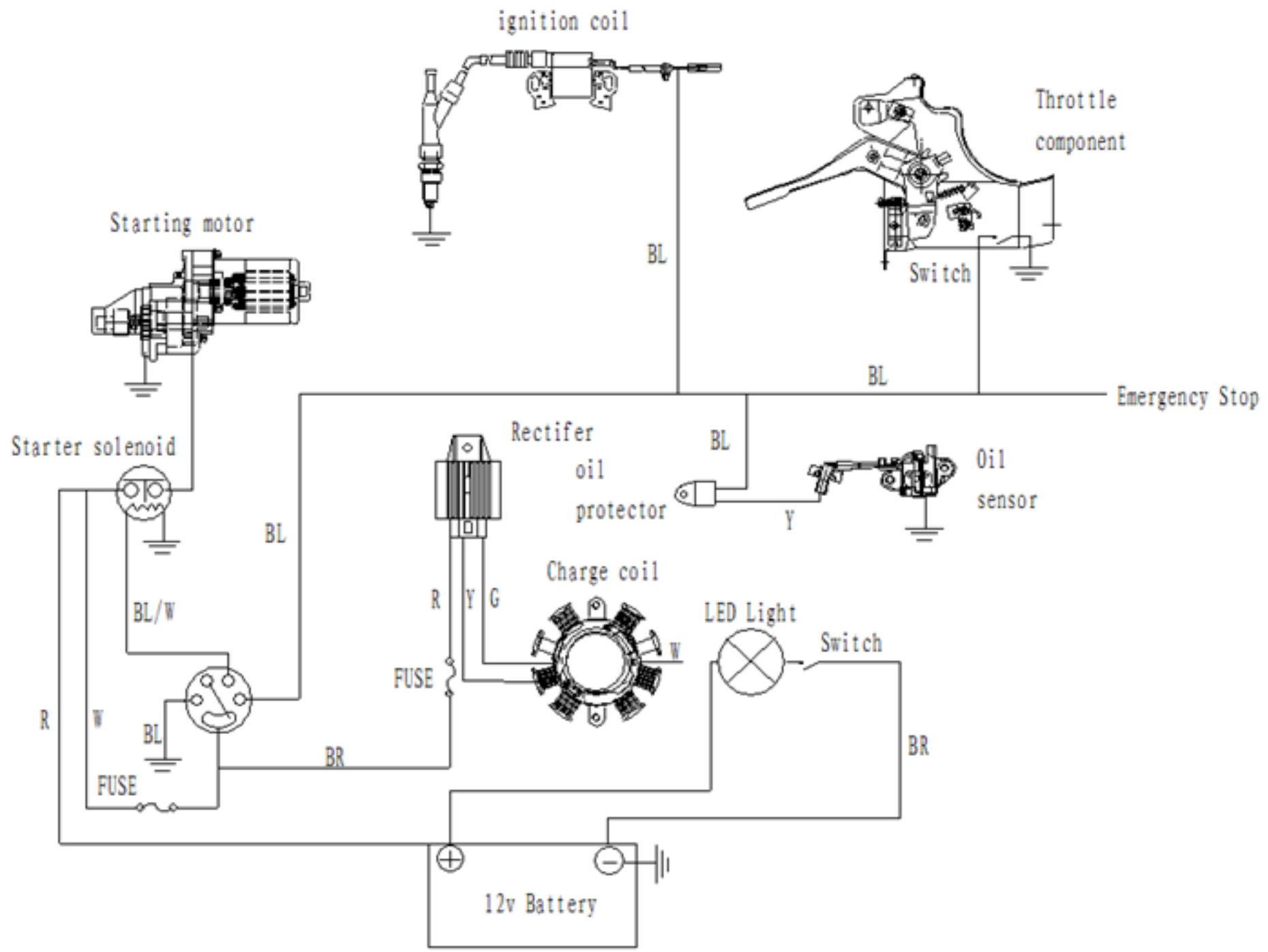


| POS | QTY | PARTNUMBER | BESKRIVELSE | DESCRIPTION |
|-----|-----|------------|------------------------|--------------------------------|
| 1 | 2 | 422602 | GEARHUS | GEARBOX COVER |
| 2 | 16 | 422347 | SKIVE 8 | WAHSER 8 |
| 3 | 8 | 422603 | SKRUE M8*50 | HEXAGON SOCKET CAP SCREW M8*50 |
| 4 | 1 | 422604 | KRONHJUL | BEVEL GEAR |
| 5 | 1 | 422605 | BØSNING 32.5*25.5*13.5 | BUSHING?32.5*?25.5*13.5 |
| 6 | 4 | 422412 | LEJE 6205 | BEARING 6205 |
| 7 | 3 | 422606 | PAKDÅSE | OIL SEALING |
| 8 | 8 | 422334 | LÅSEMØTRIK M8 | SELF-LOCKING NUT M8 |
| 9 | 1 | 422607 | KRONHJULAKSEL | SHAFT I |
| 10 | 1 | 422608 | NOT A8*7*40 | FLAT KEY A8*7*40 |
| 11 | 4 | 422425 | SEEGERRING 25 | CIRCLIP FOR SHAFT 25 |
| 12 | 1 | 422609 | NOT 8*20 | FLAT KEY 8*20 |
| 13 | 1 | 422610 | AKSEL | SHAFT FOR BEVEL GEAR |

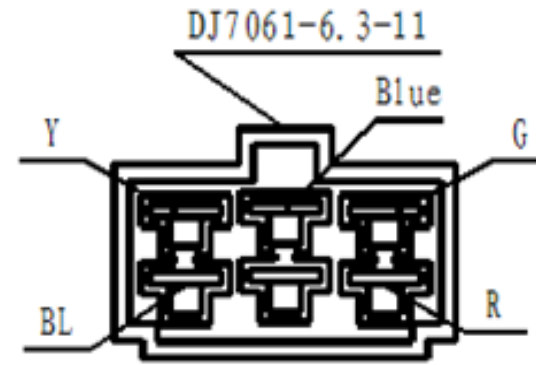


| POS | QTY | PARTNUMBER | BESKRIVELSE | DESCRIPTION |
|-----|-----|------------|---------------------|---------------------------------|
| 2 | 50 | 422347 | SKIVE 8 | WAHSER 8 |
| 8 | 39 | 422334 | LÅSEMØTRIK M8 | SELF-LOCKING NUT M8 |
| 14 | 1 | 422611 | STYRRØR | HANDLEBAR FOR PRO950 SWEEPER |
| 15 | 4 | 422364 | BOLT M8X45 | HEXAGON BOLT M8*45 (GRADE 8.8) |
| 16 | 2 | 422612 | BOLT M8X35 | HEXAGON BOLT M8*35 (GRADE 8.8) |
| 17 | 14 | 422377 | BOLT M8X25 | HEXAGON BOLT M8*25 (GRADE 8.8) |
| 18 | 1 | 422613 | KONSOL STYR | TURNING FORK |
| 19 | 5 | 422614 | BOLT M8X20 | HEXAGON BOLT M8*20 (GRADE 8.8) |
| 20 | 1 | 422615 | CHASSIS | TURNING BRACKET ASSEMBLING |
| 21 | 8 | 422616 | BOLT M10X30 | HEXAGON BOLT M10*30 (GRADE 8.8) |
| 22 | 2 | 422389 | TANDSKIVE YDRE 10 | EXTERNAL TEETH LOCK WASHER 10 |
| 23 | 8 | 422336 | SKIVE 10 | WASHER 10 |
| 24 | 4 | 422492 | LÅSEMØTRIK M10 | SELF-LOCKING NUT M20 |
| 25 | 2 | 422617 | SKIVE | WASHER WITH STEP FOR PRO750 |
| 26 | 1 | 422618 | SKÆRM | PROTECT COVER |
| 27 | 4 | 422619 | BOLT M8X125 | HEXAGON BOLT M8*125 (GRADE 8.8) |
| 28 | 2 | 422620 | HOLDER FOR SKÆRM | MAIN GUARD SUPPORT |
| 29 | 1 | 422621 | SKÆRM 100CM | MAIN GUARD |
| 30 | 10 | 422538 | BOLT M8X16 | HEXAGON BOLT M8*16 |
| 31 | 2 | 422622 | SIDESKÆRM | SIDE GUARD |
| 32 | 2 | 422623 | PIN | FIXING PIN FOR WHEEL ADJUST |
| 33 | 2 | 422624 | GREB | KNOB |
| 34 | 2 | 422625 | BESLAG | KNOB SUPPORT |
| 35 | 2 | 422500 | BOLT M6X30 M6X30 | HEXAGON SOCKET CAP SCREW M6*30 |
| 36 | 2 | 422626 | PIN 5*22 | ELASTIC CYLINDRICAL PIN 5*22 |
| 37 | 2 | 422627 | HJULSPINNEL | GUIDE SCREW |
| 39 | 2 | 422628 | RØR FOR HJULSPINNEL | INNER SQUARE TUBE |
| 40 | 4 | 422629 | SKIVE | WASHER 31.5 |
| 41 | 2 | 422630 | HJULGAFFEL | WHEEL SUPPORT |
| 42 | 2 | 422631 | SNØRENIPPEL | OIL PLUG |
| 43 | 2 | 422632 | BOLT M12X80 | HEXAGON BOLT M12*80 (GRADE 8.8) |
| 44 | 2 | 422425 | SEEGERRING 25 | CIRCLIP FOR SHAFT 25 |
| 45 | 2 | 422633 | HJUL | WHEEL |
| 46 | 8 | 422477 | SKIVE 12 | WASHER 12 |
| 47 | 4 | 422634 | LÅSEMØTRIK M12 | SELF-LOCKING NUT M12 |
| 48 | 2 | 422635 | BOLT M12X40 | HEXAGON BOLT M12*40 (GRADE 8.8) |
| 49 | 1 | 422636 | KOBLING | QUICKJOINT ASSEMBLY |
| 50 | 1 | 422637 | GEARHUS | TURNING SHAFT ASSEMBLING |

| POS | QTY | PARTNUMBER | BESKRIVELSE | DESCRIPTION |
|-----|-----|------------|-----------------------|------------------------------------|
| 51 | 6 | 422638 | FJEDERSKIVE 10 | SPRING WASHER 10 |
| 52 | 2 | 422639 | ENDEPLADE | PRESSING PLATE |
| 53 | 2 | 422640 | BOLT M10X50 | HEXAGON BOLT M10*50 (GRADE 8.8) |
| 54 | 2 | 422361 | BOLT M8X30 | HEXAGON BOLT M8*30 (GRADE 8.8) |
| 55 | 2 | 422641 | BØRSTERØR | BRUSH AXIS |
| 56 | 2 | 422642 | VEJFEJERING KUPPET 26 | 26° BURSH FOR PRO950 |
| 57 | 22 | 422643 | VEJFEJERING 13 | 13° BURSH FOR PRO950 |
| 58 | 18 | 422644 | AFSTANDSRING | PVC SPACER BUSH 1 |
| 59 | 2 | 422645 | SEEGERRING 42 | CIRCLIP FOR SHAFT 42 |
| 60 | 2 | 422646 | LEJE 6004 | BEARING 6004 |
| 61 | 1 | 422647 | TRANSMSSION | TRANSMISSION SHAFT 1 |
| 62 | 1 | 422648 | GEAR | GEARBOX ASSEMBLING |
| 63 | 3 | 422649 | SKRUE M8X8 | CONCAVE END SET SCREW M8*8 |
| 64 | 1 | 422650 | KOBLING | ONE-WAY CLUTCH |
| 65 | 1 | 422651 | KARDANLED | CARDAN JOINT |
| 66 | 2 | 422652 | PIN 8X40 | ELASTIC CYLINDRICAL PIN 8*40 |
| 67 | 1 | 422653 | AKSEL | DRIVING SHAFT 1 |
| 68 | 1 | 422654 | KOBLING | ONE-WAY CLUTCH SLEEVE |
| 69 | 1 | 422655 | LEJE 6203 | BEARING 6203 |
| 70 | 1 | 422656 | KRAVE | ONE-WAY CLUTCH SLEEVE |
| 71 | 1 | 422443 | LEJE 6204 | BEARING 6204 |
| 72 | 1 | 422657 | AKSEL | DRAWING SHAFT 2 |
| 73 | 1 | 422658 | PIN 8*30 | CONNECT PIN 8*30 |
| 74 | 1 | 422659 | SEEGERRING 20 | CIRCLIP FOR SHAFT 20 |
| 75 | 1 | 422660 | SEEGERRING 47 | CIRCLIP FOR HOLE 47 |
| 76 | 3 | 422661 | SKIVE | DRIVING SHAFT 2 |
| 77 | 1 | 422662 | AKSEL 8*30 | CONNECT PIN 8*30 |
| 78 | 2 | 422663 | LEJE 6203 | BEARING 6203 |
| 80 | 1 | 422664 | BØS | SPLINE SLEEVE |
| 81 | 2 | 422665 | BØS | PVC SPACER BUSH 2 |
| 82 | 1 | 422666 | KONSOL | INNER SLEEVE FOR QUICKJOINT |
| 83 | 1 | 422667 | SEEGERRING 35 | CIRCLIP FOR HOLE 35 |
| 84 | 1 | 422637 | GEARHUS | TURNING SHAFT ASSEMBLING |
| 85 | 8 | 422668 | SKIVE 12*24*3 | WASHER 12*24*3 |
| 86 | 2 | 422669 | FJEDER | TURNING SPRING |



| | | | |
|----|--------|------|-------------|
| BL | Black | G | Green |
| Y | Yellow | BL/W | Black/White |
| W | White | BR | Brown |
| R | Red | | |



| | | | | | |
|------|-------|--|------|-----|----|
| | BR/W | | BL/W | BL | BL |
| ON | ○—○ | | | | |
| OFF | | | | ○—○ | |
| OPEN | ○—○—○ | | | | |

