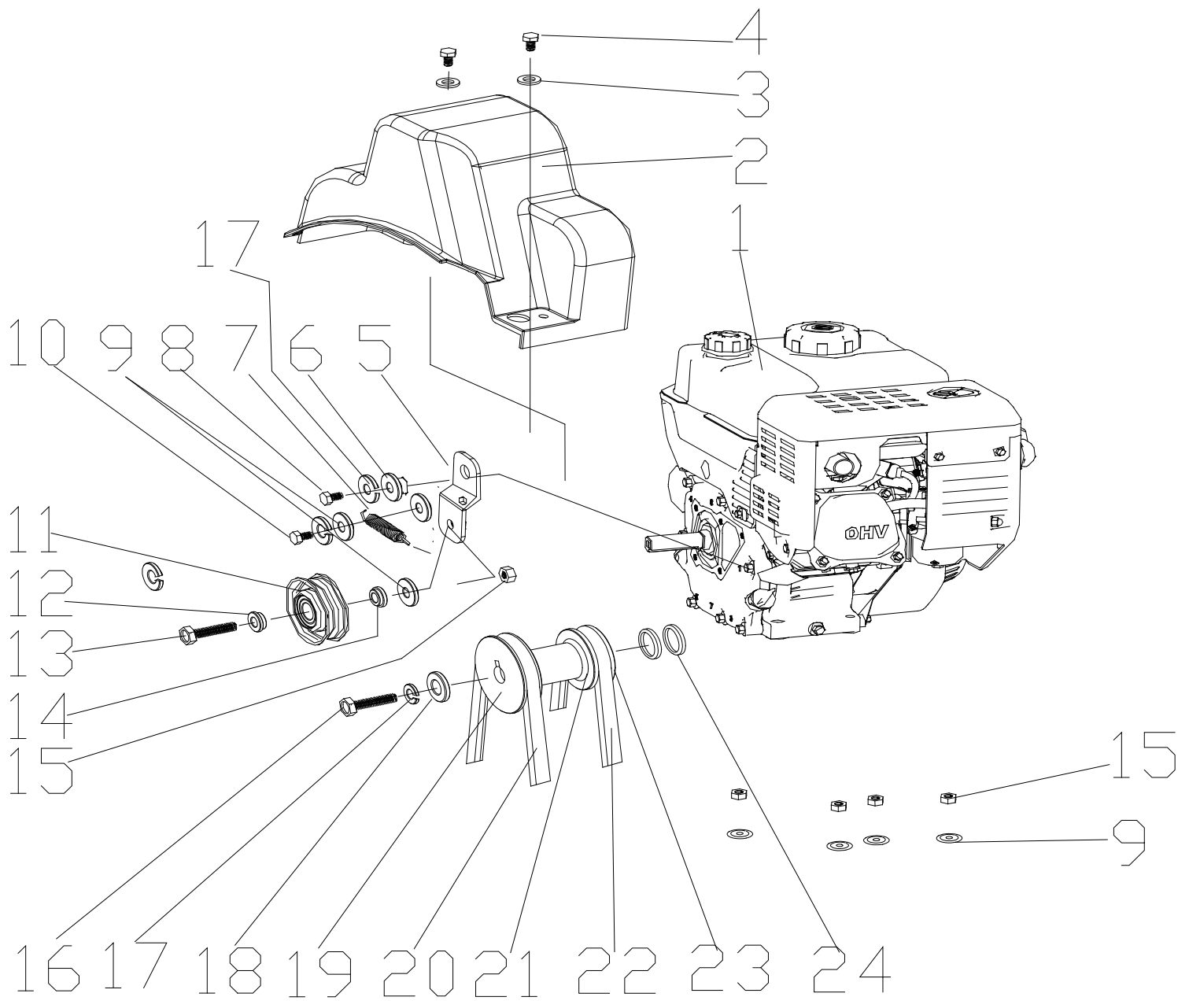
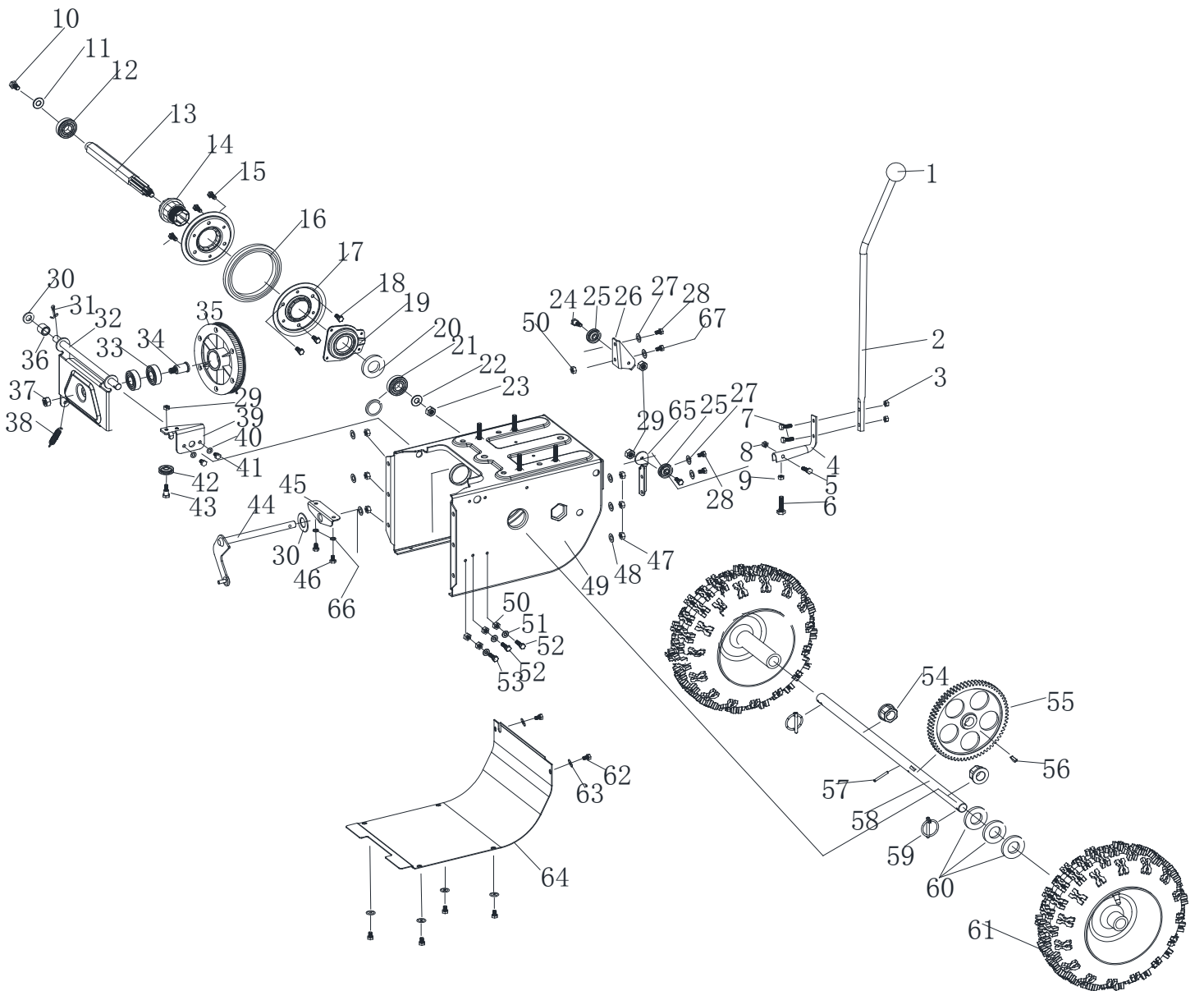


| POS | QTY | PARTNUMBER | BESKRIVELSE | DESCRIPTION |
|-----|-----|------------|-----------------------|----------------------|
| 1 | 1 | 402725 | STYR | HANDELBAR |
| 2 | 2 | 90100692 | LÅSEMØTRIK 8.8 M8 FZ | LOCKING NUT M8 FZ |
| 3 | 2 | 402726 | HÅNDTAG | HANDLE |
| 4 | 2 | 402727 | GUMMIBØS | RUBBER GLAND |
| 5 | 2 | 411550 | SÆTBOLT RUSTFRI M8X45 | BOLT STAINLESS M8X45 |
| 6 | 2 | 402728 | KABELSTRAMMER 8,5CM | CABLE CLAMP |
| 7 | 2 | 410976 | MØTRIK RUSTFRI A4 M5 | STAINLESS NUT M5 |
| 8 | 1 | 402729 | KABEL FREMTRÆK KORT | CABLE |
| 9 | 1 | 402730 | PANEL | PANEL |
| 10 | 3 | 90100691 | LÅSEMØTRIK 8.8 M6 | LOCKING NUT M6 |
| 11 | 6 | 90120090 | BØLGESKIVE M6 | CORRUGATED DISC M6 |
| 12 | 3 | 411529 | SÆTBOLT RUSTFRI M6X35 | BOLT STAINLESS M6X35 |
| 13 | 1 | 403057 | KABEL FOR SNEGL | CABLE |
| 14 | 1 | 90100692 | LÅSEMØTRIK 8.8 M8 FZ | LOCKING NUT M8 FZ |
| 15 | 1 | 90102310 | PLANSKIVE M8 FZ | FACE PLATE M8 FZ |
| 16 | 1 | 402733 | KABELHOLDER | CABLE HOLDER |
| 17 | 1 | 402734 | BØS | BUSHING |
| 18 | 2 | 90102915 | STÅLBOLT 8.8 M8X40 | STEEL BOLT M8X40 |
| 19 | 2 | 402735 | BESLAG FOR STYR | BRACKET |
| 20 | 2 | 411545 | SÆTBOLT RUSTFRI M8X20 | BOLT STAINLESS M8X20 |
| 21 | 2 | 90102310 | PLANSKIVE M8 FZ | FACE PLATE M8 FZ |

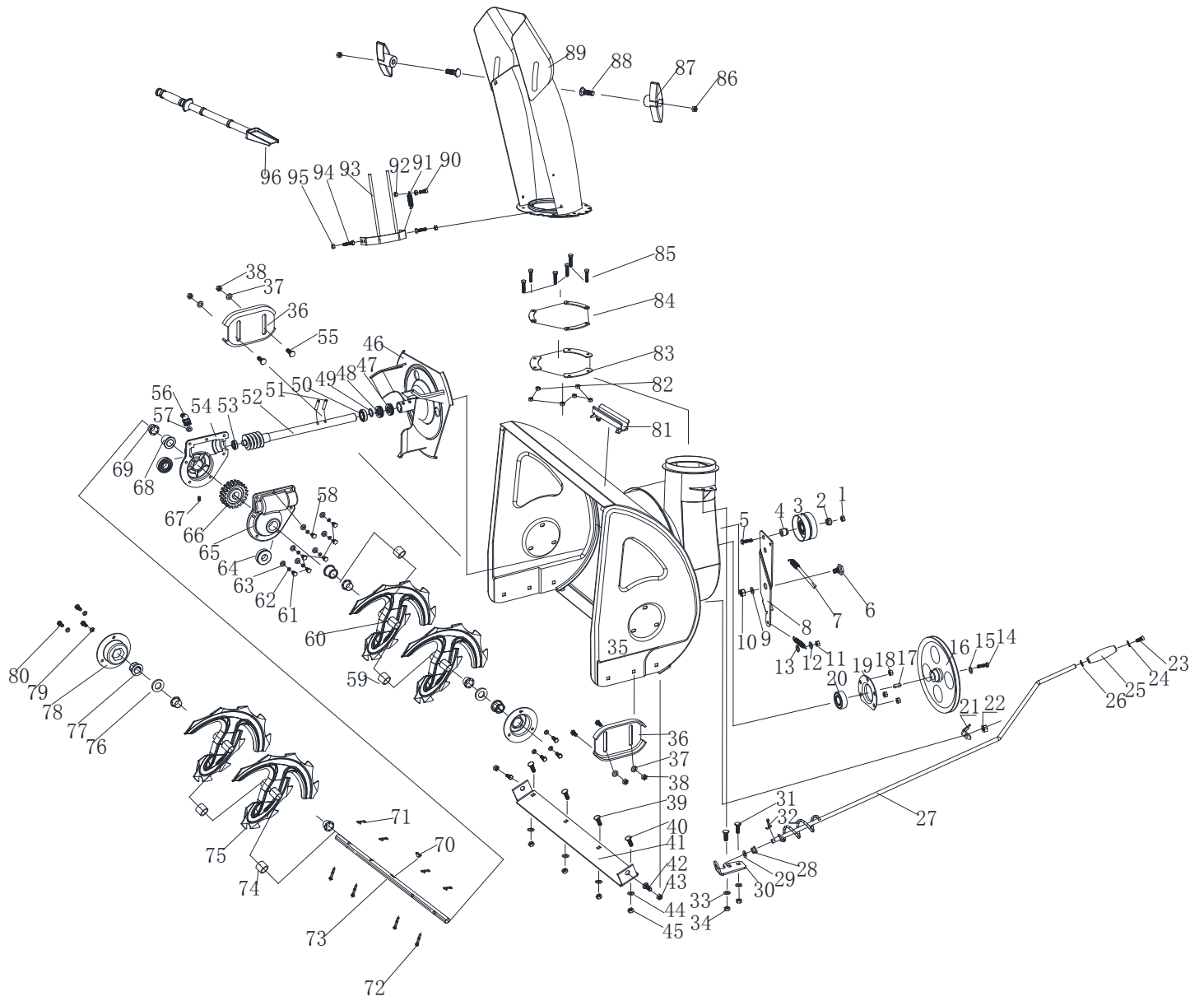


| POS | QTY | PARTNUMBER | BESKRIVELSE | DESCRIPTION |
|-----|-----|--------------|--------------------------------|-------------------------|
| 1 | 1 | 402753 | BENZIN MOTOR 5,5 HK 163CC | ENGINE |
| 2 | 1 | 402754 | DÆKSEL | LID |
| 3 | 2 | 405154 | PLANSKIVE M6 | FACE PLATE M6 |
| 4 | 2 | 11GB292M6X12 | SÆTBOLT 8.8 M6X12 | SET BOLT M6X12 |
| 5 | 1 | 402755 | ARM/BESLAG | LEVER |
| 6 | 1 | 415795 | SKIVE | WASHER |
| 7 | 1 | 415796 | FJEDER 65MM | SPRING 65MM |
| 8 | 1 | 411545 | SÆTBOLT RUSTFRI M8X20 | BOLT STAINLESS M8X20 |
| 9 | 6 | 90102310 | PLANSKIVE M8 FZ | FACE PLATE M8 FZ |
| 10 | 1 | 417982 | STÅLBOLT 8.8 M8X16 | STEEL BOLT M8X16 |
| 11 | 1 | 407577 | STRAMMERULLE KOMPLET | TENSION ROLL |
| 12 | 1 | 402760 | SKIVE | WASHER |
| 13 | 1 | 418290 | STÅLBOLT M8X30 | STEEL BOLT M8X30 |
| 14 | 1 | 415797 | BØS | BUSHING |
| 15 | 5 | 90100692 | LÅSEMØTRIK 8.8 M8 FZ | LOCKING NUT M8 FZ |
| 16 | 1 | 90102912 | STÅLBOLT 8.8 M8X25 | STEEL BOLT M8X25 |
| 17 | 2 | 290500 | FJEDERSKIVE M8 | SPRING COLLAR M8 |
| 18 | 1 | 417911 | SKIVE M8 | WASHER M8 |
| 19 | 1 | 415801 | STRAMMERULLE | TENSION ROLL |
| 20 | 1 | 90308611 | KILEREM 13 X 890 A | V-BELT 13 X 890 A |
| 21 | 1 | 425484 | SKIVE TIL STRAMMERULLE SPECIAL | THE SMALL PULLEY WASHER |
| 22 | 1 | 90301052 | TANDREM 750-5M-15 | BELT 750-5M-15 |
| 23 | 1 | 402761 | REMSKIVE | BELT PULLEY |
| 24 | 2 | 417911 | SKIVE M8 | WASHER M8 |



| POS | QTY | PARTNUMBER | BESKRIVELSE | DESCRIPTION |
|-----|-----|--------------|-----------------------|------------------------|
| 1 | 1 | 425486 | KUGLEGREB | THE GEAR HANDLE BALL |
| 2 | 1 | 402731 | GEARSTANG | HANDLE |
| 3 | 3 | 90100691 | LÅSEMØTRIK 8.8 M6 | LOCKING NUT M6 |
| 4 | 1 | 402732 | BESLAG | BRACKET |
| 5 | 1 | 90102724 | SÆTBOLT 8.8 M6X30 FZ | SET BOLT M6X30 FZ |
| 6 | 1 | 90102724 | SÆTBOLT 8.8 M6X30 FZ | SET BOLT M6X30 FZ |
| 7 | 2 | 400552 | MASKINSKRUE 6X20 | MACHINE SCREW 6X20 |
| 8 | 1 | 90100691 | LÅSEMØTRIK 8.8 M6 | LOCKING NUT M6 |
| 9 | 1 | 861014 | FLANGEMØTRIK M6 FZ | |
| 10 | 1 | 417982 | STÅLBOLT 8.8 M8X16 | STEEL BOLT M8X16 |
| 11 | 3 | 90102310 | PLANSKIVE M8 FZ | FACE PLATE M8 FZ |
| 12 | 1 | 402772 | KUGLELEJE 6203-2RS | BALL BEARING 203 |
| 13 | 1 | 402771 | AKSEL | SHAFT |
| 14 | 1 | 402770 | TANDHJUL | SPROCKET |
| 15 | 3 | 11GB292M6X12 | SÆTBOLT 8.8 M6X12 | SET BOLT M6X12 |
| 16 | 1 | 402769 | GUMMI RING | RUBBER |
| 17 | 2 | 402768 | GEAR | GEAR |
| 18 | 3 | 11GB292M6X12 | SÆTBOLT 8.8 M6X12 | SET BOLT M6X12 |
| 19 | 2 | 402766 | COVER TIL LEJE | BEARING |
| 20 | 1 | 425487 | LÅSERING | SHAFT CIRCLIP |
| 21 | 1 | 402772 | KUGLELEJE 6203-2RS | BALL BEARING 203 |
| 22 | 1 | 90102311 | PLANSKIVE M10.X21.X5. | FACE PLATE M10.X21.X5. |
| 23 | 1 | 420641 | LÅSEMØTRIK M10 | HEXAGON LOCK NUT M10 |
| 24 | 2 | 415786 | BOLT SPECIAL | BOLT |
| 25 | 2 | 402737 | HJUL WIRE | WHEEL |
| 26 | 1 | 402738 | BESLAG | BRACKET |
| 27 | 2 | 405154 | PLANSKIVE M6 | FACE PLATE M6 |
| 28 | 2 | 11GB292M6X12 | SÆTBOLT 8.8 M6X12 | SET BOLT M6X12 |
| 29 | 3 | 861014 | FLANGEMØTRIK M6 FZ | |
| 30 | 2 | 415813 | PLANSKIVE M13 FZ | FACE PLATE M13 FZ |
| 31 | 1 | 415811 | PINBOLT 2.5X35 | PIN BOLT |
| 32 | 1 | 402779 | BESLAG | BRACKET |
| 33 | 2 | 415844 | KUGLELEJE 904 | BALL BEARING 904 |
| 34 | 1 | 402776 | BOLT SPECIAL | BOLT |
| 35 | 1 | 422021 | TANDREMSKIVE | BELT WHEEL |
| 36 | 1 | 402778 | BØS | BUSHING |
| 37 | 1 | 420641 | LÅSEMØTRIK M10 | HEXAGON LOCK NUT M10 |
| 38 | 1 | 415812 | FJEDER | SPRING |
| 39 | 1 | 402775 | MONTERINGSPLADE | ASSEMBLY PLATE |
| 40 | 2 | 405154 | PLANSKIVE M6 | FACE PLATE M6 |
| 41 | 2 | 11GB292M6X12 | SÆTBOLT 8.8 M6X12 | SET BOLT M6X12 |
| 42 | 1 | 402737 | HJUL WIRE | WHEEL |
| 43 | 1 | 415786 | BOLT SPECIAL | BOLT |
| 44 | 1 | 402781 | GEARARM | GEAR LEVER |
| 45 | 1 | 402780 | BESLAG | BRACKET |
| 46 | 2 | 11GB292M6X12 | SÆTBOLT 8.8 M6X12 | SET BOLT M6X12 |
| 47 | 6 | 90100692 | LÅSEMØTRIK 8.8 M8 FZ | LOCKING NUT M8 FZ |
| 48 | 6 | 90102310 | PLANSKIVE M8 FZ | FACE PLATE M8 FZ |
| 49 | 1 | 402764 | CHASSIS BASE | CHASSIS |
| 50 | 4 | 861014 | FLANGEMØTRIK M6 FZ | |

| POS | QTY | PARTNUMBER | BESKRIVELSE | DESCRIPTION |
|-----|-----|--------------|-----------------------|----------------------|
| 51 | 3 | 405154 | PLANSKIVE M6 | FACE PLATE M6 |
| 52 | 2 | 411528 | SÆTBOLT RUSTFRI M6X30 | BOLT STAINLESS M6X30 |
| 53 | 1 | 90102729 | SÆTBOLT 8.8 M6X20 FZ | SET BOLT M6X20 FZ |
| 54 | 2 | 402743 | BØS | BUSHING |
| 55 | 1 | 402742 | GEARHJUL | GEAR WHEEL |
| 56 | 2 | 417936 | NOT 5X7.5X19 | KEY |
| 57 | 1 | 410164 | RØRSTIFT 4X30 | PIPE PIN 4.4X30 |
| 58 | 1 | 402744 | AKSEL | SHAFT |
| 59 | 2 | 402736 | LÅSESPLIT | LOCKING COTTER |
| 60 | 3 | 90102316 | PLANSKIVE M19 FZ | FACE PLATE M19 FZ |
| 61 | 2 | 402740 | HJUL KOMPLET | WHEEL 4.10-6 |
| 62 | 6 | 11GB292M6X12 | SÆTBOLT 8.8 M6X12 | SET BOLT M6X12 |
| 63 | 6 | 405154 | PLANSKIVE M6 | FACE PLATE M6 |
| 64 | 1 | 402746 | SKJOLD | SHIELD |
| 65 | 1 | 402739 | BESLAG | BRACKET |



| POS | QTY | PARTNUMBER | BESKRIVELSE | DESCRIPTION |
|-----|-----|------------|-----------------------|----------------------------|
| 1 | 1 | 90100692 | LÅSEMØTRIK 8.8 M8 FZ | LOCKING NUT M8 FZ |
| 2 | 1 | 402760 | SKIVE | WASHER |
| 3 | 1 | 415817 | STRAMMERULLE | TENSION ROLL |
| 4 | 1 | 402791 | BØS | BUSHING |
| 5 | 1 | 411550 | SÆTBOLT RUSTFRI M8X45 | BOLT STAINLESS M8X45 |
| 6 | 1 | 402787 | BOLT | BOLT |
| 7 | 1 | 402788 | FJEDER | SPRING |
| 8 | 1 | 402789 | MONTERINGSPLADE | ASSEMBLY PLATE |
| 9 | 2 | 90102311 | PLANSKIVE M10.X21.X5. | FACE PLATE M10.X21.X5. |
| 10 | 1 | 420641 | LÅSEMØTRIK M10 | HEXAGON LOCK NUT M10 |
| 11 | 1 | 90100692 | LÅSEMØTRIK 8.8 M8 FZ | LOCKING NUT M8 FZ |
| 12 | 2 | 90102310 | PLANSKIVE M8 FZ | FACE PLATE M8 FZ |
| 13 | 1 | 402757 | FJEDER | SPRING |
| 14 | 1 | 411545 | SÆTBOLT RUSTFRI M8X20 | BOLT STAINLESS M8X20 |
| 15 | 1 | 90102310 | PLANSKIVE M8 FZ | FACE PLATE M8 FZ |
| 16 | 1 | 402783 | REMHJUL | BELT WHEEL |
| 17 | 1 | 402784 | NOT M6X6X17 | NUT M6 |
| 18 | 3 | 90100692 | LÅSEMØTRIK 8.8 M8 FZ | LOCKING NUT M8 FZ |
| 19 | 1 | 402785 | NAV | HUB |
| 20 | 1 | 402786 | SPÆNDERINGSLEJE | WASHER BEARING |
| 21 | 1 | 415854 | BESLAG | BRACKET |
| 22 | 1 | 90100692 | LÅSEMØTRIK 8.8 M8 FZ | LOCKING NUT M8 FZ |
| 23 | 1 | 425490 | TAPITIT 6X10 | CROSS HEAD SCREW |
| 24 | 1 | 405154 | PLANSKIVE M6 | FACE PLATE M6 |
| 25 | 1 | 402748 | HÅNDTAG 8 CM | HANDLE |
| 26 | 1 | 90102311 | PLANSKIVE M10.X21.X5. | FACE PLATE M10.X21.X5. |
| 27 | 1 | 402749 | STANG | ROD |
| 28 | 1 | 402750 | PLASTIKBØS | BUSHING |
| 29 | 1 | 90102311 | PLANSKIVE M10.X21.X5. | FACE PLATE M10.X21.X5. |
| 30 | 1 | 402751 | BESLAG | BRACKET |
| 31 | 2 | 425492 | BOLT 8X18 | CUP HEAD SQUARE NECK SCREW |
| 32 | 1 | 410210 | SPLIT 2.0X25 | COTTER 2.0X25 |
| 33 | 1 | 90102310 | PLANSKIVE M8 FZ | FACE PLATE M8 FZ |
| 34 | 2 | 90100692 | LÅSEMØTRIK 8.8 M8 FZ | LOCKING NUT M8 FZ |
| 35 | 1 | 402801 | SNEGLEHUS SB560 | CHASSIS |
| 36 | 2 | 402802 | SLÆBESKO | DRAG SHOE |
| 37 | 4 | 90102310 | PLANSKIVE M8 FZ | FACE PLATE M8 FZ |
| 38 | 4 | 90100692 | LÅSEMØTRIK 8.8 M8 FZ | LOCKING NUT M8 FZ |
| 39 | 2 | 90102741 | SÆTBOLT 8.8 M8X16 FZ | SET BOLT M8X16 FZ |
| 40 | 2 | 90102743 | SÆTBOLT 8.8 M8X20 FZ | SET BOLT M8X20 FZ |
| 41 | 1 | 402803 | BUNDBESLAG | BRACKET |
| 42 | 2 | 90102741 | SÆTBOLT 8.8 M8X16 FZ | SET BOLT M8X16 FZ |
| 43 | 2 | 90100692 | LÅSEMØTRIK 8.8 M8 FZ | LOCKING NUT M8 FZ |
| 44 | 4 | 90102310 | PLANSKIVE M8 FZ | FACE PLATE M8 FZ |
| 45 | 4 | 90100692 | LÅSEMØTRIK 8.8 M8 FZ | LOCKING NUT M8 FZ |
| 46 | 1 | 402804 | BLÆSEHJUL | FAN |
| 47 | 1 | 415846 | PAKDÅSE | OIL SEAL |
| 48 | 1 | 420859 | LEJE 51104 | BEARING51104 |
| 49 | 1 | 402805 | SKIVE | WASHER |

| POS | QTY | PARTNUMBER | BESKRIVELSE | DESCRIPTION |
|-------|-----|------------|-----------------------------|------------------------|
| 50 | 1 | 415844 | KUGLELEJE 904 | BALL BEARING 904 |
| 51 | 2 | 402806 | STIFT 6X35 | PIN 6X35 |
| 52 | 1 | 402809 | AKSEL | SHAFT |
| 53 | 1 | 420859 | LEJE 51104 | BEARING51104 |
| 54 | 1 | 402814 | HUS HØJRE | HOUSING |
| 55 | 4 | 90102743 | SÆTBOLT 8.8 M8X20 FZ | SET BOLT M8X20 FZ |
| 56 | 1 | 415858 | SMØRENIPPEL | NIPPLE |
| 57 | 1 | 415857 | PAKNING | GASKET |
| 58 | 1 | 403842 | BOLT M6X25 | BOLT M6X25 |
| 59 | 2 | 415859 | BØS | BUSHING |
| 60 | 2 | 415840 | SNEGL HØJRE | SCREW |
| 61 | 6 | 90102883 | STÅLBOLT 8.8 M6X20 FZ | STEEL BOLT M6X20 FZ |
| 62 | 7 | 415841 | FJEDERSKIVE M6 | WASHER M6 |
| 63 | 7 | 405154 | PLANSKIVE M6 | FACE PLATE M6 |
| 64 | 2 | 417934 | OLIETÆTNINGSRING 30X19X7 | OIL SEAL RING 30X19X7 |
| 65 | 1 | 402812 | HUS VENSTRE | HOUSING |
| 66 | 1 | 420037 | GEARHJUL | SPROCKET |
| 67 | 1 | 404067 | BOLT M5X25 | BOLT M5X25 |
| 68 | 1 | 402815 | BØS | BUSHING |
| 69 | 2 | 402816 | BØS | BUSHING |
| 70 | 1 | 417936 | NOT 5X7.5X19 | KEY |
| 71 | 4 | 415834 | PAL | RATCHET/PAWL |
| 72 | 4 | 415835 | SIKKERHEDSBOLT | BOLT |
| 73 | 1 | 420036 | AKSEL 56 CM | TUBE |
| 74 | 2 | 415860 | BØS | BUSHING |
| 75 | 2 | 415836 | SNEGL VENSTRE | SCREW |
| 76 | 2 | 90102316 | PLANSKIVE M19 FZ | FACE PLATE M19 FZ |
| 77 | 2 | 402819 | BØS | BUSHING |
| 78 | 2 | 402820 | NAV | HUB |
| 79 | 6 | 90102310 | PLANSKIVE M8 FZ | FACE PLATE M8 FZ |
| 80 | 6 | 415839 | STÅLBOLT M8X10 | STEEL BOLT M |
| 81 | 1 | 415853 | BESLAG | BRACKET |
| 82 | 6 | 90100691 | LÅSEMØTRIK 8.8 M6 | LOCKING NUT M6 |
| 83+84 | 3 | 425065 | BESLAG SÆT | BRACKET |
| 85 | 6 | 90102726 | SÆTBOLT 8.8 M6X16 FZ | SET BOLT M6X16 FZ |
| 86 | 2 | 90100692 | LÅSEMØTRIK 8.8 M8 FZ | LOCKING NUT M8 FZ |
| 87 | 2 | 402794 | HÅNDTAG | HANDLE |
| 88 | 2 | 90100086 | BRÆDDEBOLT 8.8 M8X25 FZ | CARRIAGE BOLT M8X25 FZ |
| 89 | 1 | 402793 | UDKASTERSKÆRM KOMPLET | CHUTE |
| 90 | 1 | 90102726 | SÆTBOLT 8.8 M6X16 FZ | SET BOLT M6X16 FZ |
| 91 | 1 | 417919 | FJEDER 65MN | SPRING 65MN |
| 92 | 2 | 861014 | FLANGEMØTRIK M6 FZ | |
| 93 | 1 | 402795 | BESLAG | BRACKET |
| 94 | 2 | 90102726 | SÆTBOLT 8.8 M6X16 FZ | SET BOLT M6X16 FZ |
| 95 | 2 | 90100691 | LÅSEMØTRIK 8.8 M6 | LOCKING NUT M6 |
| 96 | 1 | 415861 | SNESKOVL | MISCELLANEOUS |