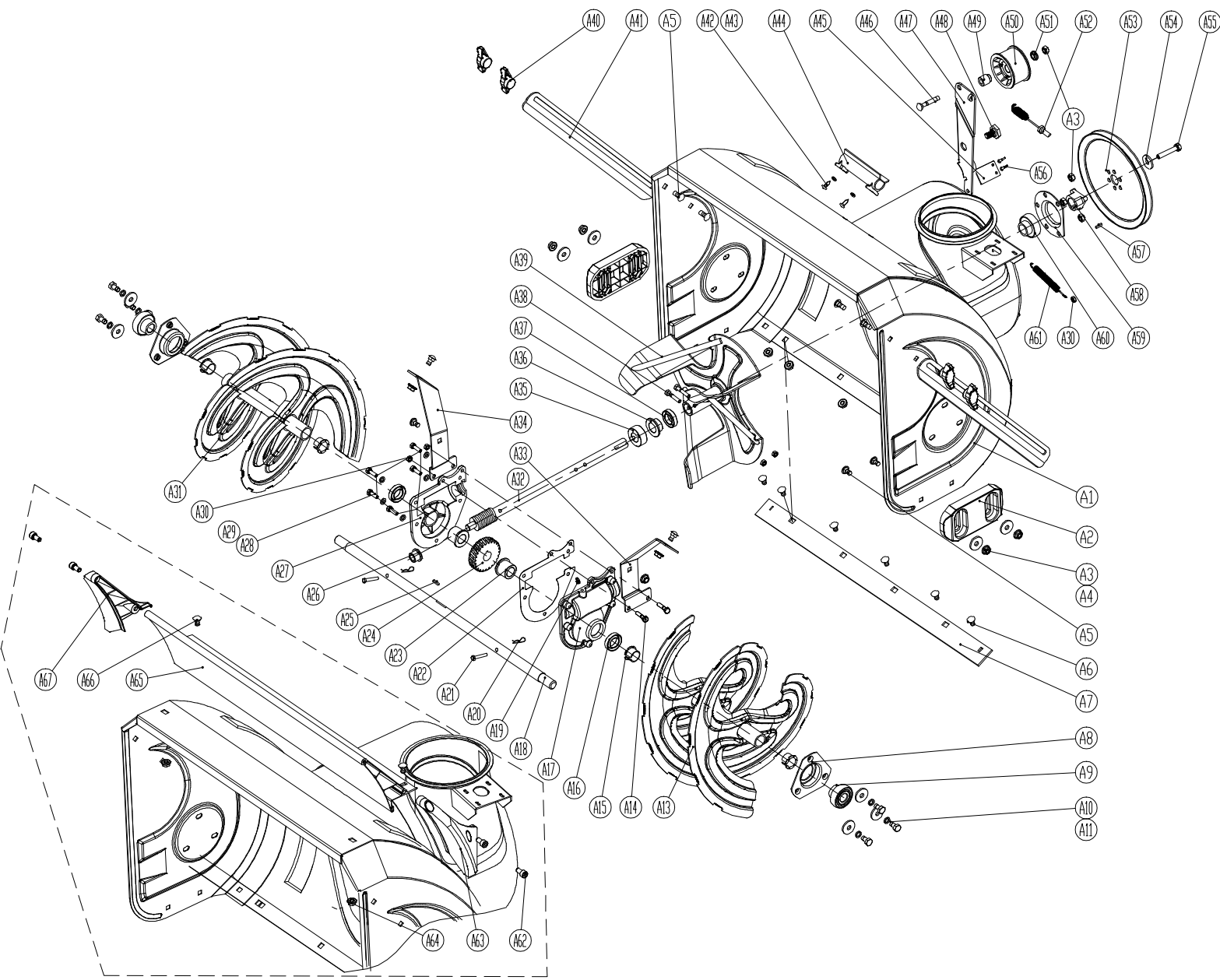
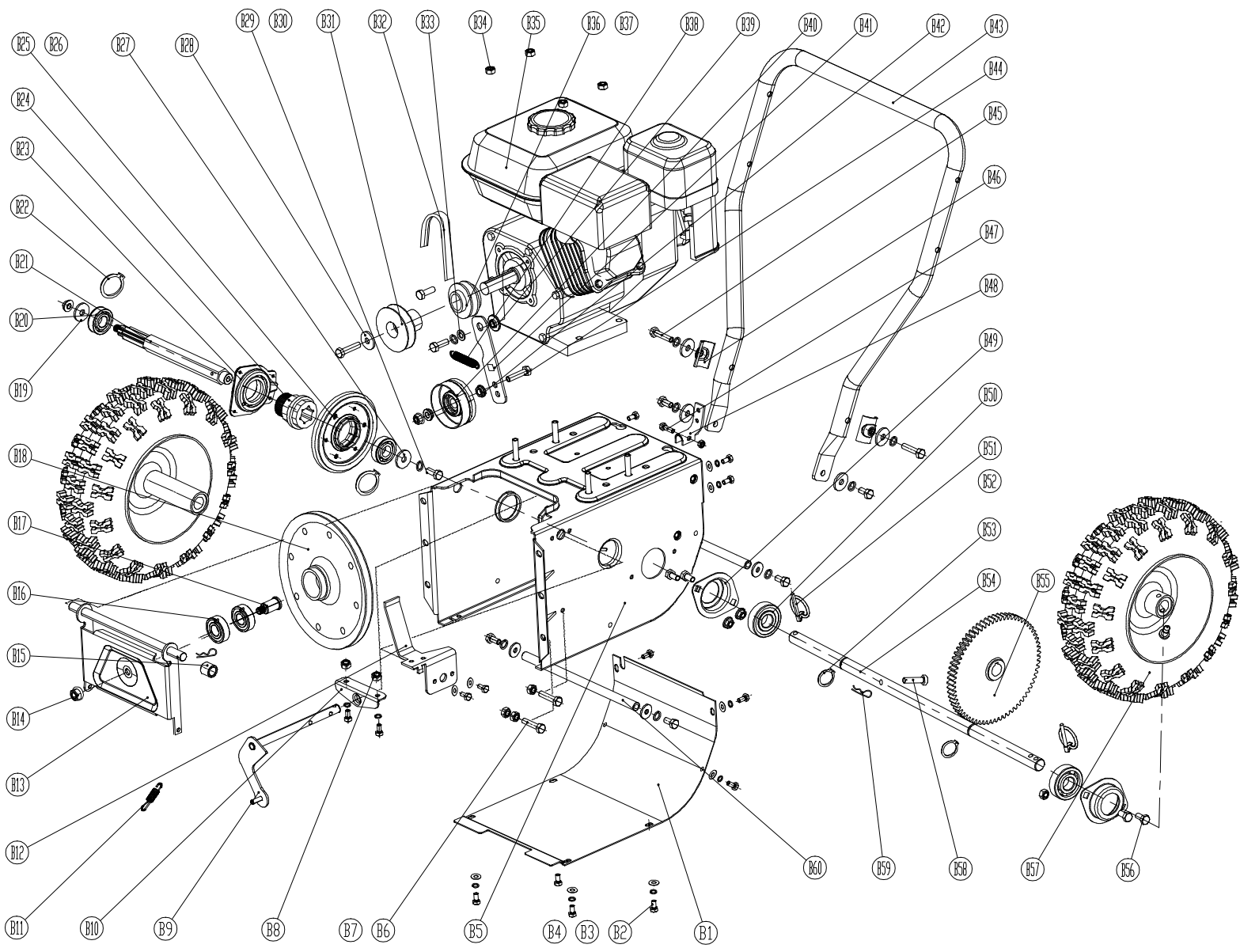


| POS | QTY | PARTNUMBER | BESKRIVELSE      | DESCRIPTION                              |
|-----|-----|------------|------------------|--|
| D1  | 9   | 420614     | LÅSEMØTRIK M8    | HEX FLANG LOCK NUT                       |
| D2  | 1   | 420687     | KARDANLED        | RIGHT ANGLE GIMBAL                       |
| D3  | 1   | 420688     | MØTRIK M8X1      | HEXAGON NUTS,STYLE WITH FINE PITCH THREA |
| D4  | 1   | 420689     | GEAR STANG       | CONNECTING ROD                           |
| D5  | 4   | 420660     | BØS              | PLASTIC NUT HOUSING                      |
| D6  | 4   | 420690     | VINGEMØTRIK      | PLASTIC NUT                              |
| D7  | 2   | 420691     | BESLAG FOR STYR  | ALUMINUM GASKET                          |
| D8  | 4   | 420692     | BRÆDDEBOLT M8X75 | CARRIAGE BOLT M8X75                      |
| D9  | 1   | 420693     | BESLAG           | BRACKET                                  |
| D10 | 3   | 420628     | BOLTSÆT M6X16    | HEXAGON HEAD BOLT ASSEMBLY6X16           |
| D11 | 1   | 420694     | DÆKSEL           | BELT COVER                               |
| D12 | 1   | 420559     | ARM              | BELT BAFFLE                              |
| D13 | 1   | 420557     | BOLT M8X20       | HEXAGON HEAD SCREWS M8X20                |
| D14 | 1   | 420565     | SKIVE M8         | BIG WASHER8                              |
| D15 | 1   | 420695     | UDKASTER         | CHUTE ASSEMBLY                           |
| D16 | 1   | 420696     | FJEDER           | CHUTE SPRING                             |
| D17 | 1   | 420697     | BOLT             | BOLT                                     |
| D18 | 1   | 420698     | UDKASTER SKÆRM   | CHUTE CAP ASSEMBLY                       |
| D19 | 3   | 420699     | SKIVE            | PLASTIC PAD                              |
| D20 | 2   | 420700     | BRÆDDEBOLT M8X16 | CARRIAGE BOLTM8X16                       |
| D21 | 1   | 420534     | KABEL            | PULL WIRE FOR CHUTE CAP                  |
| D29 | 1   | 420701     | SKRUE M6X8       | HEXAGON SOCKET SET SCREWS WITH FLAT POIN |
| D28 | 1   | 420702     | JUSTERSTYKKE     | ROTATE                                   |
| D27 | 5   | 420703     | FJEDERSKIVE M6   | SPRING WASHER 6                          |
| D25 | 5   | 420621     | BOLT M6X12       | BOLTM6X12                                |
| D26 | 5   | 420530     | PLANSKIVE M6     | FLAT WASHER 6                            |
| D24 | 1   | 420704     | BESLAG           | GUARD RAIL                               |
| D23 | 1   | 420705     | HÆTTE M6         | MONOLITHIC CLOSURE CAP 6                 |
| D22 | 1   | 420552     | SKOVL            | SNOW REMOVAL TOOL                        |
| D30 | 6   | 420706     | MØTRIK M6        | HEXAGON NUT M6                           |
| D31 | 6   | 420554     | BOLT M6X16       | PAN HEAD SCREWS WITH CROSS RECESSED M6X1 |
| D32 | 3   | 420555     | BESLAG           | FIXED BLOCK                              |
| D33 | 1   | 420707     | KILEREM          | BELT                                     |



| POS | QTY | PARTNUMBER | BESKRIVELSE          | DESCRIPTION                              |
|-----|-----|------------|----------------------|--|
| A1  | 1   | 420564     | SNEGLEHUS            | HOUSING ASSEMBLY                         |
| A2  | 2   | 420566     | SLÆBESKO             | SLIDE SHOE                               |
| A3  | 17  | 420614     | LÅSEMØTRIK M8        | HEX FLANG LOCK NUT                       |
| A4  | 10  | 420708     | SKIVE M8             | BIG WASHER8                              |
| A5  | 4   | 420546     | BOLT M8X20           | CARRAGE BOLTM8X20                        |
| A6  | 9   | 420567     | BRÆDDEBOLT M8X15     | CARRIAGE BOLTM8X15                       |
| A7  | 1   | 420709     | BUNDEBESLAG          | SHAVE PLATE                              |
| A8  | 2   | 420710     | NAV                  | BEARING COVER                            |
| A9  | 2   | 420711     | LEJE                 | BEARING                                  |
| A10 | 6   | 420569     | BOLT M8X15           | BOLT M8X15                               |
| A11 | 6   | 420712     | FJEDERSKIVE M8       | SPRING WASHER 8                          |
| A13 | 1   | 420713     | SNEGL HØJRE          | AUGER RIGHT                              |
| A14 | 2   | 420714     | BOLT M6X30           | HEXAGON HEAD BOLT M6X30                  |
| A15 | 4   | 420715     | BØS                  | SMALL BUSHING                            |
| A16 | 2   | 420575     | PAKDÅSE 19X30X7      | FW OUTER SEALING RING                    |
| A17 | 1   | 420716     | HUS TIL GEAR HØJRE   | WOERM HOUSING RIGHT                      |
| A18 | 1   | 420717     | AKSEL 630            | OUTPUT SHAFT(630)                        |
| A19 | 1   | 420718     | SMØRENIPPEL M6       | ANGLE HYDRAULIC GREASE NIPPLES M6        |
| A20 | 2   | 420529     | FJEDERSPLIT          | INDIVIDUA PEN PINCHCOCK                  |
| A21 | 2   | 420719     | SIKKERHEDSBOLT       | SAFETY SCREW                             |
| A22 | 1   | 420720     | PAKNING              | PAPER WASHER                             |
| A23 | 2   | 420721     | KRAVE C19            | OUTPUT SHAFT SLEEVE C19                  |
| A24 | 1   | 420722     | GEARHJUL             | WORM GEAR                                |
| A25 | 1   | 420723     | NOT B5X5X15          | PARALLEL KEYB5X5X15                      |
| A26 | 1   | 420724     | KRAVE                | WORM SHAFT BUSHING                       |
| A27 | 1   | 420725     | HUS TIL GEAR VENSTRE | WORM HOUSING LEFT                        |
| A28 | 7   | 420726     | BOLT M6X20           | HEXAGON HEAD BOLTM6X20                   |
| A29 | 7   | 420703     | FJEDERSKIVE M6       | SPRING WASHER 6                          |
| A30 | 5   | 420553     | MØTRIK M6            | HEXAGON NUTS(WITH NON-METALLIC INSERT)M6 |
| A31 | 1   | 420727     | SNEGL VENSTRE        | AUGER LEFT                               |
| A32 | 1   | 420588     | AKSEL                | WORM SHAFT                               |
| A33 | 1   | 420728     | BESLAG HØJRE         | BRACKET RIGHT                            |
| A34 | 1   | 420729     | BESLAG VENSTRE       | BRACKET LEFT                             |
| A35 | 1   | 420592     | KRAVE                | COLLAR FOR WORM SHAFT                    |
| A36 | 1   | 420730     | RING                 | WORM SHAFT 1                             |
| A37 | 1   | 420594     | PAKDÅSE B 20 35      | SEALING RINGB 20 35                      |
| A38 | 2   | 420591     | BOLT M6X35           | HEXAGON HEAD BOLT M6X35                  |
| A39 | 1   | 420595     | BLÆSEHJUL            | FAN                                      |
| A40 | 4   | 420690     | VINGEMØTRIK          | PLASTIC NUT                              |
| A41 | 2   | 420732     | SKÆRM                | HOUSING STRUT                            |
| A42 | 2   | 420733     | SKRUE ST4.2X12       | PAN HEAD TAPPING SCREWS WITH CROSS RECES |
| A43 | 2   | 420530     | PLANSKIVE M6         | FLAT WASHER 6                            |
| A44 | 1   | 420734     | BESLAG FOR SKOVL     | BRACKET FOR SNOW REMOVAL TOOL            |
| A45 | 1   | 420735     | BESLAG               | SHAVE PLATE                              |
| A46 | 1   | 420736     | BRÆDDEBOLT M8X40     | CARRIAGE BOLTM8X40                       |
| A47 | 1   | 420737     | MONTERINGSPLADE      | FIXED PLATE                              |
| A48 | 1   | 420738     | SKRUE                | HEXAGON SCREW                            |

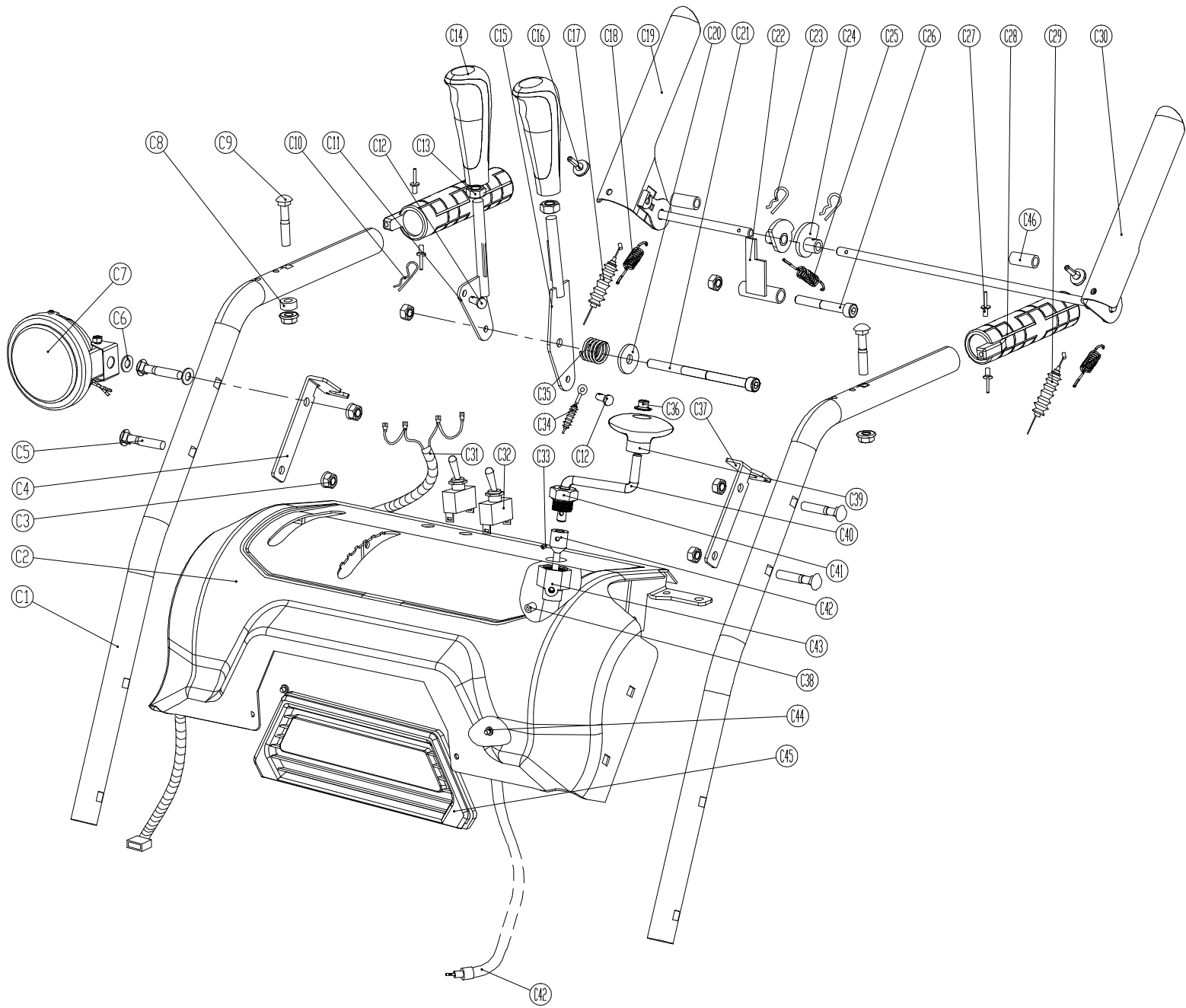
| POS | QTY | PARTNUMBER | BESKRIVELSE       | DESCRIPTION                       |
|-----|-----|------------|-------------------|-----------------------------------|
| A49 | 1   | 420739     | BØS               | PAD                               |
| A50 | 1   | 420740     | STRAMMERULLE      | BIG TENSION PULLEY                |
| A51 | 1   | 420642     | PAKNING           | PAD                               |
| A52 | 1   | 420741     | KABEL             | AUGER PULL WIRE                   |
| A53 | 1   | 420742     | REMHJUL           | BELT PULLEY                       |
| A54 | 1   | 420558     | SKIVE M8          | BIG WASHER8                       |
| A55 | 1   | 420743     | BOLT M8X35        | HEXAGON HEAD BOLT<br>LEFTM8X35    |
| A56 | 2   | 420744     | NITTE 4X10        | OPEN TYPE BLIND RIVET4X10         |
| A57 | 1   | 420745     | NOT B6X6X22       | PARALLEL KEYB6X6X22               |
| A58 | 1   | 420602     | AKSEL             | PULLY SHAFT                       |
| A59 | 1   | 420746     | NAV               | BEARING COVER                     |
| A60 | 1   | 420599     | KUGLELEJE         | BALL BEARING                      |
| A61 | 1   | 420747     | FJEDER            | SPRING5                           |
| A62 | 4   | 420659     | UNBRAKOBOLT M8X16 | HEXAGON SOCKET CAP<br>SCREW M6X12 |
| A63 | 1   | 420748     | SKÆRM HØJRE       | RIGHT COVER OF HIGH<br>PANEL      |
| A64 | 2   | 420614     | LÅSEMØTRIK M8     | HEX FLANG LOCK NUT                |
| A65 | 1   | 420749     | PANEL             | HIGHER PANEL                      |
| A66 | 2   | 420546     | BOLT M8X20        | CARRAGE BOLTM8X20                 |
| A67 | 1   | 420750     | SKÆRM VENSTRE     | LEFT COVER OF HIGHER<br>PANEL     |



| POS | QTY | PARTNUMBER | BESKRIVELSE        | DESCRIPTION                              |
|-----|-----|------------|--------------------|--|
| B1  | 1   | 420751     | SKJOLD             | COVER, FRAME                             |
| B2  | 17  | 420752     | BOLT M6X10         | HEXAGON HEAD BOLT M6X10                  |
| B3  | 17  | 420703     | FJEDERSKIVE M6     | SPRING WASHER 6                          |
| B4  | 11  | 420597     | SKIVE M6           | FLAT WASHER6                             |
| B5  | 1   | 420753     | CHASSIS            | WHEEL BOX                                |
| B6  | 2   | 420754     | BOLT M6X35         | HEXAGON HEAD BOLT M6X35                  |
| B7  | 3   | 420553     | MØTRIK M6          | HEXAGON NUTS(WITH NON-METALLIC INSERT)M6 |
| B8  | 4   | 420755     | MØTRIK M6X8        | HEXAGON SOCKET CAP SCREWS M6X8           |
| B9  | 1   | 420618     | GEARARM            | SHIFTING FORK                            |
| B10 | 1   | 420756     | BESLAG             | RIGHT ANGLE METAL BLOCK                  |
| B11 | 1   | 420637     | FJEDER             | SPRING6                                  |
| B12 | 1   | 420757     | MONTERINGSPLADE    | BEVEL BAFFLE                             |
| B13 | 1   | 420758     | BESLAG             | BEVEL WHEEL BRACKET                      |
| B14 | 2   | 420759     | LÅSEMØTRIK M10     | PREVAILING TORQUE TYPE HEXAGON NUTS(WITH |
| B15 | 1   | 420760     | AFSTANDBØS         | SPACER                                   |
| B16 | 2   | 420761     | LEJE 6003-2RS      | BEARING                                  |
| B17 | 1   | 420762     | AKSEL              | DRIVE BELT AXLE                          |
| B18 | 1   | 420763     | REMHJUL            | BIG BELT WHEEL                           |
| B19 | 1   | 420764     | SKIVE 10           | BIG WASHER 10                            |
| B20 | 2   | 420765     | KUGLELEJE 6020-2ZN | BALL BEARING                             |
| B21 | 1   | 420766     | AKSEL              | HEXAGON TRANSMISSION SHAFT               |
| B22 | 1   | 420767     | SEEGERRING 40      | CHECK RING, FOR SHAFT 40                 |
| B23 | 2   | 420768     | DÆKSEL             | GEAR WHEEL COVER                         |
| B24 | 1   | 420769     | GEARHJUL           | GEAR WHEEL                               |
| B25 | 1   | 420770     | GEARHJUL           | RUBBER RING,FOR GEAR WHEEL               |
| B26 | 2   | 420771     | REMHJUL            | BIG WASHER, FOR GEAR WHEEL               |
| B27 | 5   | 420565     | SKIVE M8           | BIG WASHER8                              |
| B28 | 1   | 420558     | SKIVE M8           | BIG WASHER8                              |
| B29 | 5   | 420772     | BOLT M8X20         | HEXAGON BOLT M8X20                       |
| B30 | 10  | 420712     | FJEDERSKIVE M8     | SPRING WASHER 8                          |
| B31 | 1   | 420773     | REMHJUL            | BELT PULLEY 2                            |
| B32 | 1   | 420774     | TRÆKREM            | BELT                                     |
| B33 | 5   | 420775     | SKIVE M8           | FLAT WASHER 8                            |
| B34 | 9   | 420614     | LÅSEMØTRIK M8      | HEX FLANG LOCK NUT                       |
| B36 | 1   | 420776     | REMHJUL            | BELT WHEEL TURNTABLE 1                   |
| B37 | 1   | 420777     | REMHJUL            | BELT WHEEL TURNTABLE 2                   |
| B38 | 1   | 420778     | FJEDER             | SPRING 3                                 |
| B39 | 1   | 420779     | SKIVE              | PAD,FOR SMALL TENSION PULLEY             |
| B40 | 1   | 420780     | STRAMMERULLE       | SMALL TENSION PULLEY                     |
| B41 | 1   | 420781     | ARM                | SMALL TENSION PLATE                      |
| B42 | 2   | 420782     | AFSTANDSSKIVE      | PAD                                      |
| B43 | 1   | 420783     | STYRRØR NEDRE      | ARMREST                                  |
| B44 | 1   | 420784     | BOLT M8X35         | HEXAGON HEAD BOLT M8X35                  |

| POS | QTY | PARTNUMBER | BESKRIVELSE        | DESCRIPTION             |
|-----|-----|------------|--------------------|-------------------------|
| B45 | 2   | 420785     | BOLT M8X45         | HEXAGON HEAD BOLT M8X45 |
| B46 | 2   | 420786     | PAKNING            | GASKET                  |
| B47 | 1   | 420787     | BOLT               | HEXAGON HEAD BOLT       |
| B48 | 1   | 420788     | FORBINDER          | GEAR CONNECTOR          |
| B49 | 2   | 420789     | HUS                | RHOMBUS BEARING HOUSING |
| B50 | 2   | 420790     | KUGLELEJE          | BALL BEARING            |
| B51 | 2   | 420651     | RINGSPLIT          | SPRING PINS             |
| B52 | 2   | 420791     | RINGSPLIT          | SPRING RING             |
| B53 | 2   | 420625     | HESTESKOSIKRING 19 | CIRCLE FOR SHAFT19      |
| B54 | 1   | 420792     | AKSEL              | DRIVE SHAFT             |
| B55 | 1   | 420793     | GEARHJUL           | DIFFERENTIAL            |
| B56 | 4   | 420794     | BOLT M8X15         | HEXAGON HEAD BOLT M8X15 |
| B57 | 2   | 420795     | HJUL               | TYRE                    |
| B58 | 1   | 420619     | BOLT               | PINNED SHAFT WITH WHOLE |
| B59 | 2   | 420529     | FJEDERSPLIT        | INDIVIDUA PEN PINCHCOCK |
| B60 | 2   | 420796     | STANG              | STRUT BAR               |





| POS | QTY | PARTNUMBER | BESKRIVELSE               | DESCRIPTION                              |
|-----|-----|------------|---------------------------|--|
| C1  | 2   | 420797     | STYRRØR ØVRE              | HANDLE UPPER                             |
| C2  | 1   | 420798     | KONTROLPANEL              | PANEL ,ELECTRICAL                        |
| C3  | 8   | 420799     | LÅSEMØTRIK M8             | HEX FLANGE NUT WITH NOMENTAL INSERT FM8  |
| C4  | 1   | 420800     | BESLAG                    | WIRE SEAT RIGHT                          |
| C5  | 4   | 420736     | BRÆDDEBOLT M8X40          | CARRIAGE BOLTM8X40                       |
| C6  | 1   | 420699     | SKIVE                     | PLASTIC PAD                              |
| C7  | 1   | 420801     | FORLYGTE                  | LIGHT                                    |
| C8  | 2   | 420802     | SKIVE                     | WASHER                                   |
| C9  | 1   | 420803     | BRÆDDEBOLT M8X35          | CARRIAGE BOLT M8X35                      |
| C10 | 2   | 420529     | FJEDERSPLIT               | INDIVIDUA PEN PINCHCOCK                  |
| C11 | 1   | 420804     | BESLAG TIL HÅNDTAG        | GEAR CONTROL LEVER                       |
| C12 | 2   | 420535     | SKIVE                     | PULL WIRE BOLT                           |
| C13 | 2   | 420805     | MØTRIK M10                | HEX NUT M10                              |
| C14 | 1   | 420806     | GREB GEAR                 | REGULATION HANDLE                        |
| C15 | 1   | 420807     | GREB VERTIKALT SKÆRM      | CHUTE CAP HANDLE                         |
| C16 | 2   | 420808     | GUMMI                     | RUBBER PAD                               |
| C17 | 1   | 420809     | KOBLINGSKABEL             | MOVING PULL WIRE                         |
| C18 | 2   | 420810     | FJEDER                    | HANDLE SPRING                            |
| C19 | 1   | 420811     | KOBLINGSGREB              | HANDLE ,RIGHT                            |
| C20 | 1   | 420558     | SKIVE M8                  | BIG WASHER8                              |
| C21 | 1   | 420812     | UNBRAKOBOLT M8X120        | HEXAGON SOCKET CAP SCREW M8X120          |
| C22 | 1   | 420813     | BESLAG                    | STOPING PART                             |
| C23 | 2   | 420814     | FJEDERSPLIT               | INDIVIDUAL PEN PINCHCOCK                 |
| C24 | 2   | 420815     | BESLAG                    | CAM                                      |
| C25 | 1   | 420816     | FJEDER                    | STOPPING SPRING                          |
| C26 | 1   | 420817     | UNBRAKOBOLT M8X60         | SOCKET CAP SCREW M8X60                   |
| C27 | 4   | 420818     | NITTE                     | OPEN TYPE BLIND RIVET3X8                 |
| C28 | 2   | 420819     | GREB                      | HEATED HANDLE                            |
| C29 | 1   | 420820     | KABEL                     | AUGER PULL WIRE                          |
| C30 | 1   | 420821     | HÅNDTAG SNEGLESKRUE       | HANDLE LEFT                              |
| C31 | 1   | 420822     | LEDNING                   | INPUT WIRE                               |
| C32 | 2   | 420823     | KONTAKT                   | ARC SWITCH                               |
| C33 | 1   | 420824     | SKRUE M4X6                | SCREW M4X6                               |
| C34 | 1   | 420534     | KABEL                     | PULL WIRE FOR CHUTE CAP                  |
| C35 | 1   | 420825     | FJEDER                    | PRETIGHTEN SPRING                        |
| C36 | 1   | 420826     | HÆTTE M8                  | MONOLITHIC CLOSURE CAP                   |
| C37 | 1   | 420827     | HOLDER                    | WIRE SEAT                                |
| C38 | 1   | 420701     | SKRUE M6X8                | HEXAGON SOCKET SET SCREWS WITH FLAT POIN |
| C39 | 1   | 420828     | GREB HORIZONTALT UDKASTER | ROCKER HANDLE                            |
| C40 | 1   | 420829     | ARM                       | SMALL ROCKER                             |
| C41 | 1   | 420830     | KRAVE                     | FIXED SEAT 2                             |
| C42 | 1   | 420831     | RØR                       | FLEXIBLE SHAFT                           |
| C43 | 1   | 420832     | HOLDER                    | FIXED SEAT 1                             |
| C44 | 2   | 420833     | BOLT                      | CROSS RECESSED RAISED HEAD BOLTM6X8      |
| C45 | 1   | 420834     | PANEL                     | PANEL                                    |
| C46 | 2   | 420835     | AFSTANDSSKIVE             | SPACER                                   |