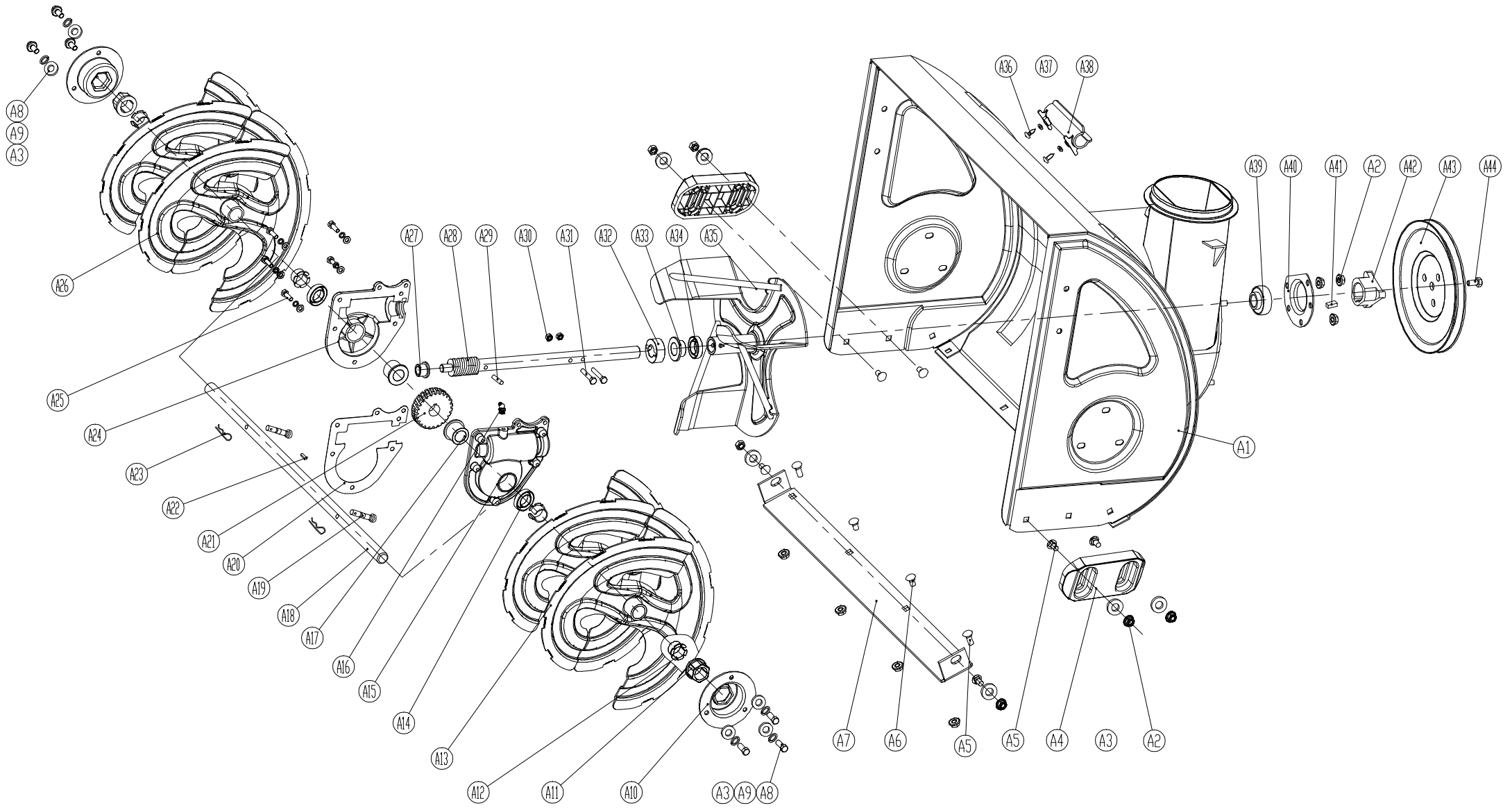
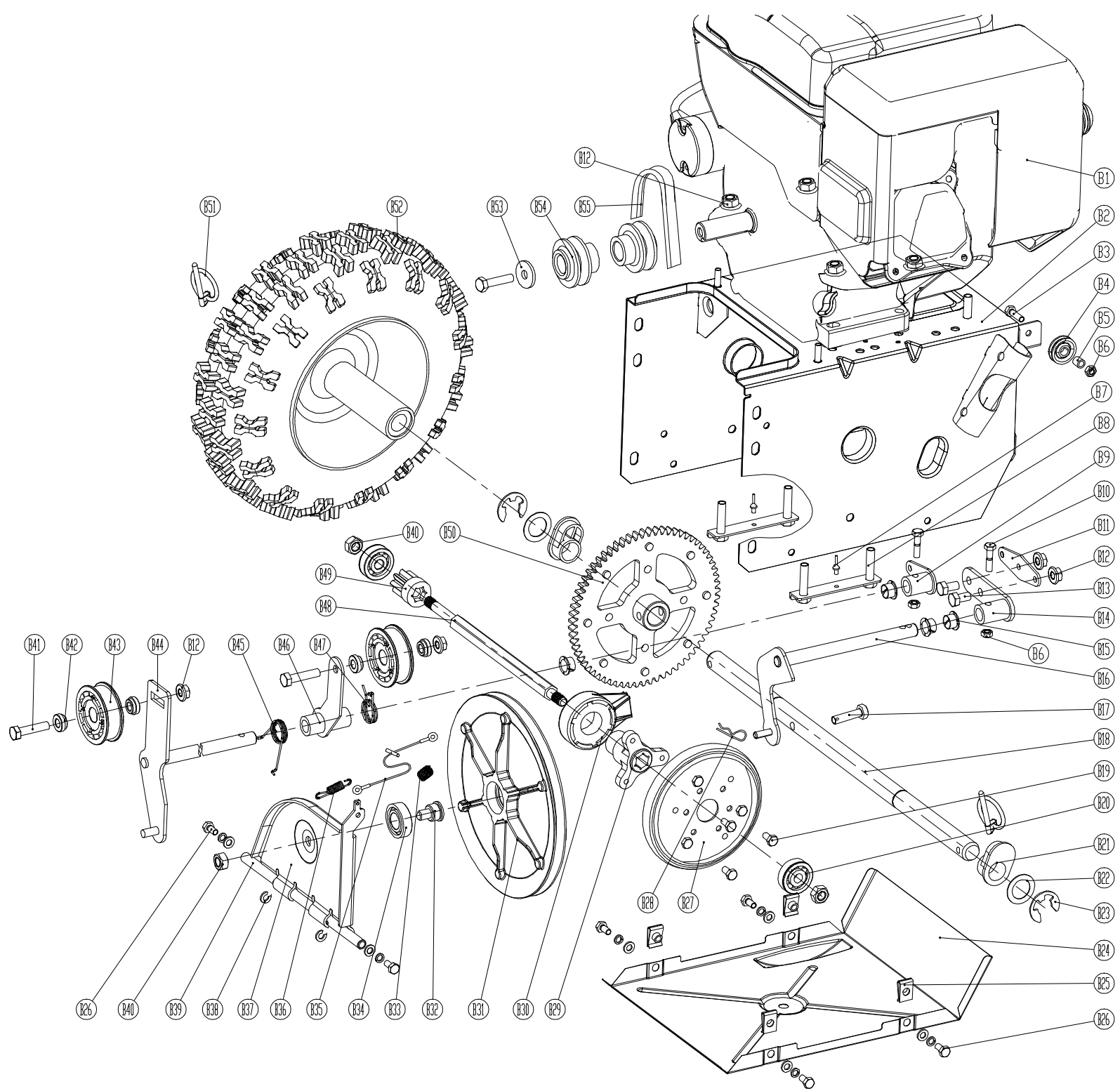


POS	QTY	PARTNUMBER	BESKRIVELSE	DESCRIPTION
D1	6	420529	FJEDERSPLIT	INDIVIDUA PEN PINCHCOCK
D2	1	420530	PLANSKIVE M6	FLAT WASHER 6
D3	4	420531	BRÆDDEBOLT M8X50	CARRIAGE BOLT M8X50
D4	6	420532	FLANGEMØTRIK M8	HEXAGON NUT WITH NOMETAL INSERTM8
D5	1	420533	GEARSTANG	CONNECTING ROD
D6	1	420534	KABEL	PULL WIRE FOR CHUTE CAP
D7	2	420535	SKIVE	PULL WIRE BOLT
D8	2	420536	BESLAG	BRACKET WASHER
D9	1	420537	STANG ØVRE	ROCKER
D10	1	420538	GREB	ROCKER HANDLE
D11	1	420539	HÆTTE	FASTEN THE CAP10
D12	1	420540	KARDANLED	GIMBAL ASSEMBLY
D13	1	420541	BESLAG	ROCKER BRACKET
D14	1	420542	STANG NEDRE	CONNECTING ROD
D15	2	420543	LÅSEMØTRIK M6	HEX FLANG LOCK NUT M6
D16	1	420544	DÆKSEL	BELT COVER
D17	1	420545	BESLAG TIL SNEGLESKRUE	BEVEL WHEEL BRACKET
D18	1	420546	BOLT M8X20	CARRAGE BOLTM8X20
D19	2	420547	SKIVE	WASER, FOR BEVEL WHEEL BRACKET
D20	1	420548	UDKASTERRØR KOMPLET	CHUTE ASSEMBLY
D22	1	420549	SKIVE M6	JUMBO WASHER6
D23	1	420550	UDKASTERSKÆRM	CHUTE CAP
D24	2	420551	BOLT M6X20	CARRIAGE BOLT M6X20
D25	1	420552	SKOVL	SNOW REMOVAL TOOL
D26	6	420553	MØTRIK M6	HEXAGON NUTS(WITH NON- METALLIC INSERT)M6
D27	6	420554	BOLT M6X16	PAN HEAD SCREWS WITH CROSS RECESSED M6X1
D28	3	420555	BESLAG	FIXED BLOCK
D29	1	420556	REM	BELT
D30	2	420557	BOLT M8X20	HEXAGON HEAD SCREWS M8X20
D31	2	420558	SKIVE M8	BIG WASHER8
D32	1	420559	ARM	BELT BAFFLE
D33	1	420560	ARM	GUYHOOK
D34	6	420561	BOLT M8X16	HEXAGON HEAD THREAD FORMING SCREWS M8X16
D35	6	420562	PLANSKIVE M8	FLAT WASHER8
D36	1	420563	SNEGLESKRUE	ROTATING PARTS

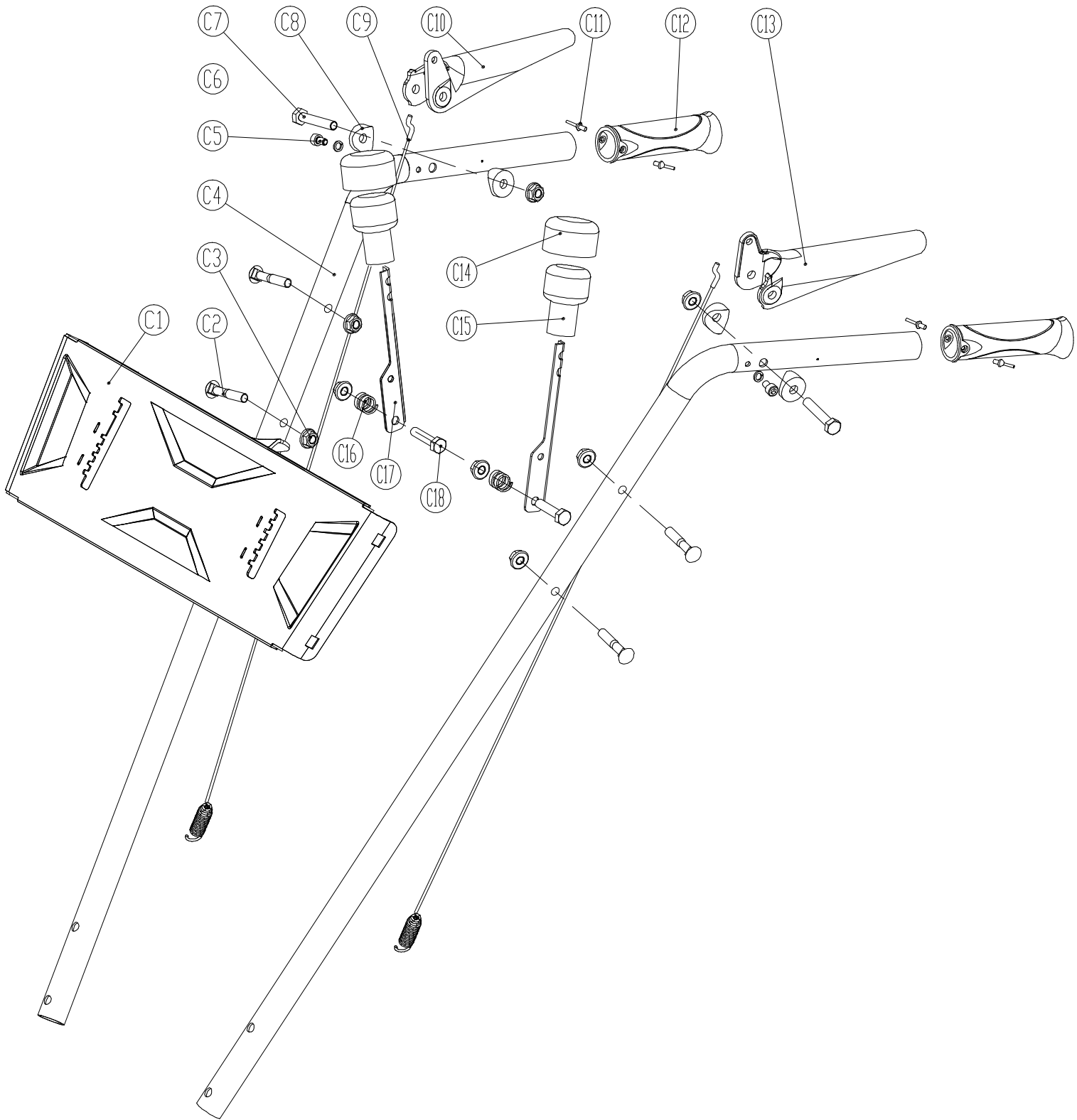


POS	QTY	PARTNUMBER	BESKRIVELSE	DESCRIPTION
A1	1	420564	SNEGLEHUS	HOUSING ASSEMBLY
A2	16	420532	FLANGEMØTRIK M8	HEXAGON NUT WITH NOMETAL INSERTM8
A3	12	420565	SKIVE M8	BIG WASHER8
A4	2	420566	SLÆBESKO	SLIDE SHOE
A5	8	420546	BOLT M8X20	CARRAGE BOLTM8X20
A6	2	420567	BRÆDDEBOLT M8X15	CARRIAGE BOLTM8X15
A7	1	420568	BUNDBESLAG	SHAVE PLATE ,LONG
A8	7	420569	BOLT M8X15	BOLT M8X15
A9	7	420570	FJEDERSKIVE M8	SPRING WASHER8
A10	2	420571	NAV	BEARING COVER
A11	2	420572	LEJE	BEARING
A12	4	420573	BØS	BUSHING FOR DRIV SHAFT
A13	1	420574	SNEGL HØJRE	AUGER,RIGHT
A14	1	420575	PAKDÅSE 19X30X7	FW OUTER SEALING RING
A15	1	420576	HUS HØJRE	WORM HOUSING ,RIGHT
A16	1	420577	NIPPEL	FORCED FILLING OIL
A17	2	420578	KRAVE C19	OUTPUT SHAFT SLEEVE
A18	1	420579	AKSEL 550	OUTPUT SHAFT?550?
A19	2	420580	SKRUE	HEXAGON SCREW
A20	1	420581	SKIVE PAPIR	PAPER WASHER
A21	1	420582	TANDHJUL	WORM GEAR
A22	1	420583	NOT B5X5X15	PARALLEL KEYB5X5X15
A23	2	420529	FJEDERSPLIT	INDIVIDUA PEN PINCHCOCK
A24	1	420584	HUS VENSTRE	WORM HOUSING,LEFT
A25	5	420585	BOLT M6X20	HEXAGON HEAD BOLT M6X20
A26	1	420586	SNEGL VENSTRE	AUGER,LEFT
A27	1	420587	BØSING	BUSHING WORM SHAFT2
A28	1	420588	AKSEL	WORM SHAFT
A29	1	420589	FJEDER M6X30	SPRING BOLT6X30
A30	4	420590	MØTRIK M6	HEXAGON NUT WITH NOMETAL INSERTM6
A31	2	420591	BOLT M6X35	HEXAGON HEAD BOLT M6X35
A32	1	420592	KRAVE	COLLAR FOR WORM SHAFT
A33	1	420593	BØSNING	BUSHING ,WORM SHAFT1
A34	1	420594	PAKDÅSE B 20 35	SEALING RINGB 20 35
A35	1	420595	BLÆSEHJUL	FAN
A36	2	420596	MASKINSKRUE ST4.2X12-F	PAN HEAD TAPPING SCREW WITH CROSS RECESS
A37	2	420597	SKIVE M6	FLAT WASHER6
A38	1	420598	HOLDER FOR SKOVL	BRACKET FOR SNOW REMOVAL TOOL
A39	1	420599	KUGLELEJE	BALL BEARING
A40	1	420600	NAV	BEARING HOUSING
A41	1	420601	NOT B6X6X25	PARALLEL KEYB6X6X25
A42	1	420602	AKSEL	PULLY SHAFT
A43	1	420603	REMHJUL	BELT PULLEY
A44	1	420604	BOLT M8X20	HEXAGON HEAD BOLTM8X20?LEFT?



POS	QTY	PARTNUMBER	BESKRIVELSE	DESCRIPTION
B1	1	TG630S	POWERLINE TG630S	
B2	1	420605	CHASSIS	WHEEL BOX
B3	1	420557	BOLT M8X20	HEXAGON HEAD SCREWS M8X20
B4	1	420606	STRAMMERULLE	PULLEY
B5	1	420607	KRAVE	SMALL SHAFT SLEEVE
B6	3	420608	LÅSEMØTRIK M6	HEXAGON LOCK NUT M6
B7	2	420609	NITTE 3X10	OPEN TYPE BLIND RIVET 3X10
B8	2	420610	BESLAG	SCREW ASSEMBLY 6HP
B9	1	420611	ARM TIL GEAR	GEAR CONNECTOR
B10	2	420612	BOLT M6X25	HEXAGON HEAD BOLT M6X25
B11	1	420613	PLADE	GEAR POSITION REGULATING PLATE
B12	8	420614	LÅSEMØTRIK M8	HEX FLANG LOCK NUT
B13	2	420615	BOLT M8X16	HEXAGON HEAD BOLT M8X16
B14	1	420616	GEARBESLAG	GEAR CONNECTOR
B15	4	420617	PROP	PLASTIC BEARING COVER
B16	1	420618	GEARARM	SHIFTING FORK
B17	1	420619	BOLT	PINNED SHAFT WITH WHOLE
B18	1	420620	AKSEL	DRIVE SHAFT
B19	3	420621	BOLT M6X12	BOLTM6X12
B20	1	420622	PAKDÅSE	OILSEAL
B21	2	420623	HUS	DRIVING SHAFT HOUSING
B22	2	420624	SKIVE	SHAFT PAD
B23	2	420625	HESTESKOSIKRING 19	CIRCLE FOR SHAFT19
B24	1	420626	UNDERSKÆRM	BOTTOM PLATE
B25	4	420627	MØTRIK M6	B SPRING NUT M6
B26	6	420628	BOLTSÆT M6X16	HEXAGON HEAD BOLT ASSEMBLY6X16
B27	1	420629	REMHJUL	RUBBER RING
B28	3	420529	FJEDERSPLIT	INDIVIDUA PEN PINCHCOCK
B29	1	420630	SPÆNDERINGSLEJE	RUBBER RING SEAT
B30	1	420631	LEJE	SLIDE BEARING
B31	1	420632	FRIKTIONSHJUL	FRICTION DISC
B32	1	420633	AKSEL	TRANSMISSION AXLE
B33	1	420634	FJEDER	SPRING1
B34	1	420635	KUGLELEJE	BALL BEARING6203-2RZ
B35	1	420636	LEDNING	SHORT WIRE
B36	1	420637	FJEDER	SPRING6
B37	1	420638	BESLAG	FRICTION DISC SEAT
B38	1	420639	SEEGERRING	OPEN FILE RING
B39	1	420640	STANG	STRUT BAR
B40	3	420641	LÅSEMØTRIK M10	HEXAGON LOCK NUT M10
B41	2	420557	BOLT M8X20	HEXAGON HEAD SCREWS M8X20
B42	4	420642	PAKNING	PAD
B43	2	420643	STRAMMERULLE	SMALL TENSION PULLEY
B44	1	420644	ARM	BIG TENSION ASSEMBLY
B45	1	420645	FJEDER	TORSION SPRING 1
B46	1	420646	ARM	SMALL TENSION ASSEMBLY

POS	QTY	PARTNUMBER	BESKRIVELSE	DESCRIPTION
B47	1	420647	FJEDER	TORSION SPRING
B48	1	420648	AKSEL	HEXAGON TRANSMISSION SHAFT
B49	1	420649	PALHJUL	GEAR BOX
B50	1	420650	TANDHJUL	DIFFERENTIAL
B51	2	420651	RINGSPLIT	SPRING PINS
B52	2	420652	HJUL	TYRE
B53	1	420558	SKIVE M8	BIG WASHER8
B54	2	420653	REMHJUL	BELT PULLEY
B55	1	420654	REM	BELT





POS	QTY	PARTNUMBER	BESKRIVELSE	DESCRIPTION
C1	1	420655	KONTROLPANEL	PANEL
C2	4	420656	BRÆDDEBOLT M8X35	CARRIAGE BOLTM8X35
C3	8	420657	FLANGEMØTRIK	HEX FLANG LOCK NUT
C4	2	420658	STYRRØR	ARMREST BAR
C5	2	420659	UNBRAKOBOLT M8X16	HEXAGON SOCKET CAP SCREW M6X12
C6	2	420570	FJEDERSKIVE M8	SPRING WASHER8
C7	2	420557	BOLT M8X20	HEXAGON HEAD SCREWS M8X20
C8	4	420660	BØS	PLASTIC NUT HOUSING
C9	2	420661	KABEL	LONG WIRE
C10	1	420662	HÅNDTAG HØJRE	HANDLE ,RIGHT
C11	4	420663	NITTE 3X10	OPEN TYPE BLIND RIVET 3X10
C12	2	420664	GREB	HANDLE
C13	1	420665	HÅNDTAG VENSTRE	HANDLE ,LEFT
C14	2	420666	SOFTGRIP	HANDLE CAP
C15	2	420667	GREB	GEAR REGUATION HANDLE
C16	2	420668	FJEDER	PRE-TIGHTEN SPRING
C17	2	420669	BESLAG TIL HÅNDTAG	HANDLE BAR
C18	2	420557	BOLT M8X20	HEXAGON HEAD SCREWS M8X20