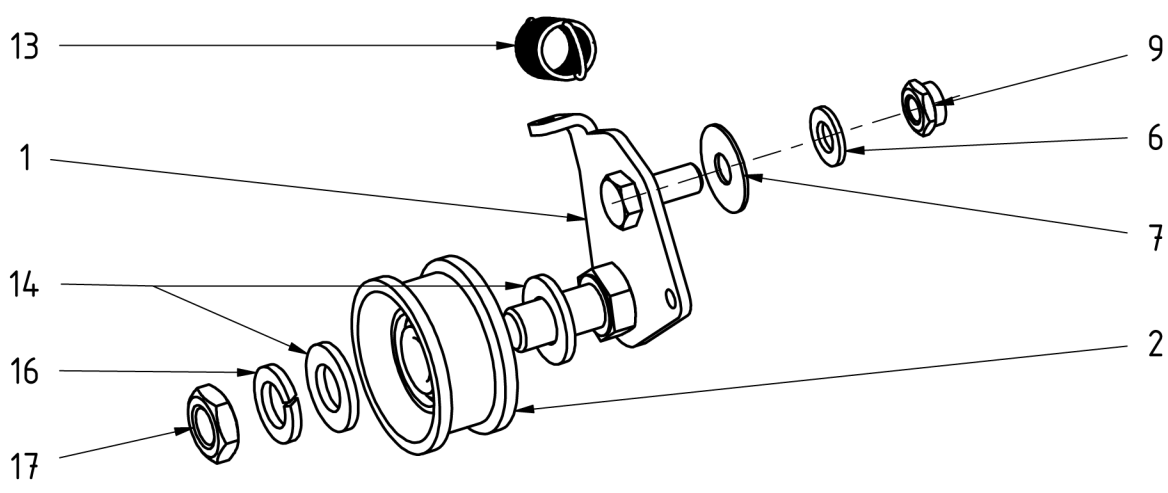
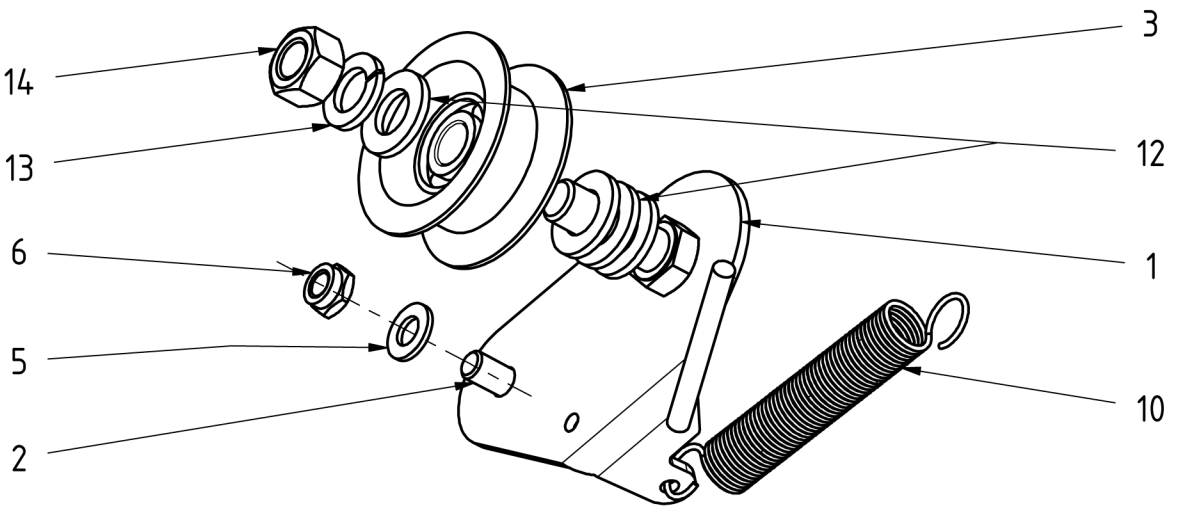


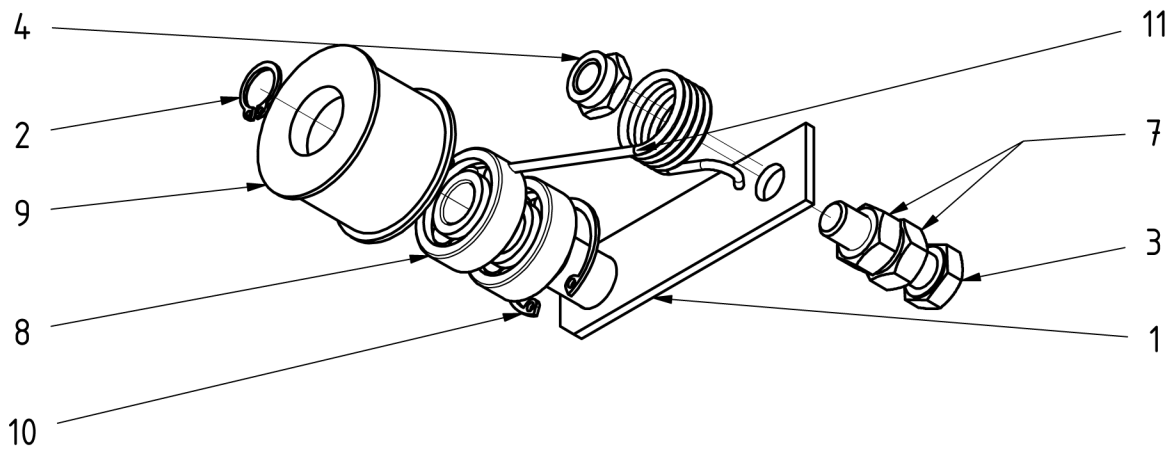
POS	QTY	PARTNUMBER	BESKRIVELSE	DESCRIPTION
1	1	420418	RAMME	CARRY FRAME
2	1	420419	SPREDERDÆKSEL	SPINNER COVER
3	1	420420	AKSEL	PULLEY SHAFT
4	1	420421	SKÆRM BUND	TRAVEL PROTECTOR
5	1	420422	STÆNKLAP	GUARD FLAP
6	1	420423	SKÆRM	REAR PLASTIC COVER
7	2	420424	PROP	TUBE END
9	9	420425	SKIVE ISO 7093 5,3 ZN.	WASHER
10	2	420426	NITTEMØTRIK M5	RIVET NUT
12	6	420427	BOLT ISO 4017 - M5 X 12 ZN.	HEXAGON HEAD SCREW
13	8	420428	LÅSEMØTRIK ISO 10511 - M5 ZN.	SELF-LOCKING NUT
14	1	420429	BREMSE	BRAKE
15	1	420430	BOLT ISO 4017 - M6 X 12 ZN.	HEXAGON HEAD SCREW
16	2	420431	LÅSEMØTRIK ISO 10511 - M6 ZN.	SELF-LOCKING NUT
17	2	420432	KUGLELEJE CSN 02 4630 - 6207 2RS	BALL BEARING
18	2	420433	NOT	PULLEY PEG
19	1	420434	REMSKIVE P190	PULLEY P190
20	1	420435	SKIVE 12	WASHER DAKR 12
22	1	420436	TOPDÆKSEL	FRONT PLASTIC COVER
23	1	420437	REDUKTION	REDUCER
24	1	420438	KILEREM 13 X 750 CONTITECH	SIDE WEDGE BELT
25	1	420439	KILEREM 10 X 650 CONTITECH	UPPER WEDGE BELT
26	1	420440	KILEREM	ADAPTOR WEDGE BELT
27	5	420441	BOLT ISO 4017 - M5 X 14 ZN.	HEXAGON HEAD SCREW
28	1	420442	DÆKSEL	SHAFT HOUSING COVER
29	1	420443	BOLT ISO 4017 - M12 X 35 ZN.	HEXAGON HEAD SCREW
32	1	420444	FJEDERSKIVE DIN 127 12 ZN.	SPRING WASHER



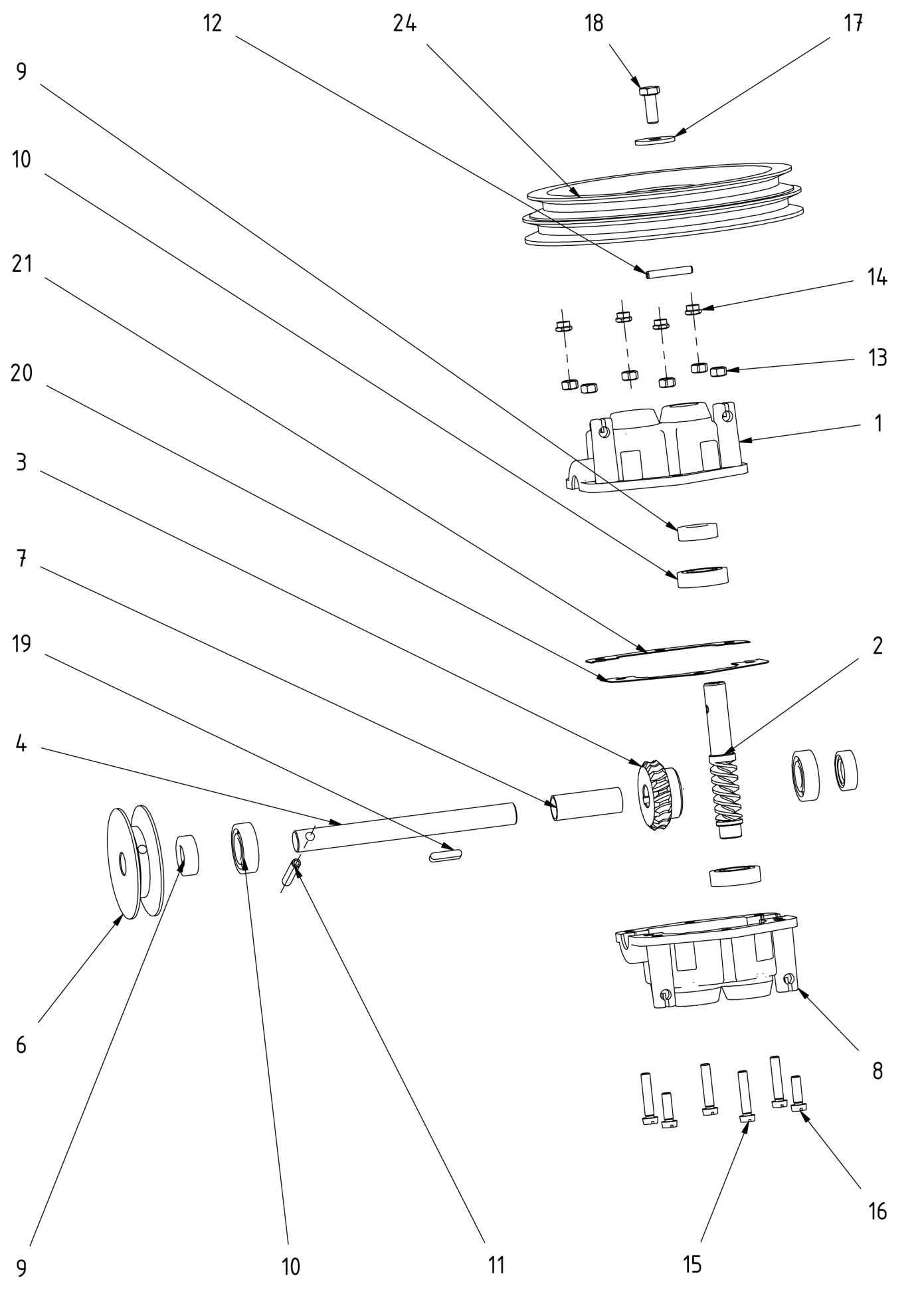
POS	QTY	PARTNUMBER	BESKRIVELSE	DESCRIPTION
1	1	420445	STRAMMEARM VERTIKAL	TENSIONER ARM
2	1	420446	STRAMMERULLE	ROLLER
6	1	420447	SKIVE ISO 7089 - 8,4 ZN.	WASHER
7	1	420448	NITTESKIVE CSN 02 1726 - 8,4 ZN.	RIVET WASHER
9	1	420449	LÅSEMØTRIK ISO 10511 - M8 ZN.	SELF-LOCKING NUT
13	1	420450	FJEDER VERTIKAL	TENSIONER SPRING
14	2	420451	SKIVE ISO 7089 - 13 ZN.	WASHER
16	1	420444	FJEDERSKIVE DIN 127 12 ZN.	SPRING WASHER
17	1	420452	STÅLMØTRIK ISO 4035 - M12 ZN.	NUT



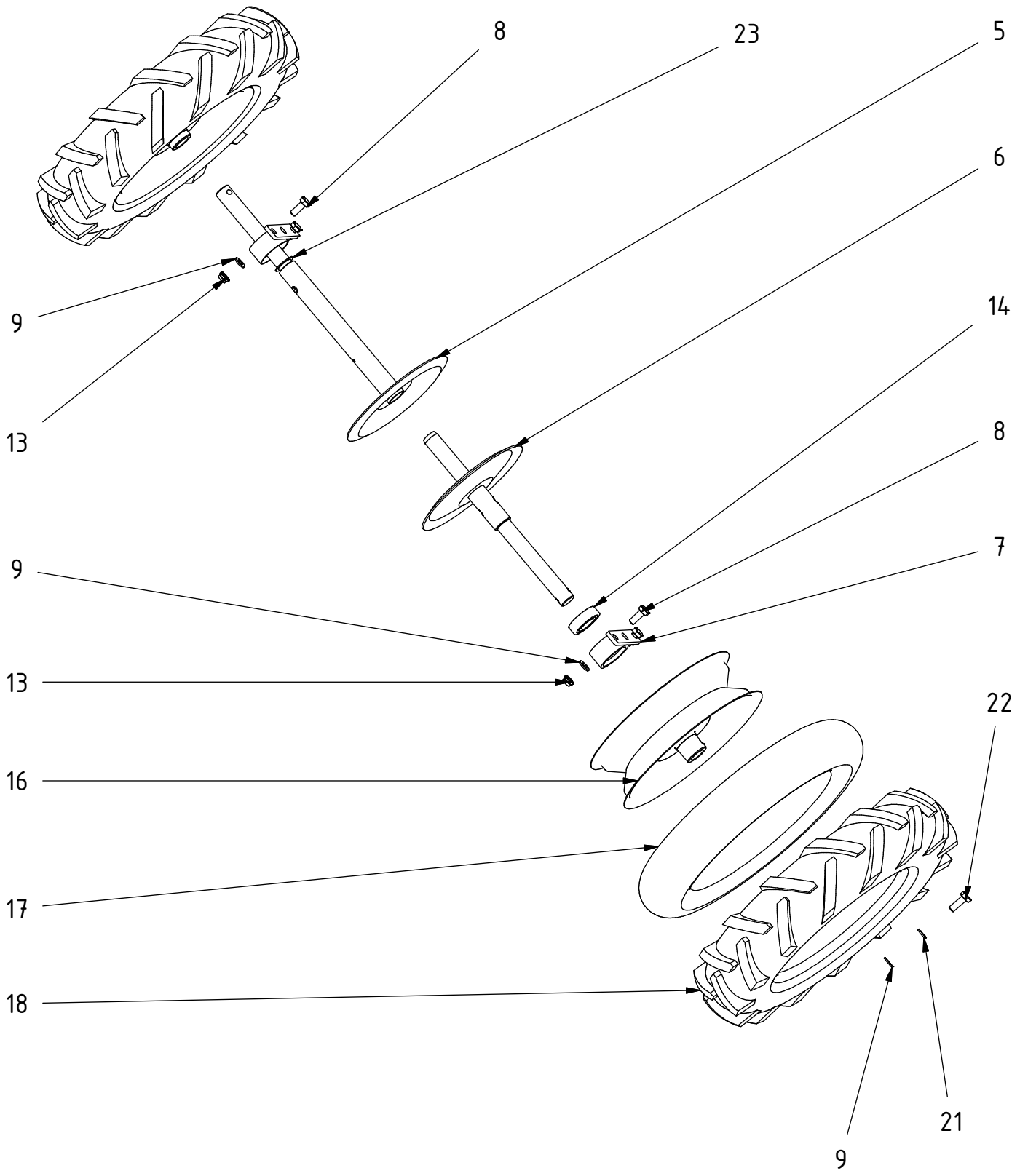
POS	QTY	PARTNUMBER	BESKRIVELSE	DESCRIPTION
1	1	420453	STRAMMEARM	TENSIONER ARM
2	1	420454	BOLT ISO 4017 - M8 X 16 ZN.	HEXAGON HEAD SCREW
3	1	420455	STRAMMERULLE	ROLLER
5	1	420447	SKIVE ISO 7089 - 8,4 ZN.	WASHER
6	1	420449	LÅSEMØTRIK ISO 10511 - M8 ZN.	SELF-LOCKING NUT
10	1	420456	RETURFJEDER 69	RETURN SPRING
12	2	420451	SKIVE ISO 7089 - 13 ZN.	WASHER
13	1	420444	FJEDERSKIVE DIN 127 12 ZN.	SPRING WASHER
14	1	420457	MØTRIK	NUT



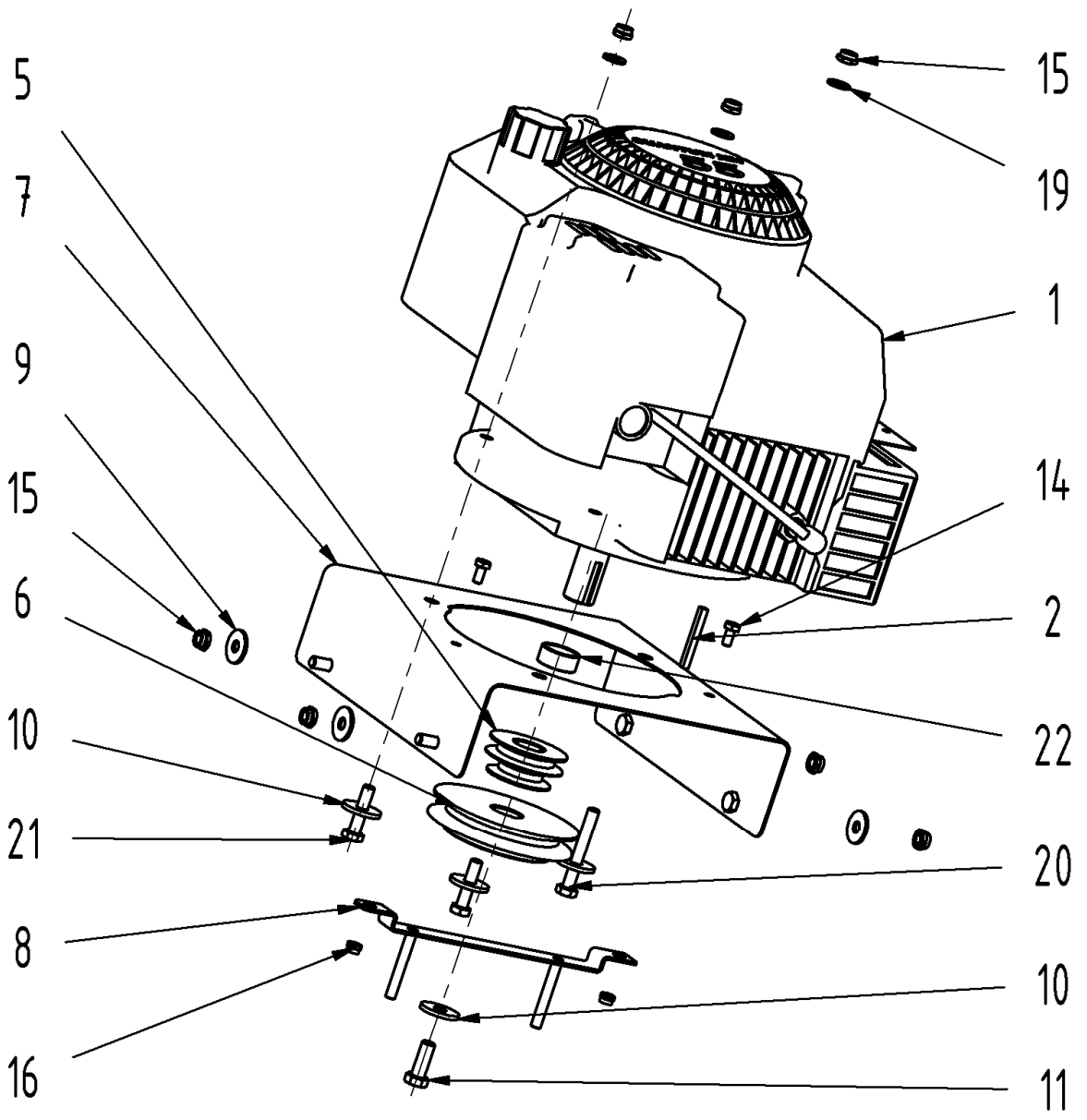
POS	QTY	PARTNUMBER	BESKRIVELSE	DESCRIPTION
1	1	420670	STRAMMEARM	TENSIONER ARM
2	1	420671	SEEGERRING DIN 471 - 12 BLACK	RETAINING RING FOR SHAFT
3	1	420672	BOLT ISO 4017 - M10 X 35 ZN.	HEXAGON HEAD SCREW
4	1	420673	LÅSEMØTRIK ISO 10511 - M10 ZN.	SELF-LOCKING NUT
7	2	420674	MØTRIK ISO 4032 - M10 ZN.	NUT (DIN934)
8	2	420675	KUGLELEJER CSN 02 4630 - 6201 2RS	BALL BEARING
9	1	420676	STRAMMERULLE	METAL ROLL
10	1	420677	SEEGERRING DIN 472 - 32 BLACK	RETAINING RING FOR HOLES
11	1	420678	FJEDER	TORSION SPRING



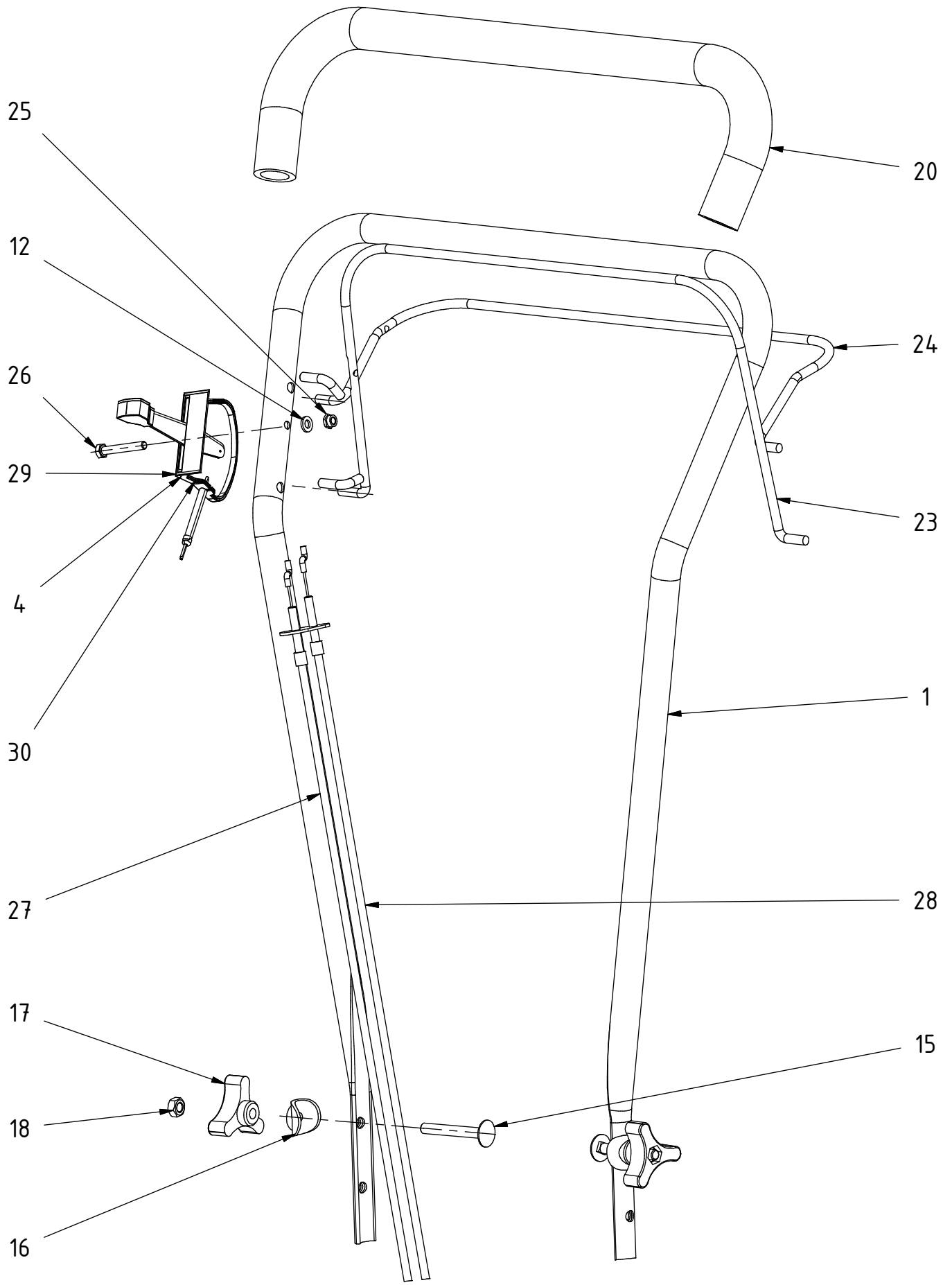
POS	QTY	PARTNUMBER	BESKRIVELSE	DESCRIPTION
1	1	420417	GEARHUS NEDRE	UPPER GEAR CASE
2	1	420458	SNEKKEAKSEL	WORM
3	1	420459	KRONHJUL	WORM WHEEL
4	1	420460	AKSEL	SHAFT
6	1	420461	REMSKIVE	GEARBOX PULLEY
7	1	420462	AFSTANDSRØR	DISTANCE TUBE
8	1	420463	GEARHUS NEDRE	BOTTOM GEAR CASE
9	3	420464	PAKDÅSE ISO 6194/1 - TYPE 4 12 X 22 X 7	SHAFT SEAL
10	4	420465	KUGLELEJE CSN 02 4630 - 6001 2RS	BALL BEARING
11	1	420466	RØRSTIFT ISO 8752 - 5 X 30	SPRING PIN
12	1	420467	RØRSTIFT ISO 8752 - 4 X 26	SPRING PIN
13	6	420468	MØTRIK ISO 4032 - M5 ZN.	NUT
14	4	420428	LÅSEMØTRIK ISO 10511 - M5 ZN.	SELF-LOCKING NUT
15	4	420469	SKRUE ISO 1207 - M5 X 25 ZN.	SLOTTED HEAD SCREW
16	2	420470	SKRUE ISO 1207 - M5 X 16 ZN.	SLOTTED HEAD SCREW
17	1	420471	SKIVE ISO 7094 6,6 ZN.	WASHER
18	1	420472	BOLT ISO 4017 - M6 X 16 ZN.	BOLT
19	1	420473	RØRSTIFT	SPRING PIN
20	1	420474	PAKNING HØJRE	SEAL RIGHT
21	1	420475	PAKNING VENSTRE	SEAL LEFT
22	1	420476	GEARKASSEOLIE 50 ML	GEARBOX OIL
24	1	420477	REMSKIVE, DOBBELT	DOUBLE PULLEY



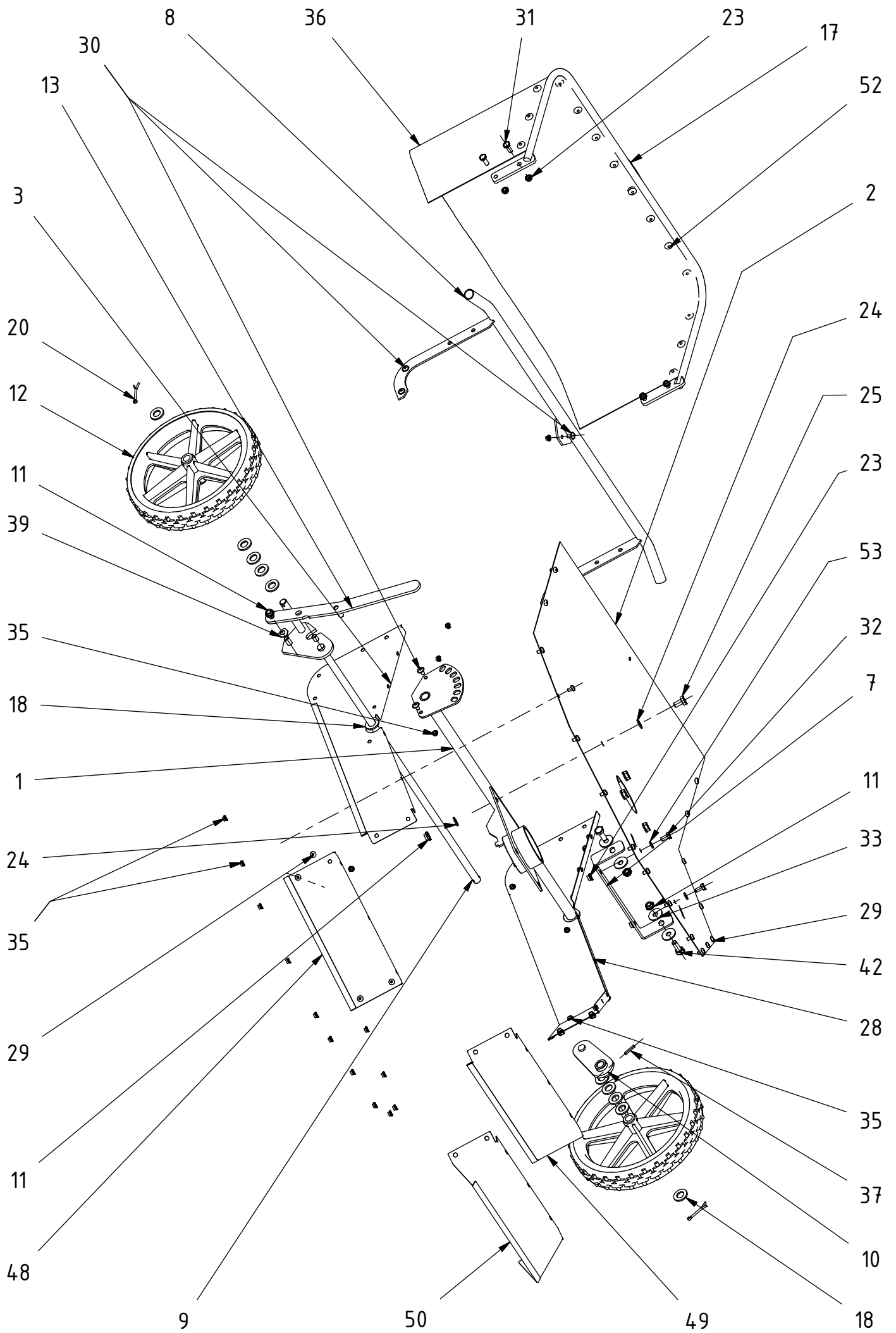
POS	QTY	PARTNUMBER	BESKRIVELSE	DESCRIPTION
5	1	420478	AKSEL LANG	AXLE PULLEY (LONGER SHAFT)
6	1	420479	AKSEL KORT	AXLE PULLEY (SHORTER SHAFT)
7	2	420480	BESLAG TIL RAMME	WELD HOUSING
8	4	420481	BOLT ISO 4017 - M8 X 20 ZN.	HEXAGON HEAD BOLT
9	6	420447	SKIVE ISO 7089 - 8,4 ZN.	WASHER
13	4	420449	LÅSEMØTRIK ISO 10511 - M8 ZN.	SELF-LOCKING NUT
14	2	420482	KUGLELEJE CSN 02 4630 - 6004 2RS	BALL BEARING
15	1	420483	AFSTANDSSKIVE	SPACER WASHER
16	2	420484	FÆLGE	WHEEL RIM
17	2	420485	SLANGE 3,5X4-8	INNER TUBE
18	2	420486	DÆK 390X20F	TYRE
21	2	420487	FJEDERSKIVE DIN 127 8,1 ZN.	SPRING WASHER
22	2	420488	STÅLBOLT ISO 4017 - M8 X 22 ZN.	HEXAGON HEAD BOLT



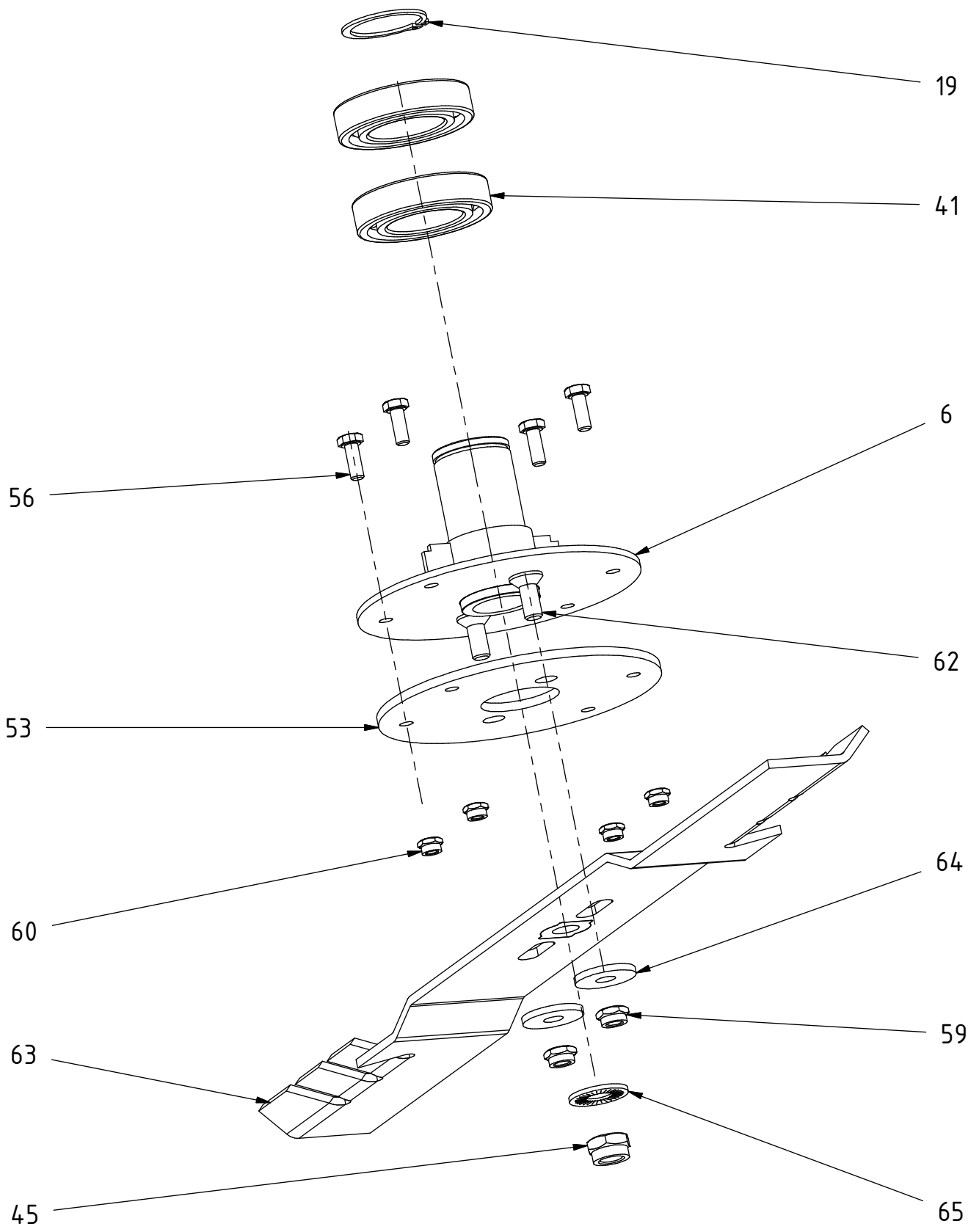
POS	QTY	PARTNUMBER	BESKRIVELSE	DESCRIPTION
1	1	420489	MOTOR B&S 650 SERIES	B&S
2	1	420490	NOT	PEG
5	1	420491	REMSKIVE DOBBELT	DOUBLE PULLEY
6	1	420492	REMSKIVE L107	ENGINE PULLEY L107
7	1	420493	CHASSIS	ENGINE
8	1	420494	BESLAG	BOW
9	4	420495	SKIVE ISO 7093 8,4 ZN.	WASHER
10	4	420496	SKIVE ISO 7094 9 ZN.	WASHER
11	1	420497	SKRUE ANSI B 18.2.1 3/8 ZB X 1 ZN.	INCH THREADED BOLT
14	2	420430	BOLT ISO 4017 - M6 X 12 ZN.	HEXAGON HEAD SCREW
15	7	420449	LÅSEMØTRIK ISO 10511 - M8 ZN.	SELF-LOCKING NUT
16	2	420431	LÅSEMØTRIK ISO 10511 - M6 ZN.	SELF-LOCKING NUT
18	1	420498	RING 12	RING 12 BRIGGS
19	3	420447	SKIVE ISO 7089 - 8,4 ZN.	WASHER
20	1	420499	BOLT ISO 4014 - M8 X 60 ZN.	BOLT
21	2	420500	SKRUE ISO 4017 - M8 X 35 ZN.	HEXAGON HEAD BOLT



POS	QTY	PARTNUMBER	BESKRIVELSE	DESCRIPTION
1	1	420501	STYRRØR	HANDLE
4	1	420502	GASHÅNDTAG KOMPLET B&S 650 -1000/900	GAS LEVER WITH CABLE
12	1	420503	SKIVE ISO 7089 - 6,4 ZN.	WASHER
15	2	420504	BRÆDDEBOLT ISO 8677 - M8 X 60 ZN.	CARRIAGE BOLT
16	2	420505	PLADE	PLASTIC PLATE
17	2	420506	FINGERMØTRIK TRIANGLE	WING NUT M8
18	2	420507	MØTRIK ISO 4032 - M8 ZN.	NUT
20	1	420508	SOFTGRIP	HANDLE SLEEVE
23	1	420509	BØJLE	OPERATING BAR (MOWING)
24	1	420510	BØJLE	OPERATING BAR (TRAVEL)
25	1	420431	LÅSEMØTRIK ISO 10511 - M6 ZN.	SELF-LOCKING NUT
26	1	420511	BOLT ISO 4014 - M6 X 40 ZN.	BOLT
27	1	420512	KOBLINGSKABEL	CABLE (MOWING)
28	1	420513	BREMSEKABEL	CABLE (TRAVEL)
30	1	420515	GASHÅNTAG KOMPLET 850 B&S 850 -1240/1110	GAS LEVER WITH CABLE



POS	QTY	PARTNUMBER	BESKRIVELSE	DESCRIPTION
1	1	420970	AKSEL	CARRIER FRAME
2	1	420971	PLADE	PANEL
3	1	420972	SIDEPLADE HØJRE	SIDE PLATE
7	1	420973	BESLAG	REAR CARRIER
8	1	420974	KOFANGER	BUMPER BAR
9	1	420975	HJULAKSEL	AXLE
10	1	420976	BESLAG	SMALL AXLE
11	7	420449	LÅSEMØTRIK ISO 10511 - M8 ZN.	SELF-LOCKING NUT
12	2	420977	HJUL	WHEEL
13	1	420978	HØJDEJUSTERING	LEVER
17	1	420979	RAMME	PROTECTION SHEET HOLDER
18	11	420451	SKIVE ISO 7089 - 13 ZN.	WASHER
20	2	420980	SPLIT ISO 1234 - 3,2 X 32 ZN.	SPLIT PIN
23	6	420431	LÅSEMØTRIK ISO 10511 - M6 ZN.	SELF-LOCKING NUT
24	8	420447	SKIVE ISO 7089 - 8,4 ZN.	WASHER
25	4	420981	BOLT ISO 4017 - M8 X 14 ZN.	HEXAGON THREADED SCREW
28	1	420982	SIDEPLADE VENSTRE	SIDE PLATE LEFT
29	25	420983	SKIVE ISO 7380 - M5 X 8 ZN.	COLLAR BOLT
30	9	420984	UNBRAKOBOLT ISO 7380 - M5 X 10 ZN.	COLLAR BOLT
31	4	420472	BOLT ISO 4017 - M6 X 16 ZN.	BOLT
32	2	420430	BOLT ISO 4017 - M6 X 12 ZN.	HEXAGON HEAD SCREW
33	4	420495	SKIVE ISO 7093 8,4 ZN.	WASHER
35	34	420428	LÅSEMØTRIK ISO 10511 - M5 ZN.	SELF-LOCKING NUT
36	1	420985	SKÆRM	PROTECTION SHEET
37	1	420986	FJEDERSPLIT ISO 8752 - 4 X 20	SPRING PIN
39	1	420987	FJEDERSKIVE	SPRING WASHER
42	2	420481	BOLT ISO 4017 - M8 X 20 ZN.	HEXAGON HEAD BOLT
48	2	420988	BAGPLADE	REAR PLATE
49	1	420989	PLADE	COVER MUNI
50	1	420990	UDKASTERKLAP	OUTLET MUNI
52	14	420991	NITTE	DOUBLE RIVET
53	2	420503	SKIVE ISO 7089 - 6,4 ZN.	WASHER



POS	QTY	PARTNUMBER	BESKRIVELSE	DESCRIPTION
6	1	420992	KNIVHOLDER	BLADE CARRIER
19	1	420993	SEEGERRING DIN 471 - 35 SORT	RETAINING RING FOR SHAFT
41	2	420994	KUGLELEJER CSN 02 4630 - 6007 2RS	BALL BEARING
45	1	420995	LÅSEMØTRIK ISO 10511 - M12 ZN.	SELF-LOCKING NUT
53	1	420996	SKIVE FOR KNIV	BLADE CARRIER FLANGE
56	4	420472	BOLT ISO 4017 - M6 X 16 ZN.	BOLT
59	2	420449	LÅSEMØTRIK ISO 10511 - M8 ZN.	SELF-LOCKING NUT
60	4	420431	LÅSEMØTRIK ISO 10511 - M6 ZN.	SELF-LOCKING NUT
62	2	420997	TAPTITE ISO 10642 - M8 X 20 ZN.	COUNTERSUNK BOLT
63	1	420998	KNIV	BLADE MUNI
64	2	420496	SKIVE ISO 7094 9 ZN.	WASHER
65	1	420999	SKIVE M 12	SPRING WASHER