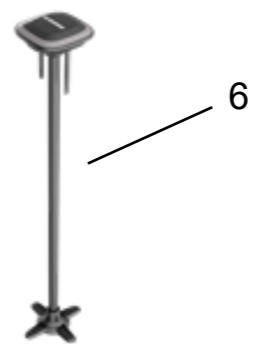
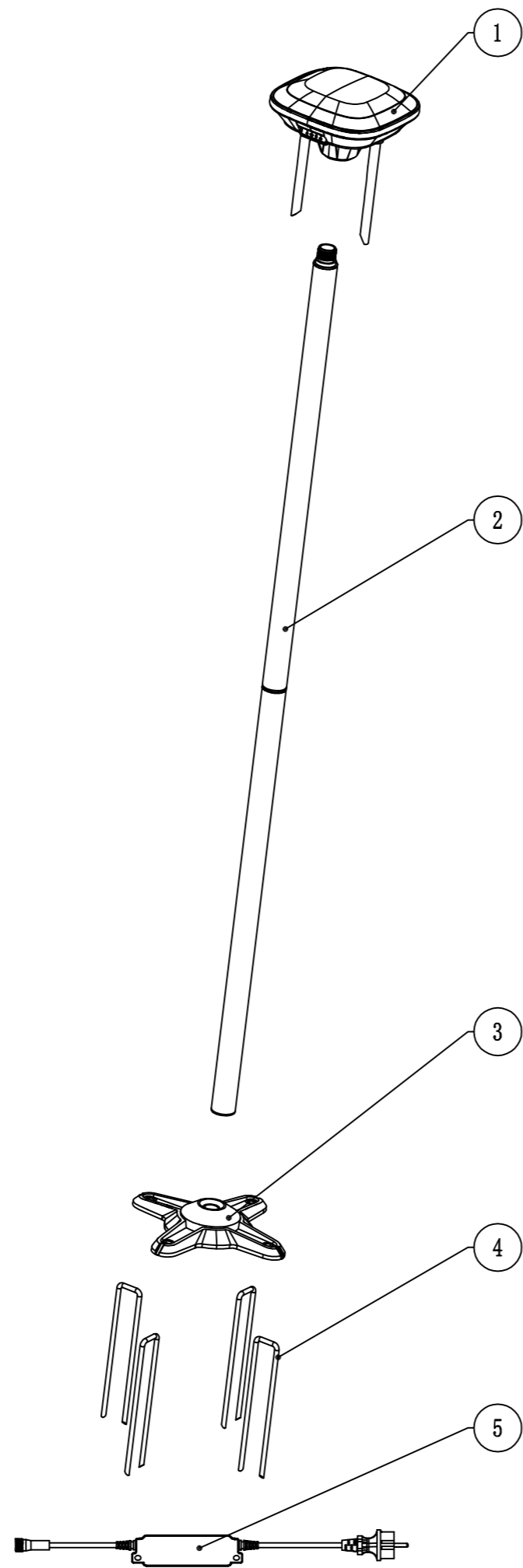
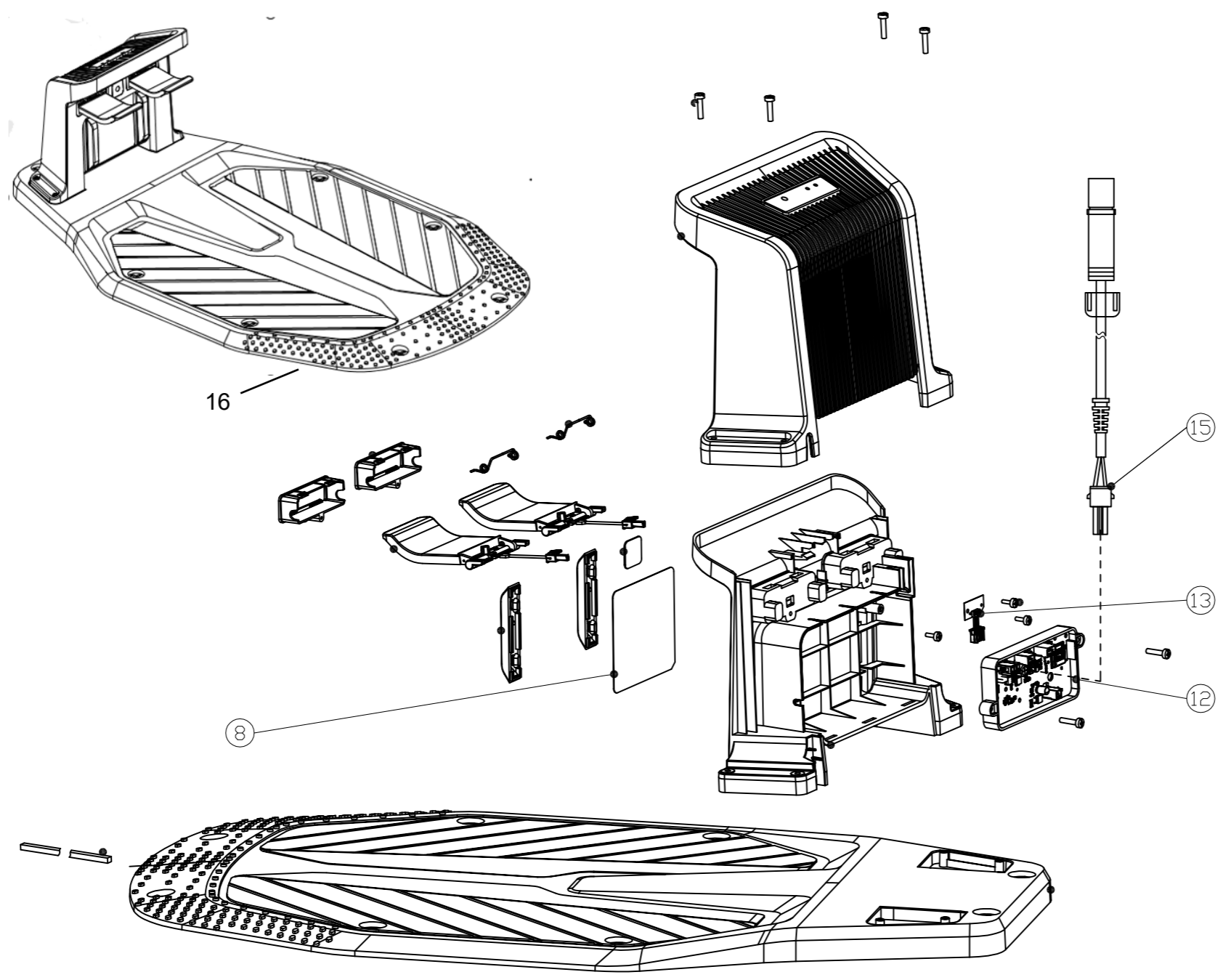


POS	QTY	PARTNUMBER	BESKRIVELSE	DESCRIPTION
1	1	454389	COVER KAMERA	CAMERA PROTECTION COVER
2	1	454390	COVER	DECORATIVE COVER ASSEMBLY
3	75	448939	SKRUE ST3.9X18	SCREW (SUS304)
4	1	454391	TOPDÆKSEL KPL.	X7 TOP COVER ASSEMBLY
5	1	454344	INTERFACE GMS ANTENNE	SMA INTERFACE GSM ANTENNA
6	25	454333	SKRUE ST2.9*10-H-F	SCREW ST2.9*10-H-F
7	1	454392	PRINTKORT REGNSENSOR	RAIN SENSOR BOARD
8	1	454345	PRINTPLADE BAGHJUL	REAR WHEEL DRIVE BOARD
9	1	454393	PRINTPLADE DISPLAY	DISPLAY BOARD PCBA
10	1	454340	RTK ANTENNE	RTK ANTENNA-HX
11	1	454394	TÆTNINGSRING	MAIN CHAMBER SEAL RING
12	1	454395	BUND CHASSIS	BOTTOM CHASSIS
13	2	454396	O-RING	O RING
14	1	454397	KNIV MOTOR	CUTTING SYSTEM COMPONENT
15	1	448979	AKSEL	ROTATION AXIS
16	1	454398	HØJDEJUSTERING	HEIGHT-ADJUSTING MODULE
17	1	454349	TÆTNINGSRING	GPS SEALING RING
18	1	454350	COVER GPS	GPS MODULE COVER
19	1	454363	BAGHJUL KPL.	REAR WHEEL ASSEMBLY
20	1	454364	TÆTNINGSRING BAGHJUL	REAR DRIVE WHEEL SEAL RING
21	1	454399	KNIVHOLDER SKJOLD	CUTTING DISC SHIELD
22	2	450034	KNIVHOLDER	CUTTING DISC
23	6	454361	KNIVE	BLADE
24	14	448983	SKRUE M4X12	SCREW
25	6	448982	KNIVSKRUE M4X10	SCREW FOR BLADE
26	1	454400	HJULKAPSEL VENSTRE FRONT	LEFT FRONT WHEEL COVER
27	2	453648	LÅSEMØTRIK M6	M6-NON-METALLIC INSERT LOCK NUT
28	2	448954	SKIVE ELASTISK	ELASTIC WASHER 6
29	2	454366	SKIVE	FLAT PAD ?6.4X?30X2
30	2	454401	HJUL X7	DRIVING WHEEL
31	2	454348	GUMMIPUDE	RUBBER PAD
32	1	454402	HJULMOTOR MODUL	FRONT DRIVE MODULE (W/2 MOTORS)
33	2	454403	BESLAG BATTERI	BATTERY PACK BRACKETS FOR 10AH BATTERY
34	1	469106	BATTERI TIL X7 20V/10AH	BATTERY PACK
35	1	454404	BATTERI PAKNINGSRING	BATTERY PACK COVER SEALING
36	1	454405	COVER BATTERI	BATTERY PACK COVER
37	1	448957	USB PORT	USB BOARD
38	3	454406	SVINGARM	SWING ROD
39	1	454407	KOFANGER	ANTI-COLLISION ASSEMBLY
40	2	454347	LØFTESENSOR	LIFT SENSOR PLATE
41	1	454408	O-RING	O RING
42	1	454409	TERMISK PLADE	THERMAL CONDUCTIVE PHASE CHANGE SHEET

POS	QTY	PARTNUMBER	BESKRIVELSE	DESCRIPTION
43	2	448997	SENSORPLADE	SENSOR PRESSING PLATE
44	1	454330	PRINTPLADE	CORE ALGORITHM BOARD
45	1	454410	INTERFACE GMS ANTENNE	MODULE
46	5	454336	SKRUE ST2.9*12-F	SCREW ST2.9*12-F
47	2	454411	KLEMME	GEOMAGNETIC PLATE CLAMP
48	1	454335	SENSOR PANEL	GEOMAGNETIC SENSOR PANEL
49	1	454412	LEDNINGSNET OPLADNINGSMODUL	CHARGING WIRE HARNESS MODULE
50	2	448996	SENSOR	COLLISION SENSOR PCBA
51	2	465107	STOPKNAP	
52	27	448958	SKRUE ST2.9*12	SCREW (SUS304)
53	1	454413	LED LYS	LED LAMP
54	1	454414	HJULKAPSEL HØJRE FRONT	RIGHT FRONT WHEEL COVER
55	1	454415	KAMERA MODUL	CAMERA MODULE
56	1	454416	TÆTNINGSRING KAMERA	CAMERA SEALING RING
58	1	454376	LØFTESENSOR LEDNINGSNET	MAIN BOARD CONNECTION LIFT SENSOR HARNES
59	1	449001	DISPLAY KABEL	DISPLAY BOARD CONNECTION WIRE
60	1	454375	KOLLISION LEDNINGSNET	COLLISION SENSOR WIRING HARNESS
61	1	454374	BAGHJUL LEDNINGSNET	MAINBOARD CONNECTION REAR WHEEL HARNESS
62	1	454369	BUNDKORT LEDNINGSNET	MAINBOARD-ALGORITHM BOARD COMMUNICATION
63	1	454370	STRØM LEDNINGSNET	MAINBOARD-ALGORITHM BOARD POWER SUPPLY C
64	1	454371	KAMARA KABEL	CAMERA FPC CABLE
65	1	454372	GEOMAGNETISK LEDNINGSNET	GEOMAGNETIC PLATE CONNECTION HARNESS
66	1	454373	ALGORITME 5V LEDNINGSNET	ALGORITHM BOARD 5V OUTPUT HARNESS
67	1	454368	4G LEDNINGSNET	4G MODULE COMMUNICATION HARNESS
68	1	454417	MAGNET	MAGNETIC RING
69	4	448855	STRIPS	CABLE TIE
70	4	454418	REGNSENSOR	RAIN SENSOR
71	1	454419	PRINTPLADE TIL RTK ANTENNE	RTK ANTENNA MAINBOARD ASSEMBLY



POS	QTY	PARTNUMBER	BESKRIVELSE	DESCRIPTION
1	1	454378	ANTENNEHOVED	RTK MAIN COMPONENT
2	2	454379	ALURØR ANTENNE	ALUMINUM TUBE ASSEMBLY
3	1	454380	BASE	RTK SET BASE
4	4	454381	PLØKKER	U TYPE FOR RTK BASE FIXTURE
5	1	454382	STRØMFORSYNING TIL RTK	2A POWER SUPPLY FOR RTK (EU VERSION)
6	1	454383	RTK BASE KPL.	RTK BASE STATION SET



17

POS	QTY	PARTNUMBER	BESKRIVELSE	DESCRIPTION
8	1	454420	QR KODE	CHARGING STATION QR CODE
12	1	454421	OPLADER PRINTKORT	CHARGING BOARD ASSEMBLY
13	1	454422	INDIKATORLYS	INDICATOR LIGHT PCBA
15	1	451164	KABEL 8M	POWER SUPPLY CABLE 8M
16	1	454388	LADESTATION U/STRØMFORSYNING	X5/X7 CHARGING STATION
17	1	454423	STRØMFORSYNING 5A	CHARGING STATION POWER SUPPLY