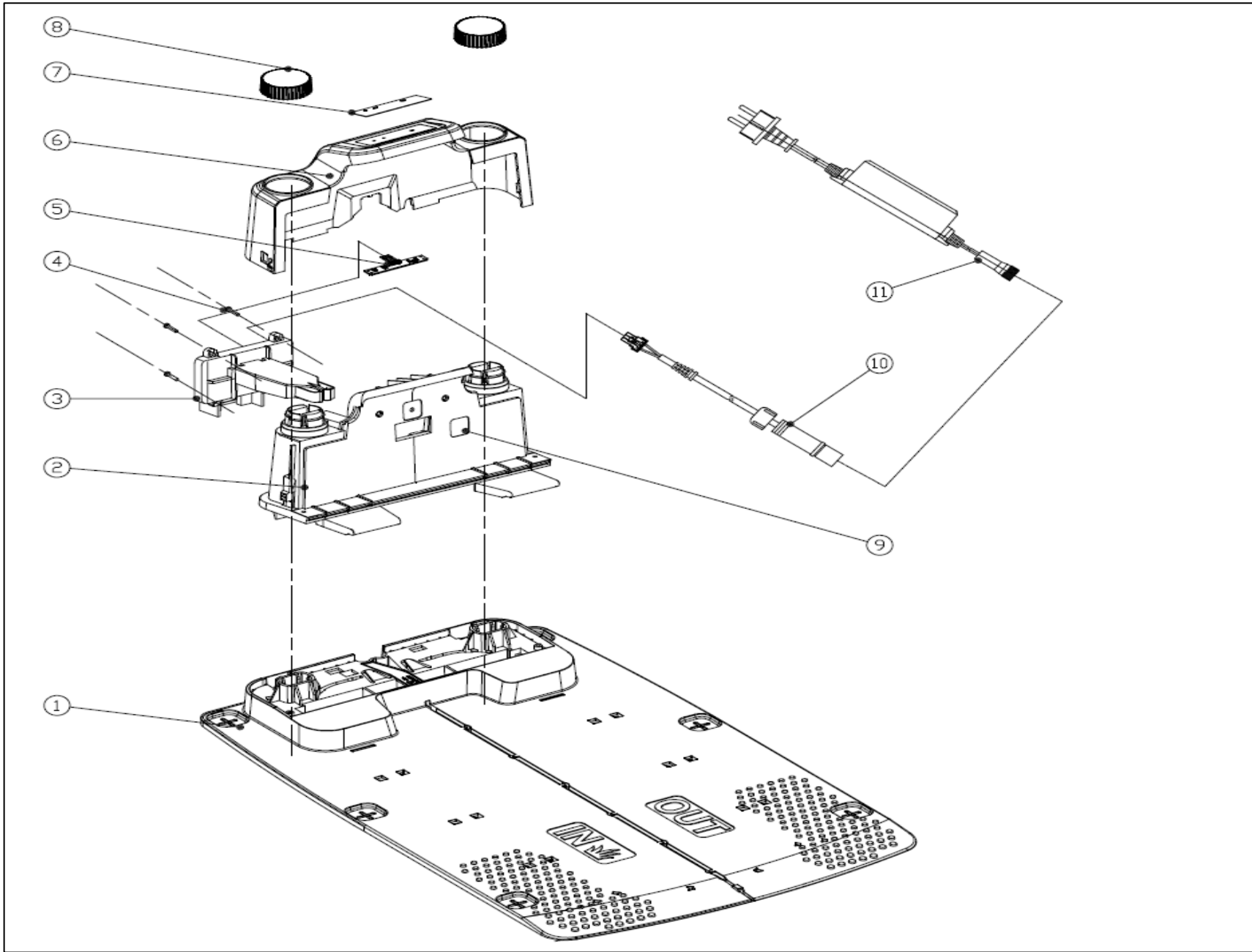
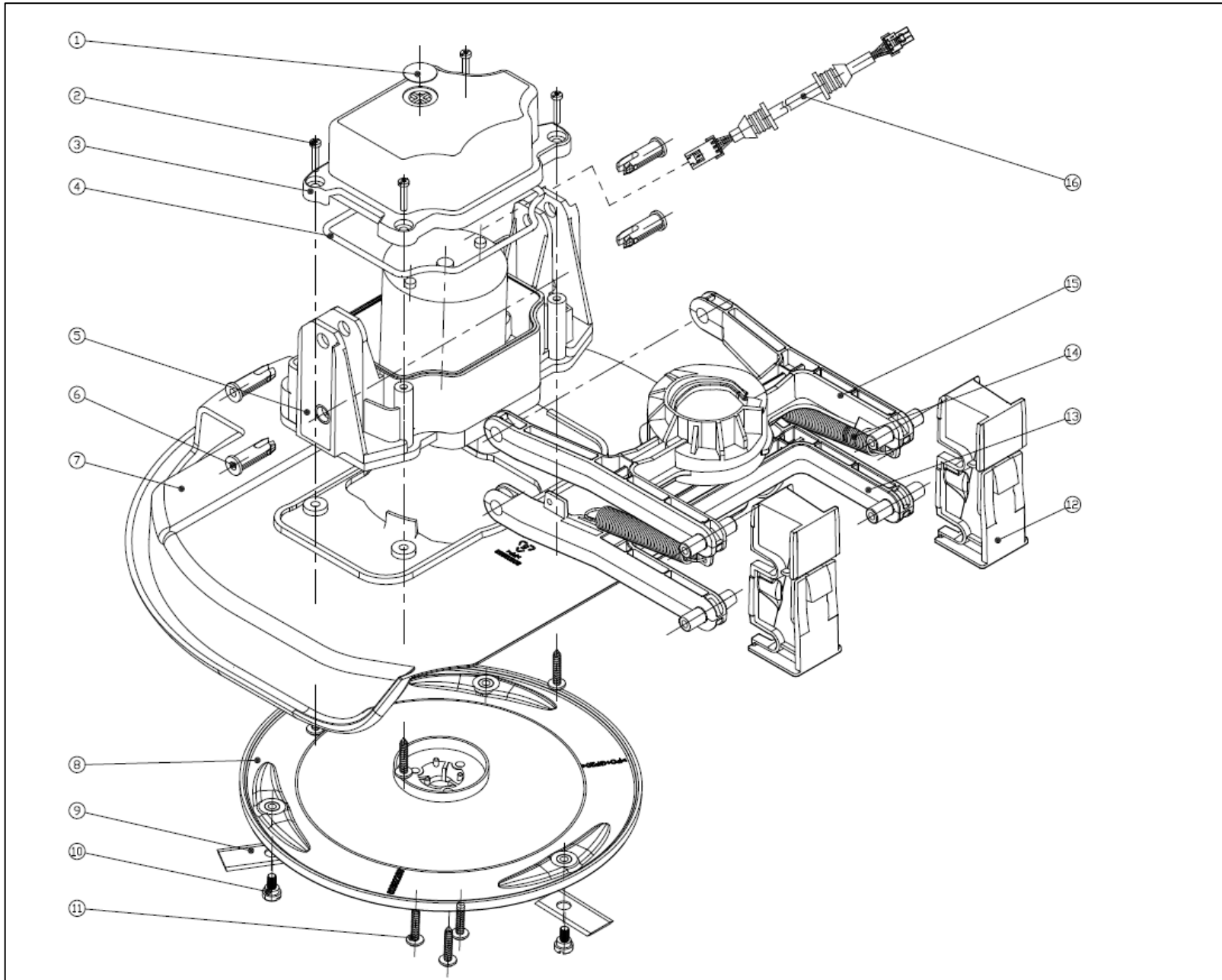


POS	QTY	PARTNUMBER	BESKRIVELSE	DESCRIPTION
1	1	453625	COVER	FLOAT COVER ASSEMBLY
2	52	448939	SKRUE ST3.9X18	SCREW (SUS304)
3	1	453626	DÆKSEL KPL.	TOP COVER ASSEMBLY? INCLUDING DISPLAY BOA
4	1	453627	HØJDEJUSTERINGKNAPE	HEIGHT KNOB ASSEMBLY
5	1	451141	SENSORPLADE	BOUNDARY SENSOR BOARD
6	4	448944	PIND	SWING ROD
7	4	448946	BESKYTTER	SWING SPRING PROTECTOR
8	4	448945	FJEDER	SWING SPRING
9	1	448947	HOLDER	SWING COVER
10	1	451142	LØFTESENSOR	LIFT SENSOR PLATE
11	1	448948	PAKNING/FORSEGLING Ø5MM	SEALING STRIP 2
12	1	451143	PAKNING/FORSEGLING Ø5MM	SEALING STRIP 1
13	1	451144	CHASSIS	CHASSIS
14	1	451145	LADEPLADE	CHARGING POLE PLATEN
15	1	451146	PLADE	FUNCTION PLATE SEALING RING
16	1	453628	PLADE	BOARD 1
17	1	448953	STOPKLODS TIL HØJDEJUSTERING	HEIGHT KNOB STOP BLOCK
18	1	453629	HJULKAPSEL	REAR WHEEL COVER
19	2	438274	LÅSEMØTRIK M6	M6 NON-METALLIC INSERT LOCKNUTS
20	2	448954	SKIVE ELASTISK	ELASTIC WASHER 6
21	2	423131	SKIVE 6.1X15.2	WASHER
22	1	453630	VENSTRE BAGHJUL	LEFT REAR WHEEL ASSEMBLY
23	2	464990	HJULMOTOR	WHEEL MOTOR ASSEMBLY
24	2	451150	FRONTHJUL	FRONT WHEEL COMPONENT
25	1	451151	KLIPPESKJOLD KOMPLET	CUTTING SYSTEM COMPONENT?INCLUDING MOTOR
26	1	451165	KLIPPESKJOLD	SHIELD
27	1	451166	KNIVHOLDER	CUTTING DISC
28	3	448983	SKRUE M4X12	SCREW
29	3	453631	KNIV	BLADE
30	3	448982	KNIVSKRUE M4X10	SCREW FOR BLADE
31	1	448957	USB PORT	USB BOARD
32	2	448958	SKRUE ST2.9*12	SCREW (SUS304)
33	1	451152	DÆKSEL TIL BATTERI	BATTERY PACK COVER
34	1	451153	HOLDER FOR BATTERI	BATTERY HOLDER
35	1	449002	BATTERI 20V/5.0AH	BATTERY PACK (SAMSUNG)
36	1	451154	PAKNING TIL BATTERI	BATTERY PACK COVER SEALING
37	1	450028	LADEKABEL	CHARGING WIRE ASSEMBLY
38	1	450029	BATTERILEDNING	BATTERY CONNECT MAINBOARD CABLE
39	1	453632	HØJRE BAGHJUL	RIGHT REAR WHEEL
40	1	465129	PRINTPLADE	MAINBOARD ASSEMBLY
41	1	450031	SENSOR KABEL	BOUNDARY SENSOR CABLE
42	1	453633	LEDNING	WIRING HARNESSSES

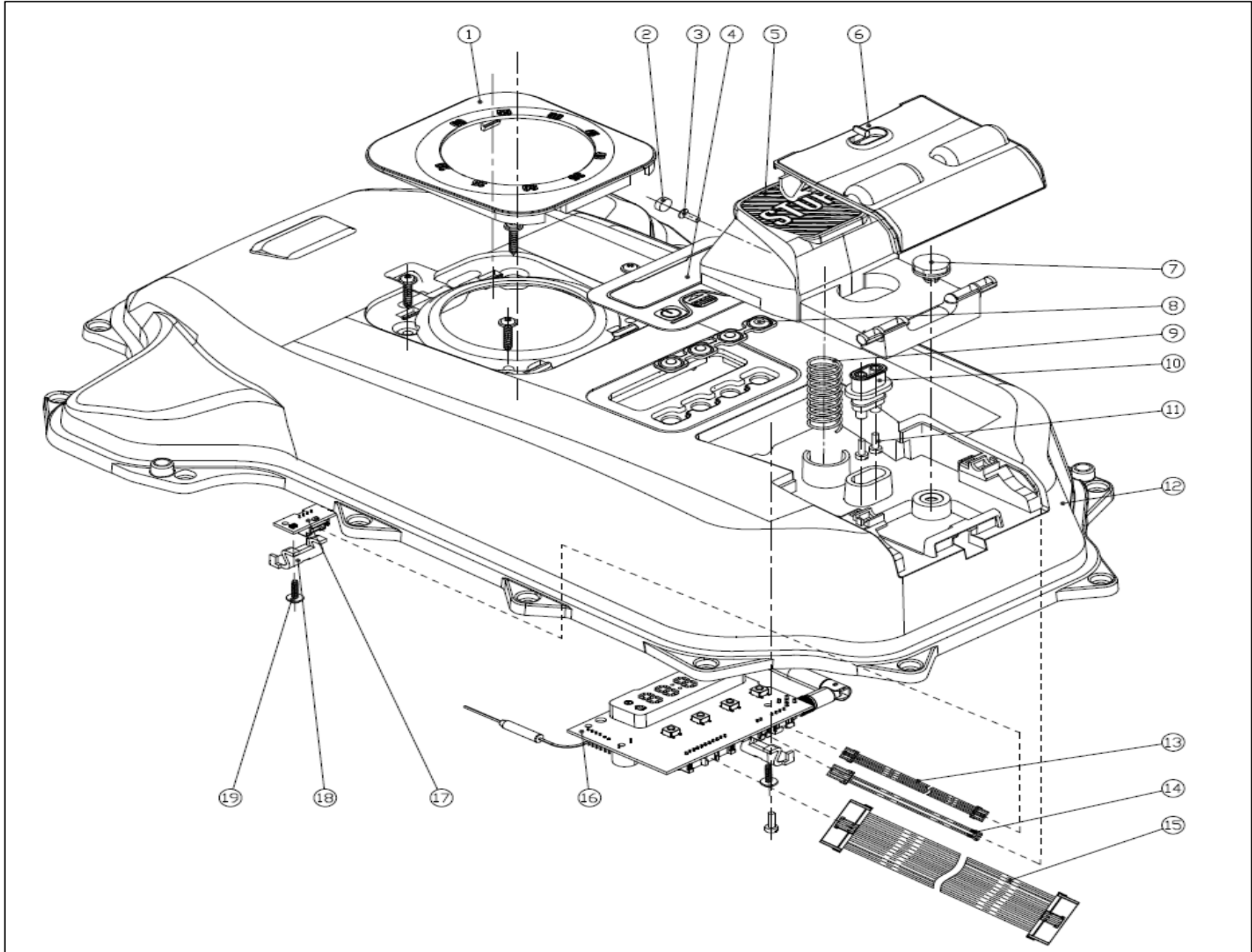
POS	QTY	PARTNUMBER	BESKRIVELSE	DESCRIPTION
43	1	451158	KONTROLPANEL	MULTIFUNCTIONAL PCB
44	2	451159	LEDNINGSNET	WIRE HARNESSSES



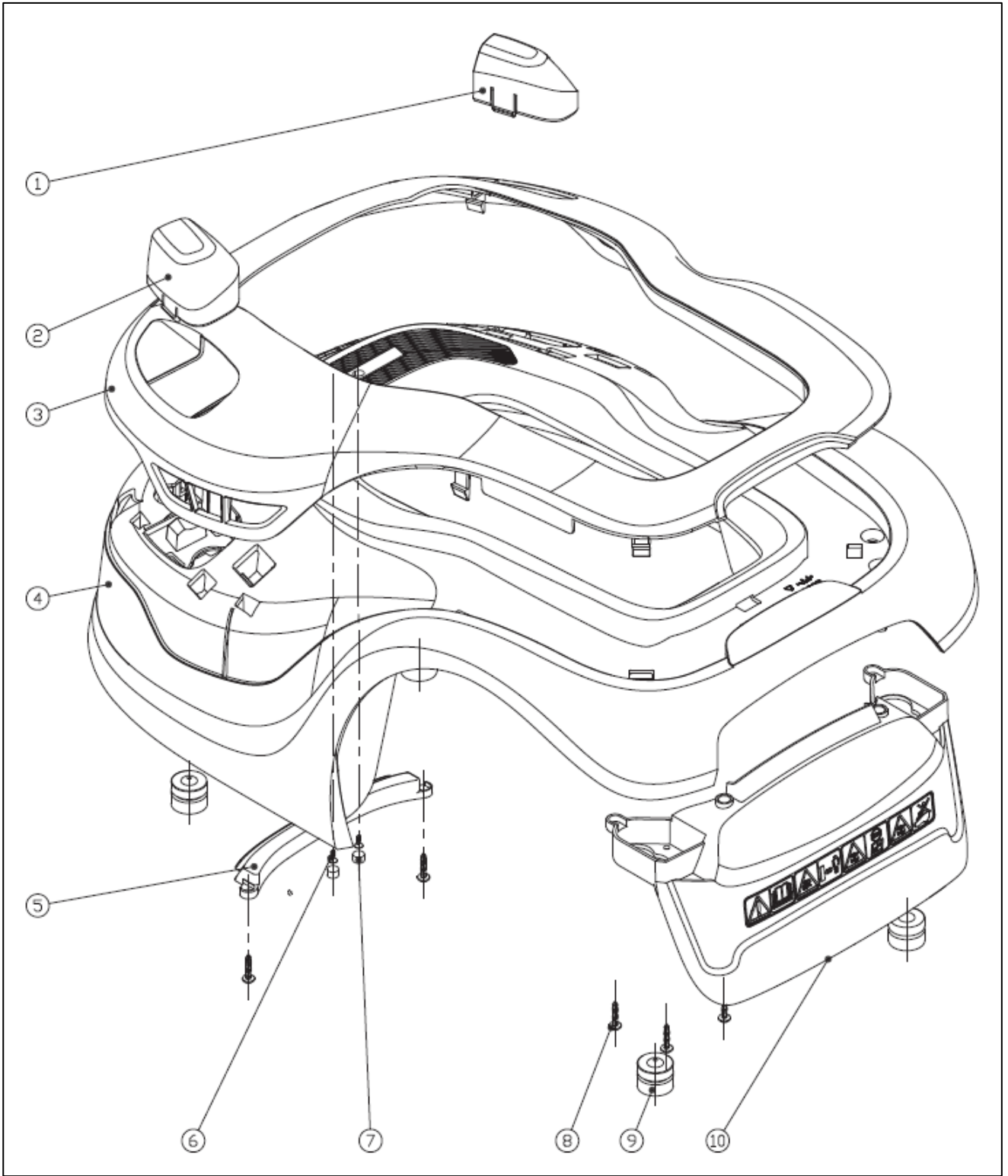
POS	QTY	PARTNUMBER	BESKRIVELSE	DESCRIPTION
1	1	451160	BUNDPLADE FOR LADESTATION	CHARGING PLATE ASSEMBLY
2	1	448965	BAGPLADE TIL LADESTATION	CHARGING STATION REAR PLATE
3	1	451161	LADEPOLE INKL. PRINTKORT	CHARGING POLE ASSEMBLY (SUPER WIFI)
4	4	448939	SKRUE ST3.9X18	SCREW (SUS304)
5	1	451162	LADEPOLE INKL. PRINTKORT	CHARGING INDICATOR BOARD
6	1	448969	DÆKSEL TIL BAGPLADE	CHARGING STATION COVER
7	1	451163	INDIKATORPANEL	INDICATOR LIGHT PANEL
8	2	448970	LÅG	LOCKING COVER
9	1	448967	LYSPANEL	INDICATOR LIGHT PANEL
10	1	453634	STRØMKABEL	POWER SUPPLY CABLE
11	1	449003	STRØMFORSYNING 3A	POWER SUPPLY



POS	QTY	PARTNUMBER	BESKRIVELSE	DESCRIPTION
1	1	450035	LUFTFILTER	AIR FILTER
2	8	448939	SKRUE ST3.9X18	SCREW (SUS304)
3	1	448972	MOTORDÆKSEL	MOTOR COVER
4	1	448973	PAKNING/FORSEGLING	MOTOR COVER SEALING RING
5	1	453635	KLIPPEMOTOR	CUTTING MOTOR BASE
6	4	448979	AKSEL	ROTATION AXIS
7	1	451165	KLIPPESKJOLD	SHIELD
8	1	451166	KNIVHOLDER	CUTTING DISC
9	3	448981	KNIVBLAD	BLADE
10	3	448982	KNIVSKRUE M4X10	SCREW FOR BLADE
11	3	448983	SKRUE M4X12	SCREW
12	2	451167	BESLAG	CONNECTING ROD BRACKET
13	1	448977	NEDRE HOLDER	LOWER CONNECTING ROD
14	2	448975	FJEDER	DRAG SPRING
15	1	448974	ØVRE HOLDER	UPPER CONNECTING ROD
16	1	448984	LEDNING TIL KLIPPEMOTOR	CUTTING MOTOR CONNECTION WIRE



POS	QTY	PARTNUMBER	BESKRIVELSE	DESCRIPTION
1	1	451168	HØJDEJUSTERINGS PANEL	HEIGHT SIGNBOARD
2	1	448986	MAGNET	MAGNET
3	1	448988	SKRUE ST2.9X8	SCREW
4	1	453636	FORSEGLING	FILM KEY
5	1	453637	STOPKNAP	STOP BUTTON
6	1	451169	BAGDÆKSEL	REAR COVER
7	1	448989	UDLUFTNINGSVENTIL	VENT VALVE
8	1	448991	KNAPPER	FILM KEY RUBBER
9	1	448992	FJEDER	STOP SPRING
10	1	448993	REGNSENSOR	RAIN SENSOR
11	1	448994	SKRUE M3X8	SCREW
12	1	451170	ØVRE DÆKSEL	TOP COVER
13	1	451171	SENSORKABEL	COLLISION SENSOR WIRE
14	1	449000	REGNSENSOR KABEL	RAIN SENSOR WIRE
15	1	449001	DISPLAY KABEL	DISPLAY BOARD CONNECTION WIRE
16	1	453638	PRINTPLADE	PCBA ASSEMBLY OF DISPLAY BOARD
17	1	448996	SENSOR	COLLISION SENSOR PCBA
18	2	448997	SENSORPLADE	SENSOR PRESSING PLATE
19	2	448958	SKRUE ST2.9*12	SCREW (SUS304)



POS	QTY	PARTNUMBER	BESKRIVELSE	DESCRIPTION
1	1	453639	SENSOR HØJRE	ULTRASONIC RIGHT
2	1	453640	SENSOR VENSTRE	ULTRASONIC LEFT
3	1	453641	DECO COVER	DECORATIVE COVER
4	1	453642	COVER	FLOATING COVER
5	1	453643	FORLYS	HEADLIGHT ASSEMBLY
6	2	448988	SKRUE ST2.9X8	SCREW
7	2	448986	MAGNET	MAGNET
8	8	448939	SKRUE ST3.9X18	SCREW (SUS304)
9	4	451177	GUMMIKLODS	SWING ROD FIXING RUBBER
10	1	451178	DÆKSEL BAGERST	REAR COVER