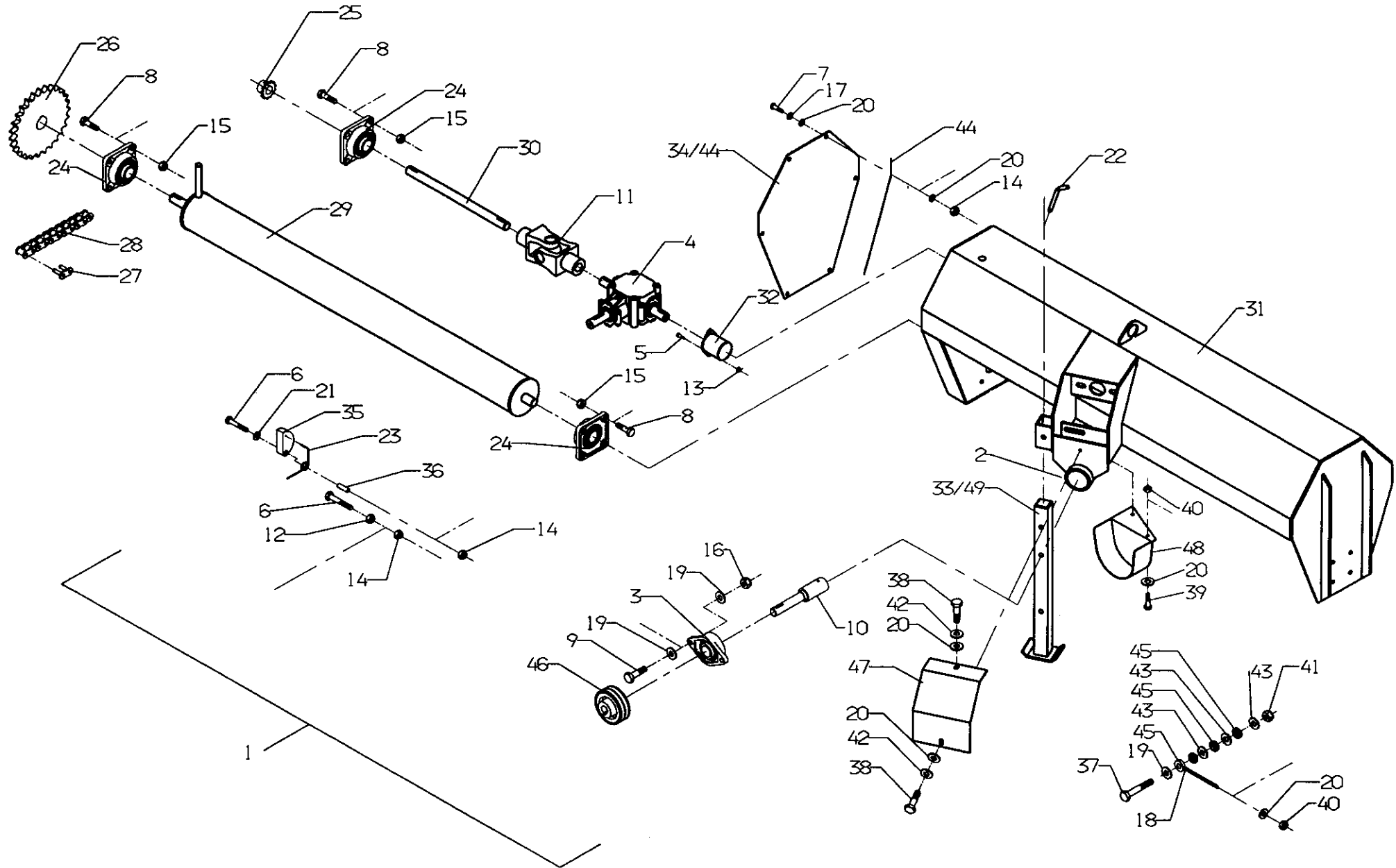


Kasse Hopper Behälter

Pos Res.no. Note

1	R7000000	Diamant Stenrive 1250+tillæg f	Diamant Stonerake 1250	Diamant Steinreche 1250
2	21060000	Smørenippel M6x1 lige	Grease nipple M6x1	Schmiernippel M6x1
3	21060001	Smørenippel M6x1-90g	Grease nipple M6x1	Schmiernippel M6x1
3	25020101	Flangeleje UCFL 205-Ø25	Flanged bearing 205-Ø25	Flanschenlager 205-Ø25
4	22002236	Mask. bolt M10x70 8.8 fzb	Machine bolt M10x70	Maschine Bolzen M10x70
4	22056300	Centerfjederskive M10 FZB	Spring washer M10	Federscheibe M10
4	22058501	Sværskive 3/8" FZB 23/11,5x2,5	Washer 3/8"	Scheibe 3/8"
4	23000502	Feder 8x7x25 form A	Key 8x7x25 form A	Feder 8x7x25 form A
4	23000510	Feder 8x7x40 form A	Key 8x7x40 form A	Feder 8x7x40 form A
4	26090100	T-gearkasse. 1,9:1	T-gearbox 1,9:1	Getriebe 1,9:1
5	22008204	Sætskrue M6x16 8.8 fzb	Set screw M6x16	Satzschraube M6x16
6	22008309	Sætskrue M8x50 8.8 fzb	Set screw M8x50	Setzschraube M8x50
7	22008303	Sætskrue M8x20 8.8 fzb	Set screw M8x20	Satzschraube M8x20
8	22008404	Sætskrue M10x30 8.8 fzb	Set screw M10x30	Satzschraube M10x30
9	22008505	Sætskrue M12x35 8.8 fzb	Set screw M12x35	Satzschraube M12x35
10	22018030	Stopskrue M8x10 45H sort m/kr	Headless screw M8x10	Anschlagsschraube M8x10
10	R7023000	Aksel ved gear, svejst	Shaft	Welle
10	23000506	Feder 8x7x30 form A	Key 8x7x30 form A	Feder 8x7x30 form A
11	22018042	Stopskrue M10x10 45H sort m/kr	Headless screw M10x10	Anschlagsschraube M10x10
11	26070000	Kardankryds G2100 Ø25/Ø25 N8	Universal joint	Kardankreuz
12	22050300	Møtrik M8 8.8 FZB	Nut M8	Mutter M8
13	22052002	Låsemøtrik M6 FZB	Lock nut M6	Gegenmutter M6
14	22052003	Låsemøtrik M8 FZB	Lock nut M8	Gegenmutter M8
15	22052004	Låsemøtrik M10 FZB	Lock nut M10	Gegenmutter M10
16	22052005	Låsemøtrik M12 FZB	Lock nut M12	Gegenmutter M12
17	22056200	Centerfjederskive M8 fzb	Spring washer M8	Federscheibe M8
18	R7029000	Strammer f. 1250 rive	Adjuster	Spanner
19	22058309	Sværskive 1/2" FZB 29/14,5x3	Washer 1/2"	Scheibe 1/2"
20	22058402	Facetskive 5/16" FZB 18/8,4x2	Facet disc 5/16"	Facettenscheibe 5/16"
21	22058600	Skive M8 FZB 24/8,4x2	Washer M8	Scheibe M8
22	23006021	Hårnålesplit Ø3 type B	Split Pin Ø3	Splinte Ø3
22	R9003000	Nagle f. støtteben	Pin	Stift
23	23006511	Armfjeder venstre	Armspring, lh	Armfeder, lh
24	25020100	Flangeleje UCF 205-Ø25	Flanged bearing 205-Ø25	Flanschenlager 205-Ø25
25	26020023	Simp. kædehjul 1/2"-132/Ø25-N8	Chain wheel 1/2"	Kettenrad 1/2"
26	26020502	Simp. kædehjul 1/2"-352/Ø25	Chain wheel 1/2"	Kettenrad 1/2"
27	26030021	Udv. samleled simp.1/2"	Joint link	Zwischenglied
28	R7002123	Kæde 1/2"x5/16", 80 led	Chain 1/2"x5/16"	Kette 1/2"x5/16"
29	R7021000	Rotor for rive 1250, svejst	Rotor	Rotor
29	23000506	Feder 8x7x30 form A	Key 8x7x30 form A	Feder 8x7x30 form A
30	23000506	Feder 8x7x30 form A	Key 8x7x30 form A	Feder 8x7x30 form A
30	R7024000	Drivaksel	Shaft	Welle
31	R7027000	Ramme for rive 1250, svejst	Frame	Rahmen
32	R7030000	Dæksel for gearkasse	Cap	Deckel
33	R9002000	Støtteben, svejst	Support leg	Stützbein
34	R9107000	Endeplade i drivside	Endplate	Endeplatte



1250

Kasse

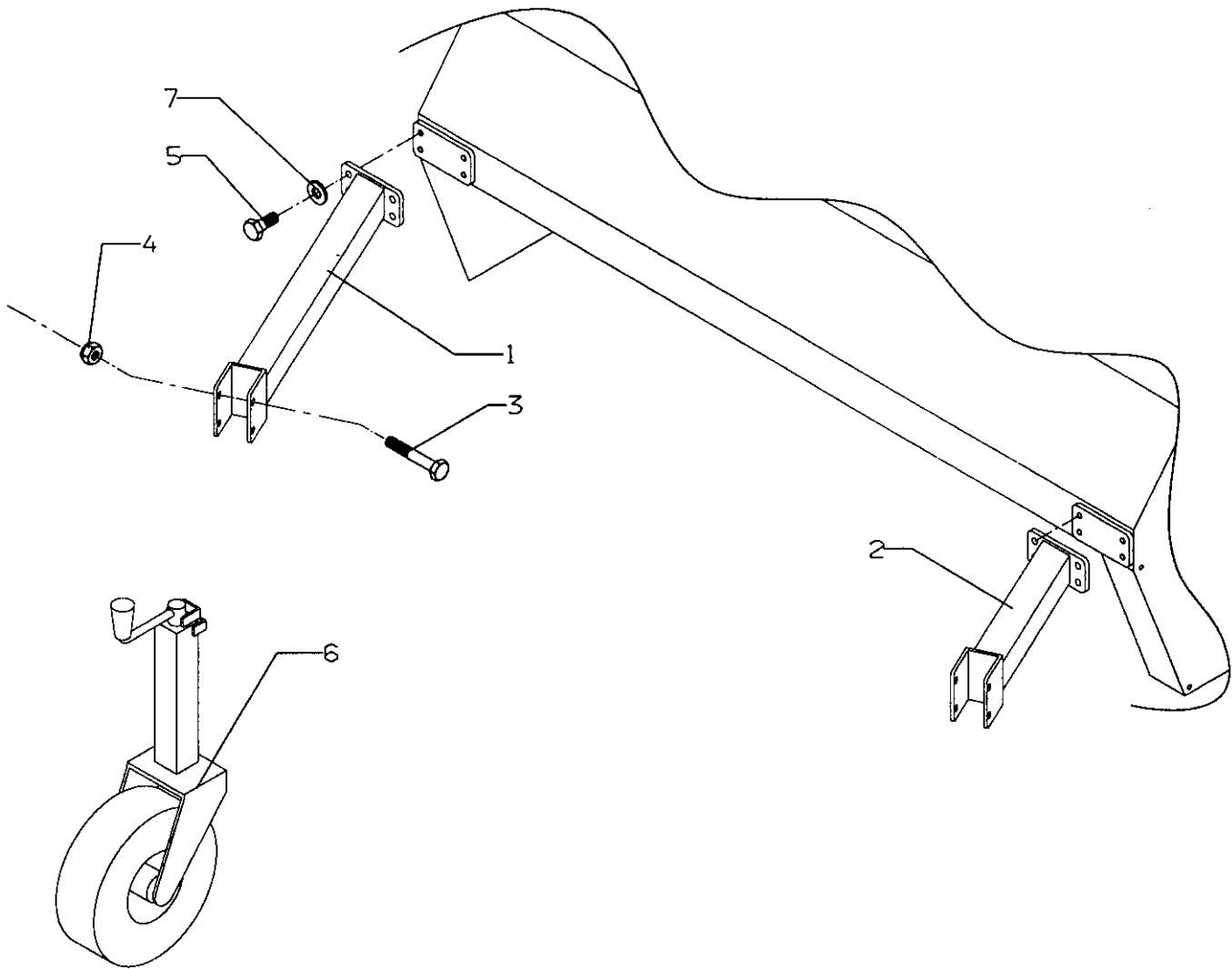
Hopper

Behälter

Pos Res.no.

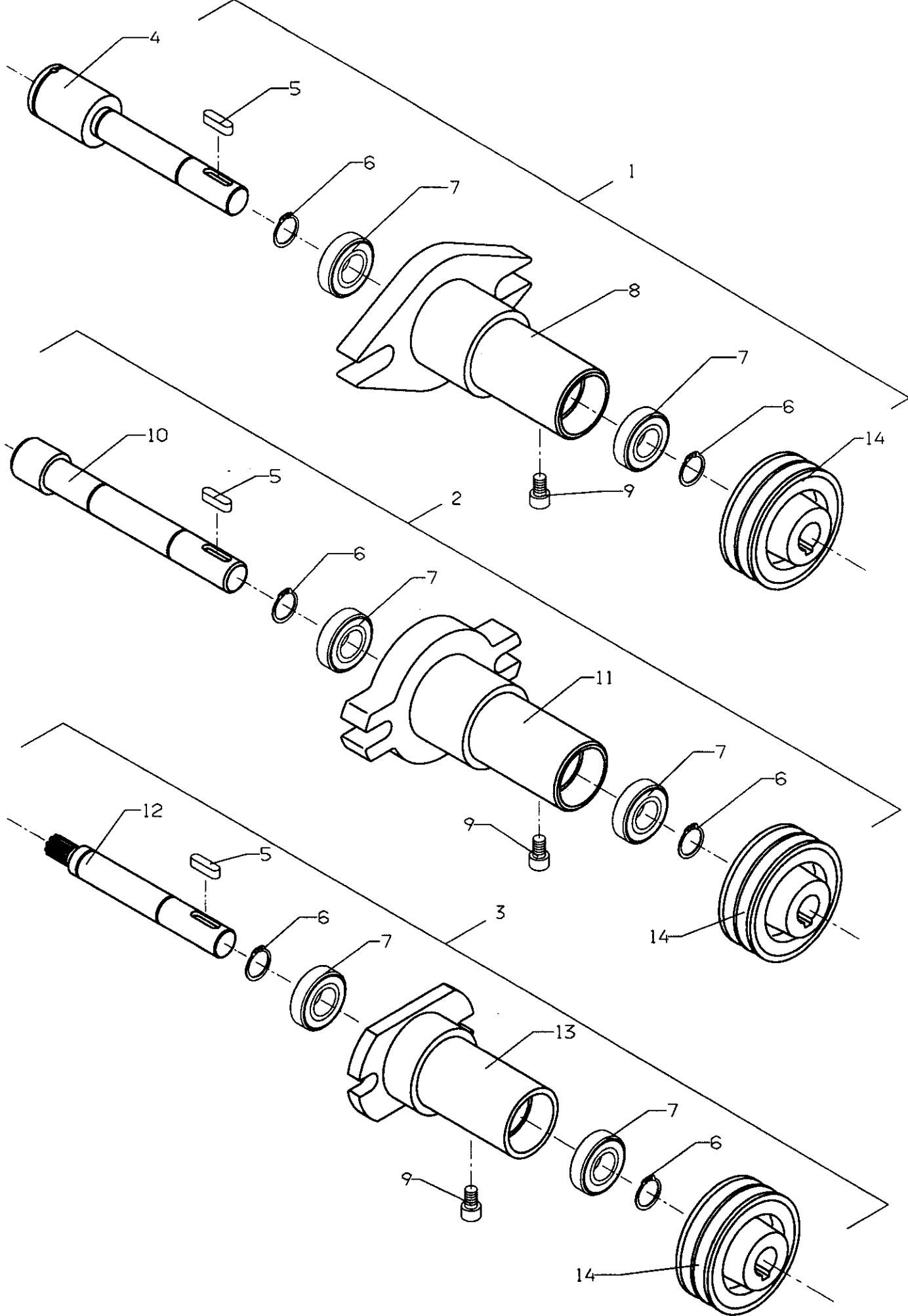
Note

35	V4110106	Strammeklods B=25 f. kost	Tension block	Spannklotz
36	V4110107	Rør f. strammeklods	Pipe	Rohr
37	22002305	Mask. bolt M12x70 8.8 fzb	Machine Bolt M12x70	Maschine Bolzen M12x70
38	22008302	Satskrue M8x16 8.8 fzb	Set screw M8x16	Setzschraube M8x16
39	22008303	Satskrue M8x20 8.8 fzb	Set screw M8x20	Satzschraube M8x20
40	22052003	Låsemøtrik M8 FZB	Lock nut M8	Gegenmutter M8
41	22052005	Låsemøtrik M12 FZB	Lock nut M12	Gegenmutter M12
42	22056200	Centerfjederskive M8 fzb	Spring washer M8	Federscheibe M8
43	22058302	Sværskive 7/16" FZB 26/13x2,5	Washer 7/16"	Scheibe 7/16"
44	8000066	D-liste cellegummi	D-fillet, rubber	D-Kehlung, Gummi
45	25000300	Sporkugleleje 6201-2RS	Step ball bearing 6201-2RS	Spurkugellager 6201-2RS
46	26000003	Remskive 2A100/Ø25-N8+skrue	Belt pulley 2A100/Ø25	Riemenscheibe 2A100/Ø25
46	26010001	Kilerem A27 13x8x686	Wedgebelt A27	Keilriemen A27
47	R7022000	Afskærmning ved ophæng	Screen	Schirm
48	R7028000	Skærm ved remskive, svejst	Screen	Schirm
49	8010002	Plastprop 40x40	Plastic plug	Plastik Pfropfen



1250

	Hjulkonsol	Wheelconsol	Radkonsolle	
Pos	Res.no.		Note	
1	R7025000	Lang hjularm, svejst	Long wheelattachment	Lang Radaufhangung
2	R7026000	Kort hjularm, svejst	Short wheelattachment	Kurz Radaufhangung
3	22002236	Mask. bolt M10x70 8.8 fzb	Bolt M10x70	Bolz M10x70
4	22052004	Låsemøtrik M10 FZB	Locking nut M10	Schliessmutter M10
5	22008402	Sætskrue M10x20 8.8 fzb	Set screw M10x20	Setzschraube M10x20
6	29003100	Støttehjul SHF 3-01 10" m/lås	Support wheel	Stützrad
6	29003101	Konsol KF.3.	Consol	Konsole
6	29003102	Møtrik 20TGx4-ø38	Nut ø38	Mutter ø38
6	29003103	Spindel 20TG	Spindle 20TG	Spindel 20TG
6	29003104	Håndtag	Handel	Handgriff
6	29003105	10" Luft gummi hjul	Wheel	Lauf Rad
6	29003106	Lås f.håndtag shf 3-01 10"	Lock	Schloss
7	22056300	Centerfjegerskive M10 FZB	Spring washer M10	Federscheibe M10



Sæt, aksler

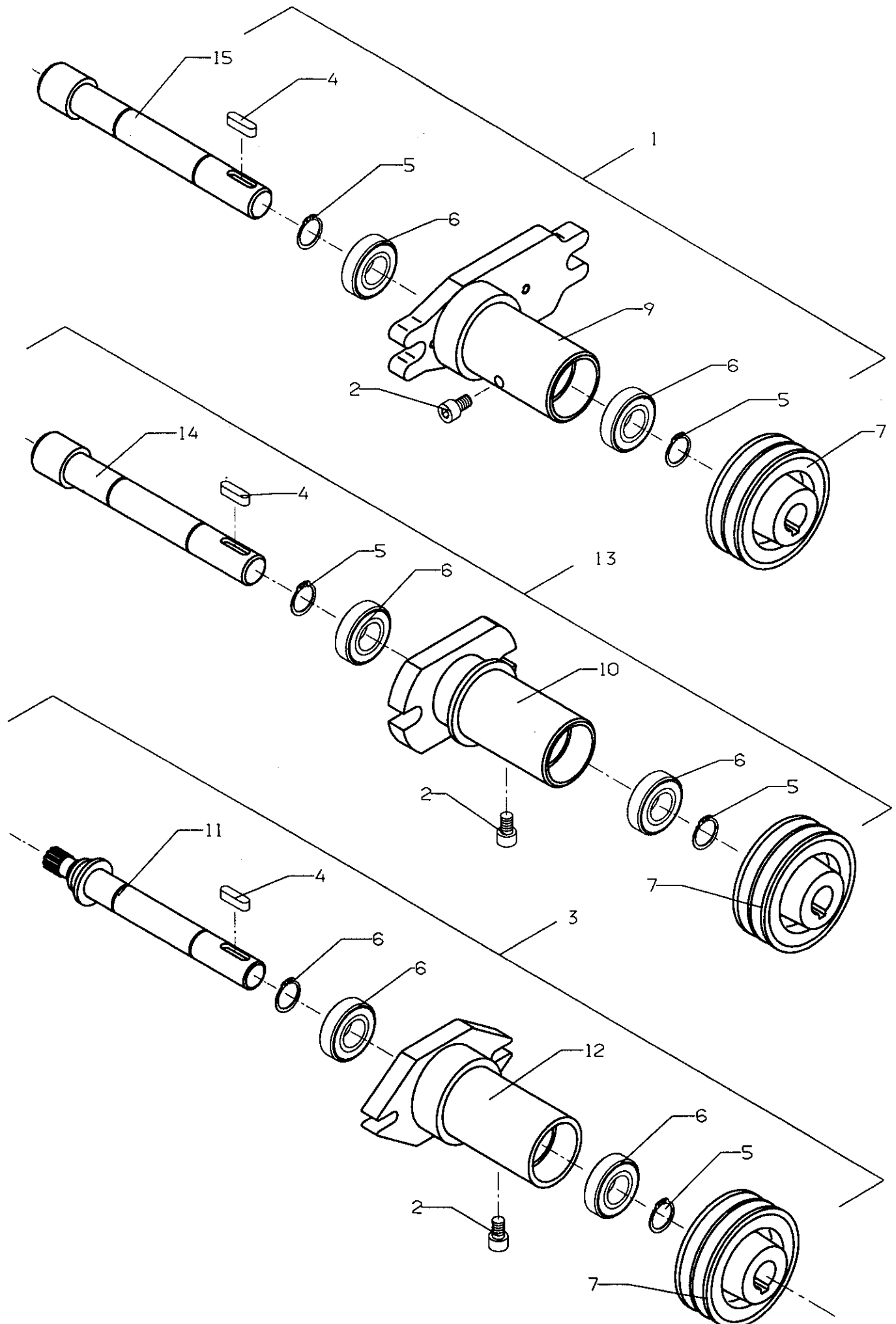
Set, shafts

Satz, Ehelle

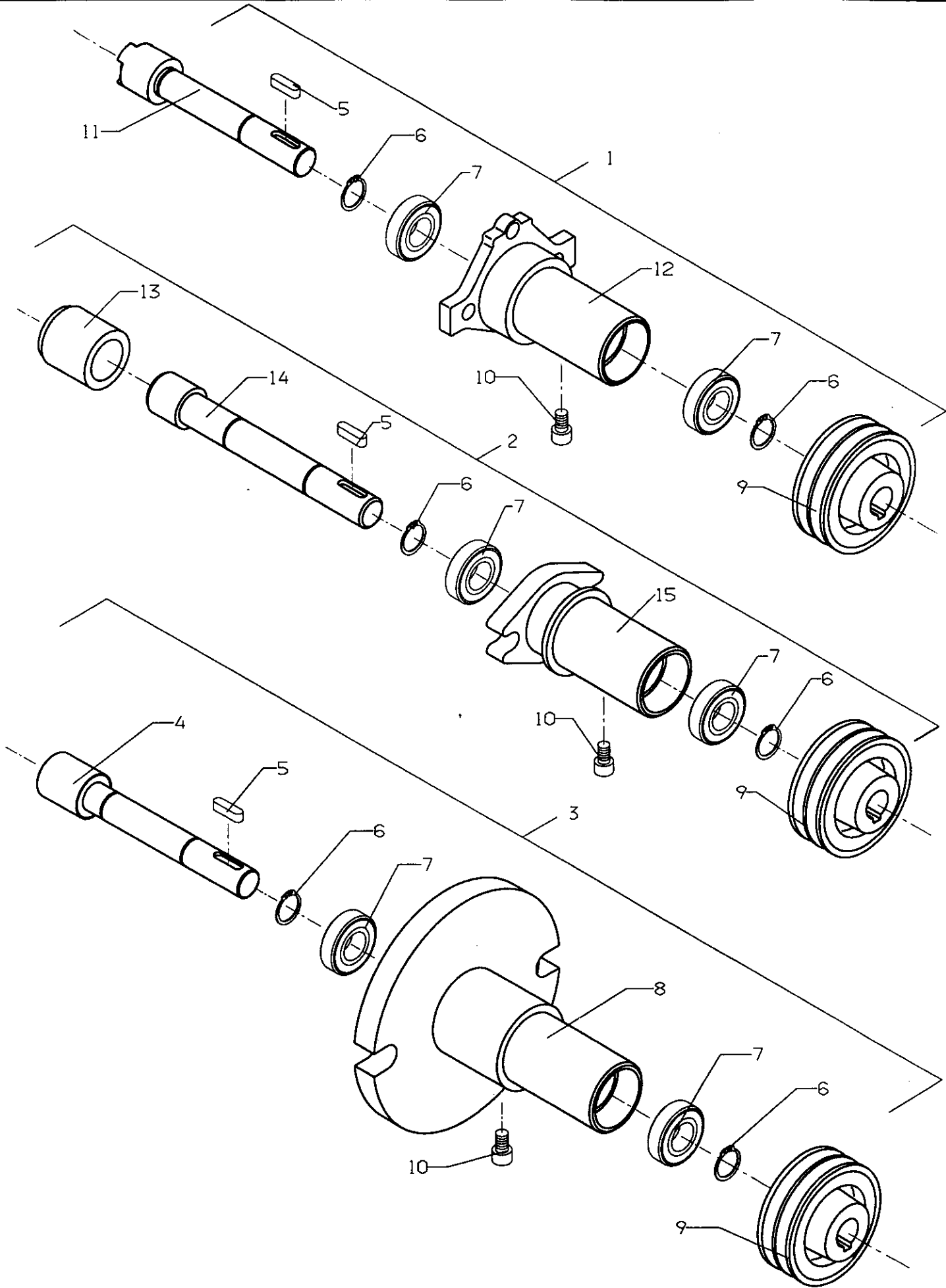
Pos Res.no.

Note

1	R7052000	Sæt, aksler f. Goldoni SP140	Set, shaft f. Goldoni SP140	Satz, Welle f. Goldoni SP140
2	R7055000	Sæt, aksler f. Valpadana	Set, shaft f. Valpadana	Satz, Welle f. Valpadana
3	R7060000	Aksel f. BCS735/Grillo85-107/Te	Shaft f. BCS735/Grillo85-107/Te	Welle f. BCS735/Grillo85-107/Te
4	R7052041	Svejst aksel f. Goldoni 140	Shaft	Welle
5	23000506	Feder 8x7x30 form A	Key 8x7x30 form A	Feder 8x7x30 form A
6	23000510	Låsering Ø25 udvendig	Ring lock ø25	Schliessring ø25
7	25000600	Sporkugleleje 6205-2RS	Step ball bearing 6205-2RS	Spurkugellager 6205-2RS
8	R7052040	Bøsning f. Goldoni 140	Bush	Buchse
9	22012499	Skrue M10x16 8.8 CH fzb indiv.	Screw M10x16 8.8	Schraube M10x16 8.8
10	R7055040	Aksel for valpadana, svejst	Shaft	Welle
11	R7055041	Svejst lejehus for valpadana	Bearing house	Lagerhaus
12	R7060041	Aksel for BCS 735, svejst	Shaft	Welle
13	R7060040	Bøsning svejst f. BCS 735	Bush	Buchse
14	26000003	Remskive 2A100/Ø25-N8+skrue	Belt pulley 2A100/ø25	Riemenscheibe 2A100/ø25
14	22018030	Stopskrue M8x10 45H sort m/kra	Headless screw M8x10	Anschlagsschraube M8x10



Pos	Res.no.	Sæt, aksler	Set, shafts	Satz, Welle	Note
1	R7040000	Sæt, aksler f. Agria 3200/3400	Set, shaft f. Agria 3200/3400/	Satz, Welle f. Agria 3200/3400	
2	22012499	Skruer M10x16 8.8 CH fzb indiv.	Screw M10x16 8.8	Schraube M10x16 8.8	
3	R7050000	Sæt, aksler f. Goldoni 58A/59L	Set, shaft f. Goldoni 58A/59LD	Satz, Welle f. Goldoni 58A/59L	
4	23000506	Feder 8x7x30 form A	Key 8x7x30 form A	Feder 8x7x30 form A	
5	23005010	Låsering Ø25 udvendig	Ring lock ø25	Schliessring ø25	
6	25000600	Sporkugleleje 6205-2RS	Step ball bearing 6205-2RS	Spurkugellager 6205-2RS	
7	26000003	Remskive 2A100/Ø25-N8+skruer	Belt pulley 2A100/ø25	Riemenscheibe 2A100/ø25	
7	22018030	Stopskrue M8x10 45H sort m/kra	Headless screw M8x10	Anschlagsschraube M8x10	
8	R7050040	Svejst bøsning for goldoni 58/	Bush	Buchse	
9	R7040040	Svejst bøsning for agria 3200/	Bush	Busche	
10	R7045041	Bøsning f. nibbi svejst	Bush	Buchse	
11	R7050041	Aksel f. Goldoni 58/59	Shaft	Welle	
12	R7050040	Svejst bøsning for goldoni 58/	Bush	Buchse	
13	R7045000	Sæt, aksler f. Nibbi	Set, shaft f. Nibbi	Satz, Welle f. Nibbi	
14	R7045040	Aksel f. nibbi svejst	Shaft for Nibbi	Welle für Nibbi	
15	R7040041	Svejst aksel for agria 3200/34	Shaft for Agria 3200/3400	Welle für Agria 3200/3400	

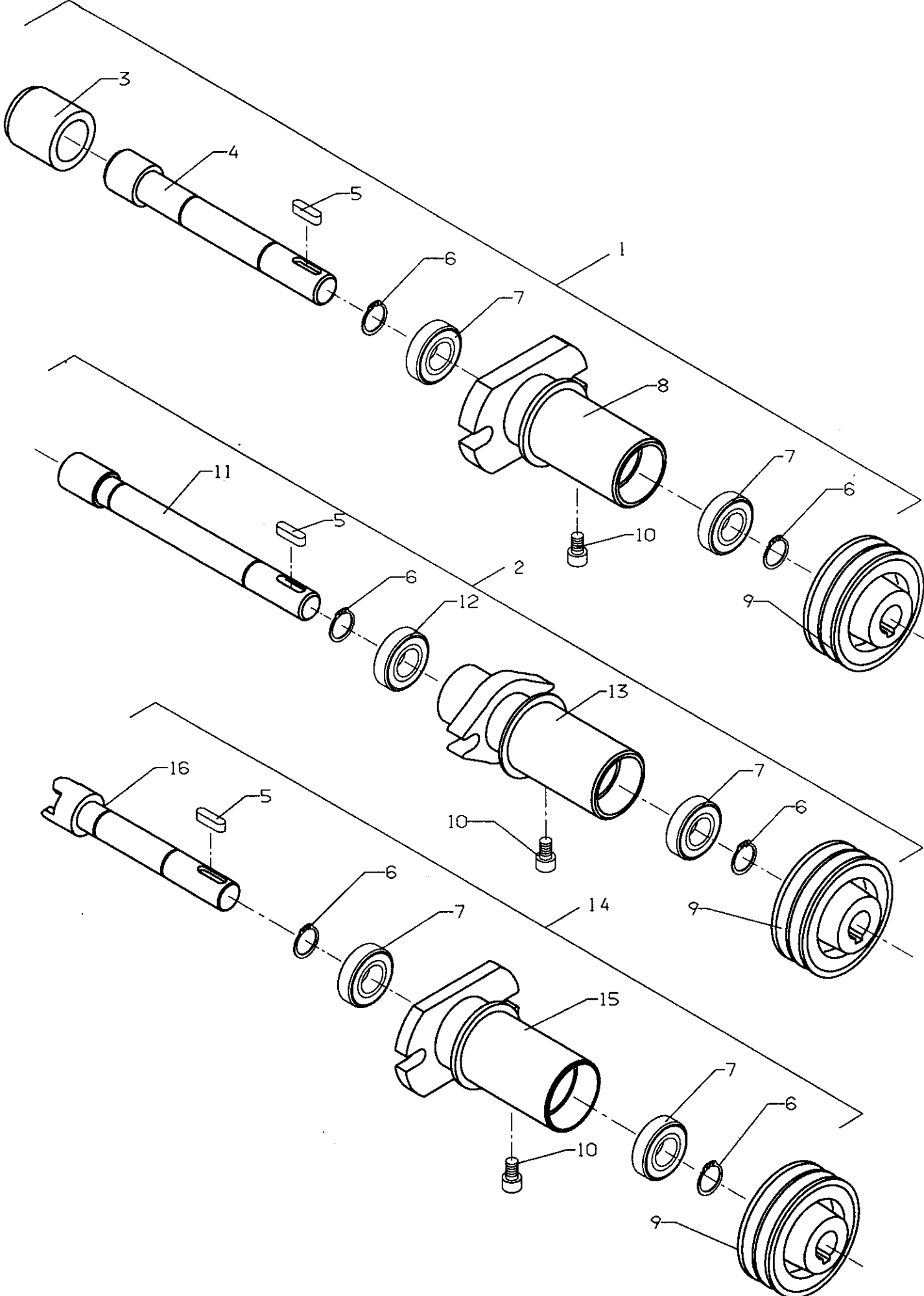


Sæt, aksler

Set, shafts

Satz, Welle

Pos	Res.no.				Note
1	R7061000	Sæt, aksler f. BCS 745	Set, shaft f. BCS 745	Satz, Welle f. BCS 745	
2	R7065000	Sæt, aksler f. Ferrari 72/92	Set, shaft f. Ferrari 72-92	Satz, Welle f. Ferrari 72-92	
3	R7070000	Sæt, aksler f. Irus 1200K	Set, shaft f. Irus 1200K	Satz, Welle f. Irus 1200K	
4	R7070041	Aksel f. Irus 1200	Shaft	Welle	
5	23000506	Feder 8x7x30 form A	Key 8x7x30 form A	Feder 8x7x30 form A	
6	23005010	Låsering Ø25 udvendig	Ring lock ø25	Schliessring ø25	
7	25000600	Sporkugleleje 6205-2RS	Step ball bearing 6205-2RS	Spurkugellager 6205-2RS	
8	R7070040	Bøsning f. Irus	Bush	Buchse	
9	26000003	Remskive 2A100/Ø25-N8+skrue	Belt pulley 2A100/ø25	Riemenscheibe 2A100/ø25	
9	22018030	Stopskrue M8x10 45H sort m/kra	Headless screw M8x10	Anschlagsschraube M8x10	
10	22012499	Skrue M10x16 8.8 CH fzb indiv.	Screw M10x16 8.8	Schraube M10x16 8.8	
11	R7061041	Aksel f. Bcs 745	Shaft	Welle	
12	R7061040	Svejst bøsning for BCS745	Bush	Buchse	
13	R7065102	Bøsning for Ferrari 72-92	Bush	Buchse	
14	R7065041	Svejst aksel for Ferrari 72-92	Shaft	Welle	
15	R7065040	Lejehus for Ferrari 72-92	Bearing house 72-92	Lagerhaus 72-92	



Sæt, aksler

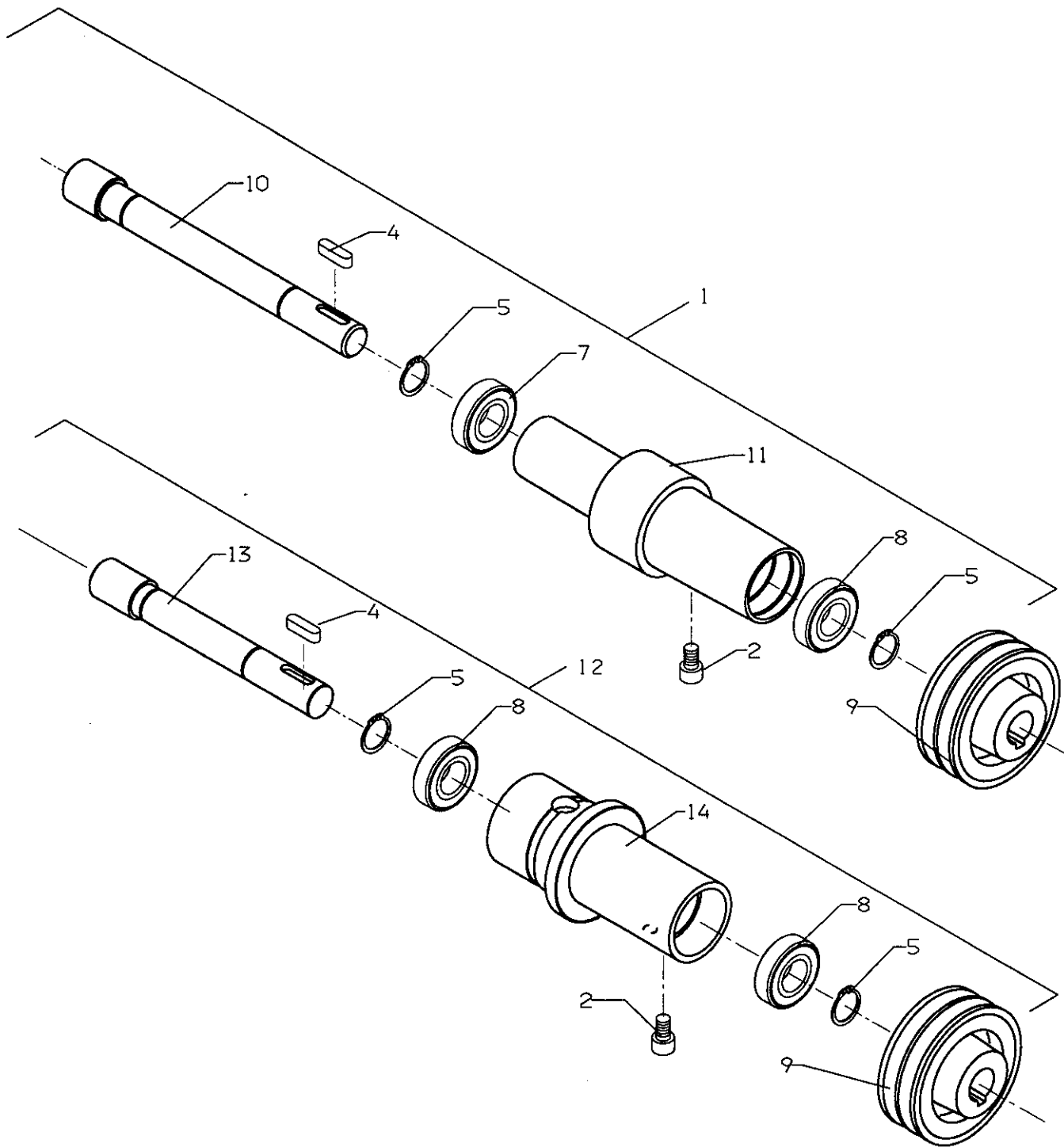
Set, shafts

Satz, Welle

Pos Res.no.

Note

Pos	Res.no.			
1	R7072000	Sæt, aksler f. Bertolini 315	Set, shaft f. Bertolini 315	Satz, Welle f. Bertolini 315
2	R7080000	Sæt, aksler f. Benassi MC350	Set, shaft f. Benassi MC350	Satz, Welle f. Benassi MC350
3	R7072102	Afstandsbesning	Distance bush	Abstandsstück
4	R7072041	Svejst aksel for Bertolini 315	Shaft	Welle
5	23000506	Feder 8x7x30 form A	Key 8x7x30 form A	Feder 8x7x30 form A
6	23005010	Låsering Ø25 udvendig	Ring lock ø25	Schliessring ø25
7	25000600	Sporkugleleje 6205-2RS	Step ball bearing 6205-2RS	Spurkugellager 6205-2RS
8	R7072040	Svejst besning for Bertolini 3	Bush	Buchse
9	26000003	Remskive 2A100/Ø25-N8+skruer	Belt pulley 2A100/ø25	Riemenscheibe 2A100/ø25
9	22018030	Stopskrue M8x10 45H sort m/kra	Headless screw M8x10	Anschlagsschraube M8x10
10	22012499	Skruer M10x16 8.8 CH fzb indiv.	Screw M10x16 8.8	Schraube M10x16 8.8
11	R7080040	Aksel sv. Benassi MC 350	Shaft	Welle
12	25000112	Sporkugleleje 6005-2RS	Step ball bearing 6005-2RS	Spurkugellager 6005-2RS
13	R7080041	Besning sv. Benassi MC 350	Bush	Buchse
14	R7066000	Sæt, aksler f. Ferrari340/740-	Set, shaft f. Ferrari 340/740-	Satz, Welle f. Ferrari340/740-
15	R7066040	Svejst besning for Ferrari 340	Bush f. Ferrari 340/740-BCS640	Satz, Buchse f.Ferrari340/740-
16	R7066041	Svejst aksel for Ferrari 340	Shaft f. Ferrari 340/740-BCS 6	Welle f. Ferrari 340/740-BCS 6



1250

Sæt, aksler

Set, shafts

Satz, Welle

Pos Res.no.

Note

Pos	Res.no.	Sæt, aksler	Set, shafts	Satz, Welle
1	R7085000	Sæt, aksler f. SEP 1000 Specia	Set, shaft f. SEP 1000 special	Satz, Welle f. SEP 1000 specia
2	22012499	Skruer M10x16 8.8 CH fzb indiv.	Screw M10x16 8.8	Schraube M10x16 8.8
3	22018030	Stopskruer M8x10 45H sort m/kra	Headless screw M8x10	Anschlagsschraube M8x10
4	23000506	Feder 8x7x30 form A	Key 8x7x30 form A	Feder 8x7x30 form A
5	23005010	Låsering Ø25 udvendig	Ring lock ø25	Schliessring ø25
6	23005112	Låsering Ø52 indvendig	Ring lock ø52	Schliessring ø52
7	25000112	Sporkugleleje 6005-2RS	Step ball bearing 6005-2RS	Spurkugellager 6005-2RS
8	25000600	Sporkugleleje 6205-2RS	Step ball bearing 6205-2RS	Spurkugellager 6205-2RS
9	26000003	Remskive 2A100/Ø25-N8+skruer	Belt pulley 2A100/ø25	Riemenscheibe 2A100/ø25
10	R7085040	Aksel for SEP 1000, svejst		
11	R7085100	Bøsning for SEP 1000	Bush for SEP 1000	Buchse für SEP 1000
12	R7056000	Sæt, aksler f. Valpadana Blitz	Set, shaft f. Valpadana Blitz	Satz, Welle f. Valpadana Blitz
13	R7056040	Aksel for Valpadana Blitz 120,	Shaft for Valpadana Blitz 120	Welle für Valpadana Blitz 120
14	R7056102	Lejehus for Valpadana Blitz 12	Bearin house f. Valpadana Blit	Lagerhaus f. Valpadana Blitz 1