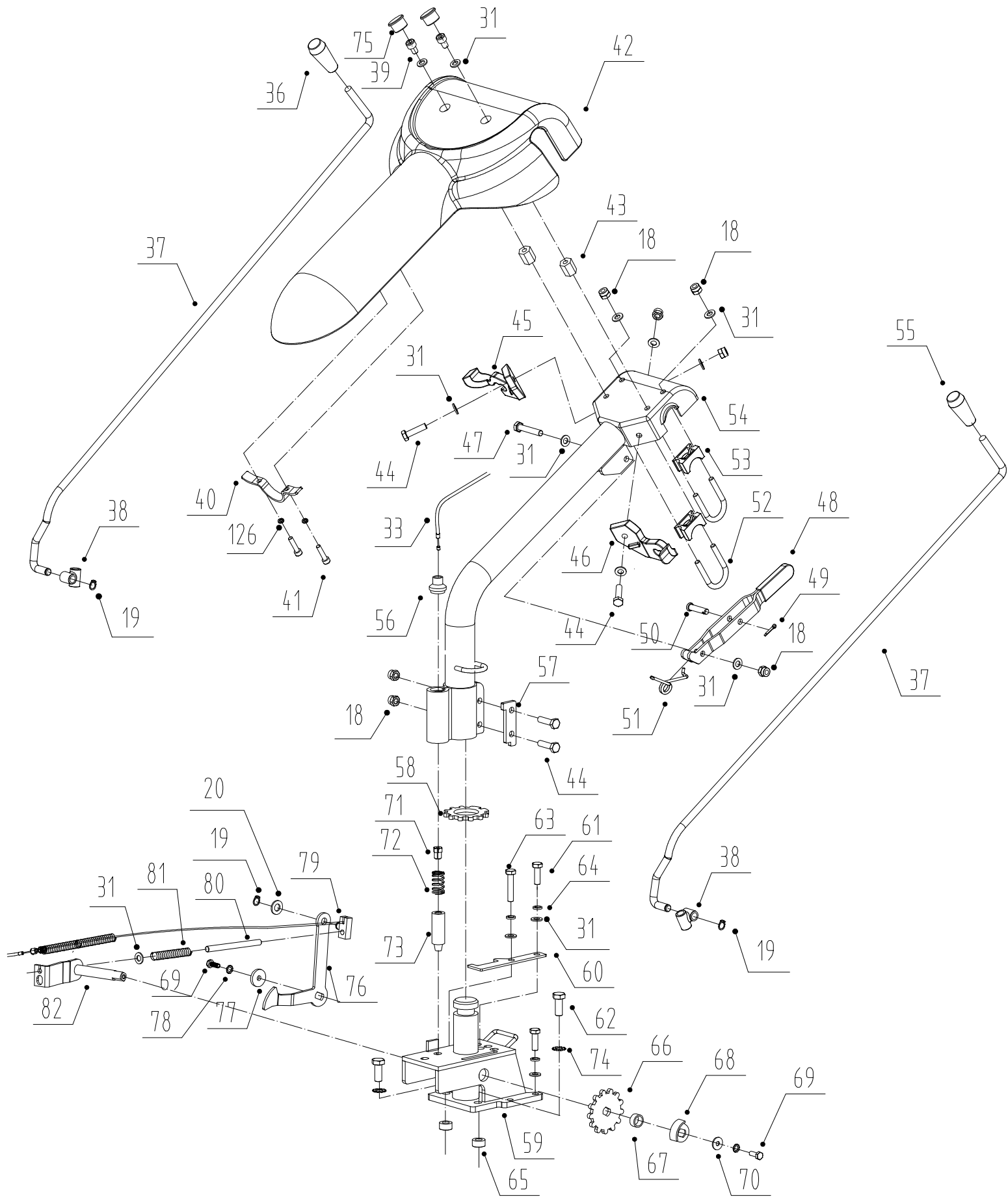
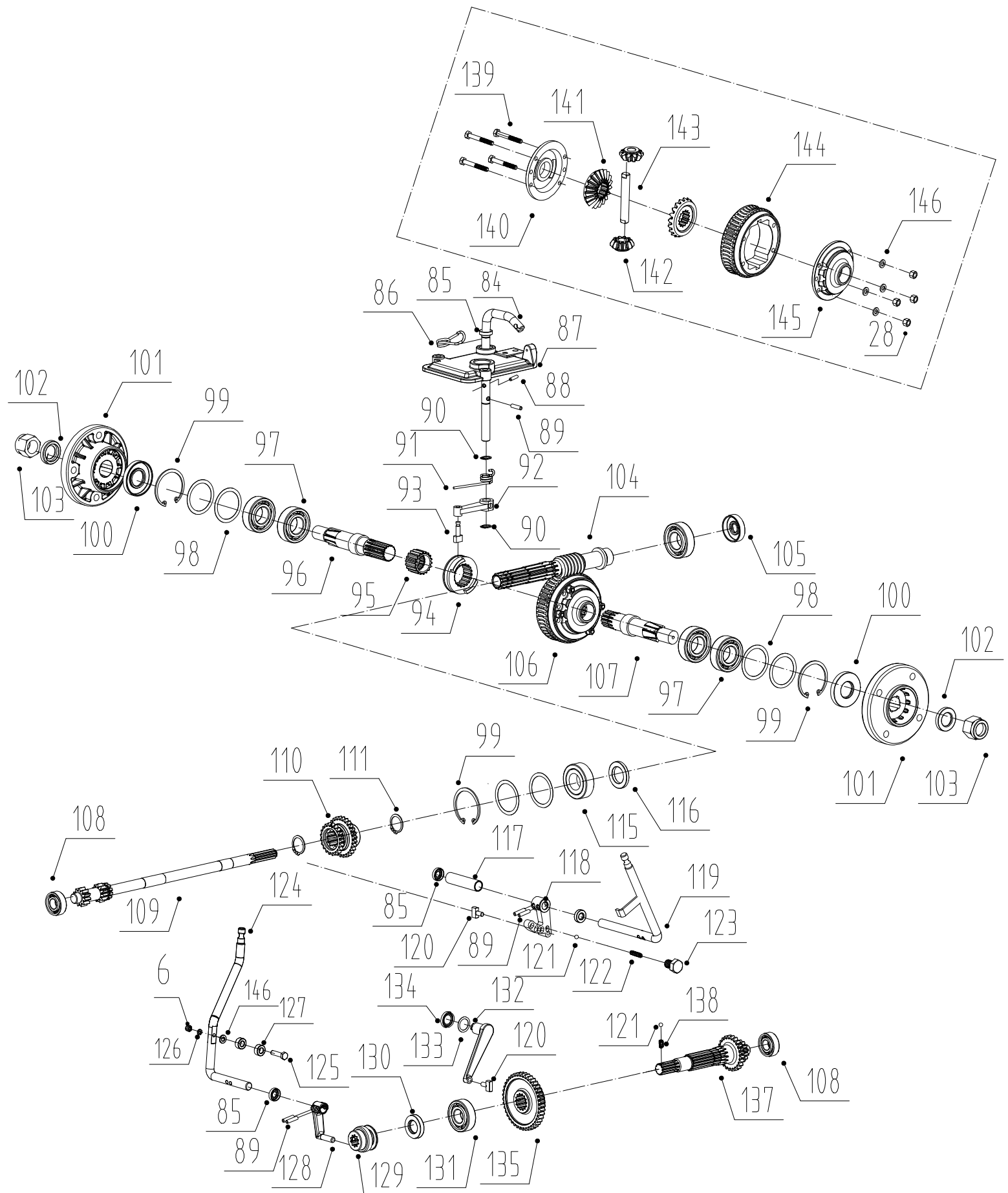


POS	QTY	PARTNUMBER	BESKRIVELSE	DESCRIPTION
1	1	422317	HÅNDTAG HØJRE	RIGHT HANDLE GRIP (PVC)
2	1	422318	HÅNDTAG VENSTRE	LEFT HANDLE GRIP (PVC)
3	2	422319	KOBLINGSGREB	CLUTCH HANDLE
4	1	422320	KOBLINGSKABEL	CABLE FOR DIFFERENTIAL MECHANISM
5	2	422321	BOLT M6X30	HEXAGON BOLT M6*30
6	2	422322	LÅSEMØTRIK M6	SELF-LOCKING NUT M6
7	1	422323	OVERSTYR PRO 950	HANDLE FOR PEO TRAC
8	1	422324	SKRUE ST4*10	CRUCIFORM SLOT SCREW ST4*10
9	1	422325	KABEL	FLAMOUT CABLE FOR PRO750D(950D) /THROTTL
10	1	422326	LEDNING	FLAMOUT WIRE
11	1	422327	KONTAKT	SWITCH ALWAYS OPEN
12	1	422328	HOLDER	BASE FOR START HANDLE
13	1	422329	FJEDER	SPRING FOR START HANDLE
14	1	422330	PIN 4*28	PIN FOR START HANDLE4*28
15	1	422331	DØDMANDSGREB	START HANDLE (RED)
16	1	422332	KABEL	FORWARD AND REVERSE CONTROLLED CABLE
17	1	422333	BESLAG TIL KABEL	FORWARD AND REVERSE CONTROLLED CABLE BAS
18	2	422334	LÅSEMØTRIK M8	SELF-LOCKING NUT M8
19	1	422335	SEEGERRING 10	CIRCLIP FOR SHAFT 10
20	1	422336	SKIVE 10	WASHER 10
21	1	422337	FJEDER	RESET TORSIONAL SPRING
22	1	422338	GEARARM	FORWARD AND REVERSE CONTROLLED HANDLE
23	1	422339	HÅNDTAG	FORWARD AND REVERSE CONTROLLED HANDLE GR
24	1	422340	BØSNING 16X8.5X15	BUSHING ?16*?8.5*15
25	1	422341	BASE	FORWARD AND REVERSE CONTROLLED HANDLE BA
26	1	422342	BOLT M8X45	HEXAGON BOLT M8*45
27	1	422343	GASREGULERING	GASLEVER
28	2	422344	MØTRIK M6	HEXAGON NUT M6
29	1	422345	GASKABEL	THROTTLE CABLE FOR PRO750D/PRO950D
30	2	422346	SEEGERRING 8	CIRCLIP FOR SHAFT 8
31	1	422347	SKIVE 8	WAHSER 8
32	1	422348	GREB	TURNING CONTROLLED HANDLE
33	1	422349	KABEL	TURNING CONTROLLED CABLE
34	1	422350	BØS	AXIS FOR TURNING CONTROLLED HANDLE
35	1	422351	SKRUE M6*6	CONCAVE END SET SCREW M6*6
83	1	422352	SKIVE 4	BIG WASHER 4



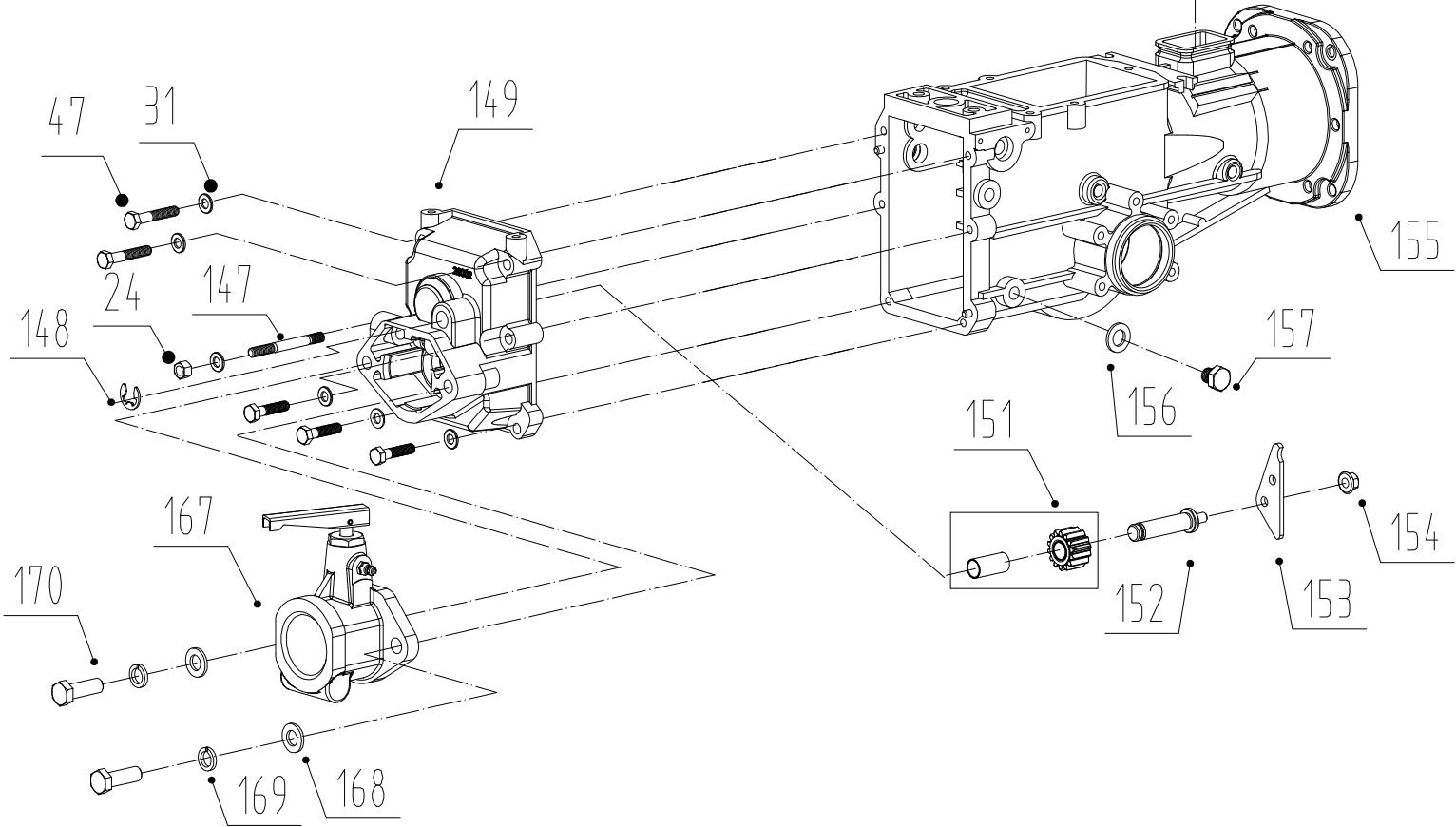
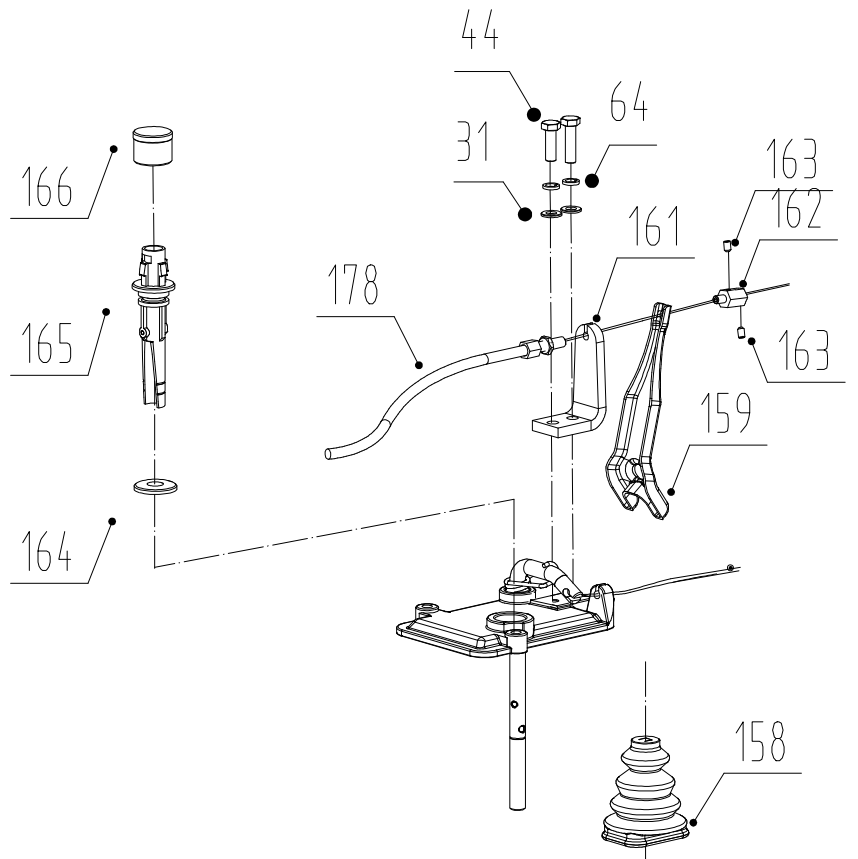
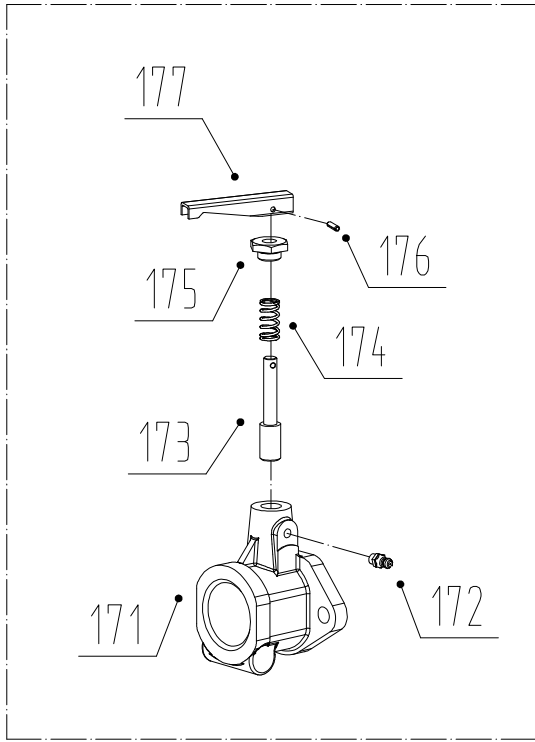
POS	QTY	PARTNUMBER	BESKRIVELSE	DESCRIPTION
36	1	422353	GREB RØD	GRIP(RED)
37	2	422354	ARM	GEAR CHANGE BAR
38	2	422355	HOLDER	CONNECT JOINT
19	3	422335	SEEGERRING 10	CIRCLIP FOR SHAFT 10
39	2	422356	UNBRAKOBOLT M8*10	HEXAGON SOCKET CAP SCREW M8*10
40	1	422357	BESLAG	BUMPER BLOCK
41	2	422358	UNBRAKOBOLT M6X20	HEXAGON SOCKET CAP SCREW M6*20
42	1	422359	SKÆRM PRO950	HANDLE COVER
43	2	422360	BØSNING	HEXAGON FIXED BUSHING
18	7	422334	LÅSEMØTRIK M8	SELF-LOCKING NUT M8
31	16	422347	SKIVE 8	WAHSER 8
44	4	422361	BOLT M8X30	HEXAGON BOLT M8*30 (GRADE 8.8)
45	1	422362	HOLDER HØJRE	RIGHT GUIDE BASE
46	1	422363	HOLDER VENSTRE	LEFT GUIDE BASE
47	2	422364	BOLT M8X45	HEXAGON BOLT M8*45 (GRADE 8.8)
48	1	422365	ARM	ADJUSTING HANDLE
49	2	422366	PIN 4	OPEN STOP PIN 4
50	1	422367	PIN 8*45	PIN 8*45
51	1	422368	FJEDER	SPRING FOR ADJUSTING HANDLE
52	2	422369	GEVINDBØJLE	U SHAPE BOLT
53	2	422370	STYRHOLDER	BASE FOR U SHAPE BOLT
55	1	422371	GREB SORT	GRIP(BLACK)
56	1	422372	BØS	BASE FOR TURNING CONTROLLED CABLE
57	1	422373	PLADE	LOCKING PLATE
58	1	422374	TANDHJUL	TURNING GEAR 1
59	1	422375	KONSOL	HANDLE BASE
60	1	422376	BESLAG	BUMPER PLATE
61	2	422377	BOLT M8X25	HEXAGON BOLT M8*25 (GRADE 8.8)
62	2	422378	BOLT M10*25	HEXAGON BOLT M10*25 (GRADE 8.8)
63	1	422379	BOLT M8X40	HEXAGON BOLT M8*40 (GRADE 8.8)
64	3	422380	FJEDERSKIVE 8	SPRING WASHER 8
65	2	422381	BØSNING 18X10*8.7	BUSHING ?18*?10*8.7
66	1	422382	TANDHJUL	TURNING GEAR 1
67	1	422383	BØSNING	BUSHING FOR TURNING GEAR
68	1	422384	PLADE	LIMIT BLOCK SLICE
69	2	422385	BOLT M6*16	HEXAGON BOLT M6*16 (GRADE 8.8)
70	1	422386	SKIVE 6	BIG WASHER 6
71	1	422350	BØS	AXIS FOR TURNING CONTROLLED HANDLE
72	1	422387	FJEDER	SPRING FOR LOWER HANDLE TURNING
73	1	422388	HOLDER	FIXED SHAFT

POS	QTY	PARTNUMBER	BESKRIVELSE	DESCRIPTION
20	1	422336	SKIVE 10	WASHER 10
74	1	422389	TANDSKIVE YDRE 10	EXTERNAL TEETH LOCK WASHER 10
75	2	422390	HÆTTE	BOLT HAT
76	1	422391	JUSTER ARM	ADJUSTING ARM
77	1	422392	SKIVE	BLOCK SLICE
78	2	422393	TANDSKIVE YDRE 6	EXTERNAL TEETH LOCK WASHER 6
79	1	422394	FORBINDER	GUIDE BLOCK
80	1	422395	AKSEL	GUIDE AXIS
81	1	422396	FJEDER	PRESSING SPRING FOR PRO950(750)
82	1	422397	ARM	ROCKER WELDED PART
126	2	422398	FJEDERSKIVE 6	SPRING WASHER 6

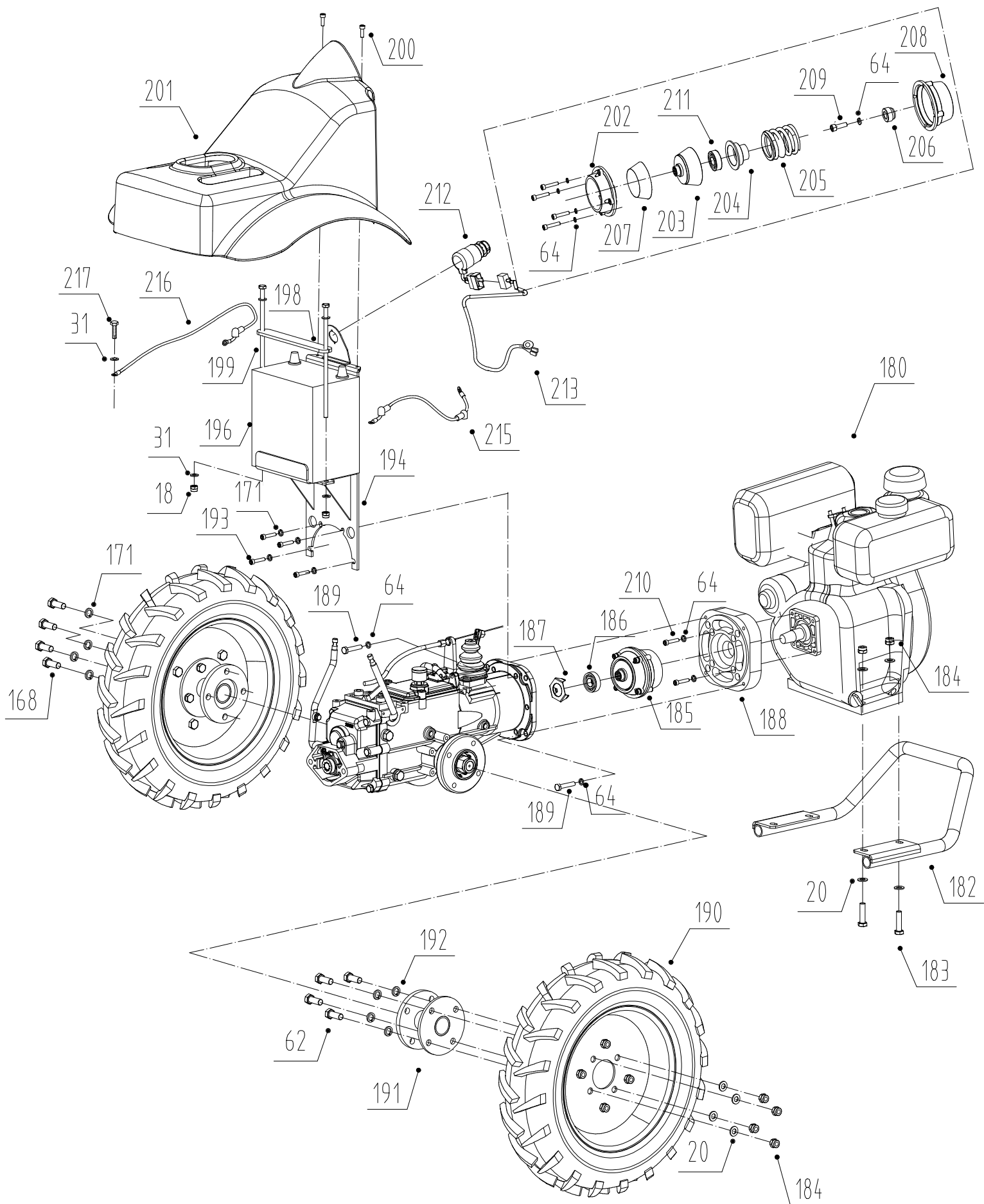


POS	QTY	PARTNUMBER	BESKRIVELSE	DESCRIPTION
6	1	422322	LÅSEMØTRIK M6	SELF-LOCKING NUT M6
84	1	422399	STANG	DIFFERENTIAL MECHANISM FORK BAR
85	3	422400	PAKDÅSE 12*19*5	SEALING12*19*5
86	1	422401	FJEDER	SPRING FOR DIFFERENTIAL MECHANISM
87	1	422402	DÆKSEL	UP COVER OF MAIN GEARBOX
88	1	422403	PIN 4*20	ELASTIC PIN 4*20
89	5	422404	PIN 5*20	ELASTIC PIN 5*20
90	2	422405	SEEGERRING 12	CIRCLIP FOR SHAFT 12
91	1	422406	FJEDER	TORSIONAL SPRING
92	1	422407	ARM	DIFFERENTIAL MECHANISM FORK
93	1	422408	SKIFTEARM	SHIFTING BLOCK TB 1
94	1	422409	TANDHJUL	CONNECT BUSHING FOR DIFFERENTIAL MECHAN
95	1	422410	TANDHJUL	SPLINE BUSHINGFOR LEFT HALF SHAFT
96	1	422411	AKSEL VENSTRE	LEFT HALF SHAFT
97	5	422412	LEJE 6205	BEARING 6205
98	6	422413	SKIVE	ADJUSTING WASHER FOR BEARING
99	3	422414	SEEGERRING 52	CIRCLIP FOR HOLE 52
100	2	422415	PAKDÅSE 25*52*8	SEALING 25*52*8
101	2	422416	NAVFLANGE	HUB
102	2	422417	BØS	HUB BUSHING
103	2	422418	LÅSEMØTRIK M20	SELF-LOCKING NUT M20
104	1	422419	AKSEL	WORM SHAFT(SHAFT ?)
105	1	422420	PAKDÅSE 15*40*10	SEALING 15*40*10
106	1	1057032	FJEDER	SPRING
107	1	422421	AKSEL HØJRE	RIGHT HALF SHAFT
108	2	422422	LEJE 6202	BEARING 6202
109	1	422423	AKSEL	SHAFT?
110	1	422424	TANDHJUL	MOVING GEAR
111	2	422425	SEEGERRING 25	CIRCLIP FOR SHAFT 25
112	1	422426	SKIVE	GEAR PAD 1
113	1	422427	TANDHJUL	GEAR 38
114	1	422428	SKIVE	GEAR PAD 2
115	1	422429	LEJE 7205B	BEARING 7205B
116	1	422430	SKIVE	BEARING PAD
117	1	422431	BØS	RANGE GEAR SHIFT FORK BUSHING
118	1	422432	ARM	RANGE GEAR SHIFT FORK
119	1	422433	STANG	RANGE GEAR SHIFT FORK BAR
120	2	422434	FØLER	SHIFTING BLOCK TB 2
121	2	422435	KUGLE	STEEL BALL 6.35
122	1	422436	FJEDER	MAIN LIMIT SPRING
123	1	422437	BOLT M12X17	MAIN LIMIT BOLT M12*17
124	1	422438	STANG	ACCESSAARY CLUTCH FORK BAR

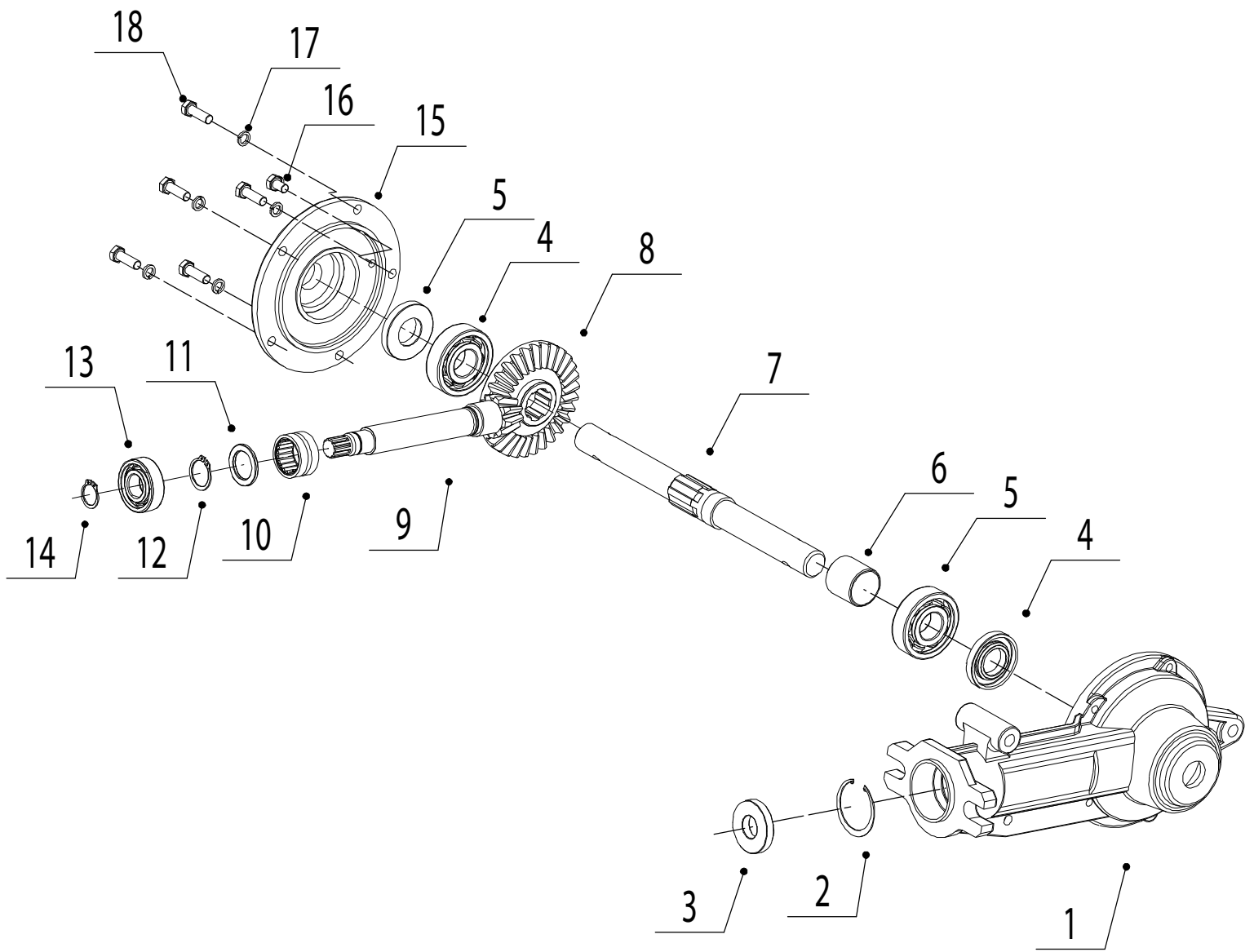
POS	QTY	PARTNUMBER	BESKRIVELSE	DESCRIPTION
125	2	422321	BOLT M6X30	HEXAGON BOLT M6*30
126	1	422398	FJEDERSKIVE 6	SPRING WASHER 6
127	2	422439	LEJE 607	BEARING 607
128	1	422440	ARM	ACESAARY CLUTCH FORK
129	1	422441	TANDHJUL	ACCEAARY CUTCH BUSHING
130	1	422442	PAKDÅSE 120*35*7	SEALING 120*35*7
131	1	422443	LEJE 6204	BEARING 6204
132	1	422444	ARM	RANGE GEAR SHIFT FORK
133	1	422445	BØS	BUSHING FOR RANGE GEAR SHIFT FORK
134	1	422446	LEJE 16*24*5	BEARING 16*24*5
135	1	422447	GEAR	MOVING GEAR ON SHAFT ?
136	1	422448	GEAR	GEAR 30
137	1	422449	AKSEL	SHAFT ?
138	1	422450	FJEDER	SPRING FOR ACCEAARY CUTCH BUSHING
139	4	422451	BOLT M6*45	HEXAGON BOLT M6*45
140	1	422452	SKÅL VENSTRE	DIFFERENTIAL MECHANISM LEFT COVER
141	2	422453	TANDHJUL	BIG BEVAL GEAR IN DIFFERENTIAL MECHANISM
142	2	422454	TANDHJUL	SMALL BEVAL GEAR IN DIFFERENTIAL MECHANISM
143	1	422455	AKSEL	SHAFT IN DIFFERENTIAL MECHANISM
144	1	422456	TANDHJUL	WORM IN DIFFERENTIAL MECHANISM
145	1	422457	SKÅL HØJRE	DIFFERENTIAL MECHANISM RIGHT COVER
146	5	422386	SKIVE 6	BIG WASHER 6



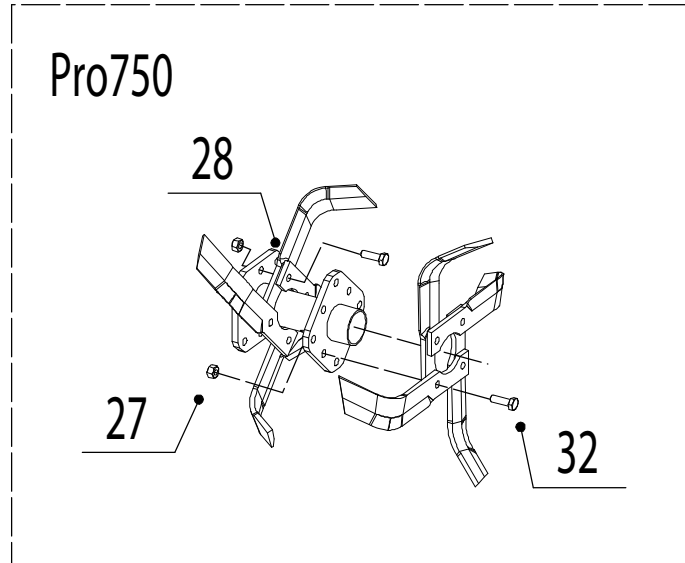
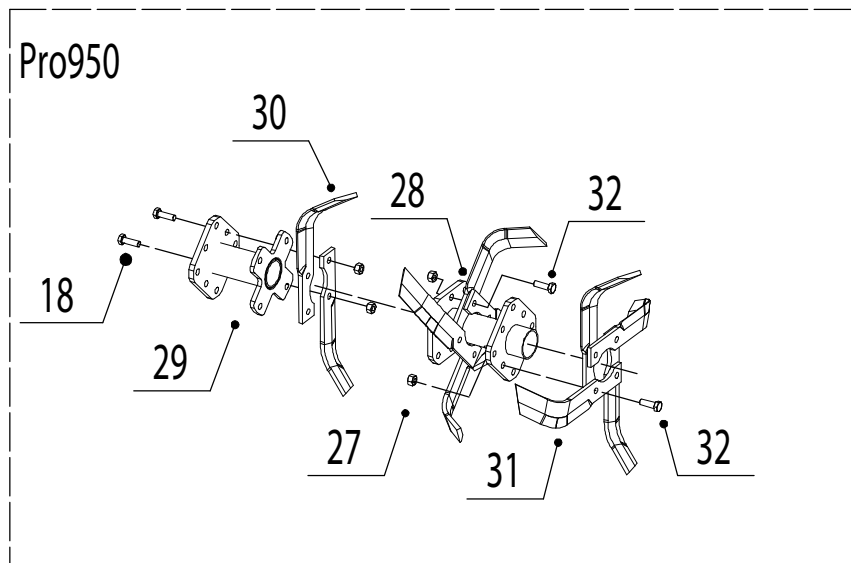
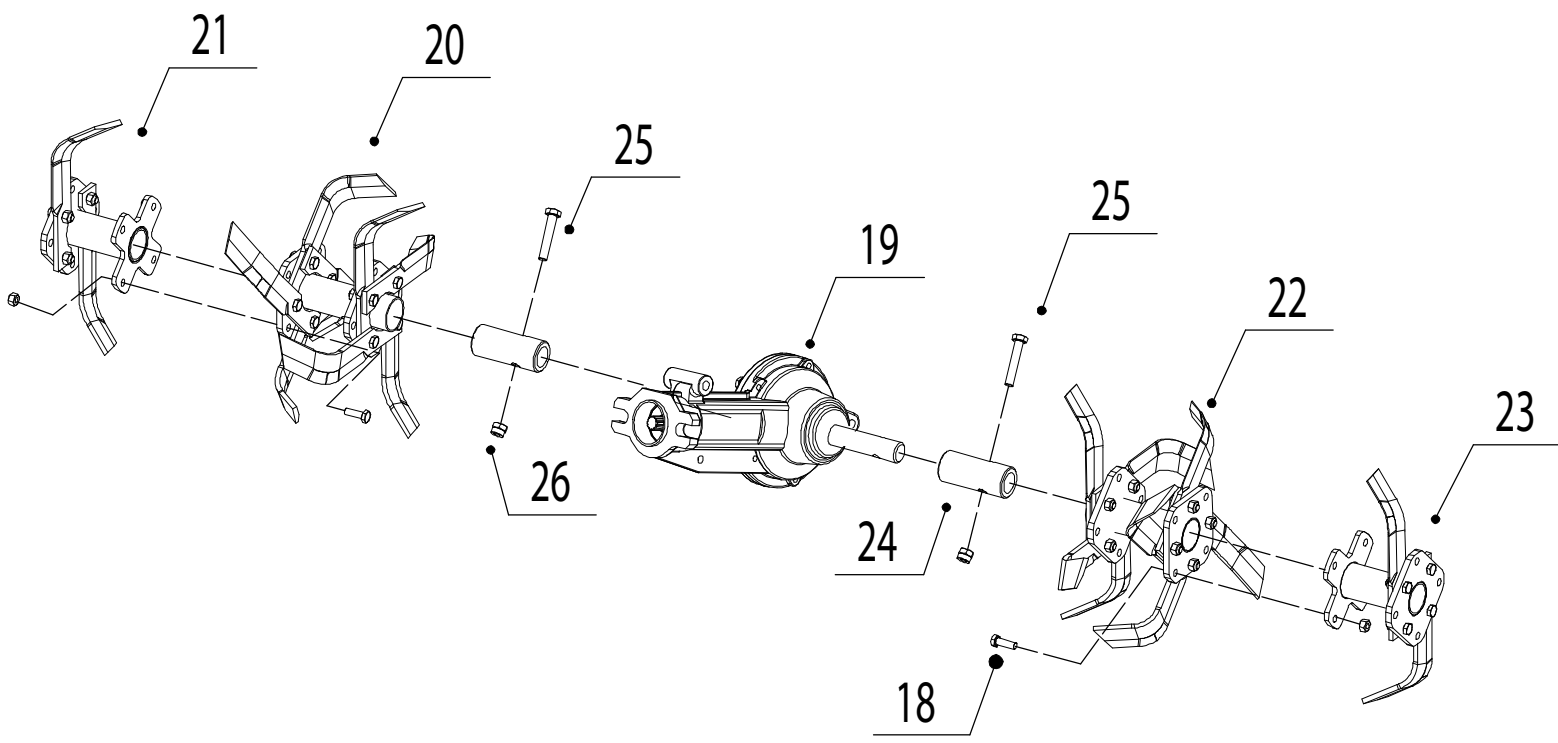
POS	QTY	PARTNUMBER	BESKRIVELSE	DESCRIPTION
24	1	422458	BØS 16*8.5*15	BUSHING ?16*?8.5*15
31	8	422347	SKIVE 8	WAHSER 8
47	5	422364	BOLT M8X45	HEXAGON BOLT M8*45 (GRADE 8.8)
147	1	422459	PINBOLT	STUD
148	1	422460	LÅSERING	OPEN LOCK CIRCLIP12
149	1	422461	HUS	BACK COVER OF MAIN GEARBOX
151	1	422462	GEAR	FIXING GEAR FOR REVERSE
152	1	422463	AKSEL	FIXING GEAR SHAFT FOR REVERSE
153	1	422464	PLADE	FIXING GEAR PLATE FOR REVERSE
154	1	422465	LÅSEMØTRIK FLANGE M8	HEX FLANGE FACE LOCKING NUT M8
155	1	422466	GEAR	MIDDLE COVER OF MAIN GEARBOX
156	1	422467	TÆTNINGSRING	WASHER FOR OIL PLUG
157	1	422468	OLIEPROP M12X1.5	OIL PLUG M12*1.5
158	1	422469	MANCHET	CLUTCH LEVEL
159	1	422470	STANG TIL KOBLING	BUSHING FOR CLUTCH LEVEL
161	1	422471	KABELHOLDER	ARM FOR CLUTCH CABLE FIXED
162	1	422472	DØLLE	CLUTCH CABLE FIXING HEAD
163	2	422473	SKRUE M5*8	CONCAVE END SET SCREW M5*8
64	2	422380	FJEDERSKIVE 8	SPRING WASHER 8
44	2	422361	BOLT M8X30	HEXAGON BOLT M8*30 (GRADE 8.8)
164	1	422474	O-RING	O-RINGS
165	1	422475	OLIEPIND	DIPSTICK
166	1	422476	OLIEPROP	DIPSTICK COVER
167	1	425268	QUICK KOBLING	
168	2	422477	SKIVE 12	WASHER 12
169	2	422478	FJEDERSKIVE 12	SPRING WASHER 12
170	2	422479	BOLT M12X35	HEXAGON BOLT M12*35
171	1	422480	KOBLINGSHUS	QUICKLY CONNECT OUTSIDE BUSHING
172	1	422481	NIPPEL	OIL PLUG M8
173	1	422482	AKSEL	LOCATED PIN
174	1	422483	FJEDER	PRESSING SPRING FOR QUICKLY CONNECT
175	1	422484	BØS	STEP BUSHING FOR QUICKLY CONNECT
176	1	422485	PIN 4*16	ELASTIC PIN 4*16
177	1	422486	GREB	LOCKING HANDLEBAR FOR QUICKLY CONNECT
178	1	422487	KOBLINGSKABEL	MAIN CLUTCH CABLE



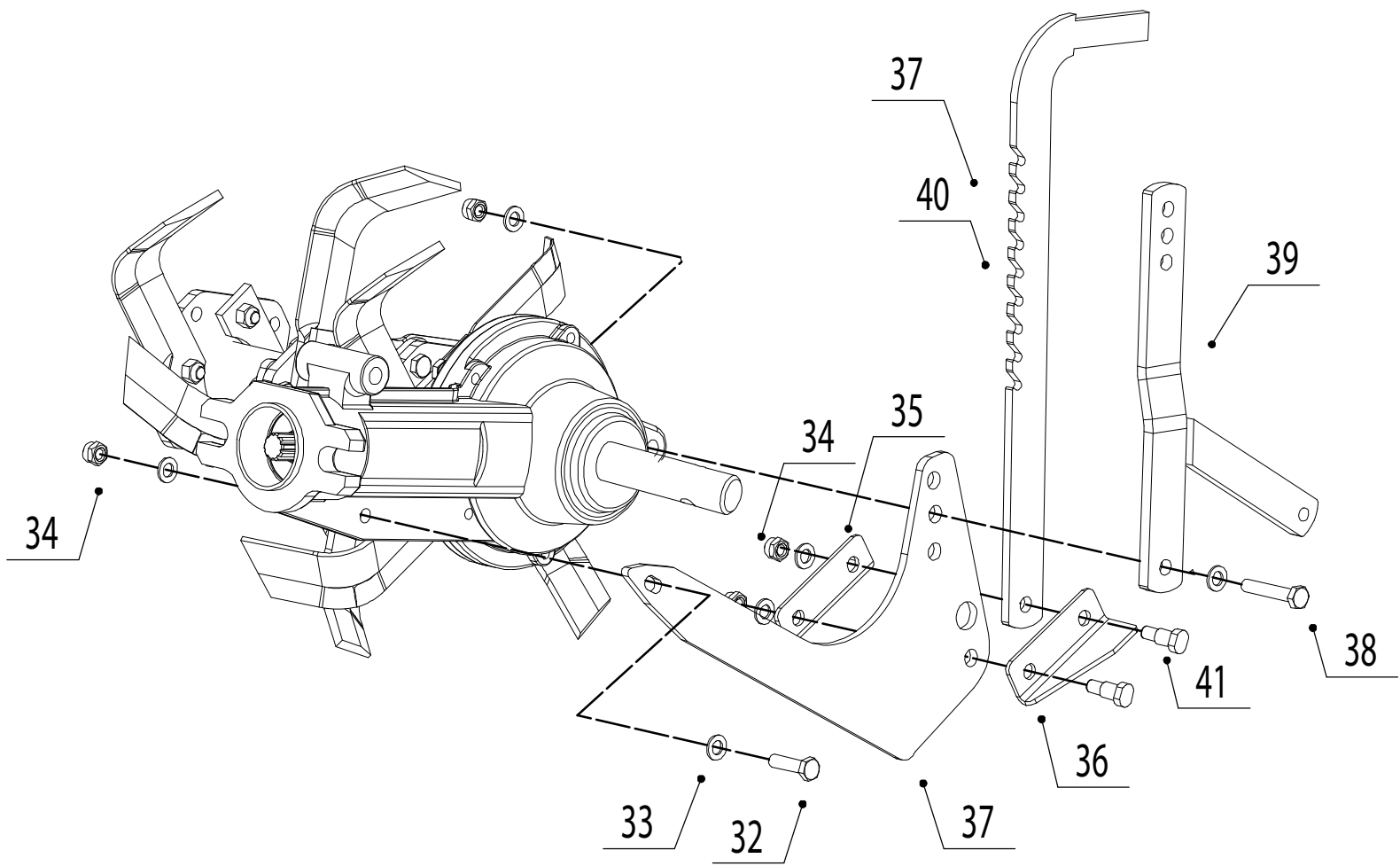
POS	QTY	PARTNUMBER	BESKRIVELSE	DESCRIPTION
211	1	422488	LEJE 51204	BEARING 51204
179	1	TG920ES-1	POWERLINE TG920ES	
181	1	422490	CHASSIS BENZIN	CHASSIS BENZIN
183	4	422491	BOLT 8.8 M10X40	BOLT M10X40
20	8	422336	SKIVE 10	WASHER 10
184	12	418055	STÅLMØTRIK 8.8 M10	STEEL NUT M10
185	1	422493	KOBLING KPL.	CLUTCH
186	1	422494	LEJE 6004HRB	BEARING 6004HRB
187	1	422495	LÅS FOR LEJE	LOCK
188	1	422496	FLANGE	COLLAR
189	8	90102748	SÆTBOLT 8.8 FZ M8X40	SET BOLT M8X40
64	9	422380	FJEDERSKIVE 8	SPRING COLLAR 8
190	2	422497	HJUL KOMPLET	WHEEL KOMPLET
191	2	422498	HJULFLANGE	COLLAR
62	8	422378	BOLT M10X25	BOLT M10X25
20	8	422336	SKIVE 10	WASHER 10
168	8	422499	BOLT M12X30	BOLT M12X30
171	8	422478	FJEDERSKIVE 12	SPRING COLLAR 12
193	8	422500	BOLT M6X30 M6X30	BOLT M6X30
126	4	422398	FJEDERSKIVE 6	SPRING COLLAR 6
195	1	422502	HOLDER BATTERI BENZIN	HOLDER BENZIN
196	1	422504	BATTERI BENZIN 12V/9AH	BATTERY 12V/9AH
198	1	422505	HOLDER BATTERI TOP	HOLDER TOP
199	2	422506	BOLT M8X220	BOLT M8X220
31	5	422347	SKIVE M8 X 17 X 0,01	WASHER M8 X 17 X 0,01
18	2	90100692	LÅSEMØTRIK 8.8 M8 FZ	LOCKING NUT M8 FZ
200	2	422358	UNBRAKOBOLT M6X20	ALLEN BOLT M6X20
201	1	422507	SKÆRM	GUARD
202	1	422508	HOLDER	HOLDER
203	1	422509	DÆKSEL	LID
204	1	422510	LÅG	LID
205	1	422511	FJEDER	SPRING
206	1	422512	KNAP	BUTTON
207	1	422513	SKÅL	PAN
208	1	422514	DÆKSEL	LID
209	1	422515	SKRUE M8X25	SCREW M8X25
210	4	422516	SKRUE M8X40	SCREW M8X40
212	1	422517	START KONTAKT	STARTER
214	1	422519	LEDNINGSNET BENZIN BENZIN	SWITCH BENZIN
215	1	422536	LEDNING PLUS	CABLE PLUS
216	1	422537	LEDNING MINUS	CABLE MINUS
217	1	417982	STÅLBOLT 8.8 M8X16	STEEL BOLT M8X16



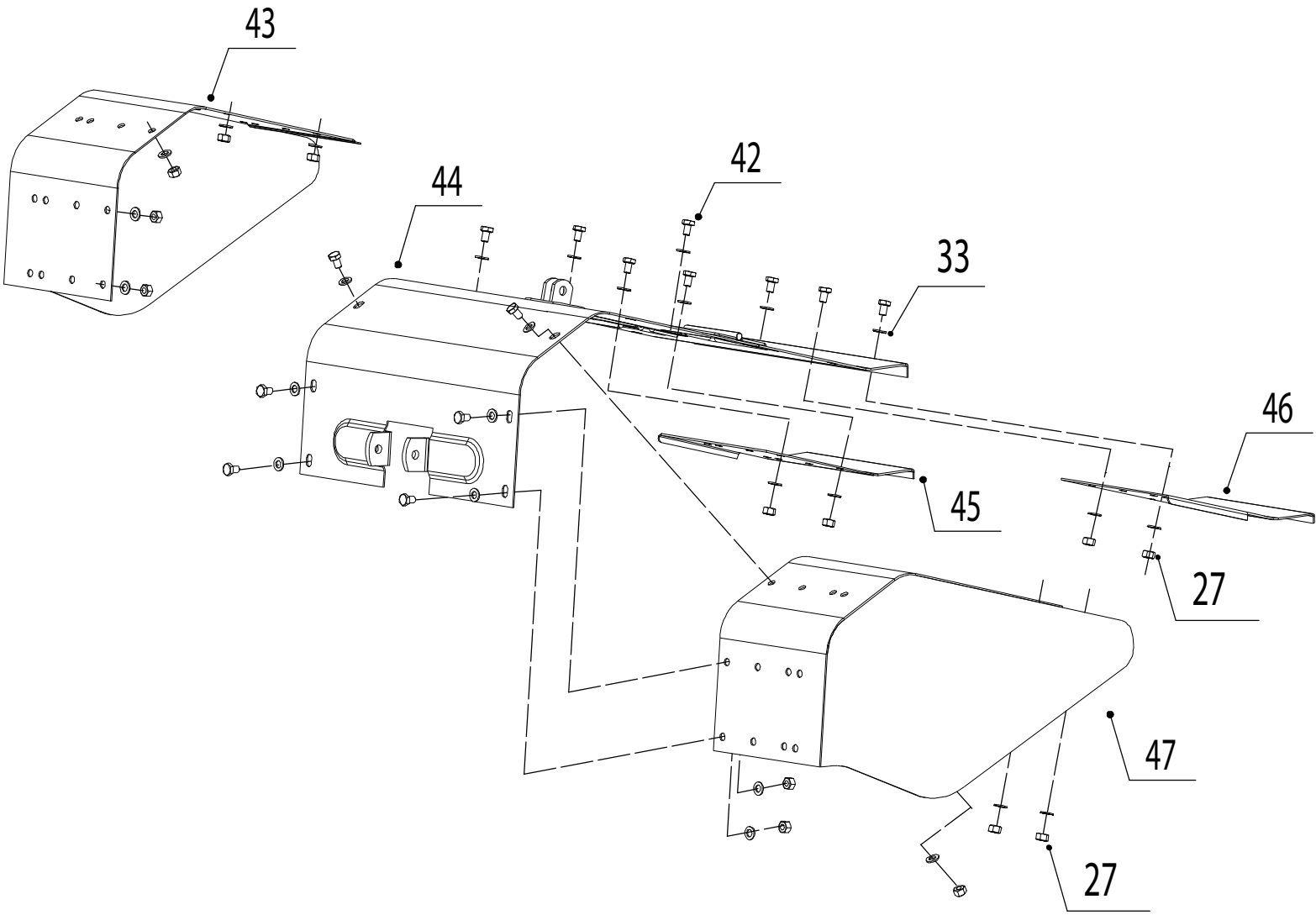
POS	QTY	PARTNUMBER	BESKRIVELSE	DESCRIPTION
1	1	422539	GEARHUS VENSTRE	LEFT COVER OF GEARBOX
2	1	422540	SEEGERRING 47	CIRCLIP FOR HOLE 47
3	1	422541	PAKDÅSE 10*47*8	SEALING 10*47*8
4	2	422542	PAKDÅSE 25*52*8	SEALING 25*52*8
5	2	422543	LEJE 6305	BEARING 6305
6	1	422544	BØS	BUSHING FOR THE BIG GEAR
7	1	422545	AKSEL GEAR	BIG BEVEL GEAR AXIS
8	1	422546	KRONHJUL GEAR	BEVEL GEAR
9	1	422547	KRONHJUL AKSEL	SMALL BEVEL GEAR AXIS
10	1	422548	LEJE NKI25-20	BEARING NKI25-20
11	1	422549	SKIVE	WASHER FOR SMALL BEVEL GEAR AXIS
12	1	422550	SEEGERRING 25	CIRCLIP FOR SHAFT 25
13	1	422551	LEJE 6204	BEARING 6204
14	1	422552	SEEGERRING 65MN	CIRCLIP FOR SHAFT 20
15	1	422553	GEARHUS HØJRE	RIGHT COVER OF GEARBOX
16	1	422554	BOLT M8X12	HEXAGON BOLT M8*12
17	5	422555	FJEDERSKIVE 8	SPRING WASHER 8
18	5	422556	BOLT M8X25	HEXAGON BOLT M8*25



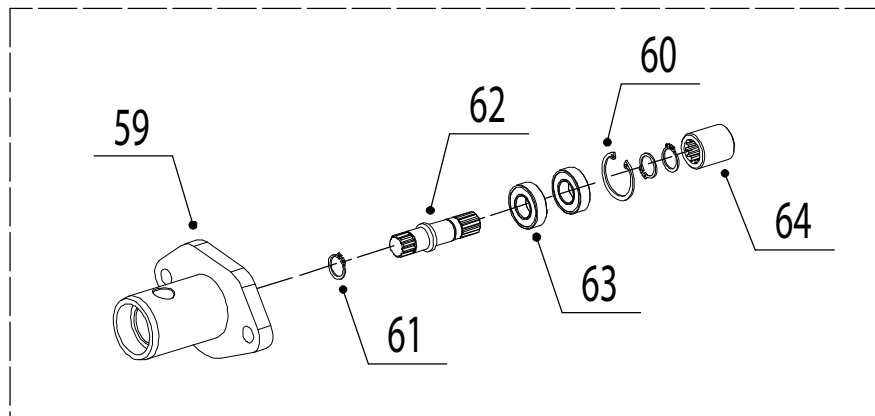
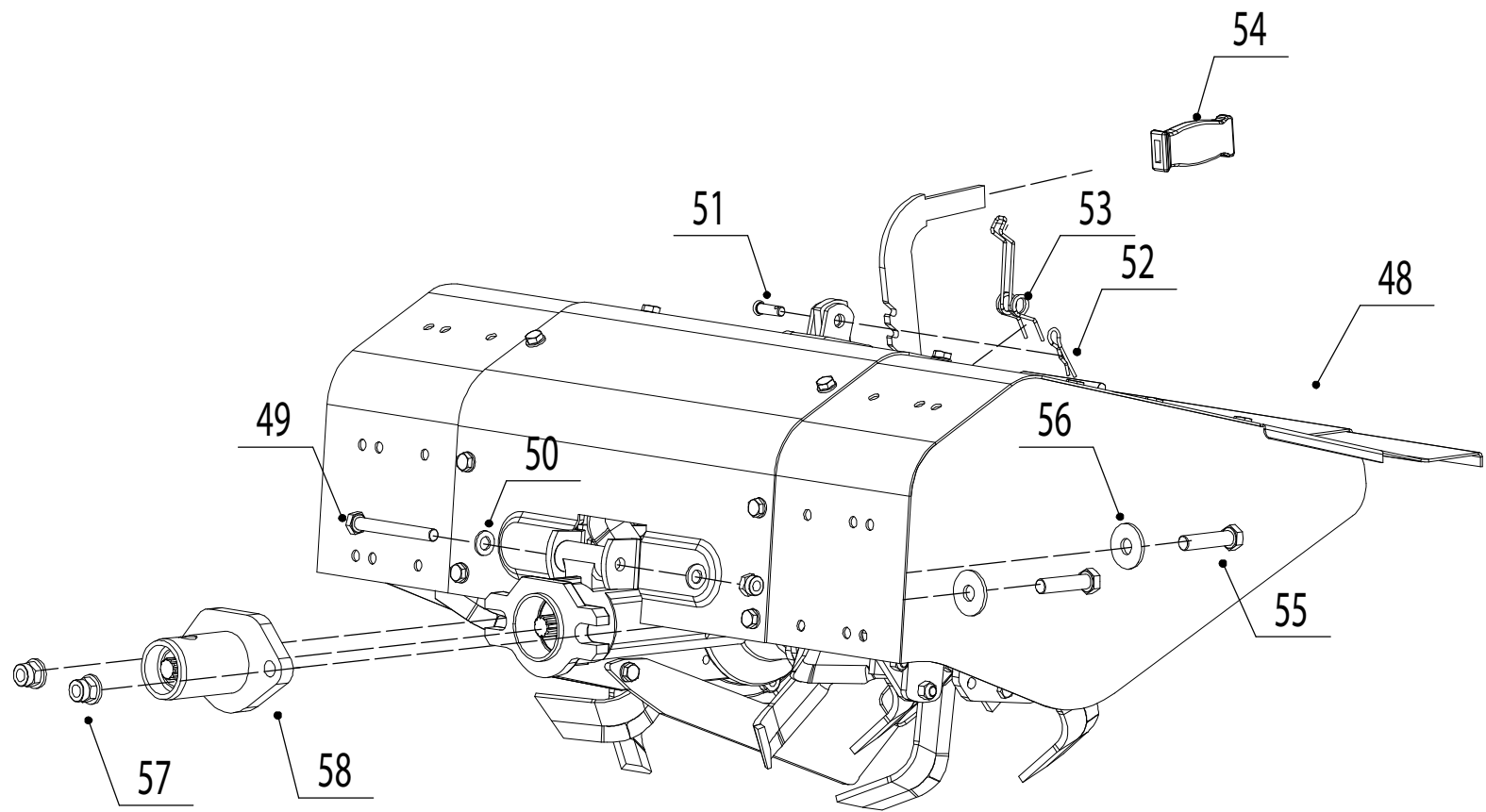
POS	QTY	PARTNUMBER	BESKRIVELSE	DESCRIPTION
19	1	422557	GEARHUS KOMPLET	GEARBOX ASSEMBLING
20	1	422558	KNIVSÆT INDRE HØJRE	RIGHT INNER KNIFE ASSEMBLING
21	1	422559	KNIVSÆT YDRE HØJRE	RIGHT OUTSIDE KNIFE ASSEMBLING
22	1	422560	KNIVSÆT INDRE VENSTRE	LEFT INNER KNIFE ASSEMBLING
23	1	422561	KNIVSÆT YDRE VENSTRE	LEFT OUTSIDE KNIFE ASSEMBLING
25	2	422562	BOLT M10*55	HEXAGON BOLT M10*55
26	2	422563	LÅSEMØTRIK M10*55	SELF-LOCKING NUT M10
27	32	422564	MØTRIK M8	NUT M8
28	2	422565	KNIVRØR INDRE	INNER KNIFE BRAKET
29	2	422566	KNIVRØR YDRE	OUTSIDE KNIFE BRAKET
30	10	422567	KNIVBLAD HØJRE	RIGHT BLADE
31	10	422568	KNIVBLAD VENSTRE	LEFT BLADE
32	24	422569	BOLT M8*30	HEXAGON BOLT M8*30
18	8	422556	BOLT M8X25	HEXAGON BOLT M8*25



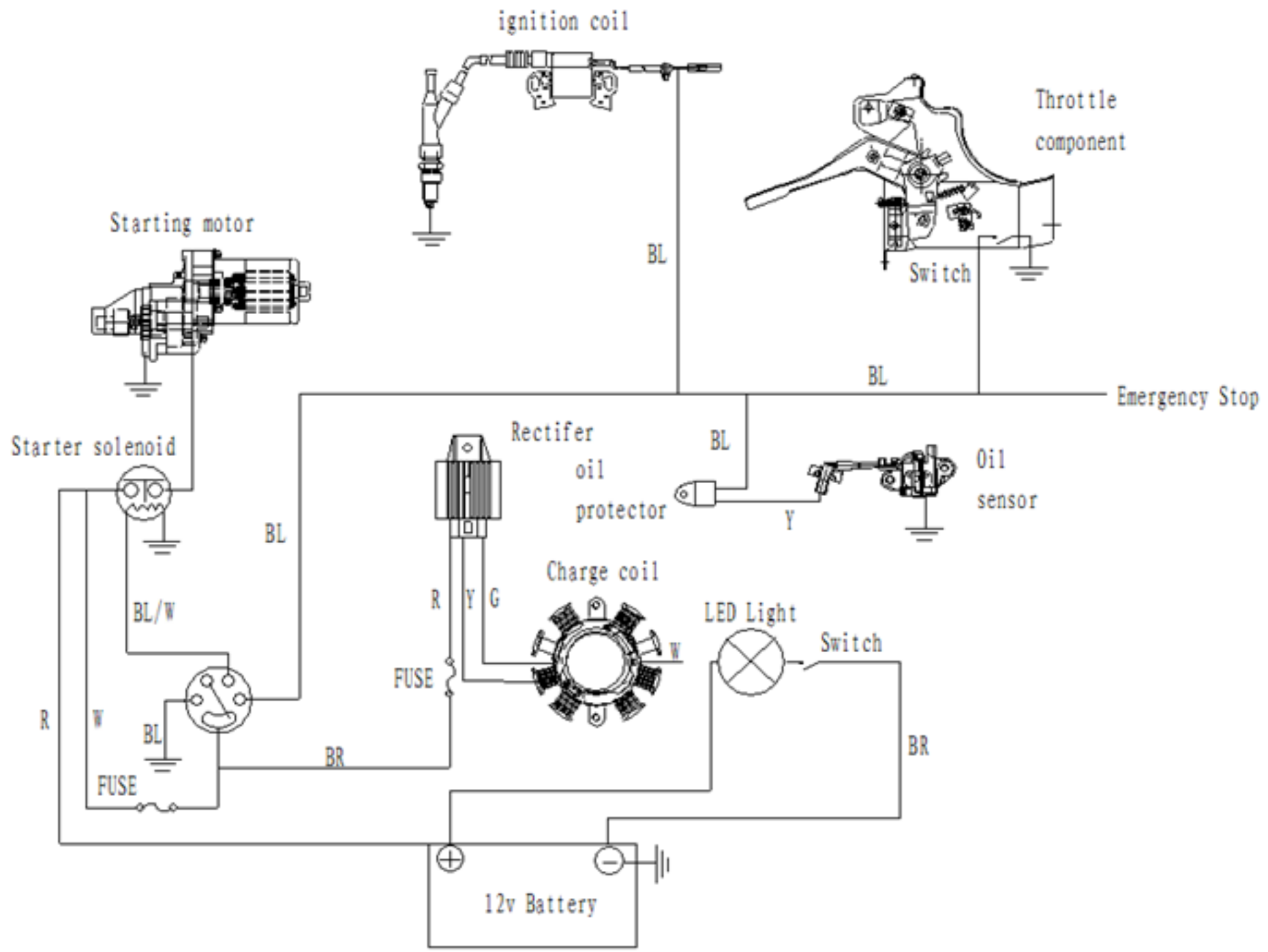
POS	QTY	PARTNUMBER	BESKRIVELSE	DESCRIPTION
32	1	422569	BOLT M8*30	HEXAGON BOLT M8*30
33	6	422570	SKIVE M8	WSAHER 8
34	4	422571	LÅSEMØTRIK M8	SELF-LICKING NUT M8
35	1	422572	BESLAG A	CONNECT PART A
36	1	422573	BESLAG B	CONNECT PART B
37	2	422574	JORDSPYD	DEPTH SKID KNIFE
38	1	422575	BOLT M8X45	HEXAGON BOLT M8*45
39	1	422576	BESLAG FOR JORDSPYD	DEPTH SKID HANDLE
40	1	422577	JORDSPYD	DEPTH SKID ADJUSTING PART
41	2	422578	BOLT	BOLT MACHINED



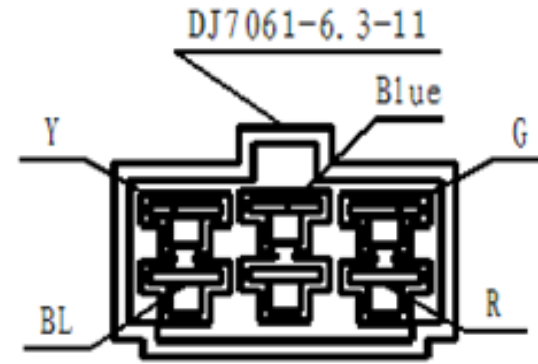
POS	QTY	PARTNUMBER	BESKRIVELSE	DESCRIPTION
42	14	422579	BOLT M8X16	HEXAGON BOLT M8*16
43	1	422580	SIDESKÆRM HØJRE	RIGHT KNIFE GUARD
44	1	422581	SKÆRM MIDT	MAIN KNIFE GUARD
45	1	422582	FORLÆNGERSKÆRM HØJRE	RIGHT ADJUSTING GUARD
46	1	422583	FORLÆNGERSKÆRM VENSTRE	LEFT ADJUSTING GUARD
47	1	422584	SIDESKÆRM VENSTRE	LEFT KNIFE GUARD
27	14	422564	MØTRIK M8	NUT M8
33	28	422570	SKIVE M8	WSAHER 8



POS	QTY	PARTNUMBER	BESKRIVELSE	DESCRIPTION
48	1	422585	SKÆRM KOMPLET	COVER ASSEMBLING
49	1	422586	BOLT M10X90	HEXAGON BOLT M10*90
50	2	422587	SKIVE 10	WSAHER 10
26	1	422563	LÅSEMØTRIK M10*55	SELF-LOCKING NUT M10
51	1	422588	PIN 8X25	PIN 8X25
52	1	422589	FJEDERSPLIT	CRAMB
53	1	422590	FJEDER	SPRING FOR PRO TILLER
54	1	422591	HÅNDTAG 20X4	RUBBER HANDLEBAR
55	2	422592	BOLT M20X50	HEXAGON BOLT M12*50
56	2	422593	SKIVE 12*24*3	BIG WASHER 12*24*3
57	2	422594	LÅSEMØTRIK M12	HEX FLANGE FACE LOCKING NUT M12
58	1	422595	QVIKKOBLING KPL. KOMPLET	QUICKJOINT ASSEMBLY
59	1	422596	QVIKKOBLINGSHUS	INNER SLEEVE FOR QUICKJOINT
60	1	422597	SEEGERRING ?35	CIRCLIP FOR HOLE 35
61	3	422598	SEEGERRING 17	CIRCLIP FOR SHAFT 17
62	1	422599	AKSEL	SPLINE SHAFT
63	2	422600	LEJE 6003	BEARING 6003
64	1	422601	SPLINEBØS	SPLINE SLEEVE



BL	Black	G	Green
Y	Yellow	BL/W	Black/White
W	White	BR	Brown
R	Red		



	BR/W		BL/W	BL	BL
ON	○—○				
OFF				○—○	
OPEN	○—○—○				

