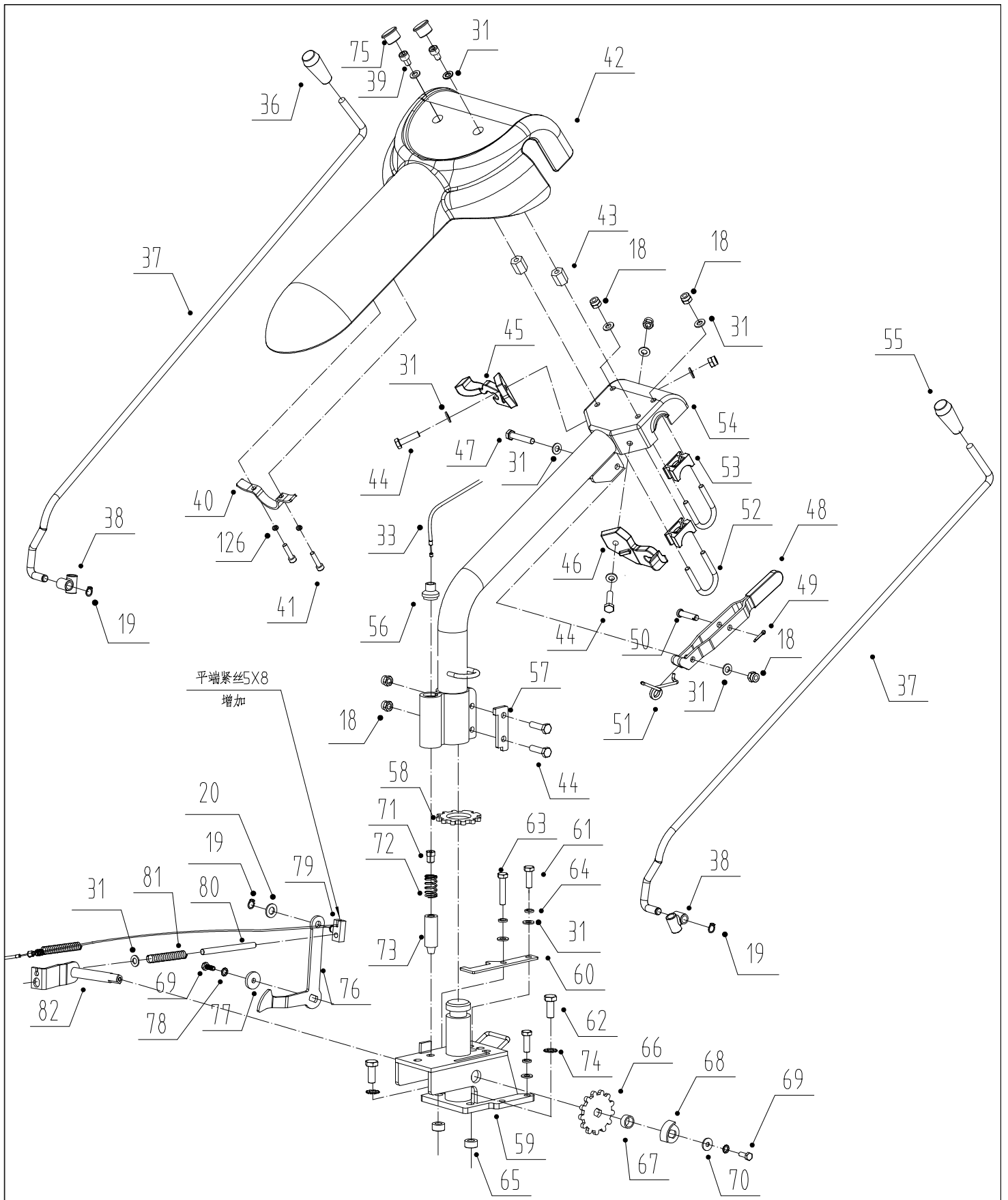


Pro Trac 750

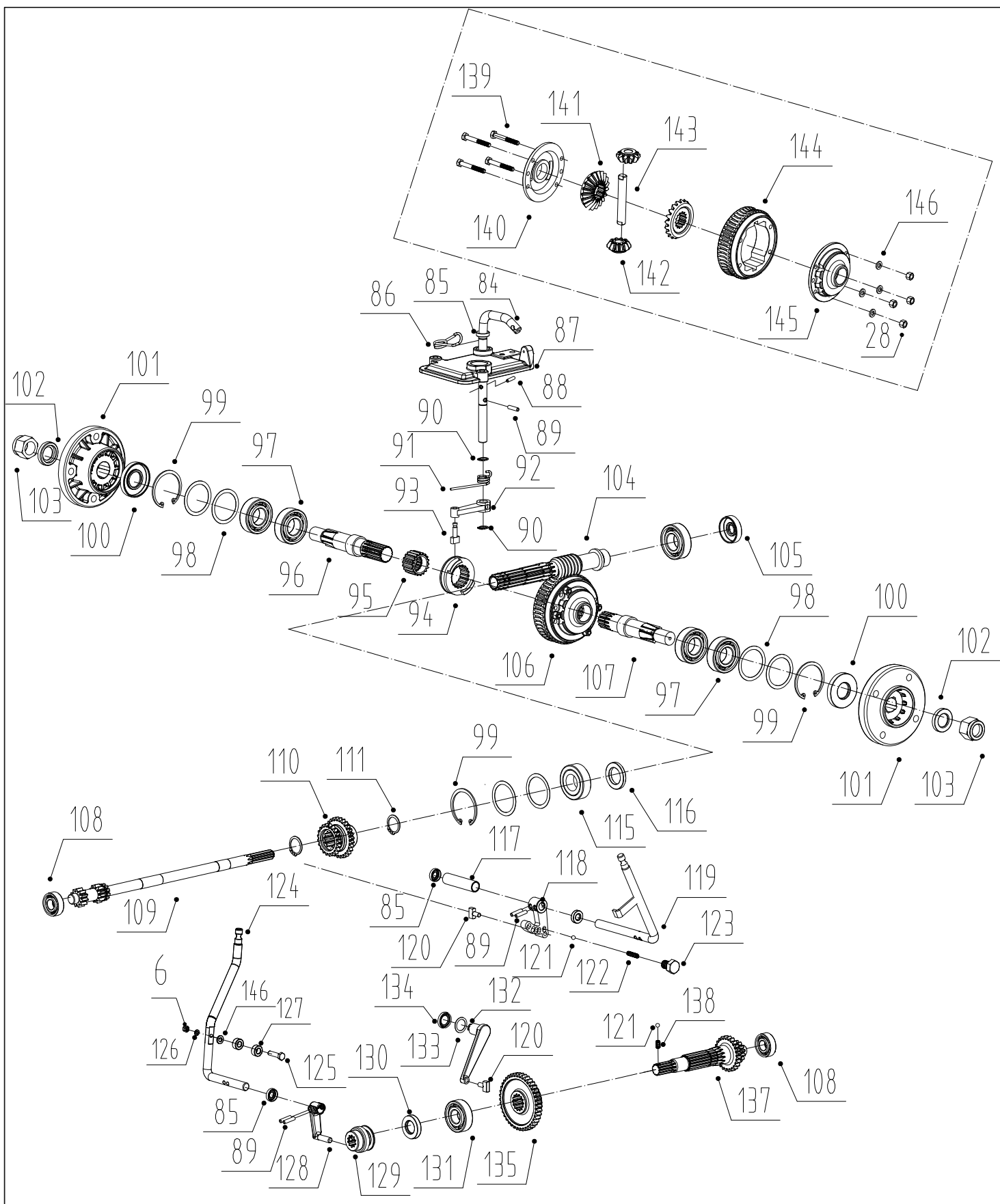
POS	QTY	PARTNUMBER	BESKRIVELSE	DESCRIPTION
1	1	422317	HÅNDTAG HØJRE	RIGHT HANDLE GRIP (PVC)
2	1	422318	HÅNDTAG VENSTRE	LEFT HANDLE GRIP (PVC)
3	2	422319	KOBLINGSGREB	CLUTCH HANDLE
4	1	422320	KOBLINGSKABEL	CABLE FOR DIFFERENTIAL MECHANISM
5	2	422321	BOLT M6X30	HEXAGON BOLT M6*30
6	2	422322	LÅSEMØTRIK M6	SELF-LOCKING NUT M6
7	1	422323	OVERSTYR PRO	HANDLE FOR PEO TRAC
8	1	422324	SKRUE ST4*10	CRUCIFORM SLOT SCREW ST4*10
9	1	422325	KABEL	FLAMOUT CABLE FOR PRO750D(950D) /THROTTL
10	1	422326	LEDNING	FLAMOUT WIRE
11	1	422327	KONTAKT	SWITCH ALWAYS OPEN
12	1	422328	HOLDER	BASE FOR START HANDLE
13	1	422329	FJEDER	SPRING FOR START HANDLE
14	1	422330	PIN 4*28	PIN FOR START HANDLE4*28
15	1	422331	DØDMANDSGREB	START HANDLE (RED)
16	1	422685	KABEL	FORWARD AND REVERSE CONTROLLED CABLE FOR
17	1	422686	KABEL	FORWARD AND REVERSE CONTROLLED CABLE BAS
18	2	422571	LÅSEMØTRIK M8	SELF-LICKING NUT M8
19	1	422335	SEEGERRING 10	CIRCLIP FOR SHAFT 10
20	1	422587	SKIVE 10	WASHER 10
21	1	422337	FJEDER	RESET TORSIONAL SPRING
23	1	422339	HÅNDTAG	FORWARD AND REVERSE CONTROLLED HANDLE GR
24	1	422340	BØSNING 16X8.5X15	BUSHING ?16*?8.5*15
25	1	422341	BASE	BASE
26	1	422575	BOLT M8X45	HEXAGON BOLT M8*45
27	1	422343	GASREGULERING	GASLEVER
28	2	422344	MØTRIK M6	HEXAGON NUT M6
29	1	422345	GASKABEL	THROTTLE CABLE FOR PRO750D/PRO950D
30	2	422346	SEEGERRING 8	CIRCLIP FOR SHAFT 8
31	1	422570	SKIVE M8	WSAHER 8
32	1	422348	GREB	TURNING CONTROLLED HANDLE
33	1	422349	KABEL	TURNING CONTROLLED CABLE
34	1	422350	BØS	AXIS FOR TURNING CONTROLLED HANDLE
35	1	422351	SKRUE M6*6	CONCAVE END SET SCREW M6*6
49	1	422338	GEARARM	FORWARD AND REVERSE CONTROLLED HANDLE
83	1	422352	SKIVE 4	BIG WASHER 4



Pro Trac 750

POS	QTY	PARTNUMBER	BESKRIVELSE	DESCRIPTION
18	7	422571	LÅSEMØTRIK M8	SELF-LICKING NUT M8
19	3	422335	SEEGERRING 10	CIRCLIP FOR SHAFT 10
20	1	422587	SKIVE 10	WASHER 10
31	16	422570	SKIVE M8	WSAHER 8
36	1	422353	GREB RØD	GRIP(RED)
37	2	422354	ARM	GEAR CHANGE BAR
38	2	422355	HOLDER	CONNECT JOINT
39	2	422356	UNBRAKOBOLT M8*10	HEXAGON SOCKET CAP SCREW M8*10
40	1	422357	BESLAG	BUMPER BLOCK
41	2	422358	UNBRAKOBOLT M6X20	HEXAGON SOCKET CAP SCREW M6*20
42	1	422359	SKÆRM PRO	HANDLE COVER
43	2	422360	BØSNING	HEXAGON FIXED BUSHING
44	4	422569	BOLT M8*30	HEXAGON BOLT M8*30
45	1	422362	HOLDER HØJRE	RIGHT GUIDE BASE
46	1	422363	HOLDER VENSTRE	LEFT GUIDE BASE
47	2	422575	BOLT M8X45	HEXAGON BOLT M8*45
48	1	422365	ARM	ADJUSTING HANDLE
49	2	422366	PIN 4	OPEN STOP PIN 4
50	1	422367	PIN 8*45	PIN 8*45
51	1	422368	FJEDER	SPRING FOR ADJUSTING HANDLE
52	2	422369	GEVINDBØJLE	U SHAPE BOLT
53	2	422370	STYRHOLDER	BASE FOR U SHAPE BOLT
55	1	422371	GREB SORT	GRIP(BLACK)
56	1	422372	BØS	BASE FOR TURNING CONTROLLED CABLE
57	1	422373	PLADE	LOCKING PLATE
58	1	422374	TANDHJUL	TURNING GEAR 1
59	1	422722	KONSOL	HANDLE BASE
60	1	422376	BESLAG	BUMPER PLATE
61	2	422556	BOLT M8X25	HEXAGON BOLT M8*25
62	2	422378	BOLT M10*25	HEXAGON BOLT M10*25 (GRADE 8.8)
63	1	422379	BOLT M8X40	HEXAGON BOLT M8*40 (GRADE 8.8)
64	3	422555	FJEDERSKIVE 8	SPRING WASHER 8
65	2	422381	BØSNING 18X10*8.7	BUSHING ?18*?10*8.7
66	1	422382	TANDHJUL	TURNING GEAR 1
67	1	422383	BØSNING	BUSHING FOR TURNING GEAR
68	1	422384	PLADE	LIMIT BLOCK SLICE
69	2	422385	BOLT M6*16	HEXAGON BOLT M6*16 (GRADE 8.8)
70	1	422386	SKIVE 6	BIG WASHER 6
71	1	422350	BØS	AXIS FOR TURNING CONTROLLED HANDLE
72	1	422387	FJEDER	SPRING FOR LOWER HANDLE TURNING
73	1	422388	HOLDER	FIXED SHAFT
74	1	422389	TANDSKIVE YDRE 10	EXTERNAL TEETH LOCK WASHER 10

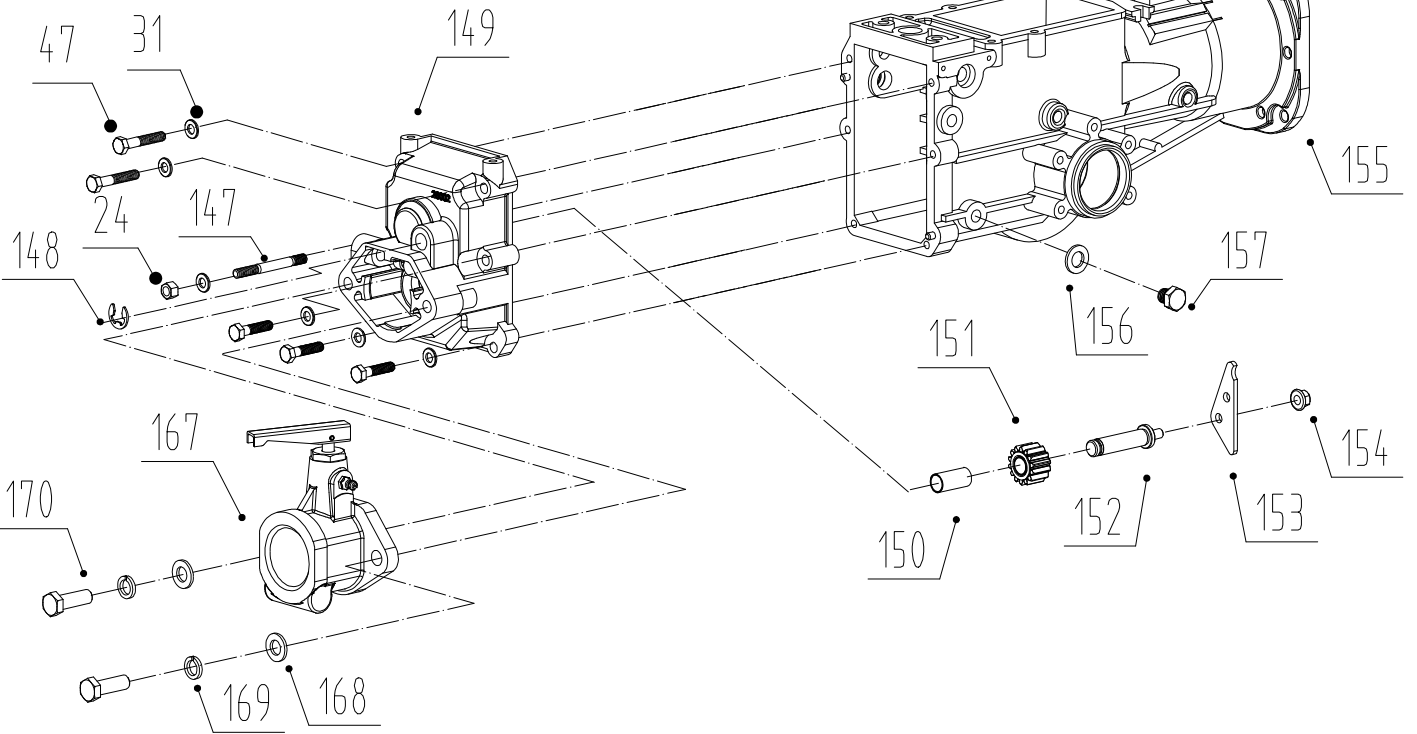
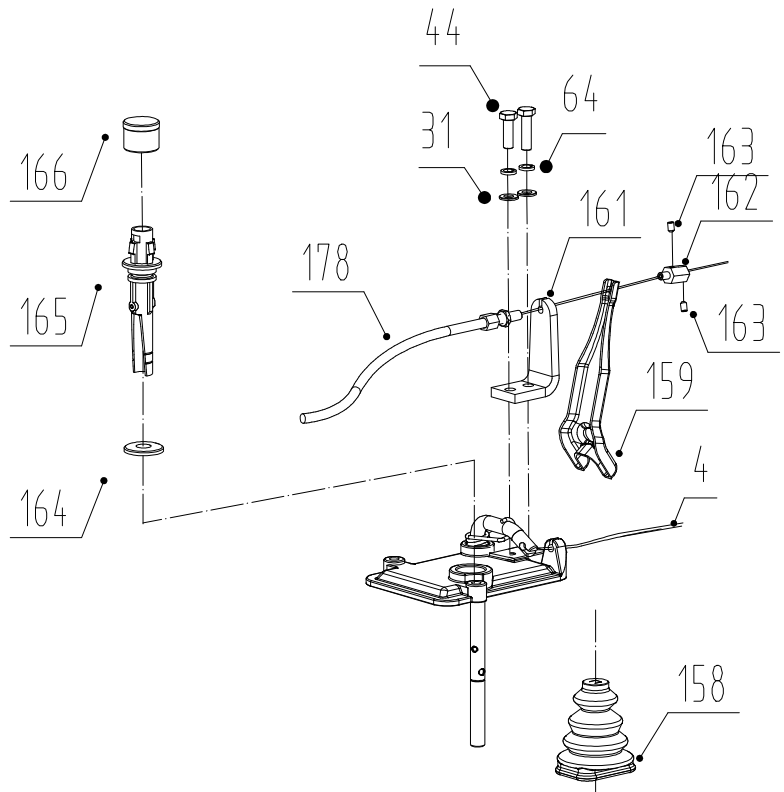
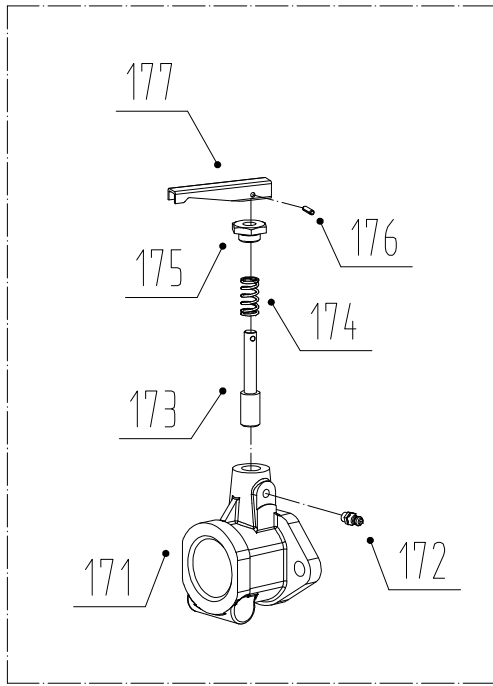
POS	QTY	PARTNUMBER	BESKRIVELSE	DESCRIPTION
75	2	422390	HÆTTE	BOLT HAT
76	1	422391	JUSTER ARM	ADJUSTING ARM
77	1	422392	SKIVE	BLOCK SLICE
78	2	422393	TANDSKIVE YDRE 6	EXTERNAL TEETH LOCK WASHER 6
79	1	422394	FORBINDER	GUIDE BLOCK
80	1	422395	AKSEL	GUIDE AXIS
81	1	422396	FJEDER	PRESSING SPRING FOR PRO950(750)
82	1	422397	ARM	ROCKER WELDED PART
126	2	422398	FJEDERSKIVE 6	SPRING WASHER 6



Pro Trac 750

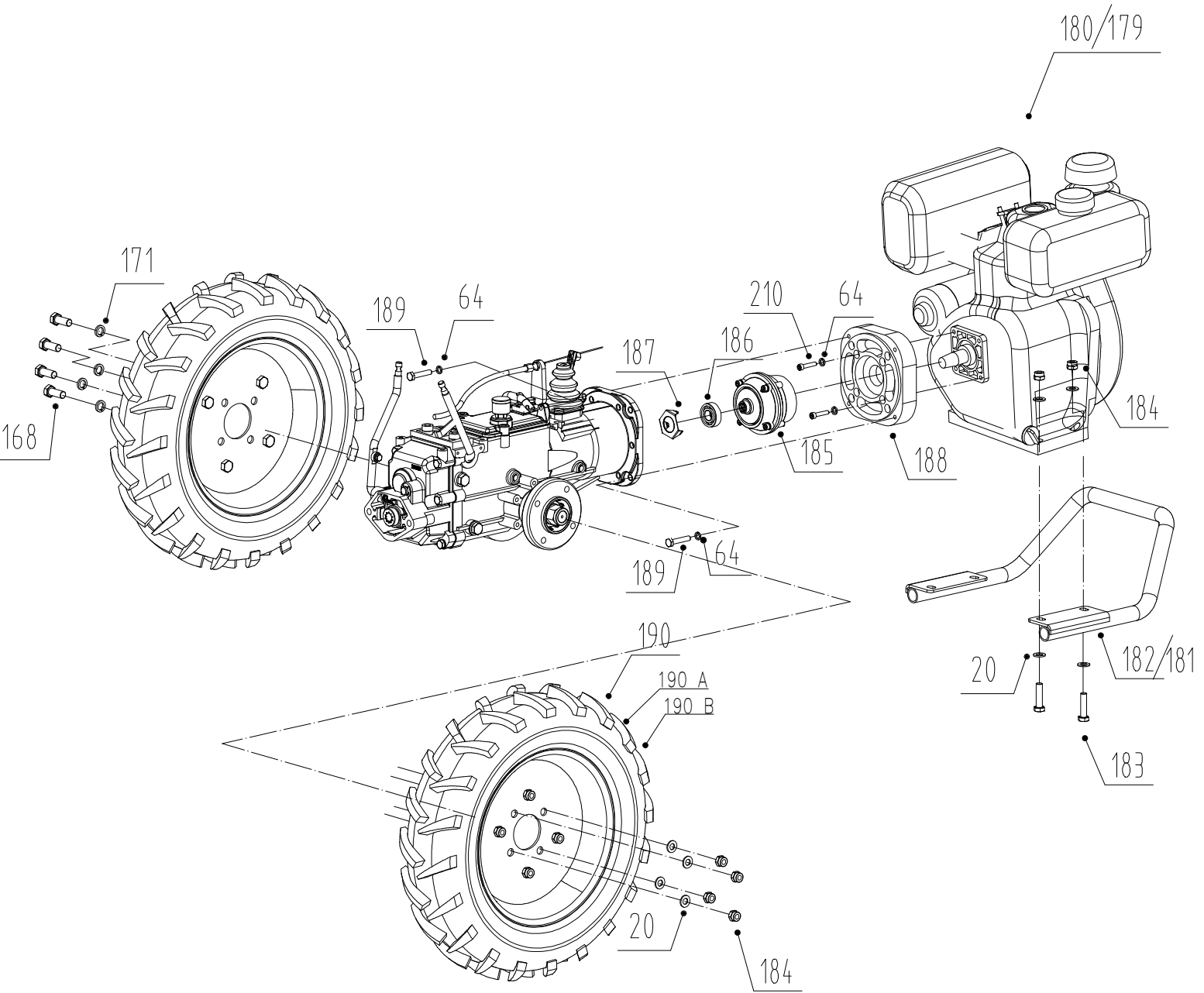
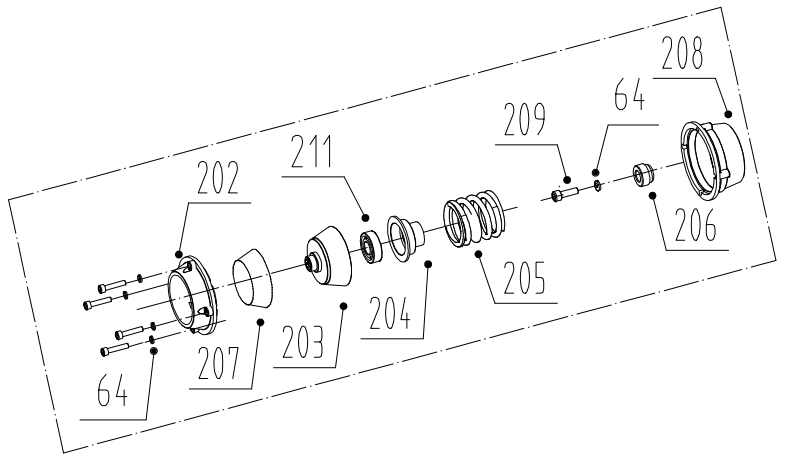
POS	QTY	PARTNUMBER	BESKRIVELSE	DESCRIPTION
6	1	422322	LÅSEMØTRIK M6	SELF-LOCKING NUT M6
84	1	422399	STANG	DIFFERENTIAL MECHANISM FORK BAR
85	3	422400	PAKDÅSE 12*19*5	SEALING12*19*5
86	1	422401	FJEDER	SPRING FOR DIFFERENTIAL MECHANISM
87	1	422402	DÆKSEL	UP COVER OF MAIN GEARBOX
88	1	422403	PIN 4*20	ELASTIC PIN 4*20
89	5	422404	PIN 5*20	ELASTIC PIN 5*20
90	2	422405	SEEGERRING 12	CIRCLIP FOR SHAFT 12
91	1	422406	FJEDER	TORSIONAL SPRING
92	1	422407	ARM	DIFFERENTIAL MECHANISM FORK
93	1	422408	SKIFTEARM	SHIFTING BLOCK TB 1
94	1	422409	TANDHJUL	CONNECT BUSHING FOR DIFFERENTIAL MECHAN
95	1	422410	TANDHJUL	SPLINE BUSHINGFOR LEFT HALF SHAFT
96	1	422756	AKSEL VENSTRE	LEFT HALF SHAFT
97	5	422412	LEJE 6205	BEARING 6205
98	6	422413	SKIVE	ADJUSTING WASHER FOR BEARING
99	3	422414	SEEGERRING 52	CIRCLIP FOR HOLE 52
100	2	422542	PAKDÅSE 25*52*8	SEALING 25*52*8
101	2	422416	NAVFLANGE	HUB
102	2	422417	BØS	HUB BUSHING
103	2	422418	LÅSEMØTRIK M20	SELF-LOCKING NUT M20
104	1	422419	AKSEL	WORM SHAFT(SHAFT ?)
105	1	422420	PAKDÅSE 15*40*10	SEALING 15*40*10
106	1	422765	TANDHJUL	WORM ASSEMBLING
107	1	422766	AKSEL HØJRE	RIGHT HALF SHAFT
108	2	422422	LEJE 6202	BEARING 6202
109	1	422423	AKSEL	SHAFT?
110	1	422769	TANDHJUL	MOVING GEAR
111	2	422550	SEEGERRING 25	CIRCLIP FOR SHAFT 25
115	1	422429	LEJE 7205B	BEARING 7205B
116	1	422430	SKIVE	BEARING PAD
117	1	422431	BØS	RANGE GEAR SHIFT FORK BUSHING
118	1	422432	ARM	RANGE GEAR SHIFT FORK
119	1	422433	STANG	RANGE GEAR SHIFT FORK BAR
120	2	422434	FØLER	SHIFTING BLOCK TB 2
121	2	422435	KUGLE 6.35	STEEL BALL 6.35
122	1	422436	FJEDER	MAIN LIMIT SPRING
123	1	422437	BOLT M12X17	MAIN LIMIT BOLT M12*17
124	1	422438	STANG	ACCESAARY CLUTCH FORK BAR
125	2	422500	BOLT M6X30 M6X30	HEXAGON SOCKET CAP SCREW M6*30
126	1	422398	FJEDERSKIVE 6	SPRING WASHER 6
127	2	422439	LEJE 607	BEARING 607

POS	QTY	PARTNUMBER	BESKRIVELSE	DESCRIPTION
128	1	422440	ARM	ACESAARY CLUTCH FORK
129	1	422441	TANDHJUL	ACCESAARY CUTCH BUSHING
130	1	422442	PAKDÅSE 120*35*7	SEALING 120*35*7
131	1	422551	LEJE 6204	BEARING 6204
132	1	422444	ARM	RANGE GEAR SHIFT FORK
133	1	422445	BØS	BUSHING FOR RANGE GEAR SHIFT FORK
134	1	422446	LEJE 16*24*5	BEARING 16*24*5
135	1	422447	GEAR	MOVING GEAR ON SHAFT ?
137	1	422788	AKSEL	SHAFT ?
138	1	422450	FJEDER	SPRING FOR ACCESAARY CUTCH BUSHING
139	4	422451	BOLT M6*45	HEXAGON BOLT M6*45
140	1	422452	SKÅL VENSTRE	DIFFERENTIAL MECHANISM LEFT COVER
141	2	422453	TANDHJUL	BIG BEVAL GEAR IN DIFFERENTIAL MECHANISM
142	2	422454	TANDHJUL	SMALL BEVAL GEAR IN DIFFERENTIAL MECHANISM
143	1	422455	AKSEL	SHAFT IN DIFFERENTIAL MECHANISM
144	1	422456	TANDHJUL	WORM IN DIFFERENTIAL MECHANISM
145	1	422457	SKÅL HØJRE	DIFFERENTIAL MECHANISM RIGHT COVER
146	5	422386	SKIVE 6	BIG WASHER 6



Pro Trac 750

POS	QTY	PARTNUMBER	BESKRIVELSE	DESCRIPTION
24	1	422564	MØTRIK M8	NUT M8
31	8	422570	SKIVE M8	WSAHER 8
44	2	422569	BOLT M8*30	HEXAGON BOLT M8*30
47	5	422575	BOLT M8X45	HEXAGON BOLT M8*45
64	2	422555	FJEDERSKIVE 8	SPRING WASHER 8
147	1	422459	PINBOLT	STUD
148	1	422460	LÅSERING	OPEN LOCK CIRCLIP12
149	1	422461	HUS	BACK COVER OF MAIN GEARBOX
151	1	422462	GEAR	FIXING GEAR FOR REVERSE
152	1	422463	AKSEL	FIXING GEAR SHAFT FOR REVERSE
153	1	422464	PLADE	FIXING GEAR PLATE FOR REVERSE
154	1	422465	LÅSEMØTRIK FLANGE M8	HEX FLANGE FACE LOCKING NUT M8
155	1	422466	GEAR	MIDDLE COVER OF MAIN GEARBOX
156	1	422467	TÆTNINGSRING	WASHER FOR OIL PLUG
157	1	422468	OLIEPROP M12X1.5	OIL PLUG M12*1.5
158	1	422469	MANCHET	CLUTCH LEVEL
159	1	422470	STANG TIL KOBLING	BUSHING FOR CLUTCH LEVEL
161	1	422471	KABELHOLDER	ARM FOR CLUTCH CABLE FIXED
162	1	422472	DØLLE	CLUTCH CABLE FIXING HEAD
163	2	422473	SKRUE M5*8	CONCAVE END SET SCREW M5*8
164	1	422474	O-RING	O-RINGS
165	1	422475	OLIEPIND	DIPSTICK
166	1	422476	OLIEPROP	DIPSTICK COVER
167	1	425268	QUICK KOBLING	
168	2	422477	SKIVE 12	WASHER 12
169	2	422478	FJEDERSKIVE 12	SPRING WASHER 12
170	2	422479	BOLT M12X35	HEXAGON BOLT M12*35
171	1	422480	KOBLINGSHUS	QUICKLY CONNECT OUTSIDE BUSHING
172	1	422481	NIPPEL M8	OIL PLUG M8
173	1	422482	AKSEL	LOCATED PIN
174	1	422483	FJEDER	PRESSING SPRING FOR QUICKLY CONNECT
175	1	422484	BØS	STEP BUSHING FOR QUICKLY CONNECT
176	1	422485	PIN 4*16	ELASTIC PIN 4*16
177	1	422486	GREB	LOCKING HANDLEBAR FOR QUICKLY CONNECT
178	1	422487	KOBLINGSKABEL	MAIN CLUTCH CABLE



POS	QTY	PARTNUMBER	BESKRIVELSE	DESCRIPTION
20	16	90102311	PLANSKIVE M10	FACE PLATE M10
62	8	422378	SÆTBOLT M10X25	SET BOLT M10X25
64	9	290500	FJEDERSKIVE M8	SPRING COLLAR M8
168	8	422499	BOLT M12X30	BOLT M12X30
171	8	422478	FJEDERSKIVE M12	SPRING COLLAR M12
179	1	TG720S-1	TG720S FOR PRO TRAC 750	
181	1	422830	CHASSIS BENZIN	CHASSIS BENZIN
183	4	422491	BOLT 8.8 M10X40	BOLT M10X40
184	12	422563	LÅSEMØTRIK M10	LOCKING NUT M10
185	1	422493	KOBLING KPL.	CLUTCH
186	1	422494	KUGLELEJE 20X42X12	BALL BEARING 20X42X12
187	1	422495	LÅS FOR LEJE	LOCK
188	1	422836	FLANGE	COLLAR
189	8	90102748	SÆTBOLT 8.8 M8X40	SET BOLT M8X40
190	2	422837	HJUL KOMPLET	WHEEL KOMPLET
190A	1	51205	DÆK 4.80/4.00-8	TYRE 4.80/4.00-8
190B	1	51254	SLANGE F/DÆK 3.50/4.00-8	HOSE 3.50/4.00-8
202	1	422508	HOLDER	HOLDER
203	1	422509	DÆKSEL	LID
204	1	422510	LÅG	LID
205	1	422511	FJEDER	SPRING
206	1	422512	BØS	BUSHING
207	1	422513	SKÅL	PAN
208	1	422514	DÆKSEL	LID
209	1	422515	SKRUE M8X25	SCREW M8X25
210	4	422516	SKRUE M8X40	SCREW M8X40
211	1	422488	KUGLELEJE 20X40X14	BALL BEARING 20X40X14